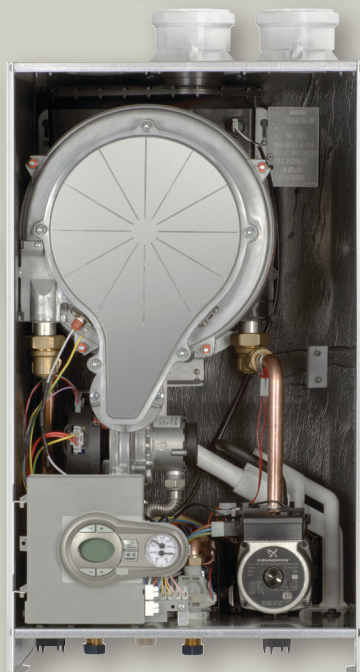


Williamson

FreeStyle™

Heat Only & Combi Models
80k & 120k Btuh Inputs
Natural or Propane Gas



Combi Boiler

Wall Mount Gas-Fired Condensing Boiler

- ❑ AFUE's Above 92%
- ❑ Single Tube Large Diameter Stainless Steel Heat Exchanger
- ❑ ASME Heat Exchanger
- ❑ Digital Display Honeywell Control
- ❑ Sentinel x100 Inhibitor & Test Kit
- ❑ Modulating Combustion
 - 10 to 1 Turndown Ratio
- ❑ Compact Design
- ❑ 24 VAC Thermostat Relay
- ❑ 2" or 3" Venting Options
- ❑ Quiet Operation
- ❑ Heat Only Models
 - Outdoor Reset
- ❑ Combi Models
 - Flat Plate Heat Exchanger
 - Domestic Priority
 - 3-Speed Circulator



RATINGS

Model (1)	Input MBH		AHRI Certified Ratings			Vent Outlet Diameter Inches (4)	Vent Material	Boiler Water Content (Gallons)	Approx. Shipping Weight (Lbs)
	Max	Min	DOE Heating Capacity MBH (2)	Net Water Rating MBH (3)	Seasonal Efficiency AFUE %				
FS-80 Heat only	80	8	73	63	92.4	3	PVC, CPVC, PP, SS	0.45	61
FS-120 Heat only	120	12	109	95	92.2	3	PVC, CPVC, PP, SS	0.55	64
FS-80 Combi	80	8	73	63	92.4	3	PVC, CPVC, PP, SS	0.53	70
FS-120 Combi	120	12	109	95	92.2	3	PVC, CPVC, PP, SS	0.63	77

Notes:

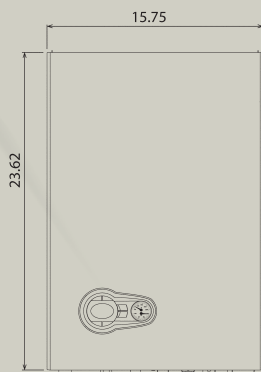
(1) Natural gas field convertible to LP with optional kit.

(2) Based on standard test procedures prescribed by the United States Department of Energy. MBH refers to thousands of Btu per hour.

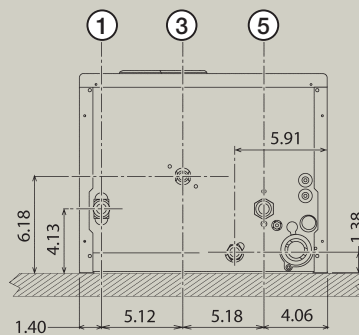
(3) Net AHRI ratings are based on net installed radiation of sufficient quantity for the requirement of the building and noting needs to be added for normal piping and pick-up. Ratings are based on piping and pick-up allowance of 1.15. An additional allowance should be made for unusual piping and pick-up loads.

(4) FreeStyle boilers must be vented directly to the outdoors. Reference boiler manual for detailed venting guidelines.

DIMENSIONS / CONNECTIONS



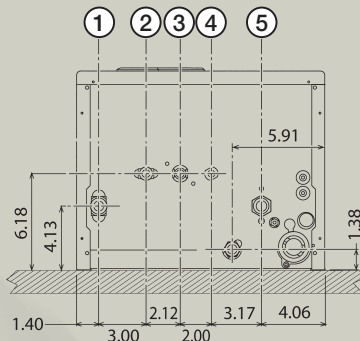
Front



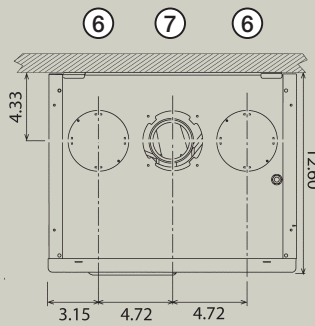
Heating Only Bottom



Heat Exchanger



Combi Bottom



Top

Connections (NPT / Inches)	Size
① Heating system supply tapping	3/4"
② Domestic hot water outlet	1/2"
③ Gas connection	1/2"
④ Domestic cold water supply	1/2"
⑤ Heating system return tapping	3/4"
⑥ Combustion Air connection	2" or 3"
⑦ Flue outlet connection	2" or 3"

Domestic Hot Water Flow Rates
(Based on 70° temperature rise)

FS-80 Combi	2.0 GPM
FS-120 Combi	3.2 GPM

(All dimensions in inches)

EQUIPMENT

- Factory tested
- Stainless Steel heat exchanger
- Mounting bracket and hardware
- Spark ignition
- Outdoor sensor (Heat model only)
- Honeywell control
- T & P gage
- 3-prong power cord
- Sentinel x100 inhibitor
- Water test kit
- Condensate drain
- Relief valve

Combi Models

- Flat plate heat exchanger
- 3-speed circulator

Optional Equipment

- Propane conversion kit
- Concentric vent kit
- Condensate Neutralizer
- 2 Inch vent adapter



In the interest of continual improvement in product and performance, Williamson reserves the right to change specifications without notice.

WARRANTY

- 10 Year residential use heat exchanger limited warranty
- 5 Year commercial use heat exchanger limited warranty
- 2 Year limited parts warranty



Williamson®

8201 West Calumet Road • Milwaukee, WI 53223

www.williamson-thermoflo.com

Form No. W-300 (02/15)