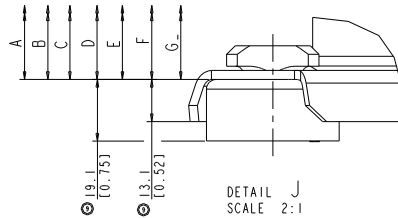
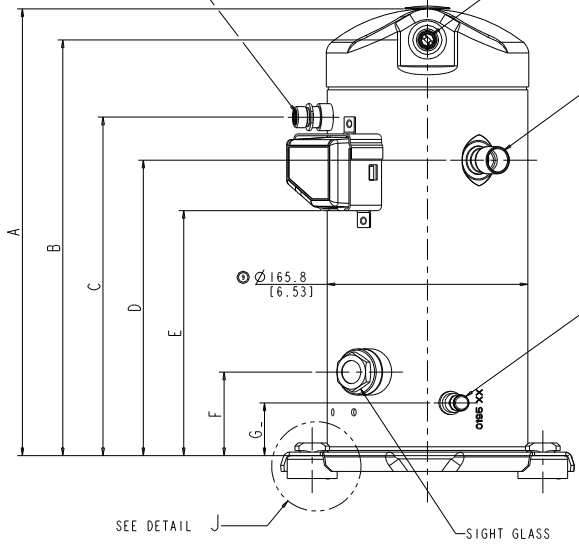


MOTOR TYPE	Ø K PIN CIRCLE
PFJ	13.46 [0.530]
PFV	
TF5	
TFD	17.45 [0.687]
TFE	

3 INJECTION FITTING
[11/16-16 UN-2A THREADS]
[0.25 ID]

COPPER PLATED STEEL
DISCHARGE FITTING CHECK VALVE
12.78-12.95 [0.503-0.510] I.D.
▽ 10.00 [0.394] MIN. Ⓢ

COPPER PLATED STEEL
SUCTION FITTING
19.12-19.30
[0.753-0.761] I.D.
▽ 16.00 [0.630] MIN.
0.038 [0.0015] MIN.
THICK EXTERIOR AND
0.038 [0.0015] MIN.
THICK INTERIOR.



ECN	NO	DESCRIPTION	DATE	BY	CHKD	APPD
ECN000651	17	SEE SHEET 1	04-24-08 [VD]	DC	BH	
ECN000609	16	RELEASED -21, -22 & CHANGE FITTING VALVE	12-20-07	AG	MY	BL
ECN000651	15	SEE SHEET 1	10-12-07 [VD]	DC	BH	
32-0306-042	14	SEE SHEET 1	09-26-06 [KZM]	DC	DC	
32-0408-053	13	SEE SHEET 1	08-24-06 [KZM]	DC	DC	
32-0306-056	12	SEE SHEET 1	03-15-06 [PJ0]	DC	SS	
32-0406-053	11	SEE SHEET 1	04-19-06 [AMN]	DC	JS	
32-1005-045	10	RELEASED -14	10-26-05 [KXN]	CHK	DC	
32-0704-030	9	REDRAWN AND REVISED	08-19-04 [MNO]	SPR	CHK	
32-1198-023	0	RELEASED	01-11-99 [AJA]	DM		

EMERSON Climate Technologies
Capeland

INTERPRET PER ASME Y14.5M-1994 AND EMERSON CLIMATE TECHNOLOGIES, INC. DESIGN STANDARDS 002002-00. NOT SCALE DRAWING. THIRD ANGLE PROJECTION.

THIS DRAWING AND INFORMATION CONTAINED HEREIN ARE THE EXCLUSIVE PROPERTY OF EMERSON CLIMATE TECHNOLOGIES, INC. AND SHALL BE RETURNED UPON DEMAND AND SHALL NOT BE REPRODUCED IN WHOLE OR IN PART, INCLUDING TO ADAPT, REUSE OR USE, WITHOUT THE WRITTEN CONSENT OF EMERSON CLIMATE TECHNOLOGIES, INC.

10

DATE: 08-19-04
SCALE: 3:4
DATE FORW: 08-09-11

SUPERSEDES DWG NO: 7 REV. NO: 497-3542-00 / 8

FILE: REF DWG-WELD COMP ASSM
DRAWING NUMBER: SHEET 2 OF 3

COPYRIGHT EMERSON CLIMATE TECHNOLOGIES, INC. - CONFIDENTIAL