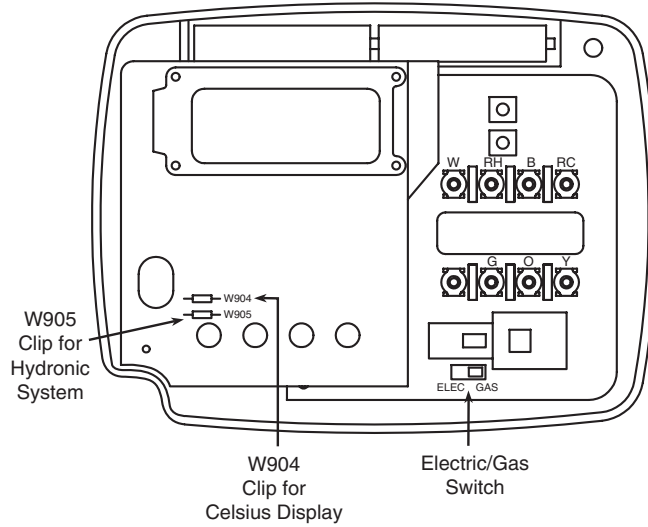
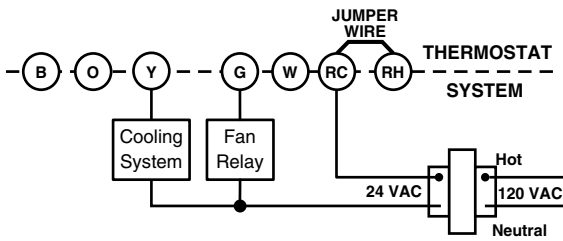


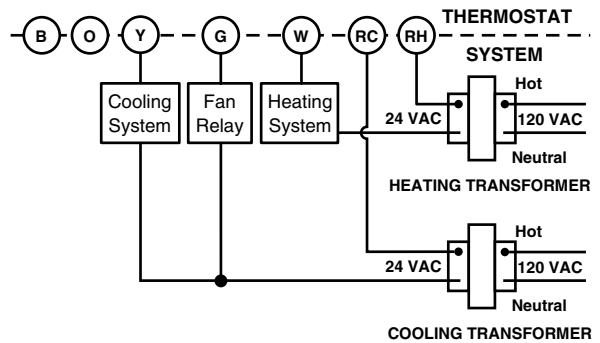
CONFIGURATION



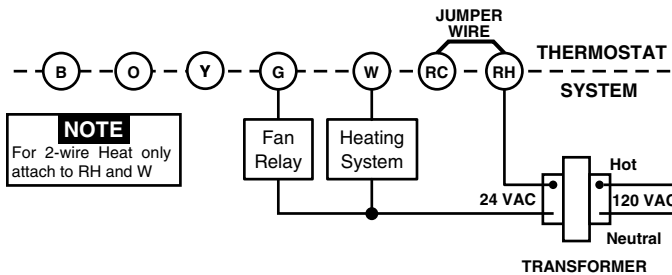
TYPICAL WIRING DIAGRAMS



Cool only, 3-wire, single transformer systems

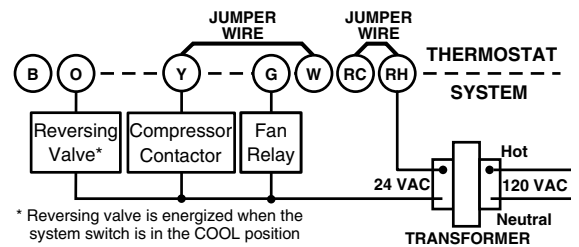


Heat/cool, 5-wire, two-transformer systems



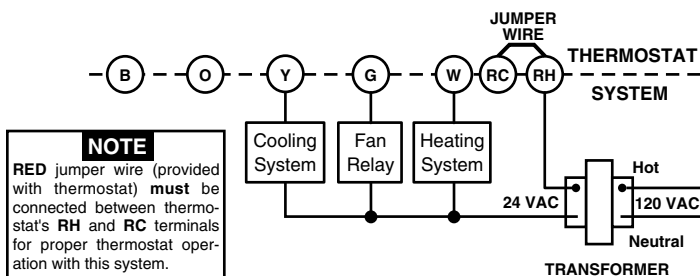
NOTE
For 2-wire Heat only
attach to RH and W

Heat only, 3-wire, single transformer systems



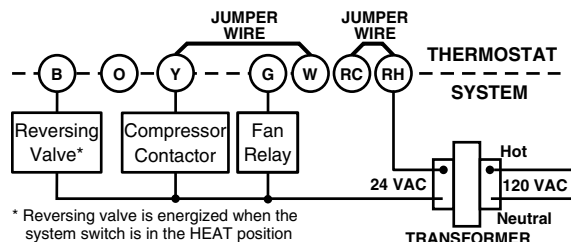
* Reversing valve is energized when the system switch is in the COOL position

Heat pump with cool active reversing valve



NOTE
RED jumper wire (provided with thermostat) must be connected between thermostat's RH and RC terminals for proper thermostat operation with this system.

Heat/cool, 4-wire, single transformer systems



* Reversing valve is energized when the system switch is in the HEAT position

Heat pump with heat active reversing valve

TECHNICAL HELP

Single Stage

Digital 7 Day, 5/2 Day
Programmable and
Non-Programmable
Battery

White-Rodgers

70 Series®

Mechanical Footprint Comparison Legend

		Height	Width	Depth
—————	White-Rodgers 1F78 Series Digital Thermostat	3 3/4"	5 1/8"	1 1/8"
.....	Robertshaw 400 Series	3 5/8"	3 1/4"	1 1/4"
-----	Honeywell T87F w/subbase	3 3/4"	3 3/4"	1 3/4"
.....	White-Rodgers 1F56	3 1/4"	4 1/2"	1 5/8"
.....	Honeywell T8034	2 7/8"	4 3/4"	1 5/16"

Economy Digital Thermostat Feature Comparison

Feature	Model			
	White-Rodgers 1F78-151	Robertshaw 9600	Lux PSP511	CTC 43103
Large, Easy-to-Read LCD	X			X
Lighted Display	X			
Easy to Program	X			
Best in Class Accuracy	X			
Millivolt Compatible	X	X	X	X
Single Stage Heat Pump (B&O Terminals)	X		X	X
True 5/2 Day Programming	X		X	X
Soft-Touch Buttons	X			X

Terminal Designations



Dimensions

5.1"W x 3.75"H x 1.1"D

Electrical Specifications

Rating

0 to 30 VAC, 50/60 Hz or DC

0.05 to 1.0 Amp (load per terminal)

1.5 Amps maximum load (all terminals combined)

Standard Systems

Single stage gas, oil, electric

Single stage heat pump

Millivolt compatible

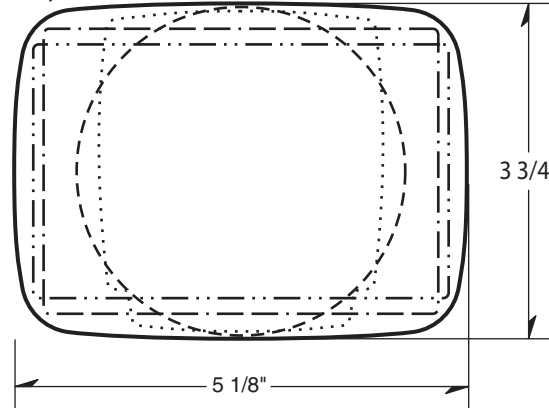
For Additional Information

Visit www.white-rodgers.com

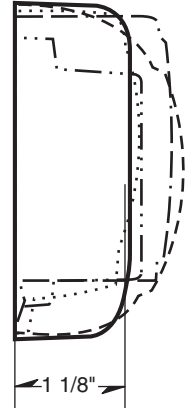
Smart Design Covers the Wall Marks of Others

No spackling or painting necessary because its smart design hides wall marks left by the most popular mechanical thermostats. Plus it has a lower profile!

Footprint



Profile



Application Guide

Series	System	Programs	Power Source
90 - Premium	Single Stage	7 day	Power stealing w/battery back-up
80 - Standard	Multi-Stage	5/1/1 day	Hardwired/battery
70 - Economy	Heat Pump	5/2 day Non-programmable	Battery Hardwired

Thermal Specifications

Setpoint Temperature Range: 45° to 90°F
(7° to 32°C)

Rated Differential: 0.6° to 1.9°F with adjustable anticipation

Operating Ambient Temperature: 32° to 105°F
(0° to 40°C)

Operating Humidity Range: 90%
non-condensing maximum

Shipping Temperature Range: -4° to 150°F
(-20° to 65°C)

Accessories

Wall Plate F61-2510 with 2" x 4" junction box adaptor (6.5"W x 4.5"H)

Wall Plate F61-2550 (6.5"W x 4.5"H)

Thermostat Guard F29-0231

(For additional guard options refer to White-Rodgers catalog.)

1F78-151

Single Stage
2 Programs

1F78-144

Single Stage
Non-Programmable

White
Rodgers

St. Louis, Missouri Markham, Ontario
314-553-3600 905-201-4701
www.white-rodgers.com

The Emerson logo is a trademark and a service of Emerson Electric Co.

EMERSON
Climate Technologies