

Submittal P12SZA2

12,000 BTU Wall Mount Heat Pump Ductless System

Job Name _____
Location _____
Engineer _____
Submitted To _____
Submitted By _____
Reference _____

Date _____
Approval _____
Construction _____
Unit No _____
Drawing No _____

FEATURES

- Heating down to -4°F(-20°C)
- Base Pan Heater
- Washable Filter
- Auto restart
- Quiet mode
- Min Heat 46°F
- °C & °F convertible
- 24 Hour Timer
- Horizontal Auto Swing Louver
- Compressor Pre-Heating


SYSTEM COMPONENTS

Indoor Unit Model Number	WHP12WMA21S
Outdoor Unit Model Number	WHP12SZA21S
System model number	P12SZA2

ELECTRICAL

Voltage/Phase/Frequency	208 / 230V, 1-Phase, 60Hz
Voltage Range - V	198 - 253
MCA - A	10
Max Circuit Breaker - A	15
Max. Current (Cooling) - A	7
Max. Current (Heating) - A	7
Rated Current (Cooling) - A	4.3
Rated Current (Heating) - A	5
Rated Input Power (Cooling) - W	920
Min - Max Input Power (Cooling) - W	276 - 1610
Rated Input Power (Heating) - W	1110
Min - Max Input Power (Heating) - W	276 - 1610

CAPACITIES

Cooling Capacity - BTUh	12000
Cooling Capacity Range - BTUh	4000-13500
Heating Capacity - BTUh	13000
Heating Capacity Range - BTUh	4000-14000

FAN SPEEDS

Indoor Airflow Rate (S/H/M/L/Q) - CFM	394/365/312/253/224
Indoor Airflow Rate (S/H/M/L/Q) - m³/h	670/620/530/430/380
Outdoor Airflow Rate (H) - CFM	1190
Outdoor Airflow Rate (H) - m³/h	2000

SOUND PRESSURE

Sound Pressure Level Indoor (S/H/M/L/Q) - dB(A)	42/39/32/29/26
Sound Pressure Level Outdoor (H) - dB(A)	53

LINESET REQUIREMENTS

Connection Pipe Diameter - Liquid (Flare) - in (mm)	1/4 (6.35)
Connection Pipe Diameter - Gas (Flare) - in (mm)	3/8 (9.52)
Minimum Lineset Length - ft (m)	10 (3)
Maximum Lineset Length (Total) - ft (m)	66 (20)
Max Height Difference (IDU higher than ODU) - ft (m)	33 (10)
Max Height Difference (ODU higher than IDU) - ft (m)	16 (5)
Pre-charged Lineset Length - ft (m)	25 (7.5)

ETL: 3088177
OUTDOOR TEMPERATURE OPERATING RANGE

Cooling - °F (°C)	5°F to 115°F (-15°C to 46°C)
Heating - °F (°C)	-4°F to 75°F (-20°C to 24°C)

INDOOR TEMPERATURE SETTING RANGE

Cooling - °F (°C)	61°F to 86°F (16°C to 30°C)
Heating - °F (°C)	61°F to 86°F (16°C to 30°C)

 Moisture Removal pints/h (L/h) 2.54 (1.2)
EFFICIENCIES

SEER	22
EER	13
HSPF	10.5
COP - BTU	11.71
COP - W/W	3.43
Energy Star	Yes

NET DIMENSIONS & WEIGHTS

Indoor Unit Net Dimensions (W x H x D) - in	33 7/16 x 10 10/16 x 8 7/16
Indoor Unit Net Dimensions (W x H x D) - mm	850 x 270 x 215
Indoor Unit Gross Dimensions (W x H x D) - in	37 x 13 3/16 x 10 7/16
Indoor Unit Gross Dimensions (W x H x D) - mm	940 x 335 x 265
Outdoor Unit Net Dimensions (W x H x D) - in	31 14/16 x 23 x 11
Outdoor Unit Net Dimensions (W x H x D) - mm	810 x 585 x 280
Outdoor Unit Gross Dimensions (W x H x D) - in	37 x 25 3/16 x 15 3/16
Outdoor Unit Gross Dimensions (W x H x D) - mm	940 x 640 x 385
Indoor Unit - Net Weight - lbs (kg)	20 (9)
Outdoor Unit - Net Weight - lbs (kg)	73 (33)

REFRIGERANT

Refrigerant Type	410A
Refrigerant Weight - lb oz	2 lb 9 oz
Oil type	VG74 (POE)

COMPRESSOR

Compressor Type	Rotary
-----------------	--------

WARRANTY


7 Year Compressor, 5 Year Parts out-of-the-box W

Note: Specifications are based on the following conditions:

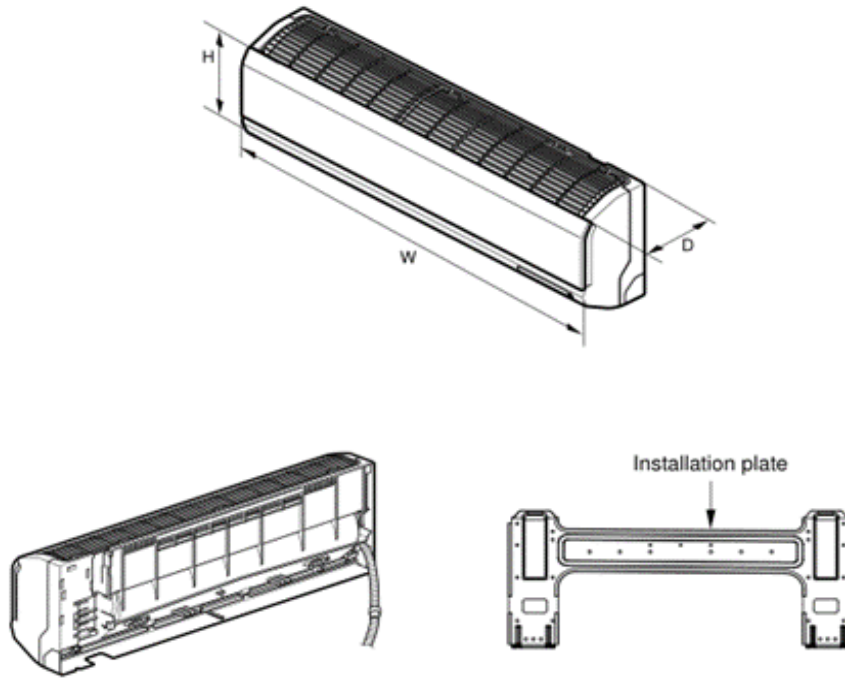
 Cooling: Indoor temperature of 80°F (26.7°C) DB/67°F (19.4°C) WB, and outdoor temperature of 95°F (35°C) DB/75°F (23.9°C) WB.
 Heating: Indoor temperature of 70°F (21.1°C) DB/60°F (15.6°C) WB, and outdoor temperature of 47°F (8.3°C) DB/43°F (6.1°C) WB.
 Pipe length: 25ft. (7.5m), Height difference: 0ft. (0m) (Outdoor unit - Indoor unit).


Submittal P12SZA2

12,000 BTU Wall Mount
Heat Pump Ductless System

DIMENSIONS

Unit: In. (mm)



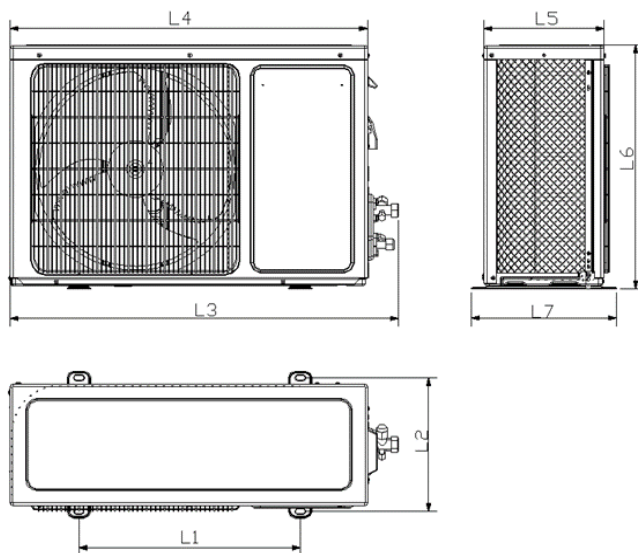
MODEL		W	H	D
WHS09WMA21S	in	30	10 5/8	8 5/8
	mm	764	270	219
WHS12WMA21S	in	32	10 5/8	8 3/7
	mm	815	270	214
WHS18WMA21S	in	36	12 2/5	9 2/7
	mm	915	315	236
WHS24WMA21S	in	42 5/7	12 2/5	9 2/7
	mm	1085	315	236
WHS30WMA21S	in	53 1/7	14 1/3	10 1/4
	mm	1350	364	260
WHS36WMA21S	in	53 1/7	14 1/3	10 1/4
	mm	1350	364	260
WHS09WMA11S	in	29 3/5	10 5/8	8 3/7
	mm	752	270	215
WHS12WMA11S	in	32	10 5/8	8 3/7
	mm	815	270	214

Submittal P12SZA2

12,000 BTU Wall Mount
Heat Pump Ductless System

DIMENSIONS

Unit: In. (mm)



Model	L1 in (mm)	L2 in (mm)	L3 in (mm)	L4 in (mm)	L5 in (mm)	L6 in (mm)	L7 in (mm)
WHS09SZA21S	17 4/9 (443)	10 2/5 (264)	30 5/9 (776)	28 1/7 (715)	9 4/9 (240)	19 1/8 (486)	11 3/7 (290)
WHS12SZA21S							
WHS18SZA21S	21 1/3	13 3/7	36 4/5	34 4/7	12 1/5	26 1/4	14 1/2
	(542)	(341)	(935)	(878)	(310)	"(667)	(368)
WHS24SZA21S	26 (662)	15 1/3 (390)	37 3/4 (959)	34 4/5 (884)	14 2/5 (365.5)	31 2/9 (793)	16 2/7 (414)
WHS30SZA21S							
WHS36SZA21S							
WHS09SZA11S	17 4/9 (443)	10 2/5 (264)	30 5/9 (776)	28 1/7 (715)	9 4/9 (240)	19 1/8 (486)	11 3/7 (290)
WHS12SZA11S							