



AIR CONDITIONERS

Features

- Outdoor air conditioner designed for ground level or rooftop installations. These units offer comfort and dependability for single, multi-family and light commercial applications.
- Painted louvered steel cabinet
- Easily accessible control box
- Condenser coils constructed with copper tubing and enhanced aluminum fins.
- Grille/Motor mount for quiet fan operation
- Filter Drier (shipped – not installed)



WA13 SERIES

Efficiencies up to 13 SEER/11 EER
Nominal Sizes 1.5-5 Tons [5.28-17.6 kW]

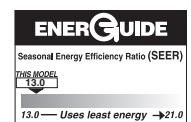


TABLE OF CONTENTS

Model Number Identification	3-4
Electrical & Physical Data	5
Unit Dimensions	6
Refrigerant Line Size Information	7-10
Performance Data	11-15
Limited Warranty	16

Air Conditioners*

<u>W</u>	<u>A</u>	<u>13</u>	<u>24</u>	<u>A</u>	<u>J</u>	<u>1</u>	<u>N</u>	<u>A</u>	<u>*</u>
Brand	Product Category	SEER	Capacity BTU/HR	Major Series*	Voltage	Type	Controls	Minor Series**	Option Code
WeatherKing	A - Air Conditioners	13 - 13 SEER 14 - 14 SEER	18 - 18,000 [5.28 kW] 24 - 24,000 [7.03 kW] 30 - 30,000 [8.79 kW] 36 - 36,000 [10.55 kW] 42 - 42,000 [12.31 kW] 48 - 48,000 [14.07 kW] 60 - 60,000 [17.58 kW]	A - 1st Design	J - 1ph, 208-230/60 C - 3ph, 208-230/60 D - 3ph, 460/60	1 - Single-stage	N - Non-Communicating	A - 1st Design B - 2nd Revision	N/A

Heat Pumps (For Reference)**

<u>W</u>	<u>P</u>	<u>14</u>	<u>24</u>	<u>A</u>	<u>J</u>	<u>1</u>	<u>N</u>	<u>A</u>	<u>*</u>
Brand	Product Category	SEER	Capacity BTU/HR	Major Series*	Voltage	Type	Controls	Minor Series**	Option Code
WeatherKing	P - Heat Pump	13 - 13 SEER 14 - 14 SEER	18 - 18,000 [5.28 kW] 24 - 24,000 [7.03 kW] 30 - 30,000 [8.79 kW] 36 - 36,000 [10.55 kW] 42 - 42,000 [12.31 kW] 48 - 48,000 [14.07 kW] 60 - 60,000 [17.58 kW]	A - 1st Design	J - 1ph, 208-230/60	1 - Single-stage	N - Non-Communicating	A - 1st Design	N/A

Furnace Coils (For Reference)**

<u>T</u>	<u>C</u>	<u>F</u>	<u>24</u>	<u>17</u>	<u>S</u>	<u>T</u>	<u>A</u>	<u>M</u>	<u>C</u>	<u>A</u>	<u>*</u>
Brand	Product Category	Type	Capacity BTU/HR	Width	Efficiency	Metering Device	Major Series*	Orientation	Casing	Minor Series**	Option Code
Generic	C - Evap Coil F - Furn Coil H - Air-Handler Coil	F - Furn Coil H - Air-Handler Coil	24 - 24,000 [7.03 kW] 36 - 36,000 [10.55 kW] 48 - 48,000 [14.07 kW] 60 - 60,000 [17.58 kW]	14 - 14" 17 - 17.5" 21 - 21" 24 - 24.5"	S - Standard Eff. M - Mid Eff. H - High Eff.	T-TXV E-EEV P-Piston	A - 1st Design	M - Multipoise V - Vertical only/ convertible H - Ded. Horizontal only	C - Cased U - Uncased	A - 1st Design	N/A

[] Designates Metric Conversions

90%+ AFUE Gas Furnaces (For Reference)**

W	92	P	A	70	2	3	17	M	S	A
Brand	Series	Motor	Major Rev	Input BTU/HR	Stages	Air Flow	Cabinet Width	Configuration	Nox	Minor Rev
WeatherKing	92 - 92 AFUE 95 - 95 AFUE 96 - 96 AFUE	T - Constant Torque (X-13) P - PSC	A - 1st Design	040 - 42,000 [12.31 kW] 060 - 56,000 [16.41 kW] 070 - 70,000 [20.51 kW] 085 - 84,000 [24.62 kW] 100 - 98,000 [28.72 kW] 115 - 112,000 [32.82 kW]	1 - Single-stage 2 - Two-stage	3 - up to 3 ton 5 - 3 1/2 up to 5 ton	14 - 14" 17 - 17.5" 21 - 21" 24 - 24.5"	M - Multi	X - Low Nox S - Standard	A - 1st Design

80% AFUE Gas Furnaces (For Reference)**

W	80	1	S	A	075	3	17	M	S	A
Brand	Series	Stages	Motor	Major Rev	Input BTU/HR	Air Flow	Cabinet Width	Configuration	Nox	Minor Rev
WeatherKing	80 - 80+ AFUE	1 - Single-stage	S - PSC standard	A - 1st Design	050 - 50,000 [15 kW] 075 - 75,000 [22 kW] 100 - 100,000 [29 kW] 125 - 125,000 [37 kW] 150 - 150,000 [44 kW]	3 - up to 3 ton 4 - 2 1/2 to 4 ton 5 - 3 1/2 up to 5 ton	14 - 14" 17 - 17.5" 21 - 21" 24 - 24.5"	M - Multi Z - Down & zero clearance down flow	X - Low Nox S - Standard	A - 1st Design

Air Handlers (For Reference)**

W	H	1	I	36	17	S	T	A	N	A	*		
Brand	Product Category	Stages of Airflow	Motor Type	Capacity BTU/HR	Width	Coil Size	Metering Device	Major Series*	Controls	Voltage	Minor Series**	Factory Heat Cap	Option Code
Weather King	H - Air Handler	1 - Single-Stage	T - Constant Torque P - PSC	24 - 24,000 [7.03 kW] 36 - 36,000 [10.55 kW] 48 - 48,000 [14.07 kW] 60 - 60,000 [17.58 kW]	14 - 14" 17 - 17.5" 21 - 21" 24 - 24.5"	S - Standard Eff. M - Mid Eff. H - High Eff.	T - TEV	A - 1st Design	N - Non-comm	A - 1ph, 115/60 J - 1ph, 208-240/60 D - 3ph, 480/60	A - 1st Design	00 - no factory heat with option code	*TBD

[] Designates Metric Conversions

Electrical and Physical Data

Model Number WA13	ELECTRICAL							PHYSICAL					
	Phase Frequency (Hz) Voltage (Volts)	Compressor		Fan Motor Full Load Amperes (FLA)	Minimum Circuit Ampacity Amperes	Fuse or HACR Circuit Breaker		Outdoor Coil			Refrig. Per Circuit Oz. [g]	Weight	
		Rated Load Amperes (RLA)	Locked Rotor Amperes (LRA)			Minimum Amperes	Maximum Amperes	Face Area Sq. Ft. [m ²]	No. Rows	CFM [L/s]		Net Lbs. [kg]	Shipping Lbs. [kg]
18	1-60-208/230	9/9	46	0.6	12/12	15/15	20/20	7.13 [0.66]	1	1415 [668]	67.4 [1911]	120 [54.4]	128 [54.4]
24	1-60-208/230	13.5/13.5	58.3	0.6	18/18	25/25	30/30	8.43 [0.78]	1	1665 [786]	67.8 [1922]	121 [54.9]	129 [54.9]
30B	1-60-208/230	12.8/12.8	64	0.7	17/17	20/20	25/25	13.72 [1.27]	1	2121 [1001]	98.0 [2790]	138 [62.6]	145 [65.8]
36	1-60-208/230	16.7/16.7	79	0.8	22/22	30/30	35/35	13.72 [1.27]	1	2540 [1199]	90.6 [2569]	149 [67.6]	157 [67.6]
42	1-60-208/230	17.9/17.9	112	1.2	24/24	30/30	40/40	13.72 [1.27]	1	2540 [1199]	106.0 [3005]	149 [67.6]	157 [67.6]
48B	1-60-208/230	19.9/19.9	109	1.0	26/26	35/35	45/45	21.85 [2.03]	1	3571 [1685]	146.0 [4139]	205 [93.0]	225 [102.1]
60B	1-60-208/230	26.4/26.4	134	1.7	35/35	45/45	60/60	21.85 [2.03]	2	3360 [1560]	228.0 [6464]	254 [115.2]	274 [124.3]

Model Number WA13	ELECTRICAL							PHYSICAL					
	Phase Frequency (Hz) Voltage (Volts)	Compressor		Fan Motor Full Load Amperes (FLA)	Minimum Circuit Ampacity Amperes	Fuse or HACR Circuit Breaker		Outdoor Coil			Refrig. Per Circuit Oz. [g]	Weight	
		Rated Load Amperes (RLA)	Locked Rotor Amperes (LRA)			Minimum Amperes	Maximum Amperes	Face Area Sq. Ft. [m ²]	No. Rows	CFM [L/s]		Net Lbs. [kg]	Shipping Lbs. [kg]
36	3-60-208/230	10.4/10.4	73	0.8	14/14	20/20	20/20	13.72 [1.27]	1	2540 [1199]	90.6 [2569]	149 [67.6]	157 [67.6]
42	3-60-208/230	13.2/13.2	88	1.2	18/18	25/25	30/30	13.72 [1.27]	1	2540 [1199]	106.0 [3005]	149 [67.6]	157 [67.6]
48B	3-60-208/230	13.1/13.1	83.1	1.0	18/18	25/25	30/30	21.85 [2.03]	1	3571 [1685]	146.0 [4139]	205 [93.0]	225 [102.1]
60B	3-60-208/230	16.0/16.0	110.0	1.7	22/22	30/30	35/35	21.85 [2.03]	2	3360 [1560]	228.0 [6464]	254 [115.2]	274 [124.3]

Model Number WA13	ELECTRICAL							PHYSICAL					
	Phase Frequency (Hz) Voltage (Volts)	Compressor		Fan Motor Full Load Amperes (FLA)	Minimum Circuit Ampacity Amperes	Fuse or HACR Circuit Breaker		Outdoor Coil			Refrig. Per Circuit Oz. [g]	Weight	
		Rated Load Amperes (RLA)	Locked Rotor Amperes (LRA)			Minimum Amperes	Maximum Amperes	Face Area Sq. Ft. [m ²]	No. Rows	CFM [L/s]		Net Lbs. [kg]	Shipping Lbs. [kg]
36	3-60-460	5.8/5.8	38	0.35	8/8	15/15	15/15	13.72 [1.27]	1	2540 [1199]	90.6 [2569]	149 [67.6]	157 [67.6]
42	3-60-460	6/6	44	0.8	9/9	15/15	15/15	13.72 [1.27]	1	2540 [1199]	106.0 [3005]	149 [67.6]	157 [67.6]
48B	3-60-460	6.09/6.09	41	0.8	9/9	15/15	15/15	21.85 [2.03]	1	3571 [1685]	146.0 [4139]	205 [93.0]	225 [102.1]
60	3-60-460	7.8/7.8	52	0.8	11/11	15/15	15/15	19.17 [1.78]	1	3380 [1595]	157.2 [4457]	223 [101.2]	234 [101.2]

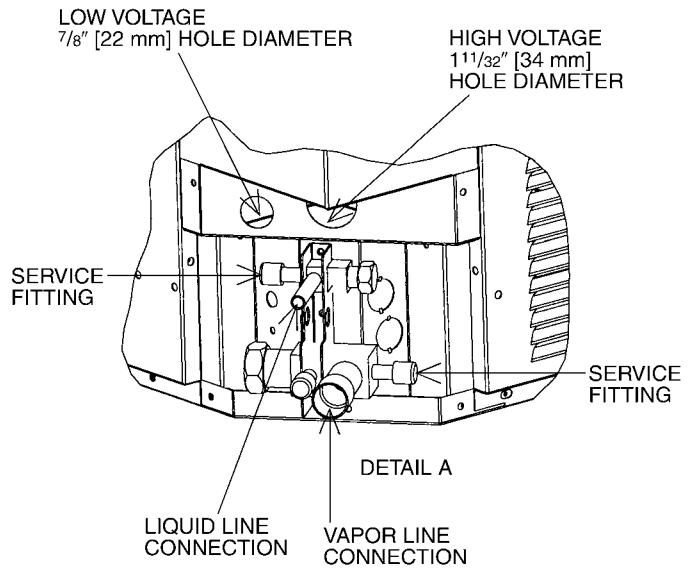
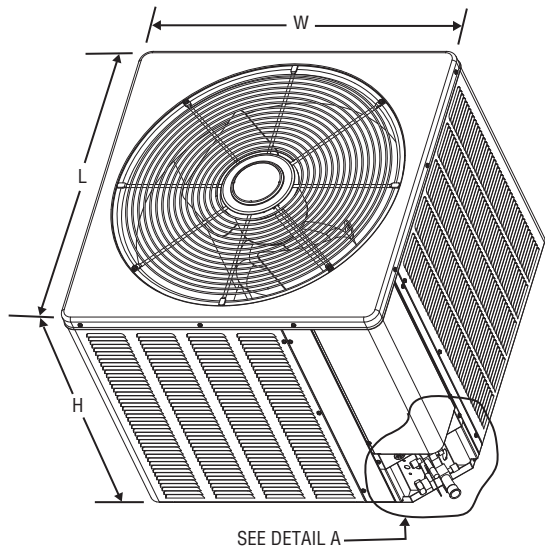
NOTE: Factory Refrigerant Charge includes refrigerant for 15 feet of standard line set.

[] Designates Metric Conversions

Unit Dimensions

Model No. WA13	Unit Dimensions		
	Width "W" Inches	Length "L" Inches	Height "H" Inches
18, 24	23 ⁵ / ₈ [600]	23 ⁵ / ₈ [600]	24 ¹ / ₄ [616]
30, 36, 42	27 ⁵ / ₈ [702]	27 ⁵ / ₈ [702]	24 ¹ / ₄ [616]
48, 60	31 ⁵ / ₈ [803]	31 ⁵ / ₈ [803]	35 ¹⁵ / ₁₆ [913]

[] Designates Metric Conversions



13 - 14 SEER Single-Stage Air-Conditioners																	
Unit Size	Allowable Liquid Line Size	Allowable Suction Line Size	Apply Long Line Guidelines if Linear Line Length Exceeds Those Shown Below (Feet)			Equivalent Length (Feet)											
			WA13	WA14 A/B	WA14 W	< 25	26-50	51-75	76-100	101-125	126-150	151-175	176-200	201-225	226-250		
			Maximum Vertical Rise (Outdoor Unit Below Indoor Unit) * / Capacity Multiplier														
1.5 Ton **SEE NOTE 3	1/4"	5/8"	N/A	N/A	N/A	25 / 1.00	50 / 0.99	62 / 0.98	43 / 0.98	24 / 0.97	5 / 0.97	N/R	N/R	N/R	N/R	N/R	
	5/16"	5/8"	225	188	190	25 / 1.00	50 / 0.99	75 / 0.98	98 / 0.98	93 / 0.97	88 / 0.97	83 / 0.96	78 / 0.96	73 / 0.95	68 / 0.94	68 / 0.94	
	3/8"	5/8"	150	125	127	25 / 1.00	50 / 0.99	75 / 0.98	100 / 0.98	100 / 0.97	100 / 0.97	100 / 0.96	100 / 0.96	100 / 0.95	100 / 0.94	100 / 0.94	
	1/4"	3/4"	N/A	N/A	N/A	25 / 1.00	50 / 1.00	62 / 0.99	43 / 0.99	24 / 0.99	5 / 0.99	N/R	N/R	N/R	N/R	N/R	N/R
	5/16"	3/4"	225	188	190	25 / 1.00	50 / 1.00	75 / 0.99	98 / 0.99	93 / 0.99	88 / 0.99	83 / 0.99	78 / 0.98	73 / 0.98	68 / 0.98	68 / 0.98	
	3/8"	3/4"	150	125	127	25 / 1.00	50 / 1.00	75 / 1.00	100 / 0.99	100 / 0.99	100 / 0.99	100 / 0.99	100 / 0.99	100 / 0.98	100 / 0.98	100 / 0.98	
2 Ton	1/4"	5/8"	N/A	N/A	N/A	25 / 0.99	50 / 0.98	21 / 0.97	N/R	N/R	N/R	N/R	N/R	N/R	N/R	N/R	N/R
	5/16"	5/8"	223	170	180	25 / 0.99	50 / 0.98	75 / 0.97	87 / 0.96	77 / 0.95	69 / 0.94	61 / 0.93	53 / 0.92	45 / 0.91	37 / 0.90	37 / 0.90	
	3/8"	5/8"	148	113	120	25 / 0.99	50 / 0.98	75 / 0.97	100 / 0.96	100 / 0.95	100 / 0.94	98 / 0.93	95 / 0.92	92 / 0.91	89 / 0.90	89 / 0.90	
	1/4"	3/4"	N/A	N/A	N/A	25 / 1.00	50 / 1.00	21 / 0.99	N/R	N/R	N/R	N/R	N/R	N/R	N/R	N/R	N/R
	5/16"	3/4"	223	170	180	25 / 1.00	50 / 1.00	75 / 0.99	87 / 0.99	77 / 0.98	69 / 0.98	61 / 0.98	53 / 0.97	45 / 0.97	37 / 0.96	37 / 0.96	
	3/8"	3/4"	148	113	120	25 / 1.00	50 / 1.00	75 / 0.99	100 / 0.99	100 / 0.98	100 / 0.98	98 / 0.98	95 / 0.97	93 / 0.97	90 / 0.96	90 / 0.96	
2.5 Ton	5/16"	5/8"	148	148	113	25 / 0.99	50 / 0.98	75 / 0.96	70 / 0.94	59 / 0.93	48 / 0.91	36 / 0.90	N/R	N/R	N/R	N/R	N/R
	3/8"	5/8"	98	98	75	25 / 0.99	50 / 0.98	75 / 0.96	100 / 0.94	98 / 0.93	94 / 0.91	90 / 0.90	N/R	N/R	N/R	N/R	N/R
	5/16"	3/4"	148	148	113	25 / 1.00	50 / 0.99	75 / 0.99	70 / 0.98	59 / 0.98	48 / 0.97	36 / 0.96	25 / 0.96	13 / 0.95	N/R	N/R	N/R
	3/8"	3/4"	98	98	75	25 / 1.00	50 / 0.99	75 / 0.99	100 / 0.98	98 / 0.98	94 / 0.97	90 / 0.96	86 / 0.96	82 / 0.95	78 / 0.95	78 / 0.95	
	5/16"	5/8"	N/A	88	73	25 / 0.99	50 / 0.97	66 / 0.94	49 / 0.92	32 / 0.90	N/R	N/R	N/R	N/R	N/R	N/R	N/R
	3/8"	5/8"	110	58	48	25 / 0.99	50 / 0.97	75 / 0.94	95 / 0.92	89 / 0.90	N/R	N/R	N/R	N/R	N/R	N/R	N/R
3 Ton	5/16"	3/4"	N/A	88	73	25 / 1.00	50 / 0.99	66 / 0.98	49 / 0.98	32 / 0.97	15 / 0.96	N/R	N/R	N/R	N/R	N/R	N/R
	3/8"	3/4"	110	58	48	25 / 1.00	50 / 0.99	75 / 0.98	95 / 0.98	89 / 0.97	84 / 0.96	78 / 0.95	72 / 0.94	67 / 0.93	61 / 0.93	61 / 0.93	
	1/2"	3/4"	55	29	24	25 / 1.00	50 / 0.99	75 / 0.98	100 / 0.98	100 / 0.97	100 / 0.96	100 / 0.95	100 / 0.94	100 / 0.93	100 / 0.93	100 / 0.93	
	5/16"	7/8"	N/A	88	73	25 / 1.00	50 / 1.00	66 / 1.00	49 / 0.99	32 / 0.99	15 / 0.99	N/R	N/R	N/R	N/R	N/R	N/R
	3/8"	7/8"	110	58	48	25 / 1.00	50 / 1.00	75 / 1.00	95 / 0.99	89 / 0.99	84 / 0.99	78 / 0.98	72 / 0.98	67 / 0.98	61 / 0.97	61 / 0.97	
	1/2"	7/8"	55	29	24	25 / 1.00	50 / 1.00	75 / 1.00	100 / 0.99	100 / 0.99	100 / 0.99	100 / 0.98	100 / 0.98	100 / 0.98	100 / 0.97	100 / 0.97	
3.5 Ton	3/8"	3/4"	148	112	100	25 / 0.99	50 / 0.98	75 / 0.97	88 / 0.96	80 / 0.95	72 / 0.94	65 / 0.92	57 / 0.91	49 / 0.90	N/R	N/R	N/R
	1/2"	3/4"	74	56	50	25 / 0.99	50 / 0.98	75 / 0.97	100 / 0.96	100 / 0.95	100 / 0.94	100 / 0.92	100 / 0.91	100 / 0.90	N/R	N/R	
	3/8"	7/8"	148	112	100	25 / 1.00	50 / 1.00	75 / 0.99	88 / 0.99	80 / 0.99	72 / 0.98	65 / 0.97	57 / 0.97	49 / 0.96	42 / 0.96	42 / 0.96	
	1/2"	7/8"	74	56	50	25 / 1.00	50 / 1.00	75 / 0.99	100 / 0.99	100 / 0.99	100 / 0.98	100 / 0.97	100 / 0.97	100 / 0.96	100 / 0.96	100 / 0.96	

NOTES:
 1. Do not exceed 200 ft linear line length.
 2. Do not exceed 100 ft vertical separation if outdoor unit is above indoor unit.
 3. **3/4" suction line should only be used for 1.5 ton systems if outdoor unit is below or at same level as indoor to assure proper oil return.
 4. Always use the smallest liquid line allowable to minimize refrigerant charge.
 5. Applications shaded in light gray indicate capacity multipliers between 0.90 and 0.96 which are not recommended, but are allowed.
 6. Applications shaded in dark gray are not recommended due to excessive liquid or suction pressure drop.

13 - 14 SEER Single-Stage Air-Conditioners															
Unit Size	Allowable Liquid Line Size	Allowable Suction Line Size	Apply Long Line Guidelines if Linear Line Length Exceeds Those Shown Below (Feet)			Equivalent Length (Feet)									
			WA13	WA14 A/B	WA14 W	< 25	26-50	51-75	76-100	101-125	126-150	151-175	176-200	201-225	226-250
			Maximum Vertical Rise (Outdoor Unit Below Indoor Unit) * / Capacity Multiplier												
4 Ton	3/8"	3/4"	82	82	0	25 / 0.99	50 / 0.98	75 / 0.96	77 / 0.95	67 / 0.93	57 / 0.92	46 / 0.91	N/R	N/R	N/R
	1/2"	3/4"	41	41	0	25 / 0.99	50 / 0.98	75 / 0.96	100 / 0.95	100 / 0.93	100 / 0.92	100 / 0.91	N/R	N/R	N/R
	3/8"	7/8"	82	82	0	25 / 1.00	50 / 0.99	75 / 0.99	77 / 0.98	67 / 0.97	57 / 0.97	46 / 0.96	36 / 0.96	26 / 0.95	15 / 0.95
	1/2"	7/8"	41	41	0	25 / 1.00	50 / 0.99	75 / 0.99	100 / 0.98	100 / 0.97	100 / 0.97	100 / 0.96	100 / 0.96	99 / 0.95	97 / 0.95
5 Ton	3/8"	3/4"	0	0	0	25 / 0.99	50 / 0.97	75 / 0.94	61 / 0.92	46 / 0.90	N/R	N/R	N/R	N/R	N/R
	1/2"	3/4"	0	0	0	25 / 0.99	50 / 0.97	75 / 0.94	100 / 0.92	100 / 0.90	N/R	N/R	N/R	N/R	N/R
	3/8"	7/8"	0	0	0	25 / 1.00	50 / 0.99	75 / 0.98	61 / 0.97	46 / 0.96	32 / 0.95	18 / 0.94	N/R	N/R	N/R
	1/2"	7/8"	0	0	0	25 / 1.00	50 / 0.99	75 / 0.98	100 / 0.97	100 / 0.96	100 / 0.95	97 / 0.94	95 / 0.94	92 / 0.93	89 / 0.92
	3/8"	1-1/8"	0	0	0	25 / 1.01	50 / 1.01	75 / 1.00	61 / 1.00	46 / 0.99	32 / 0.99	18 / 0.99	N/R	N/R	N/R
	1/2"	1-1/8"	0	0	0	25 / 1.01	50 / 1.01	75 / 1.00	100 / 1.00	100 / 0.99	100 / 0.99	97 / 0.99	95 / 0.99	92 / 0.99	89 / 0.98

NOTES:

- Do not exceed 200 ft linear line length.
- *Do not exceed 100 ft vertical separation if outdoor unit is above indoor unit.
- **3/4" suction line should only be used for 1.5 ton systems if outdoor unit is below or at same level as indoor to assure proper oil return.
- Always use the smallest liquid line allowable to minimize refrigerant charge.
- Applications shaded in light gray indicate capacity multipliers between 0.90 and 0.96 which are not recommended, but are allowed.
- Applications shaded in dark gray are not recommended due to excessive liquid or suction pressure drop.

13 - 14 SEER Single-Stage Air-Conditioners																	
Unit Size	Allowable Liquid Line Size mm [in.]	Allowable Suction Line Size mm [in.]	Apply Long Line Guidelines if Linear Line Length Exceeds Those Shown Below (Meters)			Equivalent Length (Meters)											
			WA13	WA14 A/B	WA14 W	< 8	8-15	16-23	24-30	31-38	39-46	47-53	54-61	62-69	70-76		
			Maximum Vertical Rise (Outdoor Unit Below Indoor Unit) * / Capacity Multiplier														
5.3 kW [1.5 Ton] **SEE NOTE 3	6.35 [1/4]	15.88 [5/8]	N/A	N/A	N/A	8 / 1.00	15 / 0.99	19 / 0.98	13 / 0.98	7 / 0.97	2 / 0.97	N/R	N/R	N/R	N/R	N/R	
	7.94 [5/16]	15.88 [5/8]	69	57	58	8 / 1.00	15 / 0.99	23 / 0.98	30 / 0.98	28 / 0.97	27 / 0.97	25 / 0.96	24 / 0.96	22 / 0.95	21 / 0.94	21 / 0.94	
	9.53 [3/8]	15.88 [5/8]	46	38	39	8 / 1.00	15 / 0.99	23 / 0.98	30 / 0.98	30 / 0.97	30 / 0.97	30 / 0.96	30 / 0.96	30 / 0.95	30 / 0.94	30 / 0.94	
	6.35 [1/4]	19.05 [3/4]**	N/A	N/A	N/A	8 / 1.00	15 / 1.00	19 / 0.99	13 / 0.99	7 / 0.99	2 / 0.99	N/R	N/R	N/R	N/R	N/R	N/R
	7.94 [5/16]	19.05 [3/4]**	69	57	58	8 / 1.00	15 / 1.00	23 / 0.99	30 / 0.99	28 / 0.99	27 / 0.99	25 / 0.99	24 / 0.98	22 / 0.98	21 / 0.98	21 / 0.98	
	9.53 [3/8]	19.05 [3/4]**	46	38	39	8 / 1.00	15 / 1.00	23 / 0.99	30 / 0.99	30 / 0.99	30 / 0.99	30 / 0.99	30 / 0.98	30 / 0.98	30 / 0.98	30 / 0.98	30 / 0.98
7.0 kW [2 Ton]	6.35 [1/4]	15.88 [5/8]	N/A	N/A	N/A	8 / 0.99	15 / 0.98	6 / 0.97	N/R	N/R	N/R	N/R	N/R	N/R	N/R	N/R	N/R
	7.94 [5/16]	15.88 [5/8]	68	52	55	8 / 0.99	15 / 0.98	23 / 0.97	27 / 0.96	23 / 0.95	21 / 0.94	19 / 0.93	16 / 0.92	14 / 0.91	11 / 0.90	11 / 0.90	
	9.53 [3/8]	15.88 [5/8]	45	35	37	8 / 0.99	15 / 0.98	23 / 0.97	30 / 0.96	30 / 0.95	30 / 0.94	30 / 0.93	29 / 0.92	28 / 0.91	27 / 0.90	27 / 0.90	
	6.35 [1/4]	19.05 [3/4]	N/A	N/A	N/A	8 / 1.00	15 / 1.00	6 / 0.99	N/R	N/R	N/R	N/R	N/R	N/R	N/R	N/R	N/R
	7.94 [5/16]	19.05 [3/4]	68	52	55	8 / 1.00	15 / 1.00	23 / 0.99	27 / 0.99	23 / 0.98	21 / 0.98	19 / 0.98	16 / 0.97	14 / 0.97	11 / 0.96	11 / 0.96	
	9.53 [3/8]	19.05 [3/4]	45	35	37	8 / 1.00	15 / 1.00	23 / 0.99	30 / 0.99	30 / 0.99	30 / 0.98	30 / 0.98	29 / 0.97	28 / 0.97	27 / 0.96	27 / 0.96	
8.8 kW [2.5 Ton]	7.94 [5/16]	15.88 [5/8]	45	45	34	8 / 0.99	15 / 0.98	23 / 0.96	21 / 0.94	18 / 0.93	15 / 0.91	N/R	N/R	N/R	N/R	N/R	N/R
	9.53 [3/8]	15.88 [5/8]	30	30	23	8 / 0.99	15 / 0.98	23 / 0.96	30 / 0.94	30 / 0.93	29 / 0.91	27 / 0.90	N/R	N/R	N/R	N/R	N/R
	7.94 [5/16]	19.05 [3/4]	45	45	34	8 / 1.00	15 / 0.99	23 / 0.99	21 / 0.98	18 / 0.98	15 / 0.97	11 / 0.96	8 / 0.96	4 / 0.95	N/R	N/R	
	9.53 [3/8]	19.05 [3/4]	30	30	23	8 / 1.00	15 / 0.99	23 / 0.99	30 / 0.98	30 / 0.98	29 / 0.97	27 / 0.96	26 / 0.96	25 / 0.95	24 / 0.95	24 / 0.95	
	7.94 [5/16]	15.88 [5/8]	N/A	27	22	8 / 0.99	15 / 0.97	20 / 0.94	15 / 0.92	10 / 0.90	N/R	N/R	N/R	N/R	N/R	N/R	N/R
	9.53 [3/8]	15.88 [5/8]	34	18	15	8 / 0.99	15 / 0.97	23 / 0.94	29 / 0.92	27 / 0.90	N/R	N/R	N/R	N/R	N/R	N/R	N/R
10.6kW [3 Ton]	7.94 [5/16]	19.05 [3/4]	34	27	22	8 / 1.00	15 / 0.99	20 / 0.98	15 / 0.98	10 / 0.97	5 / 0.96	N/R	N/R	N/R	N/R	N/R	N/R
	9.53 [3/8]	19.05 [3/4]	34	18	15	8 / 1.00	15 / 0.99	23 / 0.98	29 / 0.98	27 / 0.97	26 / 0.96	24 / 0.95	22 / 0.94	20 / 0.93	19 / 0.93	19 / 0.93	
	12.7 [1/2]	19.05 [3/4]	17	9	7	8 / 1.00	15 / 0.99	23 / 0.98	30 / 0.98	30 / 0.97	30 / 0.96	30 / 0.95	30 / 0.94	30 / 0.93	30 / 0.93	30 / 0.93	
	7.94 [5/16]	22.23 [7/8]	N/A	27	22	8 / 1.00	15 / 1.00	20 / 1.00	15 / 0.99	10 / 0.99	5 / 0.99	N/R	N/R	N/R	N/R	N/R	N/R
	9.53 [3/8]	22.23 [7/8]	34	18	15	8 / 1.00	15 / 1.00	23 / 1.00	29 / 0.99	27 / 0.99	26 / 0.99	24 / 0.98	22 / 0.98	20 / 0.98	19 / 0.97	19 / 0.97	
	12.7 [1/2]	22.23 [7/8]	17	9	7	8 / 1.00	15 / 1.00	23 / 1.00	30 / 0.99	30 / 0.99	30 / 0.99	30 / 0.98	30 / 0.98	30 / 0.98	30 / 0.98	30 / 0.97	30 / 0.97
12.3 kW [3.5 Ton]	9.53 [3/8]	19.05 [3/4]	45	34	30	8 / 0.99	15 / 0.98	23 / 0.97	27 / 0.96	24 / 0.95	22 / 0.94	20 / 0.92	17 / 0.91	15 / 0.90	N/R	N/R	N/R
	12.7 [1/2]	19.05 [3/4]	23	17	15	8 / 0.99	15 / 0.98	23 / 0.97	30 / 0.96	30 / 0.95	30 / 0.94	30 / 0.92	30 / 0.91	30 / 0.90	N/R	N/R	N/R
	9.53 [3/8]	22.23 [7/8]	45	34	30	8 / 1.00	15 / 1.00	23 / 0.99	27 / 0.99	24 / 0.99	22 / 0.98	20 / 0.97	17 / 0.97	15 / 0.96	13 / 0.96	13 / 0.96	
	12.7 [1/2]	22.23 [7/8]	23	17	15	8 / 1.00	15 / 1.00	23 / 0.99	30 / 0.99	30 / 0.99	30 / 0.98	30 / 0.97	30 / 0.97	30 / 0.97	30 / 0.96	30 / 0.96	30 / 0.96
						8 / 1.00	15 / 1.00	23 / 0.99	30 / 0.99	30 / 0.99	30 / 0.99	30 / 0.98	30 / 0.97	30 / 0.97	30 / 0.97	30 / 0.96	30 / 0.96
						8 / 1.00	15 / 1.00	23 / 0.99	30 / 0.99	30 / 0.99	30 / 0.99	30 / 0.98	30 / 0.97	30 / 0.97	30 / 0.97	30 / 0.96	30 / 0.96

NOTES:
 1. Do not exceed 61 meters linear line length.
 2. Do not exceed 30 meters vertical separation if outdoor unit is above indoor unit.
 3. **19.05 mm [3/4 in.] suction line should only be used for 1.5 ton systems if outdoor unit is below or at same level as indoor to assure proper oil return.
 4. Always use the smallest liquid line allowable to minimize refrigerant charge.
 5. Applications shaded in light gray indicate capacity multipliers between 0.90 and 0.96 which are not recommended, but are allowed.
 6. Applications shaded in dark gray are not recommended due to excessive liquid or suction pressure drop.

13 - 14 SEER Single-Stage Air-Conditioners															
Unit Size	Allowable Liquid Line Size mm [in.]	Allowable Suction Line Size mm [in.]	Apply Long Line Guidelines if Linear Line Length Exceeds Those Shown Below (Meters)			Equivalent Length (Meters)									
			WA13	WA14 A/B	WA14 W	< 8	8-15	16-23	24-30	31-38	39-46	47-53	54-61	62-69	70-76
			Maximum Vertical Rise (Outdoor Unit Below Indoor Unit) * / Capacity Multiplier												
14.1 kW [4 Ton]	9.53 [3/8]	19.05 [3/4]	25	25	0	8 / 0.99	15 / 0.98	23 / 0.96	24 / 0.95	20 / 0.93	17 / 0.92	14 / 0.91	N/R	N/R	N/R
	12.70 [1/2]	19.05 [3/4]	12	12	0	8 / 0.99	15 / 0.98	23 / 0.96	30 / 0.95	30 / 0.93	30 / 0.92	30 / 0.91	N/R	N/R	N/R
	9.53 [3/8]	22.23 [7/8]	25	25	0	8 / 1.00	15 / 0.99	23 / 0.99	24 / 0.98	20 / 0.97	17 / 0.97	14 / 0.96	11 / 0.96	8 / 0.95	5 / 0.95
	12.70 [1/2]	22.23 [7/8]	12	12	0	8 / 1.00	15 / 0.99	23 / 0.99	30 / 0.98	30 / 0.97	30 / 0.97	30 / 0.96	30 / 0.96	30 / 0.95	30 / 0.95
17.6 kW [5 Ton]	9.53 [3/8]	19.05 [3/4]	0	0	0	8 / 0.99	15 / 0.97	23 / 0.94	19 / 0.92	14 / 0.90	N/R	N/R	N/R	N/R	N/R
	12.70 [1/2]	19.05 [3/4]	0	0	0	8 / 0.99	15 / 0.97	23 / 0.94	30 / 0.92	30 / 0.90	N/R	N/R	N/R	N/R	N/R
	9.53 [3/8]	22.23 [7/8]	0	0	0	8 / 1.00	15 / 0.99	23 / 0.98	19 / 0.97	14 / 0.96	10 / 0.95	5 / 0.94	N/R	N/R	N/R
	12.70 [1/2]	22.23 [7/8]	0	0	0	8 / 1.00	15 / 0.99	23 / 0.98	30 / 0.97	30 / 0.96	30 / 0.95	30 / 0.94	29 / 0.94	28 / 0.93	27 / 0.92
	9.53 [3/8]	28.58 [1-1/8]	0	0	0	8 / 1.01	15 / 1.01	23 / 1.00	19 / 1.00	14 / 0.99	10 / 0.99	5 / 0.99	N/R	N/R	N/R
	12.70 [1/2]	28.58 [1-1/8]	0	0	0	8 / 1.01	15 / 1.01	23 / 1.00	30 / 1.00	30 / 0.99	30 / 0.99	30 / 0.99	29 / 0.99	28 / 0.99	27 / 0.98

NOTES:

- Do not exceed 61 meters linear line length.
- *Do not exceed 30 meters vertical separation if outdoor unit is above indoor unit.
- **19.05 mm [3/4 in.] suction line should only be used for 1.5 ton systems if outdoor unit is below or at same level as indoor to assure proper oil return.
- Always use the smallest liquid line allowable to minimize refrigerant charge.
- Applications shaded in light gray indicate capacity multipliers between 0.90 and 0.96 which are not recommended, but are allowed.
- Applications shaded in dark gray are not recommended due to excessive liquid or suction pressure drop.

Performance Data @ AHRI Standard Conditions—Cooling

Note: Ratings contained in this document are subject to change. For up-to-date and expanded ratings, please visit the AHRI web site (www.ahridirectory.org).

High Sales Volume Tested Combination (HSVTC)							
Outdoor Unit	Indoor Coil or Air Handler	Total Capacity BTU/H [kW]	Net Sensible BTU/H [kW]	Net Latent BTU/H [kW]	SEER	EER	Indoor CFM [L/s]
WA1318AJ1	TCFL-H*2417+RXMD-C04	17800 [5.2]	13300 [3.9]	4500 [1.3]	13.00	11.00	575 [271.4]
WA1324AJ1	TCFL-H*2417+RXMD-C04	23200 [6.8]	17400 [5.1]	5800 [1.7]	13.00	11.00	775 [365.8]
WA1330BJ1	TCF3617STA+RXMD-C04	27400 [8.0]	20300 [5.9]	7100 [2.1]	13.00	10.50	975 [460.1]
WA1336AC1	TCFL-H*3617+RXMD-C04	34200 [10.0]	24100 [7.1]	10100 [3.0]	13.00	11.00	1000 [471.9]
WA1336AD1	TCFL-H*3617+RXMD-C04	34200 [10.0]	24100 [7.1]	10100 [3.0]	13.00	11.00	1000 [471.9]
WA1336AJ1	TCFL-H*3617+RXMD-C04	34200 [10.0]	24100 [7.1]	10100 [3.0]	13.00	11.00	1000 [471.9]
WA1342AC1	TCFL-H*4821+RXMD-C04	39500 [11.6]	28900 [8.5]	10600 [3.1]	13.00	11.00	1375 [648.9]
WA1342AD1	TCFL-H*4821+RXMD-C04	39500 [11.6]	28900 [8.5]	10600 [3.1]	13.00	11.00	1375 [648.9]
WA1342AJ1	TCFL-H*4821+RXMD-C04	39500 [11.6]	28900 [8.5]	10600 [3.1]	13.00	11.00	1375 [648.9]
WA1348BC1	TCF4821STA+RXMD-C04	47500 [13.9]	34400 [10.1]	13100 [3.8]	13.00	11.00	1550 [731.5]
WA1348BD1	TCF4821STA+RXMD-C04	47500 [13.9]	34400 [10.1]	13100 [3.8]	13.00	11.00	1550 [731.5]
WA1348BJ1	TCF4821STA+RXMD-C04	47500 [13.9]	34400 [10.1]	13100 [3.8]	13.00	11.00	1550 [731.5]
WA1360BC1	TCFL-H*6024+RXMD-C04	56500 [16.6]	39000 [11.4]	17500 [5.1]	13.00	10.50	1500 [707.9]
WA1360AD1	TCFL-H*6024+RXMD-C04	56500 [16.6]	39000 [11.4]	17500 [5.1]	13.00	10.50	1500 [707.9]
WA1360BJ1	TCFL-H*6024+RXMD-C04	56500 [16.6]	39000 [11.4]	17500 [5.1]	13.00	10.50	1500 [707.9]

[] Designates Metric Conversions

Performance Data @ AHRI Standard Conditions—Cooling

Note: Ratings contained in this document are subject to change. For up-to-date and expanded ratings, please visit the AHRI web site (www.ahridirectory.org).

Coil Only Ratings							
Outdoor Unit	Indoor Coil	Total Capacity BTU/H [kW]	Net Sensible BTU/H [kW]	Net Latent BTU/H [kW]	SEER	EER	Indoor CFM [L/s]
WA1318AJ1	TCF2414STA+RXMD-C04	17900 [5.2]	13500 [4.0]	4400 [1.3]	13.00	11.00	600 [283.2]
	TCF2417HTA+RXMD-C04	17800 [5.2]	12800 [3.8]	5000 [1.5]	13.00	11.00	600 [283.2]
	TCF2417MTA+RXMD-C04	17800 [5.2]	12800 [3.8]	5000 [1.5]	13.00	11.00	600 [283.2]
	TCF2417STA+RXMD-C04	17700 [5.2]	13100 [3.8]	4600 [1.3]	13.00	11.00	600 [283.2]
	TCF2421MTA+RXMD-C04	17800 [5.2]	12800 [3.8]	5000 [1.5]	13.00	11.00	600 [283.2]
	TCF2421HTA+RXMD-C04	17800 [5.2]	12800 [3.8]	5000 [1.5]	13.00	11.00	600 [283.2]
WA1324AJ1	TCF2414STA+RXMD-C04	23600 [6.9]	18300 [5.4]	5300 [1.6]	13.00	11.00	800 [377.6]
	TCF2417HTA+RXMD-C04	23200 [6.8]	17100 [5.0]	6100 [1.8]	13.00	11.00	800 [377.6]
	TCF2417MTA+RXMD-C04	23200 [6.8]	17100 [5.0]	6100 [1.8]	13.00	11.00	800 [377.6]
	TCF2417STA+RXMD-C04	23400 [6.9]	17800 [5.2]	5600 [1.6]	13.00	11.00	800 [377.6]
	TCF2421MTA+RXMD-C04	23200 [6.8]	17100 [5.0]	6100 [1.8]	13.00	11.00	800 [377.6]
	TCF2421HTA+RXMD-C04	23200 [6.8]	17100 [5.0]	6100 [1.8]	13.00	11.00	800 [377.6]
WA1330BJ1	TCF3621MTA+RXMD-C04	29400 [8.6]	21300 [6.2]	8100 [2.4]	13.00	11.00	1000 [471.9]
	TCF3624HTA+RXMD-C04	29800 [8.7]	21300 [6.2]	8500 [2.5]	13.00	11.00	1000 [471.9]
	TCF3624MTA+RXMD-C04	29400 [8.6]	21300 [6.2]	8100 [2.4]	13.00	11.00	1000 [471.9]
WA1336AC1	TCF3617STA+RXMD-C04	34000 [10.0]	23800 [7.0]	10200 [3.0]	13.00	10.50	1075 [507.3]
	TCF3621HTA+RXMD-C04	36000 [10.6]	25300 [7.4]	10700 [3.1]	13.00	11.00	1200 [566.3]
	TCF3621MTA+RXMD-C04	36000 [10.6]	25300 [7.4]	10700 [3.1]	13.00	11.00	1200 [566.3]
	TCF3621STA+RXMD-C04	34400 [10.1]	24000 [7.0]	10400 [3.0]	13.00	10.50	1175 [554.5]
	TCF3624HTA+RXMD-C04	36000 [10.6]	25300 [7.4]	10700 [3.1]	13.00	11.00	1200 [566.3]
	TCF3624MTA+RXMD-C04	36000 [10.6]	25300 [7.4]	10700 [3.1]	13.00	11.00	1200 [566.3]
WA1336AD1	TCF3617STA+RXMD-C04	34000 [10.0]	23800 [7.0]	10200 [3.0]	13.00	10.50	1075 [507.3]
	TCF3621HTA+RXMD-C04	36000 [10.6]	25300 [7.4]	10700 [3.1]	13.00	11.00	1200 [566.3]
	TCF3621MTA+RXMD-C04	36000 [10.6]	25300 [7.4]	10700 [3.1]	13.00	11.00	1200 [566.3]
	TCF3621STA+RXMD-C04	34400 [10.1]	24000 [7.0]	10400 [3.0]	13.00	10.50	1175 [554.5]
	TCF3624HTA+RXMD-C04	36000 [10.6]	25300 [7.4]	10700 [3.1]	13.00	11.00	1200 [566.3]
	TCF3624MTA+RXMD-C04	36000 [10.6]	25300 [7.4]	10700 [3.1]	13.00	11.00	1200 [566.3]
WA1336AJ1	TCF3617STA+RXMD-C04	34000 [10.0]	23800 [7.0]	10200 [3.0]	13.00	10.50	1075 [507.3]
	TCF3621HTA+RXMD-C04	36000 [10.6]	25300 [7.4]	10700 [3.1]	13.00	11.00	1200 [566.3]
	TCF3621MTA+RXMD-C04	36000 [10.6]	25300 [7.4]	10700 [3.1]	13.00	11.00	1200 [566.3]
	TCF3621STA+RXMD-C04	34400 [10.1]	24000 [7.0]	10400 [3.0]	13.00	10.50	1175 [554.5]
	TCF3624HTA+RXMD-C04	36000 [10.6]	25300 [7.4]	10700 [3.1]	13.00	11.00	1200 [566.3]
	TCF3624MTA+RXMD-C04	36000 [10.6]	25300 [7.4]	10700 [3.1]	13.00	11.00	1200 [566.3]
WA1342AC1	TCF4821MTA+RXMD-C04	41500 [12.2]	31100 [9.1]	10400 [3.0]	13.00	11.00	1400 [660.7]
	TCF4821STA+RXMD-C04	40000 [11.7]	29700 [8.7]	10300 [3.0]	13.00	11.00	1375 [648.9]
	TCF4824HTA+RXMD-C04	42000 [12.3]	31400 [9.2]	10600 [3.1]	13.00	11.00	1400 [660.7]
	TCF4824STA+RXMD-C04	40000 [11.7]	29700 [8.7]	10300 [3.0]	13.00	11.00	1375 [648.9]
WA1342AD1	TCF4821MTA+RXMD-C04	41500 [12.2]	31100 [9.1]	10400 [3.0]	13.00	11.00	1400 [660.7]
	TCF4821STA+RXMD-C04	40000 [11.7]	29700 [8.7]	10300 [3.0]	13.00	11.00	1375 [648.9]
	TCF4824HTA+RXMD-C04	42000 [12.3]	31400 [9.2]	10600 [3.1]	13.00	11.00	1400 [660.7]
	TCF4824STA+RXMD-C04	40000 [11.7]	29700 [8.7]	10300 [3.0]	13.00	11.00	1375 [648.9]
WA1342AJ1	TCF4821MTA+RXMD-C04	41500 [12.2]	31100 [9.1]	10400 [3.0]	13.00	11.00	1400 [660.7]
	TCF4821STA+RXMD-C04	40000 [11.7]	29700 [8.7]	10300 [3.0]	13.00	11.00	1375 [648.9]
	TCF4824HTA+RXMD-C04	42000 [12.3]	31400 [9.2]	10600 [3.1]	13.00	11.00	1400 [660.7]
	TCF4824STA+RXMD-C04	40000 [11.7]	29700 [8.7]	10300 [3.0]	13.00	11.00	1375 [648.9]

[] Designates Metric Conversions

Performance Data @ AHRI Standard Conditions—Cooling

Note: Ratings contained in this document are subject to change. For up-to-date and expanded ratings, please visit the AHRI web site (www.ahridirectory.org).

Coil Only Ratings							
Outdoor Unit	Indoor Coil	Total Capacity BTU/H [kW]	Net Sensible BTU/H [kW]	Net Latent BTU/H [kW]	SEER	EER	Indoor CFM [L/s]
WA1348BC1	TCF4821MTA+RXMD-C04	45500 [13.3]	32400 [9.5]	13100 [3.8]	13.00	11.00	1550 [731.5]
	TCF4824HTA+RXMD-C04	46500 [13.6]	33300 [9.8]	13200 [3.9]	13.00	11.00	1600 [755.1]
	TCF4824STA+RXMD-C04	43500 [12.7]	29800 [8.7]	13700 [4.0]	13.00	11.00	1375 [648.9]
WA1348BD1	TCF4821MTA+RXMD-C04	45500 [13.3]	32400 [9.5]	13100 [3.8]	13.00	11.00	1550 [731.5]
	TCF4824HTA+RXMD-C04	46500 [13.6]	33300 [9.8]	13200 [3.9]	13.00	11.00	1600 [755.1]
	TCF4824STA+RXMD-C04	43500 [12.7]	29800 [8.7]	13700 [4.0]	13.00	11.00	1375 [648.9]
WA1348BJ1	TCF4821MTA+RXMD-C04	45500 [13.3]	32400 [9.5]	13100 [3.8]	13.00	11.00	1550 [731.5]
	TCF4824HTA+RXMD-C04	46500 [13.6]	33300 [9.8]	13200 [3.9]	13.00	11.00	1600 [755.1]
	TCF4824STA+RXMD-C04	43500 [12.7]	29800 [8.7]	13700 [4.0]	13.00	11.00	1375 [648.9]
WA1360BC1	TCF6024HTA+RXMD-C04	58000 [17.0]	37400 [11.0]	20600 [6.0]	13.00	11.00	1600 [755.1]
	TCF6024STA+RXMD-C04	58000 [17.0]	37400 [11.0]	20600 [6.0]	13.00	11.00	1600 [755.1]
WA1360AD1	TCF6024HTA+RXMD-C04	57000 [16.7]	37400 [11.0]	19600 [5.7]	13.00	10.50	1625 [766.9]
	TCF6024STA+RXMD-C04	57000 [16.7]	37400 [11.0]	19600 [5.7]	13.00	10.50	1625 [766.9]
WA1360BJ1	TCF6024HTA+RXMD-C04	58000 [17.0]	37400 [11.0]	20600 [6.0]	13.00	11.00	1600 [755.1]
	TCF6024STA+RXMD-C04	58000 [17.0]	37400 [11.0]	20600 [6.0]	13.00	11.00	1600 [755.1]

[] Designates Metric Conversions

Performance Data @ AHRI Standard Conditions—Cooling

Note: Ratings contained in this document are subject to change. For up-to-date and expanded ratings, please visit the AHRI web site (www.ahridirectory.org).

Air Handler Ratings							
Outdoor Unit	Air Handler	Total Capacity BTU/H [kW]	Net Sensible BTU/H [kW]	Net Latent BTU/H [kW]	SEER	EER	Indoor CFM [L/s]
WA1318AJ1	RF1P1821STAN	17700 [5.2]	13300 [3.9]	4400 [1.3]	13.00	11.00	550 [259.6]
	RF1T2421MTAN	18000 [5.3]	13400 [3.9]	4600 [1.3]	13.00	11.00	625 [295.0]
	WBHP-17	17900 [5.2]	12400 [3.6]	5500 [1.6]	13.00	11.00	600 [283.2]
	WH1P1817STAN	17900 [5.2]	13300 [3.9]	4600 [1.3]	13.00	11.00	600 [283.2]
	WH1T2417STAN	18000 [5.3]	13400 [3.9]	4600 [1.3]	13.00	11.00	600 [283.2]
WA1324AJ1	RF1P2421STAN	23400 [6.9]	18000 [5.3]	5400 [1.6]	13.00	11.00	800 [377.6]
	RF1T2421MTAN	23800 [7.0]	18400 [5.4]	5400 [1.6]	13.00	11.00	800 [377.6]
	WBHP-17	23600 [6.9]	16600 [4.9]	7000 [2.1]	13.00	11.00	800 [377.6]
	WH1P2417STAN	23600 [6.9]	18000 [5.3]	5600 [1.6]	13.00	11.00	800 [377.6]
	WH1T2417STAN	24000 [7.0]	18400 [5.4]	5600 [1.6]	13.00	11.00	800 [377.6]
WA1330BJ1	RF1P3024STAN	28800 [8.4]	20900 [6.1]	7900 [2.3]	13.00	11.00	900 [424.8]
	RF1T3624MTAN	29800 [8.7]	22200 [6.5]	7600 [2.2]	13.00	11.00	1025 [483.7]
	WBHP-21	29000 [8.5]	19600 [5.7]	9400 [2.8]	13.00	11.00	1000 [471.9]
	WH1P3017STAN	27800 [8.1]	20800 [6.1]	7000 [2.1]	13.00	11.00	950 [448.4]
	WH1T3617STAN	28600 [8.4]	21700 [6.4]	6900 [2.0]	13.00	11.00	1000 [471.9]
WA1336AC1	WH1T3621MTAN	30000 [8.8]	21800 [6.4]	8200 [2.4]	13.00	11.00	975 [460.1]
	RF1P3624STAN	35800 [10.5]	26600 [7.8]	9200 [2.7]	13.00	11.00	1100 [519.1]
	RF1T3624MTAN	36000 [10.6]	26400 [7.7]	9600 [2.8]	13.00	11.00	1025 [483.7]
	WBHP-21	35800 [10.5]	25200 [7.4]	10600 [3.1]	13.00	11.00	1200 [566.3]
	WH1T3617STAN	34400 [10.1]	24200 [7.1]	10200 [3.0]	13.00	11.00	1000 [471.9]
	WH1T3621HTAN	36000 [10.6]	25300 [7.4]	10700 [3.1]	13.00	11.00	1000 [471.9]
WA1336AD1	WH1T3621MTAN	36000 [10.6]	25300 [7.4]	10700 [3.1]	13.00	11.00	1150 [542.7]
	RF1P3624STAN	35800 [10.5]	26600 [7.8]	9200 [2.7]	13.00	11.00	1100 [519.1]
	RF1T3624MTAN	36000 [10.6]	26400 [7.7]	9600 [2.8]	13.00	11.00	1025 [483.7]
	WBHP-21	35800 [10.5]	25200 [7.4]	10600 [3.1]	13.00	11.00	1200 [566.3]
	WH1T3617STAN	34400 [10.1]	24200 [7.1]	10200 [3.0]	13.00	11.00	1000 [471.9]
	WH1T3621HTAN	36000 [10.6]	25300 [7.4]	10700 [3.1]	13.00	11.00	1000 [471.9]
WA1336AJ1	WH1T3621MTAN	36000 [10.6]	25300 [7.4]	10700 [3.1]	13.00	11.00	1150 [542.7]
	RF1P3624STAN	35800 [10.5]	26600 [7.8]	9200 [2.7]	13.00	11.00	1100 [519.1]
	RF1T3624MTAN	36000 [10.6]	26400 [7.7]	9600 [2.8]	13.00	11.00	1025 [483.7]
	WBHP-21	35800 [10.5]	25200 [7.4]	10600 [3.1]	13.00	11.00	1200 [566.3]
	WH1T3617STAN	34400 [10.1]	24200 [7.1]	10200 [3.0]	13.00	11.00	1000 [471.9]
	WH1T3621HTAN	36000 [10.6]	25300 [7.4]	10700 [3.1]	13.00	11.00	1000 [471.9]
WA1342AC1	WH1T3621MTAN	36000 [10.6]	25300 [7.4]	10700 [3.1]	13.00	11.00	1150 [542.7]
	WBHP-24	40500 [11.9]	29800 [8.7]	10700 [3.1]	13.00	11.00	1400 [660.7]
	WH1P4221STAN	40000 [11.7]	29400 [8.6]	10600 [3.1]	13.00	11.00	1325 [625.3]
	WH1T4821MTAN	42000 [12.3]	31600 [9.3]	10400 [3.0]	13.00	11.00	1400 [660.7]
WA1342AD1	WH1T4821STAN	41000 [12.0]	30700 [9.0]	10300 [3.0]	13.00	11.00	1400 [660.7]
	WBHP-24	40500 [11.9]	29800 [8.7]	10700 [3.1]	13.00	11.00	1400 [660.7]
	WH1P4221STAN	40000 [11.7]	29400 [8.6]	10600 [3.1]	13.00	11.00	1325 [625.3]
	WH1T4821MTAN	42000 [12.3]	31600 [9.3]	10400 [3.0]	13.00	11.00	1400 [660.7]
WA1342AJ1	WH1T4821STAN	41000 [12.0]	30700 [9.0]	10300 [3.0]	13.00	11.00	1400 [660.7]
	WBHP-24	40500 [11.9]	29800 [8.7]	10700 [3.1]	13.00	11.00	1400 [660.7]
	WH1P4221STAN	40000 [11.7]	29400 [8.6]	10600 [3.1]	13.00	11.00	1325 [625.3]
	WH1T4821MTAN	42000 [12.3]	31600 [9.3]	10400 [3.0]	13.00	11.00	1400 [660.7]

[] Designates Metric Conversions

Performance Data @ AHRI Standard Conditions—Cooling

Note: Ratings contained in this document are subject to change. For up-to-date and expanded ratings, please visit the AHRI web site (www.ahridirectory.org).

Air Handler Ratings							
Outdoor Unit	Air Handler	Total Capacity BTU/H [kW]	Net Sensible BTU/H [kW]	Net Latent BTU/H [kW]	SEER	EER	Indoor CFM [L/s]
WA1348BC1	WBHP-24	44500 [13.0]	29200 [8.6]	15300 [4.5]	13.00	11.00	1400 [660.7]
	WH1P4821STAN	43500 [12.7]	30900 [9.1]	12600 [3.7]	13.00	11.00	1275 [601.7]
	WH1T4821MTAN	46000 [13.5]	32300 [9.5]	13700 [4.0]	13.00	11.00	1400 [660.7]
	WH1T4821STAN	45000 [13.2]	33100 [9.7]	11900 [3.5]	13.00	11.00	1400 [660.7]
	WH1T4824STAN	45500 [13.3]	34600 [10.1]	10900 [3.2]	13.00	11.00	1550 [731.5]
WA1348BD1	WBHP-24	44500 [13.0]	29200 [8.6]	15300 [4.5]	13.00	11.00	1400 [660.7]
	WH1P4821STAN	43500 [12.7]	30900 [9.1]	12600 [3.7]	13.00	11.00	1275 [601.7]
	WH1T4821MTAN	46000 [13.5]	32300 [9.5]	13700 [4.0]	13.00	11.00	1400 [660.7]
	WH1T4821STAN	45000 [13.2]	33100 [9.7]	11900 [3.5]	13.00	11.00	1400 [660.7]
	WH1T4824STAN	45500 [13.3]	34600 [10.1]	10900 [3.2]	13.00	11.00	1550 [731.5]
WA1348BJ1	WBHP-24	44500 [13.0]	29200 [8.6]	15300 [4.5]	13.00	11.00	1400 [660.7]
	WH1P4821STAN	43500 [12.7]	30900 [9.1]	12600 [3.7]	13.00	11.00	1275 [601.7]
	WH1T4821MTAN	46000 [13.5]	32300 [9.5]	13700 [4.0]	13.00	11.00	1400 [660.7]
	WH1T4821STAN	45000 [13.2]	33100 [9.7]	11900 [3.5]	13.00	11.00	1400 [660.7]
	WH1T4824STAN	45500 [13.3]	34600 [10.1]	10900 [3.2]	13.00	11.00	1550 [731.5]
WA1360BC1	WBHP-25	55500 [16.3]	38200 [11.2]	17300 [5.1]	13.00	11.00	1800 [849.5]
	WH1T6024STAN	58500 [17.1]	37900 [11.1]	20600 [6.0]	13.00	11.00	1600 [755.1]
WA1360AD1	WBHP-25	55500 [16.3]	38200 [11.2]	17300 [5.1]	13.00	11.00	1800 [849.5]
	WH1T6024STAN	57500 [16.9]	38700 [11.3]	18800 [5.5]	13.00	11.00	1600 [755.1]
WA1360BJ1	WBHP-25	55500 [16.3]	38200 [11.2]	17300 [5.1]	13.00	11.00	1800 [849.5]
	WH1T6024STAN	58500 [17.1]	37900 [11.1]	20600 [6.0]	13.00	11.00	1600 [755.1]

[] Designates Metric Conversions

GENERAL TERMS OF LIMITED WARRANTY*

WeatherKing will furnish a replacement for any part of this product which fails in normal use and service within the applicable period stated, in accordance with the terms of the limited warranty.

Parts.....Five (5) Years

***For complete details of the Limited and Conditional Warranties, including applicable terms and conditions, contact your local contractor or the Manufacturer for a copy of the product warranty certificate.**

Before proceeding with installation, refer to installation instructions packaged with each model, as well as complying with all Federal, State, Provincial, and Local codes, regulations, and practices.



"In keeping with its policy of continuous progress and product improvement, WeatherKing reserves the right to make changes without notice."