

**Wired Remote Controller (Touch Panel)**

Job Name: \_\_\_\_\_  
 Location: \_\_\_\_\_  
 Engineer: \_\_\_\_\_  
 Submitted to: \_\_\_\_\_  
 Submitted by: \_\_\_\_\_  
 Reference: \_\_\_\_\_

Date: \_\_\_\_\_  
 Approval: \_\_\_\_\_  
 Construction: \_\_\_\_\_  
 Unit #: \_\_\_\_\_  
 Drawing #: \_\_\_\_\_



**General Features**

Wired touch screen remote controller with backlight that connects to the VRF indoor units using 2-wires. Individual or group control of up to 16 indoor units.

- Operation modes: Auto/Cool/Dry/Fan/Heat
  - Various timer setup (on/off/weekly) are possible
  - Auto ON or OFF timer – this feature is used to start/stop the indoor unit operation for early boost/startup or early shutdown.
  - Weekly timer:
    - a. Start/stop function twice per day
    - b. Operating time can be set in 30-minute increments
    - c. The OFF timer can be carried over to the next day
  - Vacation schedule
  - Built-in Temperature sensor. Sensing can be set to measure temperature at the Remote or at Indoor unit.
  - Additional Custom Settings:
    - Set temperature Auto Return
    - Set temperature Range Setting,
    - Away Setting,
    - Error History,
    - Anti Freeze,
    - Filter Reset,
    - R.C. Master/Slave Setting,
    - Language Setting.
- This remote controller is compatible with all VRF A\*\*\*TLAV indoor units.  
 • This remote controller is not compatible with all VRF A\*\*\*RLAV indoor units.

**Temperature Setting Range**

Cooling °F (°C) ..... 64 - 88 (18 - 30)  
 Heating °F (°C) ..... 48 - 88 (10 - 30)

**Weight and Dimensions**

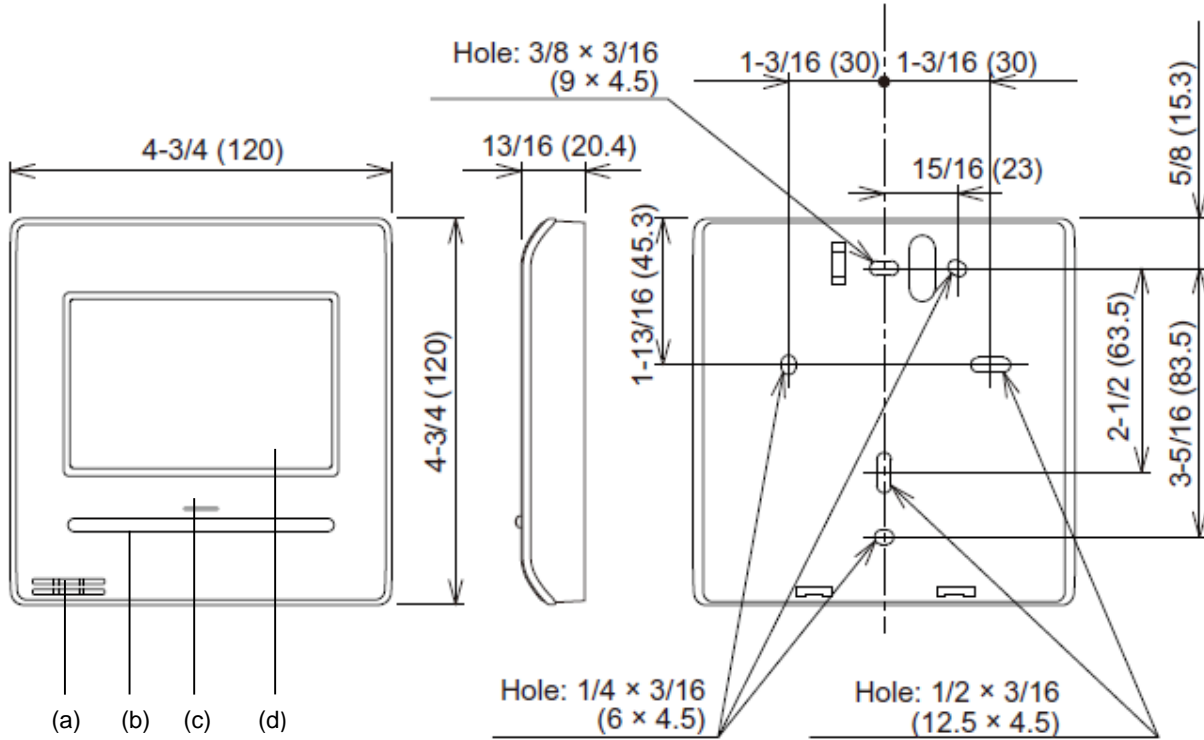
Weight oz (g) ..... 8 (220g)  
 Dim.Net (HxWxD) – in(mm)..... 4-3/4x4-3/4x11/16  
 (120x120x20.4)

**Electrical**

Input Voltage DC V ..... 12  
 Power consumption W ..... Max 0.3  
 Wire Size AWG (mm<sup>2</sup>) ..... 22 to 16 (0.33 to 1.25)  
 Non polar 2 core sheathed twisted pair cable  
 Thermostat Wiring AWG (mm<sup>2</sup>) ..... 18 (0.75)  
 2 core sheathed non twisted pair cable  
 Display..... 3.8 inch backlight LCD Touch display  
 (255x160 dots)

DIMENSIONS

Unit : in. (mm)



- (a) Room temperature sensor
- (b) Operation (occupied/unoccupied) button
- (c) LED lamp (operation indicator)
- (d) Touch panel display