

# Peerless® Partner® PV

## Indirect-Fired Water Heaters



### Standard Equipment

- > High Accuracy Temperature Control
- > T&P Relief Valve
- > Super Insulated to Reduce Tank Heat Loss
- > Seamless, Long-life Thermoplastic Construction

### Peerless® Partner PV® Features

- Available in 30, 55, 80 and 119 gallon capacities—a variety of sizes to help you match your domestic hot water requirements
- Durable and light-weight design is impervious to water quality variations
- Easy-to-use temperature control provides extremely accurate temperature selection
- Easy to install and no required maintenance
- High efficiency insulation provides low stand-by losses
- Removable copper coil

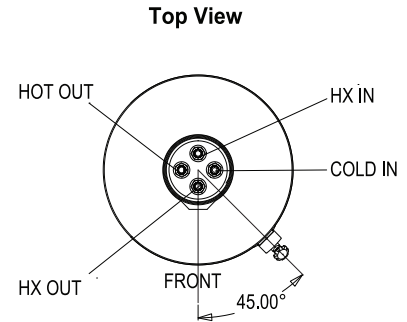


The Peerless® Partner PV® indirect-fired water heater includes a 10-year, non-prorated residential warranty and a 5-year non-prorated warranty when used in commercial applications. Optional lifetime coverage is available on residential applications.



## Peerless® Partner® PV Tank Dimensions

Boiler Model Number	Height	Diameter
PV-40	40.5"	22.75"
PV-60	41"	28"
PV-80	53.5"	28"
PV-120	74"	28"



## Peerless® Partner® PV Ratings



Water Heater Model Number	Potable Water Volume, gallons	Standby Loss, °F/h	Continuous Draw, gal/h	First Hour Rating, gal/h	Min Heat Source output, MBH	Min Heat Source Flow, gpm output, MBH	Heat Source Friction Loss, feet	Domestic Water Connection Sizes (NPT)	Boiler Connection Sizes (NPT)
PV-40	30.0	0.8	177	199	115000	8.0	18.7	3/4"	3/4"
PV-60	55.0	0.6	177	217	115000	8.0	18.7	3/4"	3/4"
PV 80	80.0	0.4	315	381	199000	14.0	16.0	1-1/2"	1"
PV-120	119.0	0.4	381	477	244000	14.0	20.0	1-1/2"	1"

These ratings were obtained with a heat source output and heat source flow rate as listed in the chart using the parameters of the Domestic Cold Water inlet at 58°F, Domestic Temperature Rise of 77°F and Boiler Temperature Output of 180°F. Other results will be obtained under different conditions.

## Peerless® Partner® PV Carton Dimensions & Shipping Weights

Boiler Model Number	Length	Width	Height	Approximate Shipping Weight (lbs.)
PV-40	25"	25"	44"	70
PV-60	30"	30"	44"	95
PV-80*	29"	30"	60"	125
PV-120**	29"	29"	80"	155

\*Carton shipped on pallet; pallet dimension 29" x 30"

\*\*Tank shipped shrink-wrapped on pallet; pallet dimension 29" x 30"



PeerlessBoilers.com



Printed on Recycled Paper

PeerlessBoilers.com

CUT-PARTNER-PV R0 (3/18-5M)  
Printed in U.S.A.  
©2018 PB Heat, LLC. All rights reserved.