

MAKING MODERN LIVING POSSIBLE

*Danfoss*



# Dependable. Danfoss Optyma™ Condensing Units

REFRIGERATION AND  
AIR CONDITIONING

OPTYMA™

DANFOSS CONDENSING UNITS

# Danfoss Optyma Condensing Units: Dependable.

**The optimum choice in condensing units** - Danfoss condensing units offer a complete range, from 1/6 to 13 1/2 hp. This optimum range is durable and compact, with components and construction that ensure extended lifetime reliability. A wider operating envelope delivers optimum performance even at higher ambient conditions.

Optimum range and optimum reliability are matched by optimum support. And Danfoss has an authorized wholesaler network and local Danfoss sales representatives to assist with product selection. The new Danfoss condensing units are easy to select, install and maintain.

Danfoss Optyma condensing units are not just dependable; they are Danfoss Dependable.

## Advantages

- Condenser designed for dependable performance in the toughest of high ambient conditions
- Complete line from 1/6 - 13 1/2 hp
- Units available for R134a, R22, R404A, and R12 replacement refrigerants
- Easy access service valves on all units
- Universal High/Medium/Low range in R-404A fractional units
- Compact design
- 100% factory tested

## Fractional

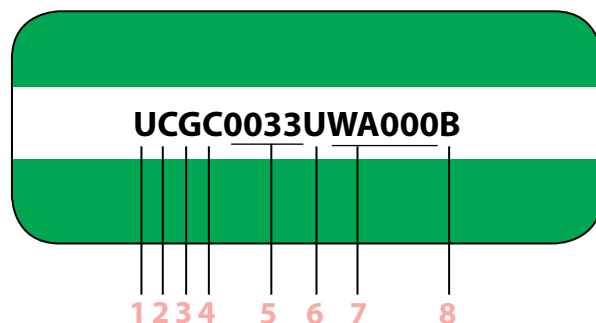
- Quiet, efficient hermetic compressors, factory mounted and factory wired
- Base mounted service valves with access port
- Durable 14 gauge painted steel base plate
- Metal fan shroud and guard

## Integral

- Dependable refrigerant cooled hermetic compressors (1 1/2 hp and above)
- Low pressure control on 1 hp unit
- Dual pressure control with universal Auto/Manual reset on 1 1/2 hp and above
- Self-regulating PTC crank case heater on 1 1/2 hp and above
- Lifting slots for easy and safe handling
- Versions available for indoor and outdoor applications
- Compressor sight glass on 1 1/2 hp and above
- Receiver with liquid shut-off, and fuseable plug standard on all units
- Durable 12 gauge painted steel base plate
- Pre-wired metal electrical box
- Cartridge fan cycling control on 1 hp to 3 hp single fan units
- Units larger than 3 hp use KPU fan cycling control

## Condensing Unit Nomenclature

1. Application
2. Design
3. Refrigerant
4. Condenser size
5. hp rating
6. Certification
7. Version
8. Electrical code



Low	1	L
Medium/High		H
Universal Low/Med/High		U

<b>C:</b> Air cooled condenser, single fan, hermetic compressor	2
<b>G:</b> Air cooled condenser, dual fan, hermetic compressor	

R12 replacement	3	B
R134a		G
R404A/R507		H
R22		M
R404A/R134a/R507/R407C		Z

Condenser size - sized to 110°F ambient

hp rating in hundredths of hp - i.e. 0033 = 1/3 hp  
1000 = 10 hp

<b>R:</b> UL Recognized	6
<b>U:</b> UL Listed	

<b>W</b>	=	<b>Wholesale model</b>	7
<b>A</b>	=	<b>Power cord</b>	
<b>B</b>	=	<b>Power cord, receiver</b>	
<b>C</b>	=	<b>BX, receiver</b>	
<b>D</b>	=	<b>BX, receiver, low pressure control</b>	
<b>E</b>	=	<b>BX, receiver, dual pressure control, fan cycling control, larger than 3 hp dual fan units use KPU fan cycling control</b>	
<b>F</b>	=	<b>WE + filter drier, sight glass, solenoid valve with coil</b>	
Fan Motor Version			
000	=	Standard unit	
300	=	Complies with California standards	

<b>B:</b> Compressor & fan(s) 115V, 1 ph, 60 Hz	8
<b>N:</b> Compressor & fan(s) 230V, 1 ph, 60 Hz	
<b>Q:</b> Compressor 208-230V, 3 ph, 60 Hz; Fan(s) 230V, 1 ph, 60 Hz	
<b>R:</b> Compressor 460V, 3 ph, 60 Hz; Fan(s) 460V, 1 ph, 60 Hz	

Rating Conditions (ARI)		
Application	LBP	MBP/HBP
Ambient Temp	90°F	90°F
Return Gas	40°F	65°F
SubCooling	5°F	5°F

## Condensing Unit for R12 Replacement High/Medium Temperature Capacities

Model #	Compressor Model	HP	Available versions*	Capacity (BTU/hr) @ 90 °F ambient, at the rated ARI conditions										
				F	0	5	10	15	20	25	30	35	40	45
				C	-17.8	-15.0	-12.2	-9.4	-6.7	-3.9	-1.1	1.7	4.4	7.2
UCBC0017RW****	TFS4.5AT	1/6	A		587	684	780	889	998	1,121	1,243	1,378	1,514	1,661
UCBC0020RW****	NF6AK	1/5	A		1,001	1,138	1,275	1,433	1,591	1,771	1,950	2,151	2,352	2,569
UCBC0025RWA****	NF9AK	1/4	A,B		1,258	1,422	1,585	1,770	1,956	2,161	2,367	2,591	2,815	3,018
UCBC0025RWB****	NF9AK	1/4	A,B		1,258	1,422	1,585	1,770	1,956	2,161	2,367	2,591	2,815	3,018
UCBC0033RW****	SC12B	1/3	A,B,C		1,186	1,372	1,558	1,770	1,983	2,221	2,460	2,722	2,984	3,263
UCBC0045RW****	SC15A	1/3 +	B,C		1,916	2,196	2,477	2,796	3,116	3,476	3,837	4,238	4,639	5,068
HCBC0050RW****	T6213A	1/2	B,C			2,570	2,881	3,289	3,696	4,164	4,633	5,131	5,629	6,130
HCBC0055RW****	T6215A	1/2 +	B,C			3,671	4,116	4,698	5,279	5,949	6,618	7,330	8,041	8,757
HCBC0075RW****	J6220A	3/4	C			4,634	5,121	5,822	6,524	7,386	8,249	9,205	10,161	11,145
HCBC0100RW****	J6226A	1	D			6,551	7,126	7,724	8,322	9,102	9,881	10,899	11,917	13,117

## Condensing Unit R134a High/Medium Temperature Capacities

Model #	Compressor Model	HP	Available versions*	Capacity (BTU/hr) @ 90 °F ambient, rated at ARI conditions										
				F	0	5	10	15	20	25	30	35	40	45
				C	-17.8	-15.0	-12.2	-9.4	-6.7	-3.9	-1.1	1.7	4.4	7.2
UCGC0017RW****	TL4G	1/6	A		527	614	701	799	897	1,007	1,117	1,239	1,361	1,492
UCGC0020RW****	NF6.1FX.2	1/5	A		1,052	1,196	1,339	1,505	1,671	1,860	2,049	2,260	2,472	2,699
UCGC0025RWA****	NF7.3FX.2	1/4	A,B		1,193	1,353	1,514	1,699	1,884	2,095	2,306	2,541	2,776	3,029
UCGC0025RWB****	NF7.3FX.2	1/4	A,B		1,193	1,353	1,514	1,699	1,884	2,095	2,306	2,541	2,776	3,029
HCGC0033RWA****	NF11FX	1/3	A,B,C		1,492	1,709	1,927	2,179	2,431	2,717	3,004	3,324	3,644	3,986
HCGC0033RWB****	NF11FX	1/3	A,B,C		1,492	1,709	1,927	2,179	2,431	2,717	3,004	3,324	3,644	3,986
HCGC0033RWC****	NF11FX	1/3	A,B,C		1,492	1,709	1,927	2,179	2,431	2,717	3,004	3,324	3,644	3,986
UCGC0050RW****	SC18G	1/2	B,C		2,339	2,682	3,025	3,420	3,815	4,264	4,713	5,212	5,712	6,249
HCGC0055RW****	T6215Z1	1/2	B,C			3,091	3,466	3,956	4,446	5,009	5,573	6,172	6,771	7,374
HCGC0075RW****	J6220Z	3/4	C			4,596	5,079	5,774	6,470	7,325	8,180	9,129	10,077	11,052
HCGC0100RW****	J6226Z	1	D			6,848	7,448	8,192	8,936	9,785	10,634	11,553	12,471	13,417

## Condensing Unit R22 High/Medium Temperature Capacities

Model #	Compressor Model	HP	Available versions*	R22 Capacity (BTU/hr) @ 90 °F ambient, rated at ARI conditions											
				F	0	5	10	15	20	25	30	35	40	45	
				C	-17.8	-15.0	-12.2	-9.4	-6.7	-3.9	-1.1	1.7	4.4	7.2	
HCMC0025RWA****	NE6181E	1/4	A,B			1,959	2,174	2,440	2,705	3,009	3,313	3,644	3,975	4,320	
HCMC0025RWB****	NE6181E	1/4	A,B			1,959	2,174	2,440	2,705	3,009	3,313	3,644	3,975	4,320	
HCMC0033RWA****	NE6210E	1/3	A,B,C			2,334	2,590	2,886	3,182	3,509	3,837	4,187	4,537	4,898	
HCMC0033RWB****	NE6210E	1/3	A,B,C			2,334	2,590	2,886	3,182	3,509	3,837	4,187	4,537	4,898	
HCMC0033RWC****	NE6210E	1/3	A,B,C			2,334	2,590	2,886	3,182	3,509	3,837	4,187	4,537	4,898	
HCMC0050RW****	NE9213E	1/2	B,C			3,322	3,682	4,117	4,553	5,044	5,535	6,061	6,587	7,129	
HCMC0060RW****	T6217E	5/8	B,C			3,145	3,736	4,331	4,925	5,516	6,108	6,690	7,273	7,846	
HCMC0075RW****	T6220E	3/4	C			3,863	4,603	5,275	5,947	6,600	7,252	7,917	8,583	9,279	
HCMC0100RW****	T6222E	1	D			4,812	5,333	5,932	6,531	7,210	7,890	8,653	9,417	10,247	
HCMC0150UW****	MT18	1 1/2	E, F			4,805	5,810	6,815	8,035	9,255	10,707	12,159	13,787	15,518	17,432
HCMC0200UW****	MT22	2	E, F			7,460	8,919	10,378	12,042	13,705	15,575	17,444	19,468	21,581	23,848
HCMC0250UW****	MT28	2 1/2	E, F			10,824	12,557	14,289	16,210	18,131	20,243	22,355	24,596	26,926	29,352
HCMC0275UW****	MT36	2 3/4	E, F			13,477	15,495	17,513	19,711	21,909	24,270	26,631	29,077	31,572	34,127
HCMC0300UW****	MT40	3	E, F			14,865	17,222	19,578	22,225	24,871	27,827	30,783	33,990	37,316	40,861
HGMC0400UW****	MT50	4	E, F			17,905	20,868	23,832	27,120	30,409	34,069	37,730	41,686	45,823	50,282
HGMC0500UW****	MT64	5	E, F			24,237	27,665	31,093	35,054	39,016	43,503	47,990	52,867	57,998	63,425
HGMC0700UW****	MT80	7	E, F			30,010	34,312	38,614	43,622	48,630	54,327	60,024	66,208	72,610	79,392
HGMC0900UW****	MT100	9	E, F			36,271	42,255	48,240	55,346	62,451	70,789	79,127	88,392	98,310	109,250
HGMC1000UW****	MT125	10	E, F			47,314	54,823	62,334	71,115	79,895	90,002	100,109	111,258	123,041	135,855
HGMC1200UW****	MT144	12	E, F			53,238	61,508	69,778	79,429	89,079	100,199	111,318	123,538	136,389	150,380
HGMC1350UW****	MT160	13 1/2	E, F			58,418	67,360	76,302	86,712	97,121	109,115	121,108	134,212	148,062	163,039

## Condensing Units for R12 Replacement High/Medium Temperature Dimensions and Specifications

Model #	HP	PORTS			Width (in)	Depth (in)	Height (in)	Mounting holes (in)		Weight (lbs)	Receiver lbs @ 90%	Figure	OIL		MCA values for electrical code				Outdoor Enclosure
		Suction	Process	Liquid				A	B				Type	Charge (oz)	B	N	Q	R	
UCBC0017RW*****	1/6	3/8"F	1/4"F	1/4"F	11.2	14.0	9.0	8.7	9.5	26	----	1	ALKYLBENZENE	9	4.1	----	----	----	E1
UCBC0020RW*****	1/5	3/8"F	1/4"F	1/4"F	11.2	14.0	9.0	8.7	9.5	36	----	1	ALKYLBENZENE	11	6.1	----	----	----	E1
UCBC0025RWA****	1/4	3/8"F	1/4"F	1/4"F	11.2	14.0	9.0	8.7	9.5	38	----	1	ALKYLBENZENE	11	6.4	----	----	----	E1
UCBC0025RWB****	1/4	3/8"F	1/4"F	1/4"F	13.3	17.0	9.1	10.6	12.2	38	2.2	1	ALKYLBENZENE	11	6.4	----	----	----	E1
UCBC0033RW*****	1/3	3/8"F	1/4"F	1/4"F	13.3	17.0	10.3	10.6	12.2	39	2.2	1	ALKYLBENZENE	11	11.2	----	----	----	E1
UCBC0045RW*****	1/3 +	3/8"F	1/4"F	1/4"F	13.5	17.0	10.3	10.6	12.2	53	2.2	1	ALKYLBENZENE	20	13.4	----	----	----	E1
HCBC0050RW*****	1/2	3/8"F	1/4"F	1/4"F	13.5	18.0	11.9	10.4	11.8	53	2.2	1	ALKYLBENZENE	20	15.4	----	----	----	E1
HCBC0055RW*****	1/2 +	3/8"F	1/4"F	1/4"F	16.9	19.0	13.9	10.9	14.8	56	2.2	1	ALKYLBENZENE	20	19.3	----	----	----	E1
HCBC0075RW*****	3/4	3/8"F	1/4"F	1/4"F	16.9	19.0	13.4	10.9	14.8	85	4.0	1	ALKYLBENZENE	30	19.3	10.5	----	----	E1
HCBC0100RW*****	1	3/8"F	1/4"F	1/4"F	21.0	19.0	16.1	10.6	20.0	97	4.0	1	ALKYLBENZENE	30	---	11.3	----	----	E1

## Condensing Unit R134a High/Medium Temperature Dimensions and Specifications

Model #	HP	PORTS			Width (in)	Depth (in)	Height (in)	Mounting holes		Weight (lbs)	Receiver lbs @ 90%	Figure	OIL		MCA values for electrical code				Outdoor enclosure
		Suction	Process	Liquid				A	B				Type	Charge (oz)	B	N	Q	R	
UCGC0017RW*****	1/6	3/8"F	1/4"F	1/4"F	11	14	9.0	8.6	9.4	26	----	1	POE	9.5	4.1	----	----	----	E1
UCGC0020RW*****	1/5	3/8"F	1/4"F	1/4"F	11	14	9.0	8.6	9.4	36	----	1	POE	10.8	6.1	----	----	----	E1
UCGC0025RWA****	1/4	3/8"F	1/4"F	1/4"F	11	14	9.0	8.6	9.4	38	2.16	1	POE	10.8	6.4	----	----	----	E1
UCGC0025RWB****	1/4	3/8"F	1/4"F	1/4"F	13.5	17	9.1	10.6	12.2	38	2.16	1	POE	10.8	6.4	----	----	----	E1
HCGC0033RWA****	1/3	3/8"F	1/4"F	1/4"F	12.3	14	10.2	8.6	9.4	39	2.16	1	POE	10.8	11.7	----	----	----	E1
HCGC0033RWB****	1/3	3/8"F	1/4"F	1/4"F	13.5	17	10.3	10.6	12.2	39	2.16	1	POE	10.8	11.7	----	----	----	E1
HCGC0033RWC****	1/3	3/8"F	1/4"F	1/4"F	13.5	17	10.3	10.6	12.2	39	2.16	1	POE	10.8	11.7	----	----	----	E1
UCGC0050RW*****	1/2	3/8"F	1/4"F	1/4"F	13.5	17	11.8	10.6	12.2	53	2.16	1	POE	20.3	13.4	----	----	----	E1
HCGC0055RW*****	1/2	3/8"F	1/4"F	1/4"F	13.3	18	11.9	10.4	11.8	57	4	1	POE	19.6	15.4	----	----	----	E1
HCGC0075RW*****	3/4	3/8"F	1/4"F	1/4"F	16.9	19	13.2	10.9	14.8	85	4	1	POE	30.1	19.3	10.5	----	----	E1
HCGC0100RW*****	1	3/8"F	1/4"F	1/4"F	21.1	19	16.1	10.6	20.0	97	4	1	POE	30.1	11	----	----	----	E1

## Condensing Unit R22 High/Medium Temperature Dimensions and Specifications

Model #	HP	PORTS			Width (in)	Depth (in)	Height (in)	Mounting holes		Weight (lbs)	Receiver lbs @ 90%	Figure	OIL		MCA values for electrical code				Outdoor enclosure
		Suction	Process	Liquid				A	B				Type	Charge (oz)	B	N	Q	R	
HCMC0025RWA****	1/4	3/8"F	1/4"F	1/4"S	12.3	14	10.2	8.6	9.4	40	---	1	ALKYLBENZENE	11.8	6.2	----	----	----	E1
HCMC0025RWB****	1/4	3/8"F	1/4"F	1/4"S	13.5	17	10.3	10.6	12.2	40	2.16	1	ALKYLBENZENE	11.8	6.2	----	----	----	E1
HCMC0033RWA****	1/3	3/8"F	1/4"F	1/4"S	12.3	14	10.2	8.6	9.4	41	---	1	ALKYLBENZENE	11.8	7.6	----	----	----	E1
HCMC0033RWB****	1/3	3/8"F	1/4"F	1/4"S	13.5	17	10.3	10.6	12.2	41	2.16	1	ALKYLBENZENE	11.8	7.6	----	----	----	E1
HCMC0033RWC****	1/3	3/8"F	1/4"F	1/4"S	13.5	17	10.3	10.6	12.2	41	2.16	1	ALKYLBENZENE	11.8	7.6	----	----	----	E1
HCMC0050RW*****	1/2	3/8"F	1/4"F	1/4"S	14.2	17	11.8	10.6	12.2	47	2.16	1	ALKYLBENZENE	11.8	10.8	5.3	----	----	E1
HCMC0060RW*****	5/8	1/2"F	1/4"F	1/4"S	13.5	18	11.9	10.4	11.8	57	4	1	ALKYLBENZENE	19.6	17.2	8.5	----	----	E1
HCMC0075RW*****	3/4	1/2"F	1/4"F	1/4"S	17	19	14	10.9	14.8	64	4	1	ALKYLBENZENE	19.6	16.4	8.1	----	----	E1
HCMC0100RW*****	1	1/2"F	1/4"F	1/4"S	16.9	19	14	10.9	14.8	67	4	1	ALKYLBENZENE	19.6	----	9.5	----	----	E1
HCMC0150UW****	1 1/2	1/2"S	1/4"F	3/8"S	19.8	24.8	16.1	16.0	16.0	130	10	1	MINERAL	28.7	----	14	9	6	E2
HCMC0200UW****	2	1/2"S	1/4"F	3/8"S	19.8	24.8	16.1	16.0	16.0	140	10	1	MINERAL	28.7	----	17	11	6	E2
HCMC0250UW****	2 1/2	5/8"S	1/4"F	3/8"S	27.6	19.7	17.4	11.8	26.0	140	10	2	MINERAL	28.7	----	24	16	8	E3
HCMC0275UW****	2 3/4	5/8"S	1/4"F	3/8"S	27.6	19.7	17.4	11.8	26.0	28	10	2	MINERAL	28.7	----	28	17	9	E3
HCMC0300UW****	3	5/8"S	1/4"F	3/8"S	31.5	23.6	21.4	15.8	29.9	28	17.5	2	MINERAL	28.7	----	40	23	12	E4
HGMC0400UW****	4	7/8"S	1/4"F	1/2"S	39.4	27.6	22	18.1	37.8	210	26	3	MINERAL	62.6	----	36	24	12	E4
HGMC0500UW****	5	7/8"S	1/4"F	1/2"S	47.2	31.5	26.5	19.7	45.7	300	26	3	MINERAL	62.6	----	52	32	16	E5
HGMC0700UW****	7	1 1/8"S	1/4"F	1/2"S	47.2	31.5	26.5	19.7	45.7	300	26	3	MINERAL	62.6	----	----	40	17	E5
HGMC0900UW****	9	1 1/8"S	1/4"F	5/8"S	59.1	34.3	34	22.4	57.5	500	36	3	MINERAL	131.9	----	----	50	26	E6
HGMC1000UW****	10	1 1/8"S	1/4"F	5/8"S	59.1	34.3	34	22.4	57.5	500	36	3	MINERAL	131.9	----	----	60	30	E6
HGMC1200UW****	12	1 1/8"S	1/4"F	5/8"S	59.1	34.3	34	22.4	57.5	510	43	3	MINERAL	131.9	----	----	69	33	E6
HGMC1350UW****	13 1/2	1 1/8"S	1/4"F	5/8"S	59.1	34.3	34	22.4	57.5	540	43	3	MINERAL	131.9	----	----	75	38	E6

## Condensing Unit R404A High/Medium Temperature Capacities

Model #		HP	Available versions	Capacity (BTU/hr) @ 90 °F ambient, at the rated ARI conditions										
				°F	0	5	10	15	20	25	30	35	40	45
				°C	-17.8	-15.0	-12.2	-9.4	-6.7	-3.9	-1.1	1.7	4.4	7.2
UCHC0020RW****	TF4CLX	1/5	A		961	1071	1181	1301	1422	1552	1682	1819	1956	2098
UCHC0025RW****	NF5.5CLX	1/4	A		1,625	1,808	1,992	2,198	2,405	2,634	2,864	3,115	3,367	3,635
UCHC0033RW****	NF7CLX	1/3	A,B,C		1,971	2,194	2,417	2,666	2,915	3,188	3,461	3,756	4,052	4,340
UCHC0050RW****	SC10CL	1/2	B,C		2,519	2,838	3,158	3,518	3,878	4,279	4,679	5,119	5,560	6,030
HCHC0060RW****	SC12MLX	5/8	B,C			3,648	4,035	4,480	4,925	5,427	5,928	6,484	7,039	7,634
HCHC0075RW****	SC18MLX	3/4	C			5,235	5,768	6,383	6,998	7,693	8,388	9,159	9,931	10,759
HCHC0100RW****	T6222GK	1	D			6,156	6,880	7,604	8,327	9,042	9,757	10,454	11,150	11,829
HCZC0150UW****	MTZ18	1 1/2	E, F		5,653	6,729	7,806	9,004	10,202	11,535	12,955	14,374	15,859	17,484
HCZC0200UW****	MTZ22	2	E, F		8,522	9,930	11,338	12,941	14,543	16,344	18,227	20,253	22,278	24,528
HCZC0250UW****	MTZ28	2 1/2	E, F		11,258	12,870	14,483	16,253	18,023	19,974	21,992	24,108	26,223	28,532
HCZC0275UW****	MTZ36	2 3/4	E, F		13,317	15,265	17,213	19,325	21,436	23,728	26,098	28,531	30,963	33,558
HCZC0300UW****	MTZ40	3	E, F		15,374	17,591	19,808	22,204	24,600	27,206	29,855	32,611	35,366	38,283
HGZC0400UW****	MTZ50	4	E, F		20,074	23,089	26,103	29,451	32,798	36,521	40,377	44,475	48,573	53,103
HGZC0500UW****	MTZ64	5	E, F		25,329	29,023	32,717	36,783	40,850	45,339	49,965	54,810	59,725	64,640
HGZC0700UW****	MTZ80	7	E, F		32,645	37,020	41,395	46,220	51,046	56,330	61,824	67,524	73,379	79,234
HGZC0900UW****	MTZ100	9	E, F		42,317	48,984	55,651	63,271	70,891	79,528	88,902	98,276	108,411	118,590
HGZC1000UW****	MTZ125	10	E, F		50,572	57,395	64,218	71,795	79,372	87,743	96,495	105,668	115,042	133,677
HGZC1200UW****	MTZ144	12	E, F		58,238	65,784	73,330	81,645	89,960	99,106	108,643	118,562	128,799	150,707
HGZC1350UW****	MTZ160	13 1/2	E, F		62,293	70,102	77,911	86,496	95,082	104,476	114,193	124,446	134,767	160,773

## Condensing Unit R404A Low Temperature Capacities

Model #	Compressor Model	HP	Available versions	R404A Capacity (BTU/hr) @ 90 °F ambient, rated at ARI conditions											
				°F	-40	-35	-30	-25	-20	-15	-10	-5	0	5	10
				°C	-40.0	-37.2	-34.4	-31.7	-28.9	-26.1	-23.3	-20.6	-17.8	-15.0	-12.2
UCHC0020RW****	TF4CLX	1/5	A		327	387	447	520	593	679	764	862	961	1071	1181
UCHC0025RW****	NF5.5CLX	1/4	A, B		595	693	791	909	1,026	1,165	1,303	1,464	1,625	1,808	1,992
UCHC0033RW****	NF7CLX	1/3	A,B,C		699	821	944	1,090	1,235	1,406	1,577	1,774	1,971	2,194	2,417
UCHC0050RW****	SC10CL	1/2	B,C		710	885	1,060	1,267	1,474	1,716	1,959	2,239	2,519	2,838	3,158
LCHC0060RW****	SC15CLX.2	5/8	B,C		1,274	1,511	1,748	2,025	2,303	2,622	2,941	3,299	3,658	4,054	4,450
LCHC0075RW****	T2178GK	3/4	C		1,380	1,688	1,996	2,341	2,686	3,073	3,460	3,891	4,322	4,797	5,272
LCHC0100RW****	J2192GK	1	D		1,779	2,347	2,915	3,504	4,093	4,711	5,329	5,980	6,630	7,314	7,998
LCZC0151UW****	NTZ048A	1 1/2	E, F		2,736	3,466	4,196	5,037	5,877	6,794	7,759	8,766	9,821	10,919	12,051
LCZC0201UW****	NTZ068A	2	E, F		4,669	5,630	6,591	7,656	8,720	9,855	11,021	12,219	13,452	14,688	15,934
LCZC0301UW****	NTZ108A	3	E, F		5,999	7,535	9,071	10,799	12,526	14,361	16,239	18,136	20,040	21,942	23,789
LGZC0401UW****	NTZ136A	4	E, F		8,238	10,133	12,028	14,136	16,243	18,485	20,792	23,138	25,507	27,924	30,286
LGZC0601UW****	NTZ215A	6	E, F		13,816	16,752	19,687	23,056	26,424	30,087	33,909	37,912	42,056	46,300	50,671
LGZC0751UW****	NTZ271A	7 1/2	E, F		18,724	22,318	25,911	29,916	33,920	38,183	42,547	47,031	51,552	56,145	60,650

\*Please see Condensing Unit Nomenclature for version definitions and rating conditions.

## Condensing Unit R404A High/Medium Temperature Dimensions and Specifications

Model #	HP	PORTS			Width (in)	Depth (in)	Height (in)	Mounting holes (in)		Weight (lbs)	Receiver lbs @ 90%	Figure	OIL		MCA values for electrical code				Outdoor Enclosure
		Suction	Process	Liquid				A	B				Type	Charge (oz)	B	N	Q	R	
UCHC0020RW*****	1/5	3/8" F	1/4" F	1/4" F	12.3	14.0	10.2	8.6	9.4	32	----	1	POE	9	5.1	----	----	----	E1
UCHC0025RW*****	1/4	3/8" F	1/4" F	1/4" F	13.5	17.0	10.3	10.6	12.2	41	2.2	1	POE	11	6.2	----	----	----	E1
UCHC0033RW*****	1/3	1/2" F	1/4" F	1/4" F	13.5	17.0	10.3	10.6	12.2	39	2.2	1	POE	11	7.6	----	----	----	E1
UCHC0050RW*****	1/2	1/2" F	1/4" F	1/4" F	13.5	17.0	11.8	10.6	12.2	49	2.2	1	POE	19	11.6	4.2	----	----	E1
HCHC0060RW*****	5/8	3/8" F	1/4" F	1/4" F	16.3	19.0	14.0	10.9	14.8	59	2.2	1	POE	20	14.2	7.1	----	----	E1
HCHC0075RW*****	3/4	1/2" F	1/4" F	1/4" F	16.9	19.0	13.3	10.9	14.8	76	4.0	1	POE	20	23.3	9.4	----	----	E1
HCHC0100RW*****	1	1/2" F	1/4" F	1/4" F	16.9	19.0	13.3	10.9	14.8	77	4.0	1	POE	20	----	10.9	----	----	E1
HCZC0150UW*****	1 1/2	1/2" S	1/4" F	3/8" S	19.8	24.8	16.1	16.0	16.0	130	10.0	1	POE	29	----	14.0	9.2	5.7	E2
HCZC0200UW*****	2	1/2" S	1/4" F	3/8" S	19.8	24.8	16.1	16.0	16.0	140	10.0	1	POE	29	----	16.6	11.4	6.1	E2
HCZC0250UW*****	2 1/2	5/8" S	1/4" F	3/8" S	27.6	19.7	17.4	11.8	26.0	140	10.0	2	POE	29	----	23.9	15.8	7.5	E3
HCZC0275UW*****	2 3/4	5/8" S	1/4" F	3/8" S	27.6	19.7	17.4	11.8	26.0	140	10.0	2	POE	29	----	28.3	16.6	8.8	E3
HCZC0300UW*****	3	5/8" S	1/4" F	3/8" S	31.5	23.6	21.4	15.8	29.9	140	17.5	2	POE	29	----	34.9	21.9	10.0	E3
HGZC0400UW*****	4	7/8" S	1/4" F	1/2" S	39.4	27.6	22.0	18.1	37.8	210	26.0	3	POE	63	----	36.0	23.5	12.3	E4
HGZC0500UW*****	5	7/8" S	1/4" F	1/2" S	47.2	31.5	26.4	19.7	45.7	300	26.0	3	POE	63	----	51.9	32.1	16.0	E5
HGZC0700UW*****	7	1 1/8" S	1/4" F	1/2" S	47.2	31.5	26.4	19.7	45.7	300	26.0	3	POE	63	----	----	39.8	17.3	E5
HGZC0900UW*****	9	1 1/8" S	1/4" F	5/8" S	59.1	34.3	34.0	22.4	57.5	500	36.0	3	POE	132	----	----	50.4	25.6	E6
HGZC1000UW*****	10	1 1/8" S	1/4" F	5/8" S	59.1	34.3	34.0	22.4	57.5	500	36.0	3	POE	132	----	----	60.3	30.1	E6
HGZC1200UW*****	12	1 1/8" S	1/4" F	5/8" S	59.1	34.3	34.0	22.4	57.5	510	43.0	3	POE	132	----	----	69.1	32.8	E6
HGZC1350UW*****	13 1/2	1 1/8" S	1/4" F	5/8" S	59.1	34.3	34.0	22.4	57.5	540	43.0	3	POE	132	----	----	74.5	38.1	E6

## Condensing Unit R404A Low Temperature Dimensions and Specifications

Model #	HP	PORTS			Width (in)	Depth (in)	Height (in)	Mounting holes (in.)		Weight (lbs)	Receiver lbs @ 90%	Figure	OIL		MCA values for electrical code				Outdoor enclosure
		Suction	Process	Liquid				A	B				Type	Charge (oz)	B	N	Q	R	
UCHC0020RW*****	1/5	3/8" F	1/4" F	1/4" F	12.3	14	10.2	8.6	9.4	32	----	1	POE	9.5	5.1	----	----	----	E1
UCHC0025RW*****	1/4	3/8" F	1/4" F	1/4" F	13.5	17	10.3	10.6	12.2	41	2.16	1	POE	10.8	6.2	----	----	----	E1
UCHC0033RW*****	1/3	1/2" F	1/4" F	1/4" F	13.5	17	10.3	10.6	12.2	39	2.16	1	POE	10.8	7.6	----	----	----	E1
UCHC0050RW*****	1/2	1/2" F	1/4" F	1/4" F	13.5	17	11.8	10.6	12.2	49	2.16	1	POE	18.6	11.6	4.2	----	----	E1
LCHC0060RW*****	5/8	1/2" F	1/4" F	1/4" F	13.5	17	11.8	10.6	12.2	48	2.2	1	POE	18.6	13.9	6.3	----	----	E1
LCHC0075RW*****	3/4	1/2" F	1/4" F	1/4" F	13.3	18	11.9	10.4	11.8	63	4	1	POE	19.6	11.9	5.5	----	----	E1
LCHC0100RW*****	1	3/8" F	1/4" F	1/4" F	16.9	19	13.4	10.9	14.8	90	4	1	POE	30.1	----	8.0	----	----	E1
LCZC0151UW****	1 1/2	1/2" S	1/4" F	3/8" S	19.8	24.8	16.1	16.0	16.0	130	10	1	POE	28.7	----	13.0	10.2	4.9	E2
LCZC0201UW****	2	5/8" S	1/4" F	3/8" S	19.8	24.8	16.1	16.0	16.0	130	10	1	POE	28.7	----	20.0	14.4	8.1	E2
LCZC0301UW****	3	7/8" S	1/4" F	1/2" S	31.5	23.6	21.4	15.8	29.9	150	10	2	POE	62.6	----	30.7	20.3	11.4	E3
LGZC0401UW****	4	7/8" S	1/4" F	1/2" S	39.4	27.6	22.0	18.1	37.8	210	17.5	3	POE	62.6	----	39.0	28.3	14.0	E4
LGZC0601UW****	6	1 1/8" S	1/4" F	1/2" S	47.2	31.5	26.4	19.7	45.7	300	26	3	POE	131.9	----	----	41.4	21.0	E5
LGZC0751UW****	7 1/2	1 1/8" S	1/4" F	1/2" S	47.2	31.5	26.4	19.7	45.7	300	26	3	POE	131.9	----	----	54.0	25.2	E5

## Outdoor enclosures

- Innovative design for quick and easy assembly
- Durable, sturdy 16 gauge galvanized steel
- 6 models available to protect units up to 13½ hp



Model Number	Code Number	H	L	W	Range
E1	119-6040	15	18	22	1 HP & below
E2	119-6041	19	26	22	1.5 - 2 HP
E3	119-6042	19	29	29.5	2.5 -3* HP

Model Number	Code Number	H	L	W	Range
E4	119-6043	23	30	42	3* - 4 HP
E5	119-6044	27	33	48	5 -7.5 HP
E6	119-6045	33	36	62	9 - 13.5 HP

\* See detailed selection in the tables

## Model Number / Code Number Cross Reference

### Fractional Units Cross Reference

High/Medium Temperature Units									
R-134a Model Number	Code Number Version: WA	Code Number Version: WB	Code Number Version: WC	Code Number Version: WD	R-22 Model Number	Code Number Version: WA	Code Number Version: WB	Code Number Version: WC	Code Number Version: WD
UCGC0017RWA000B	114N2016				HCMC0025RW*000B	114N2340	114N2341		
UCGC0020RWA000B	114N2017				HCMC0033RW*000B	114N2342	114N2343	114N2344	
UCGC0025RW*000B	114N2018	114N2019			HCMC0050RW*000B		114N2345	114N2347	
HCGC0033RW*000B	114N2020	114N2021	114N2022		HCMC0050RW*000N		114N2346	114N2348	
UCGC0050RW*000B		114N2023	114N2024		HCMC0060RW*000B		114N2349	114N2351	
HCGC0055RW*000B		114N2025	114N2026		HCMC0060RW*000N		114N2350	114N2352	
HCGC0075RWC000B			114N2027		HCMC0075UWC000B			114N2353	
HCGC0075RWC000N			114N2028		HCMC0075UWC000N			114N2354	
HCGC0100UWD000N				114N2029	HCMC0100UWD000N				114N2355
R-409A Model Number	Code Number Version: WA	Code Number Version: WB	Code Number Version: WC	Code Number Version: WD	R-404A Model Number	Code Number Version: WA	Code Number Version: WB	Code Number Version: WC	Code Number Version: WD
UCBC0017RWA000B	114N2030				UCHC0020RWA000B	114N2316			
UCBC0020RWA000B	114N2031				UCHC0025RW*000B	114N2317	114N2318		
UCBC0025RW*000B	114N2032	114N2033			UCHC0033RW*000B	114N2319	114N2320	114N2321	
UCBC0033RW*000B	114N2034	114N2035	114N2036		UCHC0050RW*000B		114N2322	114N2324	
UCBC0045RW*000B		114N2037	114N2038		UCHC0050RW*000N		114N2323	114N2325	
HCBC0050RW*000B		114N2039	114N2040		HCHC0060RW*000B		114N2326	114N2328	
HCBC0055UW*000B		114N2041	114N2042		HCHC0060RW*000N		114N2327	114N2329	
HCBC0075UWC000B			114N2043		HCHC0075UWC000B			114N2330	
HCBC0075UWC000N			114N2044		HCHC0075UWC000N			114N2331	
HCBC0100UWD000N				114N2045	HCHC0100UWD000N				114N2332
Low Temperature Units									
R-404A Model Number	Code Number Version: WA	Code Number Version: WB	Code Number Version: WC	Code Number Version: WD	R-404A Model Number	Code Number Version: WA	Code Number Version: WB	Code Number Version: WC	Code Number Version: WD
LCHC0060RW*000B		114N2333	114N2335		LCHC0075UWC000N			114N2338	
LCHC0060RW*000N		114N2334	114N2336		LCHC0100UWD000N				114N2339
LCHC0075UWC000B			114N2337						

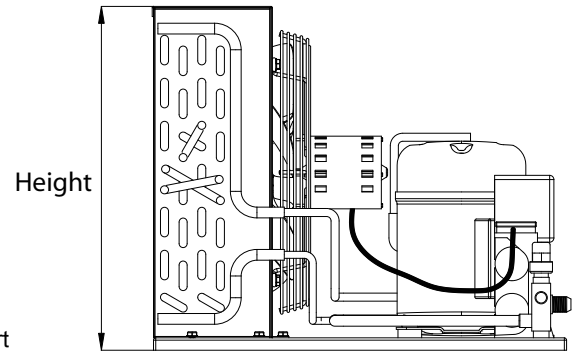
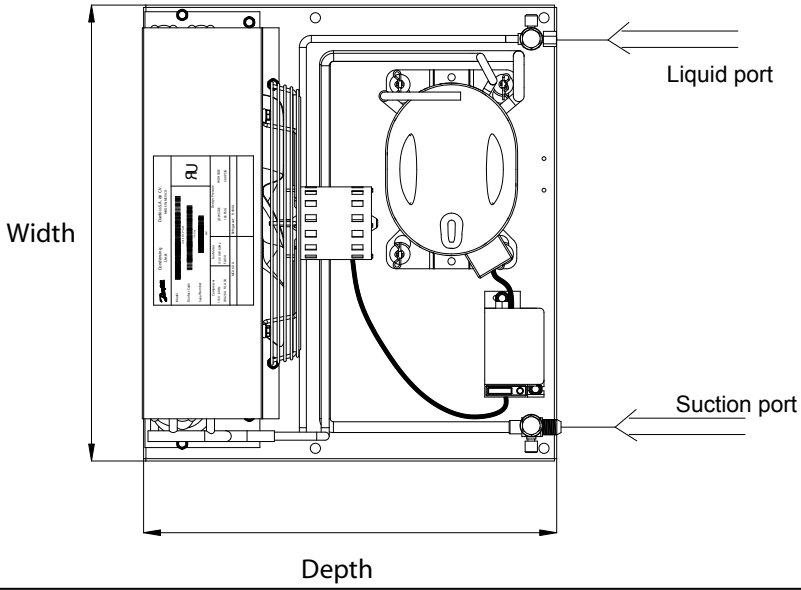
# Integral Units Cross Reference

High/Medium Temperature Units					
R-22 Model Number	Code Number Version: WE	Code Number Version: WF	R404A Model Number	Code Number Version: WE	Code Number Version: WF
HCMC0150UW*300N	114N6501	114N6601	HCZC0150UW*300N	114N6301	114N6401
HCMC0150UW*300Q	114N6502	114N6602	HCZC0150UW*300Q	114N6302	114N6402
HCMC0150UW*300R	114N6503	114N6603	HCZC0150UW*300R	114N6303	114N6403
HCMC0200UW*300N	114N6504	114N6604	HCZC0200UW*300N	114N6304	114N6404
HCMC0200UW*300Q	114N6505	114N6605	HCZC0200UW*300Q	114N6305	114N6405
HCMC0200UW*300R	114N6506	114N6606	HCZC0200UW*300R	114N6306	114N6406
HCMC0250UW*300N	114N6508	114N6608	HCZC0250UW*300N	114N6308	114N6408
HCMC0250UW*300Q	114N6509	114N6609	HCZC0250UW*300Q	114N6309	114N6409
HCMC0250UW*300R	114N6510	114N6610	HCZC0250UW*300R	114N6310	114N6410
HCMC0275UW*300N	114N6516	114N6616	HCZC0275UW*300N	114N6316	114N6416
HCMC0275UW*300Q	114N6517	114N6617	HCZC0275UW*300Q	114N6317	114N6417
HCMC0275UW*300R	114N6518	114N6618	HCZC0275UW*300R	114N6318	114N6418
HCMC0300UW*300N	114N6520	114N6620	HCZC0300UW*300N	114N6320	114N6420
HCMC0300UW*300Q	114N6521	114N6621	HCZC0300UW*300Q	114N6321	114N6421
HCMC0300UW*300R	114N6522	114N6622	HCZC0300UW*300R	114N6322	114N6422
HGMC0400UW*300N	114N6527	114N6627	HGZC0400UW*300N	114N6327	114N6427
HGMC0400UW*300Q	114N6528	114N6628	HGZC0400UW*300Q	114N6328	114N6428
HGMC0400UW*300R	114N6529	114N6629	HGZC0400UW*300R	114N6329	114N6429
HGMC0500UW*300N	114N6535	114N6635	HGZC0500UW*300N	114N6335	114N6435
HGMC0500UW*300Q	114N6536	114N6636	HGZC0500UW*300Q	114N6336	114N6436
HGMC0500UW*300R	114N6537	114N6637	HGZC0500UW*300R	114N6337	114N6437
HGMC0700UW*300Q	114N6540	114N6640	HGZC0700UW*300Q	114N6340	114N6440
HGMC0700UW*300R	114N6541	114N6641	HGZC0700UW*300R	114N6341	114N6441
HGMC0900UW*300Q	114N6542	114N6642	HGZC0900UW*300Q	114N6342	114N6442
HGMC0900UW*300R	114N6543	114N6643	HGZC0900UW*300R	114N6343	114N6443
HGMC1300UW*300Q	114N6545	114N6645	HGZC1300UW*300Q	114N6345	114N6445
HGMC1300UW*300R	114N6546	114N6646	HGZC1300UW*300R	114N6346	114N6446
HGMC1200UW*300Q	114N6548	114N6648	HGZC1200UW*300Q	114N6348	114N6448
HGMC1200UW*300R	114N6549	114N6649	HGZC1200UW*300R	114N6349	114N6449
HGMC1350UW*300Q	114N6551	114N6651	HGZC1350UW*300Q	114N6351	114N6451
HGMC1350UW*300R	114N6552	114N6652	HGZC1350UW*300R	114N6352	114N6452
Low Temperature Units					
R404A Model Number	Code Number Version: WE	Code Number Version: WF	R404A Model Number	Code Number Version: WE	Code Number Version: WF
LCZC0151UW*300N	114N6701	114N6725	LCZC0301UW*300R	114N6711	114N6735
LCZC0151UW*300Q	114N6702	114N6726	LGZC0401UW*300N	114N6713	114N6737
LCZC0151UW*300R	114N6703	114N6727	LGZC0401UW*300Q	114N6714	114N6738
LCZC0201UW*300N	114N6705	114N6729	LGZC0401UW*300R	114N6715	114N6739
LCZC0201UW*300Q	114N6706	114N6730	LGZC0601UW*300Q	114N6717	114N6741
LCZC0201UW*300R	114N6707	114N6731	LGZC0601UW*300R	114N6718	114N6742
LCZC0301UW*300N	114N6709	114N6733	LGZC0751UW*300Q	114N6720	114N6744
LCZC0301UW*300Q	114N6710	114N6734	LGZC0751UW*300R	114N6721	114N6745

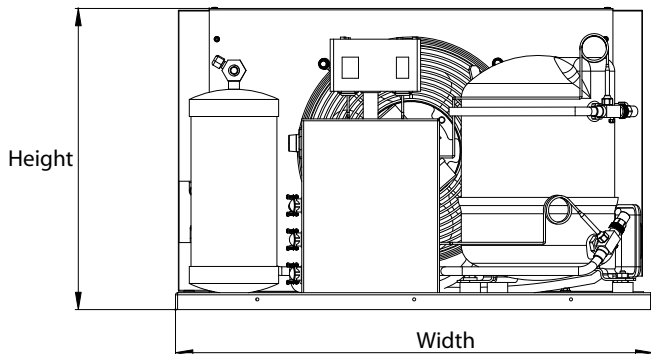
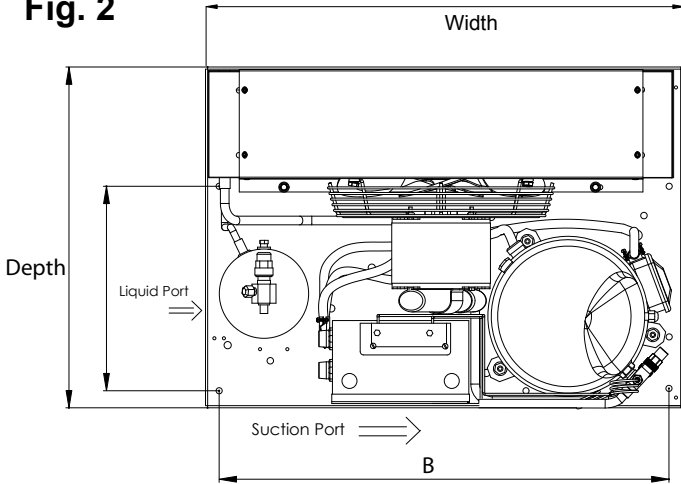


# Dimensions

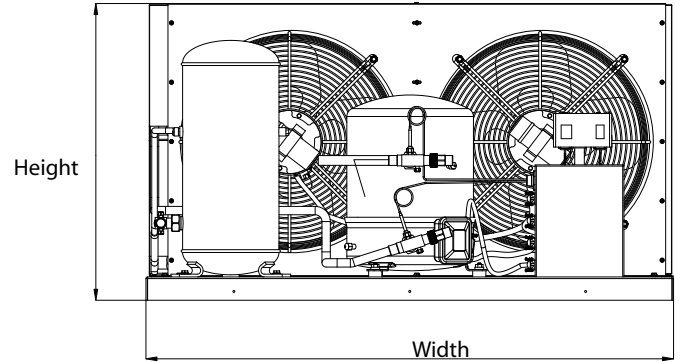
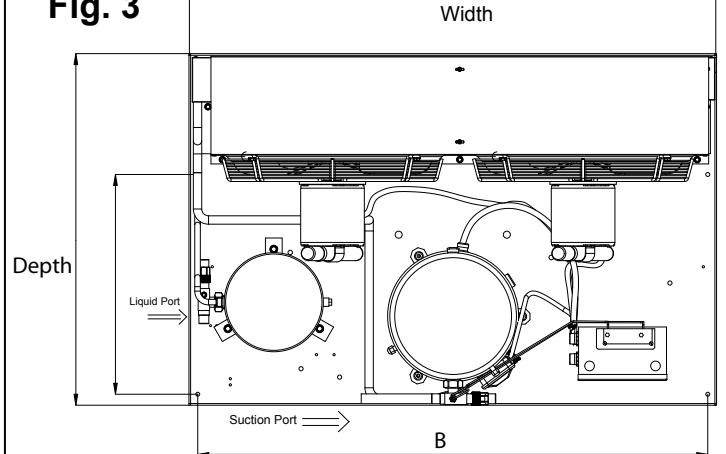
**Fig. 1**



**Fig. 2**



**Fig. 3**



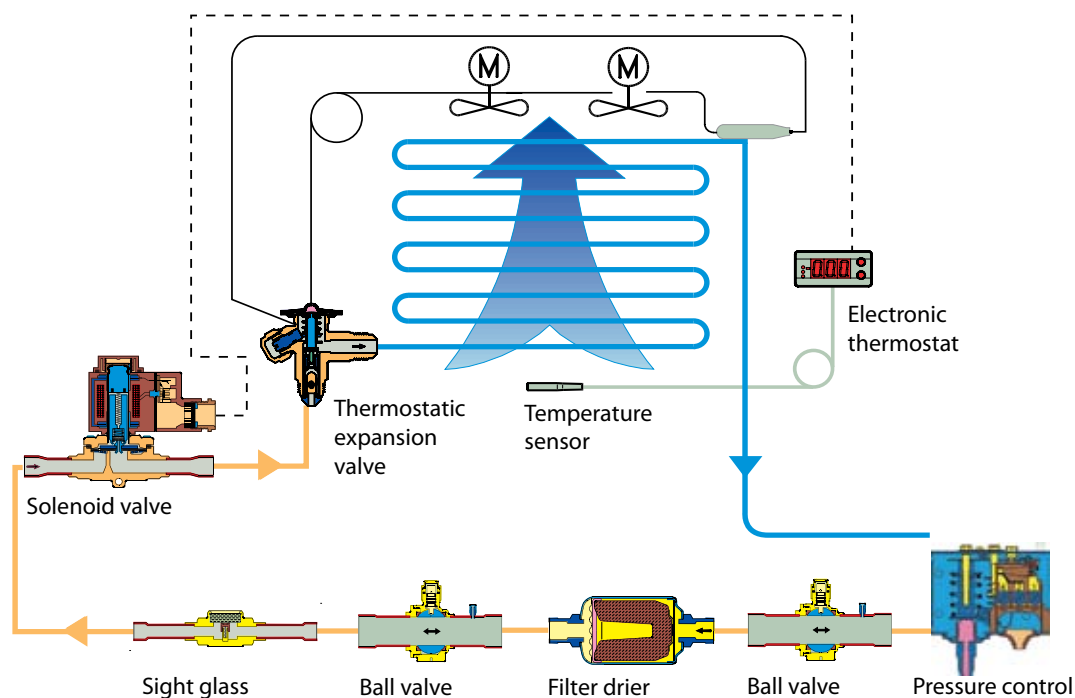


## Quality in everything we do – Danfoss Dependable

At Danfoss, evidence of our commitment to North American refrigeration customers is constantly growing. Our factories offer expanded production and a wide array of products designed specifically with your applications in mind. Our new,

comprehensive range of condensing units is based on the high quality and reliability that has earned respect for Danfoss for more than seventy years. If it has the Danfoss name on it, it must be Danfoss Dependable.

## Related products



## The Danfoss program



Pressure and Temperature Controls



Thermostatic Expansion Valves



Filter Driers

[www.danfoss.us](http://www.danfoss.us)

Danfoss can accept no responsibility for possible errors in catalogues, brochures and other printed material. Danfoss reserves the right to alter its products without notice. This also applies to products already on order provided that such alterations can be made without consequential changes being necessary in specifications already agreed. All trademarks in this material are property of the respective companies. Danfoss and the Danfoss logotype are trademarks of Danfoss A/S. All rights reserved.