

# M-Series Strip Door



TMI's M-Series strip door is an economical solution for separating environments, reducing heating & cooling costs, and creating a more comfortable work environment. The M-Series' unique loop-style strips move more smoothly than on other styles of strip doors, making the M-Series ideal for personnel traffic. The loop-style also alleviates folding stress on the strips where they meet the hardware.

## BENEFITS

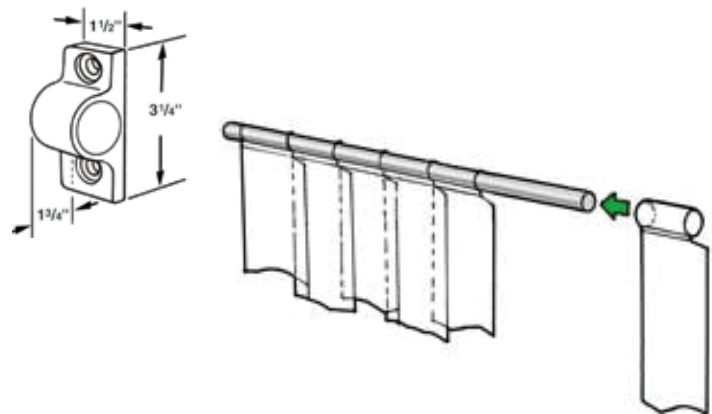
- Reduces moisture and frost build-up in coolers and freezers
- Energy Independence and Security Act of 2007 compliant
- Pays for itself in energy savings
- Increases customer and employee comfort



## FEATURES

- Lightweight aluminum mounting bar with universal mounting brackets for fast and simple installation
- Brackets mount either in-jamb or on wall for total installation flexibility
- Polar reinforced strips remain flexible to -20° F, standard strips stay flexible to 0° F

M-Series strip door hardware is easy to install. Each bracket only requires two screws—and they're included. Installing or replacing strips is as simple as sliding them on to the aluminum mounting bar.



Model	Door Size	Strip Size	PVC Type	Shipping Wt.
M108-PR-3480	34"W x 80" H	8"W x .080" Thick	Polar Reinforced	14 lbs
M108-PR-4080*	40"W x 80" H	8"W x .080" Thick	Polar Reinforced	16 lbs
M108-PR-4780	47"W x 80" H	8"W x .080" Thick	Polar Reinforced	19 lbs
M108-PR-5380	53"W x 80" H	8"W x .080" Thick	Polar Reinforced	21 lbs
M108-PR-6080	60"W x 80" H	8"W x .080" Thick	Polar Reinforced	24 lbs
M108-PR-6680	66"W x 80" H	8"W x .080" Thick	Polar Reinforced	27 lbs
M108-PR-7380	73"W x 80" H	8"W x .080" Thick	Polar Reinforced	29 lbs
M108-PR-7980	79"W x 80" H	8"W x .080" Thick	Polar Reinforced	32 lbs
M108-PR-3486	34"W x 86" H	8"W x .080" Thick	Polar Reinforced	15 lbs
M108-PR-4086*	40"W x 86" H	8"W x .080" Thick	Polar Reinforced	17 lbs
M108-PR-4786	47"W x 86" H	8"W x .080" Thick	Polar Reinforced	20 lbs
M108-PR-5386	53"W x 86" H	8"W x .080" Thick	Polar Reinforced	23 lbs
M108-PR-6086	60"W x 86" H	8"W x .080" Thick	Polar Reinforced	26 lbs
M108-PR-6686	66"W x 86" H	8"W x .080" Thick	Polar Reinforced	28 lbs
M108-PR-7386	73"W x 86" H	8"W x .080" Thick	Polar Reinforced	31 lbs
M108-PR-7986	79"W x 86" H	8"W x .080" Thick	Polar Reinforced	34 lbs
M108-PR-3496	34"W x 96" H	8"W x .080" Thick	Polar Reinforced	17 lbs
M108-PR-4096	40"W x 96" H	8"W x .080" Thick	Polar Reinforced	19 lbs
M108-PR-4796	47"W x 96" H	8"W x .080" Thick	Polar Reinforced	23 lbs
M108-PR-5396	53"W x 96" H	8"W x .080" Thick	Polar Reinforced	26 lbs
M108-PR-6096	60"W x 96" H	8"W x .080" Thick	Polar Reinforced	29 lbs
M108-PR-6696	66"W x 96" H	8"W x .080" Thick	Polar Reinforced	32 lbs
M108-PR-7396	73"W x 96" H	8"W x .080" Thick	Polar Reinforced	35 lbs
M108-PR-7996	79"W x 96" H	8"W x .080" Thick	Polar Reinforced	38 lbs
M106-PR-3480	34"W x 80" H	6"W x .060" Thick	Polar Reinforced	15 lbs
M106-PR-4080*	40"W x 80" H	6"W x .060" Thick	Polar Reinforced	17 lbs
M106-PR-4780	47"W x 80" H	6"W x .060" Thick	Polar Reinforced	21 lbs
M106-PR-5380	53"W x 80" H	6"W x .060" Thick	Polar Reinforced	23 lbs
M106-PR-6080	60"W x 80" H	6"W x .060" Thick	Polar Reinforced	26 lbs
M106-PR-6680	66"W x 80" H	6"W x .060" Thick	Polar Reinforced	29 lbs
M106-PR-7380	73"W x 80" H	6"W x .060" Thick	Polar Reinforced	32 lbs
M106-PR-7980	79"W x 80" H	6"W x .060" Thick	Polar Reinforced	35 lbs
M106-PR-3486	34"W x 86" H	6"W x .060 Thick	Polar Reinforced	16 lbs
M106-PR-4086*	40"W x 86" H	6"W x .060 Thick	Polar Reinforced	19 lbs
M106-PR-4786	47"W x 86" H	6"W x .060 Thick	Polar Reinforced	22 lbs
M106-PR-5386	53"W x 86" H	6"W x .060 Thick	Polar Reinforced	25 lbs
M106-PR-6086	60"W x 86" H	6"W x .060 Thick	Polar Reinforced	28 lbs
M106-PR-6686	66"W x 86" H	6"W x .060 Thick	Polar Reinforced	31 lbs
M106-PR-7386	73"W x 86" H	6"W x .060 Thick	Polar Reinforced	35 lbs
M106-PR-7986	79"W x 86" H	6"W x .060 Thick	Polar Reinforced	37 lbs
M106-PR-3496	34"W x 96" H	6"W x .060 Thick	Polar Reinforced	18 lbs
M106-PR-4096	40"W x 96" H	6"W x .060 Thick	Polar Reinforced	21 lbs
M106-PR-4796	47"W x 96" H	6"W x .060 Thick	Polar Reinforced	25 lbs
M106-PR-5396	53"W x 96" H	6"W x .060 Thick	Polar Reinforced	28 lbs
M106-PR-6096	60"W x 96" H	6"W x .060 Thick	Polar Reinforced	32 lbs
M106-PR-6696	66"W x 96" H	6"W x .060 Thick	Polar Reinforced	35 lbs
M106-PR-7396	73"W x 96" H	6"W x .060 Thick	Polar Reinforced	38 lbs
M106-PR-7996	79"W x 96" H	6"W x .060 Thick	Polar Reinforced	42 lbs

\*Stock units ship in 1-2 days