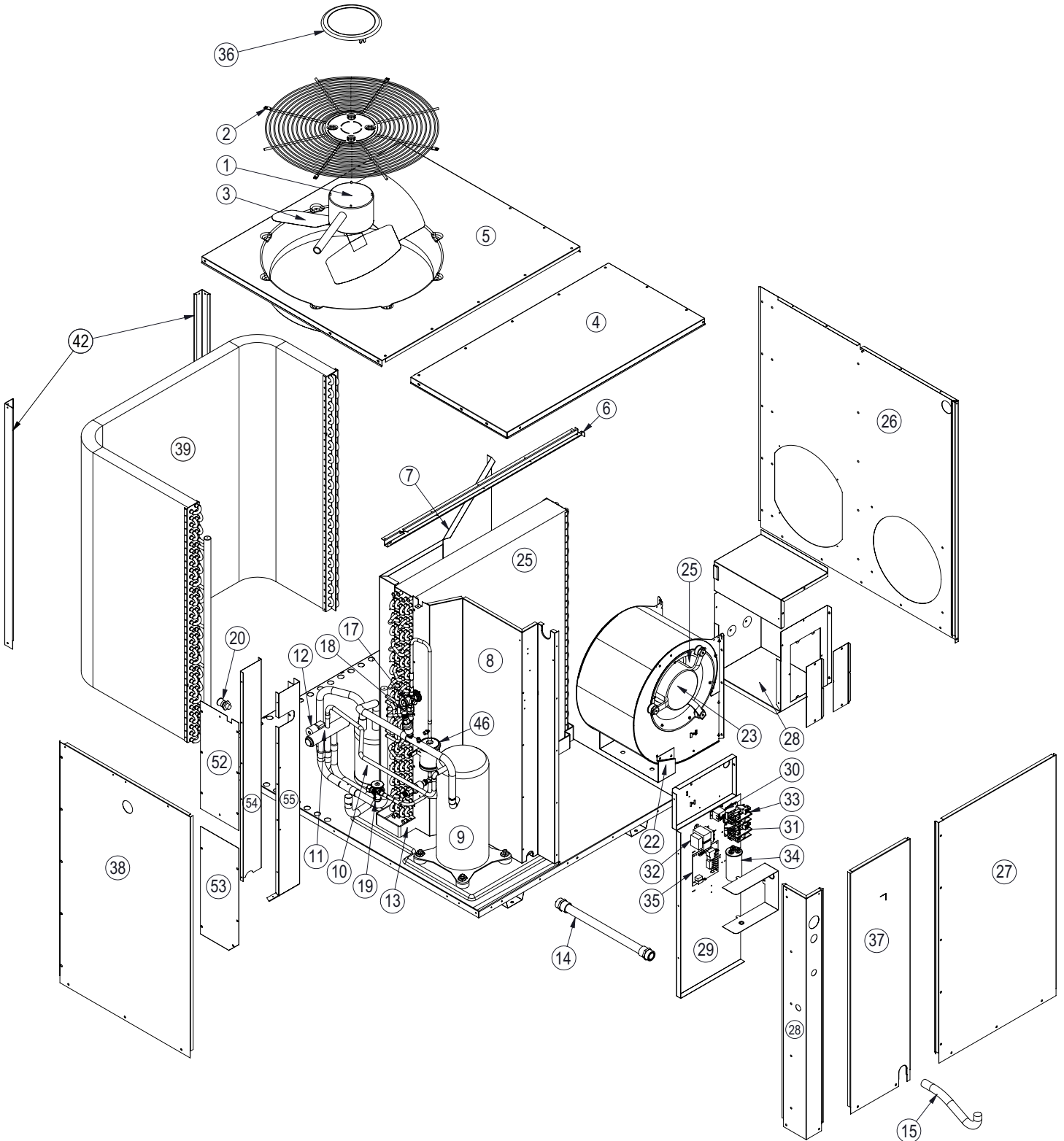


REPLACEMENT PARTS LIST

SINGLE PACKAGE HEAT PUMP

PPH2RF-KA SERIES

15 SEER MODELS



PPH2RF-KA SERIES SINGLE PACKAGE HEAT PUMP 15 SEER, R-410A, 2-STAGE MODELS

ITEM NO.	DESCRIPTION	PPH2RFX24KA	PPH2RFX36KA	PPH2RFX48KA	PPH2RFX60KA
		920588PA	920589PA	920590PA	920591PA
1	OUTDOOR MOTOR	622080R	621721R	622655R	622655R
2	FAN GRILL, BLACK	669404R	669404R	669404R	669335R
3	FAN BLADE	667406R	667406R	667369R	667319R
4	TOP PAN,LEFT	D03570BR	D03570BR	D03570BR	D03570BR
5	TOP PAN, RIGHT	D07090BR	D07090BR	D07090BR	D07091BR
6	DRAIN CHANNEL	D03290R	D03290R	D03290R	D03290R
7	DIVIDER PANEL ASSY.	D03443R	D03443R	—	—
	DIVIDER PANEL ASSY,36"	—	—	D03445R	D03445R
8	BLOWER DIVIDER ASSY.	D03483R	D03483R	D03485R	D03485R
9	COMPRESSOR	921844	921769	922020	921793
10	ACCUMULATOR	668793R	668794R	668794R	668794R
11	REVERSING VALVE	669465R	669936R	669936R	669936R
12	REVERSING VALVE COIL	669471R	669935R	669935R	669935R
13	DRAIN PAN	669187R	669187R	669187R	669187R
14	DRAIN TUBE ASSY	663713R	663713R	663713R	663713R
15	"P" TRAP	669211R	669211R	669211R	669211R
16	ELBOW,3/4 MPT (NOT SHOWN)	669184R	669184R	669184R	669184R
17	TXV, INDOOR	669845R	669845R	669821R	669881R
18	DISTRIBUTOR, INDOOR	663581R	663584R	663586R	663586R
19	TXV, OUTDOOR	669982R	669820R	669822R	669822R
20	DISTRIBUTOR, OUTDOOR	663581R	663582R	664546R	664546R
21	SOUND BLANKET (NOT SHOWN)	689792R	689792R	689793R	689793R
22	FOOT, BLOWER	262970R	262970R	262970R	262970R
23	BLOWER MOTOR, 2T, PROGRAMMED	M0056122R	—	—	—
	BLOWER MOTOR, 3T, PROGRAMMED	—	M0056118R	—	—
	BLOWER MOTOR, 4T, PROGRAMMED	—	—	M0056125R	—
	BLOWER MOTOR, 5T, PROGRAMMED	—	—	—	M0056127R
24	BLOWER WHEEL	667294	667037	667037	667037
25	INDOOR EVAP COIL	2B1511R	2B1531R	2A9661R	2A9661R
26	REAR PANEL ASSY.	D03466BR	D03465BR	D03469BR	D03469BR
27	BLOWER PANEL ASSY.	D03523BR	D03523BR	D03525BR	D03525BR
28	CORNER PANEL	D04363BR	D04363BR	D04365BR	D04365BR
29	CONTROL PANEL	271793R	271793R	271795R	271795R
30	RELAY,SPDT,24V COIL	621931R	621931R	621931R	621931R
31	RELAY,BLOWER,240V COIL	622180R	622180R	622180R	622180R

Please specify the correct Model No., Serial No., and part no(s) when ordering parts from the nearest authorized dealer or service center.

PPH2RF-KA SERIES SINGLE PACKAGE HEAT PUMP 15 SEER, R-410A, 2-STAGE MODELS

ITEM NO.	DESCRIPTION	PPH2RFX24KA	PPH2RFX36KA	PPH2RFX48KA	PPH2RFX60KA
		920588PA	920589PA	920590PA	920591PA
32	TRANSFORMER	621709R	621709R	621709R	621709R
33	CONTACTOR	624712R	624712R	624714R	624714R
34	CAPACITOR, DUAL	620762R	620888R	620777R	620968R
35	DEMAND DEFROST BOARD	920268	920268	920268	920268
36	TOP PAN GRILL CAP	289551R	289551R	289551R	289551R
37	CONTROL BOX COVER	D02873BR	D02873BR	D02875BR	D02875BR
38	COVER,COMPRESSOR	D02893BR	D02893BR	D02895BR	D02895BR
39	OUTDOOR COIL, FORMED	2B1521R	2B1541R	2A9681R	2B1981R
40	REPL. HAIL GUARD KIT (NOT SHOWN)	917206	917206	917206	917206
41	OUTDOOR COIL GUARD, FORMED (NOT SHOWN)	2A8152R	2A8154R	2A8156R	2B4831R
42	CORNER POST	D09993BR	D09993BR	D09999BR	D09999BR
43	COIL TEMERATURE SENSOR (NOT SHOWN)	624740R	624740R	624740R	624740R
	LOW PRESSURE SWITCH (NOT SHOWN)	632393R	632393R	632604R	632604R
44	CORE,CHARGING PORT (NOT SHOWN)	662103R	662103R	662103R	662103R
45	ACCESS FITTING (NOT SHOWN)	663812R	663812R	663812R	663812R
46	FILTER DRIER, BIFLOW	669762R	669762R	669762R	669762R
47	COMPRESSOR MOLDED PLUG HV (NOT SHOWN)	634660R	634660R	634660R	634660R
48	COMPRESSOR MOLDED PLUG LV (NOT SHOWN)	634682R	634682R	634682R	634682R
49	AMBIENT SENSOR (NOT SHOWN)	624701R	624701R	624701R	624701R
50	HI PRESSURE SWITCH (NOT SHOWN)	632473R	632473R	632473R	632473R
51	PAINT, TOUCH-UP BRONZE TEXTURE (NOT SHOWN)	904038	904038	904038	904038
52	TOP COIL HEADER COVER	2B1001R	2B1001R	2B1001R	2B1001R
53	BOTTOM COIL HEADER COVER	2B3191R	2B3191R	2B3193R	2B3193R
54	SIDE COIL HEADER COVER	2B3171R	2B3171R	2B3173R	2B3173R
55	SIDE COIL HEADER COVER	2B0301R	2B0301R	2B0303R	2B0303R
56	SET OF WIRES (NOT SHOWN)	920902	920902	920903	920903

Please specify the correct Model No., Serial No., and part no(s) when ordering parts from the nearest authorized dealer or service center.

