



*Tecumseh*

# Compressor Parts Fast Reference

Wholesale Distribution  
North America



## **Compressor Replacement Guides and Fast References**

This document is not to be used as a drop-in replacement guide. The cross-reference is offered to use as a tool to help identify potential replacement options based on performance fit. Mounting and tubing connections are likely to differ from original installation. With use, system performance parameters will most likely have changed from initial specifications. Careful review of current application requirements is essential. **IT IS THE RESPONSIBILITY OF THE SERVICE PERSON TO ASSURE THEY HAVE PURCHASED A REPLACEMENT PRODUCT WHICH MEETS THE NEED OF THE APPLICATION.** Failure to do so may result in misapplication requiring immediate or subsequent additional compressor replacement.

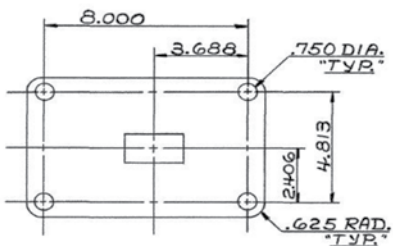


### Baseplates

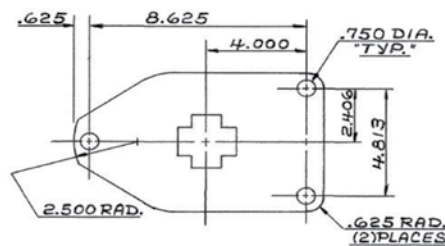
Tecumseh Number	Used On Standard Air Cooled Units	Size (in)	Material	Notes
50113-43	AE	11-5/8 x 9-3/8	Steel	No Receiver
50010-43	AE	18-3/8 x 12-1/8	Steel	Receiver
50010-44	AE	18-3/8 x 12-1/8	Steel	Receiver
50044-32	AH	24x 17	Steel	Receiver
50044-33	AH, AJ, AK, AV, AW	24x 17	Steel	Receiver
50064-13	AE	15x 13	Steel	No Receiver
50064-14	AE	15 x 13	Steel	Receiver
50064-18	AE	15 x 13	Steel	W/Wo Receiver
50064-19	AJ	15 x 13	Steel	No Receiver
50064-21	AJ, AK	15 x 13	Steel	No Receiver
50079-7	AH, AG, SF	41 x 28-1/2	Steel	Receiver
50092-10	AJ	20 x 13	Steel	Receiver
50107-1	AW, AH, AV	26 x 21	Steel	Water unit w/Receiver
50110-2	AK	15 x 13	Steel	W/Wo Receiver
50111-2	AK	24 x 17	Steel	W/Wo Receiver
50113-2	AE, AZ	11-5/8 x 10	Steel	No Receiver
50118-2	AK, AJ	20 x 13	Steel	W/Wo Receiver
50126-3	AW, AH, AV, PRS	24 x 17	Steel	Receiver
14951379	VSA, AW, AV	33-1/2 x 25	Steel	Receiver

Black/Grey Condensate Evap and Special Units				
50122	AE, AK	20 x 10	Plastic	Black Base Condensate
50123	AJ	18 x 13	Plastic	AJ special
50127	AE	12 x 10	Steel	Compact Coil Units
50131	AE	19 x 8-1/4	Plastic	Gray Base Condensate
500-G101	AE		Galvanized	Celseon

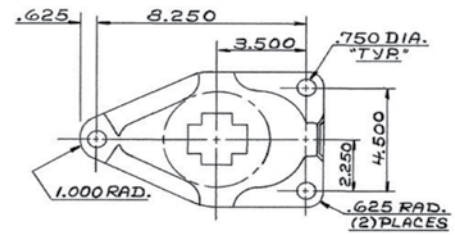
### Compressor Mounting Plates



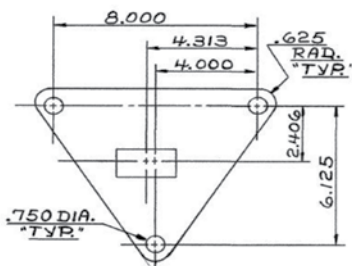
28677-1



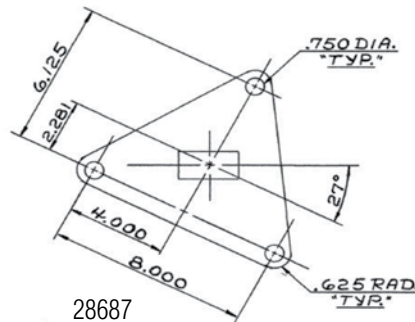
28690



28680-1



28681



28687

## Crankcase Heaters

Tecumseh Part No.	Tecumseh Kit No.	Voltage/Watts	Type	Basic Use	Lead Length (in)
90633-1	N/A	240/50	Wrap around	AH	29.6
90633-1	K31-12	240/50	Wrap around	AH	29.6
90633-2	N/A	480/50	Wrap around	AH	29.6
91003	N/A	230/50	Wrap around	SF	29.6
91003-1	N/A	460/50	Wrap around	SF	29.6
91022-1	N/A	240/50	Wrap around	AW	29.6
91022-2	N/A	460/50	Wrap around	AW	29.6
92123-1	N/A	240/40	Wrap around	AJ	46.0
92123-2	N/A	240/40	Wrap around	AK	46.0
90706	K31-5	600 m /25-35	Insertion	AB, AW, O type	23.0
90764	N/A	600M /40-55	Insertion	AW	51.0
90699	K31-9	600 m /40-55	Insertion	AG, AV, O type	7.5
90709	K31-11	600 m /25-35	Insertion	AN, TV, O type	13.3

## Receiver Tanks

Current Tecumseh Number	Old Tecumseh Number	Rotolock Valve (Order Separate)	Rotolock Thread Size (in)	Tank OD (in)	Height: Base to Valve Ctr. (in)	Volume (cubic in)	Inlet Tube ID (in)	Approx. Shipping Weight (lbs)	Liquid Pumpdown Capacity (oz/lbs) @ 80% of Receiver Volume @ 90°F				
									R-12	R-22	R-502	R-134a	R-404A
51080	51067	31584-1	3/4-16	3	7.5	33	1/4 ODF	2.5	25.6/1.6	24.0/1.5	24.0/1.5	24.0/1.5	20.8/1.3
51080	51067-2	31584-1	3/4-16	3	7.5	33	1/4 ODF	2.5	25.6/1.6	24.0/1.5	24.0/1.5	24.0/1.5	20.8/1.3
51080	51067-3	31584-1	3/4-16	3	7.5	33	1/4 ODF	2.5	25.6/1.6	24.0/1.5	24.0/1.5	24.0/1.5	20.8/1.3
51080	51067-5	31584-1	3/4-16	3	7.5	33	1/4 ODF	2.5	25.6/1.6	24.0/1.5	24.0/1.5	24.0/1.5	20.8/1.3
51080	51067-7	31584-1	3/4-16	3	7.5	33	1/4 ODF	2.5	25.6/1.6	24.0/1.5	24.0/1.5	24.0/1.5	20.8/1.3
51080-1	51067-4	31584-1	3/4-16	3	9.1	43	1/4 ODF	6.5	30.4/1.9	27.2/1.7	28.8/1.8	28.8/1.8	24.0/1.5
51080-1	51067-8	31584-1	3/4-16	3	9.1	43	1/4 ODF	6.5	30.4/1.9	27.2/1.7	28.8/1.8	28.8/1.8	24.0/1.5
51081	51069-1	31547-8	3/4-16	5	9.4	136	1/4 ODF	7	89.6/5.6	81.9/5.1	83.2/5.2	83.2/5.2	70.4/4.4
51081-1	51046-2	31578-1 or	3/4-16	5	13.6	214	3/8 ODF	8	139.2/8.7	126.4/ 7.9	128.0/8.0	128.0/8.0	108.8/6.8
51081-1	51046-3	31581-1	3/4-16	5	13.6	214	3/8 ODF	8	139.2/8.7	126.4/ 7.9	128.0/8.0	128.0/8.0	108.8/6.8
51082	51028-6	31578-1	3/4-16	6	13.6	299	3/8 ODF	8	201.6/12.6	182.4/11.4	185.6/11.6	184.0/11.5	156.8/9.8
51082-1	51045-2	31585	1-14	6	16.7	377	3/8 ODF	15	251.2/15.7	227.2/14.2	232.0/14.5	230.4/14.4	196.8/12.3
51082-2	51053	31585	1-14	6	20.7	480	1/2 ODF	18	318.4/19.9	288.0/18.0	292.8/18.3	291.2/18.2	249.6/15.6
51085-1				2.5	6	28	1/4 ODF	2.5					

Horizontal Tanks	Bracket Mounted Valve	Tank OD (in)	Length (in)	Internal volume (cubic in)	In/Out	Approx. Shipping Weight (lbs.)	R-12	R-22	R-502	R-134a	R-404A
51083	56593	6	36	916	1/2 ODF	30	679.2/42.5	617.3/38.6	625.4/39.1	623.8/38.9	535.8/33.5
51084	56596	5	36	646	1/2 ODF	25	471.7/29.5	428.8/26.8	434.4/27.2	433.3/27.1	372.2/23.3
51085-1H	NA	2.5	6	28	1/4 ODF	2.5					
51085-1HV	Valve Included	2.5	7.5	28	1/4 ODF	2.5					

Note: New receiver tanks do not include the valve. Valve must be ordered separately by the part number listed.



### Rotolock Valves and Gaskets

Rotolock Valve P/N	Mounting Nut (in)	Size and Connection Type (in)	Gage Port Location	O Ring Gasket P/N
31524-1	1-1/4	1-1/8 ODF	Right Side	30233
31529-1	1-1/4	7/8 ODF	Right Side	30233
31530-1	1-1/4	3/4 ODF	Right Side	30233
31531-1	1-1/4	5/8 ODF	Right side	30233
31576	1-1/4	7/8 MDF	Top Side	LP60/Mech lok
31523-2	1	5/8 ODF	Left Side	30234
31071-2	1	5/8 SAE	Top and Left Side	30234
31527-2	1	1/2 ODF	Left Side	30234
31546	1	1/2 SAE	Top Side	30234
31552-3	1	5/8 SAE	Right Side	30234
31552-4	1	5/8 SAE	Left and Right Side	30234
31585	1	1/2 SAE	Left and Right Side	30234
31590	1	5/8 ODF	Left and Right Side	30234
31592	1	3/8 ODF	Left and Right Side	30234
31547-1	3/4	3/8 SAE	Top Side	30334
31547-6	3/4	1/2 SAE	Top Side	30334
31547-7	3/4	1/2 SAE	Left Side	30334
31547-8	3/4	3/8 SAE	Left Side	30334
31555-1	3/4	3/8 ODF	Top Side	30334
31578-1	3/4	3/8 SAE	Left and Right Side	30334
31579-1	3/4	1/2 SAE	Left and Right Side	30334
31581-1	3/4	3/8 ODF	Left and Right Side	30334
31582-1	3/4	1/2 ODF	Left and Right Side	30334
31584-1	3/4	1/4 SAE	Left Side	30334
31589-1	3/4	1/4 ODF	Left Side	30334
31591	3/4	1/4 ODF	Left and Right Side	30334
31593	3/4	3/8 ODF	Left and Right Side	30334
31594	3/4	5/8 ODF	Left and Right Side	30334
31583-1	3/8	1/4 SAE	Process	N/A

Port locations are listed as viewed from stem end with mounting nut on bottom.

Tecumseh No.	Description	Size (in)	Note
40856	Valve stem cap	3/4 FPT x 1-7/16 long	Plastic
40856-1	Valve stem cap	3/4 FPT x 1-13/16 long	Plastic
70969	Service port cap	1/4 FPT	Plastic
3003	Service port cap	1/4 FPT	Brass



### Rotolock Adapters

Tecumseh #	Description	Fits (in)	Thread (in)	Gasket	Comments (in)
40790	Straight Rotolock Adapter	3/8 ODM	1	30324	1/4 Flare Connection
40791	Straight Rotolock Adapter	1/2 ODM	1	30324	1/4 Flare Connection
40793	Straight Rotolock Adapter	3/4 ODM	1-1/4	30233	1/4 Flare Connection
40794	Straight Rotolock Adapter	1 ODF	1-1/4	30233	1/4 Flare Connection
40874	Right Angle Rotolock Adapter	1/2 ODM OR 3/8 ODF	1	30234	1/4 Flare Connection
40875	Right Angle Rotolock Adapter	3/4 ODF-7/8 ODM	1-1/4	30233	1/4 Flare Connection
41412	Straight Rotolock Adapter	7/8 ODM	1-1/4	30233	1/4 Flare Connection
K30-6	Right Angle Rotolock Adapter	See 40874/5	1-1/4	30234/3	Kit
K30-8	Right Angle Rotolock Adapter	See 40874	1-1/4	30234	Kit

### Shut Off and Process Valves

Part Number	Description	Replaced By	Inlet (in)	Outlet (in)	Connection(s)
56561	Process Valve		3/8 SAE		1/4 SAE
56566	Shut Off Valve, Bracket/Base Mount	56596	1/2 ODF	1/2 ODF	1/4 SAE
56589	Discharge Check Valve, Inline Mount		3/4 ODF	3/4 ODF	
56592	Shut Off Valve, Bracket/Base Mount		1-1/8 ODF	1-3/8 ODF	1/4 SAE
56593	Shut Off Valve, Bracket/Base Mount		5/8 ODF	1/2 ODF	1/4 SAE (2)
56594	Shut Off Valve, Base Mount		1/4 ODF	1/4 ODF	1/4 SAE
56596	Shut Off Valve, Bracket/Base Mount		1/2 ODF	1/2 ODF	1/4 SAE (2)
56603	Process Valve		1/4 ODF		16828 Valve Core Required
56604	Shut Off Valve, Base Mount		3/8 SAE	5/16 ODF	1/4 SAE
56605	Shut Off Valve, Base Mount		1/4 ODF	1/4 ODF	1/4 SAE
56618	Shut Off Valve, Base Mount		3/8 ODF	3/8 ODF	1/4 SAE (2)
56501-7	Shut Off Valve, Base Mount		1/4 ODF		1/4 SAE, 3/8 SAE
56501-8	Shut Off Valve, Base Mount		1/4 ODF		1/4 SAE, 3/8 SAE
56502-3	Shut Off Valve, Base Mount		1/4 ODF		1/4 SAE (2)
56526-2	Shut Off Valve, Base Mount		3/8 ODF		1/4 SAE (2), 3/8 SAE
56533-4	Shut Off Valve, Base Mount		5/16 ODF		1/4 SAE, 3/8 SAE
56538-3	Shut Off Valve, Bracket/Base Mount		1/4 ODF	3/8 SAE	
56568-2	Shut Off Valve, Base Mount		3/8 ODF		1/4 SAE, 3/8 SAE
56571-1	Suction Valve, Base Mount	56571-2			
56571-2	Suction Valve, Base Mount		3/8 ODF		1/2 SAE, 1/4 SAE
56575-2	Shut Off Valve, Base Mount		5/8 SAE	1/2 ODF	1/4 SAE
56580-1	Shut Off Valve, Base Mount		5/16 ODF	3/8 ODF	1/4 SAE
56582-1	Shut Off Valve, Base Mount		1/4 ODF	1/4 ODF	1/4 SAE
56595-1	Shut Off Valve, Bracket/Base Mount		1-1/8 ODM	1-1/8 ODF	1/4 SAE (2)



### Miscellaneous Parts

Tecumseh No.	Part Name	Description / Dimensions (in)
10001-C3	Screw	1/4-28 x 3/8 Hx Head
10003-C4	Screw	5/16-24 x 1/2 Hx Head
10101-5B	Screw	6-32 x 1/4
10118-C5	Screw	8-32 5/16 Blind Hd Mach
10118-C6	Screw	8-32 3/8 Blind Hd Mach
10181-C5	Screw	10-32 Washer Hx Hd
10706-C8	Screw	7-19 x 1/2 Hx Hd
10715-C8	Screw	10-24 x 1/2 Hx Hd
10716-C4	Screw	1/4-20 x 1/2
10724-C6	Screw	8-32 3/8 Hx Washer
10752-C6	Screw	Dual Hd Terminal AG
10759-C6	Screw	10-32 x 3/8 Phil. Slot Pan Hd
11214	Hex Nut	Flange Type Locking 5/16-18
11223	Lock Nut	5/16/18
11226	Lock Nut	1/4 x 20
11230	Hex Nut	Flange Type Locking RK
12056	Washer	3/8 Flat
12063	Washer	1/2 Flat
12319	Lockwasher	1 Internal Tooth
2149	Locknut	Flare 3/8 (AE)
2174-C	Lockwasher	3/8 Heavy
26050	Spring	Overload Tension AE
26056	Spring	Overload Tension AJ
26057	Spring	Overload Tension AJ
26070	Spring	Compressor Mnt. (LP4)
26125	Overload Holder	For AK 3/4
26126	Overload Holder	For AK 1
26212	Spring	3/4 Overload Mnt. AE-AC
26217	Spring	1 Overload Mnt. AK
28690	Adapter Plate	Was sold in K698-6 Kit
28716	Bracket	Pressure Control Bracket in Panel
28747	Cap. Mntg. Bracket	Capacitor Bracket
28806	Cap. Mntg. Bracket	Capacitor Bracket
30233	Valve Gasket	Teflon 1-1/4
30234	Valve Gasket	Teflon 1
30334	Valve Gasket	Teflon 3/4
3000	Flare Nut	1/4
3231	Flare Nut	1/2
33235	Bolt	1-1/2 x 1/4-28 Thread
33408	Screw	10-32 Flat Head
33418	Screw	8-36 x 7/16
4049	Hex Nut	3/8/16
40651-1	Overload Adapter	AJ
40856	Valve Cap	3/4 x 1-9/64
40856-1	Valve Cap	3/4 x 1-1/8
56552	Valve Core	Core for AE, AN valve
57068	Cap. Mtg. Bracket	Fits Cap. 3-3/8 (3.656)L
57068-1	Cap. Mtg. Bracket	Fits Cap. 4-3/8 (4.656)L
57068-2	Cap. Mtg. Bracket	Fits Cap. 2-3/4 (3.015)L
57613	Bracket	Electrical Box Bracket
57615	Bracket	Fence Conduit Bracket AK
70013	Speed Nut	Fan Motor Fastening 1/4-20





Tecumseh No.	Part Name	Description / Dimensions (in)
70023	Screw	Fan Motor Fastening 8-36 x 3/8
70059	Shroud Clip	AH
70111-1	Plug	AE Tube Plug 3/16 ID
70111-11	Plug	1/2 ID (3/4 Long)
70111-2	Plug	1/4 ID
70111-21	Plug	7/8 ID
70111-23	Plug	5/16 ID
70111-25	Plug	1/2 ID
70111-3	Plug	5/16 ID
70111-4	Plug	3/8 ID
70111-7	Plug	5/8 ID
70111-9	Plug	3/4 ID
70255	Bushing	Anti Short Bushing 5/16 or 3/8
70671	Stud	AG
70671-1	Stud	AJ
70671-3	Stud AH Mtg.	AG & AH
70680-13	Electrical Box	Small Control Panel Box
70681-3	Electrical Box Cover	AG & AH
70692-4	Panel Cover	Used on AN & SF
70699-1	Shroud Clip	Coated AE Clip
70802-1	Manifold	For Pressure Controls
70822	Suction Line Filter	7/8
70834-2	Motor Mtng. Grommet	Fan Motor (AG-AH-SH-SF) Mounting
71004	Coupling Nut	AG (LP60) 7/8 x 1-1/4-12
79551	Shroud Clip	AE Shroud Clip
79552	Shroud Clip	AE, AZ Shroud Clip
79555	Shroud Clip	Spring Clip LP58 & K26-2
79556-2	Capacitor Clip	Cap Clip
85106-10	Power Cord	115/60/1 AE
85106-11	Power Cord	115/60/1 AE
85106-12	Power Cord	115/60/1 AJ
85259-1	Power Cord	230/60/1 AE
85259-3	Power Cord	230/60/1 AE & AJ
85318B019	Lead Wire	To replace old model Start Caps.
85318B020	Lead Wire	To replace old model Start Caps.
85318B021	Lead Wire	To replace old model Start Caps.
85318B022	Lead Wire	To replace old model Start Caps.
85318B023	Lead Wire	To replace old model Start Caps.
90025	Connector	Straight Conn. 3/8
90070-1	Connector	90 Deg.
90091-5	Female Flag Connector	Flag Wire Connector
90360-4	Terminal Board	55 amp term. Board
90509-1	Conduit Box	use w/ 90509-2
90509-2	Conduit Box Cover	use w/ 90509-1
90528-1	Capacitor End Cap	Fits case Sz. 1-7/16 Dia. (1.437)
90528-2	Capacitor End Cap	Fits case Sz. 1-13/16 Dia. (1.812)
90528-3	Capacitor End Cap	Fits case Sz. 2-1/16 Dia. (2.062)
90528-4	Capacitor End Cap	Fits case Sz. 2-9/16 Dia. (2.562)



<b>Tecumseh No.</b>	<b>Part Name</b>	<b>Description / Dimensions (in)</b>
90568	Connector	Thinwall 1/2
90593-14	Conduit	Extra Flex 7/16
90614	Connector Block	AN, & SFA5611 only
90637	Crankcase Heater Clip	Support Clip
90651	Electrical Box Cover	Used w/ 90652 AJ
90652	Electrical Box	Used w/ 90651 AJ
90680-3	Capacitor Strap	AH
90979	Connector Block	AG-AW-RK-SF except SFA5611
90991	Relay Box	Used w/ 90992 AK
90992	Relay Box Cover	Used w/ 90991 AK
14950114	Screw Kit	3 pcs. 10773-4B Screw
14950473	Screw Kit	3 pcs. 10773-4B Screw, 6 pcs. 10118-C5 Screw
28677-1	Compressor Mounting Plate	For AK Model
26070	Spring Clip	For AK Compressor Mounting Plate





Tecumseh Products Company  
1136 Oak Valley Drive  
Ann Arbor, MI 48108  
800.211.3427 | 734.585.9500  
[www.tecumseh.com](http://www.tecumseh.com)

©2010 Tecumseh Products Company. All rights reserved.

REV 7/10  
NEW  
Publication No. NEW