

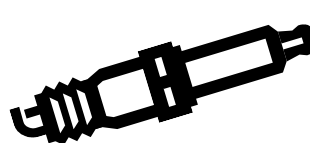


Servicing The Wholesaler



For Over 61 Years

Your Single Source!



The Crown 2011 Product catalog

Welcome!...to the Crown family of products

About us...

Crown Engineering Corporation...the Manufacturer!

Crown Engineering Corporation is one of the largest manufactures of electrodes, flame rods, and probes for ignition related applications regarding oil and gas fired equipment. We manufacture many of the electrodes for today's waste oil burners. Our ignition electrodes can be found in **Beckett AFII** burners, **Wayne Blue Angel** oil burners, **Carlin's Elite** oil burners, **Midco** power gas burners, **Wayne** power gas burners, **Fulton** boilers, and **Kewanee** boilers. We have designed and supplied ignition products for grain drying equipment. Our products can even be found in hot water heaters, pressure washers, and diesel truck heaters, of all places!

Crown Engineering Corporation is also a manufacturer of terminal connectors. Our connectors are used in power source applications between electrode and transformer. We also manufacture connector to connector cable assemblies for **Fulton Boiler Co.**

Crown Engineering Corporation...the Distributor!

In addition to manufacturing electrodes and terminals for our customers we are swamped with numerous requests for other related products. We rose to the demands of our customers needs. After we began our, "Single Source!", campaign, it lead to an onslaught of numerous distribution items. These products range from industrial igniters, couplers, putty, gauge glass and fractional v-belts.

In Closing...

Crown Engineering is proud to present our 2011 Product Catalog, featuring over 1700 different cataloged products. Take the time to look through it. This is our most informative and organized edition ever! Our OEM electrode section has extras, such as, OEM part numbers and model number information, and updated photos and line art for many of the old Crown favorites have been added, and continuous page numbers with Section numbers instead of alpha sections. Our "on edge description tabs," makes thumbing through sections easier than ever. So, don't judge our book by it's cover! Literally! Take a look inside, there's more!.

We graciously welcome you, and thank you for choosing our company as a source of supply. We hope to serve you humbly for many years to come. If at any time you are not completely satisfied with the product(s), and service we offer, please do not hesitate to openly discuss the problem with us. With Crown there is never a problem that cannot be solved. We think of you as more than just a customer...we treat all our customers like family!. We look forward to hearing from you.

Sincerely,

Michael J. Palmer

President

Product Index “A” through “K”

Symbols

no entries

A

A pump strainer gaskets 87
A pump strainers 89
Air Cones for Beckett Burners 107
Air Cones for Wayne Burners 105
Anti-Hum Device 87
Aquatat Immersion Wells 99
Auburn Electric Feed-throughs 39
Auburn Igniters & Flame Rods 40
Auburn Liquid Level Electrodes 48
Auburn Observation Ports 50

B

B & G Pump Couplers 81
Beckett Air Cones 107
Beckett flange gasket 75
Beckett flange kit 75
Blowout gun 97
Boards, Refractory 75
Boots, Silicone & Ceramic 49
Braided Hose 90, 91
Braided Rope, Hi-Temp 73
Brass Friction Rings 101
Burner Couplings, Pioneer 79
Buss Bar Connectors 65

C

Cable, GTO & Silicone 66
Cad Cell Eyes, HW# C554A 69
Cad Cell Kits 65
Carlin gaskets 76
Cartridges, CO² 98
Ceramic Cutting Tool 96
Ceramic fiber blanket 74
Ceramic Putty, Thermeez 75
Ceramic Roping 73
Ceramic terminal connectors 49
Champion spark plugs 39
Chem Flush - 1 93
Chem flush valve 93
Chem-Flush valve sight tube 93
Circulator Couplings 81
Circulator lube oil 81
CO² Blowout guns 97

C

Coiled Circulator Couplers 81
Color coded Vac gauge 86
Control Blast blow-out gun 97
Copper oil line tubing 87
Cotton filter elements 83, 84
Coupler tubing, Bulk 80
Coupling cutter tool 96
Coupling end caps 80
Coupling Kit 79
Crimping tool 96
Crimping tool, Heavy duty 96

D

De-aerator 88
De-greaser 93
Digital pocket dial thermometer 95

E

Electric Feed-throughs 39
Electrode kits 31, 32, 33, 34, 35, 36, 37, 38
Electrode rod paks 65
Electrode tip benders 97
Electrodes 5
Electrodes, OEM 5
Electrodes, standard 29
End cones, Beckett 107
End cones, Wayne 105, 106

F

Fast Drying De-greaser 93
Fiberfrax® 440J gasket paper 74
Fiberglass tape 74
Filter elements 83
Filter mounting bracket 85
Firomatic® Fusible Valve 91
Flame detectors 65, 69
Flame rods, Auburn 40
Flame rods, Crown 57, 58
Flexible Braided Hose 90, 91
Flow Control® de-aerator 88
Friction Rings 101
Furnace cement 77

G

G.E. Door Gasket 76
Gasket, Utility roll 76
Gaskets 76, 77
Gauge glass & Porcelain cutter 96
Gauge glass, high pressure 102
Gauge glass, red line 103
Gauge glass, standard 102
Gauge Glass Valves 101
Gauge glass washers, Marvel 100
Gauge glass washers, Standard 101
Gauges 86

H

Handi-Kutter 80
Heavy duty coupling cutter 96
Heavy duty terminal crimping tool 96
Heil/Bradford/Olsen cover gasket 76
High Temperature Asbestos Free Rope 73
High temperature rope 73
Honeywell Cad Cell Kit 65
Hydronic circulator lube oil 81

I

Igniters & Flame rods, Auburn 40
Igniters & Flame rods, Crown 51
Ignition terminal kits 67
Ignition terminals 70
Immersion Wells, Aquatata 99
Inspection mirrors 95
Inspection mirrors, Telescoping 95
Insulator, Standard 29
Insulators, Spider 28

J

J,H,S pump strainer gaskets 87
J,H,S, pump strainers 89

K

KK100 Koupling King II 79, 80
KK112 Koupling King II - 12+ Pack 79
KK120 Koupling King II 79
KK400 Ultra Koupling Kit 79



Product Index “L” through “Z”

L

Lineman's strip n' crimp pliers 98
Low voltage test leads 66

M

Manufacturers rep listing 94
Marvel Gauge Glass Washers 100
Match holder 95
Miller gasket kit 77
Miller gaskets 76, 77
Miller oil line kit 87

N

Nozzle Wrench Tool 97

O

O-Ring gasket for Riello 88
Observation Ports - Auburn 50
Observation Ports - Lenz Brand 50
OEM Electrodes 5
Oil line, Flexible 90
Oil line, Riello 91
Oil line tubing, Copper 87
Oil Safety Valves 91

P

Packing nut kit 101
Packing nuts 101
Pioneer Products 80
Pliers, lineman 98
Pocket dial thermometer 95
Porcelain & gauge glass cutter 96
Pressure gauge 86
Probes, S/S & Brass 50
Pump cover gasket for Riello 88
Pump strainers 89
pump strainers 89
Pump strainers gaskets 87
Pump test kit 99

Q

Quick Spin IIITM filtration system 84

R

Rajah equivalent connectors 70
Ratchet box wrench 97
Rayon filter 83
Ready Fit Couplers 79
Redline tubular gauge glass 103
Refractory target boards 75
Replacement blades for 40402 96
Riello air tube gasket 76
Riello Flexible hose 91
Riello O-ring 89
Riello O-rings 88
Riello pump strainer 89
Rope, Braided 73
Rope, Fiberglass 77
Rope, Twisted 73

S

Setting gauge, Electrode 98
Sight tube with cap 93
Silent Flow 87
Silicone Boots 49
Silicone cable 66
Silicone Tape 99
Smoke Candles 93
Smoke Emitters 93
Smoke test paper 93
Solderless terminal kit 72
Solderless terminals 72
Soot kutter 96
Spark plugs, Champion 39
Spin on filters 85
Spring / Coiled Circulator Couplers 81
Squeeze & Pop cutter 96
Standard gauge glass washers 101
Strainers 89
String filter elements 83, 84

T

Tank gauge 88
Tape, Fiberglass 74
Target boards, Refractory 75
Telescoping inspection mirrors 95
Telescoping mirror, magnet & light kit 95
Telescoping pocket magnet 95
Terminal connectors 70
Terminal crimping tool 96

Terminal ignition kits 67
Test leads 66
Thermeez® ceramic putty 75
Thermo Pride cover gasket 76
Thermometer, digital 95
Thermometer, pocket dial 95
Tip benders, Electrode 97
Transformer kit 67
Tridicator gauges 86
Trouble shooting guide 78
Tubular gauge glass 102
Twisted Rope, Hi-Temp 73

U

Universal gasket 76
Utility gasket roll 76

V

V-Belts, fractional 104
Vacuum Breaker 98
Vacuum gauge 86
Valker® Chem Flush - 1 93
Valker® Chem Flush Valve 93
Valker® Fast Drying De-greaser 93
Valker® Products 93
Valker® Sight tube with cap 93

W

Washers, Gauge glass 101
Washers, Marvel brand 100
Webster Vacuum Breaker 98
Webster® Oil Safety Valves 91
Weil McLain Oil line 87
White Rodgers Cad Cell and Lead 65
Wix filter elements 83
Wood's Sure-Flex® couplers 82
Wood's Sure-Flex® inserts 82
Wrench, Nozzle 97
Wrench, ratcheting 97

X

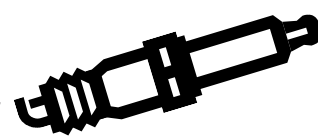
no entries

Y

no entries

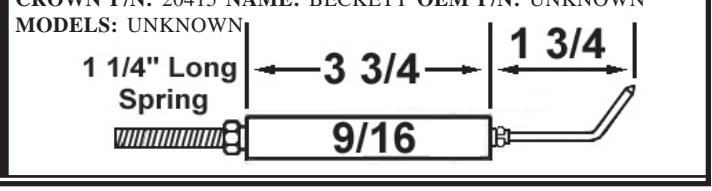
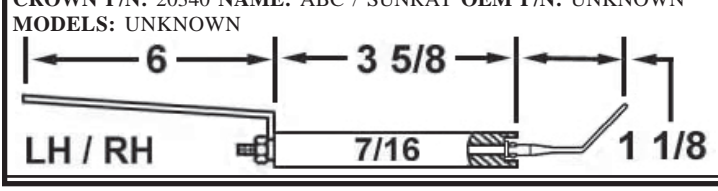
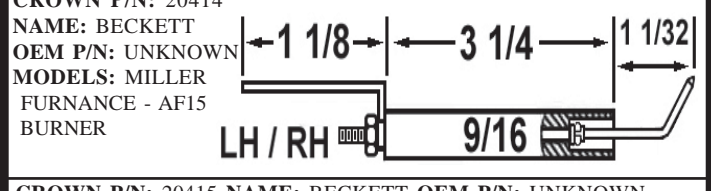
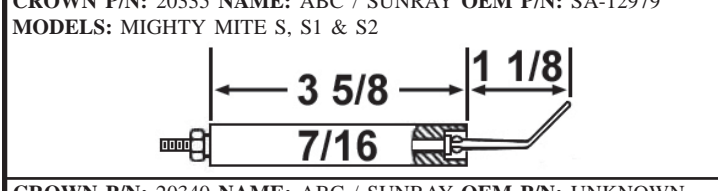
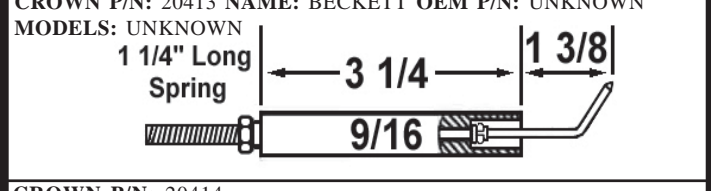
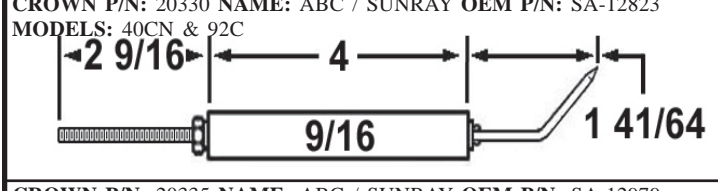
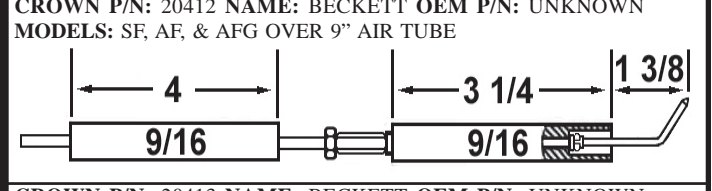
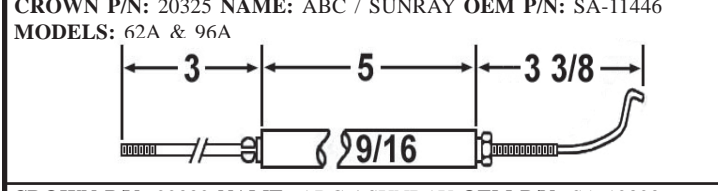
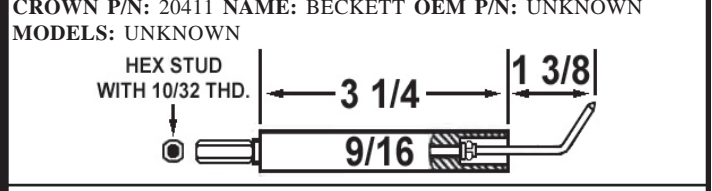
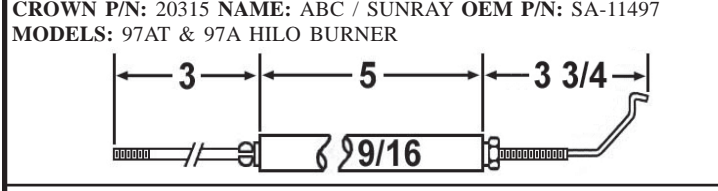
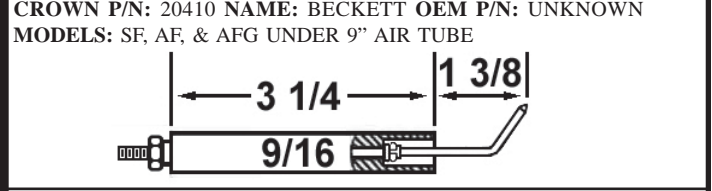
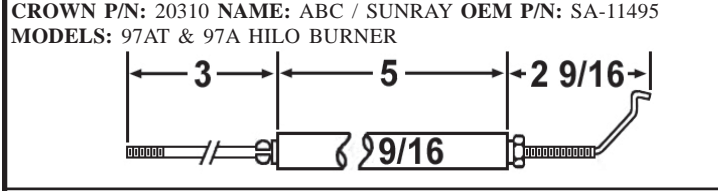
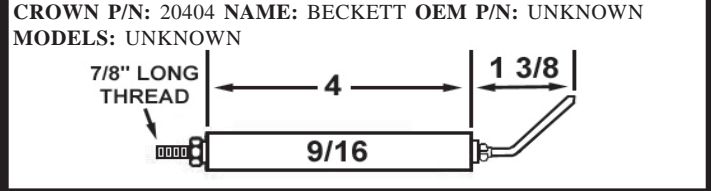
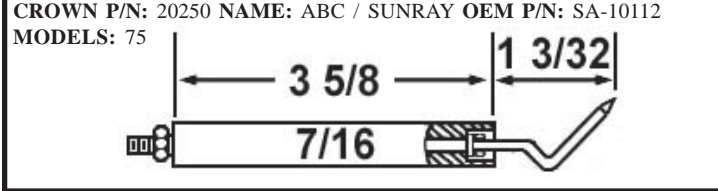
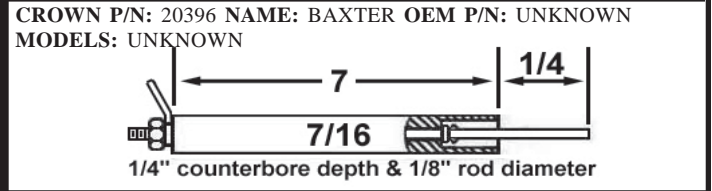
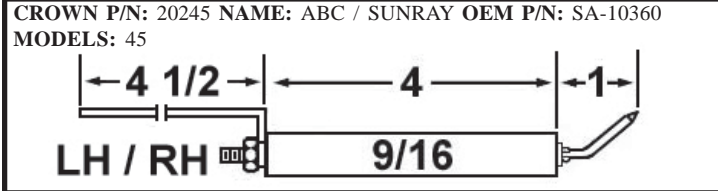
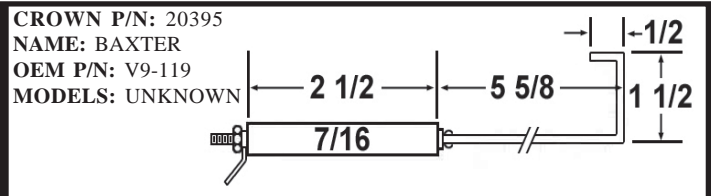
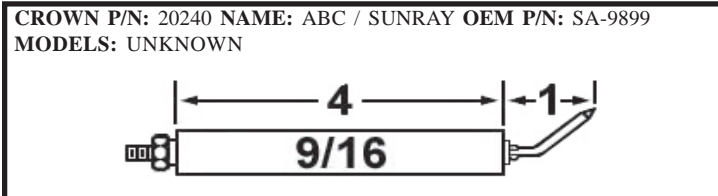
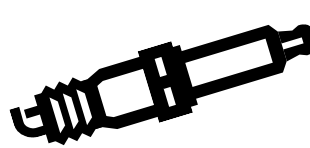
Z

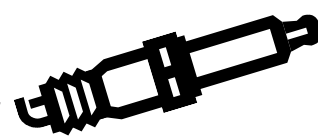
Zoom spout oil 81



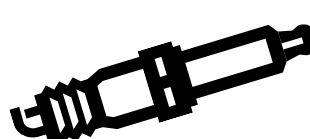
Section 1: Electrodes

<p>CROWN P/N: 20005 NAME: ACE OEM P/N: 212096 MODELS: UNKNOWN</p>	<p>CROWN P/N: 20155 NAME: AMERICAN STANDARD OEM P/N: 95603 MODELS: "E" FOR SHELLHEAD</p>
<p>CROWN P/N: 20075 NAME: AERO OEM P/N: UNKNOWN MODELS: E & EHS</p>	<p>CROWN P/N: 20165 NAME: AMERICAN STANDARD OEM P/N: 23411 MODELS: DH-23-T</p>
<p>CROWN P/N: 20076 NAME: AERO OEM P/N: 27-25132100 MODELS: FAFC, HF-U5, HFAFC.</p>	<p>CROWN P/N: 20188 NAME: AXEMAN-ANDERSON OEM P/N: LH 144539-7 & RH 144538-7 MODELS: UNKNOWN</p>
<p>CROWN P/N: 20077 NAME: AERO OEM P/N: 27-25132100 MODELS: FAFC, HF-U5, HFAFC.</p>	<p>CROWN P/N: 20195 NAME: ARMSTRONG OEM P/N: 215-01A MODELS: UNKNOWN</p>
<p>CROWN P/N: 20080 NAME: AERO OEM P/N: UNKNOWN MODELS: G & GHS</p>	<p>CROWN P/N: 20197 NAME: AUBURN OEM P/N: UNKNOWN MODELS: "AA" TURBULATOR</p>
<p>CROWN P/N: 20125 NAME: AMERICAN STANDARD OEM P/N: 11385 MODELS: PH</p>	<p>CROWN P/N: 20200 NAME: ABC / SUNRAY OEM P/N: UNKNOWN MODELS: UNKNOWN</p>
<p>CROWN P/N: 20135 NAME: AMERICAN STANDARD OEM P/N: 15156 MODELS: DH & PH2</p>	<p>CROWN P/N: 20205 NAME: ABC / SUNRAY OEM P/N: UNKNOWN MODELS: UNKNOWN</p>
<p>CROWN P/N: 20140 NAME: AMERICAN STANDARD OEM P/N: 72918 MODELS: ARCO FLAME OIL BURNERS</p>	<p>CROWN P/N: 20220 NAME: ABC / SUNRAY OEM P/N: SA-8892 MODELS: 55A</p>
<p>CROWN P/N: 20150 NAME: AMERICAN STANDARD OEM P/N: 94121 MODELS: "E" STANDARD HIGH & LOW PRESSURE</p>	<p>CROWN P/N: 20230 NAME: ABC / SUNRAY OEM P/N: A9806-R-6 1/2 MODELS: 45 & 55J</p>

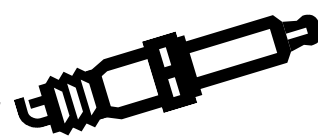




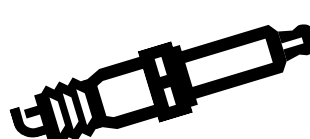
<p>CROWN P/N: 20416 NAME: BECKETT OEM P/N: UNKNOWN MODELS: UNKNOWN</p>	<p>CROWN P/N: 20437 NAME: BECKETT OEM P/N: 6603250 MODELS: INTERTHERM</p>
<p>NOTE: Buss bar kicks away from you in this position.</p> <p>CROWN P/N: 20417 NAME: BECKETT OEM P/N: 51096050 MODELS: UNKNOWN</p>	<p>CROWN P/N: 20441 NAME: BECKETT OEM P/N: 6600610 & 11 MODELS: INTERTHERM</p>
<p>CROWN P/N: 20418 NAME: BECKETT OEM P/N: 5787-07 & -08 MODELS: AFG & AF-90</p>	<p>CROWN P/N: 20444 NAME: BECKETT OEM P/N: 5987L & R MODELS: CF BURNER</p>
<p>CROWN P/N: 20420 NAME: BECKETT OEM P/N: UNKNOWN MODELS: UNKNOWN</p>	<p>CROWN P/N: 20455 NAME: BETHLEHEM OEM P/N: A-1186 MODELS: SE-1186</p>
<p>CROWN P/N: 20422 NAME: BECKETT OEM P/N: UNKNOWN MODELS: UNKNOWN</p>	<p>CROWN P/N: 20465 NAME: BETHLEHEM OEM P/N: UNKNOWN MODELS: UNKNOWN</p>
<p>CROWN P/N: 20425 NAME: BECKETT OEM P/N: UNKNOWN MODELS: UNKNOWN</p>	<p>CROWN P/N: 20470 NAME: BETHLEHEM OEM P/N: 31G8101/8-2-182C MODELS: UNKNOWN</p>
<p>CROWN P/N: 20428 NAME: BECKETT OEM P/N: UNKNOWN MODELS: UNKNOWN</p>	<p>CROWN P/N: 20475 NAME: BETTENDORF OEM P/N: P-4757 MODELS: UNKNOWN</p>
<p>CROWN P/N: 20430 NAME: BECKETT OEM P/N: UNKNOWN MODELS: UNKNOWN</p>	<p>CROWN P/N: 20480 NAME: BETTENDORF OEM P/N: ET-119 MODELS: SE1855</p>
<p>CROWN P/N: 20435 NAME: BECKETT OEM P/N: UNKNOWN MODELS: UNKNOWN</p>	<p>CROWN P/N: 20495 NAME: BETTENDORF OEM P/N: M7509 AND M7510 MODELS: UNKNOWN</p>



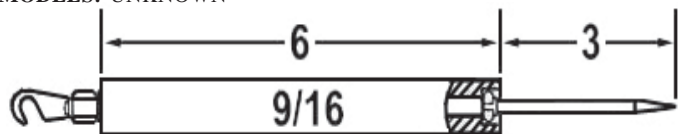
<p>CROWN P/N: 20500 NAME: BETTENDORF OEM P/N: M7428 & M7429 MODELS: UNKNOWN</p>	<p>CROWN P/N: 20709 NAME: CARLIN OEM P/N: UNKNOWN MODELS: UNKNOWN</p>
<p>CROWN P/N: 20505 NAME: BETTENDORF OEM P/N: M7512 & M7513 MODELS: UNKNOWN</p>	<p>CROWN P/N: 20710 NAME: CARLIN OEM P/N: A452 MODELS: 500, 600 & 800 CRD</p>
<p>CROWN P/N: 20510 NAME: BETTENDORF OEM P/N: M7612 & M7613 MODELS: UNKNOWN</p>	<p>CROWN P/N: 20720 NAME: CARLIN OEM P/N: A106 MODELS: 501, 600, 601, 701, 801, 1050 & 1150 CRD JACOBS LADDER</p>
<p>CROWN P/N: 20532 NAME: BETTENDORF OEM P/N: M7630 & M7631 MODELS: OHP32-3</p>	<p>CROWN P/N: 20725 NAME: CARLIN OEM P/N: UNKNOWN MODELS: UNKNOWN</p>
<p>CROWN P/N: 20535 NAME: BETTENDORF OEM P/N: M7658 & M7659 MODELS: OHP30-5</p>	<p>CROWN P/N: 20730 NAME: CARLIN OEM P/N: UNKNOWN MODELS: UNKNOWN</p>
<p>CROWN P/N: 20540 NAME: BETTENDORF OEM P/N: P-8-9884 & 9885 MODELS: UNKNOWN</p>	<p>CROWN P/N: 20760 NAME: CARLIN OEM P/N: A110 MODELS: 150 SERIES</p>
<p>CROWN P/N: 20545 NAME: BETTENDORF OEM P/N: P-8-9312 & 9313 MODELS: UNKNOWN</p>	<p>CROWN P/N: 20770 NAME: CARLIN OEM P/N: A280 MODELS: 98-102, 100-101, 200-201 & 301 CRD 1/16" DIA ROD</p>
<p>CROWN P/N: 27247 NAME: BLACK GOLD OEM P/N: BN710 MODELS: 140, 200, & 340</p>	<p>CROWN P/N: 20775 NAME: CARLIN OEM P/N: A457 MODELS: 99FRD 1/16" DIA ROD</p>
<p>CROWN P/N: 20569 NAME: BLUERAY OEM P/N: CRN-14 MODELS: UNKNOWN</p>	<p>CROWN P/N: 20779 NAME: CARLIN OEM P/N: A457 MODELS: 99FRD 1/8" DIA ROD WITH 30 DEGREE TIP</p>



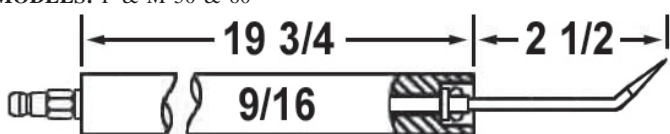
<p>CROWN P/N: 20780 NAME: CARLIN OEM P/N: A766 MODELS: 98 102, 100-101, 200-201 & 301 CRD 1/8" DIA. ROD WITH 30 DEGREE TIP</p>	<p>CROWN P/N: 20810 NAME: CENTURY OEM P/N: 103068-4 1/2 MODELS: UNKNOWN</p>
<p>CROWN P/N: 20781 NAME: CARLIN OEM P/N: A280 MODELS: 98 102, 100-101, 200-201 & 301 CRD 1/16" DIA. ROD WITH BB</p>	<p>CROWN P/N: 20820 NAME: CHICAGO EASTERN OEM P/N: P10129 & 28 MODELS: RING BURNERS</p>
<p>CROWN P/N: 20782 NAME: CARLIN OEM P/N: A457 MODELS: 99FRD 1/16" DIA ROD WITH BB</p>	<p>CROWN P/N: 20850 NAME: CHRYSLER OEM P/N: 1025759 MODELS: UNKNOWN</p>
<p>CROWN P/N: 20786 NAME: CARLIN OEM P/N: 76141 MODELS: ELITE BURNER WITH 5" AIR TUBE 2 1/2" BB</p>	<p>CROWN P/N: 20872 NAME: CLEAN BURN OEM P/N: 33183 MODELS: UNKNOWN - PROPRIETARY CONTACT CLEAN BURN</p>
<p>CROWN P/N: 20787 NAME: CARLIN OEM P/N: 76158 MODELS: ELITE BURNER WITH 7" AIR TUBE 4 1/2" BB</p>	<p>CROWN P/N: 20874 NAME: CLEAN BURN OEM P/N: 33085 & 33086 MODELS: UNKNOWN LH / RH</p>
<p>CROWN P/N: 20788 NAME: CARLIN OEM P/N: 76166 MODELS: ELITE BURNER WITH 9" AIR TUBE 6 1/2" BB</p>	<p>CROWN P/N: 20876 NAME: CLEAN BURN OEM P/N: 33109 REV 2 & 33108 MODELS: CB-2000</p>
<p>CROWN P/N: 20762 NAME: CARLIN OEM P/N: 76174 MODELS: ELITE BURNER WITH 11" AIR TUBE 8 1/2" BB</p>	<p>CROWN P/N: 20900 NAME: CLEAVER-BROOKS OEM P/N: 94-20 MODELS: UNKNOWN</p>
<p>CROWN P/N: 20795 NAME: CENTURY OEM P/N: 54991 MODELS: UNKNOWN</p>	<p>CROWN P/N: 20905 NAME: CLEAVER-BROOKS OEM P/N: 94-A-179-1 MODELS: UNKNOWN</p>
<p>CROWN P/N: 20805 NAME: CENTURY OEM P/N: 103068-4 MODELS: UNKNOWN</p>	<p>CROWN P/N: 20910 NAME: CLEAVER-BROOKS OEM P/N: 435-65 MODELS: P & M 25 TO 40</p>



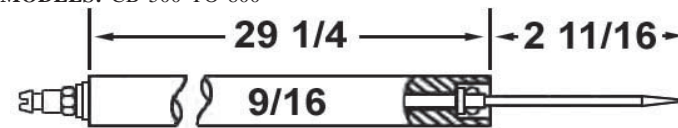
CROWN P/N: 20912 **NAME:** CLEAVER-BROOKS **OEM P/N:** 435-63
MODELS: UNKNOWN



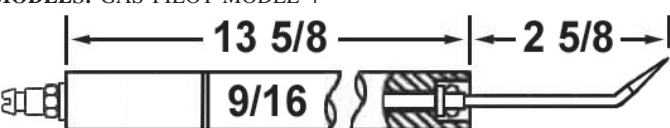
CROWN P/N: 20952 **NAME:** CLEAVER-BROOKS **OEM P/N:** 435-42
MODELS: P & M 50 & 60



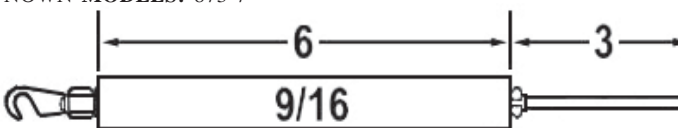
CROWN P/N: 20921 **NAME:** CLEAVER-BROOKS **OEM P/N:** 435-129
MODELS: CB 500 TO 800



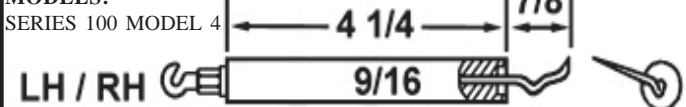
CROWN P/N: 20955 **NAME:** CLEAVER-BROOKS **OEM P/N:** 435-99
MODELS: GAS PILOT MODEL 4



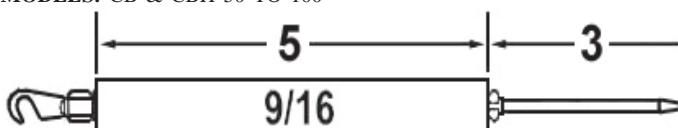
CROWN P/N: 20930 **NAME:** CLEAVER-BROOKS **OEM P/N:** UN-
 KNOWN **MODELS:** 873-7



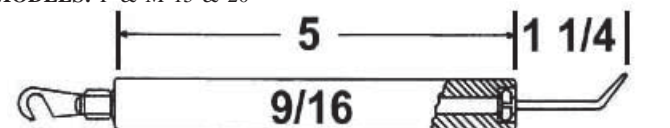
CROWN P/N: 20956 **NAME:** CLEAVER-BROOKS
OEM P/N: 435-103& 102
MODELS:



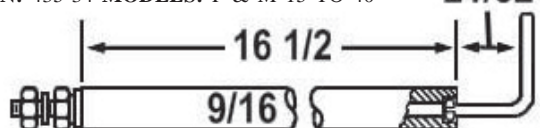
CROWN P/N: 20935 **NAME:** CLEAVER-BROOKS **OEM P/N:** 435-66
MODELS: CB & CBH 50 TO 100



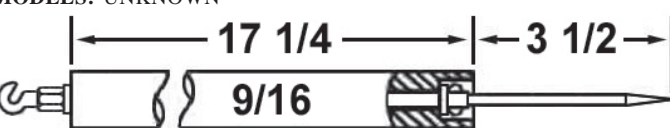
CROWN P/N: 20960 **NAME:** CLEAVER-BROOKS **OEM P/N:** 435-64
MODELS: P & M 15 & 20



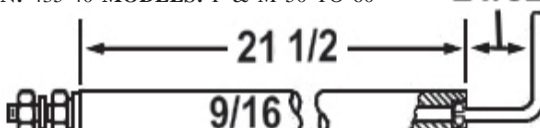
CROWN P/N: 20940 **NAME:** CLEAVER-BROOKS
OEM P/N: 435-34 **MODELS:** P & M 15 TO 40



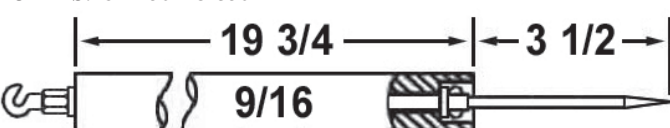
CROWN P/N: 20972 **NAME:** CLEAVER-BROOKS **OEM P/N:** 435-50
MODELS: UNKNOWN



CROWN P/N: 20945 **NAME:** CLEAVER-BROOKS
OEM P/N: 435-40 **MODELS:** P & M 50 TO 60



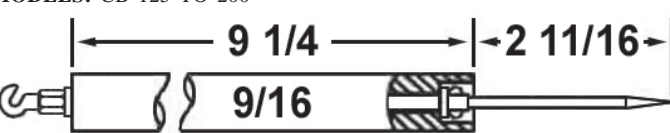
CROWN P/N: 20975 **NAME:** CLEAVER-BROOKS **OEM P/N:** 435-51
MODELS: CB 250 TO 350



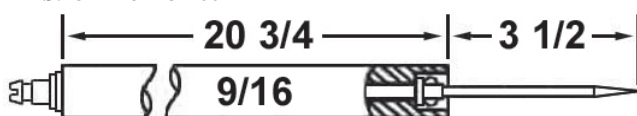
CROWN P/N: 20946 **NAME:** CLEAVER-BROOKS
OEM P/N: 435-100
MODELS: SERIES 100 MODEL 4



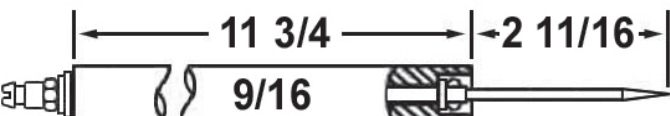
CROWN P/N: 20977 **NAME:** CLEAVER-BROOKS **OEM P/N:** 435-38
MODELS: CB 125 TO 200



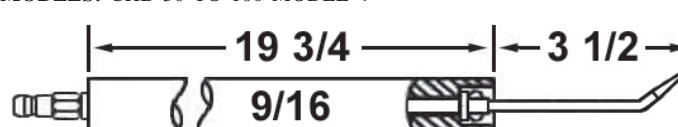
CROWN P/N: 20950 **NAME:** CLEAVER-BROOKS **OEM P/N:** 435-36
MODELS: CB 125 TO 200



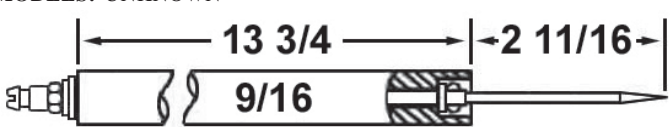
CROWN P/N: 20979 **NAME:** CLEAVER-BROOKS **OEM P/N:** 435-3
MODELS: UNKNOWN

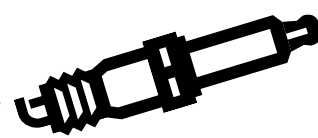


CROWN P/N: 20951 **NAME:** CLEAVER-BROOKS **OEM P/N:** 435-79
MODELS: CHB 50 TO 100 MODEL 4



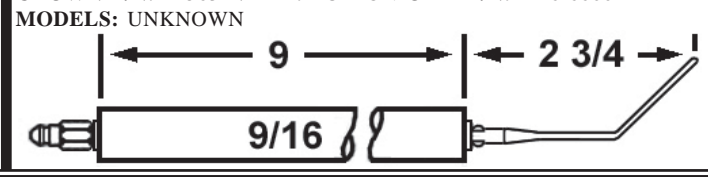
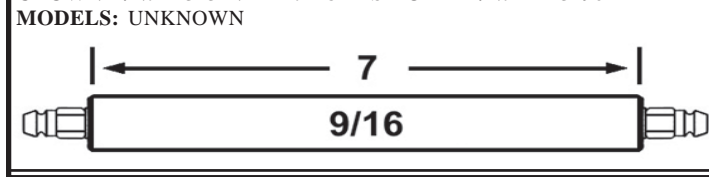
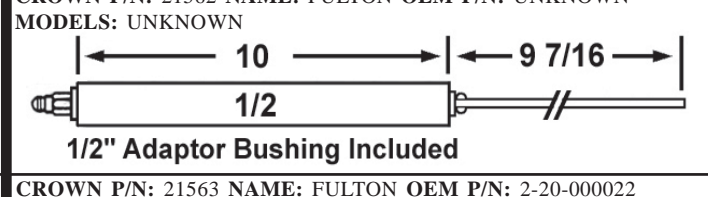
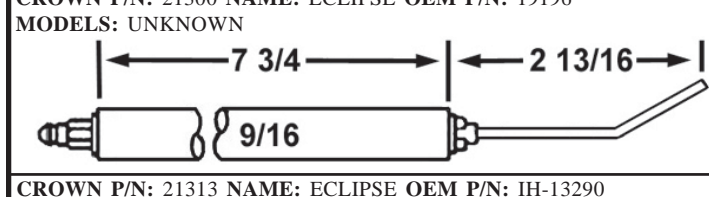
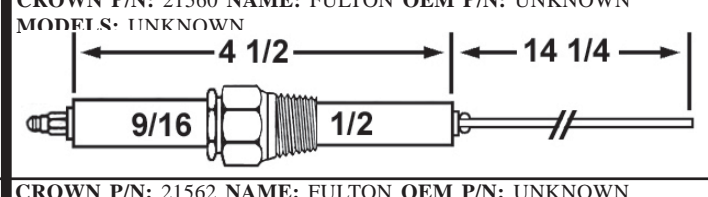
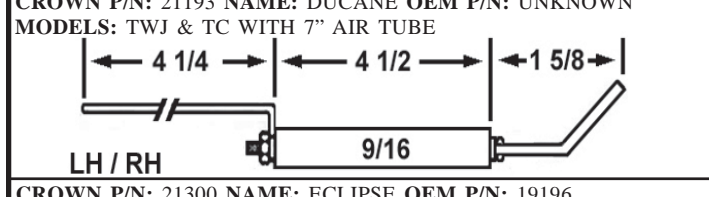
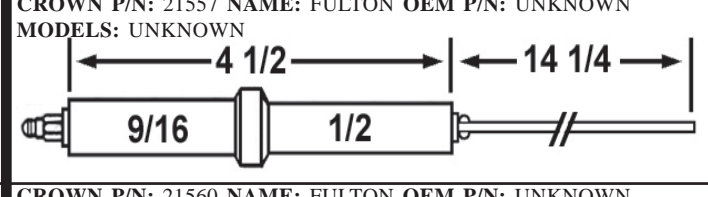
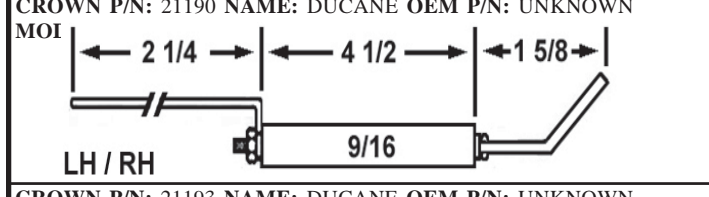
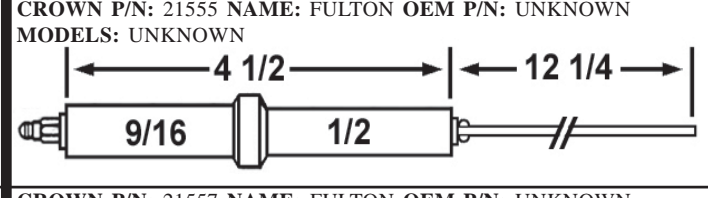
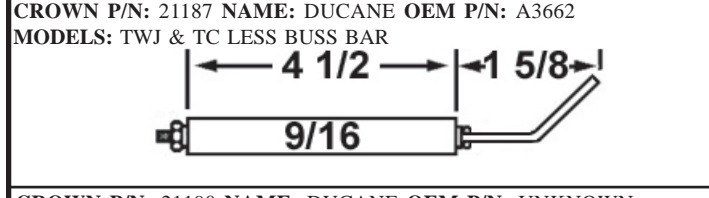
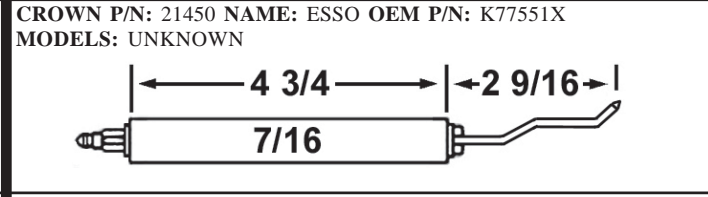
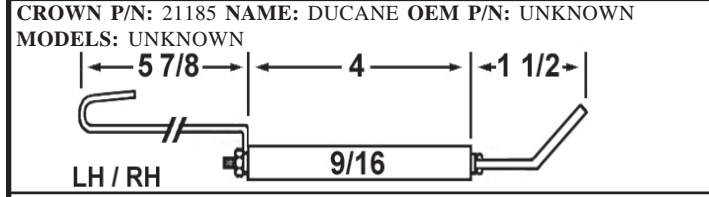
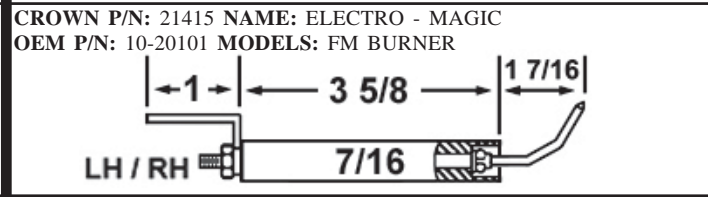
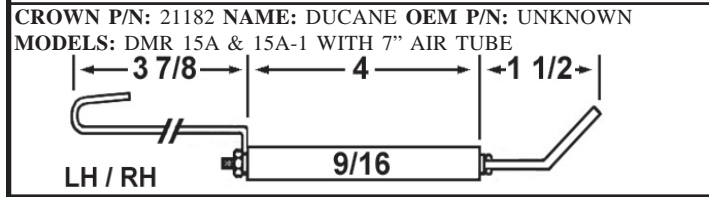
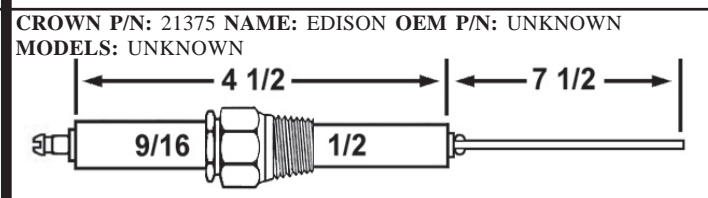
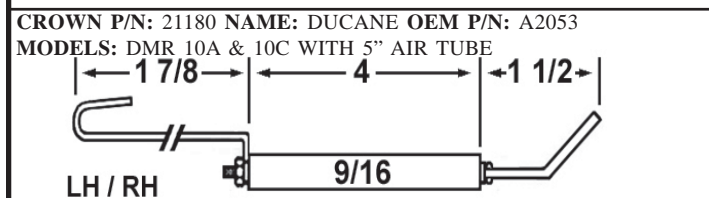
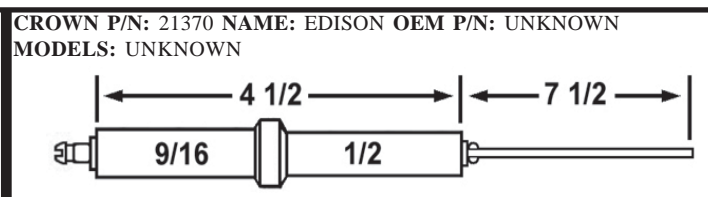
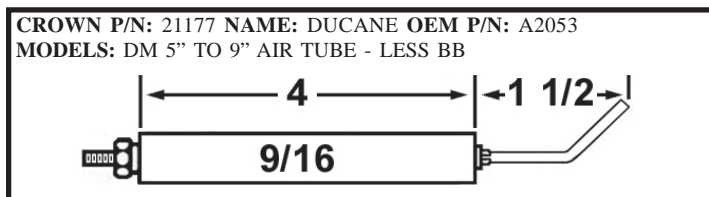
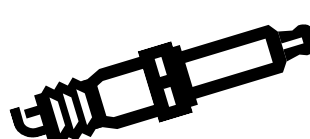
CROWN P/N: 20980 **NAME:** CLEAVER-BROOKS **OEM P/N:** 435-22
MODELS: UNKNOWN

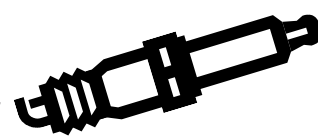




Section 1: Electrodes

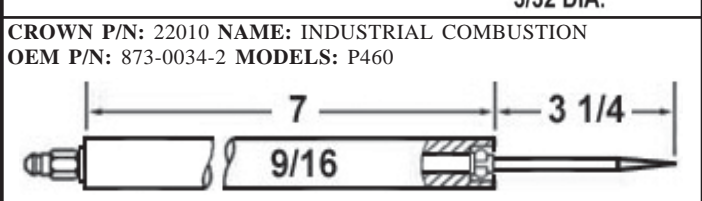
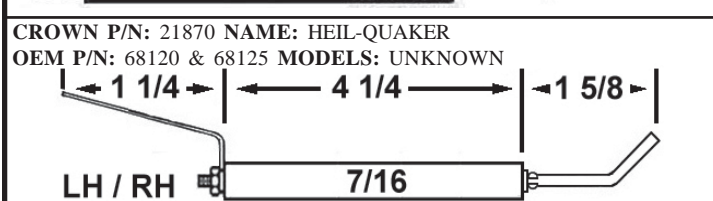
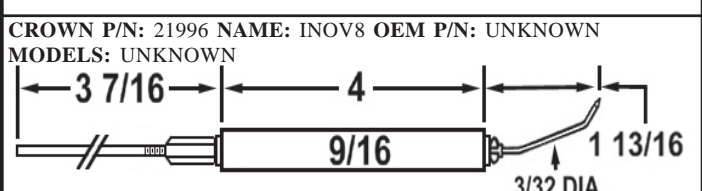
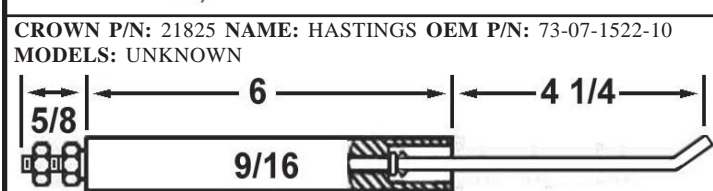
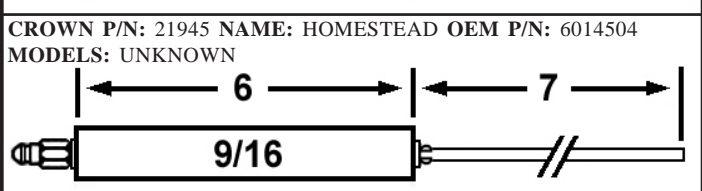
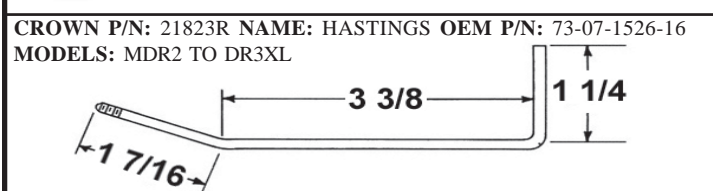
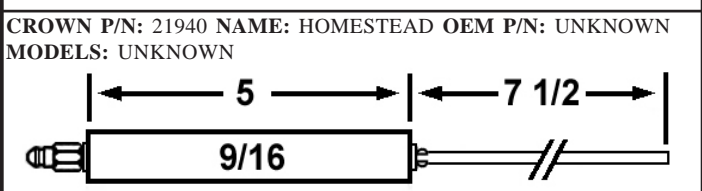
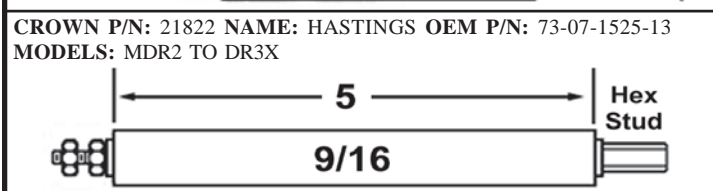
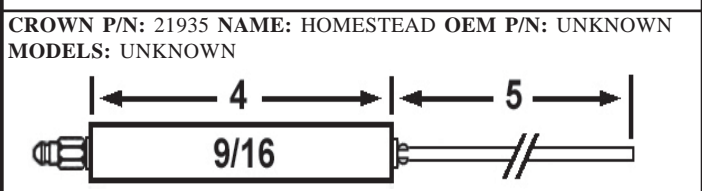
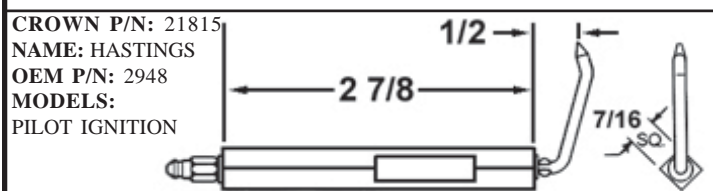
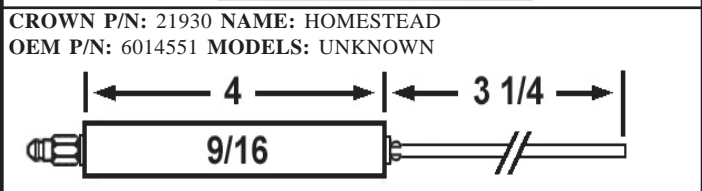
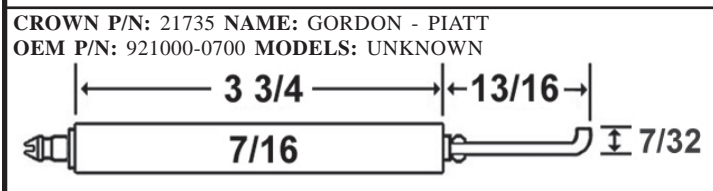
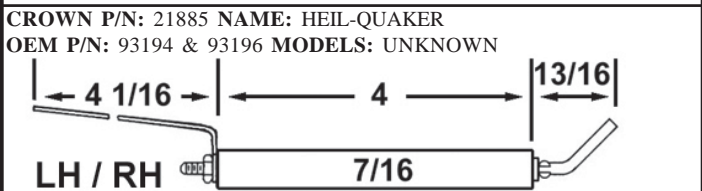
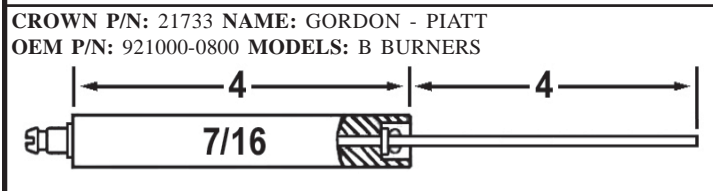
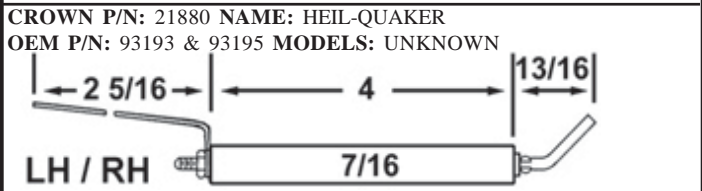
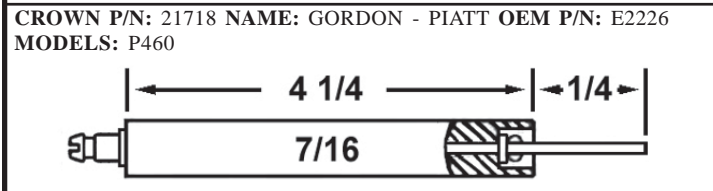
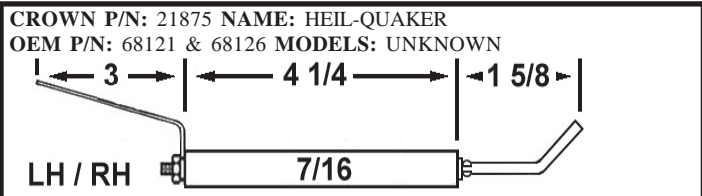
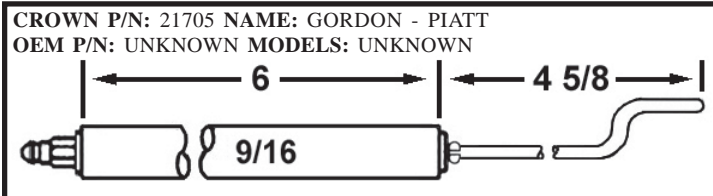
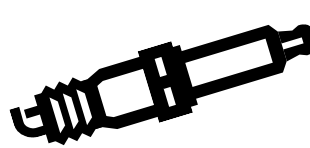
<p>CROWN P/N: 20982 NAME: CLEAVER-BROOKS OEM P/N: 435-74 MODELS: UNKNOWN</p>	<p>CROWN P/N: 21013 NAME: COLEMAN OEM P/N: 8870-420 MODELS: UNKNOWN</p>
<p>CROWN P/N: 20984 NAME: CLEAVER-BROOKS OEM P/N: 435-78 MODELS: UNKNOWN</p>	<p>CROWN P/N: 21025 NAME: COLUMBIA BOILER OEM P/N: UNKNOWN MODELS: UNKNOWN</p>
<p>CROWN P/N: 20986 NAME: CLEAVER-BROOKS OEM P/N: 435-52 MODELS: UNKNOWN</p>	<p>CROWN P/N: 21046 NAME: COX OEM P/N: UNKNOWN MODELS: UNKNOWN</p>
<p>CROWN P/N: 20989 NAME: CLEAVER-BROOKS OEM P/N: 435-71 MODELS: UNKNOWN</p>	<p>CROWN P/N: 21050 NAME: CRANE OEM P/N: UNKNOWN MODELS: CFR OIL BURNER</p>
<p>CROWN P/N: 20990 NAME: CLEAVER-BROOKS OEM P/N: 435-23 MODELS: UNKNOWN</p>	<p>CROWN P/N: 21060 NAME: CROWN OEM P/N: UNKNOWN MODELS: UNKNOWN</p>
<p>CROWN P/N: 20992 NAME: CLEAVER-BROOKS OEM P/N: 435-11 MODELS: CPT</p>	<p>CROWN P/N: 21065 NAME: CROWN OEM P/N: UNKNOWN MODELS: UNKNOWN</p>
<p>CROWN P/N: 20995 NAME: CLEAVER-BROOKS OEM P/N: 873-69 MODELS: ALL 2-7</p>	<p>CROWN P/N: 21105 NAME: DELCO OEM P/N: UNKNOWN MODELS: UNKNOWN</p>
<p>CROWN P/N: 20996 NAME: CLEAVER-BROOKS OEM P/N: 873-70 MODELS: AME & AMGE 5 & 60</p>	<p>CROWN P/N: 21115 NAME: DELCO OEM P/N: 509146 MODELS: UNKNOWN</p>
<p>CROWN P/N: 21010 NAME: COLEMAN OEM P/N: 4070-410 MODELS: UNKNOWN</p>	<p>CROWN P/N: 21155 NAME: DELCO OEM P/N: 5083431 MODELS: UNKNOWN</p>

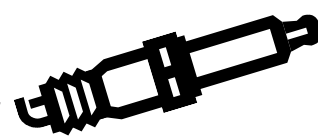




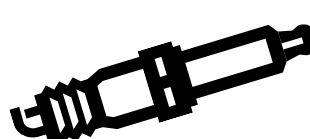
Section 1: Electrodes

<p>CROWN P/N: 21565 NAME: FULTON OEM P/N: 2-20-000021 MODELS: UNKNOWN</p>	<p>CROWN P/N: 21655 NAME: GENERAL OIL OEM P/N: UNKNOWN MODELS: UNKNOWN</p>
<p>CROWN P/N: 21566 NAME: FULTON OEM P/N: 2-20-000043 MODELS: A & H</p>	<p>CROWN P/N: 21672 NAME: GORDON - PIATT OEM P/N: 921000-3500 MODELS: GP-216C PILOT FOR 5 1/2" & 8" AIR TUBE</p>
<p>CROWN P/N: 21570 NAME: FULTON OEM P/N: 2-20-000054 MODELS: UNKNOWN</p>	<p>CROWN P/N: 21674 NAME: GORDON - PIATT OEM P/N: 921000-3510 MODELS: GP-216C PILOT FOR 12" AIR TUBE</p>
<p>CROWN P/N: 21571 NAME: FULTON OEM P/N: 2-20-000071 MODELS: UNKNOWN</p>	<p>CROWN P/N: 21677 NAME: GORDON - PIATT OEM P/N: 210059-0000 MODELS: UNKNOWN</p>
<p>CROWN P/N: 21573 NAME: FULTON OEM P/N: 2-20-000069 MODELS: UNKNOWN</p>	<p>CROWN P/N: 21681 NAME: GORDON - PIATT OEM P/N: 210049-0000-50-0000 MODELS: RL & RLS JACOBS</p>
<p>CROWN P/N: 21610 NAME: GENERAL ELECTRIC OEM P/N: K-5703668AB MODELS: UNKNOWN</p>	<p>CROWN P/N: 21683 NAME: GORDON - PIATT OEM P/N: UNKNOWN MODELS: F7T</p>
<p>CROWN P/N: 21615 NAME: GENERAL ELECTRIC OEM P/N: K-5703668AB MODELS: UNKNOWN</p>	<p>CROWN P/N: 21687 NAME: GORDON - PIATT OEM P/N: 280038 MODELS: 210036-1 FOR 4" AIR TUBE</p>
<p>CROWN P/N: 21617 NAME: GENERAL ELECTRIC OEM P/N: V-5700834AC MODELS: ASM</p>	<p>CROWN P/N: 21689 NAME: GORDON - PIATT OEM P/N: 210036-0003 MODELS: 210036-3/5 FOR 2" AIR TUBE</p>
<p>CROWN P/N: 21625 NAME: GENERAL ELECTRIC OEM P/N: K-5705183AD MODELS: UNKNOWN</p>	<p>CROWN P/N: 21690 NAME: GORDON - PIATT OEM P/N: 210036-0002 MODELS: 210036-2 FOR 8" AIR TUBE</p>

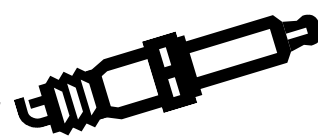




<p>CROWN P/N: 22013-01 NAME: INDUSTRIAL COMBUSTION OEM P/N: 873-108 MODELS: CB PROFIRE #1 & #2. D & MARC</p>	<p>CROWN P/N: 22083 NAME: IRON FIREMAN OEM P/N: 135161 & 135162 MODELS: UNKNOWN</p>
<p>CROWN P/N: 22015 NAME: INDUSTRIAL COMBUSTION OEM P/N: 873-501-2 MODELS: SC 55 & 65</p>	<p>CROWN P/N: 22087 NAME: IRON FIREMAN OEM P/N: 134259 & 34260 MODELS: UNKNOWN</p>
<p>CROWN P/N: 22016 NAME: INDUSTRIAL COMBUSTION OEM P/N: 873-76-2 MODELS: SC-55 FLAME ROD</p>	<p>CROWN P/N: 22088 NAME: IRON FIREMAN OEM P/N: 141833 & 141834 MODELS: UNKNOWN</p>
<p>CROWN P/N: 22017 NAME: INDUSTRIAL COMBUSTION OEM P/N: 873-508 MODELS: D SERIES 28-300, FG, FMG, FGL, & FMGL</p>	<p>CROWN P/N: 22090 NAME: IRON FIREMAN OEM P/N: 136159 & 136160 MODELS: UNKNOWN</p>
<p>CROWN P/N: 22020 NAME: INDUSTRIAL COMBUSTION OEM P/N: 873-0092-00 MODELS: FP & MP BURNERS</p>	<p>CROWN P/N: 22092 NAME: IRON FIREMAN OEM P/N: 149280-G01 MODELS: UNKNOWN</p>
<p>CROWN P/N: 22021 NAME: INDUSTRIAL COMBUSTION OEM P/N: 873-0087-00 MODELS: D & MARC BURNERS</p> <p>REPLACED BY 22013-01</p>	<p>CROWN P/N: 22095 NAME: IRON FIREMAN OEM P/N: 149280-G02 MODELS: UNKNOWN</p>
<p>CROWN P/N: 22025 NAME: INTERBURNER OEM P/N: 26950 MODELS: UNKNOWN</p>	<p>CROWN P/N: 22098 NAME: IRON FIREMAN OEM P/N: 149281-G01 MODELS: UNKNOWN</p>
<p>CROWN P/N: 22046 NAME: IRON FIREMAN OEM P/N: 149280-G03 MODELS: UNKNOWN</p>	<p>CROWN P/N: 22105 NAME: IRON FIREMAN OEM P/N: 137555 MODELS: AO 142059</p>
<p>CROWN P/N: 22070 NAME: IRON FIREMAN OEM P/N: UNKNOWN MODELS: UNKNOWN</p>	<p>CROWN P/N: 22115 NAME: IRON FIREMAN OEM P/N: 137161 MODELS: UNKNOWN</p>

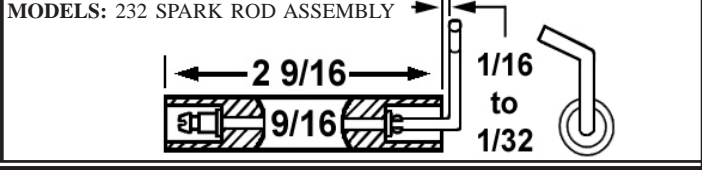
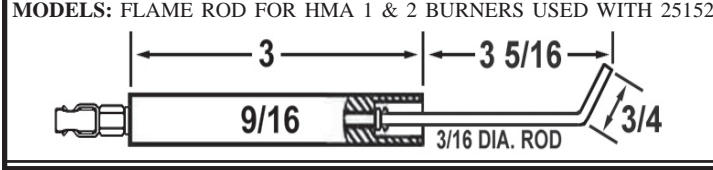
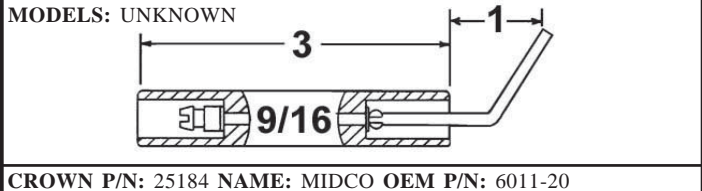
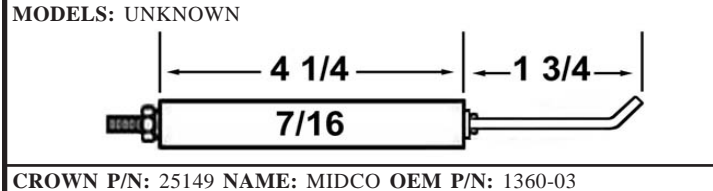
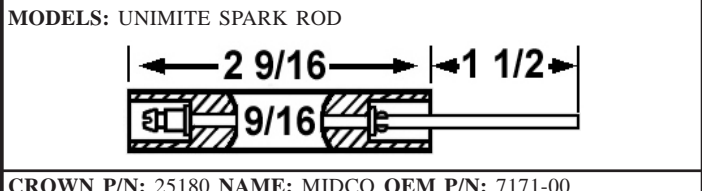
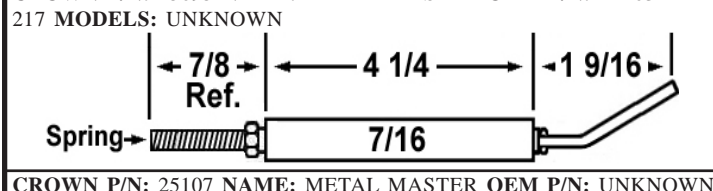
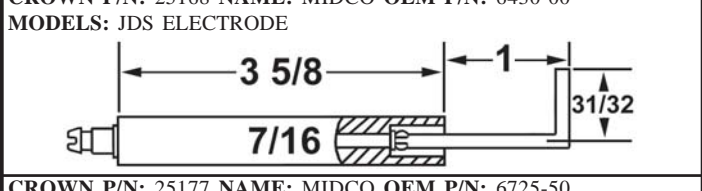
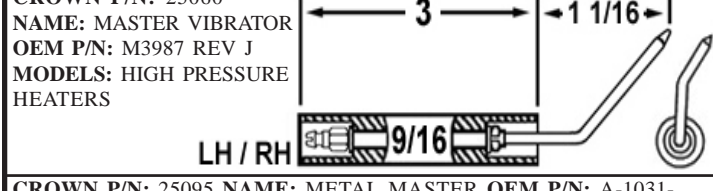
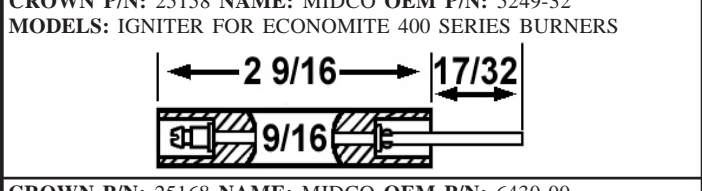
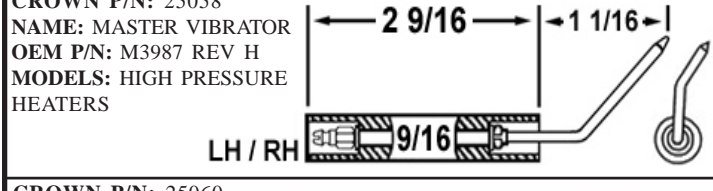
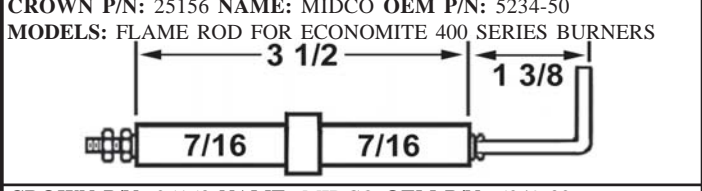
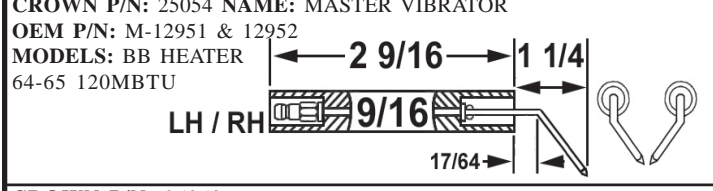
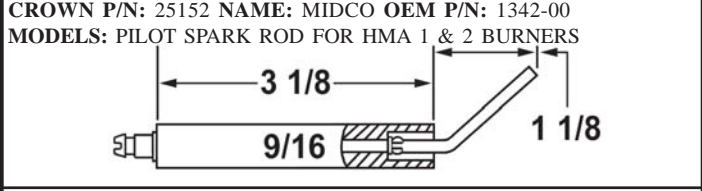
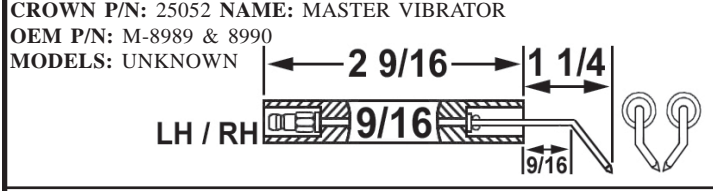
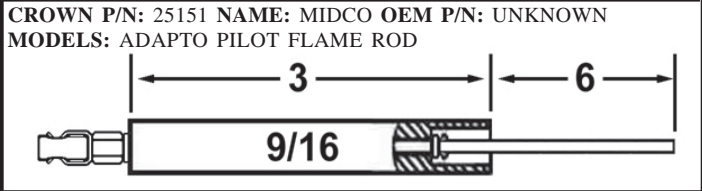
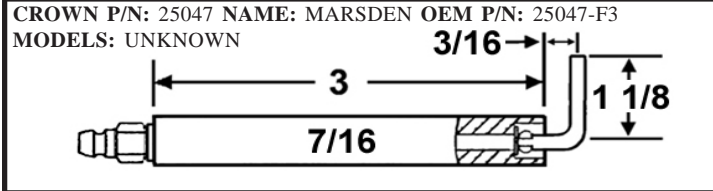
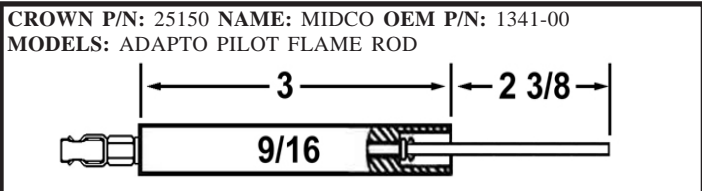
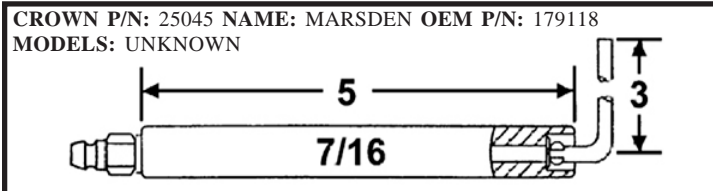
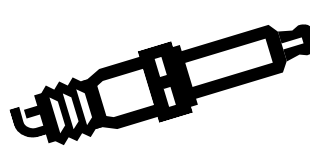


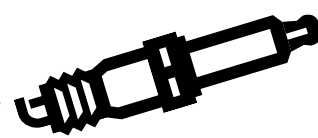
<p>CROWN P/N: 22144 NAME: IRON FIREMAN OEM P/N: 144437 MODELS: UNKNOWN</p>	<p>CROWN P/N: 22270 NAME: STONE JOHNSON OEM P/N: 3A6-12A MODELS: UNKNOWN</p>
<p>CROWN P/N: 22146 NAME: IRON FIREMAN OEM P/N: 142766 MODELS: UNKNOWN</p>	<p>CROWN P/N: 22271 NAME: ACE OEM P/N: 3B12-10 MODELS: UNKNOWN</p>
<p>CROWN P/N: 22148 NAME: IRON FIREMAN OEM P/N: 149439-G01 MODELS: UNKNOWN</p>	<p>CROWN P/N: 22300 NAME: KEWANEE OEM P/N: 213700100103 MODELS: GAS PILOT</p>
<p>CROWN P/N: 22185 NAME: IRON FIREMAN OEM P/N: 149264-G01 MODELS: UNKNOWN</p>	<p>CROWN P/N: 22301 NAME: KEWANEE OEM P/N: 213760100101 MODELS: GAS PILOT</p>
<p>CROWN P/N: 22197 NAME: IOWA MFG. OEM P/N: 45652-505-24 MODELS: UNKNOWN</p>	<p>CROWN P/N: 22302 NAME: KEWANEE OEM P/N: 21370100202 MODELS: OIL PILOT</p>
<p>CROWN P/N: 22232 NAME: S.T. JOHNSON OEM P/N: A-4447 MODELS: UNKNOWN</p>	<p>CROWN P/N: 22305 NAME: KEWANEE OEM P/N: 213700100102 MODELS: GAS PILOT</p>
<p>CROWN P/N: 22234 NAME: S.T. JOHNSON OEM P/N: UNKNOWN MODELS: UNKNOWN</p>	<p>CROWN P/N: 22308 NAME: KEWANEE OEM P/N: 231700000102 MODELS: GAS PILOT. REAR CBD 1/4" - TIP CBD 7/16".</p>
<p>CROWN P/N: 22240 NAME: S.T. JOHNSON OEM P/N: A-4790 MODELS: BH ALL SIZES</p>	<p>CROWN P/N: 22310 NAME: KEWANEE OEM P/N: 213760100301 MODELS: OIL PILOT</p>
<p>CROWN P/N: 22260 NAME: JOHNSON GAS OEM P/N: SA-218-32 MODELS: FLAME ROD</p>	<p>CROWN P/N: 22315 NAME: KEWANEE OEM P/N: 213700100301 MODELS: GAS PILOT</p>



Section 1: Electrodes

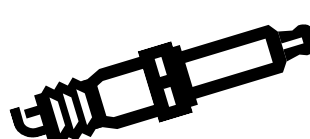
<p>CROWN P/N: 22316 NAME: KEWANEE OEM P/N: 213790070901 MODELS: 2 TO 5 BURNER</p>	<p>CROWN P/N: 22428 NAME: LENNOX OEM P/N: 51A9401 & 301 MODELS: UNKNOWN</p>
<p>CROWN P/N: 22317 NAME: KEWANEE OEM P/N: 213790070902 MODELS: 6 & 7 BURNER</p>	<p>CROWN P/N: 22429 NAME: LENNOX OEM P/N: P-8-5798 MODELS: GAS BUSS ROD</p>
<p>CROWN P/N: 22320 NAME: KEWANEE OEM P/N: 950525-2 MODELS: UNKNOWN</p>	<p>CROWN P/N: 22434 NAME: LENNOX OEM P/N: 77C8301 MODELS: SENSOR</p>
<p>CROWN P/N: 22326 NAME: KEWANEE OEM P/N: 309200000002 MODELS: UNKNOWN</p>	<p>CROWN P/N: 22435 NAME: LENNOX OEM P/N: 77C8201 MODELS: IGNITER</p>
<p>CROWN P/N: 22407 NAME: LANDA OEM P/N: 7-9005 MODELS: UNKNOWN</p>	<p>CROWN P/N: 22463 NAME: LOCHINVAR OEM P/N: RLY-2705 MODELS: POWER FIN - .250 X .031 MALE QUICK CONNECT TAB.</p>
<p>CROWN P/N: 22408 NAME: LANAIR OEM P/N: 8737 & 8738 MODELS: UNKNOWN</p>	<p>CROWN P/N: 22480 NAME: LYNN OEM P/N: UNKNOWN MODELS: UNKNOWN</p>
<p>CROWN P/N: 22409 NAME: LANAIR OEM P/N: 8945 & 8944 MODELS: UNKNOWN</p>	<p>CROWN P/N: 25005 NAME: McQUAY OEM P/N: 357410-A-00 MODELS: UNKNOWN</p>
<p>CROWN P/N: 22426 NAME: LENNOX OEM P/N: P-8-7038 MODELS: UNKNOWN</p>	<p>CROWN P/N: 25006 NAME: McQUAY OEM P/N: 365577-A-00 MODELS: UNKNOWN</p>
<p>CROWN P/N: 22427 NAME: LENNOX OEM P/N: P-8-5784 MODELS: UNKNOWN</p>	<p>CROWN P/N: 25025 NAME: MALSARY OEM P/N: 821669 MODELS: UNKNOWN</p>



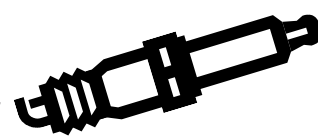


Section 1: Electrodes

<p>CROWN P/N: 25190 NAME: MIDCO OEM P/N: 3713-71 MODELS: NHL PILOT</p>	<p>CROWN P/N: 25218 NAME: M. HONEYWELL OEM P/N: UNKNOWN MODELS: UNKNOWN</p>
<p>CROWN P/N: 25193 OEM NAME: MIDCO OEM P/N: 7124-40 MODELS: AG FLAME ROD</p>	<p>CROWN P/N: 25220 NAME: M. HONEYWELL OEM P/N: UNKNOWN MODELS: UNKNOWN</p>
<p>CROWN P/N: 35161 OEM NAME: MIDCO OEM P/N: 6457-00 MODELS: J82 / 83-DS</p>	<p>CROWN P/N: 25221 NAME: M. HONEYWELL OEM P/N: UNKNOWN MODELS: UNKNOWN</p> <p>P/N: 55221 TERMINAL CONNECTOR INCLUDED</p>
<p>CROWN P/N: 35192 NAME: MIDCO OEM P/N: 6717-00 MODELS: UNKNOWN</p>	<p>CROWN P/N: 25222 NAME: M. HONEYWELL OEM P/N: UNKNOWN MODELS: UNKNOWN</p>
<p>CROWN P/N: 35199 NAME: MIDCO OEM P/N: 6418-00 MODELS: J82 / 83-DS</p>	<p>CROWN P/N: 25226 NAME: M. HONEYWELL OEM P/N: UNKNOWN MODELS: ADAPTO PILOT SPARK ROD</p>
<p>CROWN P/N: 25210 NAME: MILLER OEM P/N: E-1622-B MODELS: USED ON H-3512-A</p>	<p>CROWN P/N: 25212 NAME: MILLER OEM P/N: 308-0550 MODELS: FS MODEL</p>
<p>CROWN P/N: 25215 NAME: M. HONEYWELL OEM P/N: UNKNOWN MODELS: UNKNOWN</p>	<p>CROWN P/N: 25230 NAME: M. HONEYWELL OEM P/N: UNKNOWN MODELS: UNKNOWN</p>
<p>CROWN P/N: 25216 NAME: M. HONEYWELL OEM P/N: UNKNOWN MODELS: UNKNOWN</p>	<p>CROWN P/N: 25412 NAME: NATIONAL AIROIL OEM P/N: UNKNOWN MODELS: UNKNOWN</p>

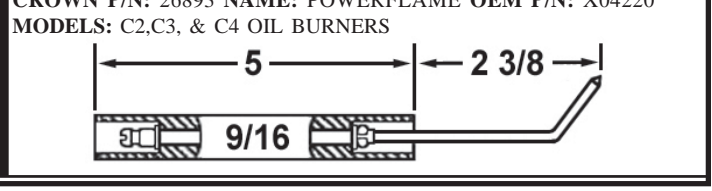
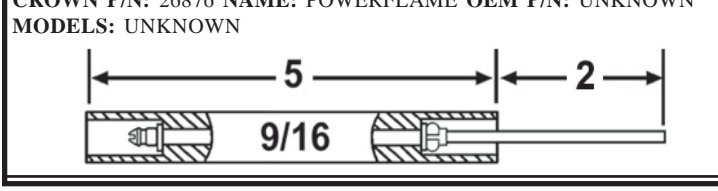
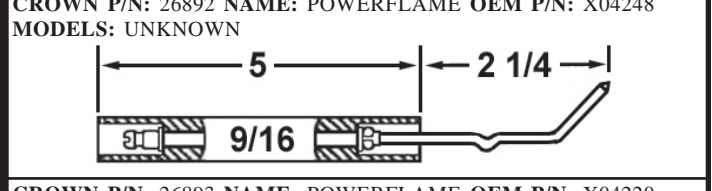
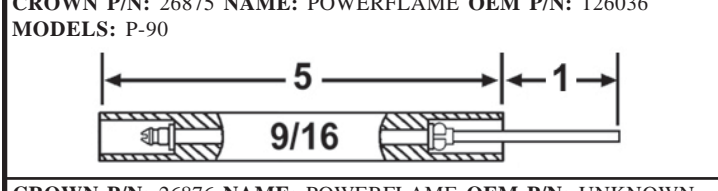
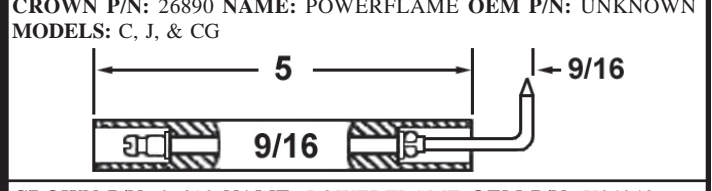
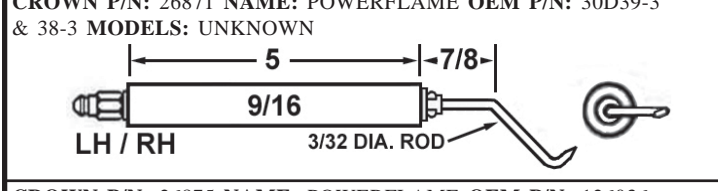
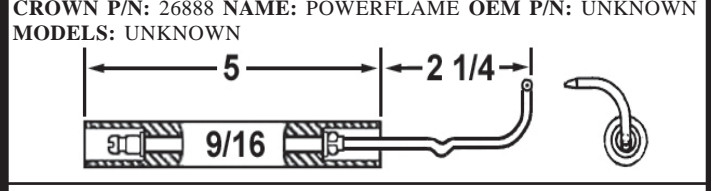
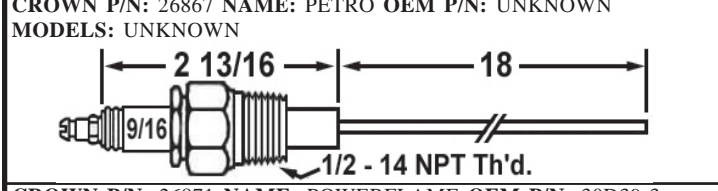
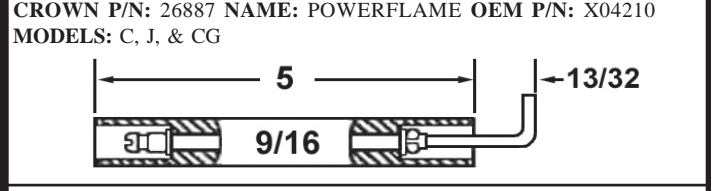
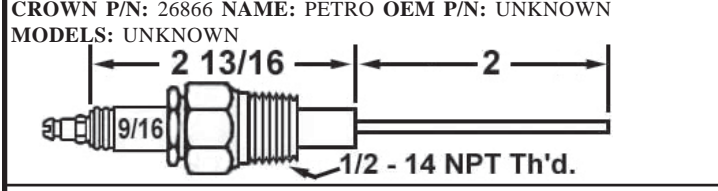
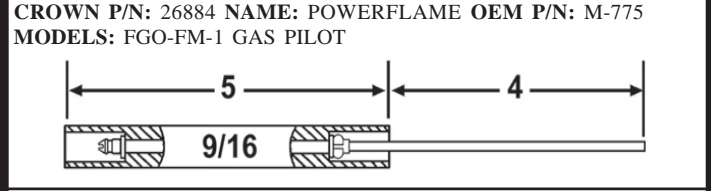
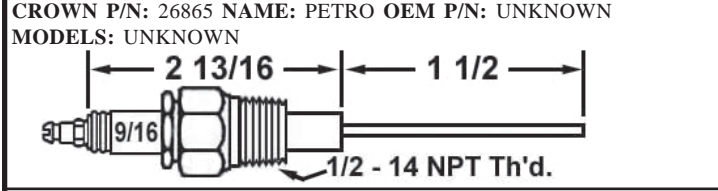
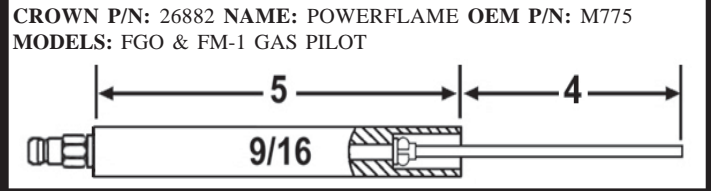
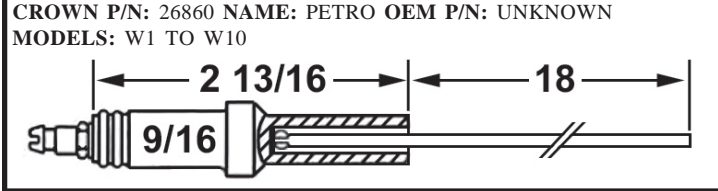
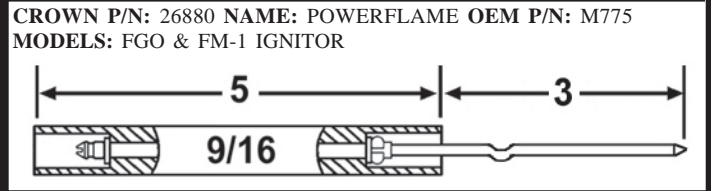
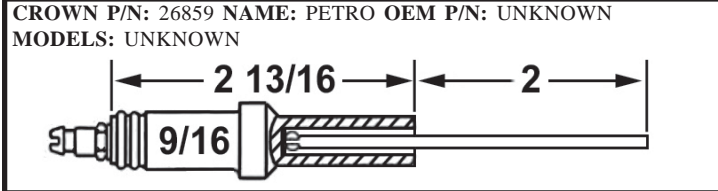
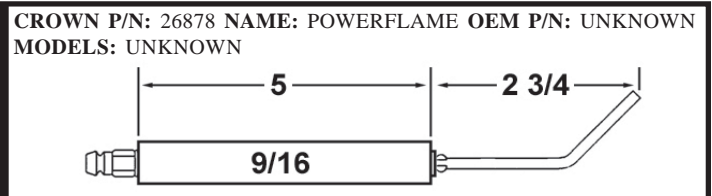
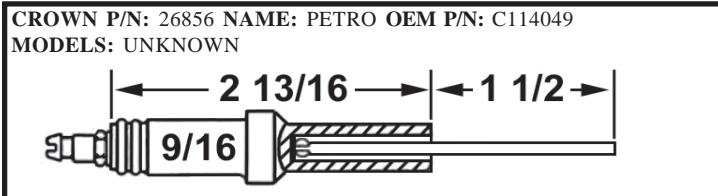
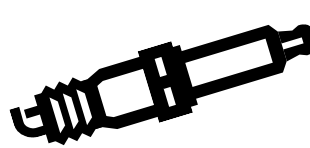


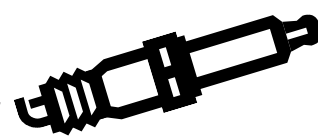
<p>CROWN P/N: 25420 NAME: NATIONAL RADIATOR OEM P/N: PD-6097-X1 MODELS: NB2, 2A, 2B, 2D, 2E AND 2K</p> <p>9/16</p>	<p>CROWN P/N: 25459 OEM NAME: NU-WAY OEM P/N: 308-0552 & 0551 MODELS: UNKNOWN 1" BB LENGTH</p> <p>7/16</p>
<p>CROWN P/N: 25430 NAME: NU-WAY OEM P/N: UNKNOWN MODELS: UNKNOWN</p> <p>9/16</p>	<p>CROWN P/N: 25465 NAME: NU-WAY OEM P/N: 336A MODELS: UNKNOWN</p> <p>7/16</p>
<p>CROWN P/N: 25432 NAME: NU-WAY OEM P/N: UNKNOWN MODELS: UNKNOWN</p> <p>7/16</p>	<p>CROWN P/N: 25470 NAME: NU-WAY OEM P/N: 038-0250 MODELS: UNKNOWN</p> <p>LH / RH 7/16</p>
<p>CROWN P/N: 25434 NAME: NU-WAY OEM P/N: 308-0184 MODELS: 7000A-116 & 117</p> <p>7/16</p>	<p>CROWN P/N: 25473 NAME: NU-WAY OEM P/N: 038-0614 MODELS: UNKNOWN</p> <p>LH / RH 1/2</p>
<p>CROWN P/N: 25435 NAME: NU-WAY OEM P/N: UNKNOWN MODELS: UNKNOWN</p> <p>LH / RH 7/16</p>	<p>CROWN P/N: 25476 NAME: NU-WAY OEM P/N: 038-0293 MODELS: UNKNOWN</p> <p>1/2</p>
<p>CROWN P/N: 25438 NAME: NU-WAY OEM P/N: UNKNOWN MODELS: UNKNOWN</p> <p>7/16</p>	<p>CROWN P/N: 25478 NAME: NU-WAY OEM P/N: 308-0456 & 04567 MODELS: UNKNOWN</p> <p>7/16</p>
<p>CROWN P/N: 25440 NAME: NU-WAY OEM P/N: UNKNOWN MODELS: UNKNOWN</p> <p>7/16</p>	<p>CROWN P/N: 25615 NAME: OIL EQUIPMENT LABORATORY OEM P/N: UNKNOWN MODELS: UNKNOWN</p> <p>9/16</p>
<p>CROWN P/N: 25449 NAME: NU-WAY OEM P/N: UNKNOWN MODELS: UNKNOWN</p> <p>1/2</p>	<p>CROWN P/N: 25658 NAME: ORR & SEMBOWER OEM P/N: UNKNOWN MODELS: UNKNOWN</p> <p>9/16</p>
<p>CROWN P/N: 25454 OEM NAME: NU-WAY OEM P/N: 308-0550 MODELS: UNKNOWN</p> <p>7/16</p>	<p>CROWN P/N: 25662 NAME: ORR & SEMBOWER OEM P/N: 324901019-1 MODELS: POWER MASTER BURNERS</p> <p>9/16</p>



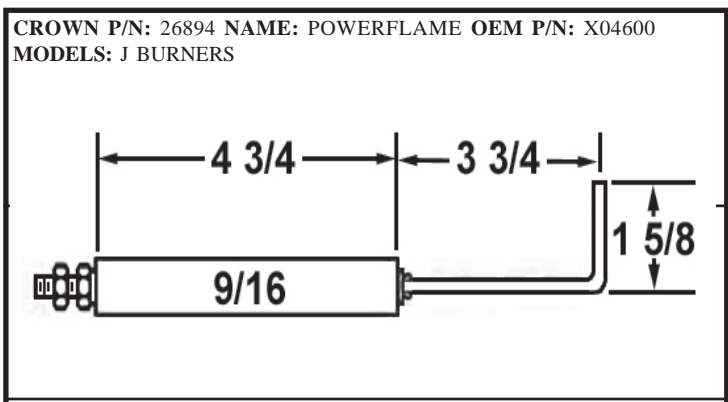
Section 1: Electrodes

<p>CROWN P/N: 26000 NAME: MILLER (L.S.I.) OEM P/N: 102823000 MODELS: UNKNOWN</p>	<p>CROWN P/N: 26782 NAME: PVI INDUSTRIES OEM P/N: 08381 MODELS: ALL GAS</p>
<p>CROWN P/N: 26005 NAME: MILLER (L.S.I.) OEM P/N: 102835000 MODELS: UNKNOWN</p>	<p>CROWN P/N: 26785 NAME: PVI INDUSTRIES OEM P/N: 71906 MODELS: ALL GAS</p>
<p>CROWN P/N: 26010 NAME: MILLER (L.S.I.) OEM P/N: 102836000 MODELS: UNKNOWN</p>	<p>CROWN P/N: 26796 NAME: PATTERSON-KELLY OEM P/N: B90549/86-2450-0820 MODELS: N-700 THRU N-2000</p>
<p>CROWN P/N: 26020 NAME: MILLER (L.S.I.) OEM P/N: 102839000 MODELS: UNKNOWN</p>	<p>CROWN P/N: 26798 NAME: PATTERSON-KELLY OEM P/N: B89399/86-7100-0230 MODELS: N-700 THRU N-2000</p>
<p>CROWN P/N: 26025 NAME: MILLER (L.S.I.) OEM P/N: 102840000 MODELS: UNKNOWN</p>	<p>CROWN P/N: 26805 NAME: PEABODY ENGINEERING OEM P/N: E-38646-F MODELS: UNKNOWN</p>
<p>CROWN P/N: 26030 NAME: MILLER (L.S.I.) OEM P/N: 102841000 MODELS: UNKNOWN</p>	<p>CROWN P/N: 26808 NAME: PEABODY ENGINEERING OEM P/N: E-38647-D MODELS: UNKNOWN</p>
<p>CROWN P/N: 26035 NAME: MILLER (L.S.I.) OEM P/N: 104165000 MODELS: UNKNOWN</p>	<p>CROWN P/N: 26840 NAME: PETRO OEM P/N: UNKNOWN MODELS: UNKNOWN</p>
<p>CROWN P/N: 26040 NAME: MILLER (L.S.I.) OEM P/N: 104003000 MODELS: UNKNOWN</p>	<p>CROWN P/N: 26848 NAME: PETRO OEM P/N: UNKNOWN MODELS: UNKNOWN</p>
<p>CROWN P/N: 26780 NAME: PVI INDUSTRIES OEM P/N: 71907 MODELS: ALL GAS</p>	<p>CROWN P/N: 26850 NAME: PETRO OEM P/N: UNKNOWN MODELS: UNKNOWN</p>



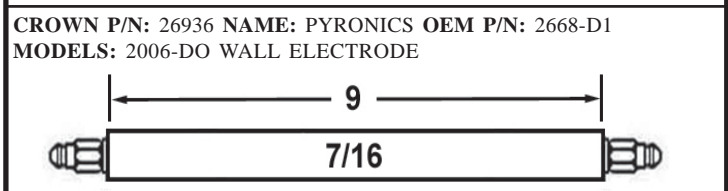
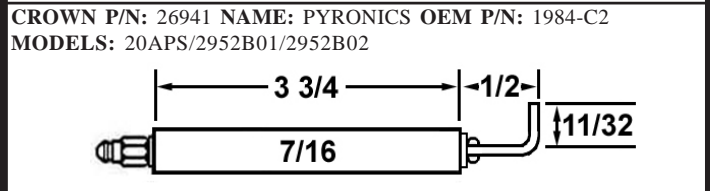
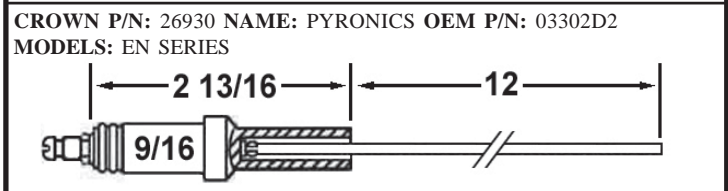
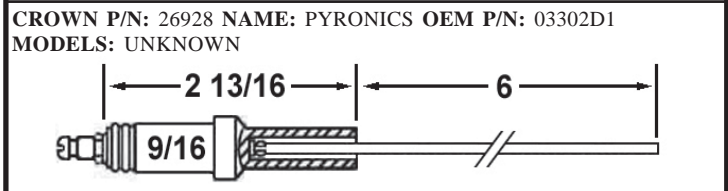
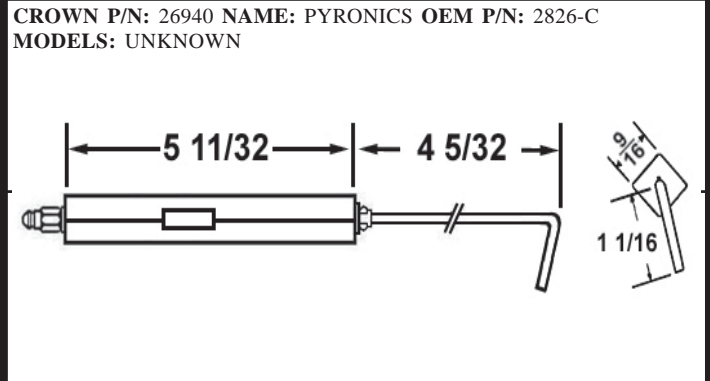
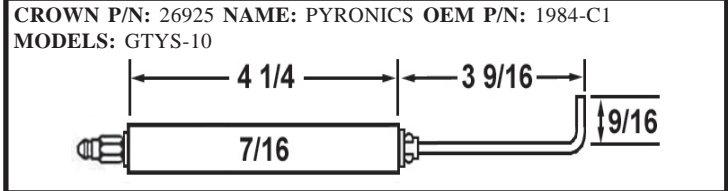
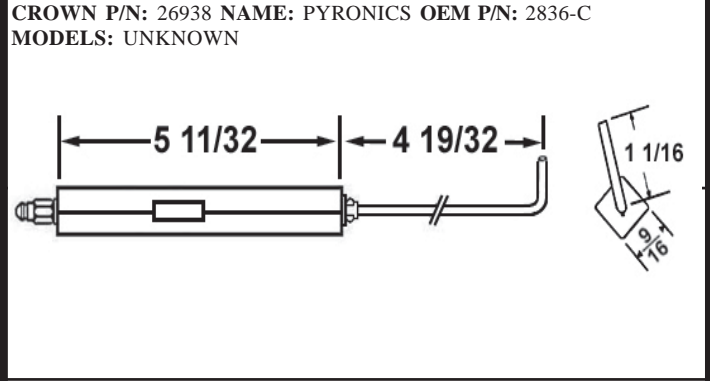
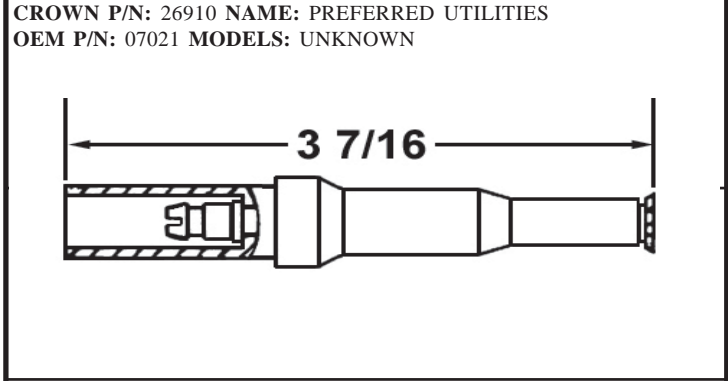


Section 1: Electrodes



THIS SPACE LEFT BLANK INTENTIONALLY

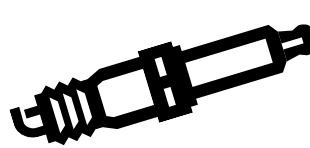
THIS SPACE LEFT BLANK INTENTIONALLY



THIS SPACE LEFT BLANK INTENTIONALLY

THIS SPACE LEFT BLANK INTENTIONALLY

THIS SPACE LEFT BLANK INTENTIONALLY



CROWN P/N: 26942 **NAME:** PYRONICS **OEM P/N:** 1984-C3
MODELS: 2952B01 & 02

CROWN P/N: 27170R
NAME: RAY OIL BURNER
OEM P/N: 50485
MODELS: PG, PGF, & MODEL 55

CROWN P/N: 27005 **NAME:** QUIET AUTOMATIC
OEM P/N: UNKNOWN **MODELS:** UNKNOWN

CROWN P/N: 27172R
NAME: RAY OIL BURNER
OEM P/N: 51700
MODELS: P BURNERS

CROWN P/N: 27030 **NAME:** QUIET AUTOMATIC
OEM P/N: UNKNOWN **MODELS:** UNKNOWN

CROWN P/N: 27250 **NAME:** ROSOEE **OEM P/N:** UNKNOWN
MODELS: UNKNOWN

CROWN P/N: 27040 **NAME:** QUIET HEAT **OEM P/N:** E60601
MODELS: C100, 215, 265, 335, & D215, 319

CROWN P/N: 27321 **NAME:** SHELL HEAD
OEM P/N: UNKNOWN **MODELS:** UNKNOWN

CROWN P/N: 27126 **NAME:** RAY OIL BURNER
OEM P/N: 8214-1 **MODELS:** UNKNOWN

CROWN P/N: 27324 **NAME:** SHELL HEAD
OEM P/N: UNKNOWN **MODELS:** UNKNOWN

CROWN P/N: 27132 **NAME:** RAY OIL BURNER
OEM P/N: 8234-1 **MODELS:** 0-8 BOTTLED GAS

CROWN P/N: 27340 **NAME:** SHELL HEAD
OEM P/N: UNKNOWN **MODELS:** UNKNOWN

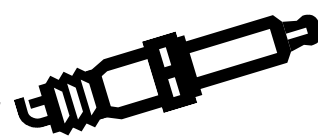
CROWN P/N: 27140 **NAME:** RAY OIL BURNER
OEM P/N: 51276-1 **MODELS:** JPE BURNER

CROWN P/N: 27342 **NAME:** SHELL HEAD
OEM P/N: UNKNOWN **MODELS:** UNKNOWN

CROWN P/N: 27145 **NAME:** RAY OIL BURNER
OEM P/N: 51703-1
MODELS: P BURNER

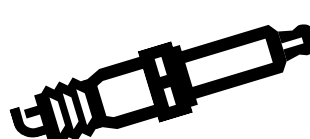
CROWN P/N: 27353 **NAME:** SHENANDOAH
OEM P/N: 10155320 & 40 **MODELS:** WO-F

CROWN P/N: 27166 **NAME:** RAY OIL BURNER **OEM P/N:** 54110
MODELS: AE 350-700

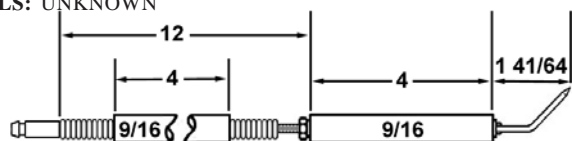


Section 1: Electrodes

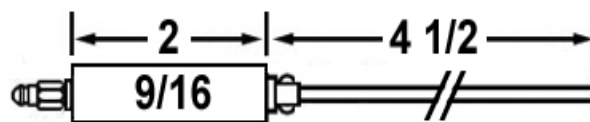
<p>CROWN P/N: 27380 NAME: SILENT GLOW OEM P/N: 36200 MODELS: UNKNOWN</p>	<p>CROWN P/N: 27493 NAME: SUNRAY OEM P/N: UNKNOWN MODELS: UNKNOWN</p>
<p>CROWN P/N: 27384 NAME: SILENT GLOW OEM P/N: UNKNOWN MODELS: UNKNOWN</p>	<p>CROWN P/N: 27498 NAME: SUNRAY OEM P/N: E40351 MODELS: HC, PHC, R, MR, PR / PMR 863 & 9833</p>
<p>CROWN P/N: 27386 NAME: SILENT GLOW OEM P/N: UNKNOWN MODELS: UNKNOWN</p>	<p>CROWN P/N: 27500 NAME: SUNRAY OEM P/N: E40393 MODELS: DC, GC, LC, GE, & PGC</p>
<p>CROWN P/N: 27388 NAME: SILENT GLOW OEM P/N: UNKNOWN MODELS: UNKNOWN</p>	<p>CROWN P/N: 27516 NAME: SUNRAY OEM P/N: E41211 MODELS: SHELL CONVERSION KIT</p>
<p>CROWN P/N: 27451 NAME: STEWART WARNER OEM P/N: 735062 MODELS: UNKNOWN</p>	<p>CROWN P/N: 27518 NAME: SUNRAY OEM P/N: UNKNOWN MODELS: UNKNOWN</p>
<p>CROWN P/N: 27452 NAME: STEWART WARNER OEM P/N: 6A-170054 MODELS: UNKNOWN</p>	<p>CROWN P/N: 27520 NAME: SUNRAY OEM P/N: UNKNOWN MODELS: UNKNOWN</p>
<p>CROWN P/N: 27480 NAME: SUNRAY OEM P/N: UNKNOWN MODELS: UNKNOWN</p>	<p>CROWN P/N: 27522 NAME: SUNRAY OEM P/N: EA46142-2 & 3 MODELS: OE-1 BURNER</p>
<p>CROWN P/N: 27490 NAME: SUNRAY OEM P/N: UNKNOWN MODELS: UNKNOWN</p>	<p>CROWN P/N: 27534 NAME: SUPERIOR BOILER OEM P/N: UNKNOWN MODELS: UNKNOWN</p>
<p>CROWN P/N: 27492 NAME: SUNRAY OEM P/N: E40491 MODELS: ICA, D2, D3 & G</p>	<p>CROWN P/N: 27536 NAME: SUPERIOR BOILER OEM P/N: UNKNOWN MODELS: UNKNOWN</p>



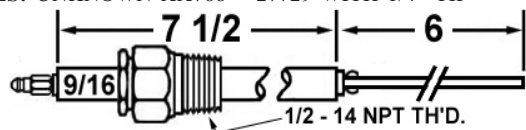
CROWN P/N: 27700 **NAME:** THARRINGTON **OEM P/N:** SA12823
MODELS: UNKNOWN



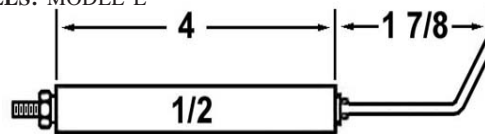
CROWN P/N: 27891 **NAME:** VAN DAM **OEM P/N:** UNKNOWN
MODELS: UNKNOWN



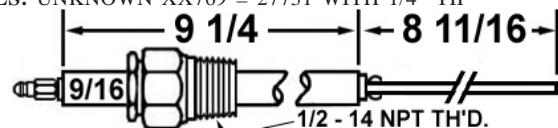
CROWN P/N: 27729 **NAME:** THOMAS M. **OEM P/N:** UNKNOWN
MODELS: UNKNOWN XX768 = 27729 WITH 1/4" TIP



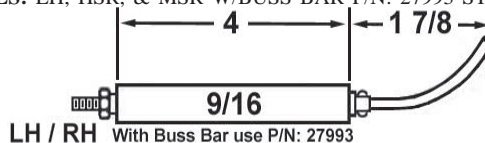
CROWN P/N: 28020 **NAME:** WAYNE **OEM P/N:** 12353A
MODELS: MODEL E



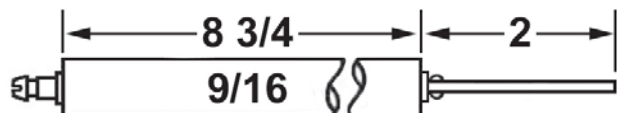
CROWN P/N: 27731 **NAME:** THOMAS M. **OEM P/N:** UNKNOWN
MODELS: UNKNOWN XX769 = 27731 WITH 1/4" TIP



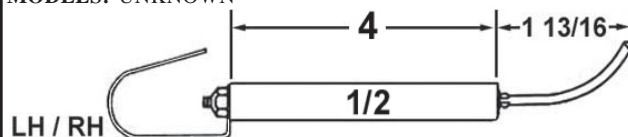
CROWN P/N: 28022 **NAME:** WAYNE **OEM P/N:** UNKNOWN
MODELS: EH, HSR, & MSR W/BUSS BAR P/N: 27993 STEM P/N:12550



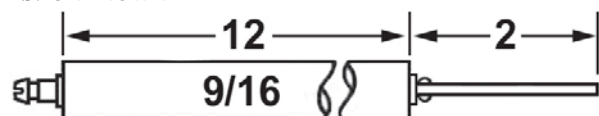
CROWN P/N: 27783 **NAME:** TODD **OEM P/N:** UNKNOWN
MODELS: UNKNOWN



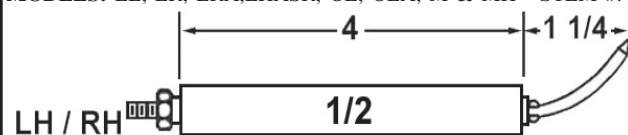
CROWN P/N: 28023 **NAME:** WAYNE **OEM P/N:** 102831001 & 1000
MODELS: UNKNOWN



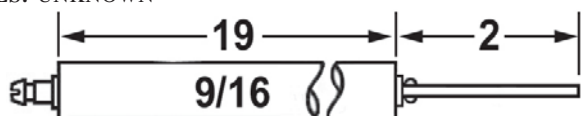
CROWN P/N: 27785 **NAME:** TODD **OEM P/N:** UNKNOWN
MODELS: UNKNOWN



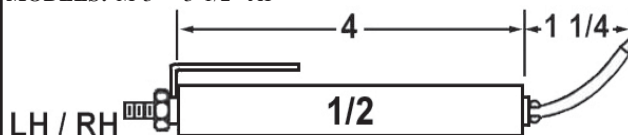
CROWN P/N: 28024 **NAME:** WAYNE **OEM P/N:** UNKNOWN
MODELS: EE, ER, ERA,EHASR, OE, OEA, M & MH - STEM #: 13163



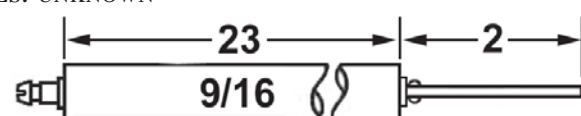
CROWN P/N: 27788 **NAME:** TODD **OEM P/N:** UNKNOWN
MODELS: UNKNOWN



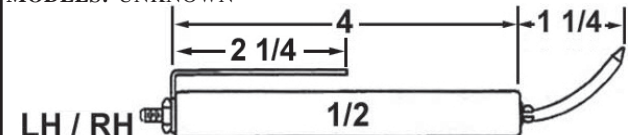
CROWN P/N: 28026 **NAME:** WAYNE **OEM P/N:** 13452 & 51
MODELS: M-3' - 3 1/2" AT



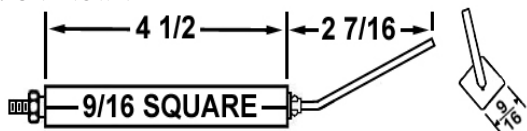
CROWN P/N: 27789 **NAME:** TODD **OEM P/N:** UNKNOWN
MODELS: UNKNOWN



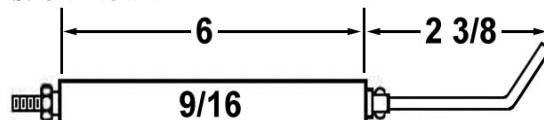
CROWN P/N: 28027 **NAME:** WAYNE **OEM P/N:** UNKNOWN
MODELS: UNKNOWN



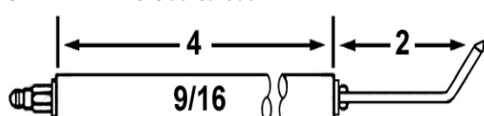
CROWN P/N: 27825 **NAME:** TORRID HEAT **OEM P/N:** J-6018
MODELS: UNKNOWN



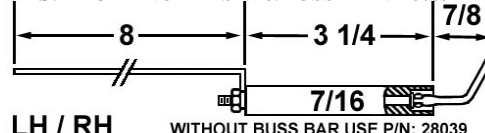
CROWN P/N: 28028 **NAME:** WAYNE **OEM P/N:** 12162-A
MODELS: UNKNOWN

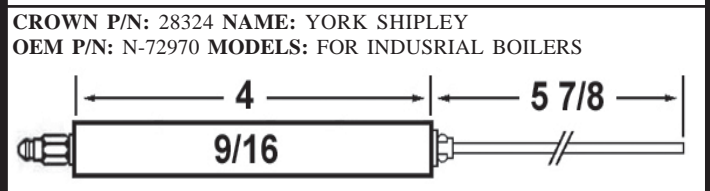
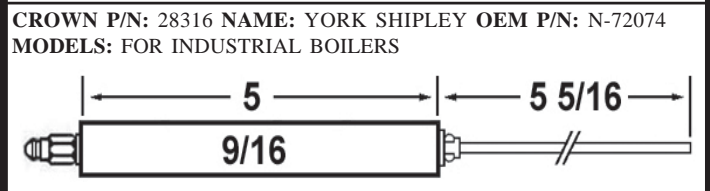
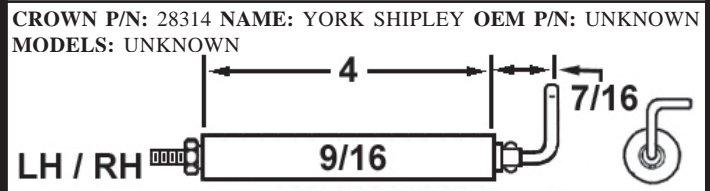
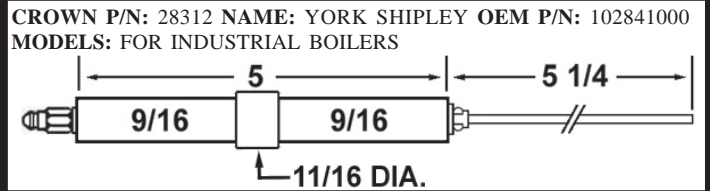
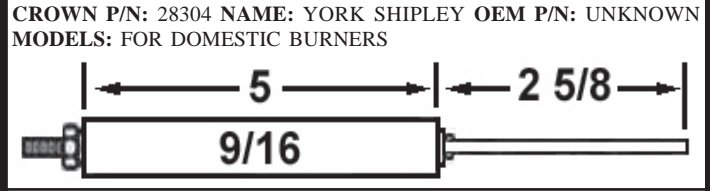
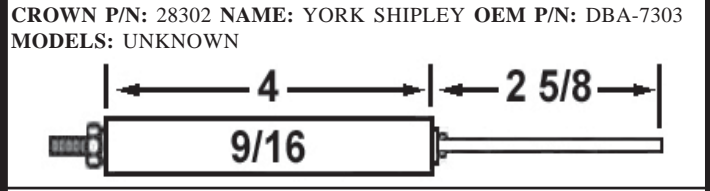
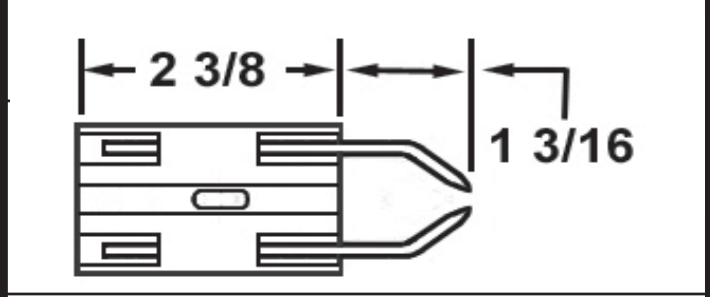
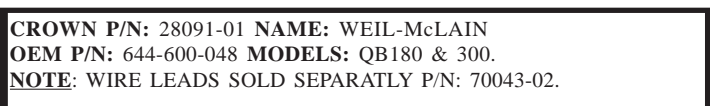
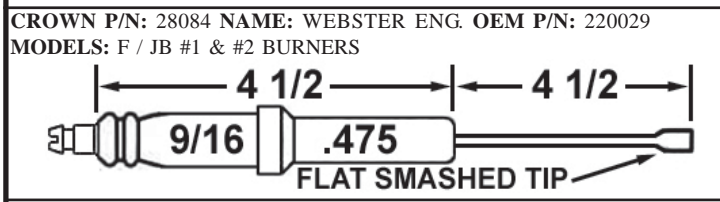
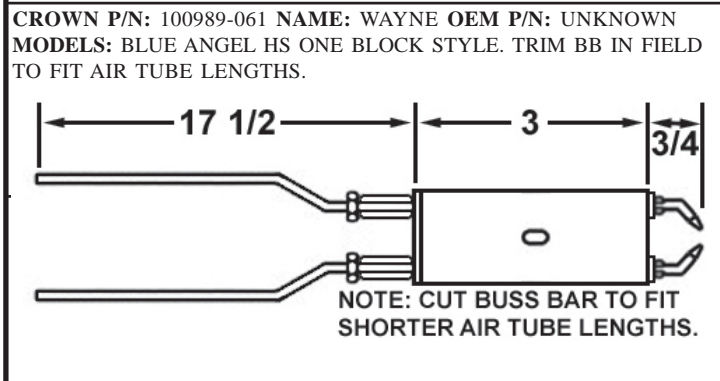
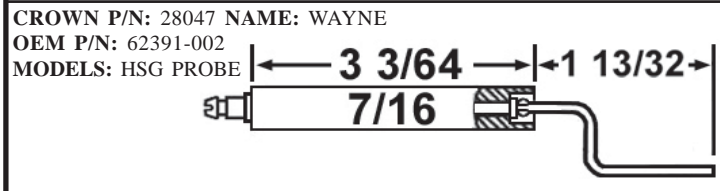
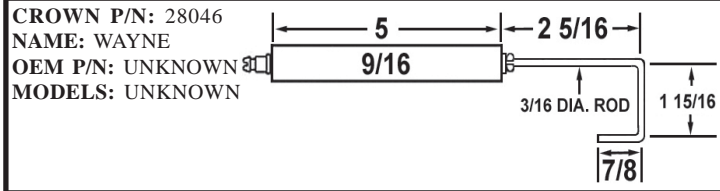
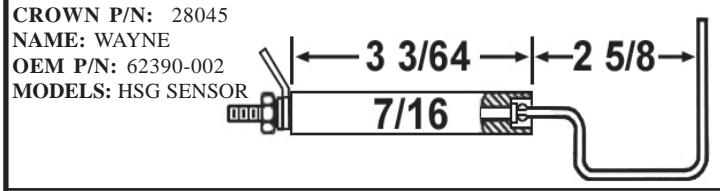
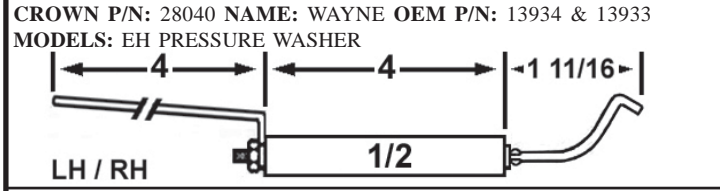
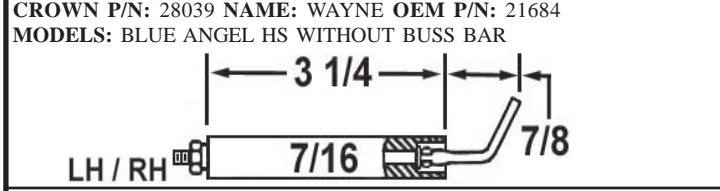
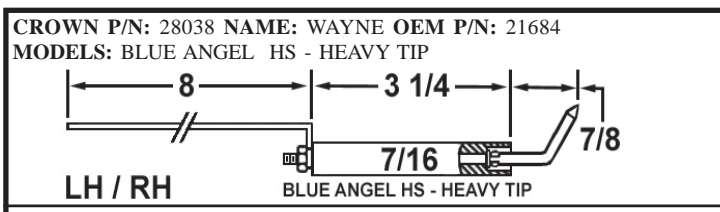
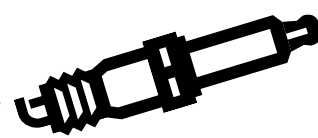


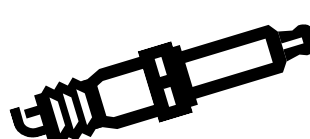
CROWN P/N: 27870 **NAME:** UNION CHILL **OEM P/N:** DFA-300
MODELS: ULTRAMATIC 300 & 600



CROWN P/N: 28037 **NAME:** WAYNE **OEM P/N:** 21684
MODELS: BLUE ANGEL HS W/BUSS BAR: 28039



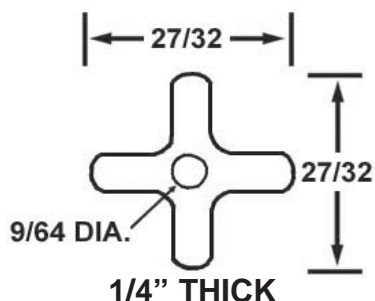




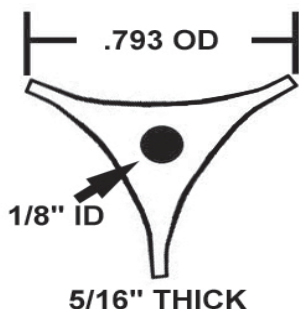
CROWN P/N: 28332 NAME: YORK SHIPLEY OEM P/N: 138642
 MODELS: FV BURNERS



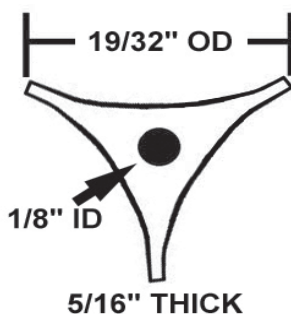
CROWN P/N: 17412 NAME: SCULLY SPIDER OEM P/N: UNKNOWN
 MODELS: UNKNOWN



CROWN P/N: 17413 NAME: SPIDER INSULATOR
 OEM P/N: UNKNOWN MODELS: UNKNOWN



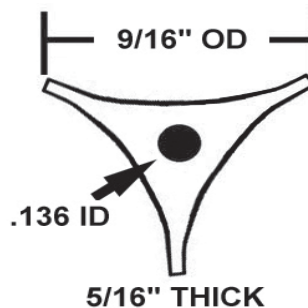
CROWN P/N: 17415 NAME: SPIDER INSULATOR
 OEM P/N: UNKNOWN MODELS: UNKNOWN



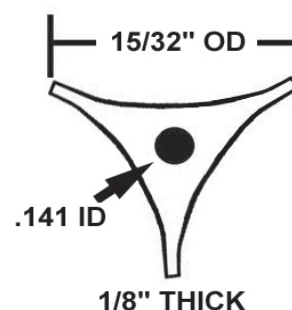
CROWN P/N: 17794 NAME: SPIDER INSULATOR
 OEM P/N: UNKNOWN MODELS: UNKNOWN



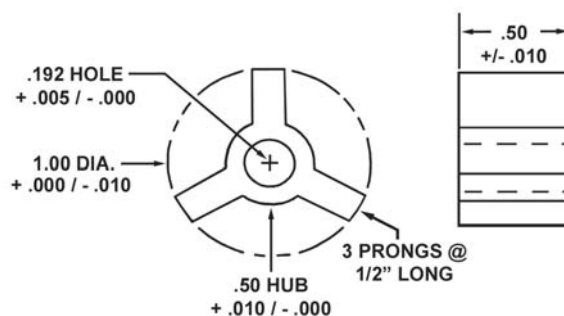
CROWN P/N: 17795 NAME: SPIDER INSULATOR
 OEM P/N: UNKNOWN MODELS: UNKNOWN



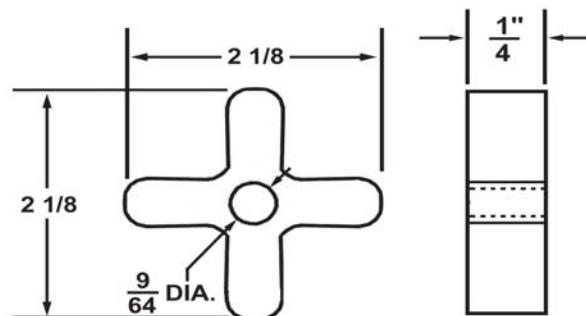
CROWN P/N: 17797 NAME: SPIDER INSULATOR
 OEM P/N: UNKNOWN MODELS: UNKNOWN



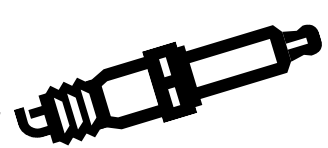
CROWN P/N: 17798 NAME: SPIDER INSULATOR - UNGLAZED
 OEM P/N: UNKNOWN MODELS: UNKNOWN



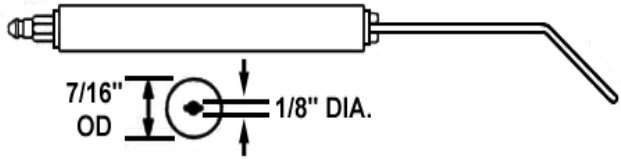
CROWN P/N: 17890 NAME: SPIDER INSULATOR - UNGLAZED
 OEM P/N: UNKNOWN MODELS: UNKNOWN



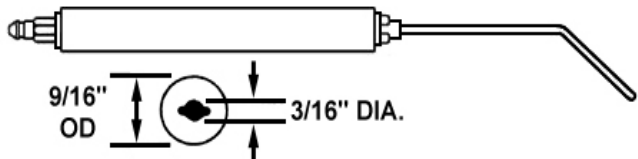
THIS SPACE LEFT BLANK INTENTIONALLY



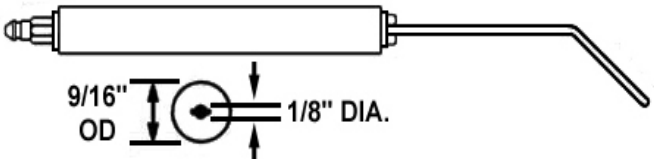
Section 1: Electrodes



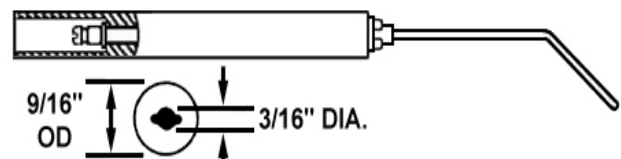
ELECTRODE PART NUMBER	INSULATOR ONLY P/N	LENGTH OF INSULATOR	TYPE OF TIP
01033	11033	3 3/4"	
01040	11040	4"	
01041	11041	4 1/4"	HEAVY
01042	11042	4 1/2"	1/8"
01043	11043	4 3/4"	DIA.
01050	11050	5"	
01060	11060	6"	



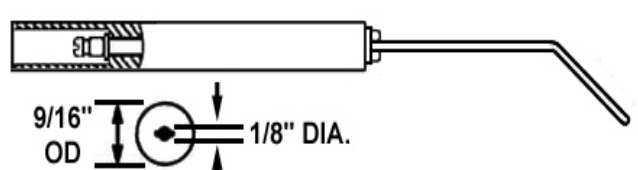
ELECTRODE PART NUMBER	INSULATOR ONLY P/N	LENGTH OF INSULATOR	TYPE OF TIP
05030	15030	3"	
05033	15033	3 3/4"	
05040	15040	4"	LIGHT
05042	15042	4 1/2"	3/32"
05050	15050	5"	DIA.
05052	15052	5 1/2"	
05060	15060	6"	
05070	15070	7"	



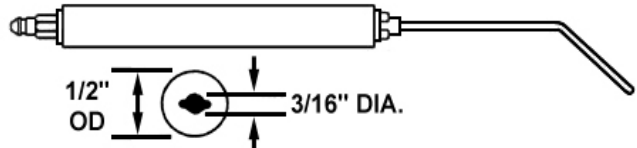
ELECTRODE PART NUMBER	INSULATOR ONLY P/N	LENGTH OF INSULATOR	TYPE OF TIP
02040	12040	4"	
02042	12042	4 1/2"	
02050	12050	5"	HEAVY
02052	12052	5 1/2"	1/8"
02060	12060	6"	DIA.
02070	12070	7"	
02080	12080	8"	
02090	12090	9"	



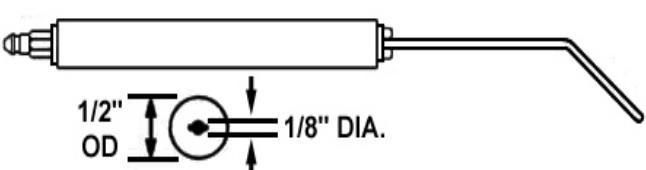
ELECTRODE PART NUMBER	INSULATOR ONLY P/N	LENGTH OF INSULATOR	TYPE OF TIP
06040	16040	4"	
06042	16042	4 1/2"	LIGHT
06050	16050	5"	3/32"
06060	16060	6"	DIA.
06070	16070	7"	



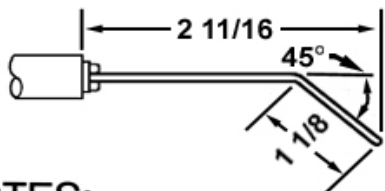
ELECTRODE PART NUMBER	INSULATOR ONLY P/N	LENGTH OF INSULATOR	TYPE OF TIP
03040	13040	4"	HEAVY
03050	13050	5"	1/8"
03060	13060	6"	DIA.



ELECTRODE PART NUMBER	INSULATOR ONLY P/N	LENGTH OF INSULATOR	TYPE OF TIP
09040	19040	4"	
09042	19042	4 1/2"	LIGHT
09050	19050	5"	3/32"
09060	19060	6"	DIA.
09070	19070	7"	
09080	19080	8"	



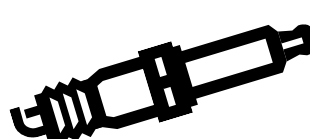
ELECTRODE PART NUMBER	INSULATOR ONLY P/N	LENGTH OF INSULATOR	TYPE OF TIP
04040	14040	4"	
04042	14042	4 1/2"	HEAVY
04050	14050	5"	1/8"
04052	14052	5 1/2"	DIA.
04060	14060	6"	



NOTES:

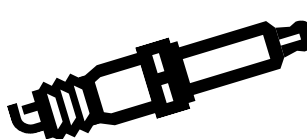
Longer insulator lengths available upon request. Tips can be supplied straight and in standard length of 3". Longer lengths can be supplied upon request. Add the letter S, after the electrode part number, when ordering the straight electrode.

Insulators packaged 2, 10 or 25 to a box. Add a — (dash) and the number 2, 10 or 25 to insulator P/N when ordering insulators.



Decimal Conversion Chart

FRACTIONS	DECIMALS	MILLIMETERS	FRACTIONS	DECIMALS	MILLIMETERS
$\frac{1}{64}$.0156	0.396	$\frac{33}{64}$.5156	13.096
$\frac{1}{32}$.0312	0.793	$\frac{17}{32}$.5312	13.493
$\frac{3}{64}$.0469	1.190	$\frac{35}{64}$.5469	13.890
$\frac{1}{16}$.0625	1.587	$\frac{37}{64}$.5625	14.287
$\frac{5}{64}$.0781	1.984	$\frac{19}{32}$.5781	14.684
$\frac{3}{32}$.0937	2.381	$\frac{39}{64}$.5937	15.081
$\frac{7}{64}$.1094	2.778	$\frac{5}{8}$.6094	15.478
$\frac{9}{64}$.125	3.175	$\frac{41}{64}$.625	15.875
$\frac{5}{32}$.1406	3.571	$\frac{21}{32}$.6406	16.271
$\frac{11}{64}$.1562	3.968	$\frac{43}{64}$.6562	16.668
$\frac{3}{16}$.1719	4.365	$\frac{11}{16}$.6719	17.065
$\frac{13}{64}$.1875	4.762	$\frac{45}{64}$.6875	17.462
$\frac{7}{32}$.2031	5.159	$\frac{23}{32}$.7031	17.859
$\frac{15}{64}$.2187	5.556	$\frac{47}{64}$.7187	18.256
$\frac{1}{4}$.2344	5.953	$\frac{3}{4}$.7344	18.653
$\frac{17}{64}$.25	6.350	$\frac{49}{64}$.75	19.050
$\frac{9}{32}$.2656	6.746	$\frac{25}{32}$.7656	19.446
$\frac{19}{64}$.2812	7.143	$\frac{51}{64}$.7812	19.843
$\frac{5}{16}$.2969	7.540	$\frac{13}{16}$.7969	20.240
$\frac{21}{64}$.3125	7.937	$\frac{53}{64}$.8125	20.637
$\frac{11}{32}$.3281	8.334	$\frac{27}{32}$.8281	21.034
$\frac{23}{64}$.3437	8.731	$\frac{55}{64}$.8437	21.431
$\frac{3}{8}$.3594	9.128	$\frac{7}{8}$.8594	21.828
$\frac{25}{64}$.375	9.525	$\frac{57}{64}$.875	22.225
$\frac{13}{32}$.3906	9.921	$\frac{29}{32}$.8906	22.621
$\frac{27}{64}$.4062	10.318	$\frac{15}{16}$.9062	23.018
$\frac{7}{16}$.4219	10.715	$\frac{59}{64}$.9219	23.415
$\frac{29}{64}$.4375	11.112	$\frac{31}{32}$.9375	23.812
$\frac{15}{32}$.4531	11.509	$\frac{61}{64}$.9531	24.209
$\frac{31}{64}$.4687	11.906	$\frac{1}{2}$.9687	24.606
$\frac{1}{2}$.4844	12.303	$\frac{63}{64}$.9844	25.003
	.5	12.700	1	1.	25.400



Part Number: 100950K

Description: Wayne electrode tune up kit

Packaging: Poly bag hang card

Includes

- 1 - Electrode assembly (100989-013)
- 1 - Setting gauge (14200-002)
- 1 - Oil line 3/16" X 8" L (14452)
- 1 - Coupler w/end caps (100386)
- 1 - Elbow (13494)
- 1 - Buss bar support (13276)

For use on Blue Angel Plus burner model HS up to 6" air tube.



Part Number: 28091K

Description: Weil-McLain electrode tune up kit

Packaging: Poly bag hang card

Includes

- 1 - 28091-01 Electrode assembly (644-600-048)
- 2 - 70043 Wire ignition leads (644-000-043)
- 1 - Oil line - straight 3/16" X 11" (40362B)
- 1 - KK500WM Coupler with end caps (644-700-186)
- 1 - Instruction sheet

For use on burner models QB-180 & 300



Part Number: 100989K

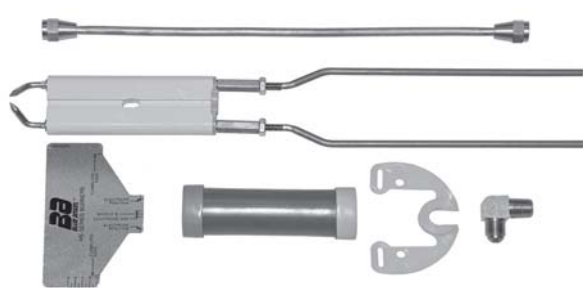
Description: Wayne electrode tune up kit

Packaging: Poly bagged & Tagged

Includes

- 1 - Electrode assembly (100989-061)
- 1 - Setting gauge (14200-002)
- 1 - Oil line 3/16" X 8" L (14452)
- 1 - Coupler w/end caps (100386)
- 1 - Elbow (13494)
- 1 - Buss bar support (13276)

For use on Blue Angel Plus burner model HS over 6" air tubes.



Part Number: 31156K

Description: Wayne electrode tune up kit

Packaging: Poly bag hang card

Includes

- 2 - Electrode assemblies (13286)
- 2 - Electrode Stems (12550)
- 2 - Buss bars 8" (10004-015)
- 2 - Insulator bushings (12408)
- 1 - Oil line 3/16" X 8" L (14452)
- 1 - Coupler w/end caps (13279)
- 1 - Setting gauge (14200)
- 1 - Elbow (13494)
- 1 - Buss bar support (13276)
- 1 - Instruction sheet

For use on burner models M, MSR, MH, ERA, EH, EHA, EHASR, OE, & OEA.



Part Number: 31157K

Description: Wayne electrode tune up kit

Packaging: Poly bag hang card

Includes

- 1 - Electrode assembly w/buss bar (21666-013)
- 1 - Electrode assembly w/buss bar (21667-013)
- 1 - Setting gauge (14200-002)
- 1 - Oil line 3/16" X 8" L (14452)
- 1 - Coupler w/end caps (100386)
- 1 - Elbow (13494)
- 1 - Buss bar support (13276)
- 1 - Instruction sheet

For use on OLD Blue Angel burner model HS

NOTE: This kit excludes the electrode bracket holder Wayne P/N: 21679, which is usually reused when servicing. If you would like a kit that includes the electrode holder please order our P/N: 31157KH



Part Number: 21705U

Description: Beckett Igniton Leads Set

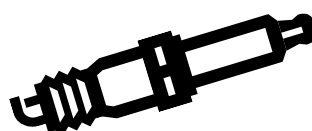
Packaging: Poly bagged

Includes

- 1 - Set of ignition leads
- For use on burner models AF II
 1/4" quick connect transformer wires.



Section 2 - Tune-up Kits & Service Parts



Part Number: 40261

Description: Adams/Beckett electrode kit

Packaging: Poly bag with label

Includes

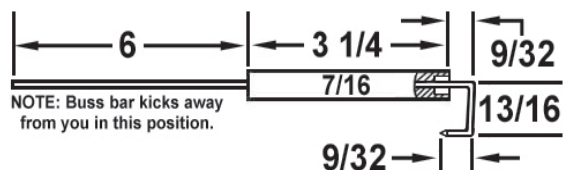
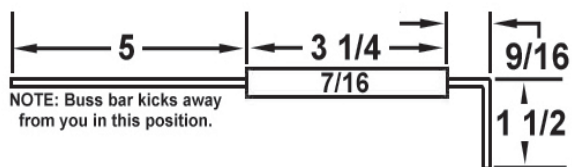
1 - 20070 Electrode assembly

1 - 20417 Flame rod assembly

For use on G2 gas burners.

Adams Manufacturing Electrode Set P/N: 40261

Used in Beckett models G2 gas burners.



Part Number: 40263

Description: Powerflame electrode kit

Packaging: Poly bag with label

Includes

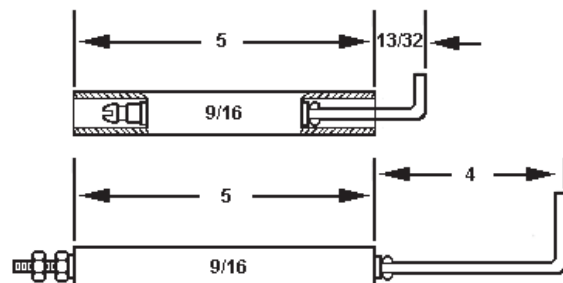
1 - 26887 Electrode assembly

1 - 26894 Flame rod assembly

Used on Columbia boilers.



Power Flame Electrode Set P/N: 40263
 Used in burner models C, J, & CG



Part Number: 40262

Description: Patterson-Kelley electrode kit

Packaging: Poly bag with label

Includes

1 - 26796 Electrode assembly

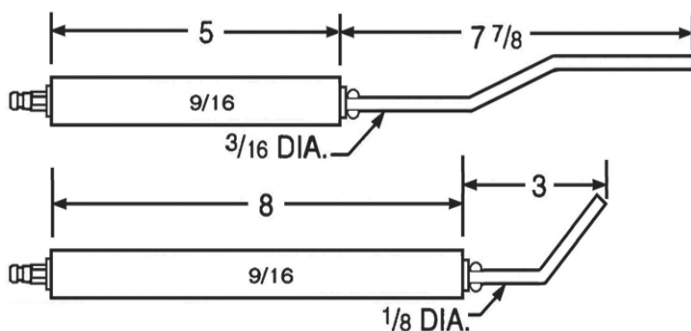
1 - 26798 Flame rod assembly

For use on burner models

N-700 thru N-2000



Patterson-Kelley Electrode Set P/N: 40262
 Used in burner models N-700 thru N-2000



Part Number: 40264

Description: Wayne electrode kit

Packaging: Poly bag with label

Includes

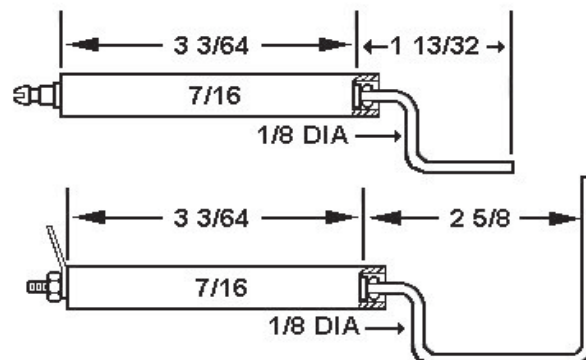
1 - 28045 Flame rod assembly

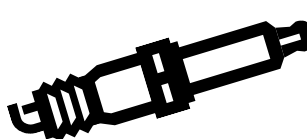
1 - 28047 Electrode assembly

For use on burner models HSG200 & 400



Wayne Electrode Set P/N: 40264
 Used in burner models HSG200 & HSG400





Part Number: 40275

Description: The updated "PRO" ignition kit

Packaging: Durable plastic carrying case

Includes

This kit contains a variety of ignition terminals, standard electrodes, popular OEM electrodes, and other necessary accessories to get burners up and running.

Don't leave the shop without it!



Terminals and Hardware

Quantity	Contents
10 ea.	50000 Cage terminal
10 ea.	50100 Spring terminal
10 ea.	50200 Ring terminal
10 ea.	50450 Right angle cage terminal
10 ea.	50600 Stud ferrule
10 ea.	50760 Hex base stud 6-32 thread.
10 ea.	50700 Hex base stud 10-32 thread.
5 ea.	50860 Hollow stud 6-32 thread.
5 ea.	50800 Hollow stud 10-32 thread.
10 ea.	50900 Eyelet
10 ea.	60018 Flat hex nut 6-32 thread.
10 ea.	60022 Flat hex nut 10-32 thread.

Special OEM Electrodes

Quantity	Contents
2 ea.	20410 Beckett
2 ea.	20780 Carlin
2 ea.	28022 Wayne

Special Tools

Quantity	Contents
1 ea.	40430 Igniter tip bending set
1 ea.	40445 Electrode setting gauge

Buss Bars

Quantity	Contents
2 ea.	40315 Round buss bar - 12" long
2 ea.	40320 Flat buss bar - 12" long

Standard Electrodes

Quantity	Contents
4 ea.	01041
2 ea.	03050
2 ea.	04040
4 ea.	05040
4 ea.	05050
2 ea.	05060
2 ea.	06040
2 ea.	06042
2 ea.	06050
2 ea.	06060

Test Jumpers, Cable, and Chart

Quantity	Contents
1 ea.	40630 Set of booted test leads
1 ea.	5 ft. length GTO-15 ignition cable
1 ea.	Trouble shooting chart



Part Number: 40277

Description: "MECHANIC" electrode roll-up kit

Packaging: Durable plastic roll-up pouch

Includes

This kit includes 8 different standard electrodes, and 2 - O.E.M. electrode assemblies designs. It also contains 10 of the most universal insulators in the oil heat industry to restore service due to electrode or insulator failure.

Contains the following parts:

<u>Standard electrodes</u>	<u>Insulators</u>
2 ea. 05040	2 ea. 11041
2 ea. 05050	2 ea. 15040
2 ea. 05060	2 ea. 15050
2 ea. 06050	2 ea. 15060
	2 ea. 16050

O.E.M. electrode

- 2 ea. 20411 Beckett
- 2 ea. 20418B 6" buss bar



Part Number: 40279

Description: "SERVICEMAN'S" electrode kit

Packaging: Durable plastic case

Includes

This kit includes 16 different standard electrodes, and 4 - O.E.M. electrode assemblies and 20 of the most popular insulators in the industry.

Contains the following parts:

<u>Standard electrodes</u>	<u>Insulators</u>
4 ea. 05040	4 ea. 11041
4 ea. 05050	4 ea. 15040
4 ea. 05060	4 ea. 15050
4 ea. 06050	4 ea. 15060
	4 ea. 16050

O.E.M. Electrodes

- 4 ea. 20411 Beckett
- 4 ea. 20418B 6" buss bar



Part Number: 40278

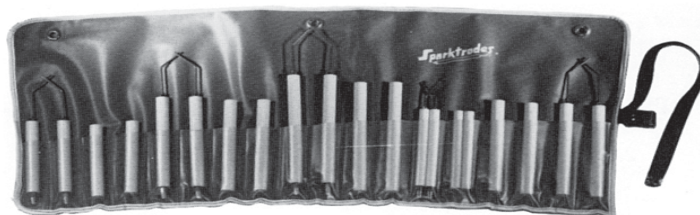
Description: "MASTER" electrode kit

Packaging: Durable plastic roll-up pouch

Includes: This kit includes 20 different standard electrodes to provide a variety that will help any master mechanic to restore service due to electrode failure.

Contains the following parts:

<u>Standard electrodes</u>	<u>Standard electrodes</u>
2 ea. 01041	2 ea. 04040 w/hex nut
2 ea. 01060	2 ea. 04040
2 ea. 02040	2 ea. 05040
2 ea. 02050	2 ea. 05050
2 ea. 02060	2 ea. 05060



Part Number: 40282

Description: Carlin electrode kit

Packaging: Durable plastic roll-up pouch

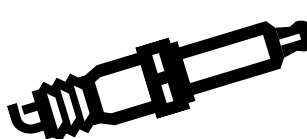
Includes

This kit includes 22 of the most popular Carlin replacement electrodes in the field today. These O.E.M. replacements make a perfect match every time!

Contains the following parts:

<u>O.E.M. electrode(s)</u>		
2 ea. 20710	2 ea. 20725	2 ea. 20765
2 ea. 20720	2 ea. 20730	2 ea. 20770
2 ea. 20715	2 ea. 20760	6 ea. 20780





Part Number: 40283

Description: R. W. Beckett electrode kit

Packaging: Durable plastic roll-up pouch

Includes

This kit includes 18 of the most popular R. W. Beckett replacement electrodes. A perfect match every time!

Contains the following parts:

O.E.M. electrode(s)

- | | | | |
|-------------|-------------|-------------|-------------|
| 4 ea. 20410 | 2 ea. 20413 | 2 ea. 20437 | 2 ea. 20415 |
| 2 ea. 20411 | 2 ea. 20414 | 2 ea. 20441 | 2 ea. 20420 |



Part Number: 40284

Description: Wayne electrode kit

Packaging: Durable plastic roll-up pouch

Includes

This kit includes 18 of the most popular Wayne burner replacement electrodes. A perfect match every time!

Contains the following parts:

O.E.M. electrode(s)

- | | | | |
|-------------|-------------|-------------|-------------|
| 2 ea. 28020 | 2 ea. 28023 | 2 ea. 28026 | 2 ea. 28037 |
| 4 ea. 28022 | 4 ea. 28024 | 2 ea. 28028 | |



Part Number: 40286K

Description: Carlin electrode tune up kit

Packaging: Poly bag hang card

Includes:

- 2 - 20762 Electrode assemblies
- 1 - Yellow electrode setting gauge
- 1 - Red electrode setting gauge
- 1 - Instruction sheet
- 1 - KK100 coupler w/end caps
- 1 - 12" L x 3/16" Dia. copper oil line

For use on burner models 98 - 102, elite, 201 CRD & 301 CRD.



Part Number: 40290

Description: Electrode repair kit

Packaging: Durable plastic carrying case

Includes

This kit contains a variety of replacement insulators, rods and accessories to custom make your own electrode's for emergency and long term standard upgrades. A must for any, "NO HEAT", service call.

Qty.

Contents

- 6 ea. 11041 Glazed insulator - 7/16" dia. x 4 1/4" long
- 6 ea. 15050 Glazed insulator - 9/16" dia. x 5" long
- 6 ea. 16050 Glazed insulator - 9/16" dia. x 5" long w/counterbore
- 3 ea. Package of assorted fasteners, nuts, and washers
- 2 ea. 40305 Electrode rod pack - 10-32 thread.
- 1 ea. 40300 Electrode rod pack - 6-32 thread.
- 1 ea. 40400 Terminal crimping tool / electrode rod cutter



Part Number: 51345C

Description: Beckett electrode assembly

Packaging: Heat sealed poly bag

Includes:

- 2 - Electrode assemblies
- 1 - Instruction sheet

For use on burner models

CF 800 and CF 500

up to 8" air tube combinations.



Part Number: 51346C

Description: Beckett electrode assembly

Packaging: Heat sealed poly bag

Includes

- 2 - Electrode assemblies
- 1 - Instruction sheet

For use on burner models CF 800 and

CF 500 over 8" air tube combinations.



Section 2 - Tune-up Kits & Service Parts



Part Number: 51484U

Description: Beckett electrode tune up kit

Packaging: Heat sealed poly bag

Includes:

- 2 - Electrode assemblies
- 2 - Transformer wires
- 1 - Multi-purpose setting gauge
- 1 - Instruction sheet

For use on burner models AFII-85 and AFII-150 with air tube combination models HLX - HB, HC, HD, and HE up to 9" air tube combinations.



Part Number: 51811U

Description: Beckett electrode kit

Packaging: Poly bagged & tagged

Includes:

- 2 - Electrode assemblies
- 2 - Couplings
- 2 - Rod extension - 4 7/8" L
- 2 - Rod extension - 2 7/8" L
- 1 - Instruction sheet

For use on burner model NX.

(Setting gauge sold separately, order P/N: 40439)



Part Number: 51670U

Description: Beckett electrode kit

Packaging: Poly bagged & tagged

Includes:

- 2 - Electrode assemblies
 - 2 - lead wires with assorted connectors
 - 1 - Extension hdwr., Instruction Sheet & gauge
- For use on burner models AFII 85 & 150 burners. EA16711L for FBX burner head up to 9"



Part Number: 51859

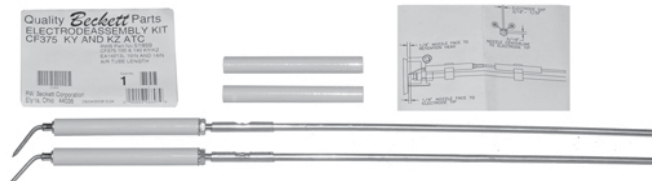
Description: Beckett electrode kit

Packaging: Poly bagged & tagged

Includes:

- 2 - Electrode assemblies
- 2 - Support insulators
- 1 - Instruction sheet

For use on burner model CF375.



Part Number: 51758

Description: Beckett air dial kit AFII

Packaging: Poly bagged & tagged

Includes:

- 1 - Air dial kit
- 1 - Instruction Sheet

For use on burner models AFII burners.



Part Number: 5780C

Description: Beckett electrode tune up kit

Packaging: Poly bagged & tagged

Includes:

- 2 - Electrode assemblies
- 2 - Connector studs
- 2 - Extension rods
- 2 - 10/32 Hex nuts
- 1 - Instruction sheet

For use on burner models AFG, AF, AR, SF, & SR burners up to 9" air tube combinations.

(Setting gauge sold separately, order P/N: 40443)



Part Number: 51760

Description: Beckett completion kit

Packaging: Heat sealed poly bag

Includes:

- 1 - Coupling
- 2 - Screws

For use on burner model SDC burner for Bearcat Mfg. (BAC203).



Part Number: 51771U

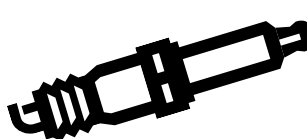
Description: Beckett solid state ignitor

Packaging: Boxed & tagged

Includes:

1 each Igniter With Base Plate Used in models A, AF, AFG and NX Burners. 120VAC/60HZ/35VA/6kv RMS output voltage.





Part Number: 5780K

Description: Beckett electrode tune up kit

Packaging: Poly bag hang card

Includes:

- 2 - Electrode assemblies w/connectors
- 2 - Extension rods
- 2 - 10/32 Hex nuts
- 1 - Instruction sheet
- 1 - KK100 coupler w/end caps
- 1 - 12" L x 3/16" Dia. copper oil line
- 1 - 40443 Electrode setting gauge

For use on burner models AF, AR, SF, & SR burners up to 9" air tube combinations.



Part Number: 5782K

Description: Beckett electrode tune up kit

Packaging: Poly bag hang card

Includes:

- 2 - Electrode assemblies w/connectors
- 2 - Secondary support insulators
- 2 - Extension rods
- 2 - 10/32 Hex nuts
- 1 - Instruction sheet
- 1 - KK100 coupler w/end caps
- 1 - 12" L x 3/16" Dia. copper oil line
- 1 - 40443 Electrode setting gauge

For use on burner models AF, AR, SF, & SR burners over 9" air tube combinations.



Part Number: 5781C

Description: Beckett electrode tune up kit

Packaging: Heat sealed poly bag

Includes:

- 2 - Electrode assemblies
- 2 - Connector studs
- 2 - Spring connectors
- 2 - Extension rods
- 2 - 10/32 Hex nuts
- 1 - Instruction sheet

For use on burner models A & S burners up to 9" air tube combinations.



Part Number: 5783

Description: Beckett electrode tune up kit

Packaging: Heat sealed poly bag

Includes:

- 2 - Electrode assemblies
- 2 - Support insulators
- 2 - Bullet connector studs
- 2 - Extension rods
- 2 - 10/32 Hex nuts
- 1 - Instruction sheet

For use on burner models A & S burners over 9" air tube combinations.



Part Number: 5782C

Description: Beckett electrode tune up kit

Packaging: Poly bagged & tagged

Includes:

- 2 - Electrode assemblies
- 2 - Support insulators
- 2 - Connector studs
- 2 - Extension rods
- 2 - 10/32 Hex nuts
- 1 - Instruction sheet

For use on burner models AFG, AF, AR, SF, & SR burners over 9" air tube combinations.

(Setting gauge sold separately, order P/N: 40443)



Part Number: 578705

Description: Beckett electrode set

Packaging: Poly bagged & tagged

Includes:

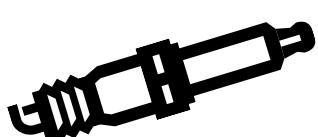
- 2 - Electrode assemblies
- 1 - Instruction sheet

For use on a variety of private label burner models

AF & SF. Reference #EA22406C



Section 2 - Tune-up Kits & Service Parts



Part Number: 578707C
Description: Beckett electrode set
Packaging: Heat sealed poly bag
Includes:
 2 - 20418 Electrode assemblies (EA28406C)
 For use on a variety of private name brand burner models. Used in models AFG, AF, SF, AF-90 series burners up to 9" air tubes.



Part Number: 578716
Description: Beckett electrode set
Packaging: Poly bagged & tagged
Includes:
 2 - Electrode assemblies
 For use on a variety of private label burner models AFG & SF. Reference #EA23906K.



Part Number: 578708C
Description: Beckett electrode set
Packaging: Poly bagged & tagged
Includes:
 2 - Electrode assemblies
 For use on burner models AFG & SF with 7 1/4" long air tubes. Reference #EA24106C



Part Number: 578723C
Description: Beckett electrode set
Packaging: Heat sealed poly bag
Includes:
 2 - 20401 Electrode assemblies (EA15802B) used on a variety of private name brand burner models. Used in models AF, AF-44 series, SF, and SM burners. 4 1/2" air tube only.



Part Number: 578711C
Description: Beckett electrode set
Packaging: Poly bagged & tagged
Includes:
 2 - Electrode assemblies
 For use on burner models AF-10 & AF-15. Reference #EA13302B.



Part Number: 5940
Description: Beckett electrode set
Packaging: Poly bag & tagged
Includes:
 2 - Electrode assemblies
 2 - Female connector studs
 2 - Extension rods
 For use on burner models MB & MD burners up to 9" air tube combinations. use on burner models CF 800 and CF 500 up to 8" air tube combinations.

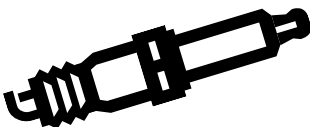
Part Number: 578712C
Description: Beckett electrode set
Packaging: Poly bagged & tagged
Includes:
 2 - Electrode assemblies used on a variety of private name brand burner models for AFG & SF. Reference # EA21506C.





Your Single Source!

P.O. Box 846 - Farmingdale, NJ 07727



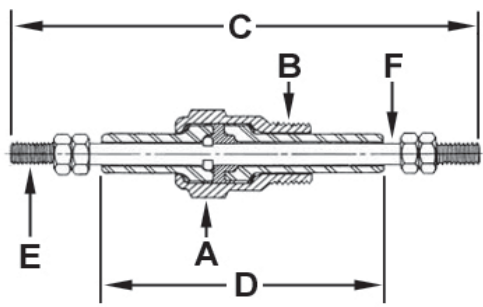
Customer Service
 * Tel: (800) 631-2153
 * Fax: (888) 645-7278
 www.crownengineering.com

Champion Spark Plugs

Crown Part Number	Thread Size	Crown Part Number	Thread Size
25	14 MM	K97F	18 MM
CJ8	14 MM	K98F	OBSOLETE
D23	18 MM	RJ12YC	14 MM
D89D	18 MM	RL87YC	14 MM
D9	18 MM	RN13LYC	14 MM
ED-89D	18 MM	UD16	18 MM
F-121501	14 MM	UY6	10 MM
F-121503	14 MM	W18	7/8" - 18
H-14-Y	14 MM	W95D	7/8" - 18
J12YC	14 MM	Z6	10 MM
J99	14 MM	Z9Y	10 MM



NOTE: K97F replaces K98F



Electric Feed-throughs

Auburn electric feedthroughs are used in oil and gas filled transformers and switching equipment.

Additional applications include terminals and overloads in hermetic air conditioning and refrigeration compressors, explosion proof electric motors, generators, autoclaves, and centrifugal and submersible pumps.

They are compact and their one piece design assures positive electrical and leak-proof connection into the pressure vessel.

AUBURN ELECTRIC FEED THROUGHS

Part Number	Dimensions						Conductor Material	Current Rating	Flash Over	Max. Operating Temperature
	A	B	C	D	E	F				
F-140	13/16" S/S	3/8" - 18	3.57	2.33	10 - 24	3/16" DIA	KOVAR	30 AMPS	8 KV	600° F
F-150	13/16" S/S	5/8" - 24	3.57	2.33	10 - 24	3/16" DIA	KOVAR	30 AMPS	8 KV	600° F
F-200-1H	13/16" CAD	3/8" - 18	4.45	2.71	1/4" - 20	1/4" DIA	BRASS	105 AMPS	8 KV	200° F
F-210-1H	13/16" CAD	3/8" - 18	4.45	2.71	1/4" - 20	1/4" DIA	COPPER	175 AMPS	8 KV	200° F
F-220-1	13/16" CAD	5/8" - 18	4.45	2.71	1/4" - 20	1/4" DIA	BRASS	105 AMPS	8 KV	200° F
F-230-1H	13/16" CAD	5/8" - 18	4.45	2.71	1/4" - 20	1/4" DIA	COPPER	175 AMPS	8 KV	200° F
F-220-1B	13/16" CAD	5/8" - 18	4.20	2.71	1/4" - 20	1/4" DIA	BRASS	105 AMPS	8 KV	200° F
F-240LLH	7/8" CAD	1/2" - 14	5.17	3.67	1/4" - 20	1/4" DIA	BRASS	105 AMPS	14 KV	200° F
F-250LLH	7/8" CAD	1/2" - 14	5.17	3.67	1/4" - 20	1/4" DIA	COPPER	175 AMPS	14 KV	200° F
F-310-H	1-1/8" CAD	3/4" - 14	5.23	3.23	3/8" - 16	3/8" DIA	COPPER	275 AMPS	12 KV	200° F
F-610	1-3/8" CAD	1" - 11 1/2	5.91	3.17	5/8" - 11	5/8" DIA	COPPER	750 AMPS	8 KV	200° F
F-630	1-3/8" CAD	1" - 11 1/2	7.68	3.67	5/8" - 11	5/8" DIA	COPPER	750 AMPS	10 KV	200° F
F-670	1-3/8" CAD	1" - 11 1/2	6.92	3.67	5/8" - 11	5/8" DIA	COPPER	750 AMPS	10 KV	200° F
F-690	1-3/8" CAD	1" - 11 1/2	8.29	3.17	5/8" - 11	5/8" DIA	COPPER	750 AMPS	8 KV	200° F

A & J,H,S oil pump strainers and gaskets - GTO cable 7mm Industrial igniters - Gaskets - Electrodes & tune up kits - and leads - Champion spark plugs - Pump couplers B & G - gaskets - Gauge glass valves with rods - High temperature ceramic fiber rope - Industrial igniters & flame rods - Ignition terminal and transformer kits - Miller plate & flange gaskets - Pump test kit - O.E.M. electrodes and igniters - Oil burner nozzles & adapters - Spin-On oil filters - Pioneer burner couplers - and much more!

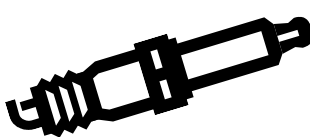
- Oil De-aerator - Auburn® Products - Red Silicone cable 7mm Blowout gun and CO₂ chargers - Buss bars - Cad cell eyes Ignition terminals & kits - Setting gauges - Gaskets and cover

Section 3 - Industrial Igniters & Flame Rods

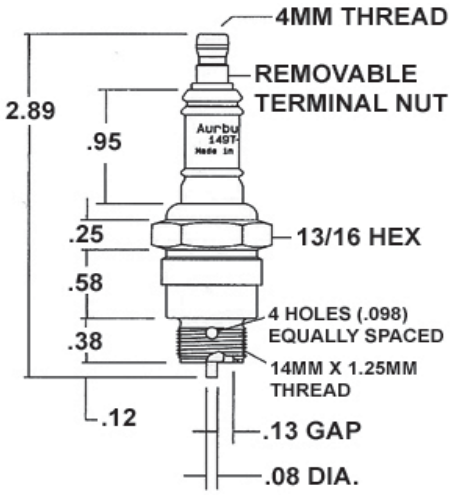


Your Single Source!

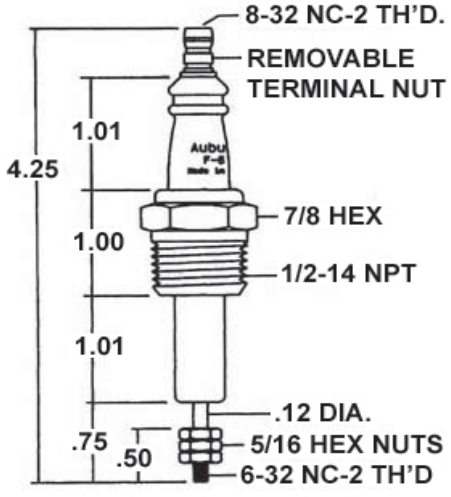
P.O. Box 846 - Farmingdale, NJ 07727



Customer Service
 • Tel: (800) 631-2153
 • Fax: (888) 645-7278
 www.crownengineering.com

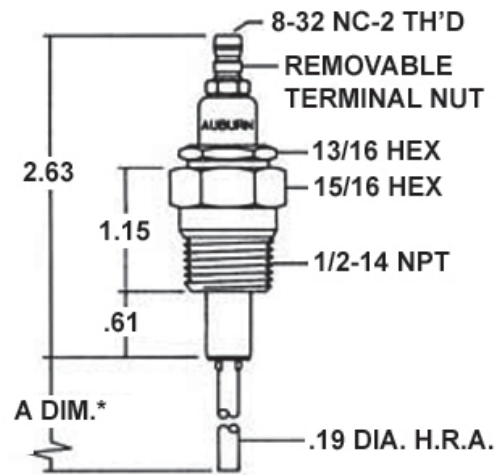


149T-1 .090



F-68

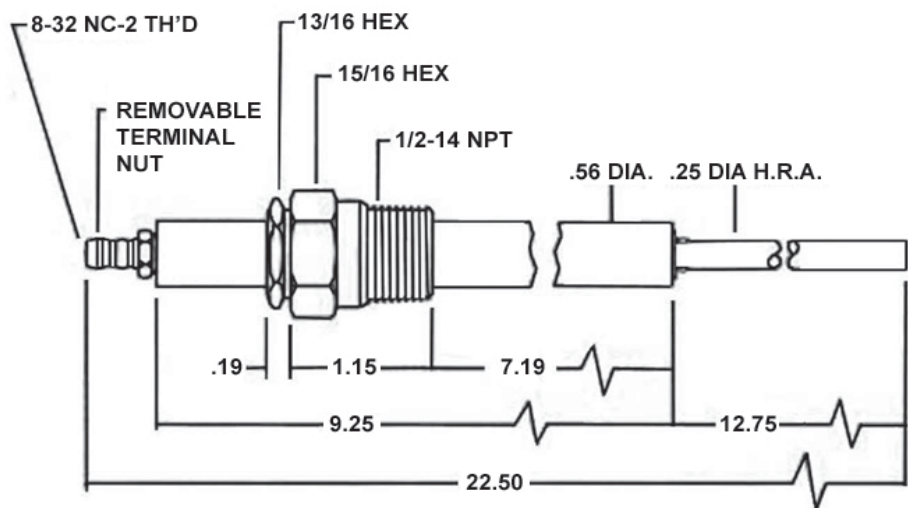
NOTE: Crown generic available: CA250



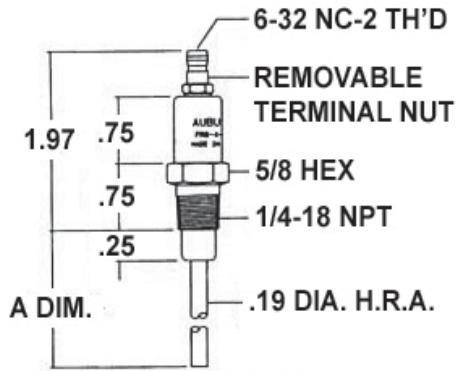
FRS SERIES	
1/2 NPT MOUNTING TH'D	
P/N	A-DIM.
FRS-2-6	6"
FRS-2-12	12"
FRS-2-18	18"
FRS-2-24	24"

FRS-2 SERIES

NOTE: Crown generic available: CA390 thru CA393



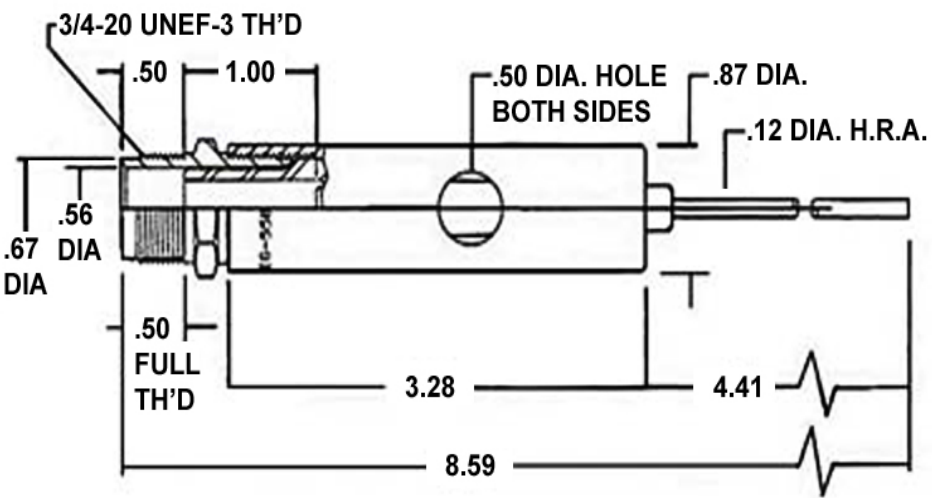
FRS-3 SERIES



FRS-4 SERIES	
1/4 NPT MOUNTING TH'D	
P/N	A-DIM.
FRS-4-4	4"
FRS-4-6	6"
FRS-4-12	12"
FRS-4-18	18"
FRS-4-24	24"

FRS-4 SERIES

NOTE: Crown generic available: CA430 thru CA441



FRS-6 SERIES

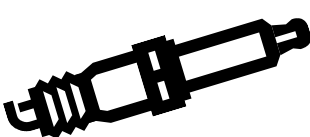
A & J,H,S oil pump strainers and gaskets - GTO cable 7mm Industrial igniters - Gaskets - Electrodes & tune up kits - and leads - Champion spark plugs - Pump couplers B & G - gaskets - Gauge glass valves with rods - High temperature ceramic fiber rope - Industrial igniters & flame rods - Ignition terminal and transformer kits - Miller plate & flange gaskets - Pump test kit - O.E.M. electrodes and igniters - Oil burner nozzles & adapters - Spin-On oil filters - Pioneer burner couplers - and much more!

- Oil De-aerator - Auburn® Products - Red Silicone cable 7mm Blowout gun and CO₂ chargers - Buss bars - Cad cell eyes Ignition terminals & kits - Setting gauges - Gaskets and cover

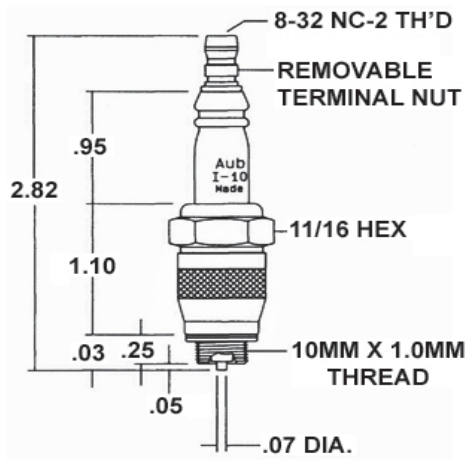


Your Single Source!

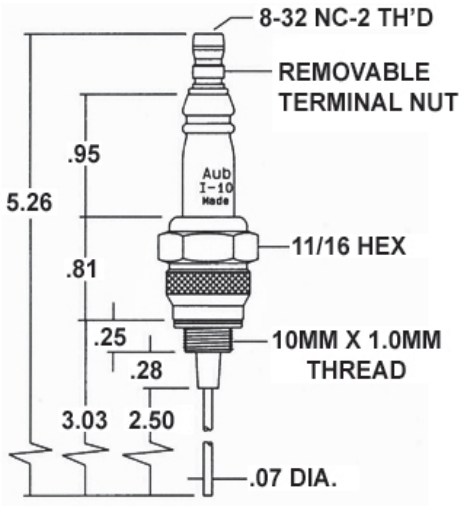
P.O. Box 846 - Farmingdale, NJ 07727



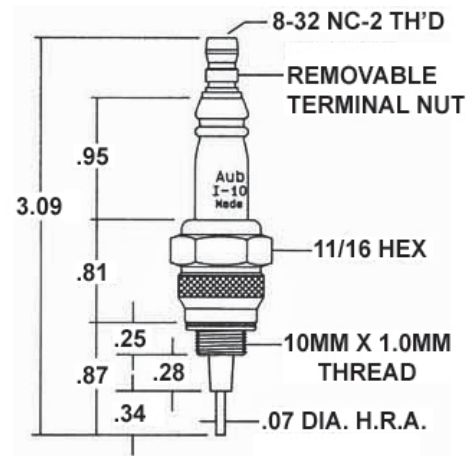
Customer Service
Tel: (800) 631-2153
Fax: (888) 645-7278
www.crownengineering.com



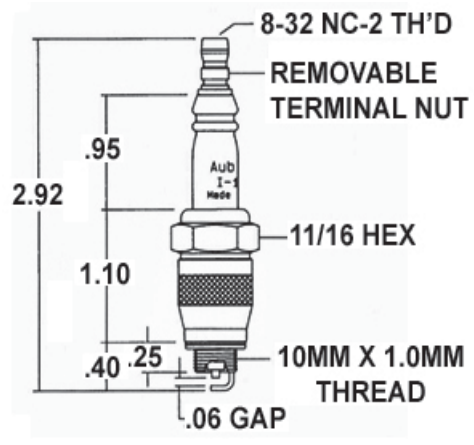
I-10-9



I-10-25

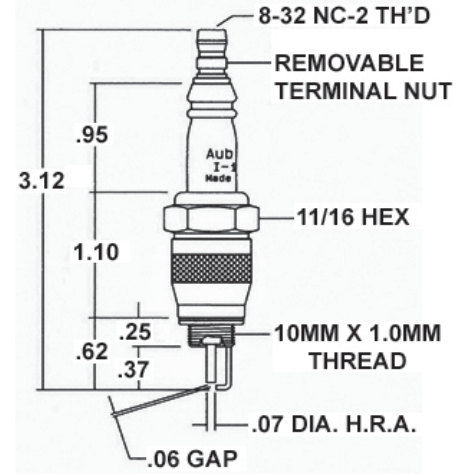


I-10-30



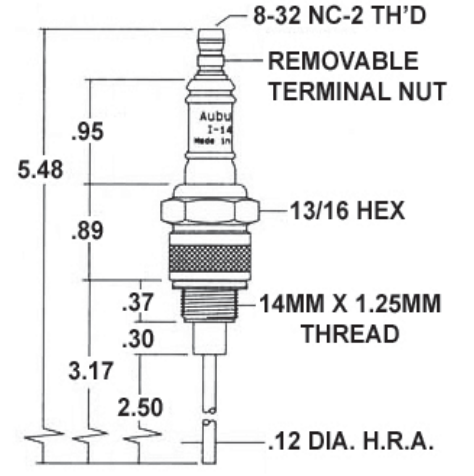
I-101

NOTE: Crown generic available: CA500



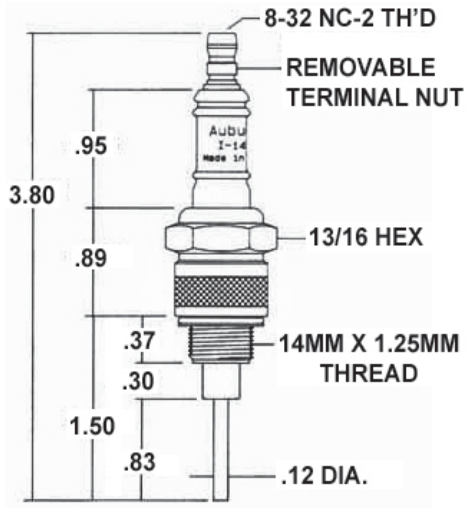
I-102

NOTE: Crown generic available: CA502



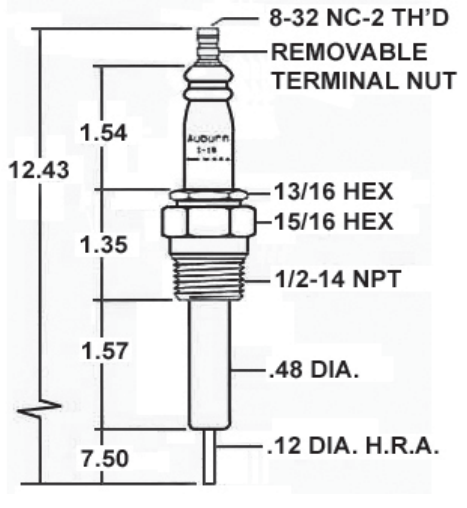
I-143

NOTE: Crown generic available: CA503



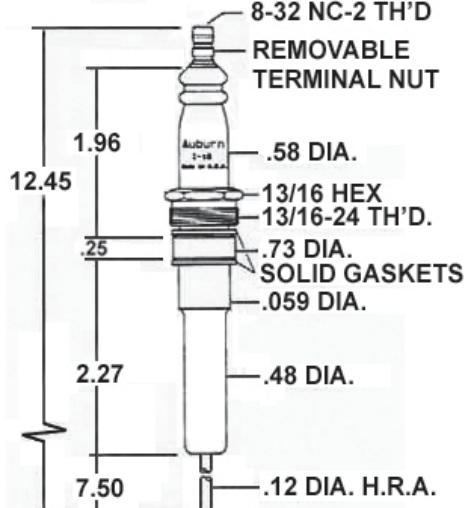
I-144

NOTE: Crown generic available: CA645



I-18

NOTE: Crown generic available: CA200



I-18 INSULATOR

NOTE: Crown generic available: CA220

Section 3 - Industrial Igniters & Flame Rods

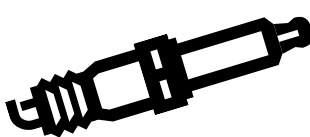
A & J,H,S oil pump strainers and gaskets - GTO cable 7mm Industrial igniters - Gaskets - Electrodes & tune up kits - and leads - Champion spark plugs - Pump couplers B & G - gaskets - Gauge glass valves with rods - High temperature ceramic fiber rope - Industrial igniters & flame rods - Ignition terminal and transformer kits - Miller plate & flange gaskets - Pump test kit - O.E.M. electrodes and igniters - Oil burner nozzles & adapters - Spin-On oil filters - Pioneer burner couplers - and much more!

- Oil De-aerator - Auburn® Products - Red Silicone cable 7mm Blowout gun and CO₂ chargers - Buss bars - Cad cell eyes Ignition terminals & kits - Setting gauges - Gaskets and cover

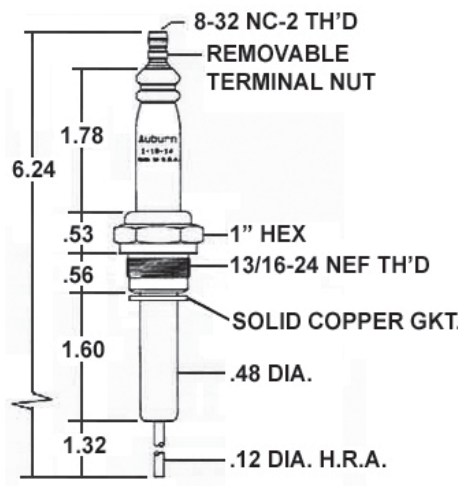


Your Single Source!

P.O. Box 846 - Farmingdale, NJ 07727

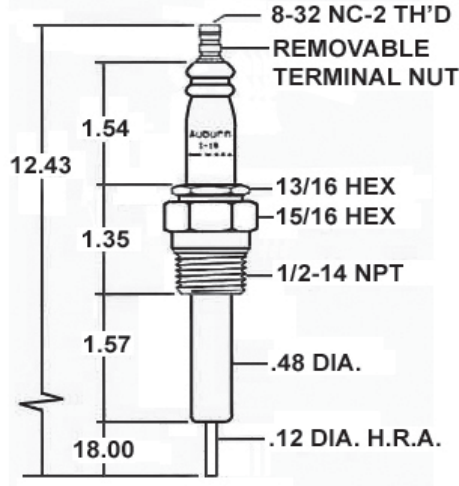


Customer Service
 • Tel: (800) 631-2153
 • Fax: (888) 645-7278
 www.crownengineering.com

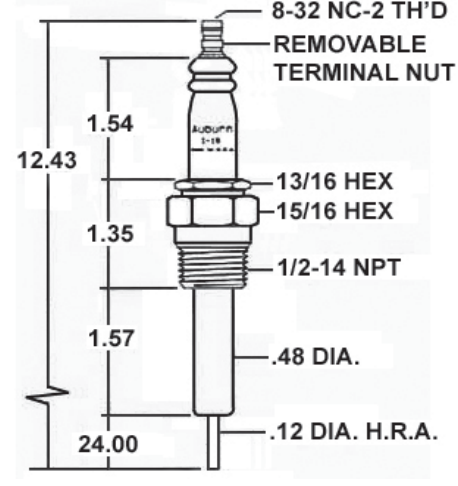


I-18-14

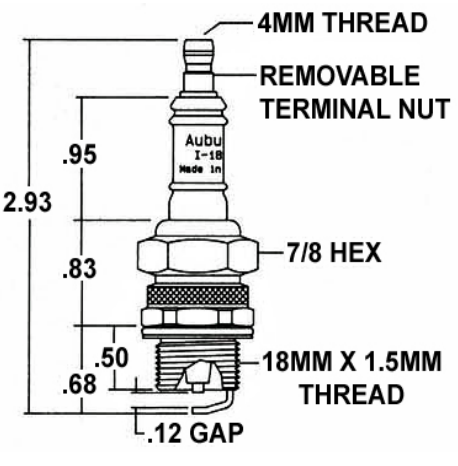
NOTE: Crown generic available: CA210



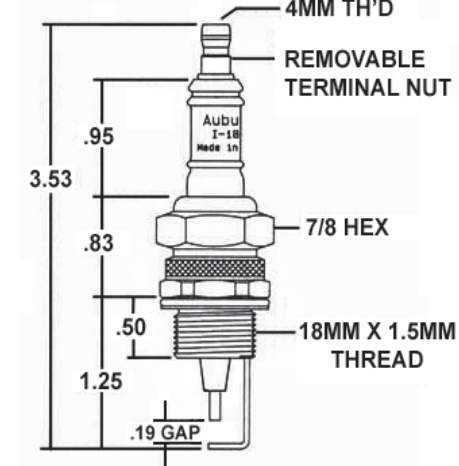
I-18-18



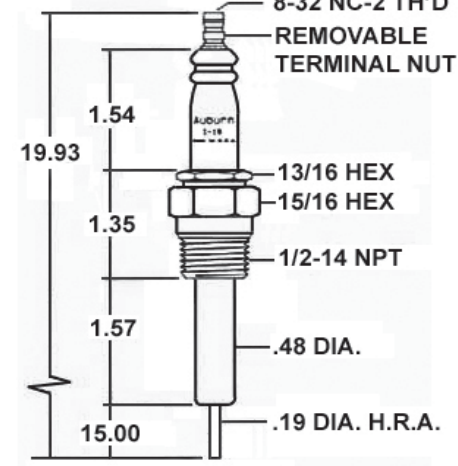
I-18-24



I-181

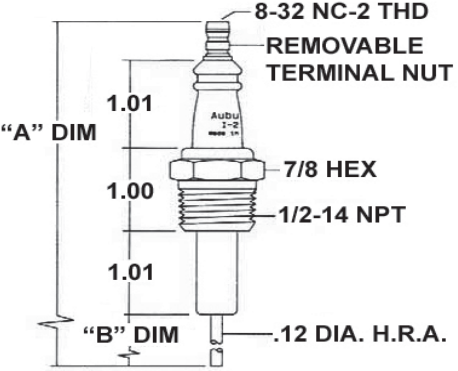


I-182-1



I-18K

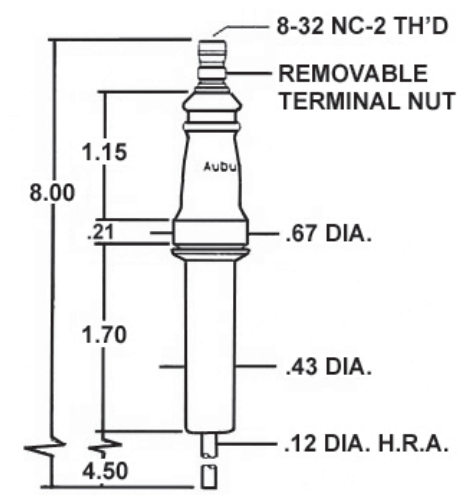
NOTE: Crown generic available: CA240



I-2 SERIES

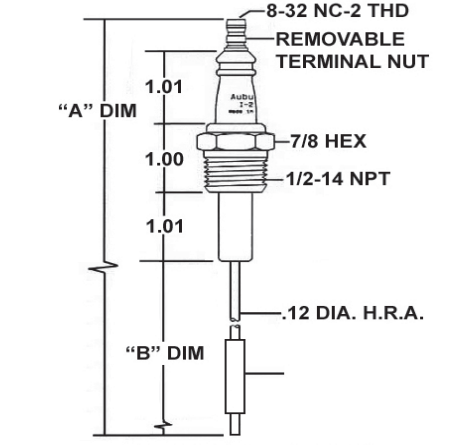
P/N	"A" DIM.	"B" DIM.
I-2	8.00 REF	4.50
I-2-1	15.50 REF	12.00
I-2-2	27.50 REF	24.00

NOTE: Crown generic available: CA100 thru CA102



I-2 INSULATOR

NOTE: Crown generic available: CA120



I-2-EI-1 & I-2-EI-2

P/N	"A" DIM.	"B" DIM.
I-2-EI-1	11.50	7.9375
I-2-EI-2	19.00	15.5312

NOTE: Crown generic available: CA108 & CA109

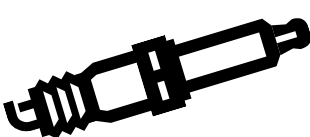
A & J,H,S oil pump strainers and gaskets - GTO cable 7mm Industrial igniters - Gaskets - Electrodes & tune up kits - and leads - Champion spark plugs - Pump couplers B & G - gaskets - Gauge glass valves with rods - High temperature ceramic fiber rope - Industrial igniters & flame rods - Ignition terminal and transformer kits - Miller plate & flange gaskets - Pump test kit - O.E.M. electrodes and igniters - Oil burner nozzles & adapters - Spin-On oil filters - Pioneer burner couplers - and much more!

- Oil De-aerator - Auburn® Products - Red Silicone cable 7mm Blowout gun and CO² chargers - Buss bars - Cad cell eyes Ignition terminals & kits - Setting gauges - Gaskets and cover

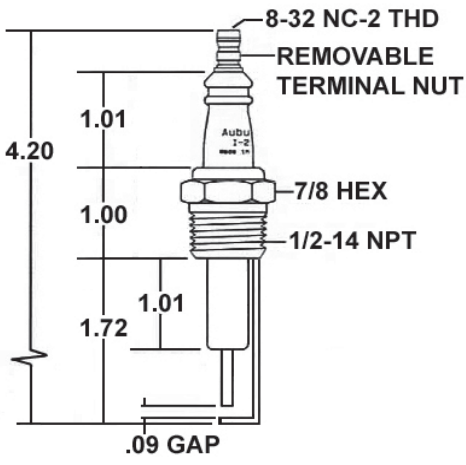


Your Single Source!

P.O. Box 846 - Farmingdale, NJ 07727

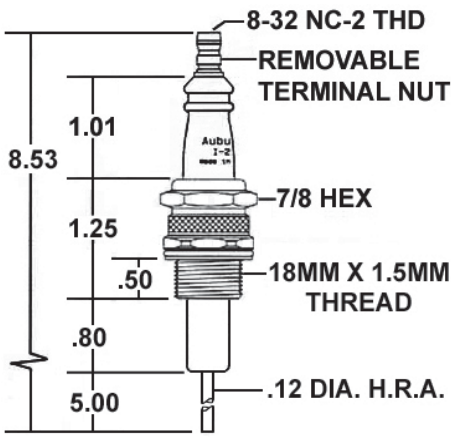


Customer Service
Tel: (800) 631-2153
Fax: (888) 645-7278
www.crownengineering.com

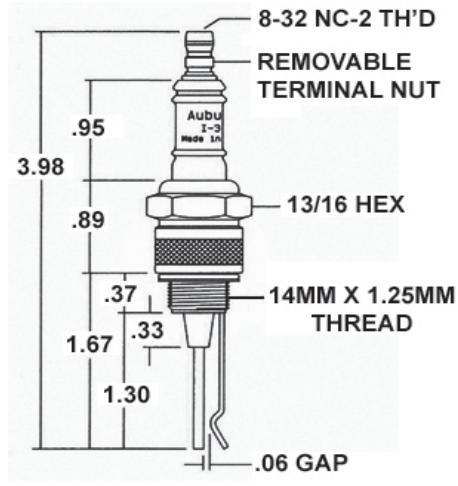


I-25

NOTE: Crown generic available: CA230

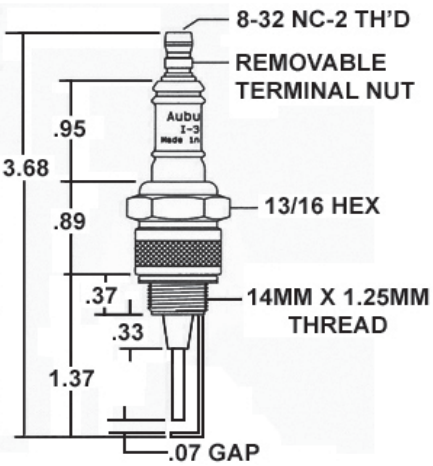


I-28



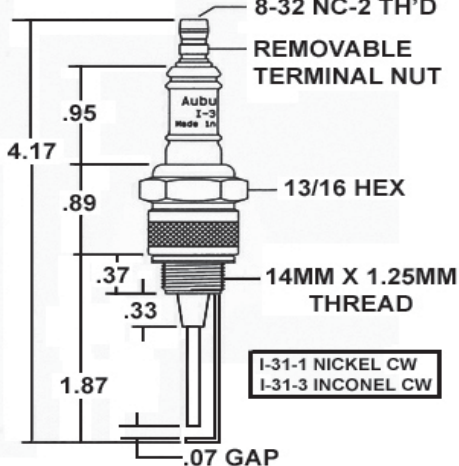
I-3

NOTE: Crown generic available: CA470



I-31

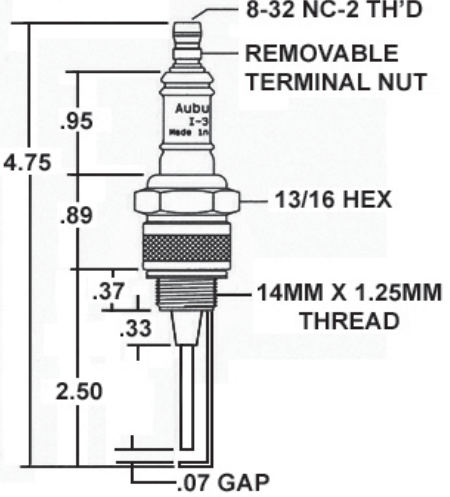
NOTE: Crown generic available: CA505



I-31-1 & I-31-3

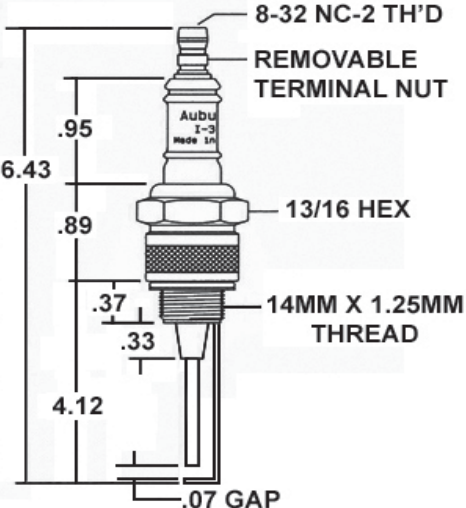
NOTE: Crown generic available for I-31-1: CA506

I-31-1 NICKEL CW
I-31-3 INCONEL CW



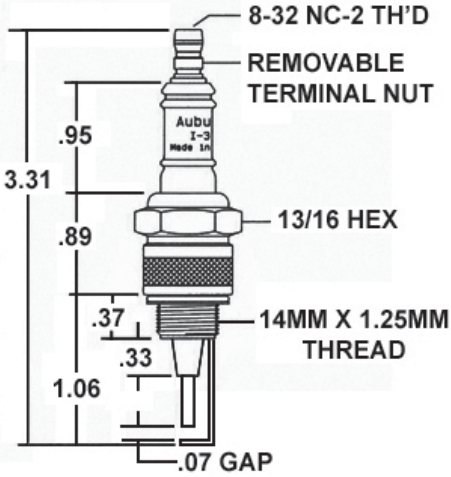
I-31-2

NOTE: Crown generic available: CA507

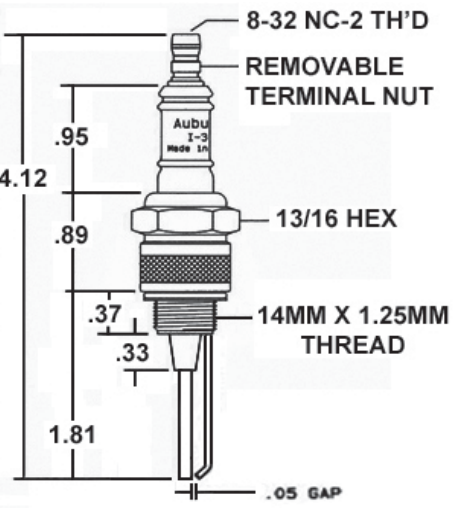


I-31-5

NOTE: Crown generic available: CA510



I-31-6



I-32

NOTE: Crown generic available: CA515

Section 3 - Industrial Igniters & Flame Rods

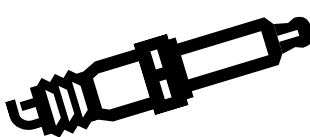
A & J,H,S oil pump strainers and gaskets - GTO cable 7mm Industrial igniters - Gaskets - Electrodes & tune up kits - and leads - Champion spark plugs - Pump couplers B & G - gaskets - Gauge glass valves with rods - High temperature ceramic fiber rope - Industrial igniters & flame rods - Ignition terminal and transformer kits - Miller plate & flange gaskets - Pump test kit - O.E.M. electrodes and igniters - Oil burner nozzles & adapters - Spin-On oil filters - Pioneer burner couplers - and much more!

- Oil De-aerator - Auburn® Products - Red Silicone cable 7mm Blowout gun and CO₂ chargers - Buss bars - Cad cell eyes Ignition terminals & kits - Setting gauges - Gaskets and cover

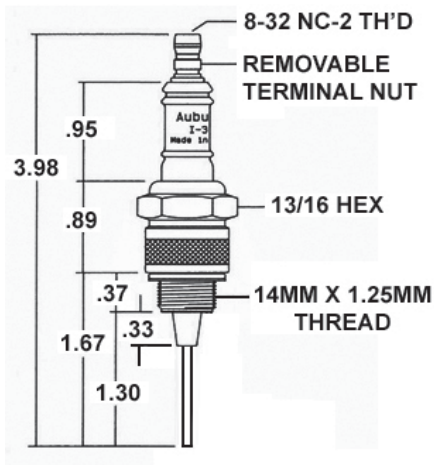


Your Single Source!

P.O. Box 846 - Farmingdale, NJ 07727

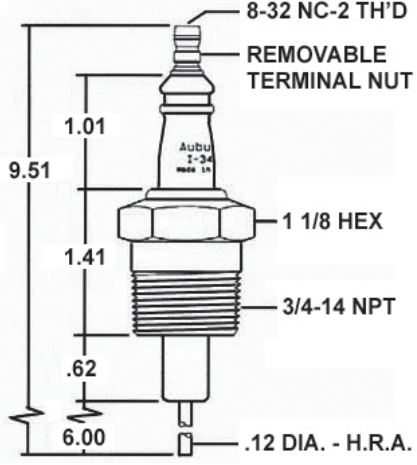


Customer Service
 • Tel: (800) 631-2153
 • Fax: (888) 645-7278
 www.crownengineering.com



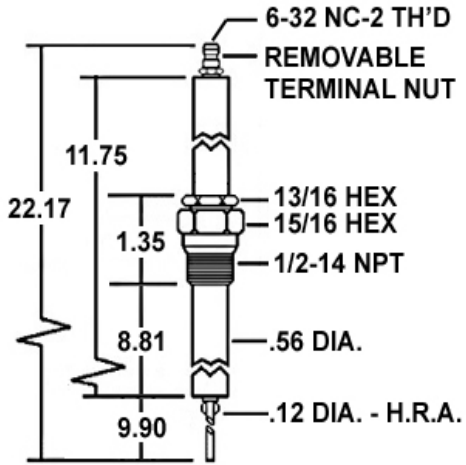
I-33

NOTE: Crown generic available: CA490



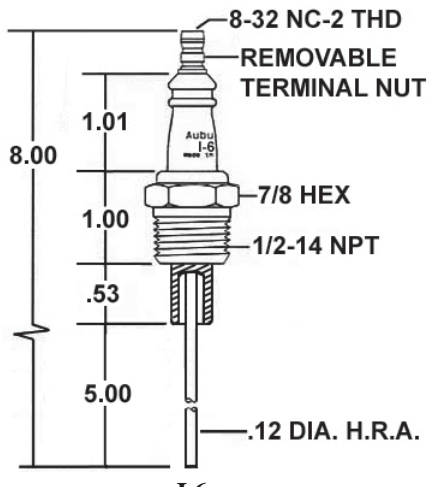
I-34

NOTE: Crown generic available: CA520



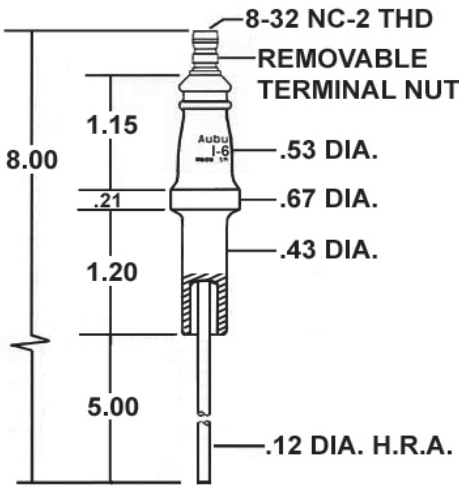
I-5-99

NOTE: Crown generic available: CA370



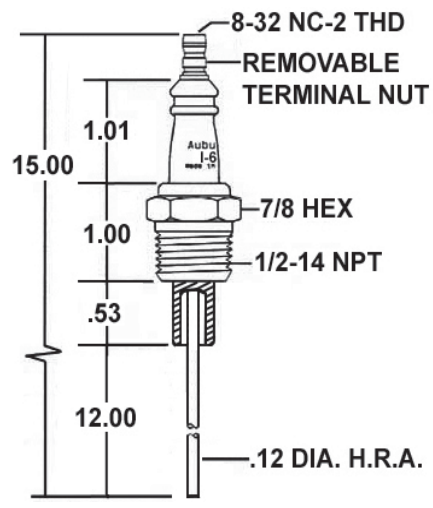
I-6

NOTE: Crown generic available: CA140 thru CA146



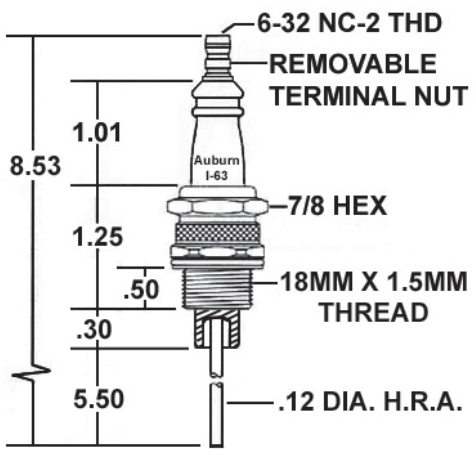
I-6INSULATOR

NOTE: Crown generic available: CA160

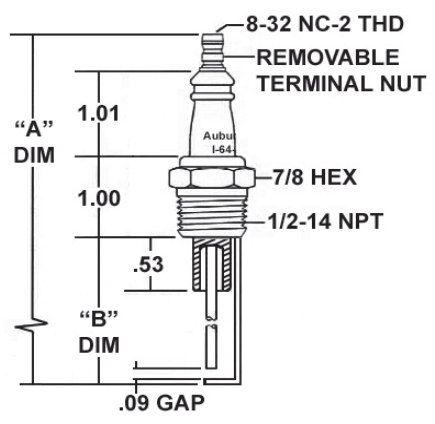


I-6-12

NOTE: Crown generic available: CA142

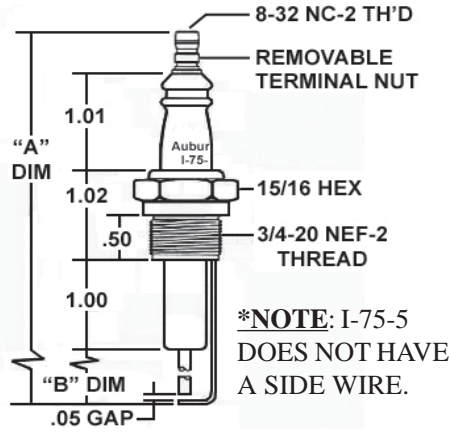


I-63



P/N	"A" DIM	"B" DIM
I-64-1	4.20	1.72
I-64-3	6.24	3.75
I-64-4	3.60	1.12

NOTE: Crown generics available



P/N	"A" DIM	"B" DIM
I-75-1	4.31	.81
I-75-6	3.81	.28
I-75-5*	4.21	.71

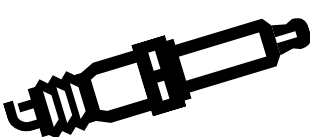
A & J,H,S oil pump strainers and gaskets - GTO cable 7mm Industrial igniters - Gaskets - Electrodes & tune up kits - and leads - Champion spark plugs - Pump couplers B & G - gaskets - Gauge glass valves with rods - High temperature ceramic fiber rope - Industrial igniters & flame rods - Ignition terminal and transformer kits - Miller plate & flange gaskets - Pump test kit - O.E.M. electrodes and igniters - Oil burner nozzles & adapters - Spin-On oil filters - Pioneer burner couplers - and much more!

- Oil De-aerator - Auburn® Products - Red Silicone cable 7mm Blowout gun and CO² chargers - Buss bars - Cad cell eyes Ignition terminals & kits - Setting gauges - Gaskets and cover

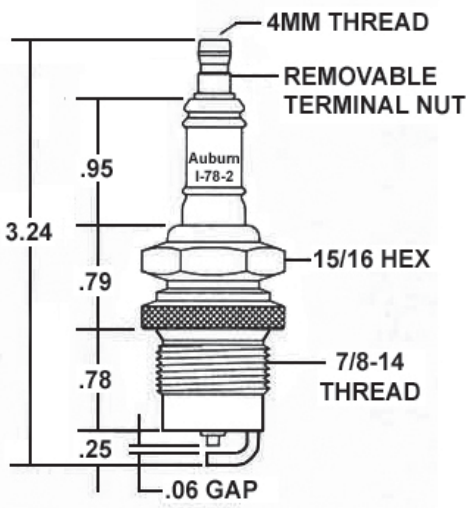


Your Single Source!

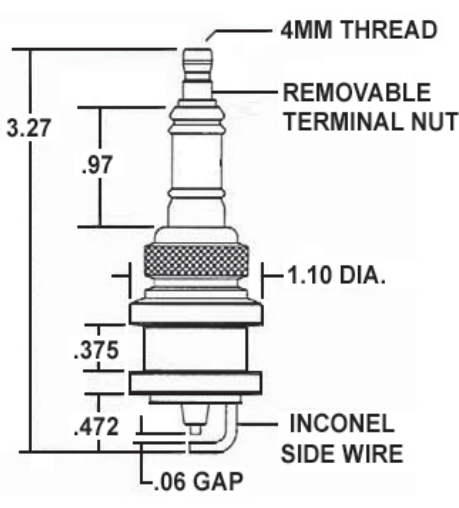
P.O. Box 846 - Farmingdale, NJ 07727



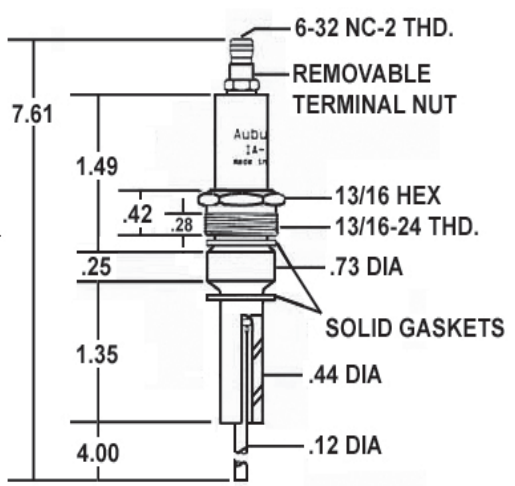
Customer Service
 * Tel: (800) 631-2153
 * Fax: (888) 645-7278
 www.crownengineering.com



I-78-2

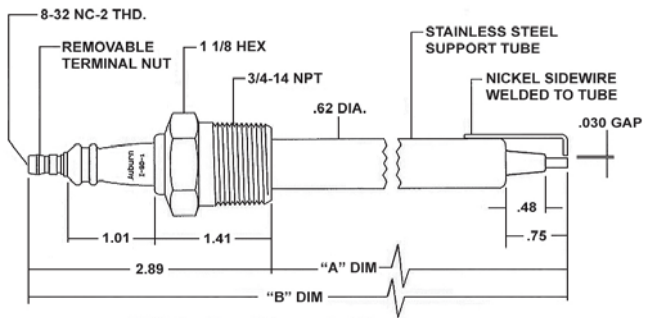


I-82



IA-9

NOTE: Crown generic available: CA180

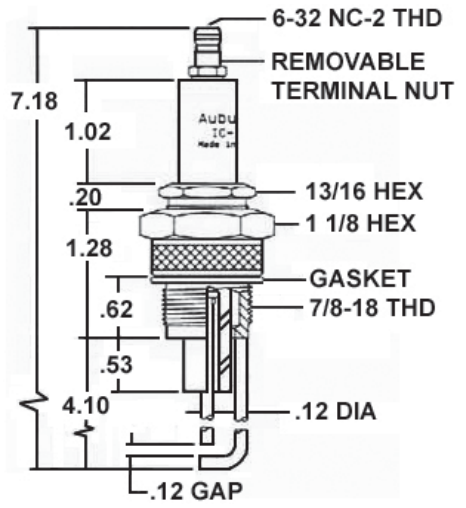


I-90 Series Shrouded Igniters

CATALOG NO.	"A" DIM. (in.)	"B" DIM. (in.)
I-90-1	4.250	7.140
* I-90-2	6.000	8.890
I-90-3	9.000	11.890
I-90-4	7.375	10.265
I-90-5	9.937	12.827
I-90-6	12.125	15.015
I-90-7	10.000	12.890
I-90-8	15.750	18.640

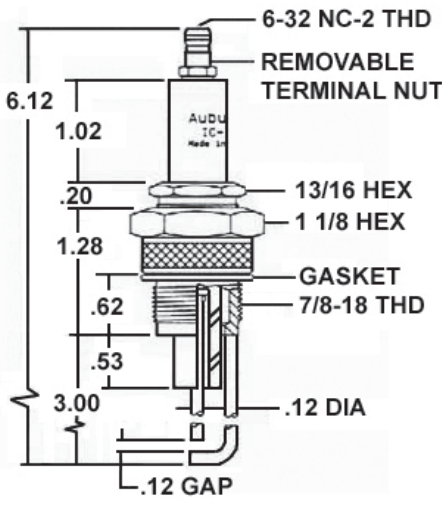
* This items is Obsoleted by manufacturer

I-90 SERIES



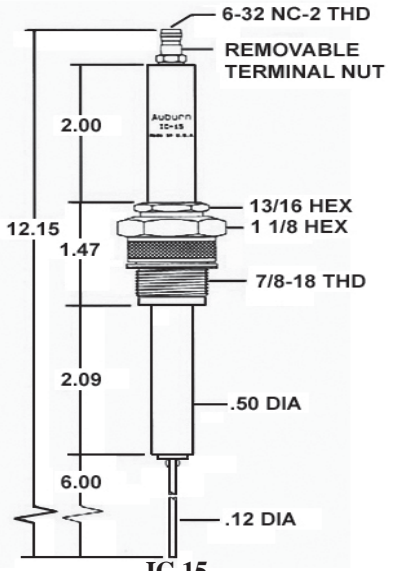
IC-9-2

NOTE: Crown generic available: CA480

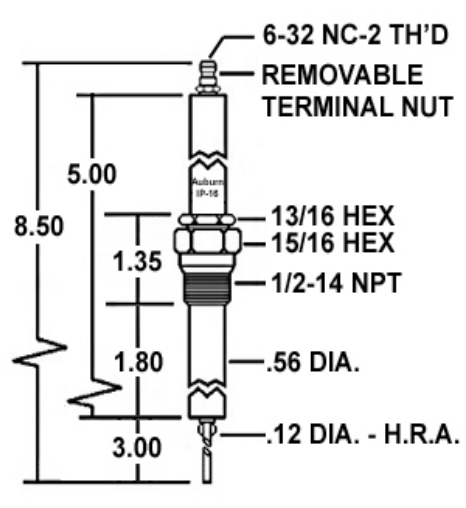


IC-9-5

NOTE: Crown generic available: CA482



IC-15



IP-16

NOTE: Crown generic available: CA290

Section 3 - Industrial Igniters & Flame Rods

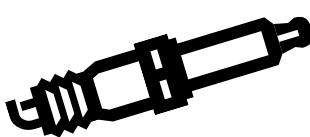
A & J,H,S oil pump strainers and gaskets - GTO cable 7mm Industrial igniters - Gaskets - Electrodes & tune up kits - and leads - Champion spark plugs - Pump couplers B & G - gaskets - Gauge glass valves with rods - High temperature ceramic fiber rope - Industrial igniters & flame rods - Ignition terminal and transformer kits - Miller plate & flange gaskets - Pump test kit - O.E.M. electrodes and igniters - Oil burner nozzles & adapters - Spin-On oil filters - Pioneer burner couplers - and much more!

- Oil De-aerator - Auburn® Products - Red Silicone cable 7mm Blowout gun and CO₂ chargers - Buss bars - Cad cell eyes Ignition terminals & kits - Setting gauges - Gaskets and cover

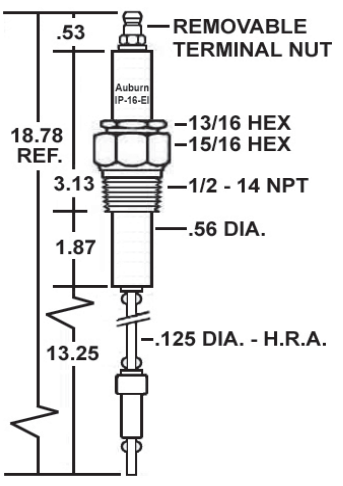


Your Single Source!

P.O. Box 846 - Farmingdale, NJ 07727

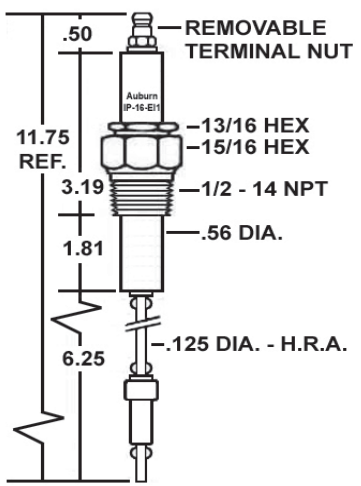


Customer Service
Tel: (800) 631-2153
Fax: (888) 645-7278
www.crownengineering.com



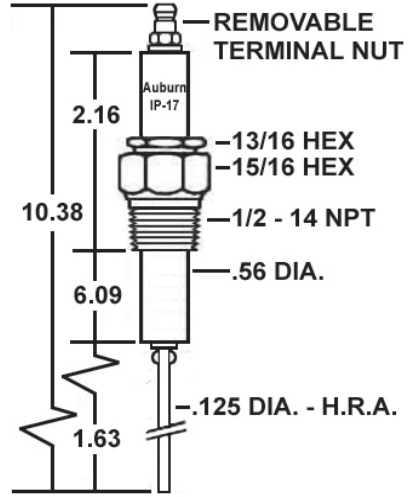
IP-16-EI

NOTE: Crown generic available: CA304



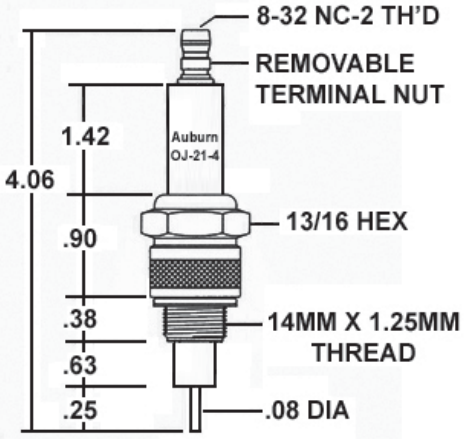
IP-16-EI-1

NOTE: Crown generic available: CA305



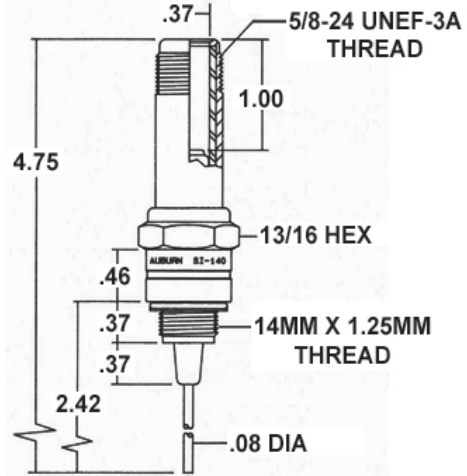
IP-17

NOTE: Crown generic available: CA310

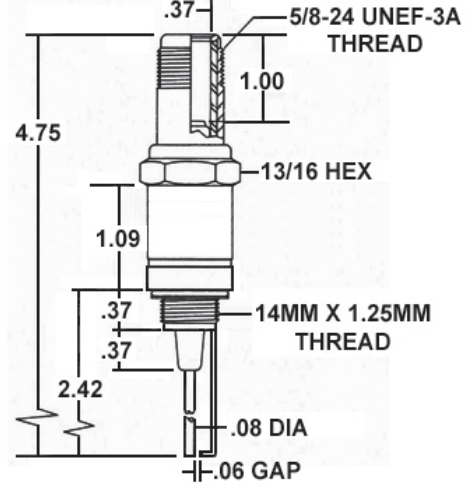


OJ-21-4

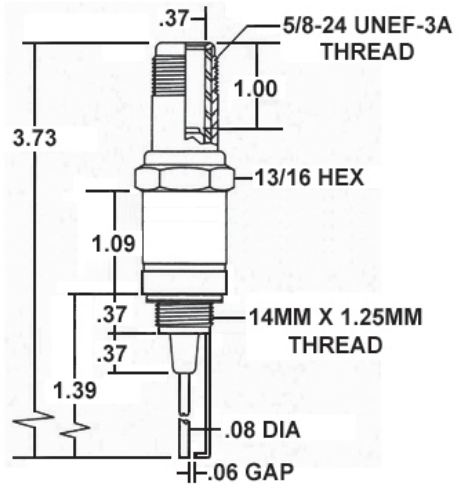
NOTE: Crown generic available: CA488



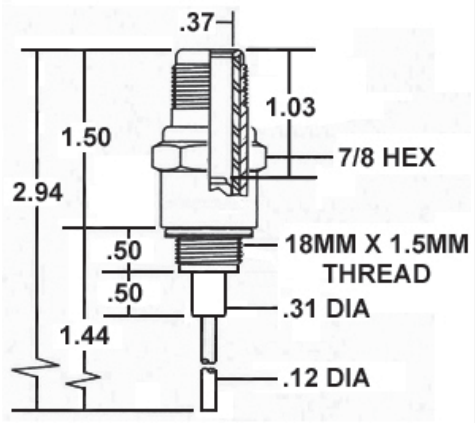
SI-140



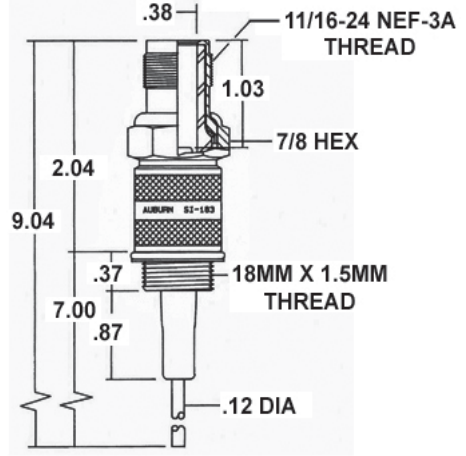
SI-141



SI-142



SI-180



SI-183

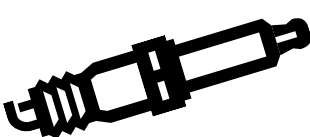
A & J,H,S oil pump strainers and gaskets - GTO cable 7mm Industrial igniters - Gaskets - Electrodes & tune up kits - and leads - Champion spark plugs - Pump couplers B & G - gaskets - Gauge glass valves with rods - High temperature ceramic fiber rope - Industrial igniters & flame rods - Ignition terminal and transformer kits - Miller plate & flange gaskets - Pump test kit - O.E.M. electrodes and igniters - Oil burner nozzles & adapters - Spin-On oil filters - Pioneer burner couplers - and much more!

- Oil De-aerator - Auburn® Products - Red Silicone cable 7mm Blowout gun and CO² chargers - Buss bars - Cad cell eyes Ignition terminals & kits - Setting gauges - Gaskets and cover

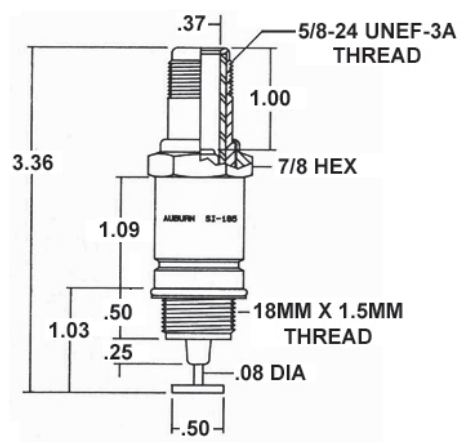


Your Single Source!

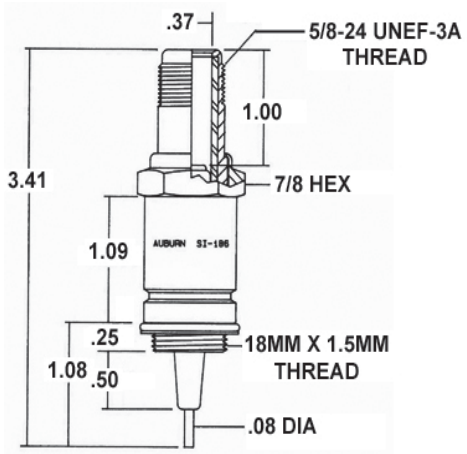
P.O. Box 846 - Farmingdale, NJ 07727



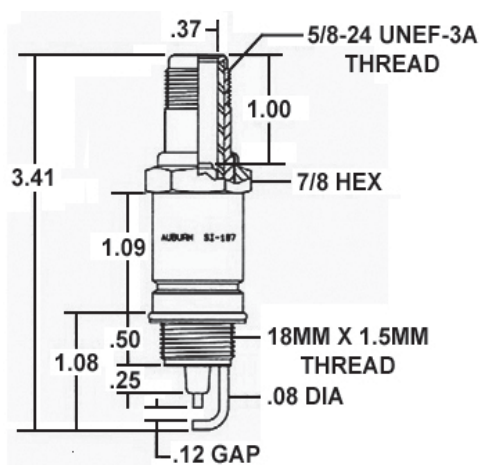
Customer Service
 * Tel: (800) 631-2153
 * Fax: (888) 645-7278
 www.crownengineering.com



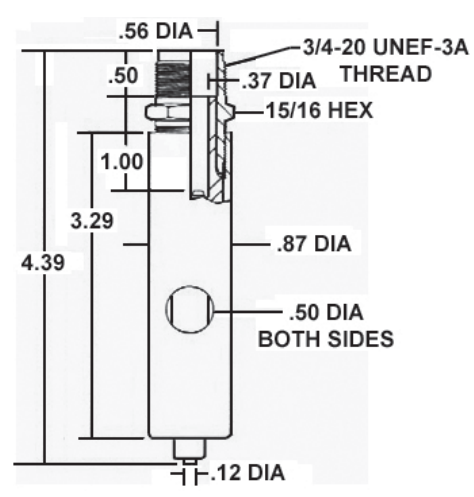
SI-185



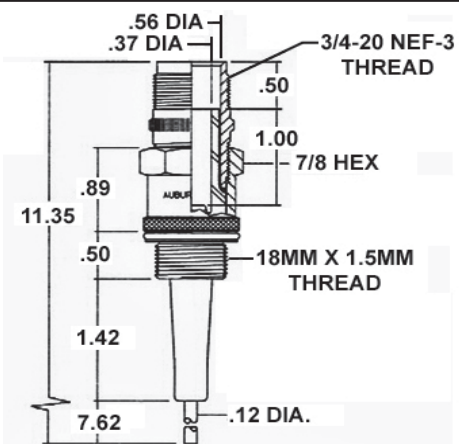
SI-186



SI-187

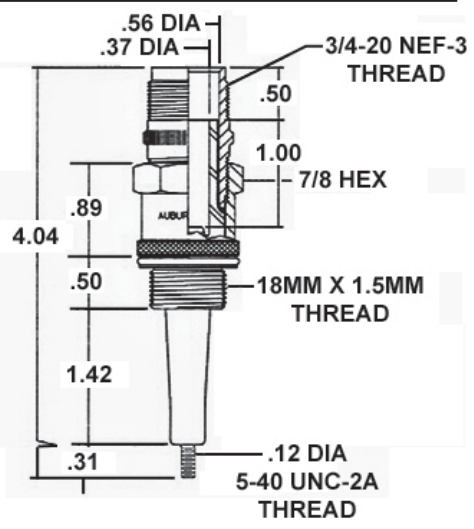


SI-230



CATALOG NO.	MATERIAL
SI-320	CRS (BLACK OXIDE)
SI-322	CRS-(CADMIUM PLATE)

SI-320 & SI-322



SI-322-1

If you cannot find or see what you're looking for...



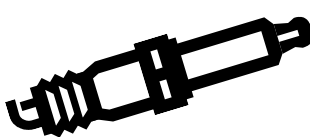
Call us toll free at: (800) 631-2153

Section 3 - Industrial Igniters & Flame Rods

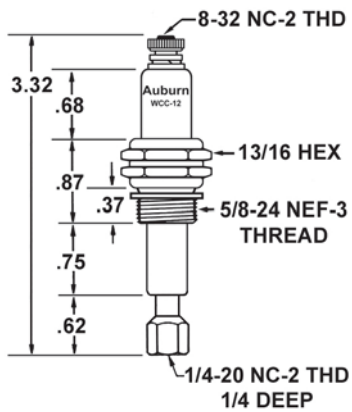


Your Single Source!

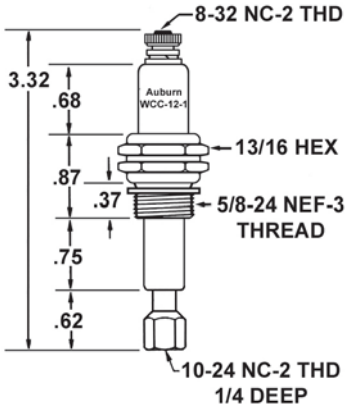
P.O. Box 846 - Farmingdale, NJ 07727



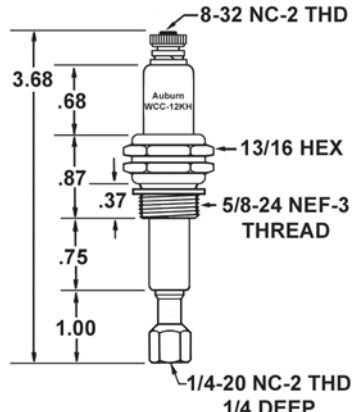
Customer Service
Tel: (800) 631-2153
Fax: (888) 645-7278
www.crownengineering.com



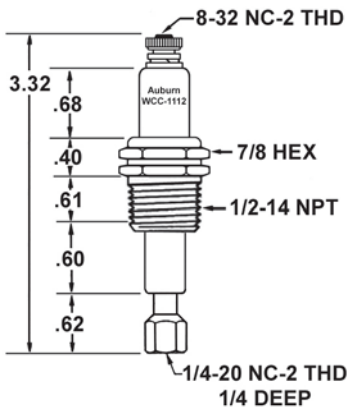
WCC-12



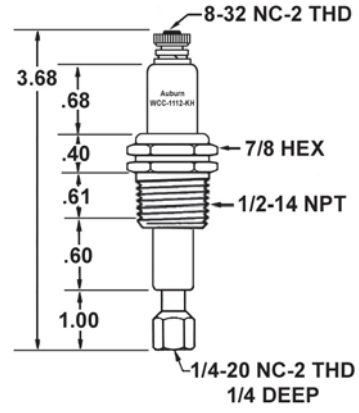
WCC-12-1



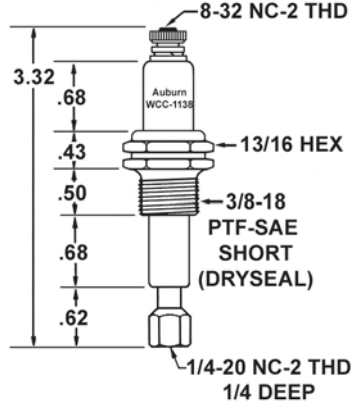
WCC-12KH



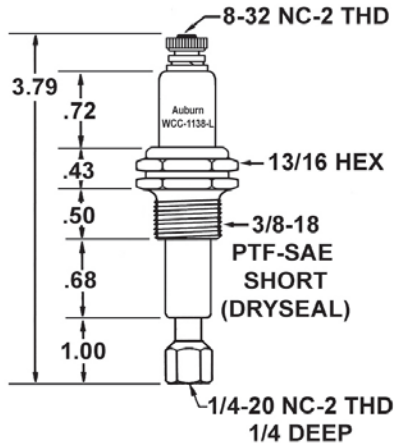
WCC-1112



WCC-1112-KH

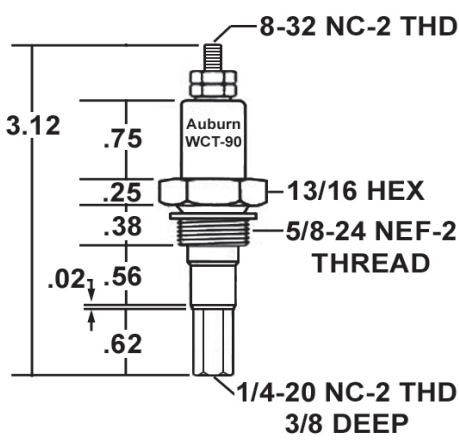


WCC-1138

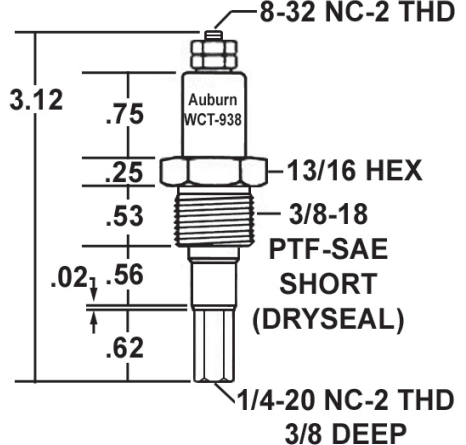


WCC-1138-L

NOTE: Replaces WCC-1138KH



WCT-90



WCT-938

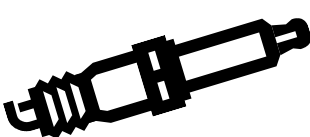
A & J,H,S oil pump strainers and gaskets - GTO cable 7mm Industrial igniters - Gaskets - Electrodes & tune up kits - and leads - Champion spark plugs - Pump couplers B & G - gaskets - Gauge glass valves with rods - High temperature ceramic fiber rope - Industrial igniters & flame rods - Ignition terminal and transformer kits - Miller plate & flange gaskets - Pump test kit - O.E.M. electrodes and igniters - Oil burner nozzles & adapters - Spin-On oil filters - Pioneer burner couplers - and much more!

- Oil De-aerator - Auburn® Products - Red Silicone cable 7mm Blowout gun and CO² chargers - Buss bars - Cad cell eyes Ignition terminals & kits - Setting gauges - Gaskets and cover

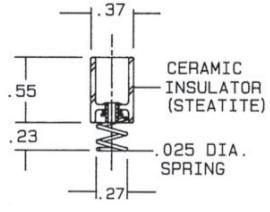


Your Single Source!

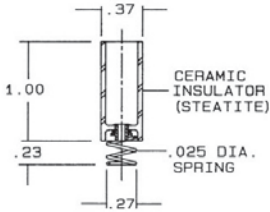
P.O. Box 846 - Farmingdale, NJ 07727



Customer Service
 * Tel: (800) 631-2153
 * Fax: (888) 645-7278
 www.crownengineering.com



1041-C
Ceramic terminal connector



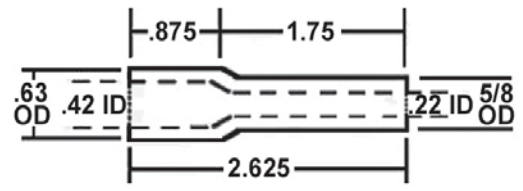
1099-C
Ceramic terminal connector



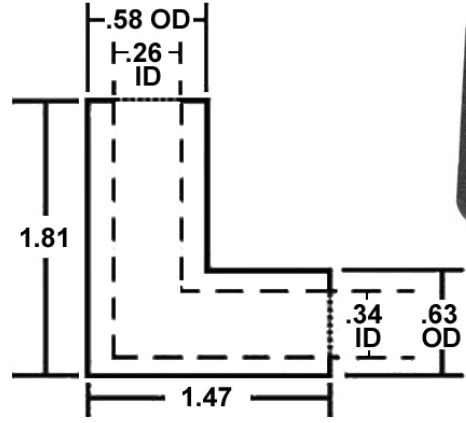
PROTECTOR BOOT		
USED ON	CATALOG NO.	MATERIAL
Flame Rods	022046	Black Silicone

SPECIFICATIONS:
 Overall length: 2 3/8"
 Top ID: 1/4"
 Bottom ID: 1/2"
 Temp Rating: 300 Degrees Fahrenheit

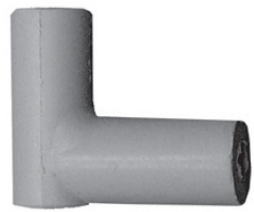
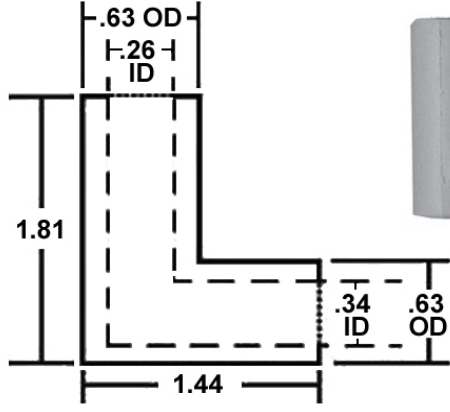
022046
"SI" Series Protector Boot



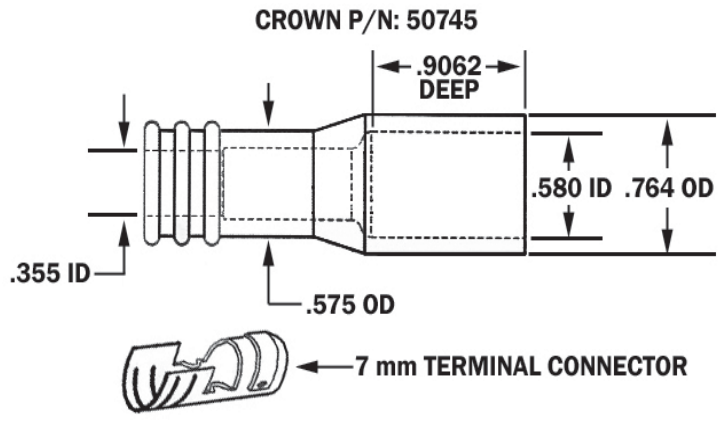
50740
Straight Silicone Boot
450°F Max. temperature rating
All dimensions are approximate



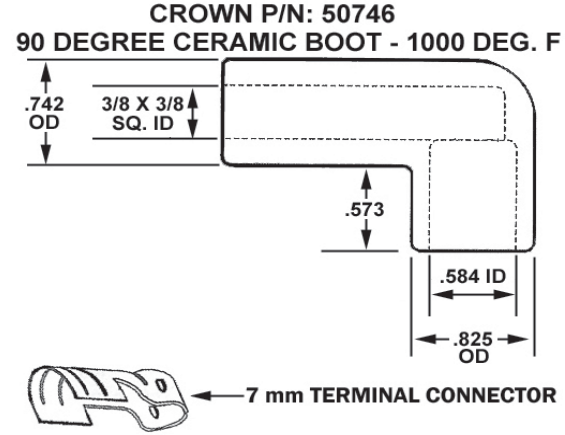
50741
90 Degree Silicone Boot
450°F Max. temperature rating
All dimensions are approximate



50742
90 Degree Silicone Boot
450°F Max. temperature rating
All dimensions are approximate

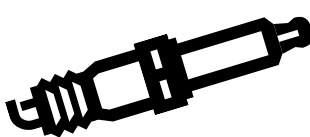


50745
Straight Ceramic Boot
1000°F Max. temperature rating



50746
90 Degree Ceramic Boot
1000°F Max. temperature rating

Section 3 - Industrial Igniters & Flame Rods



Part Number(s):

- P-380 (3/4" hex with a 3/8"-18 thread - MOP 350 psi)
- P-500 (7/8" hex with a 1/2"-14 thread - MOP 275 psi)
- P-750 (1 1/8" hex with a 3/4"-14 thread - MOP 200 psi)
- P-1000 (1 3/8" hex with a 1"- 11 1/2" thread - MOP 150 psi)

Description: Observation Ports - Auburn

Packaging: Poly bagged & tagged

Includes: 1 - observation port from the above list.
Unsurpassed quality! Our ports offer unitized cico-weld construction with no organic gasket. Our one piece design is compact and leakproof at high temperatures and pressures. Maximum operating temperature is 400 degrees Fahrenheit. Maximum operating pressure (MOP) range from 150 thru 350 psi as specified above.



Part Number(s):

- P-380-L (3/4" HEX x 3/4" NPT TH'D. - 500 psi)
- P-500-L (27/32" HEX x 1/2" NPT TH'D. - 500 psi)
- P-750-L (1 1/16" HEX x 3/4" NPT TH'D. - 500 psi)
- P-1000-L (1 3/8" HEX x 1" NPT TH'D. - 500 psi)
- P-1140-L (1 3/4" HEX x 1 1/4" NPT TH'D. - 500 psi)
- P-1122-L (2" HEX x 1 1/2" NPT TH'D. - 500 psi)

Description: Observation Ports - Lenz Brand

Packaging: Poly bagged & tagged

Includes: 1 - observation port from the above list.
Quality one piece construction. Cold rolled steel with electroless nickel plate. Bora Silica lens is heated and molded into shell body for superior sealing. Ports have Buna seals and are compatible with petroleum based fluids, gasoline, lube oil fuel and a variety of solvents.

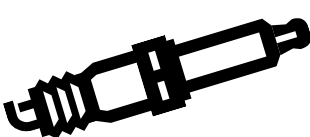


Made of quality brass and stainless steel all our probes have a standard length of 24" with a threaded end.

Our probes give you the reach you need and can be cut to size in the field if it's too long.

Crown Part Number	Probe Diameter	Probe Thread Size	Material Type
40001B	3/16"	10-24	Brass
40002B	1/4"	1/4-20	Brass
40003B	3/8"	3/8-16	Brass
40001S	3/16"	10-24	Stainless Steel
40002S	1/4"	1/4-20	Stainless Steel
40003S	3/8"	3/8-16	Stainless Steel



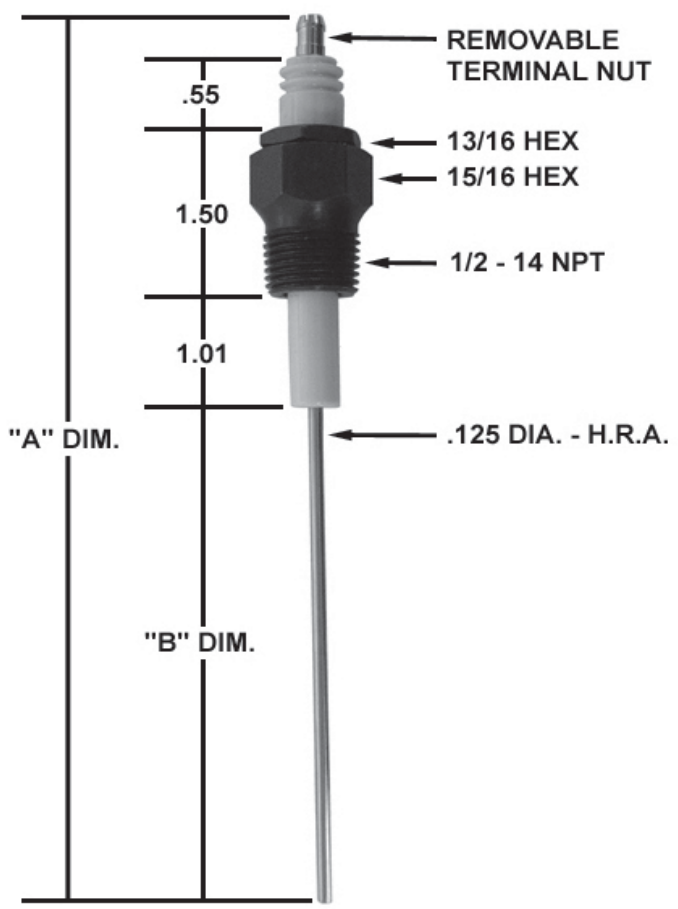


Crown Engineering Corporation, the original OEM manufacturer of electrodes, igniters, and flame rods for oil and gas burners, is proud to announce it's new line of industrial igniters and flame rods.

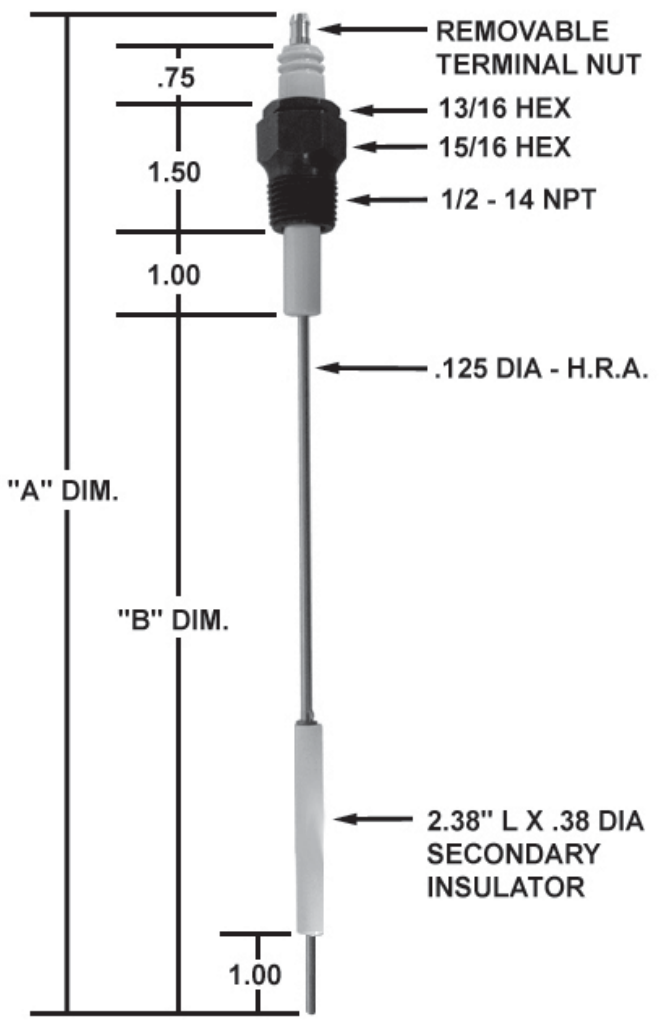
Never before has Crown's quality and workmanship been so evident, as in our NEW industrial line of igniters and flame rods. You can select from a wide variety of stocked items in this catalog or we can B.T.O. (build to order) against your submitted samples and/or drawings...your choice!

Our industrial igniters and flame rods match the original OEM critical specs from the seat of the gland nut to the tip of the center wire or from the end of the gland nut thread to the tip of the center wire, whichever is applicable. Our protruding insulator length or over-all length proves to be of no significance in the field application. All of our igniters are made of high quality heat resistant alloy (H.R.A.) center wires and grade L3 Steatite glazed insulators (except wherever noted). In high pressure applications center wires are cemented in place and Viton® O-rings are included inside the gland nut assemblies. We look forward to serving all your industrial application needs.

Flame Rod Note: Flame rods are for low voltage applications and are not to be used as spark igniters. They should not be used with transformers, the porcelain will fail.



PART NUMBER	"A" DIM.	"B" DIM.	REPLACES
CA100	8.00	4.50	I-2
CA101	15.50	12.00	I-2-1
CA102	27.50	24.00	I-2-2
CA103	39.50	36.00	I-2-36
CA104	51.50	48.00	I-2-48
CA105	21.50	18.00	I-2-18
CA106	41.56	38.00	I-2-38
CA109	54.56	51.00	I-2-51



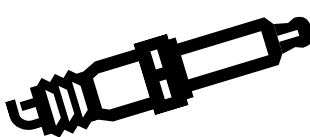
PART NUMBER	"A" DIM.	"B" DIM.	REPLACES
CA107	11.50	8.00	I-2-EI-1
CA108	19.25	15.75	I-2-EI-2

Section 3 - Industrial Igniters & Flame Rods

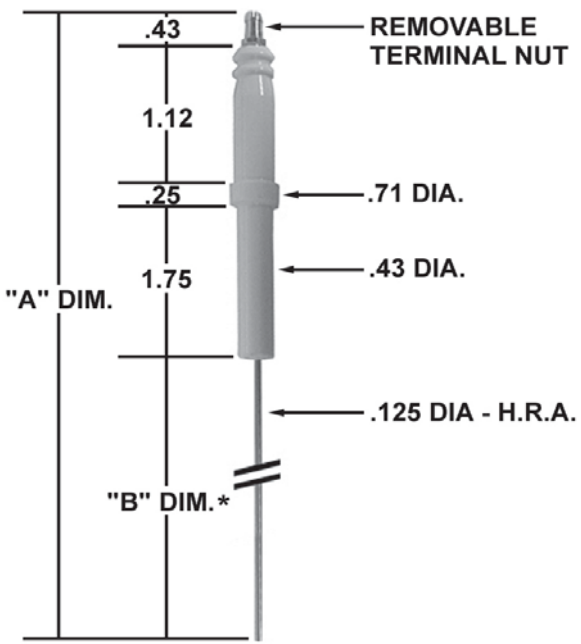


Your Single Source!

P.O. Box 846 - Farmingdale, NJ 07727

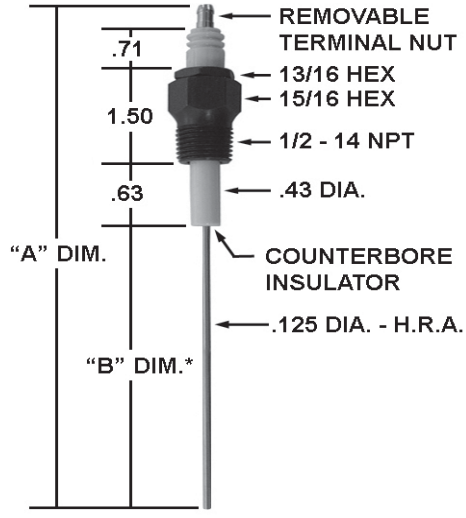


Customer Service
 * Tel: (800) 631-2153
 * Fax: (888) 645-7278
 www.crownengineering.com



PART NUMBER	"A" DIM.	"B" DIM.	REPLACES
CA120	8.00	4.50	I-2 INS
CA121	15.50	12.00	I-2-1 INS
CA122	27.50	24.00	I-2-2 INS

* NOTE: Other tip lengths are available



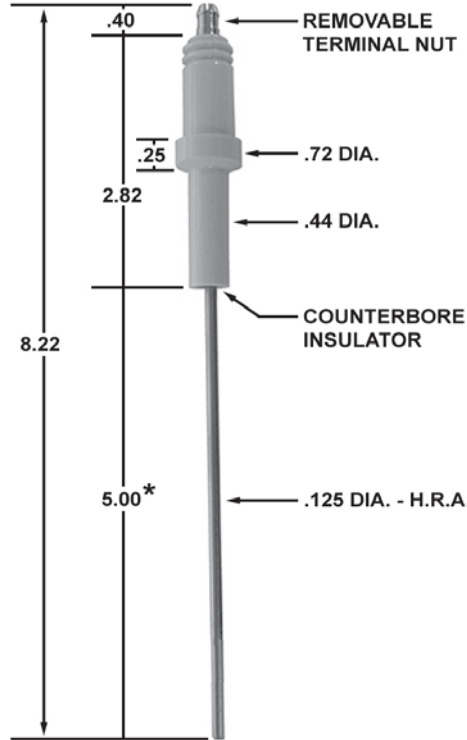
PART NUMBER	"A" DIM.	"B" DIM.	REPLACES
CA140	8.14	4.90	I-6
CA141	9.24	6.00	I-6-6
CA142	15.24	12.00	I-6-12
CA143	21.24	18.00	I-6-18
CA144	27.24	24.00	I-6-24
CA145	38.24	35.00	I-6-35
CA146	51.24	48.00	I-6-48
CA154	3.99	0.75	I-6 SPEC.

* NOTE: Other tip lengths are available



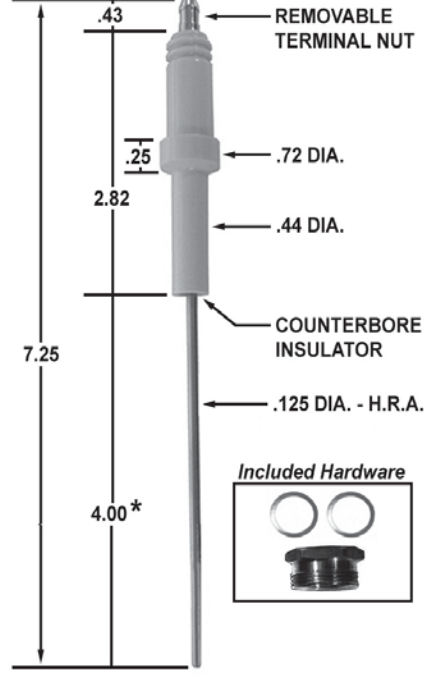
CA155
Industrial Igniter - Special

* NOTE: Other tip lengths are available



CA160
Replaces Auburn #: I-6 INS

* NOTE: Other tip lengths are available



CA180
Replaces Auburn #: IA-9

* NOTE: Other tip lengths are available

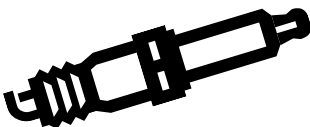
A & J,H,S oil pump strainers and gaskets - GTO cable 7mm Industrial igniters - Gaskets - Electrodes & tune up kits - and leads - Champion spark plugs - Pump couplers B & G - gaskets - Gauge glass valves with rods - High temperature ceramic fiber rope - Industrial igniters & flame rods - Ignition terminal and transformer kits - Miller plate & flange gaskets - Pump test kit - O.E.M. electrodes and igniters - Oil burner nozzles & adapters - Spin-On oil filters - Pioneer burner couplers - and much more!

- Oil De-aerator - Auburn® Products - Red Silicone cable 7mm Blowout gun and CO² chargers - Buss bars - Cad cell eyes Ignition terminals & kits - Setting gauges - Gaskets and cover

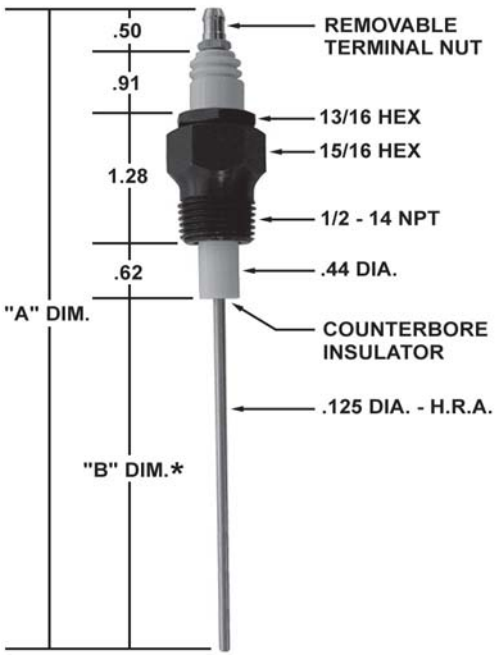


Your Single Source!

P.O. Box 846 - Farmingdale, NJ 07727

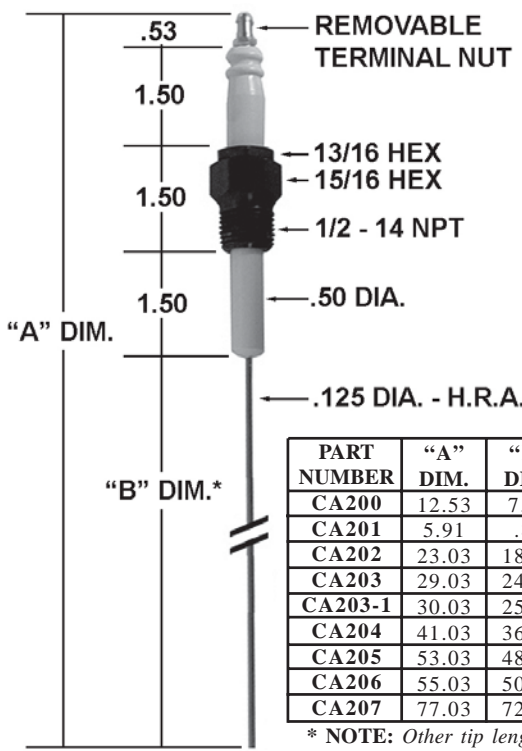


Customer Service
 * Tel: (800) 631-2153
 * Fax: (888) 645-7278
 www.crownengineering.com



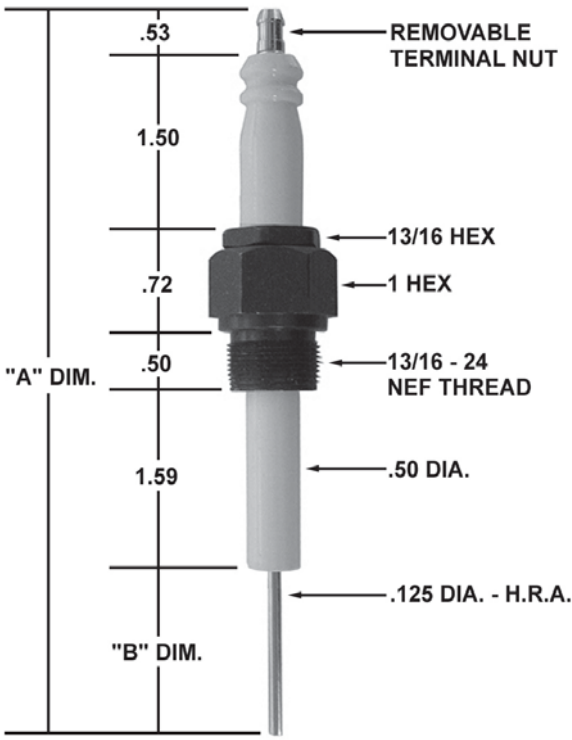
PART NUMBER	"A" DIM.	"B" DIM.	REPLACES
CA190	7.34	4.03	IP-9
CA191	16.31	13.00	IP-9-13
CA192	9.31	6.00	IP-9-6
CA195	27.31	24.00	IP-9-24

* NOTE: Other tip lengths are available

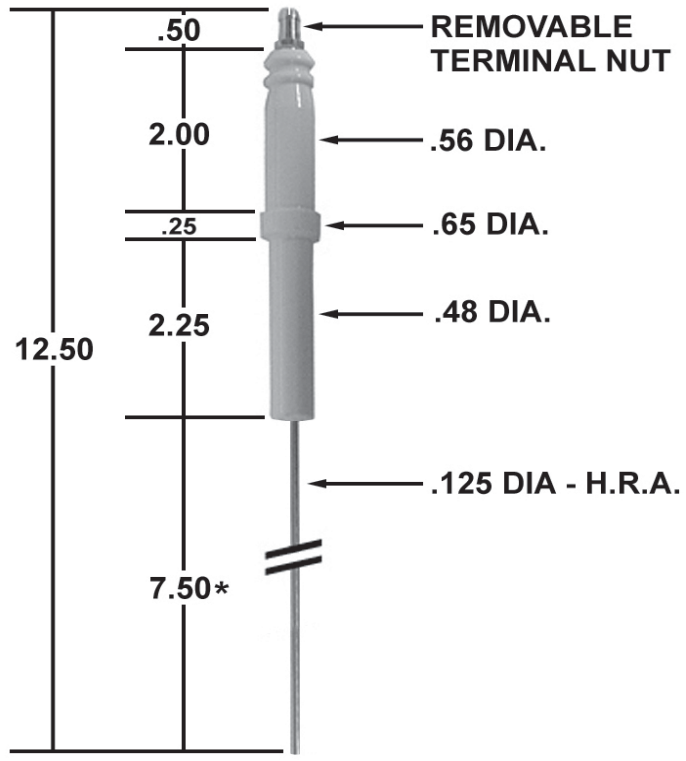


PART NUMBER	"A" DIM.	"B" DIM.	REPLACES
CA200	12.53	7.50	I-18
CA201	5.91	.88	I-18-2.38
CA202	23.03	18.00	I-18-18
CA203	29.03	24.00	I-18-24
CA203-1	30.03	25.00	I-18-25
CA204	41.03	36.00	I-18-36
CA205	53.03	48.00	I-18-48
CA206	55.03	50.00	I-18-50
CA207	77.03	72.00	I-18-72

* NOTE: Other tip lengths are available



PART NUMBER	"A" DIM.	"B" DIM.	REPLACES
CA210	6.27	1.43	I-18-14
CA211	7.84	3.00	I-18-14-3



CA220

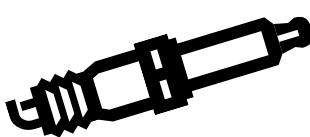
* NOTE: Other tip lengths are available

Section 3 - Industrial Igniters & Flame Rods

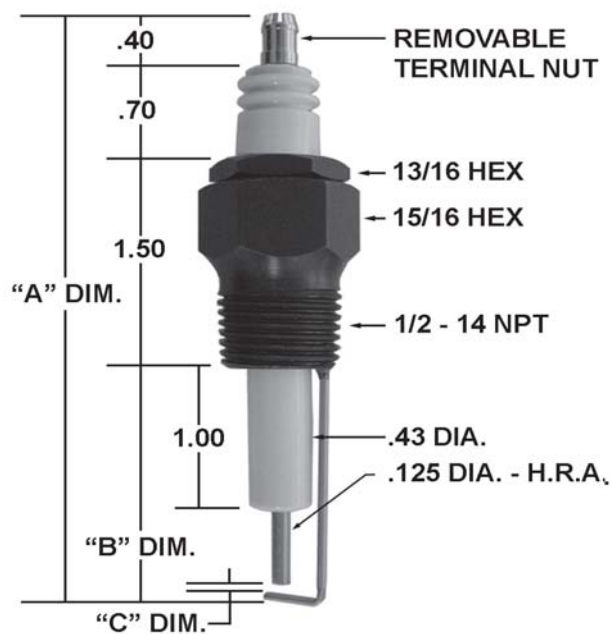


Your Single Source!

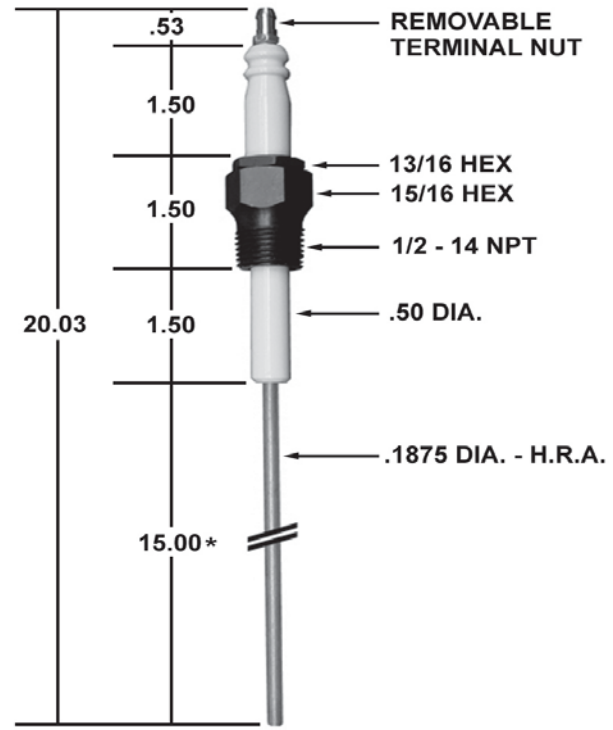
P.O. Box 846 - Farmingdale, NJ 07727



Customer Service
 * Tel: (800) 631-2153
 * Fax: (888) 645-7278
 www.crownengineering.com



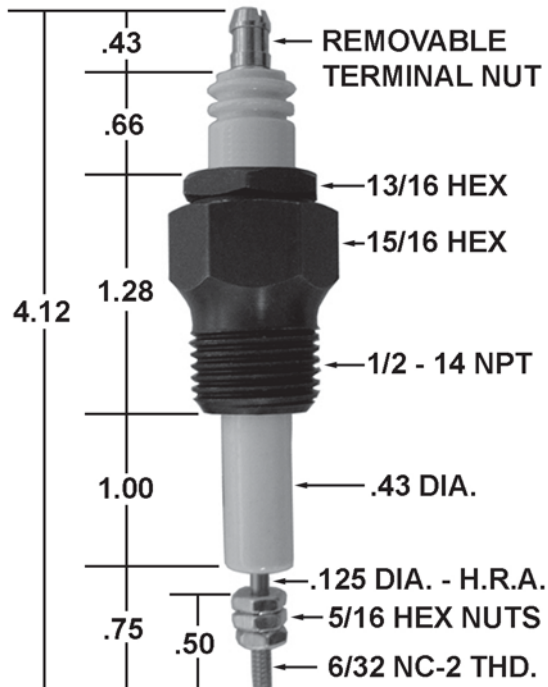
PART NUMBER	"A" DIM.	"B" DIM.	"C" DIM.	REPLACES
CA230	4.32	1.72	.09	I-25
CA231	6.35	3.75	.09	I-25-3
CA232	6.73	3.13	.12	12568
CA233	7.15	4.55	.12	17396
CA235	7.72	5.12	.06	17652



CA240

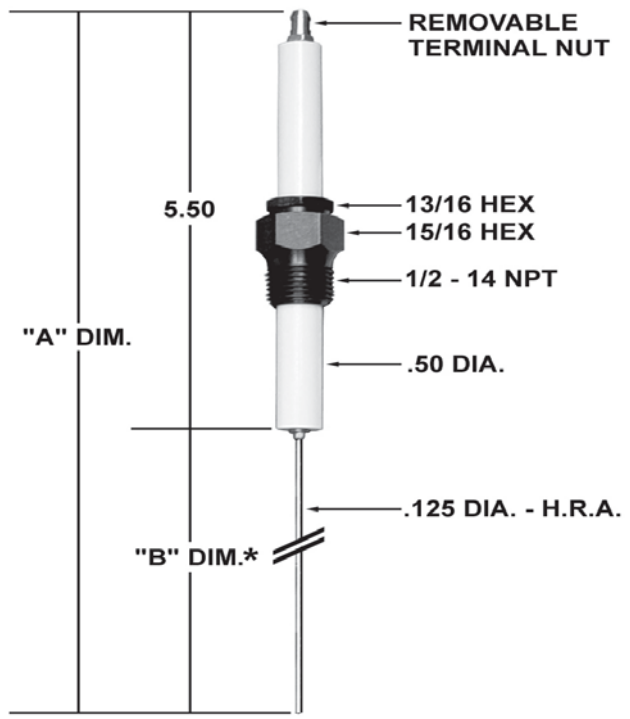
Replaces Auburn #: I-18K

* NOTE: Other tip lengths are available



CA250

Replaces Auburn #: F-68



PART NUMBER	"A" DIM.	"B" DIM.	REPLACES
CA260	12.03	6.00	IP-15
CA262	22.03	16.00	IP-15-16

* NOTE: Other tip lengths are available

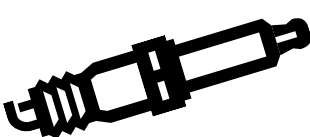
A & J,H,S oil pump strainers and gaskets - GTO cable 7mm Industrial igniters - Gaskets - Electrodes & tune up kits - and leads - Champion spark plugs - Pump couplers B & G - gaskets - Gauge glass valves with rods - High temperature ceramic fiber rope - Industrial igniters & flame rods - Ignition terminal and transformer kits - Miller plate & flange gaskets - Pump test kit - O.E.M. electrodes and igniters - Oil burner nozzles & adapters - Spin-On oil filters - Pioneer burner couplers - and much more!

- Oil De-aerator - Auburn® Products - Red Silicone cable 7mm Blowout gun and CO² chargers - Buss bars - Cad cell eyes Ignition terminals & kits - Setting gauges - Gaskets and cover

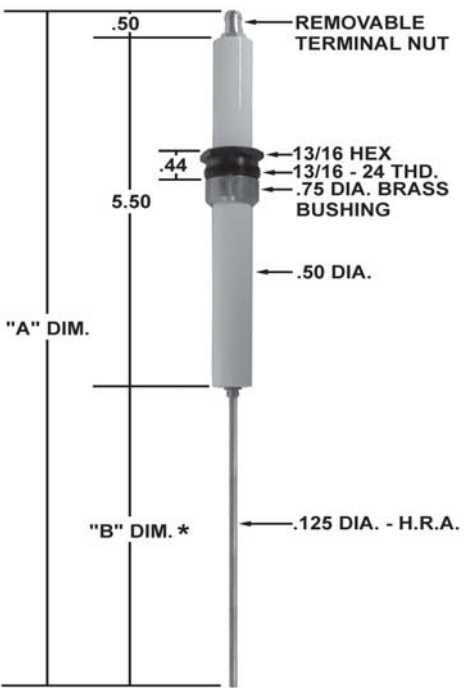


Your Single Source!

P.O. Box 846 - Farmingdale, NJ 07727

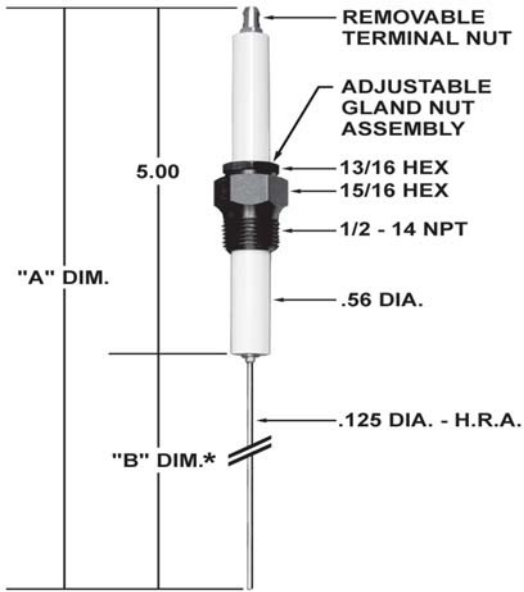


Customer Service
 " Tel: (800) 631-2153
 " Fax: (888) 645-7278
 www.crownengineering.com



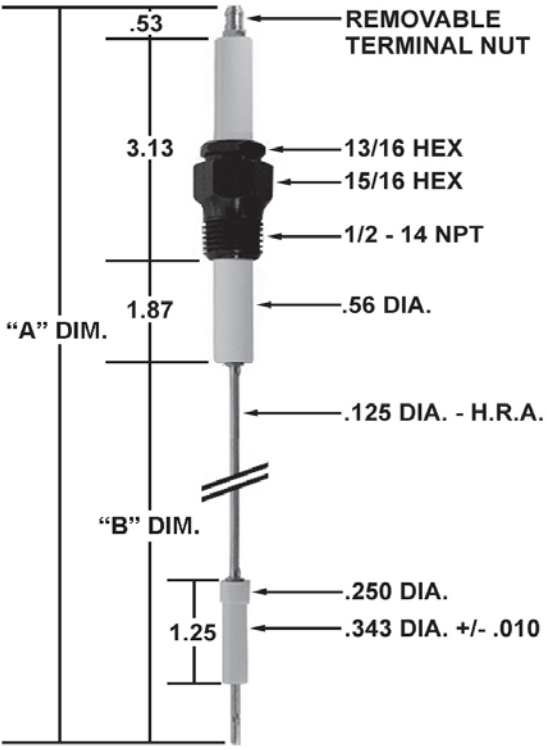
PART NUMBER	"A" DIM.	"B" DIM.	REPLACES
CA270	12.00	6.00	IA-15
CA280	11.21	5.21	IA-15-1

* NOTE: Other tip lengths are available

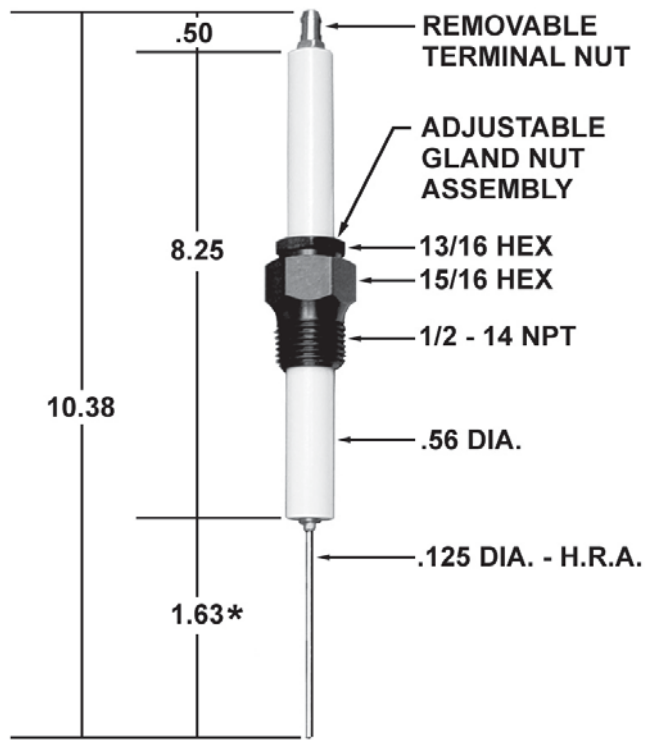


PART NUMBER	"A" DIM.	"B" DIM.	REPLACES
CA290	8.50	3.00	IP-16
CA291	11.50	6.00	IP-16-6
CA293	29.50	24.00	IP-16-24
CA294	35.50	30.00	IP-16-30
CA303	18.50	13.00	IP-16-13

* NOTE: Other tip lengths are available



PART NUMBER	"A" DIM.	"B" DIM.	REPLACES
CA304	18.78	13.25	IP-16-EI
CA305	11.75	6.25	IP-16-EI-1



CA310

Replaces Auburn #: IP-17

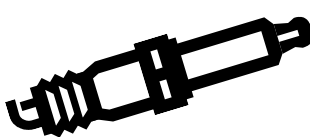
* NOTE: Other tip lengths are available

Section 3 - Industrial Igniters & Flame Rods

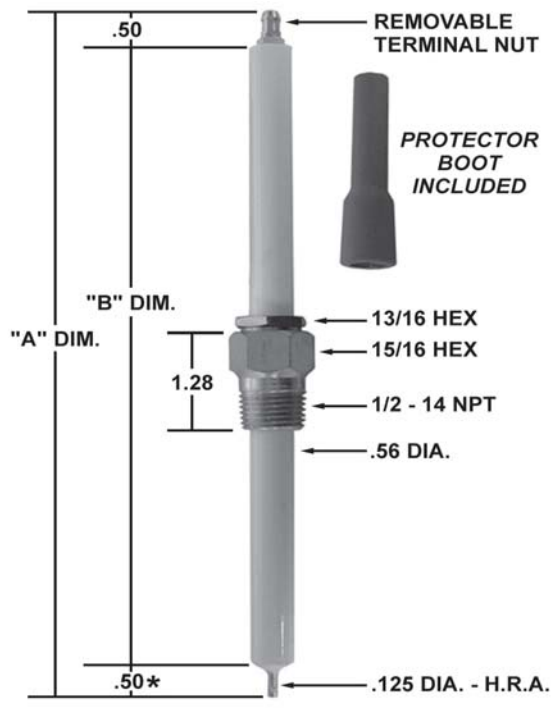


Your Single Source!

P.O. Box 846 - Farmingdale, NJ 07727

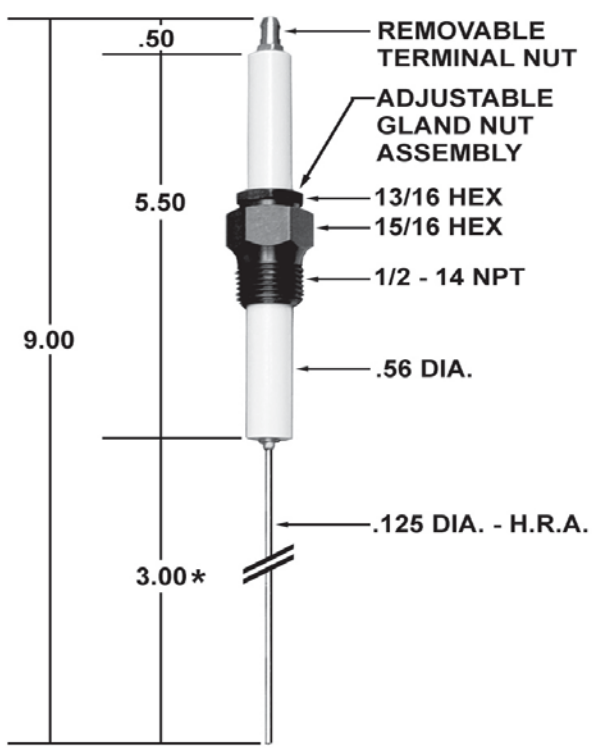


Customer Service
 * Tel: (800) 631-2153
 * Fax: (888) 645-7278
 www.crownengineering.com



PART NUMBER	"A" DIM.	"B" DIM.	REPLACES
CA311	9.28	8.25	IP-17-1
CA322	7.53	6.50	IP-18-1

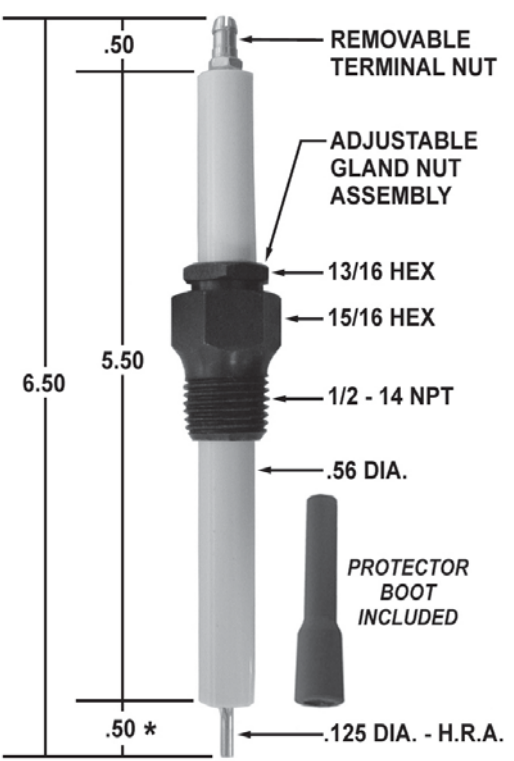
* NOTE: Other tip lengths are available



CA330

Replaces Auburn #: IP-19

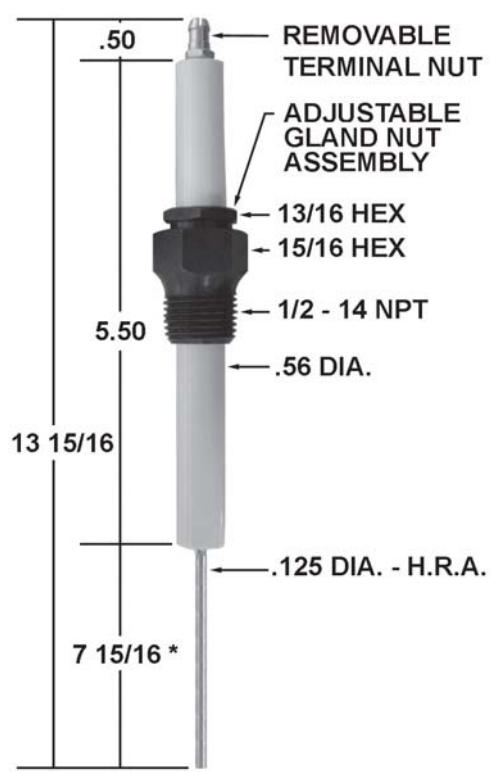
* NOTE: Other tip lengths are available



CA331

Replaces Auburn #: IP-19-1

* NOTE: Other tip lengths are available



CA333

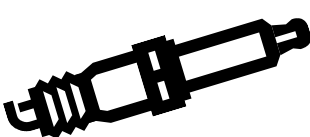
Replaces Auburn #: IP-19 with 7 15/16 tip

* NOTE: Other tip lengths are available

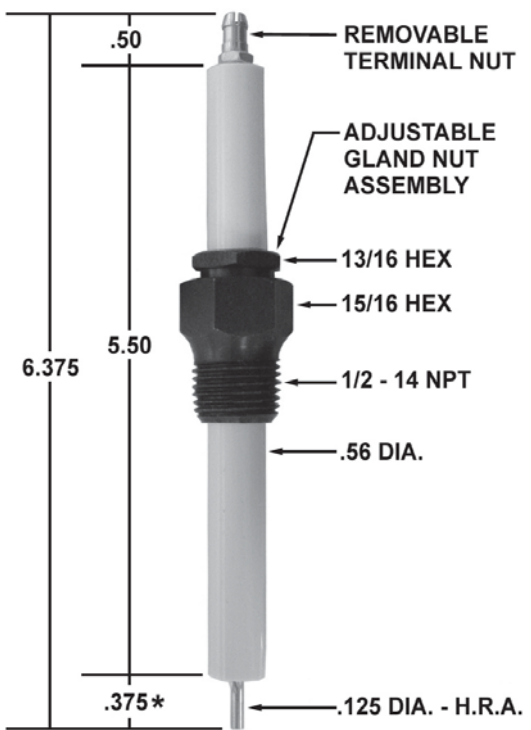


Your Single Source!

P.O. Box 846 - Farmingdale, NJ 07727



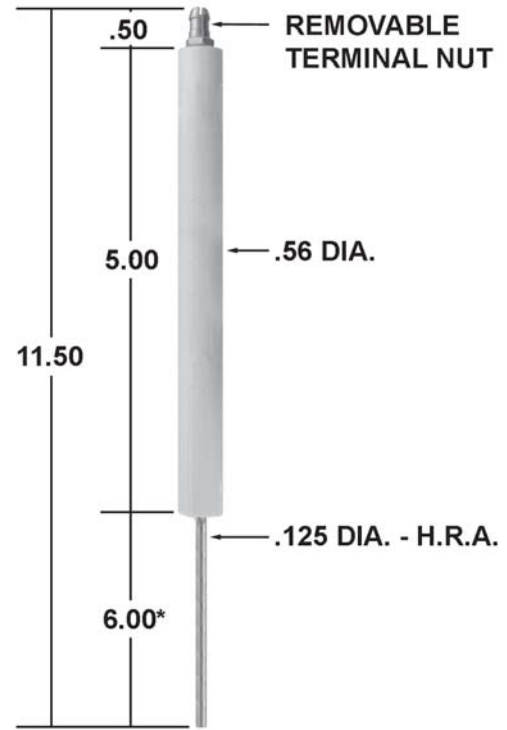
Customer Service
 * Tel: (800) 631-2153
 * Fax: (888) 645-7278
 www.crownengineering.com



CA341

Replaces Maxon #: 47232

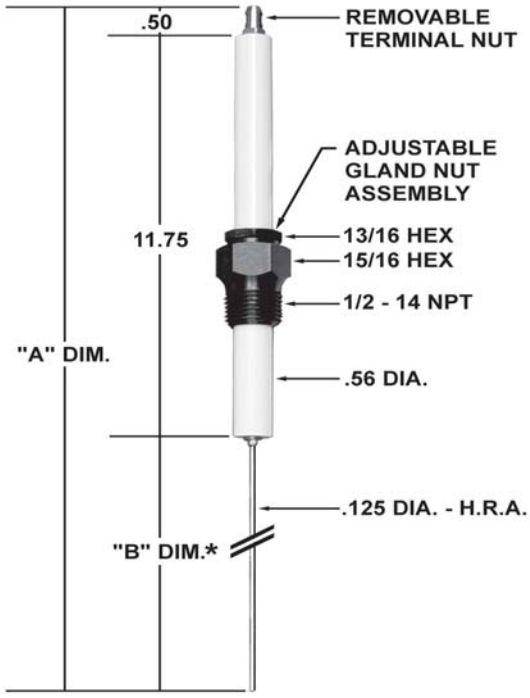
* NOTE: Other tip lengths are available



CA350

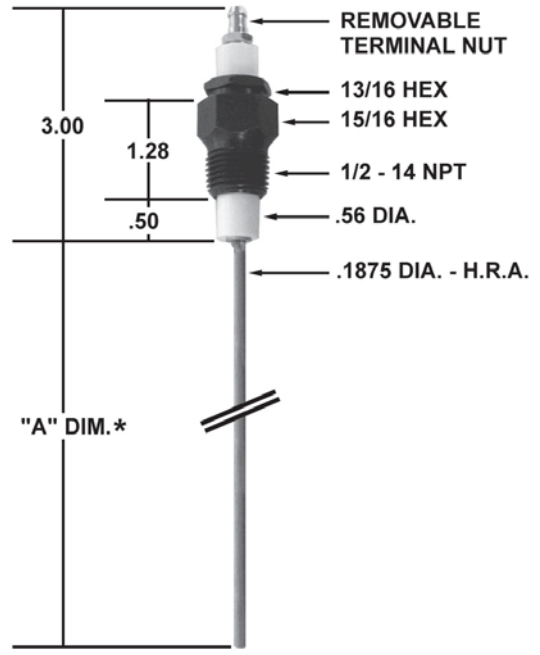
Replaces Auburn #: IA-16

* NOTE: Other tip lengths are available



PART NUMBER	"A" DIM.	"B" DIM.	REPLACES
CA370	22.25	10.00	I-5-99
CA377	46.25	34.00	I-5-99-34
CA378	60.25	48.00	I-5-99-48

* NOTE: Other tip lengths are available



PART NUMBER	"A" DIM.	REPLACES
CA390	6.00	FRS-2-6
CA391	12.00	FRS-2-12
CA392	18.00	FRS-2-18
CA393	24.00	FRS-2-24
CA394	36.00	FRS-2-36

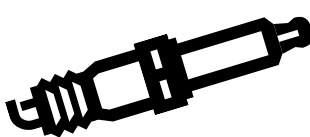
* NOTE: Other tip lengths are available

Section 3 - Industrial Igniters & Flame Rods

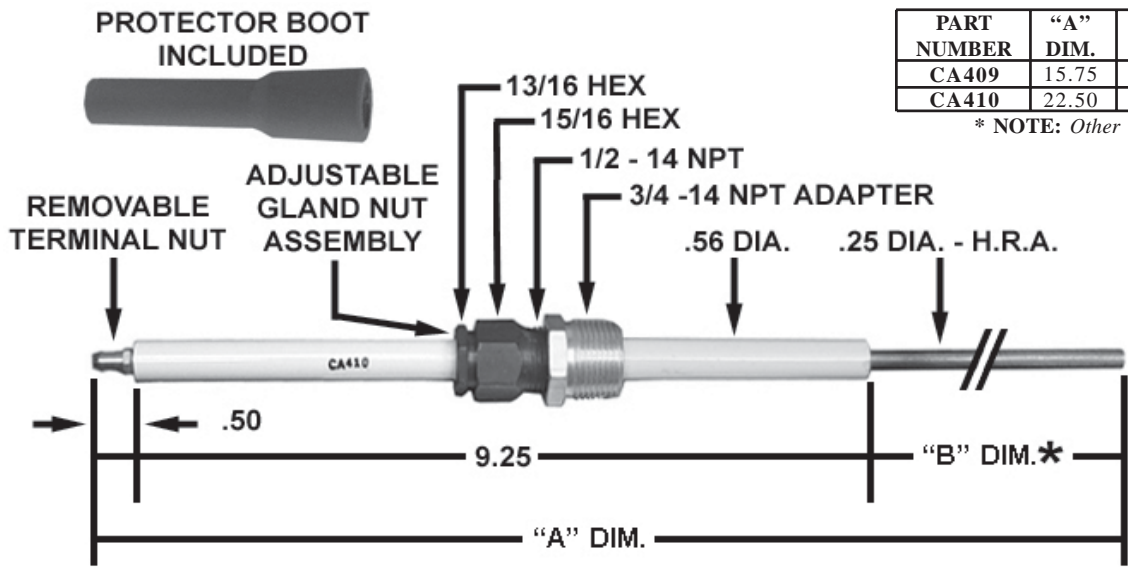


Your Single Source!

P.O. Box 846 - Farmingdale, NJ 07727

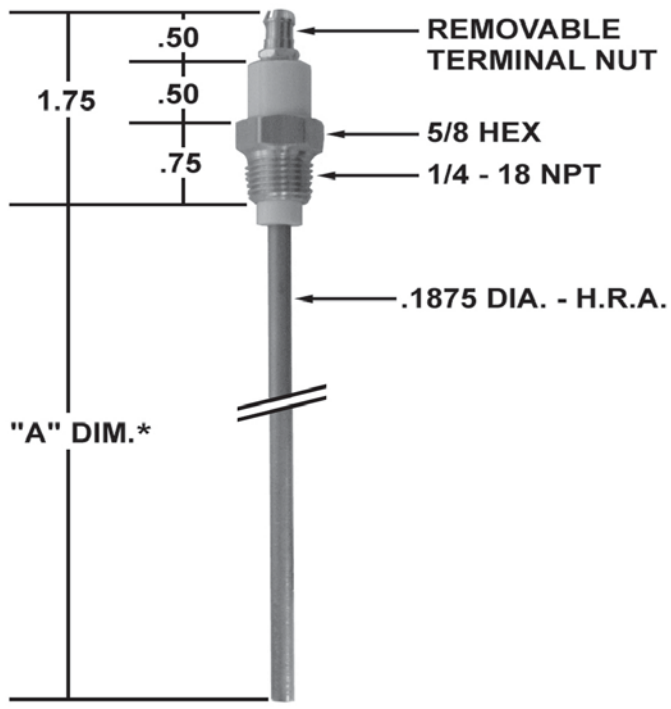


Customer Service
 • Tel: (800) 631-2153
 • Fax: (888) 645-7278
 www.crownengineering.com



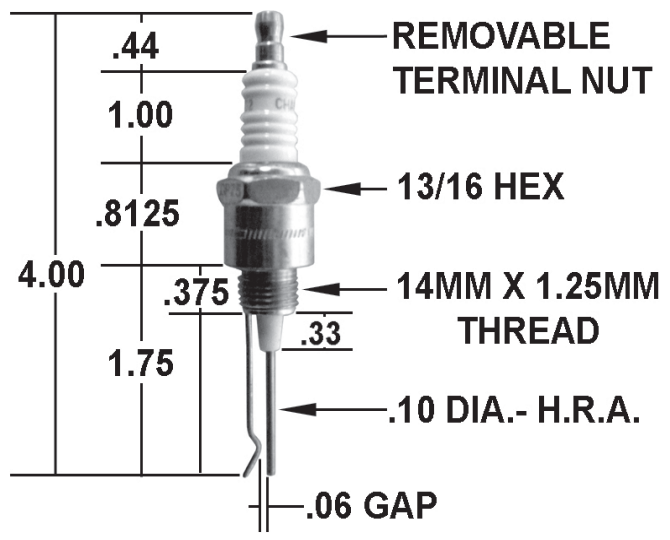
PART NUMBER	"A" DIM.	"B" DIM.	REPLACES
CA409	15.75	6.00	MAXON 43078
CA410	22.50	12.75	FRS-3

* NOTE: Other tip lengths are available

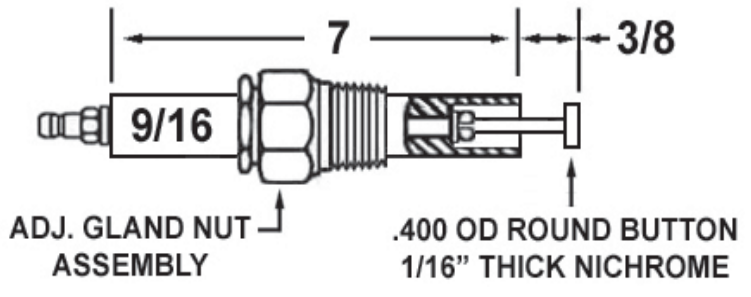


PART NUMBER	"A" DIM.	REPLACES
CA429	1.00	FRS-4-1
CA430	2.00	FRS-4-2
CA431	3.00	FRS-4-3
CA432	4.00	FRS-4-4
CA433	4.50	FRS-4-4.5
CA434	6.00	FRS-4-6
CA435	7.50	GP-18117
CA436	12.00	FRS-4-12
CA437	18.00	FRS-4-18
CA438	24.00	FRS-4-24
CA439	36.00	FRS-4-36
CA440	48.00	FRS-4-48
CA441	60.00	FRS-4-60

* NOTE: Other tip lengths are available



CA470
 Replaces Auburn #: I-3
 95% Alumina Ceramic



CA345
 Replaces Auburn #: IP-22 & Maxon 54376

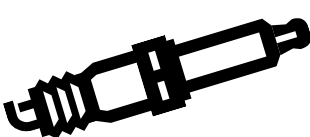
A & J,H,S oil pump strainers and gaskets - GTO cable 7mm Industrial igniters - Gaskets - Electrodes & tune up kits - and leads - Champion spark plugs - Pump couplers B & G - gaskets - Gauge glass valves with rods - High temperature ceramic fiber rope - Industrial igniters & flame rods - Ignition terminal and transformer kits - Miller plate & flange gaskets - Pump test kit - O.E.M. electrodes and igniters - Oil burner nozzles & adapters - Spin-On oil filters - Pioneer burner couplers - and much more!

- Oil De-aerator - Auburn® Products - Red Silicone cable 7mm Blowout gun and CO₂ chargers - Buss bars - Cad cell eyes Ignition terminals & kits - Setting gauges - Gaskets and cover

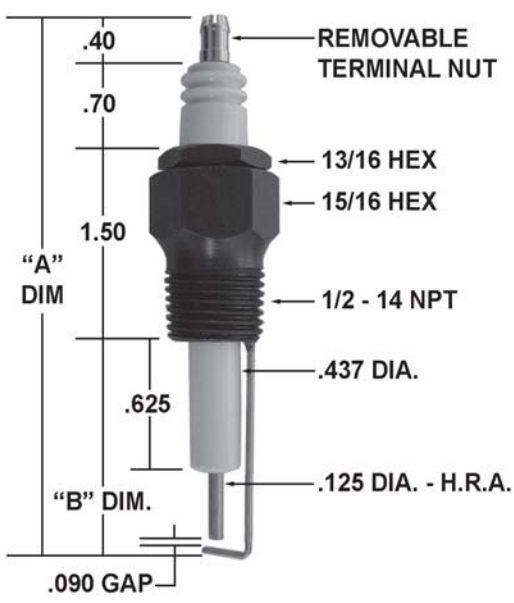


Your Single Source!

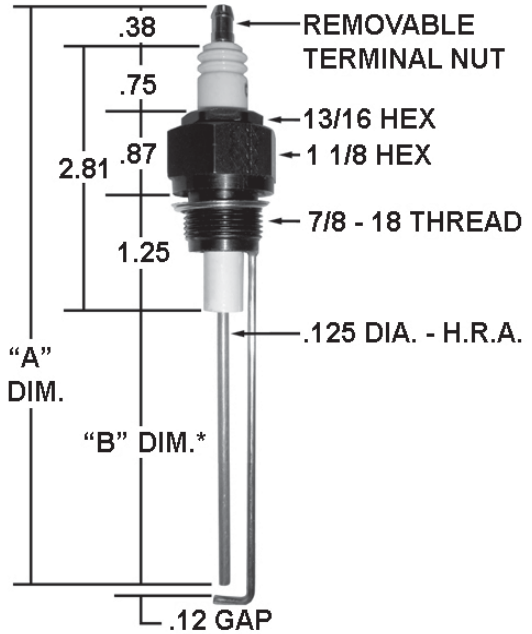
P.O. Box 846 - Farmingdale, NJ 07727



Customer Service
 * Tel: (800) 631-2153
 * Fax: (888) 645-7278
 www.crownengineering.com



PART NUMBER	"A" DIM.	"B" DIM.	REPLACES
CA475	4.25	1.72	I-64-1
CA476	4.46	1.93	I-64 SPECIAL
CA477	6.39	3.75	I-64-3
CA478	3.75	1.12	I-64-4
CA479	5.10	2.53	I-64-5

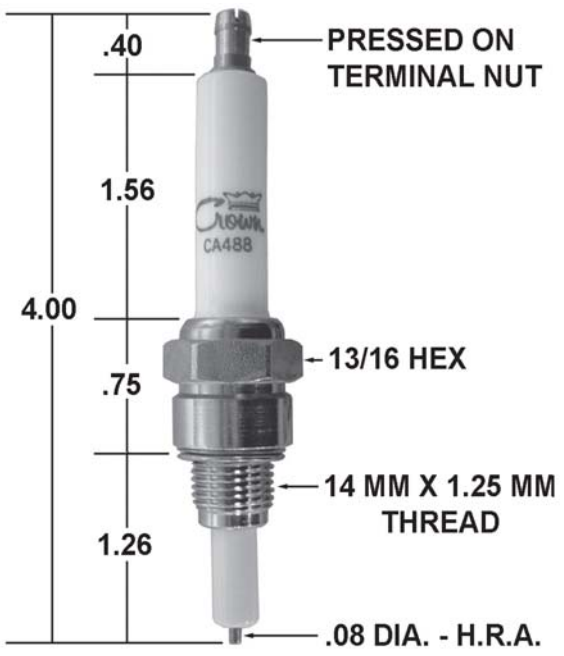


PART NUMBER	"A" DIM.	"B" DIM.	REPLACES
CA480	6.50	3.25	IC-9-2
CA481	5.50	1.87	IC-9-4
CA482	5.87	2.68	IC-9-5

* NOTE: Other tip lengths are available



CA485
 Replaces Auburn #: OJ-21-1



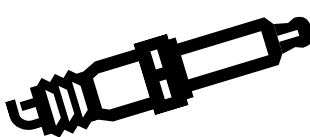
CA488
 Replaces Auburn #: OJ-21-4

Section 3 - Industrial Igniters & Flame Rods

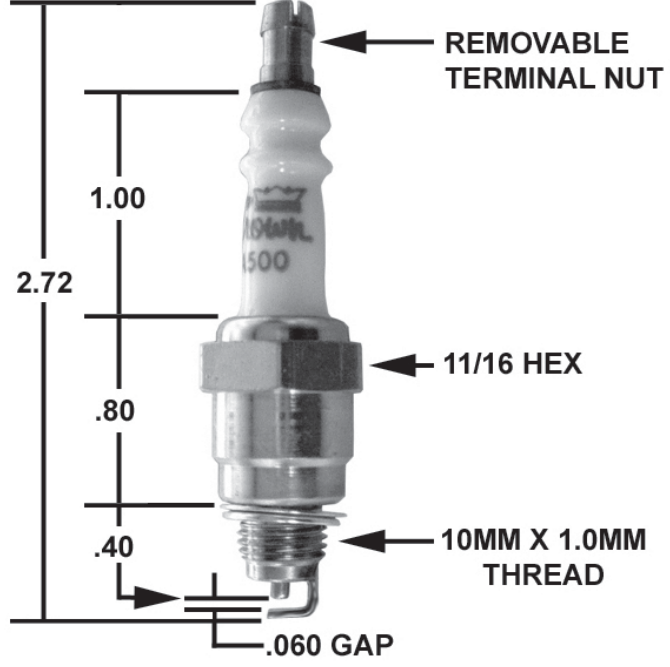
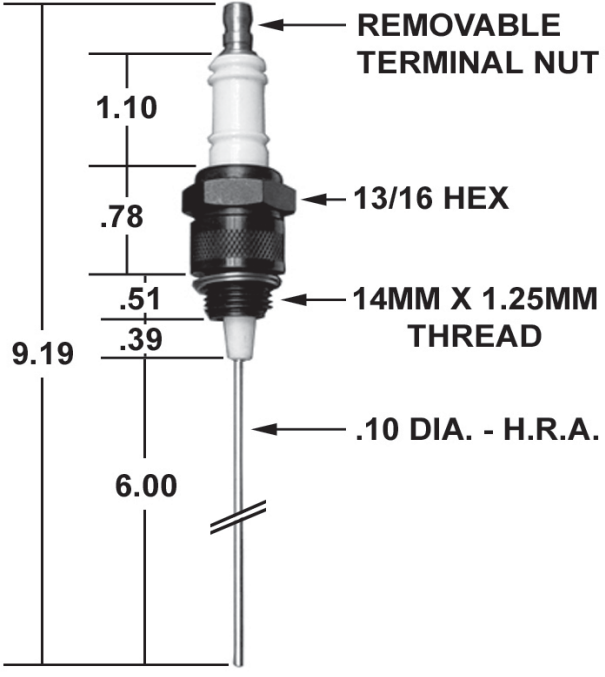
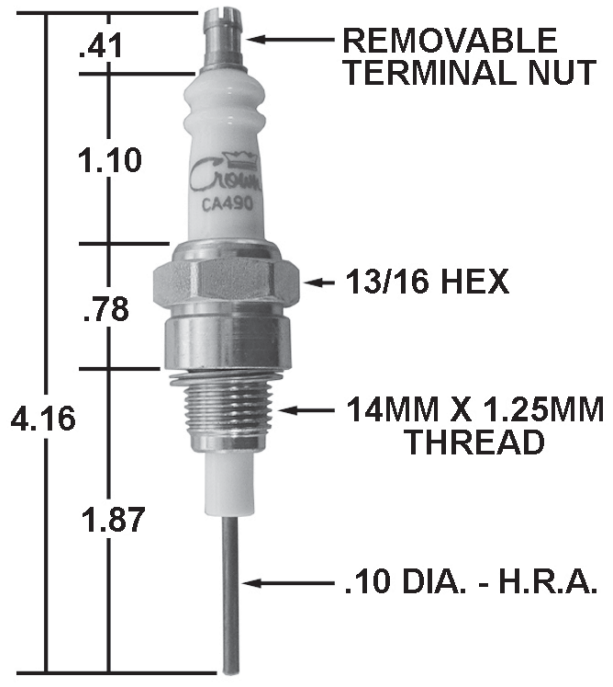
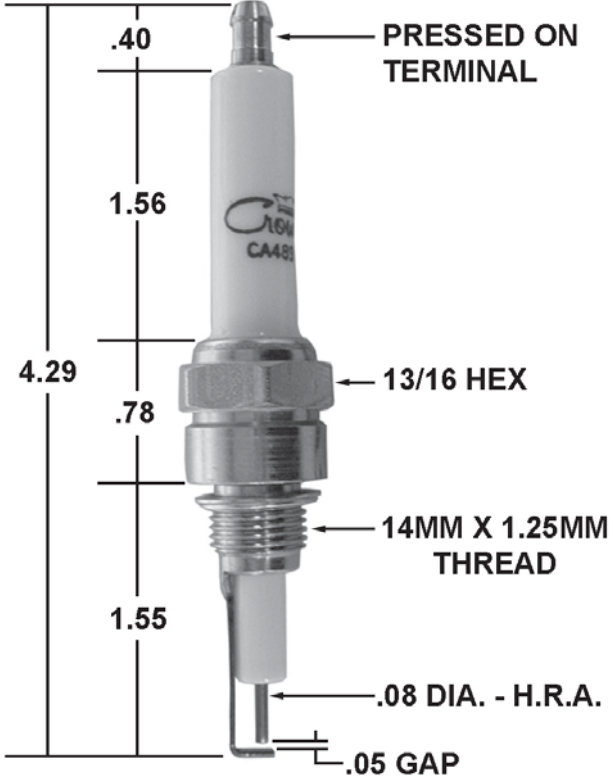


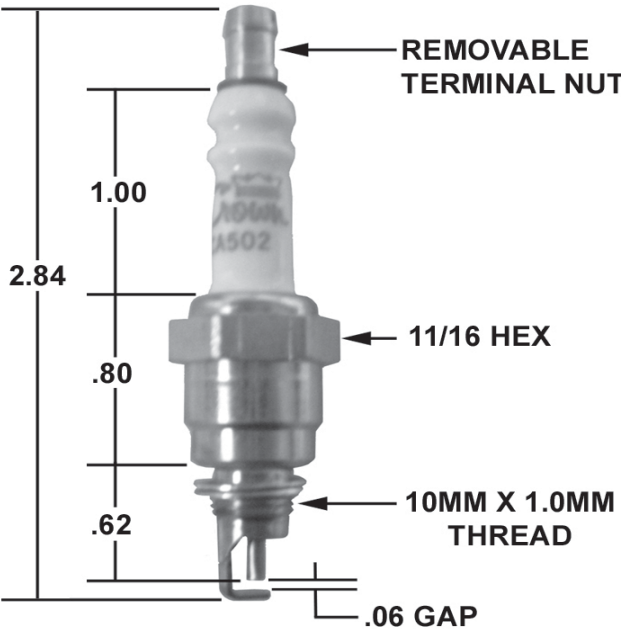
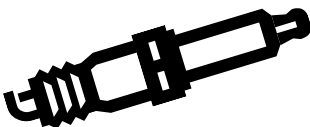
Your Single Source!

P.O. Box 846 - Farmingdale, NJ 07727

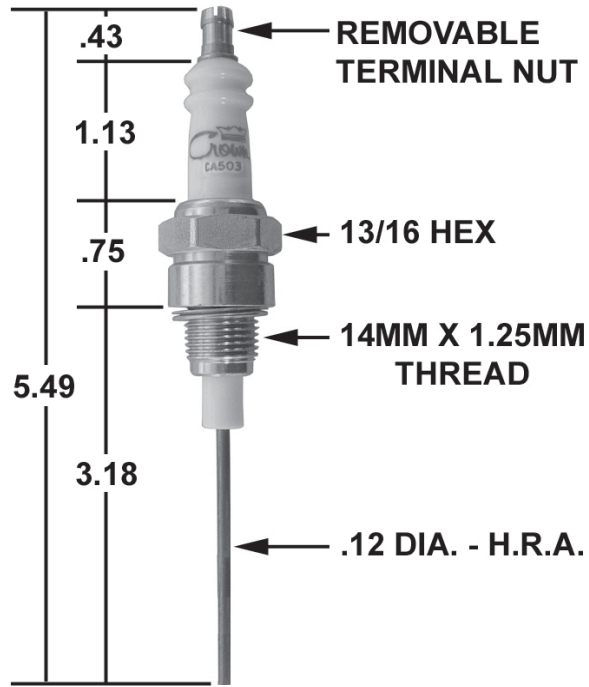


Customer Service
• Tel: (800) 631-2153
• Fax: (888) 645-7278
www.crownengineering.com

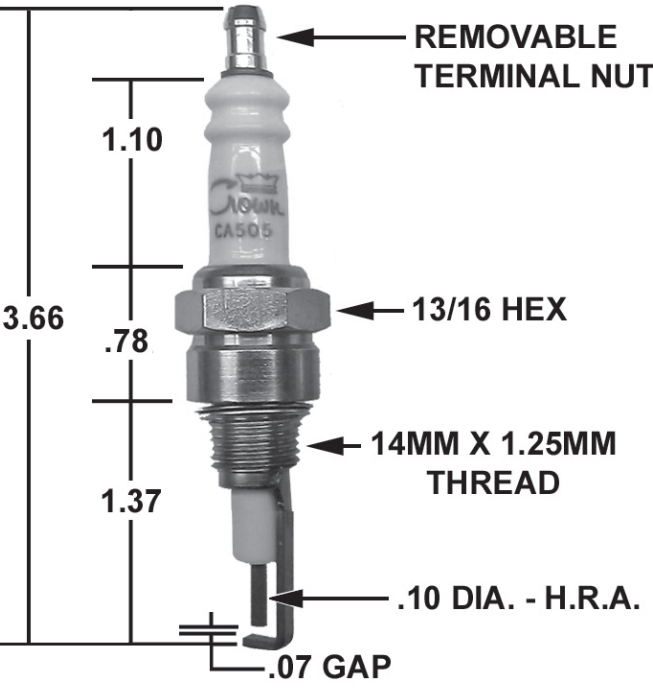




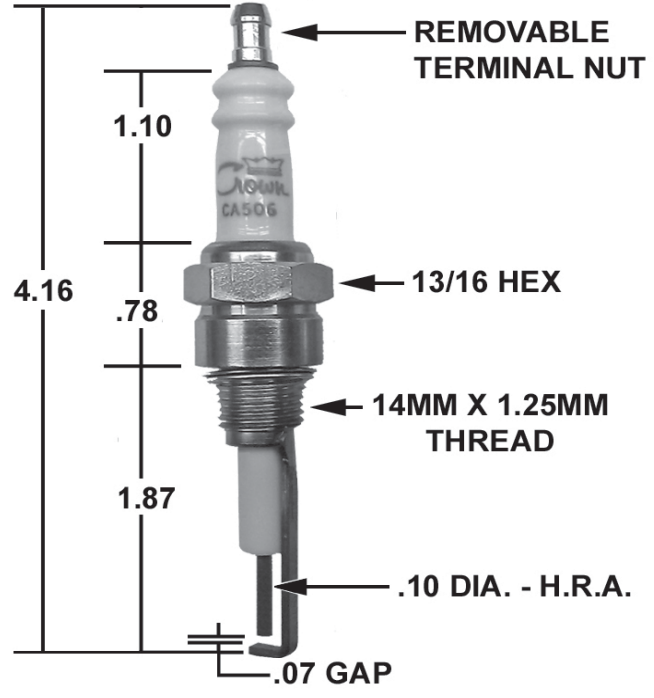
CA502
Replaces Auburn #: I-102



CA503
Replaces Auburn #: I-143



CA505
Replaces Auburn #: I-31



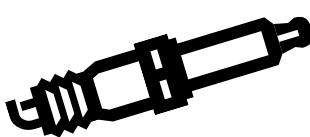
CA506
Replaces Auburn #: I-31-1

Section 3 - Industrial Igniters & Flame Rods

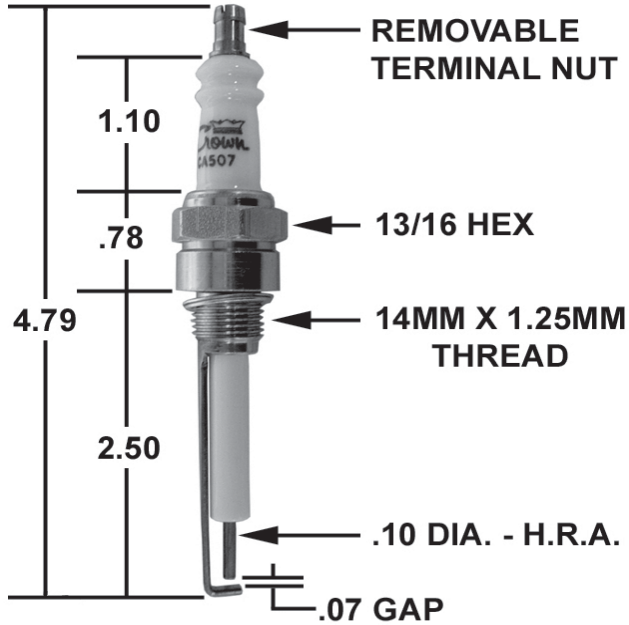


Your Single Source!

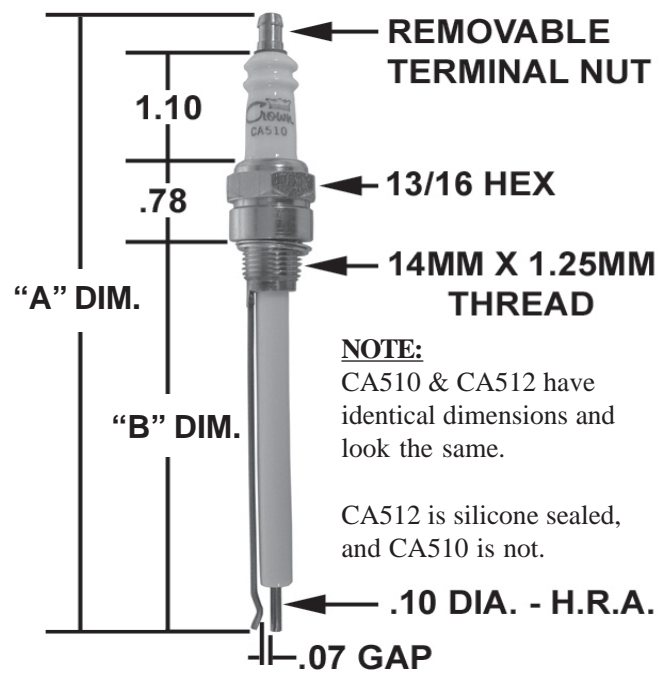
P.O. Box 846 - Farmingdale, NJ 07727



Customer Service
 • Tel: (800) 631-2153
 • Fax: (888) 645-7278
 www.crownengineering.com



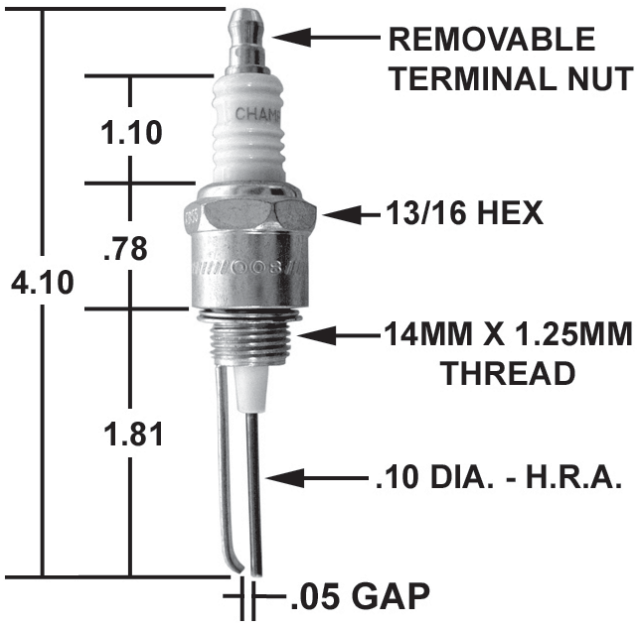
CA507
 Replaces Auburn #: I-31-2
 and Eclipse #: 16927-1



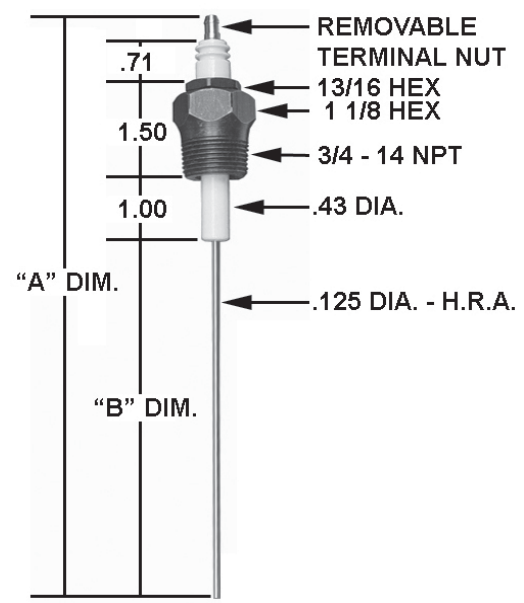
NOTE:
 CA510 & CA512 have identical dimensions and look the same.

 CA512 is silicone sealed, and CA510 is not.

PART NUMBER	"A" DIM.	"B" DIM.	REPLACES
CA510	6.26	3.97	I-31-5
CA512	6.26	3.97	ECLIPSE 23045

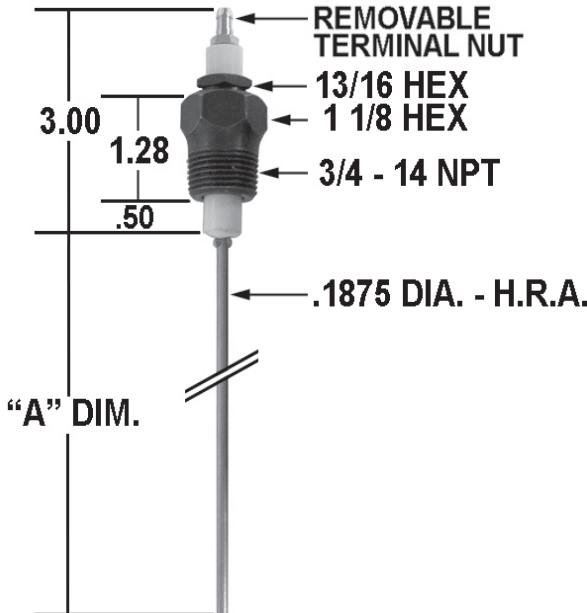
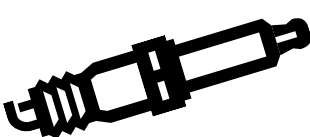


CA515
 Replaces Auburn #: I-32

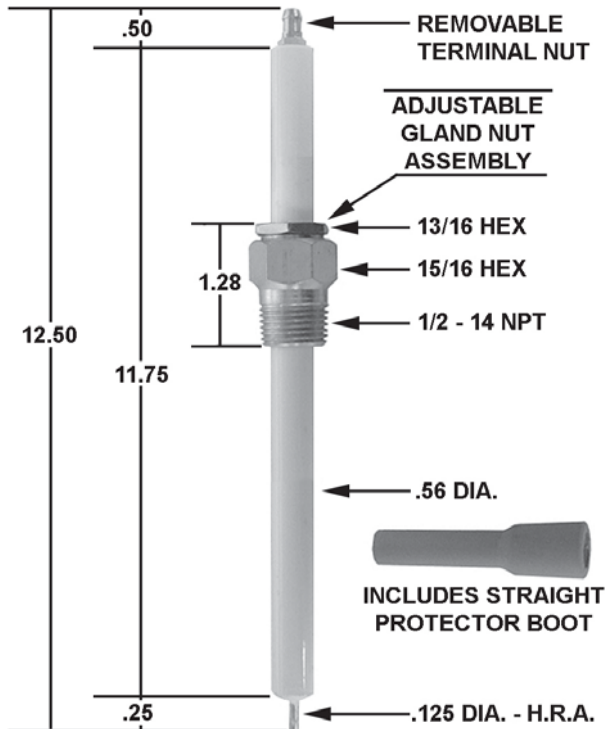


PART NUMBER	"A" DIM.	"B" DIM.	REPLACES
CA520	9.23	5.62	I-34
CA522	5.99	2.38	I-34-2.38
CA528	15.23	11.62	I-34-12
CA529	23.23	19.62	I-34-20
CA530	29.23	25.62	I-34-26
CA531	39.23	35.62	I-34-36
CA533	57.23	53.62	I-34-54

* NOTE: Other tip lengths are available



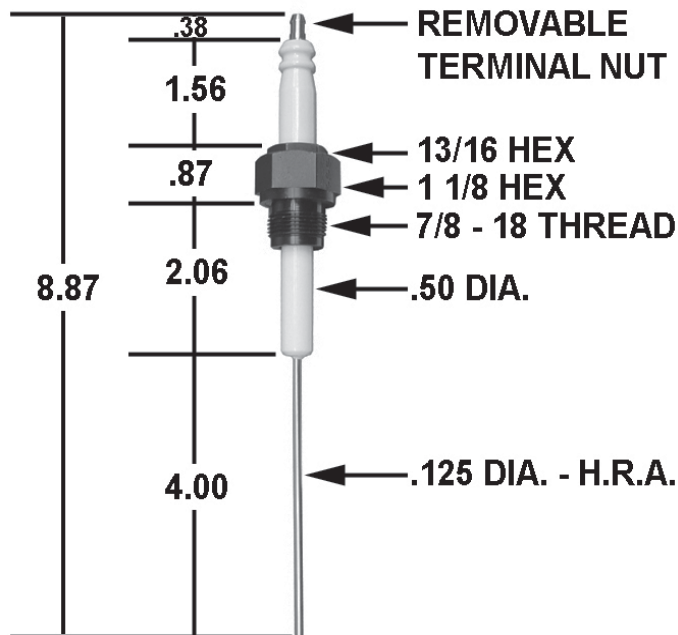
PART NUMBER	"A" DIM.	REPLACES
CA540	6.00	ECLIPSE 14265-1
CA541	12.00	ECLIPSE 14265-2
CA542	18.00	ECLIPSE 14265-3
CA543	24.00	ECLIPSE 14265-4



CA566

Replaces Eclipse #: 42148/45979

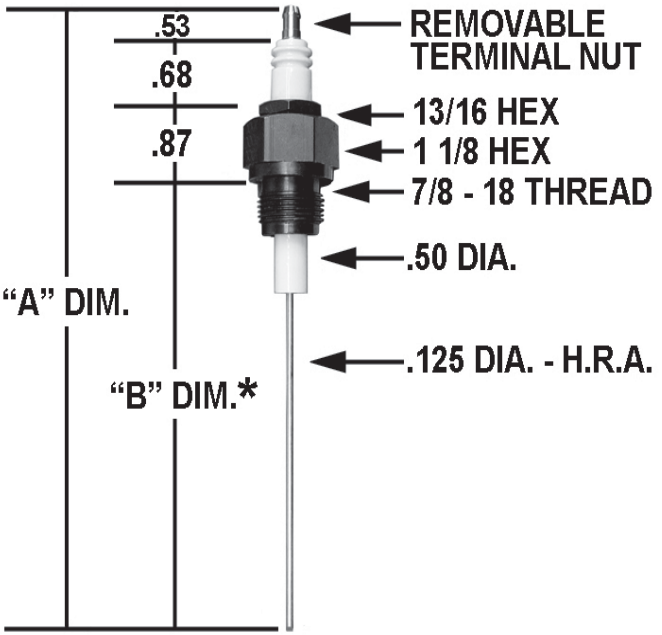
* NOTE: Other tip lengths are available



CA607

Replaces Auburn #: IC-10

* NOTE: Other tip lengths are available



PART NUMBER	"A" DIM.	"B" DIM.	REPLACES
CA611	7.24	5.16	IC-9
CA625	3.98	1.90	I-78

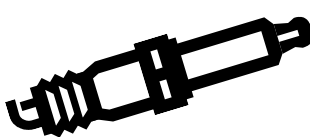
* NOTE: Other tip lengths are available

Section 3 - Industrial Igniters & Flame Rods

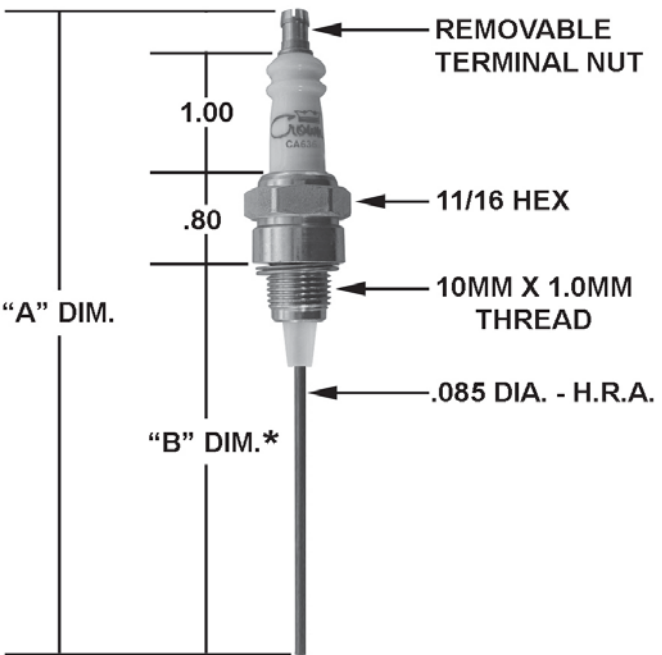


Your Single Source!

P.O. Box 846 - Farmingdale, NJ 07727

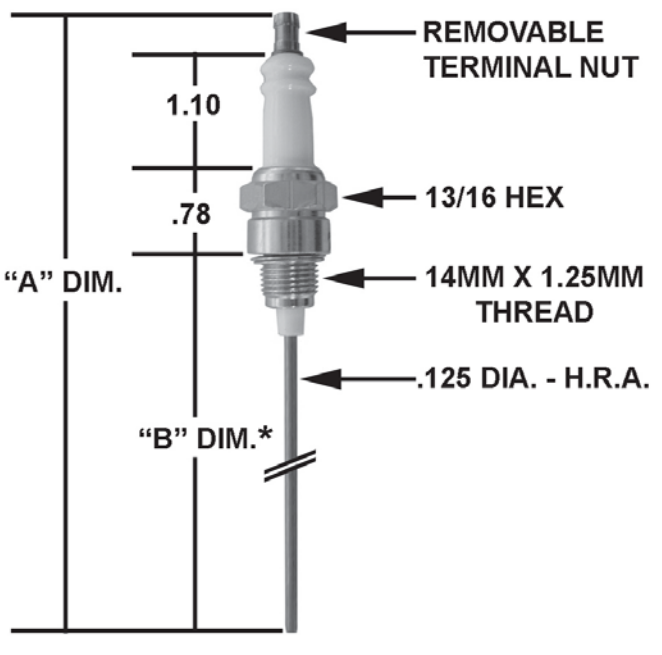


Customer Service
 * Tel: (800) 631-2153
 * Fax: (888) 645-7278
 www.crownengineering.com



PART NUMBER	"A" DIM.	"B" DIM.	REPLACES
CA635	5.23	3.03	I-10-25
CA636	4.81	2.61	I-10-30-02
CA638	8.73	6.53	I-10-30 6"

* NOTE: Other tip lengths are available



PART NUMBER	"A" DIM.	"B" DIM.	REPLACES
CA645	3.79	1.50	I-144
CA646	12.66	10.37	I-144-1
CA647	14.29	12.00	I-144-12
CA648	23.29	21.00	I-144-21

* NOTE: Other tip lengths are available

Industrial Igniter Development Page

While we cannot fathom the idea that you could not find what you were looking for in our standard line of industrial igniters, we will definitely go the extra mile to develop what you need. Our XX-series of specialty igniters are developed daily to meet the needs of "jimmy it, DIY fixes, and imaginative designs," across the globe.

Just fill in the specs, quantity, and fax it over to get price & availability in a snap!

TIP TYPE:

BLUNT

POINT

BALL

TERMINAL CONNECTORS
(CIRCLE ONE)

ROD DIA.

3/32"

1/8"

3/16"

1/4"

THD. SIZE

1/4-18 NPT

1/2-14 NPT

3/4-14 NPT

13/16-24 NEF

7/8-18

HEX SIZE

5/8"

15/16"

1"

1 1/8"

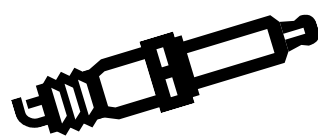
Qty: _____

P/N: XX _____



Your Single Source!

P.O. Box 846 - Farmingdale, NJ 07727



Customer Service

Tel: (800) 631-2153
Fax: (888) 645-7278
www.crownengineering.com

Section 4 - Electrical

Part Number: 13666
Description: Honeywell Flame detector
Packaging: Boxed
Includes:
1 - flame detector with 30" lead.
1 - 90 degree bracket.
1 - Instruction sheet.
Used in Wayne burner models
EH(12"+tubes), HS(12"+ tubes), and FH.



UL file: MP268
UL style: C554A

NOTE: For replacement eyes only see page 69

Part Number: 13667
Description: Honeywell Flame detector
Packaging: Boxed
Includes:
1 - flame detector with 48" lead.
1 - Bracket
1 - Instruction sheet.
Used in White Rodgers equipment. Replaces Honeywell #C554A-1794. UL recognized and C.S.A. certified.



UL file: MP268
UL style: C554A

Part Number: 13668 (Old P/N: TMK60)
Description: Honeywell Cad Cell Kit
Packaging: Boxed
Includes:
1 - flame detector with 60" lead.
6 - Brackets.
1 - Instruction sheet.
A true universal kit that meets the needs of many burner model applications.
Replaces Honeywell #C554A-1463.

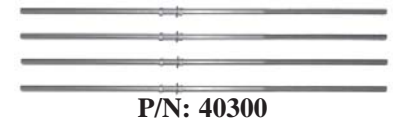


UL file: MP268
UL style: C554A

Part Number: 14289
Description: Honeywell Flame detector
Packaging: Boxed
Includes:
1 - flame detector with 15" lead.
1 - 17 degree Bracket.
1 - Instruction sheet.
Used in Wayne burner models MEG1, EHS, EG1(3", 6", & 9" tubes), MSR, EH(6" & 9" tubes), EH (Weil-McLain specs), HS, HS(6" & 9" tubes), HS(Weil McLain specs).
Also used in Bock water heater specs for MSR, EH, & HS.



UL file: MP268
UL style: C554A



P/N: 40300

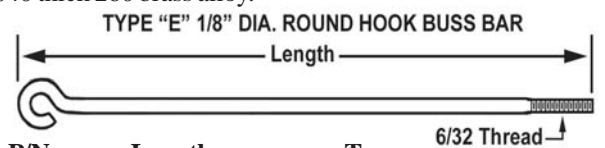


P/N: 40305

Part Number: 40300 (1/8" rod dia. X 6-32 Thread)
40305 (3/16" rod dia. X 10-32 Thread)

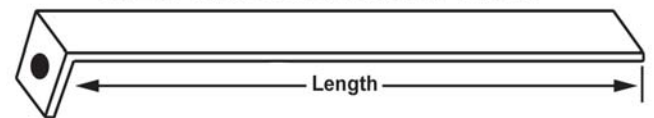
Description: Electrode rod pak
Packaging: Poly bagged & tagged
Includes: 4 each of one of the above items
Our electrode rod paks are designed to fit Crown insulators up to 6" in length.
40300 fits the following ceramic diameters, 7/16", 1/2", and 9/16" with 1/8" key way bore.
40305 fits the following ceramic diameters, 7/16", 1/2", and 9/16" with 3/16" key way bore.

We stock three types of buss bar connectors available in standard lengths of 6", 8", 10", and 12". Our type "E" and "S" rounded buss bars feature annealed 1/8" diameter 303 Stainless Steel with 6-32 roll threads. Our type "F" flat buss bars feature 3/8" wide X .040 thick 260 brass alloy.



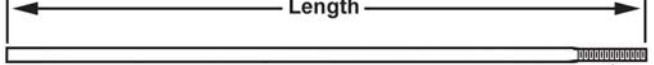
P/N	Length	Type
40309	6" Long	"E" round hook buss bar
40311	8" Long	"E" round hook buss bar
40313	10" Long	"E" round hook buss bar
40315	12" Long	"E" round hook buss bar

TYPE "F" FLAT BUSS BAR WITH 1/8" ID HOLE



P/N	Length	Type
40316	6" Long	"F" flat buss bar
40318	8" Long	"F" flat buss bar
40319	10" Long	"F" flat buss bar
40320	12" Long	"F" flat buss bar

TYPE "S" 1/8" DIA. ROUND STRAIGHT BUSS BAR



P/N	Length	Type	6/32 Thread
40322	6" Long	"S" round straight buss bar	
40324	8" Long	"S" round straight buss bar	
40325	10" Long	"S" round straight buss bar	
40326	12" Long	"S" round straight buss bar	

**Part Number(s):**

- 40624 (24" test leads)
- 40630 (12" test leads)
- 40631 (18" test leads)
- 40632 (30" test leads)

**Description:** Test leads**Packaging:** Poly bagged & tagged**Includes:**

1 pack contains 2 leads, one red, one black. Our test leads are coated with a soft flexible vinyl cover. Our leads feature protector boots for added protection against accidental shock. Tips are of a ragged tooth design for maximum electrical contact and extra thick 18AWG UL wire.

LOW VOLTAGE 18 AWG

Part Number: 40634**Description:** Test leads**Packaging:** Poly bagged & tagged**Includes:**

1 - 8' test lead with red & black split. Made of flexible rubber insulation this test cord features 20 amp. test clips, color coded vinyl insulators for shock protection, and jagged edged jaws for a positive connection.



110 volt

Part Number: 40635**Description:** Low voltage tester**Packaging:** Poly bagged & tagged**Includes:**

1 ea. low voltage testing tool
5-50 VAC-DC rated. Test for live lines quickly and easily. Made of flexible rubber insulation this tester features booted test clips, color coded vinyl insulators for shock protection, and jagged edged jaws for a positive connection.

NEW!

**Part Number(s):**

- 41650 - 25' reel
- 41652 - 100' reel
- 41654 - 500' reel
- 41656 - 1000' reel

Description: 7mm GTO-15 cable**Packaging:** Plastic or wooden reels**Includes:**

1 - Spool of GTO-15 cable
Our TUF-HIDE MINI SUPERFLEX® GTO-15 cable is made of solid thermoplastic elastomer. Applications include: Transformer cable leads, ignition leads, and wire connections. UL and CSA listed.

**Specifications****Wire Color:** Black**Wire gauge:** 14 AWG**Stranding:** 19 x .014" bare copper**Insulation Thickness:** .098"**Temperature rating:** 105 degrees centigrade (221 deg. F)**Voltage:** 15 KVAC**O.D.:** .270" +/- .002**UL style:** E- 135239**CSA style:** 74278**Part Number(s):**

- 41660 - 25' reel
- 41661 - 100' reel
- 41662 - 500' reel

Description: 7mm Silicone cable**Packaging:** Plastic or wooden reels**Includes:**

1 - Spool of silicone cable
An advanced silicone rubber insulated ignition wiring material. Used in ovens, furnaces, air conditioning equipment and other gas fired appliances. It has been found acceptable in ignitor devices tested by the American Gas Association Laboratories. UL listed.

**Specifications****Wire Color:** Red**Voltage:** 25 KVDC / 10KVAC / 60HZ**Wire gauge:** 18 AWG**Stranding:** 16/30 nickel plated copper**Insulation Thickness:** .113"**Temperature rating:** 250 degrees centigrade (482 deg. F)**O.D.:** .274" +/- .002**UL file:** E- 44576**UL style:** 3257**Empty Plastic spools are available**

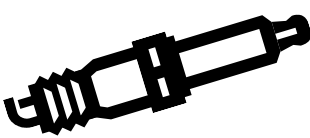
For 25' reel use P/N: PS250

For 100' reel use P/N: PS100



Your Single Source!

P.O. Box 846 - Farmingdale, NJ 07727



Customer Service
" Tel: (800) 631-2153
" Fax: (888) 645-7278
www.crownengineering.com

Section 4 - Electrical

Part Number: 41800

Description: Ignition terminal kit - "Mini-Kit"

Packaging: Sturdy hinged plastic box

Includes:

- 20 - 50000 Cage
- 12 - 50100 Spring
- 20 - 50200 Ring
- 10 - 50400 Angle Cage
- 12 - 50600 Stud ferrule



Part Number: 41805

Description: Transformer kit

Packaging: Sturdy hinged plastic box

Includes:

- 6 - 45580 Transformer clip
- 6 - 50800 10-32 Hollow thrd. stud
- 6 - 51550 Cage/Cage
- 6 - 52210 Cage/Buss bar clip
- 6 - 52230 Hex/Buss bar clip
- 6 - 52260 10-32 Hex base stud
- 6 - 52290 Spring adapter
- 6 - 52300 Spring adapter
- 4 - 52315 Binding post
- 4 - 52340 10-32 Spring contact
- 6 - 52350 10-32 Contact post



Part Number: 41810

Description: Ignition terminal kit - "Deluxe"

Packaging: Sturdy hinged plastic box

Includes:

- 12 - 50000 Cage
- 12 - 50100 Spring
- 12 - 50200 Ring
- 12 - 50400 Angle Cage
- 12 - 50600 Stud ferrule
- 12 - 50760 6-32 Hex base stud
- 12 - 50700 10-32 Hex base stud
- 12 - 50860 6-32 Hollow thrd. stud
- 24 - 50800 10-32 Hollow thrd. stud
- 12 - 51630 Cage/Thrd. stud
- 12 - 52210 Cage/Buss bar clip
- 1 - 40400 Crimping/Rod cutter
- 1 - 40436 Combo ratchet set 1/4" x 5/16"
- 12 - 51550 Cage/Cage
- 12 - 45580 Transformer clip
- 12 - 52260 10-32 Hex stud
- 12 - 52340 10-32 Spring



Part Number: 41812

Description: Webster terminal adapter kit #J49G9

Packaging: Sturdy hinged plastic box

Includes:

- 2 - 51550 Cage/Cage
- 2 - 52316 Binding post/Cage
- 2 - 52800 Cage/Steel contact post
- 2 - 52810 Cage/Brass contact post
- 2 - 52840 Cage/Hex base stud
- 2 - 52850 Cage/Short "A" spring
- 2 - 52860 Cage/Adapter spring
- 2 - 52920 Cage/Web



Part Number: 41815

Description: Ignition terminal & tool kit

Packaging: Sturdy hinged plastic box

Includes:

- 24 - 50000 Cage
- 24 - 50100 Spring
- 24 - 50200 Ring
- 24 - 50300 Split ring
- 24 - 50400 Angle cage
- 24 - 50450 Right angle cage
- 24 - 51000 Ferrule/Ferrule
- 100-50900 Eyelets
- 1 - Crimping tool





Your Single Source!

P.O. Box 846 - Farmingdale, NJ 07727



Customer Service

Tel: (800) 631-2153
Fax: (888) 645-7278
www.crownengineering.com

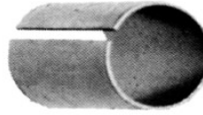
Adapter Bushings - Stainless Steel

P/N: 45000 - 7/16" ID X 9/16" OD X 1/2" L
P/N: 45010 - 7/16" ID X 1/2" OD X 1/2" L
P/N: 45015 - 1/2" ID X 9/16" OD X 3/4" L



Dravo Bushings - Steel

P/N: 45020 - 9/16" ID X 5/8" OD X 1" L
Ray Bushing - Steel
P/N: 45220 - 1/2" ID X 3/4" OD X 7/16" L



Aerco Brass Bushing

P/N: 45029 - 9/16" ID X 3/4" OD X 3/8" L
P/N: 45030 - 9/16" ID X 3/4" OD X 7/16" L
P/N: 45033 - .650 OD X .437 ID X .200 L



Brass Bushing

P/N: 45031 - 1/2" ID X 3/4" OD X 7/16" L
P/N: 45032 - 7/16" ID X 3/4" OD X 7/16" L



Ray Nylon Shield

P/N: 45050 - 37/64" ID X 3/4" OD X 7/8" L



Cleaver Brooks Retainer Ring

P/N: 45150 - 9/16" ID X 23/32" OD



Walter Kidde Buss Bar

P/N: 45160



Threaded Stud

P/N: 45170 - 10/32 Thd.
P/N: 45173 - 6/32 Thd.



Shell Body with Inside Thread

P/N: 45177 - 13/16 - 24 Thd. X 1" Hex



Shell Body with Outside Thread

P/N: 45178 - 3/4-20 NEF thd. X
13/16 - 24 NEF Thd. X 1" Hex



Gland Nut for Shell Bodies

P/N: 45180 - 13/16" Hex X 13/16 - 24 thd.



Shell Body 33/64" hole

P/N: 45190 - 1/2-14 NPT thd. X 15/16" Hex



Shell Body 39/64" hole

P/N: 45191 - 1/2-14 NPT thd. X 15/16" Hex



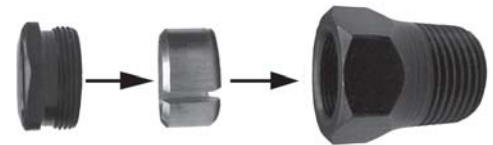
Shell Body with Outside Thread

P/N: 45192 - 7/8-18 thd. X 1 1/8" Hex



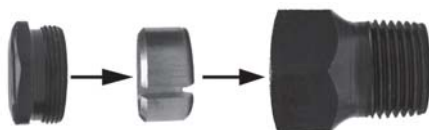
Gland Nut Assembly 3/4 NPT X 1 1/8" Hex

P/N: 45194 - Fits over 9/16" DIA. insulators



Gland Nut Assembly 1/2-14 NPT Thread

P/N: 45195 - Fits over 9/16" DIA. insulators



Reducer Bushing

P/N: 45196 - 3/4" NPT to 1/2" NPT



Shell Body with Outside Thread

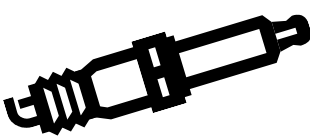
P/N: 45197 - 13/16-24 thd. X 1" Hex







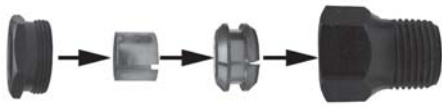


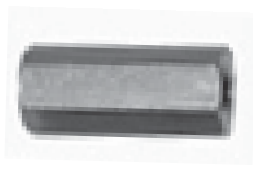
Your Single Source!

P.O. Box 846 - Farmingdale, NJ 07727



Customer Service
Tel: (800) 631-2153
Fax: (888) 645-7278
www.crownengineering.com

Section 4 - Electrical

<p>Shell Body with Outside Thread P/N: 45198 - 3/4 NPT X 1 1/8" Hex</p> 	<p>Gland Nut Assembly 1/2-14 NPT Thread P/N: 45199 - Fits over 1/2" DIA. insulators</p> 	<p>Copper Washer for 9/16 DIA. insulator P/N: 45200 - 9/16" ID X 3/4" OD X .032 tk.</p> 
<p>Copper Washer for 1/2 DIA. insulator P/N: 45201 - 1/2" ID X 23/32" OD X .032 tk.</p> 	<p>Gland Nut Assembly 1/2-14 NPT Thread P/N: 45202 - Fits over 7/16" DIA. insulators</p> 	<p>Copper Washer for 7/16 DIA. insulator P/N: 45203 - 7/16" ID X 11/16" OD X .032 tk.</p> 
<p>Gordon-Piatt Copper Filled Gasket P/N: 45292 - .575 ID X .740 OD X .075 tk.</p> 	<p>Brass Hex Stud Adaptor P/N: 45300 - .1/4" Hex X 10/32 Thread</p> 	

Part Number: 45610

Description: C-10 Flame detector

Packaging: Carded - 5 per card

Includes:

Our flame detectors are hand crafted and tested twice. Once before assembly, and after. Look for them in our attractive strip packaging. Ideal POP area's. Please order in increments of 5.

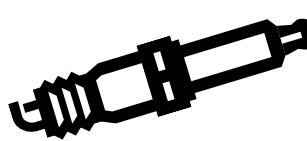



























A direct replacement in the Honeywell C554A, Honeywell replacement cell part numbers 130367, 120320 and 124607.

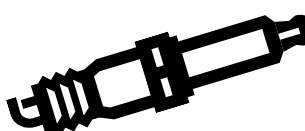
Specifications

- Maximum Voltage: 30 VAC
- Maximum Resistance: Min. 300 OHMS
- During Firing: Max. 1,600 OHMS
- Max. Cell Surface Temp: 180 Degrees F
- Method of Sensing: Cadmium Sulfide





 CAGE 50000	 SPRING 50100	 RING 50200	 HOOK 50250	 ANGLE / CAGE 50400	 RIGHT ANGLE CAGE 50450
 ANGLE SPRING 50500	 STUD FERRULE 50600	 HEX BASE STUDS 10-32 THD. 50700 6-32 THD. 50760 8-32 THD. 50780	 LONG HEX BASE STUDS 10-32 THD. 50751 6-32 THD. 50761	 HOLLOW THD. STUDS 10-32 THD. 50800 6-32 THD. 50860 8-32 THD. 50880	 CAGE / CAGE 51550
 SPRING / SPRING 51560	 CAGE / THD. STUD 10-32 THD. X 3/8" L 51630	 SPRING / STUD 6-32 THD. X 1 1/8" L 51711 10-32 THD. X 3/8" L 51730	 ANGLE SPRING / STUD 10-32 THD. X 3/8" L 51753	 SPRING / HEX BASE 10-32 THD. 51900 6-32 THD. 51960	 TERMINAL THUMB NUT 10-32 THD. 52200
 CAGE / BUSS BAR CLIP 52210	 SPRING / BUSS BAR CLIP 52220	 HEX BASE / BUSS BAR CLIP 10-32 THD. 52230	 LONG HEX BASE / BUSS BAR CLIP 10-32 THD. 52235	 SHORT HEX STUD 10-32 THD. 52260 3-56 THD. 52263 6-32 THD. 52266	 BECKETT SPRING ADAPTER 52285
 SHORT "A" SPRING 52290	 SPRING ADAPTER 52300	 SPRING / BINDING POST 52315	 CAGE / BINDING POST 52316	 CONTACT POST 10-32 THD. 52350	 KNURLED CONTACT POST 10-32 THD. 52355
 SHORT "Y" SPRING 52365	 LONG "Y" SPRING 52366	 HOOK / HEX BASE 10-32 THD. 52440	 SPRING / DRILLED FERRULE .096 DIA. HOLE 52571	 ANGLE SPRING / DRILLED FERRULE .096 DIA HOLE 52641	 CAGE / CONTACT POST 52810



Section 4 - Electrical

 CAGE / HEX BASE BUSS BAR CLIP 52830	 CAGE / SHORT HEX BASE STUD 52840	 CAGE / SHORT "A" SPRING 52850	 CAGE / ADAPTER SPRING 52860	 RIGHT ANGLE CAGE / CAGE 52880	 SLOTTED HEX BASE STUD 6-32 THD. 52891
 SMALL THUMB NUT 10-32 THD. 52900	 CAGE / LARGE THUMB NUT 52915	 SPRING / LARGE THUMB NUT 52916	 CAGE / WEBSTER CLIP 52920	 HEX BASE STUD / SHORT NYLON 55001	 STUD / ANGLE NYLON CAP 55011
 BASE STUD / SOLDERLESS BRASS FERRULE 55021	 SOLDERLESS RING / SHORT NYLON CAP 55101	 RING / SOLDERLESS BRASS FERRULE 55121	 SOLDERLESS SPRING / SHORT NYLON CAP 55201	 SPRING / ANGLE NYLON CAP 55211	
 SPRING / SOLDERLESS BRASS FERRULE 55221	 SPRING / EXTENDED NYLON CAP 55231	 SOLDERLESS ANGLE SPRING / SHORT CAP 55301	 ANGLE SPRING / SOLDERLESS BRASS FERRULE 55321	Attention OEM's We can customize your terminal requirements to fit your specific application. Send us your print.	

Terminal Packaging Note

Please note that most of the terminal connectors listed on pages 70 through 71 are packaged in 10 and 50 packs.

To order a 10 pack simply add the suffix -10 after the 5 digit part number. For a 50 pack add a -50.

Part Number: TCK - 1

Description: Transformer contact kit

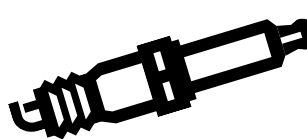
Packaging: Poly bag & tagged

Includes:



















- 2 - 45580 Contact buss bar clips
- 2 - 60010 #10 Split lock washer
- 2 - 60999 #10 Flat washer
- 2 - 60022 10-32 Hex nut

Can be used in a variety of applications and equipment.





SOLDERLESS WIRE TERMINALS & KIT

 P/N: 61850 #6 RING TERMINAL 22-18 WIRE SIZE 4-6 STUD SIZE	 P/N: 61854 #8 RING TERMINAL 22-18 WIRE SIZE 8 STUD SIZE	 P/N: 61855 #10 RING TERMINAL 22-18 WIRE SIZE 10 STUD SIZE	 P/N: 61856 #6 RING TERMINAL 16-14 WIRE SIZE 4-6 STUD SIZE	 P/N: 61857 .250 RING TERMINAL 22-18 WIRE SIZE 1/4" STUD SIZE	 P/N: 61858 #10 RING TERMINAL 16-14 WIRE SIZE 10 STUD SIZE
 P/N: 61859 #6 SPADE TERMINAL 22-18 WIRE SIZE 4-6 STUD SIZE	 P/N: 61861 #10 SPADE TERMINAL 22-18 WIRE SIZE 10 STUD SIZE	 P/N: 61862 #6 SPADE TERMINAL 16-14 WIRE SIZE 4-6 STUD SIZE	 P/N: 61863 .250 FEMALE TAB 22-18 WIRE SIZE .250 OD	 P/N: 61864 #10 SPADE TERMINAL 16-14 WIRE SIZE 10 STUD SIZE	 P/N: 61866 .250 MALE TAB 16-14 WIRE SIZE .250 X .032 SIZE
 P/N: 61867 .250 MALE TAB 22-18 WIRE SIZE .250 OD	 P/N: 61868 .250 FEMALE TAB 16-14 WIRE SIZE .250 ID	 P/N: 61871 #8 RING TERMINAL 16-14 WIRE SIZE 8 STUD SIZE	 P/N: 61872 .250 RING TERMINAL 16-14 WIRE SIZE 1/4" STUD SIZE	 P/N: VBC1614 BUTT CONNECTOR 16-14 WIRE SIZE	 P/N: VBC2218 BUTT CONNECTOR 22-18 WIRE SIZE

Part Number: 41881

Description: "Big Box" Terminal Kit

Packaging: Sturdy Hinged Box

Includes:

1 - Big Box containing all of the terminals listed on this page
Each compartment contains 50 each of the above terminal connectors that are the most popular in our industry.

1 - Each 40401 8mm/terminal crimping tool

3 - Each 6" long 1/8" fuel resistant shrink tube

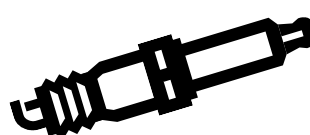
3 - Each 6" long 1/4" fuel resistant shrink tube

And when you empty out a compartment just re-order using the above part numbers and add the suffix -50 and you are re-stocked in a snap! The heavy duty high impact case protects and organizes your parts for ease of use.

BIG BOX

NEW





TWISTED ROPE - HI TEMP

Our ceramic fiber rope is a twisted three-ply rope made to meet tough industrial standards, **2300 degrees fahrenheit (1260 degrees centigrade)**. Typical uses include gasketing, packing and sealing applications. Our rope exhibits excellent chemical stability, resisting attack from most corrosive agents. Exceptions are Hydrofluoric and Phosphoric acids and concentrated alkalis. They also resist Oxidation and Reduction. If wet by water or steam, thermal and physical properties are completely restored upon drying. No water hydration is present.

Ceramic High Temperature Asbestos Free Twisted Rope



DIA	FT. / Carton	Part Number
1/4"	45'	14FR45
1/4"	90'	14FR90
1/4"	900'	14FR900
3/8"	25'	38FR25
3/8"	50'	38FR50
3/8"	500'	38FR500
1/2"	15'	12FR15
1/2"	30'	12FR30
1/2"	300'	12FR300
5/8"	Sold per foot	58FR
3/4"	Sold per foot	34FR
1"	Sold per foot	1FR
1-1/4"	Sold per foot	114FR
1-1/2"	Sold per foot	112FR
2"	Sold per foot	2FR

BRAIDED ROPE - HI TEMP

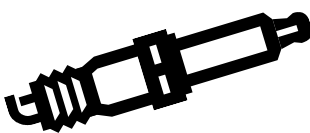
Our ceramic fiber braided rope is a tightly knitted braid that keeps it's form under the most extreme applications. It won't unravel or flatten and is easy to cut.

Constant operating temperature of 2300 degrees fahrenheit (1260 degrees centigrade). Typical uses include gasketing, packing and sealing applications. Our rope exhibits excellent chemical stability, resisting attack from most corrosive agents. Exceptions are Hydrofluoric and Phosphoric acids and concentrated alkalis. They also resist Oxidation and Reduction.

Ceramic High Temperature Asbestos Free Braided Rope



DIA	FT. / Carton	Part Number
1/4"	45'	14FRB45
1/4"	90'	14FRB90
1/4"	900'	14FRB700
3/8"	25'	38FRB25
3/8"	50'	38FRB50
3/8"	500'	38FRB400
1/2"	15'	12FRB15
1/2"	30'	12FRB30
1/2"	300'	12FRB200
5/8"	Sold per foot	58FRB
3/4"	Sold per foot	34FRB
1"	Sold per foot	1FRB
1-1/4"	Sold per foot	114FRB
1-1/2"	Sold per foot	112FRB
2"	Sold per foot	2FRB



Part Number(s):

- 1FG116A (1" W X 1/16" T X 100' Roll w/adhesive)
- 1FG18 (1" W X 1/8" T X 100' Roll)
- 1FG18A (1" W X 1/8" T X 100' Roll w/adhesive)
- 1FG14 (1" W X 1/4" T X 100' Roll)
- 1FG14A (1" W X 1/4" T X 100' Roll w/adhesive)
- 112FG18 (1 1/2" W X 1/8" T X 100' Roll)
- 112FG18A (1 1/2" W X 1/8" T X 100' Roll w/adhesive)
- 112FG14 (1 1/2" W X 1/4" T X 100' Roll)
- 112FG14A (1 1/2" W X 1/4" T X 100' Roll w/adhesive)
- 2FG18 (2" Wide X 1/8" Thick X 100' Foot Roll)
- 2FG18A (2" W X 1/8" T X 100' Roll w/adhesive)
- 2FG18BH (2" W X 1/8" T X 100' W with bolt holes)

Description: Fiberglass tape

Packaging: Shrink wrapped - 100' roll.

Includes:

1 - 100' roll of one of the above selected sizes.

Flex-Tape has a **temperature rating of 1000° F (538° C)**. Flex-Tape is a knitted fiberglass tape manufactured from textured fiberglass yarn. It contains no compounds, cement, or wire. The knitting process includes a non-fraying edge.

Applications include:

Used in ovens, furnaces and boilers as a door seal, as pipe wrapping in such applications as steam tracer lines, as tadpole tape gasket covering material, and in many other gasket and insulation applications.



Part Number (s):

- 48001 - 1' x 50' roll
- 48002 - 2' x 50' roll
- 48004 - 3' x 50' roll
- 48006 - 4' x 50' roll

Description: Fiberfrax® 440J gasket paper

Packaging: Plain corrugated carton

Includes:

1 - roll of 1/8" thick 440J gasket paper of selected size. Fiberfrax® 440J paper is a commercial grade, paper made from a combination of ceramic fiber, inert fillers and fiberglass to produce an exceptionally strong sheet for use up to 704 degrees Centigrade/1300 degrees Fahrenheit. Ideal for gasketing applications. Its easy to handle and can be cut, wrapped and rolled



Part Number(s):

- 48015 (1/2" T X 24" W X 25' L)
- 48016 (1/2" T X 48" W X 25' L)
- 48017 (1" T X 24" W X 25' L)
- 48018 (1" T X 48" W X 25' L)
- 48019 (1 1/2" T X 24" W X 17' L)
- 48020 (1 1/2" T X 48" W X 17' L)
- 48021 (2" T X 24" W X 12 1/2' L)
- 48022 (2" T X 48" W X 12 1/2' L)
- 48023 (1" T X 24" W X 25' L Zirconia Grade)
- 48024 (1" T X 48" W X 25' L Zirconia Grade)

Description: Ceramic fiber blanket

Packaging: Carton

Includes:

1 - roll of one of the above selected sizes.

Our TaoFibre® Ceramic Fiber Blankets are spun ceramic fiber blanket, which are lightweight and thermally efficient, resulting in a material that possesses the advantages of low heat storage and complete resistance to thermal shock.

Used in a variety of heat processing applications, the ceramic fiber blanket is produced from high strength spun ceramic fibers and is needed to provide exceptional handling strength. The ceramic fiber blanket is completely inorganic and is available in a variety of thicknesses, and widths.

Our blankets are comparable to Durablanket® S & HP-S and our Zirconia grade is comparable to Durablanket® 2600.

All of our blankets have an average tensile strength of 8 pcf. density (11.60 psi).

Part # 48015 to 48022 **max. temp.rating 2300° F (1260° C)**.

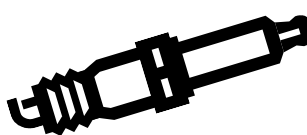
Part # 48023 to 48024 **max. temp.rating 2600° F (1426° C)**.

NOTE: UPS up-charge applies due to the light weight per ctn.

Applications include:

- Furnace, klin, and boiler linings
- Casting mold wrappings
- Flexible high-temperature pipe insulation
- Furnace door linings and seals
- Furnance repairs
- Expansion joint seals
- Wrapping insulation

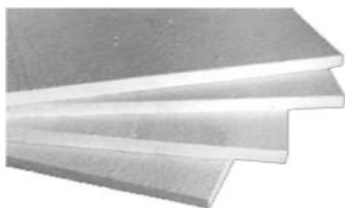


**Part Number(s):**

- 48101 (12 per case 1/2" Tk. X 2' X 3' LD)
- 48102 (6 per case 1" Tk. X 2' X 3' LD)
- 48103 (4 per case 1 1/2" Tk. X 2' X 3' LD)
- 48104 (3 per case 2" Tk. X 2' X 3' LD)
- 48125 (24 per case 1/4" Tk. X 2' X 3' HD)

Description: Refractory boards**Packaging:** Corrugated carton - 12/cs.**Includes:**

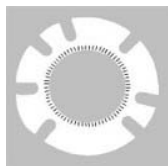
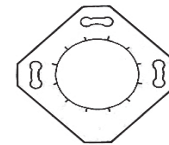
1 case of LD or HD fiberboards from the above list. Our TaoFibre® high temperature ceramic fiber boards feature high temperature stability, low thermal conductivity, even density, and excellent resistance against thermal shock and chemical attack. TaoFibre® ceramic fiber board also resists oxidation and reduction. If they are wet by water, steam, or oil, physical and thermal properties are fully restored upon drying. Ceramic Fiber board is used for a variety of high temperature applications, including refractory linings, backup insulation, baffles and muffles, heat shields, combustion chambers, flue insulation, and fire protection. These ceramic fiber boards are low density for easy cutting and have a continuous temperature rating of 2300° F / 1260° C.



Original replacement gaskets for Beckett, Carlin, & Wayne burners

The below gaskets are the original OEM gaskets for the below specified burners.

Guaranteed to work in the application! For gasket specifications please contact the OEM directly.

Part Number: 100428**Description:** Wayne flange gasket**Dimensions:** 7 1/2" OD X 4" ID**Used in models:** HS, HSR, & HSG**Part Number:** 12484**Description:** Wayne flange gasket**Dimensions:** 7 3/8" OD X 4 5/16" ID**Used in models:** EH, EASR, & EHA**Part Number:** 3616**Description:** Beckett flange gasket**Dimensions:** 8 1/2" OD X 3 15/16" ID**Used in models:** Universal**Part Number:** 3811**Description:** Beckett flange gasket**Dimensions:** 6 1/4" L X 6 1/4" W**Used in models:** Used in #68 Weil-McLain boilers.**Part Number:** 5432**Description:** Beckett flange kit**Packaging:** Poly bagged & tagged**Includes:** 1 ea. Flange & 1 ea. Gasket (3616)
Fits models 99-101 CRD, G3 & EZ1**Part Number:** 75016**Description:** Carlin flange gasket #40287**Dimensions:** 8" OD X 3 1/8" ID**Used in models:** 99-101 CRD, G3 & EZ1**Part Number:** 70203 - 11 oz. caulking tube**Description:** Thermeez® ceramic putty**Packaging:** Bulk**Includes:**

1 - 11 oz. tube of Thermeez ceramic putty
Thermeez is made of a high purity, asbestos free, aluminum oxide based ceramic with a melting point in excess of 3200° F.

It has a continuous service temperature of 3000° F.

Use for instant repairs to brick, mortar, burner blocks, insulation, furnace holders, thermocouples, etc...just apply and let dry!. Resistant to molten metals, most chemicals, oxidizing, and reducing atmospheres.

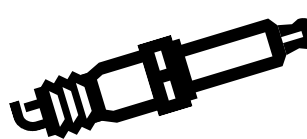
Cures in 24 hours at room temperature. Drying process can be accelerated by using a heat gun for emergency repairs. This product has a 8 - 12 month shelf life.

Properties

Base.....	AL203
Loss factor.....	0.017
Continuous service.....	3000°F
Melting point.....	3200°F
Density.....	40 - 50#/ft. ³
Specific heat.....	0.25 BTU/#°F
Dielectric constant @ 10 ³ CPS.....	1.61
Dielectric strength.....	100 volts/mil.
Freezing point.....	32°F
Thermal conductivity*.....	0.65

*BTU/Hr. °F ft. @ 500°F





Replacement Burner Gaskets

We make a wide variety of generic gaskets for a variety of burners. These gaskets are made of a 1/8" thick white non-asbestos material and have a continuous operating temperature of 2300 degrees fahrenheit.

Part Number: 75000

Description: Large Miller pouch gasket

Dimensions: 16"L X 10 1/2"W

Used in models: CMF, MOC, & MGC

Miller #: 301205000



Part Number: 75007

Description: No bolt holes

Dimensions: 8"OD X 4"ID

Used in models: Universal



Part Number: 75001

Description: Small Miller pouch gasket

Dimensions: 13 5/8"L X 10"W

Used in models: MMG82

Miller #: 301181000



Part Number: 75008

Description: Utility gasket roll

Dimensions: 25 Ft. X 1" Wide

Used in models: Universal



Part Number: 75002

Description: Miller burner flange gasket

Dimensions: 6 1/2"OD X 4 1/4"ID

Used in models: CMF, & MOC

Miller #: 300001000

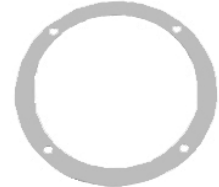


Part Number: 75009

Description: Carlin flange gasket

Dimensions: 12"OD X 10"ID

Used in models: 1150

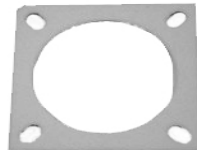


Part Number: 75003

Description: Riello air tube gasket

Dimensions: 5 1/4"L X 5 1/4"W

Used in models: Universal

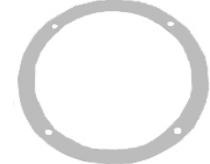


Part Number: 75010

Description: Carlin flange gasket

Dimensions: 11"OD X 8 3/4"ID

Used in models: 1050

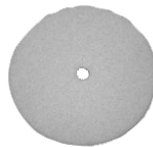


Part Number: 75004

Description: Thermo Pride cover gasket

Dimensions: 4"OD X 3/8"ID

Used in models: Universal



Part Number: 75011

Description: Carlin flange gasket

Dimensions: 11"OD X 5 1/4"ID

Used in models: 801 Pressure fired



Part Number: 75005

Description: G. E. Door Gasket

Dimensions: 10"OD X 8"ID

Used in models: Universal

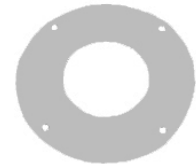


Part Number: 75012

Description: Carlin flange gasket

Dimensions: 10"OD X 4 1/8"ID

Used in models: 201, 301, 501, 601 & 701 Pressure fired CRD



Part Number: 75006

Description: Heil/Bradford/Olsen cover gasket

Dimensions: 3"OD X 2"ID

Used in models: Universal



Part Number: 75013

Description: Carlin flange gasket

Dimensions: 8 1/2"OD X 5 1/4"ID

Used in models: 801 STD





Part Number: 75014

Description: Carlin flange gasket 40246

Dimensions: 8 1/2"OD X 4 1/8"ID

Used in models: 501, 601 & 701 STD



Part Number: 75015

Description: Carlin flange gasket 40287

Dimensions: 8 1/4"OD X 4 1/8"ID

Used in models: 201 & 301 STD



Part Number: 75017

Description: Miller flange gasket

Dimensions: 12 13/16" L X 4 9/16" W

Used in models: MSH / Miller #: 689505



Part Number: 75018

Description: Miller flue gasket

Dimensions: 7 1/8"OD X 5 1/8"ID

Used in models: CMF, MOC & MGC

Miller #: 301195000



Part Number: 75019

Description: Miller gasket kit

Includes:

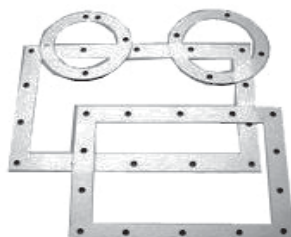
1 - 75000 (Miller # 301205000)

1 - 75001 (Miller # 301181000)

1 - 75002 (Miller # 300001000)

1 - 75018 (Miller # 301195000)

Used in models: CMF, MOC, & MGC



Part Number: 75020

Description: Carlin gasket kit

Includes:

5 - 75016 Carlin #40287

1 - 75009 (Model 1150)

1 - 75010 (Model 1050)

1 - 75011 (Model 801 PF)

1 - 75012 (Model 301-701 PF)

1 - 75013 (Model 801 STD)

1 - 75014 (Model 501-701)

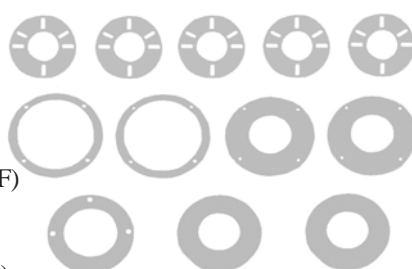
1 - 75015 (Model 201 & 301)

Used in models: 99-101 CRD, EZ1,

1150, 1050, 801 PF, 301, 501, 601, &

701 PF, 801 STD, 501, 601, & 701 STD,

201 & 301 STD.



Part Number:

FC30-1005 (1 oz. Caulk tube)

FC30-1040 (1 gal. Pail)

Description: DO-ALL+ Furnace cement

Packaging: Bulk

Includes:

1 - each of the above part numbers

Cures in 24 hours. Rated at 3000 degrees F. Will not shrink,

pull away, crack, sag, run out of joint or lose sealing

properties. Not harmed by freezing and thawing

Used in cementing & resetting furnaces, boilers, stoves,

chimney collars, sealing flue pipes, cementing & bedding

of fire brick, boards and combustion chambers.



Part Number(s):

FR1-10 (1" DIA. X 10' Long)

FR1-25 (1" DIA. X 25' Long)

FR1-160 (1" DIA. X 160 Long)

FR112-100 (1 1/2" DIA. X 100' Long)

FR114-100 (1 1/4" DIA. X 100' Long)

FR12-10 (1/2" DIA. X 10' Long)

FR12-25 (1/2" DIA. X 25' Long)

FR12-550 (1/2" DIA. X 550' Long)

FR14-10 (1/4" DIA. X 10' Long)

FR14-25 (1/4" DIA. X 25' Long)

FR14-2600 (1/4" DIA. X 2600' Long)

FR34-10 (3/4" DIA. X 10' Long)

FR34-25 (3/4" DIA. X 25' Long)

FR34-280 (3/4" DIA. X 280' Long)

FR38-10 (3/8" DIA. X 10' Long)

FR38-25 (3/8" DIA. X 25' Long)

FR38-1000 (3/8" DIA. X 1000' Long)

FR58-10 (5/8" DIA. X 10' Long)

FR58-25 (5/8" DIA. X 25' Long)

FR58-350 (5/8" DIA. X 350' Long)

Description: Knit braided fiberglass rope

Packaging: Boxed

Includes:

1 - each of the above parts listed

Our knit-braided fiberglass rope is manufactured to give

superior qualities to high-temperature rope without the

hazards associated with outdated materials. Flex-Rope

resists temperatures up to 1000° F (538° C) Because of

the special knit-braided process, it is available in a variety

and densities.

Features and Benefits:

Flex-Rope is extremely strong, resilient, and flexible. The

special knit-braided process enables Flex-Rope to spring

back to its original shape after compression, making it an

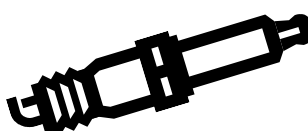
excellent choice for gasketing that acts as a heat break or

door seal. Used as gasketing for industrial ovens and

furnaces, boilers and wood burning stoves. Makes an

excellent core for tadpole tape gasketing.





TROUBLE SHOOTING GUIDELINES

1. Work safely:

Always bring a fire extinguisher with you to the heater location, and always check the combustion chamber for raw fuel!. Do not fire a burner with a loaded chamber. Clean it up first. Better to be safe than sorry.

2. Talk to the customer:

Find out as much as you possibly can about the operating condition of the equipment prior to the service call. Ask if the furnace has been recently serviced, when was the last time it was cleaned, when was the last oil delivery, etc.

These types of questions can be valuable clues that may help determine why the equipment failed to operate.

3. Set the room thermostat:

Set for "HEAT," and raise the set point to its maximum setting.

4. Stick the tank:

This may seem like a waste of time (especially if the customer claims that they "just got a delivery the other day."), but it is a good habit to get into. I have wasted many hours over the years trying to get fuel units to pick up oil from empty tanks that were, "filled yesterday."

5. Now you are ready to begin working on the furnace itself:

Turn off the power switch and check the combustion chamber if you have not already done so. Clean up any raw fuel. The presence of raw fuel would be a good indication that there is oil up to the nozzle and that the problem lies somewhere in the ignition system.

If the chamber is dry, feel the supply plenum (on forced air systems) or the water pipes (on boilers). In either case, they will be cold if the system has been down for any length of time. If they are hot to the touch, check to see if the equipment has shut down due to limit opening.

Likely problem areas would be an inoperative blower motor, dirty filters, or perhaps a bad circulator.

6. At this point you have been on the job site for about five minutes and may have already located the problem area:

If not, push the reset button on the primary control or stack switch. Make sure you have your fire extinguisher handy (just in case) and develop the habit of standing clear of the draft regulator and inspection port.

One of three things will happen. The burner motor will start and the burner will fire, the burner motor will start and the burner will not fire, or nothing at all happens.

7. If there is no response when pushing the reset, there is some sort of electrical problem with the equipment:

Use a voltmeter and confirm that there is voltage (usually 120 volts) to the primary control or stack switch. Disconnect the wires from the "T - T" terminals and jumper T to T on the control.

On a primary control, disconnect one of the yellow wires from the cad cell eye. Ambient light, a shorted eye, or a short in the wires from the cad cell will keep the burner from firing.

On stack controls, "step" the contacts by gently pulling and releasing the drive shaft. Try carefully jumping out the cold contacts.

Push the reset button on the burner motor, it may have tripped. At some point either the burner will fire or you will find the problem.

8. If the burner starts, but does not fire, turn it off after 10 seconds of operation:

Allowing the burner to run until the safety trips, may load the chamber with excess oil.

Disconnect the jet line (the line that connects the fuel unit to the nozzle line) from the nozzle line and direct it into a clear container. Take enough oil (several ounces) so you can observe the sample for water or other contamination.

Install an oil pressure gauge in the nozzle line and check the pressure. On most systems the pressure should be set at 100 psi.

9. No oil at the jet line indicates some sort of delivery problem:

Check the coupling and confirm that the fuel unit drive shaft is turning.

Check vacuum. Very high vacuum indicates a restriction (or possibly a very long distance to the tank). No vacuum may indicate an air leak if the tank is below the burner.

Remove the side cover from the pump. Excessive dirt will require that the pump screen is cleaned and the pump may have to be replaced.

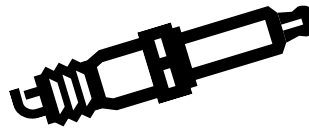
10. Good oil delivery at 100 psi and a clean oil sample indicates that the problem is in the oil burner itself:

Check the nozzle, the transformer, and the electrodes. The problem is somewhere in this area.

Conclusion:

These steps will allow you to work on any oil burner system with confidence. When working on any furnace, boiler, or mechanical system always look for logical procedures to follow that will allow you to quickly eliminate the unlikely areas and get right to the problem.

Reproduced by special permission of: **Oilheating Magazine.**

**Part Number:** KK100**Description:** KK100 Koupling King II**Packaging:** Carded w/hanger knockout**Includes:**

Coupler assembled with 1/2" motor shaft end, and a 5/16" fuel unit shaft cap on the other. A 7/16" fuel unit shaft end cap is also enclosed. Over-all 5" assembled coupler length.

**Part Number:** KK400**Description:** Ultra Pioneer Koupling Kit**Packaging:** Flambeau utility box**Includes:**

The Ultra Coupling Kit provides everything the service technician needs for instant, on-the-job burner coupling repair and replacement. Packaged in a sturdy tool box. Each kit contains:
10 - 12" length coupler shaft tubing
24 - 1/2" end caps - grey
16 - 5/16" end caps - green
8 - 7/16" end caps - orange
2 - 5/8" end caps - blue
2 - 3/8" end caps - yellow
1 - Torrington adapter
1 - Handi-Kutter tool
1 - 10 pk. repl. blades for Kutter
1 - Instruction sheet

**Part Number:** KK100B-06**Description:** KK100 - Bulk 6/pk.**Packaging:** Poly bagged & tagged**Includes:**

6 - KK100 Couplers assembled with 1/2" motor shaft end cap, and a 5/16" fuel unit end cap on the other. Also includes 6 - 7/16" end caps. This kit will meet most coupler replacement needs. Over-all 5" assembled coupler length.

**Part Number:** KK112**Description:** KK112 Koupling King II - 12/Pack**Packaging:** Boxed in attractive carton**Includes:**

Everything needed to replace almost any defective domestic burner coupler.
12 ea. 6" x 1" OD assembled couplers with 1/2" and 5/16" end caps. (Over-all 6" coupler length)
4 ea. 1/2" motor end caps
8 ea. 7/16" pump end caps
3 ea. 5/16" pump end caps



OEM Ready Fit Couplers

- Ready to use on the most popular burners
- No cutting or fitting necessary
- Strong and lightweight
- 12 assembled couplers per box
- Unaffected by humidity
- Unaffected by oil and most chemicals
- Made in the U.S.A.
- Reliable



Our Pioneer brand OEM couplers are cut to the exact size for the below listed OEM models. A great way to save time on tune-ups and quick repairs.

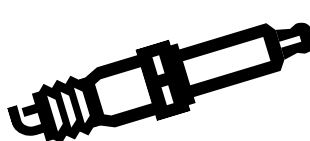
Part Number	OEM Name	OEM Model
KK500B	Beckett	2454
KK500C	Carlin	201 - 301 CRD
KK500CA	Carlin	99RJE, 1020J, CRD 98-102
KK500CA-1	Carlin	1020 Mini pump
KK500W	Wayne	13279
KK500WA	Wayne	100386
KK500WM	Weil-McLain	QB180 & QB300

NOTE: Custom lengths are available to quote

Part Number: KK120**Description:** KK120 Koupling King II**Packaging:** Carded w/hanger knockout**Includes:**

Coupler assembled with 1/2" motor shaft end cap on one side, and a 1/2" fuel unit shaft on the other. 5" over-all coupler length. Other end cap sizes include 5/8", 7/16", 3/8", and 5/16".





Bulk Pioneer Coupling Tubing

Our coupler tubing is made of the same ridged urethane tubing used in our popular KK100 coupler kits. Great for making your own custom lengths.



Part Number	Tube OD	Tube Length
1T06	1"	6"
1T12	1"	12"
1T15	1"	15"
1T36	1"	36"

Bulk Pioneer Coupling End Caps

Our super strong plastic end caps are tough. Built to take high torque, shock starts, and stops.



Part Number	Shaft Size	Color Code
5/16	5/16	Green
3/8	3/8	Yellow
7/16	7/16	Orange
1/2	1/2	Gray
5/8	5/8	Blue

Part Number: 1T06B

Description: Pioneer Koupling Kit
Packaging: Poly bagged & tagged
Includes:
 This coupler packaging style rivals WW kit #:101 or S85-520
 1 - 6" koupling shaft
 2 - 1/2" end caps
 1 - 7/16" end caps
 2 - 5/16" end caps



Part Number: HKB-10

Description: Handi-Kutter replacement blades
Packaging: Plastic container
Includes:
 10 - stainless steel replacement blades. These blades are razor sharp, so please use caution when handling them. Blades are easy to install. Using a #2 flat screw driver remove screws holding existing blade, remove old blade, position new blade with sharp edge facing the cutting area, and secure in place with screws previously removed.



Part Number: TA

Description: Splined Hub-Adapters
Packaging: Bulk
Includes:
 Four designed splines within the Hub provide for sure gripping action for quick starts. Specifically designed for use with Torrington Blowers. Dimension are: 1" Hub Length, 1 1/8" Hub ID, 1 1/4" Hub OD, 11/16" L X 1/2" OD male connector 1 11/16" Over-all length



Part Number: HK

Description: Koupling King Handi-Kutter
Packaging: Boxed in attractive carton
Includes:
 The Pioneer Handi-Kutter comes fully assembled and ready to serve all your coupler cutting needs.



Part Number: 1T06A

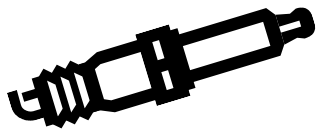
Description: Pioneer Koupling Kit
Packaging: Poly bagged & tagged
Includes:
 This coupler packaging style rivals WW kit #:99A or S85-510
 1 - 6" koupling shaft
 2 - 1/2" end caps
 2 - 7/16" end caps
 1 - 5/16" end caps



Part Number: KK100HK

Description: KK100 Koupling King II & Kutter
Packaging: Poly bagged & tagged
Includes:
 Coupler assembled with 1/2" motor shaft end, and a 5/16" fuel unit shaft cap on the other. A 7/16" fuel unit shaft end cap is also enclosed. Over-all 5" assembled coupler length. Our Handi-Kutter coupling cutter is also included.





B & G / Armstrong Circulator Couplers

The Original
B & G
Coupler

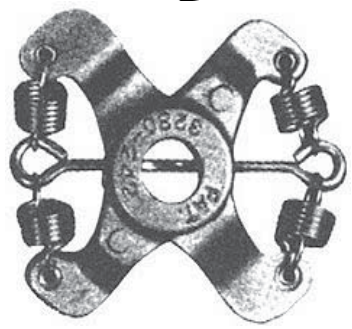


Photo	Crown Part Number	Armstrong Part Number	B & G New Part Number	Shaft Size	Type
	41100	810120-008	186410	5/8" X 1/2" ID	Iron
	41101	816665-000	118476	5/8" X 5/8" ID	Iron
No Photo	41102	806168-001	118723	1/2" X 1/2" ID	Iron
	41288	810120-006	118709	1/2" X 5/8" ID	Iron
	41289	810120-003	118473	1/2" X 1/2" ID	Iron
	41299	806026-001	118705	1/2" X 1/2" ID	Zinc
	41300	806026-001	118705	1/2" X 1/2" ID	Iron

Spring / Coiled Circulator Couplers



Crown Part Number	Description	HP Range	Type
10010	1/2" X 1/2" ID X 1-5/16" L	1/12 to 1/3 HP	Spring / Coiled
10023	5/8" X 1/2" X 1-7/8" L	1/2 to 3/4 HP	Spring / Coiled
10034	5/8" X 5/8" X 2-1/4" L	1 HP	Spring / Coiled
10045	Taco coupler	1/4 to 1 HP	Spring / Coiled
70010	1/2" X 3/8" X 1-7/8" L	1/12 to 1/3 HP	Spring / Coiled

Part Number: 41285-12
Description: Hydronic circulator lube oil
Packaging: Bottled and boxed
Includes:
12 - 4 oz. bottles per case
A fine blend of hydronic circulator oil. The oil contains oxidation and corrosion inhibitors for maximum protection. Each bottle features the Zoom telescoping spout when dripping oil is an issue and for dispensing ease.



Part Number: 41286C
Description: Hydronic circulator lube oil
Packaging: Bottled and boxed
Includes:
36 - 2 oz. bottles per case
A fine industrial blend of hydronic circulator oil. The oil contains oxidation and corrosion inhibitors for maximum protection. Each bottle features a fold down spout in our standard packaging.



Section 6 - Burner & Pump Couplers



Woods Couplers and Rubber Inserts



The Wood's Sure-Flex® coupler can be installed quickly and easily, because there are no bolts, gaskets, covers or seals. Alignment can be checked with a straight-edged ruler placed across the outside of the precision machined flanges. No special tools are needed for installation, alignment, or removal. Sure-Flex® means no lubrication, no maintenance, and no problems!



Type J flanges size 3J and 4J are die cast of high strength Zinc alloy. Sizes 5J and 6J are made of high strength cast iron and all are finished bored to size for a slip on fit on a standard shaft. The outside diameter of the flange is machined so the surface may be used to check the alignment without a special tool.

Crown Part Number	Description
41904	3J X 1/2" Coupler End
41905	3J X 5/8" Coupler End
41903	4J X 1" Coupler End
41906	4J X 1/2" Coupler End
41926	4J X 3/4" Coupler End
41907	4J X 5/8" Coupler End
41915	4J X 7/8" Coupler End
41931	5J X 15/16" Coupler End
41919	5J X 1 1/8" Coupler End
41918	5J X 1" Coupler End
41908	5J X 1/2" Coupler End
41917	5J X 3/4" Coupler End
41909	5J X 5/8" Coupler End
41923	5J X 7/8" Coupler End
41929	6J X 1" Coupler End
41927	6J X 1 1/8" Coupler End
41930	6J X 1 3/8" Coupler End
41910	6J X 5/8" Coupler End
41928	6J X 7/8" Coupler End



Type S flanges are die cast of high strength cast iron and all are finished bored to size for a slip on fit on a standard shaft. They too can be used in combination with the standard JE rubber inserts.

Crown Part Number	Description
53340	5S X 1/2" Coupler End
53341	5S X 5/8" Coupler End
53342	5S X 3/4" Coupler End
53343	5S X 13/16" Coupler End
53344	5S X 7/8" Coupler End
53345	5S X 15/16" Coupler End
53346	5S X 1" Coupler End
53347	5S X 1 1/16" Coupler End
53348	5S X 1 1/8" Coupler End
53349	5S X 1 3/16" Coupler End
53350	5S X 1 1/4" Coupler End
53368	7S X 3/4" Coupler End
53369	7S X 7/8" Coupler End
53370	7S X 15/16" Coupler End
53371	7S X 1" Coupler End
53372	7S X 1 1/16" Coupler End
53373	7S X 1 1/8" Coupler End
53374	7S X 1 3/16" Coupler End
53375	7S X 1 1/4" Coupler End
53376	7S X 1 5/16" Coupler End
53377	7S X 1 3/8" Coupler End
53378	7S X 1 7/16" Coupler End
53379	7S X 1 1/2" Coupler End
53380	7S X 1 5/8" Coupler End
53381	7S X 1 7/8" Coupler End
53388	8S X 1 1/4" Coupler End
53397	8S X 1 7/8" Coupler End



JE series rubber inserts are molded one piece construction made from EPDM rubber. They are used in conjunction with any of these flanges listed.

NOTE: Other material types & styles are available.

Crown Part Number	Description
41911	3JE Rubber Insert
41912	4JE Rubber Insert
41913	5JE Rubber Insert
41914	6JE Rubber Insert
41924	7JE Rubber Insert
41916	8JE Rubber Insert
41925	9JE Rubber Insert
41920	10JE Rubber Insert
41934	11JE Rubber Insert



Part Number(s):

- 41411-48 (Specs. 2 3/4" OD x 3/4" ID x 3" Long)
- 41412-12 (Specs. 3 1/4" OD x 3/4" ID x 4" Long)
- 41416-48 (Specs. 2 3/4" OD x 1" ID x 3 5/8" Long)

Description: Clean Flow - Rayon replacement filters

Packaging: Poly bagged & corrugated carton

Includes:

Rayon filter elements individually packaged with gaskets. Dash numbers indicates number of filters per carton. Our "CLEAN FLOW", Rayon filter is a solid one piece construction...no felt fibers, or strings to hamper the oil flow.

Clean Flow Rayon Filters

41411-48 for use in

- Autoflo F-300
- Federal A77
- General 1A-25A
- Sid Harvey XF-25/264
- Unifilter 77
- Westwood S-254

41412-12 for use in

- Autoflo F-400
- General 2A-700A
- Sid Harvey XF-1
- Unifilter 99
- Westwood S-252

41416-48 for use in

- Fulflo F-B4, AS-4, & B-4



Characteristic's

Color	White
Surface Area, in ²	52
Volume, in ³	12
Firing Rate, GPH	10
Clean Press. Drop	0.4
Dirt Capacity, oz.	1.4
Ending Press. Drop	10.00
Filtration Depth	Medium
Micron Range	25 to 50

Part Number:

41420-12 (Replaces General 2A-700A)

Description: Felt filter elements

Packaging: Individually bagged with gaskets

Includes:

12 - Individual filters with gaskets. Made for domestic fuel oils. Made of felt discs. This 40 micron rated filter removes impurities that might hamper the burner's operation.

Filtering Felt Filters - 12 Pk.



Part Number:

- 41418-30 (Replaces Fulflo FB-6")
- 41419-30 (Replaces Fulflo FB-8")
- 41421-30 (Replaces Fulflo FB-10")

Description: String Cotton filter elements

Packaging: Bulk & corrugated carton

Includes:

30 - Individual filters **WITHOUT** gaskets. Made for domestic fuel oils. Made of all wool string. This 40 micron rated filter removes impurities that might hamper the burner's operation.

Wool Brand Filters - Bulk



Part Number:

- 41418-06 (Replaces Fulflo FB-6")
- 41419-06 (Replaces Fulflo FB-8")
- 41421-06 (Replaces Fulflo FB-10")

Description: String Cotton filter elements

Packaging: Bulk & corrugated carton

Includes:

6 - Individual filters **WITHOUT** gaskets. Made for domestic fuel oils. Made of all wool string. This 40 micron rated filter removes impurities that might hamper the burner's operation.

Wool Brand Filters - 6 Pk.



Part Number (s):

- 41440 (individual filter)
- 41440-12 (case of 12 filters)

Description: Wix filter elements

Packaging: Individually boxed

Includes:

- 1 - boxed filter or
- 12 - boxed filters in a master carton.

Heating Units, Small Engines & Steam Jennies

This spin-on filter provides effective filtration for a number of applications. The steel housing is strong and durable while the paper filter element delivers a clean supply of fuel for faultless combustion.

UL Recognized strainer for #2 oil or lighter.



UL file: MP2569
UL style: 24104

Specifications:

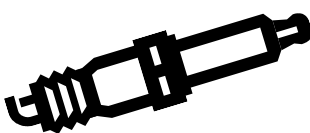
- Dimensions 4 1/2" Hgt. X 2 5/8" OD
- Maximum flow rate is 6 GPH
- Compact design
- Micron rating is 10

10 MICRON



Your Single Source!

P.O. Box 846 - Farmingdale, NJ 07727



Customer Service
* Tel: (800) 631-2153
* Fax: (888) 645-7278
www.crownengineering.com

Part Number: 41415-48

Description: String Cotton filter elements

Packaging: Bagged w/gasket in corrugated carton

Includes:

48 - Individual filters with gaskets.
Made for domestic fuel oils. Made of all wool string. This 40 micron rated filter removes impurities that might hamper the burner's operation. Replaces FB-4 elements.



Part Number(s):

41439 (Complete UL listed filter system - Individually Pkg.)

41439-06 (Complete UL listed filter system - 6 Pack)

Description: Complete UL listed filter system

Packaging: Individually boxed

Includes:

1 - Individually boxed filter system or
1 - 6 pack of boxed filter system.

Our newly designed Quick Spin III™ filtration system is now better than ever! It's the filter style of the future with our new triple leak protection shell that is tin plated carbon steel, epoxy coated, and an internal plastic base to prevent rust-out bottoms that other comparable filters are prone to.

As always our triple leak protection filter head is made of casted aluminum and incorporates a post gasket seal, a ridged rim that grips the seal gasket, and an outer lip that encloses the entire unit...safety first! And don't forget the practical benefits like a flat bottom, so your can doesn't spill oil all around the floor.

Our wholesale distributor's like the flat bottom design because they stack easily and our kit variety means they can offer a wider range of filtering combinations to meet their customers needs.

To top it off our Quck Spin III™ filtration system is UL listed for use in the USA and Canada with superior 10 micron filtration that effectively removes rust, scale, and other microscopic impurities that might hamper burner operation.

UL listed for use in USA and Canada



UL file: MH25548
UL Style: 41439

Filter Characteristic's for 41439

Canister type.....Carbon steel, tin plated & epoxy coated

Melting point.....1100°F

Certification.....UL & CUL Listed

Micron Rating.....10

Dimensions.....4 5/8" H x 3 7/16" DIA

Rated flow rate.....25 USgph

Filtering area.....550 square inches

Rated work psi.....12 P.S.I.

Filtering media.....Resin treated cellulose

Rated work temp.....Up to 140°F

Max. working psi.....35 P.S.I.

UL file number.....MH 25548

UL Style.....41439

Our 41439 Filter Replaces or fits:

Crown: Quick-Spin I & II

Garber: 11V-R

Mitco: 290M and 264-91M

Nozzle Guard: NG-3300-G

Sid Harvey: 290-6 and 264-91

Westwood: F100-10

Wix: 24100



Part Number(s):

41436 (Individually boxed element w/gasket)

41436-06 (6 pack of individually boxed element w/gasket)

Description: Replacement element only (80000850)

Packaging: Individually boxed w/gasket & 6/pack ctn.

Includes:

1 - Individually boxed filter element with gasket or

6 - Individual boxed filter elementd with gasket in carton

Designed for superior filtration, 10 micron!

Our Quick Spin III™ replaces Gar-Ber's® R cartridge and mounts on existing Gar-Ber® heads, or you can use our own (see part number 41437).

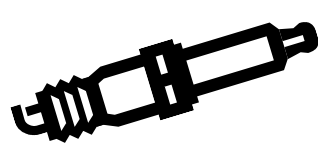


UL file: MH25548
UL Style: 80000850



Your Single Source!

P.O. Box 846 - Farmingdale, NJ 07727



Customer Service
• Tel: (800) 631-2153
• Fax: (888) 645-7278
www.crownengineering.com

Section 7 - Oil Handling, Gauges, & Smoke Bombs

Part Number: 41436K

Description: Spin on filter - Complete System

Packaging: Individually boxed

Includes:

- 1 - Filter element
- 1 - Mounting head
- 1 - Mounting bracket with hardware
- 1 - Vacuum gauge 0 - 30 hg, 1/8" NPT



UL file: MH25548
UL Style: 41439

Part Number: 41436G

Description: Filter System less bracket

Packaging: Individually boxed

Includes:

- 1 - Filter element
- 1 - Mounting head
- 1 - Vacuum gauge 0 - 30 hg, 1/8" NPT



UL file: MH25548
UL Style: 41439

Part Number: 41439-06

Description: "Quick Spin III™," Spin on filter - Elements with head

Packaging: Individually boxed in carton

Includes:

6 - filter elements with 6 head mounts & post gaskets
Effectively removes rust, scale and other microscopic impurities that might hamper the burner's operation.



UL file: MH25548
UL Style: 41439

Part Number: 41436M

Description: Filter System less gauge

Packaging: Individually boxed

Includes:

- 1 - Filter element
- 1 - Mounting head
- 1 - Mounting bracket with hardware



UL file: MH25548
UL Style: 41439

Part Number: 41403

Description: Spin on filter mounting bracket

Packaging: Individually bagged & tagged

Includes:

1 - mounting bracket with hardware.
Our steel zinc plated bracket will stand up to a variety of hostile environments and vibrations.



Part Number: 41437

Description: Spin on head mount only

Packaging: Individually bagged & tagged

Includes:

1 - filter head mount - with plugged gauge port.
The "Quick Spin III™" head mount is made of casted aluminum. The head includes two 3/8" NPT, inlet & outlet ports and a 1/8" NPT gauge port, loc-tight sealed and plugged (vacuum gauge not included).



Part Number: 41431

Description: Spin on filter adaptor kit

Packaging: Individually bagged & tagged

Includes:

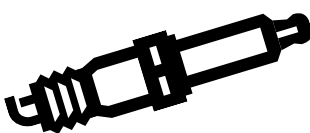
1 - adaptor kit mounting rod with gaskets.
Our adaptor kit allows you to mount our Quick-Spin III™ filter onto General 1A25A & 264 heads for easy modification and adaptation without welding. Use existing heads for maximum filtration with just a couple twists of the wrench. A great way to improve filtration without extra effort.





Your Single Source!

P.O. Box 846 - Farmingdale, NJ 07727



Customer Service
* Tel: (800) 631-2153
* Fax: (888) 645-7278
www.crownengineering.com

Part Number (s):

- 41402 - Vacuum gauge (0 to -30" Hg. - 1/8" NPT)
- 41402C - Vacuum gauge (0 to -30" Hg. - 1/8" NPT - Color coded)
- 41406 - Vacuum gauge (0 to -30" Hg. - 1/4" NPT)

Description: Vacuum gauges

Packaging: Individually Boxed

Includes:

1 - vacuum gauge boxed from the above list.
Our vacuum gauges features a easy to read 2" face, is made of high impact acrylic bezel, with a 1/8" or 1/4" NPT bottom mount. Can be used in a variety of applications.



41402



41402C



41406

Part Number (s):

- 41404 - Pressure gauge (0 to 30 PSI - 1/8" NPT)
- 41405 - Pressure gauge (0 to 300 PSI - 1/4" NPT)
- 41452 - Pressure gauge (0 to 30 PSI - 1/4" NPT)
- 41456 - Pressure gauge (0 to 200 PSI - 1/8" NPT)
- 41457 - Pressure gauge (0 to 300 PSI - 1/8" NPT)
- 41466 - Pressure gauge (0 to 60 PSI - 1/8" NPT - 1 1/2" FACE)

Description: Pressure gauges

Packaging: Individually Boxed

Includes:

1 - pressure gauge boxed from the above list.
Our pressure gauges features a easy to read 2" face, is made of high impact acrylic bezel, with a 1/8" or 1/4" NPT bottom mount. Can be used in a variety of applications.



41404



41405



41452



41456



41457



BACK MOUNT
41466

Part Number (s):

- 41460 - Tridicator gauge (Short stem 2.48" Long)
- 41462 - Tridicator gauge (Long stem 3.62" Long)

Description: Tridicator / Boiler gauges

Packaging: Individually Boxed

Includes:

1 - tridicator gauge from the above list.
Our tridicator gauges features a easy to read 2 1/2" face, is made of drawn steel with corrosion resistant paint, center back mounting and a high impact polycarbonate window with chrome plated steel ring, with a 1/4"-18 NPT thread. Specifically designed to withstand conditions normally encountered in domestic hot water heating systems. Dual temperature ratings are: 60°F to 320°F / 20°C to 120°C and the pressure range is 0 to 75 PSI. It can be used in a variety of applications.



Part Number: 41463

Description: Thermometer with spud well

Packaging: Individually Boxed

Includes:

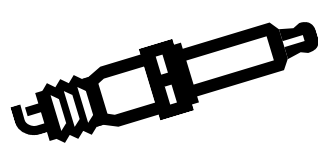
1 - Thermometer individually boxed.
Our thermometer has an easy to read 2 1/2" face, is made of drawn steel with corrosion resistant paint, center back mounting and a high impact polycarbonate window with chrome plated steel ring, with a 1/2" NPT removable brass well (2" long from back plate of gauge). Specifically designed to withstand conditions normally encountered in domestic hot water heating systems. Dual temperature ratings are: 32°F to 248°F and 0°C to 120°C. It can be used in a variety of applications.





Your Single Source!

P.O. Box 846 - Farmingdale, NJ 07727



Customer Service
• Tel: (800) 631-2153
• Fax: (888) 645-7278
www.crownengineering.com

Section 7 - Oil Handling, Gauges, & Smoke Bombs

Our oil lines are made of genuine Mueller Streamline[®] dehydrated and nitrogen purged sealed copper tubing. It is of a consistent dead soft temper, bright, and thoroughly dried. A cleaning and drying process removes moisture and contaminants and is manufactured in accordance with ASTM-B-280 and ANSI-B9.1 refrigeration industry standards. We do the field work for you...we cut, add flair nuts, flair each open end, & package. We offer a variety of lengths to meet your needs!

Crown Part Number	Dimension	Form
40449	3/16" Dia. x 16" Long	Straight
40450	3/16" Dia. x 5" Long	Straight
40451	3/16" Dia. x 8" Long	Straight
40452	Weil McLain Oil line	644-000-064
40454	3/16" Dia. x 12" Long	Straight
40455	3/16" Dia. x 16" Long	Coiled
40456	1/4" Dia. x 16" Long	Straight
40457	1/4" Dia. x 16" Long	Coiled
40458	1/4" Dia. x 12" Long	Straight
40461	1/4" Dia. x 8" Long	Straight
40463	1/4" Dia. x 5" Long	Straight
40459	3/16" x 1/4" M/F	Reducer M/F
63454	#41 - 3/16 Standard	Flare nut
63456	#41 - 1/4 Standard	Flare nut



Part Number: 40360
Description: Miller oil line kit
Packaging: Poly bagged & tagged
Includes:
 1 - 13494 elbow adapter
 1 - 40459 flare reducer
 1 - 40361B 3/16" Dia. X 7" Long oil line
 1 - 40362B 3/16" Dia. X 11" Long oil line
 1 - Instruction sheet

This convenient kit has everything you need to update a variety of Wayne burners, as well as, Miller mobile gun furnaces equipped with power oil burners.



Part Number(s):
 60676-10
 60676-50
 60676-100

Description: Model "J,H,S" pump strainers - gasket only
Packaging: Poly bagged & tagged
Includes:
 A variety of packaging schemes: 10pk., 50pk or 100pk. of Strainer gaskets in a poly bag.
 Our gaskets are impervious to oil, and insure a tight seal.
 Used in Suntec models J and H pumps.
 Suntec part #: 110441



Part Number: 40470
Description: Silent Flow Anti-Hum Device
Packaging: Individually boxed
Includes:
 1 - Silent flow with 1/2" adaptor spring.

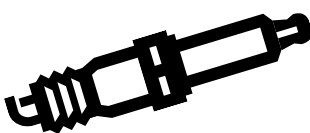
For use on all domestic type pressure atomizing oil burners. Silent flow includes a 1/2" adapter for use with 1/2" Dia. copper tubing and an easy to follow instruction sheet. Simple to install and effective in reducing oil line noise.



Part Number(s):
 60678-10
 60678-50
 60678-100

Description: Model "A" pump strainers - gasket only
Packaging: Poly bagged & tagged 12/pkg.
Includes:
 A variety of packaging schemes: 10pk., 50pk or 100pk. of Strainer gaskets in a poly bag.
 Our gaskets are impervious to oil, and insure a tight seal.
 Used in Suntec model A pumps.
 Suntec part #: 3779801





Part Number:

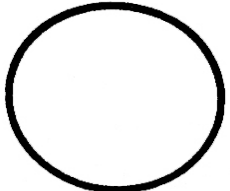
- 60681-25 (25 pk. of O-rings)
- 60681-50 (50 pk. of O-rings)
- 60681-100 (100 pk. of O-rings)
- 60682-25 (25 pk. of optional cover gaskets)
- 60682-50 (50 pk. of optional cover gaskets)
- 60682-100 (100 pk. of optional cover gaskets)

Description: O-Ring & Optional pump cover gasket for Riello™

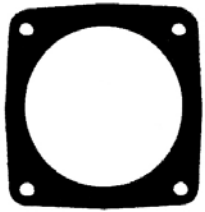
Packaging: Poly bagged & tagged

Includes:

1 Pack of either 25, 50, or 100 pcs. of above O-ring or gasket. conveniently packaged in re-sealable zip lock bags. Both gaskets are impervious to oil and will ensure a tight seal on all your Riello tune-ups.



60681



60682

Part Number: 43030

Description: Rope type Tank gauge

Packaging: Individually boxed

Includes:

1 - Tank gauge

Our tank gauge is designed in Germany and can be used in 44" oval tanks with at least one 1 1/2" diameter bushing. The cord is impervious to oil and durable. This gauge features an easy to read 2 1/2" face and extra large easy to read number and letters. Can be adapted to use in 2" bushing with adaptor. (not included).



TUV Tested Flow Control® de-aerator

Part Number: 43000 - TUV Tested Flow Control®

Description: Flow Control® de-aerator

Packaging: Individually boxed

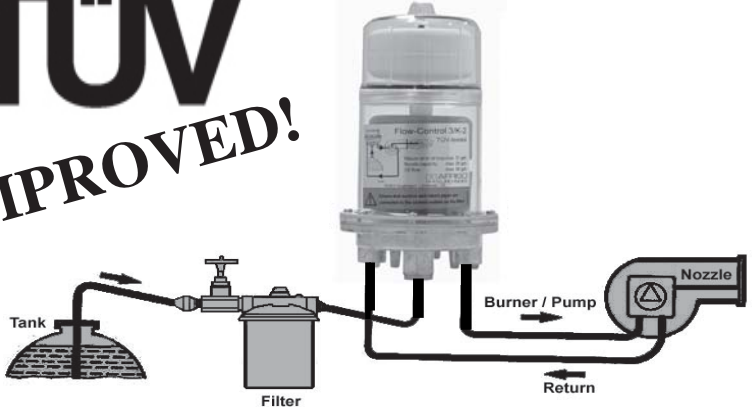
Includes:

- 1 - Flow Control® de-aerator & hardware
- 1 - Installation instructions

Flow Control® is a unique product that allows for the safest possible transport of oil between the oil tank and the oil burner.

Incorporating the advantages of the two pipe system in only one oil line. Prevent break-downs before they occur due to air, dirt, and nozzle clogging. This product works!

TUV IMPROVED!



Look at all the advantages

- " Fewer breakdowns " No return line leakage " Less soot build-up " Simpler and cheaper installations " Cleaner exhaust gases
- " Smaller pipe dimensions " Lower oil consumption " Easier trouble spotting " More burners on one suction line " Fewer problems with suction leakage and long oil lines " Pre-heated oil

Technical Data:

Max. nozzle capacity: 18.5 GPH	Max. return oil pumped: 37 GPH	Max. oil flow: 50 GPH
Separating capacity: Up to 4 l/h	Max. ambient temp.: 140°F (60°C)	Max. operating temp.: 140°F (60°C)
Operating suction pressure: 7.5 psi max.	Operating over pressure: 10 psi max.	Pressure test of pipe system: 85 psi max.
Pump connections: 1/4" NPT inner thread	Tank connection: 1/4" NPT inner thread	Dimensions: 3.74" X 3.74" X 5.73"



Your Single Source!

P.O. Box 846 - Farmingdale, NJ 07727



Customer Service

Tel: (800) 631-2153

Fax: (888) 645-7278

www.crownengineering.com

Section 7 - Oil Handling, Gauges, & Smoke Bombs

Part Number: 45673

Description: Model "A & B," pump strainer

Packaging: Individually boxed with gasket

Includes:

Strainer and matching gasket as specified above
Made of stainless steel mesh, attached to sturdy nylon ends for long lasting support. Our ribbed design insures maximum filtration.

Used in Suntec models A & B pumps.

Suntec part #: 3715744 - (1 5/8" tall).



Part Number: 45677

Description: Model "B," pump strainer

Packaging: Individually boxed with gasket

Includes:

Strainer and matching gasket as specified above.
Made of stainless steel mesh, attached to sturdy nylon ends for long lasting support. Our ribbed design insures maximum filtration.

Used in Suntec models A pumps.

Suntec part #: 3715171 - (1 3/8" tall).



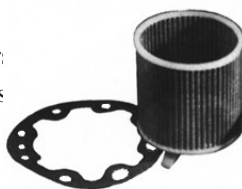
Part Number: 45674

Description: Model "J,H,S," pump strainer.

Packaging: Pkg. of 4 strainers with gaskets

Includes:

4 - Strainers and 4 - Strainer gaskets
Made of stainless steel mesh, attached to sturdy nylon ends for long lasting support. Our ribbed design insures maximum filtration. Used in Suntec models J and H pumps. Suntec part #: 131622 - (2 1/8" tall).



Part Number: 45678

Description: Model "A" pump strainers

Packaging: Individually boxed with gasket

Includes:

Strainer and matching gasket as specified above.
Made of stainless steel mesh, attached to sturdy nylon ends for long lasting support. Our ribbed design insures maximum filtration. Used in Suntec model A70 pumps. Suntec part #: 3715101 (1 1/8" tall).



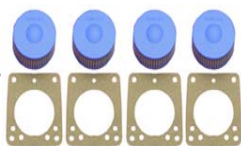
Part Number: 45675

Description: Model "A" pump strainers

Packaging: Pkg. of 4 strainers with gaskets

Includes:

4 - Strainers and 4 - Strainer gaskets
Made of stainless steel mesh, attached to sturdy nylon ends for long lasting support. Our ribbed design insures maximum filtration. Used in Suntec model A70 pumps. Suntec part #: 3715101 - (1 1/8" tall).



Part Number: 45678-50

Description: Model "A" pump strainers

Packaging: 50 Boxes per case

Includes:

50 individually boxed strainers with gaskets packed in a master carton.
Don't get caught short handed. Buy'em by the case!
Made of stainless steel mesh, attached to sturdy nylon ends for long lasting support. Our ribbed design insures maximum filtration. Used in Suntec model A70 pumps. Suntec part #: 3715101 - (1 1/8" tall).



Part Number: 45676

Description: Model "J,H,S," pump strainer

Packaging: Individually boxed with gasket

Includes:

Strainer and matching gasket as specified above.
Made of stainless steel mesh, attached to sturdy nylon ends for long lasting support. Our ribbed design insures maximum filtration.
Suntec part #: 131622 - (2 1/8" tall).



Part Number: 45681

Description: Riello™ pump strainer

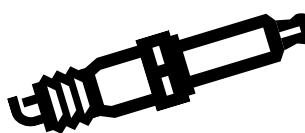
Packaging: Individually boxed w/O-ring gasket

Includes:

1 ea. Strainer and 1 ea. matching O-ring gasket.
Made of stainless steel mesh, attached to sturdy nylon ends for long lasting support. Gasket is impervious to oil. Used on models F3 to F20 and R35. Riello part #: 3005719



NOTE: Riello optional pump cover gasket is available
Ask for P/N: 60682 sold in 10 - 25 - 100 pks.



Part Number: 43003

Description: Firomatic® Fusible Valve

Packaging: Poly bagged & tagged

Includes:

1 - Firomatic® Fusible Valve Designed to automatically close when acted upon by heat of 165° F, manufactured primarily for oil burner installations. This valve has been designed with the fusible element in the handwheel, simply replace the low cost handwheel to reset and restore the valve, eliminating the need to replace the valve. These valves can be operated manually and are provided with self-adjusting stuffing box and back seat features, which prevents leaks at the valve stem.



3/8" (F) NPT

1/4" (m) NPT

Part Number:

43005 - 24" L x 1/2" Flexible Hose

43006 - 36" L x 1/2" Flexible Hose

Description: Flexible Steel Zinc Plated Braided Hose

Packaging: Poly bagged & tagged

Includes:

1 - Flexible hose from above list with 1 adaptor fittings
These hoses have a 1/4" NPT fittings on both ends, for expediting the installation of the Tigerloop® or Flow Control® de-aerator. Made from Perbunan rubber (inside), which is impervious to oil, water and air. This product has a diversity of uses.

Extra adaptors are available, our P/N: 43009

Specifications

Pressure rating:	143 psi
Max. Operating Temp:	165° F
Max. Flow Rate:	20GPH
Suction:	6 Bar



NOTE: Fits or replaces Buderus #108902

Part Number:

43019 - 24" L x 1/2" Flexible Hose

43020 - 36" L x 1/2" Flexible Hose

Description: Flexible Steel Zinc Plated Braided Hose

Packaging: Poly bagged & tagged

Includes:

1 - Flexible hose from above list

We are proud to introduce our new 36" long galvanized blue braided hose.

This hose features:

(2) 3/8" female flare swivel ends to accommodate swinging door burner installations and hose replacement.

-No more hose twisting!

-Inside flare ensures a snug fit.

-Swivel ends make installation simple.

-Tested by the manufacturer to meet industry standards.



Part Number:

43021 - 36" L x 1/2" Bio-fuel flexible hose

Description: Flexible Steel Zinc Plated Braided Hose

Packaging: Poly bagged & tagged

Includes:

1 - Flexible hose from above list with 1 adaptor fittings

These hoses have a 1/4" NPT fittings on both ends, for expediting the installation of the Tigerloop® or Flow Control® de-aerator. Made from Perbunan rubber (inside), which is impervious to oil, water and air. This product has a B100 Bio-fuel rating. Look for the "Green Colored" braid. This hose specializes in enduring harsh oil environments. Slightly more rigid for durability.

Extra adaptors are available, our P/N: 43009

Specifications

Pressure rating:	143 psi
Max. Operating Temp:	165° F
Max. Flow Rate:	20GPH
Suction:	6 Bar



NOTE: Fits or replaces Buderus #108902



Part Number:

43022 - 24" L x 1/2" Flexible Hose

43023 - 36" L x 1/2" Flexible Hose

Description: Flexible Steel Zinc Plated Braided Hose

Packaging: Poly bagged & tagged

Includes:

1 - Riello Flexible hose from above list

These hoses have a 1/4" (m)NPT removable fittings on one end, and a 3/8" (f)NPT swivel flare fitting on the other end. It's a "one, two punch" equates to easy installation and maintenance of Riello burners. The swivel really speeds up the installation process. Made from Perbunan rubber (inside), which is impervious to oil, water and air. This product has a diversity of uses.

Specifications

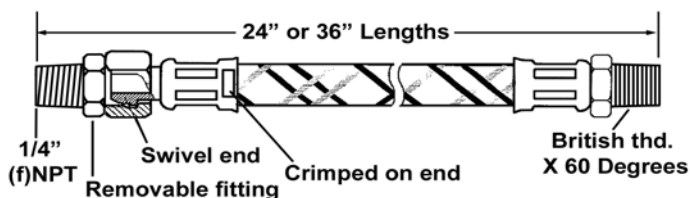
Pressure rating: 143 psi

Max. Operating Temp: 165° F

Max. Flow Rate: 20GPH

Suction: 6 Bar

**NEW - NEW - NEW
RIELLO HOSE**



Part Number (s):

OSVA38 - 3/8" Oil Safety Valve

OSVA50 - 1/2" Oil Safety Valve

Description: Webster® Oil Safety Valves

Packaging: Individually boxed

Includes:

1 - Webster® oil safety valve from above list

The Webster® oil safety valve is ideal for use in oil supply systems which have from zero to 60 psi supply line pressure on the inlet side of the valve, but requires a sustained vacuum on the outlet side of the valve for the fuel to flow to the burner pump. This unit is UL Listed for #2 fuel oil or lighter at 60 psi maximum inlet pressure.

Look at all the advantages:

Relieves pressure strain on fuel pump inlets

Prevents siphoning of fuel tanks

Prevents spilling due to accidental line breakage

Use OSVA38 for 3/8" pipe & ports 3/8 - 18 NPTF

Use OSVA50 for 1/2" pipe & ports 1/2 - 14 NPTF



UL file: MH10129
UL Style: OSV38 & 50



Part Number (s):

100APF - 3/8" NPT(f) VALVE

105APF - 3/8" FLARE VALVE

141TF - 1/2" NPT(m) X 3/8" NPT(m) TANK VALVE

B100CV - 3/8" NPT(f) CHECK VALVE

B100F - 3/8" NPT(f) VALVE

B100L - 3/8" NPT(f) LEVER VALVE

B104CF - 3/8" FLARE X 1/4" NPT(m) X 1 5/8" LONG SHANK ANGLE VALVE

B104CFXL - 3/8" FLARE X 1/4" NPT(m) X 2" LONG SHANK ANGLE VALVE

B105HCV - 3/8" FLARE CHECK VALVE

B105F - 3/8" FLARE VALVE

B200CV - 1/2" NPT(f) CHECK VALVE

B200F - 1/2" NPT(f) VALVE

B200L - 1/2" NPT(f) LEVER VALVE

B204CF - 1/2" FLARE X 1/4" NPT(m) X 1 5/8" LONG SHANK ANGLE VALVE

B205APF - 1/2" FLARE ALL PURPOSE / ANTI-HUM VALVE

B205F - 1/2" FLARE VALVE

B300F - 3/4" NPT(f) VALVE

B400F - 1" NPT(f) VALVE

HW165 - 165° F REPLACEMENT HAND WHEEL - "SILVER"

HW200 - 200° F REPLACEMENT HAND WHEEL - "COPPER"

Description: Firomatic® Fusible Valves

Packaging: Poly bagged & tagged

Includes:

1 - Firomatic® Fusible Valve from above list

Designed to automatically close when acted upon by heat of 165°F, unless otherwise specified. These valves has been designed with the fusible element in the handwheel, simply replace the low cost handwheel to reset and restore the valve, eliminating the need to replace the valve. These valves can be operated manually and are provided with self-adjusting stuffing box and back seat features, which prevent leaks at the valve stem. Valve bodies are made of machined brass or cast bronze to reduce the erosion caused by fuel oil. The other internal parts are designed for long life and dependability. The best in it's class! All the fusible valves up to 1/2" NPT are UL listed!



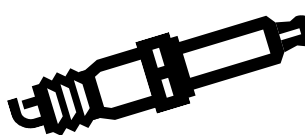
See Photos on next page

Section 7 - Oil Handling, Gauges, & Smoke Bombs



Your Single Source!

P.O. Box 846 - Farmingdale, NJ 07727



Customer Service

Tel: (800) 631-2153
Fax: (888) 645-7278
www.crownengineering.com

Firomatic® Products



UL file: MH4681
UL Style: Series 50, 100,
& 200 Firomatic valves.

UL listed for use in USA and Canada



100APF
3/8" NPT(f) VALVE - BZ



100CV
3/8" NPT(f) CHECK VALVE - BZ



105APF
3/8" FLARE VALVE - BZ



105HCV
3/8" NPT(f) CHECK VALVE - BZ



141TF
1/2" NPT(m) X 3/8" NPT(m)
TANK VALVE - BZ



B100CV
3/8" NPT(f) CHECK VALVE - BR



B100F
3/8" NPT(f) VALVE - BR



B100HCV
3/8" NPT(f) CHECK VALVE - BR



B100L
3/8" NPT(f) LEVER VALVE - BR



B104CF
3/8" FLARE X 1/4" NPT(m) X
1 1/4" L ANGLE VALVE - BR



B104CFXL
3/8" FLARE X 1/4" NPT(m) X
2" L ANGLE VALVE - BR



B105HCV
3/8" FLARE CHECK VALVE - BR



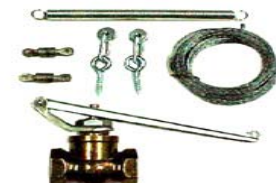
B105F
3/8" FLARE VALVE - BR



B200CV
1/2" NPT(f) CHECK VALVE - BR



B200F
1/2" NPT(f) VALVE - BR



B200L
1/2" NPT(f) LEVER VALVE - BR



B204CF
1/2" NPT(f) X 1/4" NPT(m) X
1 5/8" L ANGLE VALVE - BR



B205HCV
1/2" NPT(f) CHECK VALVE - BR



B205APF
1/2" FLARE ALL PURPOSE -
ANTI-HUM VALVE



B205F
1/2" FLARE VALVE - BR



B300F
3/4" NPT(F) VALVE - BR



B400F
1" NPT(F) VALVE - BR



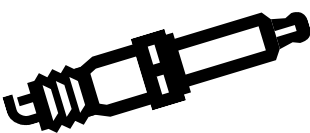
HW165
165° REPLACEMENT
HAND WHEEL - SILVER



HW200
200° REPLACEMENT
HAND WHEEL - COPPER

A & J,H,S oil pump strainers and gaskets - GTO cable 7mm
Industrial igniters - Gaskets - Electrodes & tune up kits -
and leads - Champion spark plugs - Pump couplers B & G -
gaskets - Gauge glass valves with rods - High temperature ceramic fiber rope - Industrial igniters & flame rods - Ignition terminal and transformer kits - Miller plate
& flange gaskets - Pump test kit - O.E.M. electrodes and igniters - Oil burner nozzles & adapters - Spin-On oil filters - Pioneer burner couplers - and much more!

- Oil De-aerator - Auburn® Products - Red Silicone cable 7mm
Blowout gun and CO₂ chargers - Buss bars - Cad cell eyes
Ignition terminals & kits - Setting gauges - Gaskets and cover
gaskets - Gauge glass valves with rods - High temperature ceramic fiber rope - Industrial igniters & flame rods - Ignition terminal and transformer kits - Miller plate
& flange gaskets - Pump test kit - O.E.M. electrodes and igniters - Oil burner nozzles & adapters - Spin-On oil filters - Pioneer burner couplers - and much more!



Part Number: 1002FD
Description: Valker® Fast Drying De-greaser
Packaging: Corrugated carton - sold in case lots only.
Includes:
 12 - 14 oz. aerosol cans per case.
 This dielectric, non-flammable solvent is fast drying, and ideal for de-greasing small mechanical parts, fans, electric motors, and equipment. Removes grease and oil from hard to reach places. It can even be used as a spot remover.



Part Number: 2001CF
Description: Valker® Chem Flush - 1
Packaging: Corrugated carton - sold in case lots only.
Includes:
 12 - 14 oz. aerosol cans per case.
 Chem-Flush - 1 opens fuel lines that are plugged due to ice and sludge build-up. Chem flush - 1 can also be use to clean the filter pump and nozzle strainer when used as a full maintenance or tune-up product. Therefore, greatly reducing the number of service calls due to plugged fuel lines during the heating season.



Part Number: 2007CV
Description: Valker® Chem Flush Valve
Packaging: Bulk - sold per each.
Includes:
 1 - Chem flush valve.
 The Chem-Flush - 1 valve is required when using Chem-Flush - 1 aerosol P/N: 2001CF. The valve consists of a dispensing cap, flow sight tube, pressure gauge, pressure relief valve with a threaded portion for easy adaption of a standard CO² gun.



Part Number: 2008CT
Description: Valker® Sight tube with cap
Packaging: Poly bagged & tagged
Includes:
 1 - Replacement sight tube
 This replacement sight tube is used in the Chem-Flush valve. They are sold per each.



Part Number(s):
 41900 - 1/2 Minute smoke candle - 12/pk. - 4,000 cu. ft.
 41900-06 - 1/2 Minute smoke candle - 6/pk. - 4,000 cu. ft.
 41901 - 1 Minute smoke candle - 12/pk. - 8,000 cu. ft.
 41901-06 - 1 Minute smoke candle - 6/pk. - 8,000 cu. ft.
 41902 - 3 Minute smoke candle - 12/pk. - 40,000 cu. ft.
 41902-01 - 3 Minute smoke candle - Per Each - 40,000 cu. ft.
Description: Smoke Candles
Packaging: Poly-bag
Includes:
 1 - 12/pk., 6/pk., or each from above list.
 Our Superior smoke detectors generate smoke by chemical reaction to pinpoint leaks in heating and air conditioning duct work. Smoke varies in color from white to gray depending upon density and lighting. Now featuring new quantity packaging! Now available in packages of 6 for the 1/2 minute and 1 minute sizes and per each in the 3 minute size.



Part Number: 41950
Description: Smoke test paper
Packaging: Poly bagged & tagged
Includes: 1 package of 50 strips
 Smoke test paper for Bach & Dwyer testers. Packed in a re-sealable zip lock bag with a generous supply of 50 strips per package.



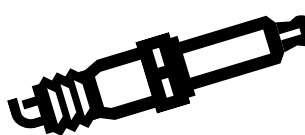
Part Number(s):
 S102 - 45 Second smoke emitter 10/pk. - 150 cu. ft.
 S103 - 90 Second smoke emitter 10/pk. - 600 cu. ft.
 S104 - 150 Second smoke emitter 5/pk. - 1100 cu. ft.
 S105 - 240 Second smoke emitter 5/pk. - 2500 cu. ft.
Description: Smoke Emitters
Packaging: Various
Includes:
 1 - Pkg. from the above list
 Our smoke emitters generate smoke by chemical reaction. Reveals leaks and other faults in heating and air conditioning duct work. Unique plastic cartridge makes for easy handling and disposal.





Your Single Source!

P.O. Box 846 - Farmingdale, NJ 07727



Customer Service

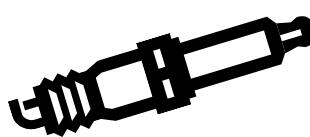
* Tel: (800) 631-2153
* Fax: (888) 645-7278
www.crownengineering.com

MANUFACTURER REPLISTING

PLEASE NOTE: Our Sales representatives are hired to help you. They can answer questions as to where you can purchase quality Crown parts. Please keep in mind that our reps do not sell our products. If you are a Wholesaler your local rep is listed here. Please do not hesitate to contact them. If you are an OEM (original equipment manufacturer), please contact the factory directly at: 800-631-2153 x210

Firm Name	Contact	Territory Covered
Contact Crown directly to: 1) To locate an authorized Crown dealer in your area. 2) If you are an OEM seeking parts for your ignition needs. Crown Engineering Corporation P.O. Box 846 - Farmingdale, NJ 07727 Tel#: (800) 631-2153 / Fax#: (888) 645-7278 Website: www.crownengineering.com E-mail: sales@crownengineering.com	Mr. Mike Palmer	AZ - FL -NM - NY -Long Island - NYC, NJ-North NY- South of Westchester County - Upstate New York - North of Westchester County - OH-Eastern - PA-Western - NC - SC - TN - WI - Eastern - WV
ETC Sales Company - P.O. Box 235 - Paoli, PA 19301 Tel#: (610)296-3527 / Fax#: (610)640-4271 E-mail address: monsgwen@msn.com	Mr. Mons King Mr. Bill Birdsong	Delaware, Eastern Pennsylvania, Maryland, Virginia, Washington D.C., & Southern New Jersey
Pilgrim Sales - 7 Pilgrim Road - Marblehead, MA 01945 Tel#: (781)639-8004 / Fax#: (781)639-1157 / Cell#: (617)548-2813 E-mail address: deangelo@pilgrimsales.net	Mr. Lennie DeAngelo	CT - ME - MA - NH - RI -VT
Sales Engineers - 12909 Pioneer Trail - Eden Prairie, MN 55347 Tel#: (612)944-0773 / Fax#: (612)944-1073 Website: www.salesengineersinc.com E-mail: jdungan@salesengineersinc.com	Mr. Mike Dungan Mr Jim Dungan Mrs. Connie Robertson Mr. Greg Miller Mr. Steve Agmodt	Minnesota, North Dakota, South Dakota & Western Wisconsin
Shurilla Associates 40 Lahinch Drive - Lemont, IL 60439 Tel#: (630) 248-4675 / Fax#: (630) 410-8844 E-mail: shurilla@comcast.net	Mr. Bill Shurrilla	Eastern IL - IN-Lake County and Porter County
Tri-National Sales - 841 South Parkview Drive - Aurora, OH 44202 Tel#: (330) 562-8920 / Fax#: (330) 562-1586 E-mail address: dhogan6032@aol.com	Mr. Don Hogan	Ohio & PA-Western
Canadian Representative		
Alltemp Products Co. Ltd. - 827 Brock Road South Pickering, Ontario - Canada L1W-3J2 Tel#: (905) 831-3311 / Fax#: (905) 831-1864 E-mail address: sales@rotom.com Website: www.alltemp.ca	Mr. Richard Chalmers	Canadian stocking distributor - All Provinces
Worldwide Representative		
Alex Bauer and Company - 2429 Vauxhall Road - Union, NJ 07083 Tel#: (908) 964-4042 / Fax#: (908) 688-6668 E-mail address: export@cs123.com Website: alexbauer.com	Mr. G. R. Leiz Mrs. Leslie O'Brien	Worldwide

Rep List Revised on 08/17/11

**Part Number(s):**

- 12-7300 (Large rectangular)
- 12-7400 (Large round)
- 12-7500 (Small rectangular)

**Description:** Telescoping inspection mirrors**Packaging:** Poly bagged & tagged**Includes:**

1 - Mirror from above selection with extension handle.

Ideal for inspecting burner flame and inside chamber liners. Features three section telescoping action. 29-31" maximum extension. Swivel joint permits viewing from any angle. Mirror is made of highly polished stainless steel for maximum strength.

Caution: Mirror should not be held directly in path of flame. Safety first!

Part Number: 12-EL26**Description:** Telescoping pocket lighter**Packaging:** Poly bagged & tagged**Includes:**

1 - Telescoping lighter tool. Safety first!
Whether a gas or oil manual ignition test don't get caught without one of these. Light furnaces of all kinds from a safe and comfortable distance. Our lighter extends to 26", for burn free lighting. Our tool also features a pocket clip, and a bright nickel plated finish.

**Part Number:** 12-EM18**Description:** Telescoping pocket magnet**Packaging:** Poly bagged & tagged**Includes:**

1 - Telescoping magnet tool.
This handy device is a life saver in recovering dropped parts in hard to reach areas, with limited space. A necessity for any tool box. Tool features include a pocket clip, 18" extension reach, and a bright nickel plated finish.

**Part Number(s):**

- 12-T180 (Temp. range -40 to 160 degrees Fahrenheit)
- 12-T220 (Temp. range 0 to 220 degrees Fahrenheit)

Description: Pocket dial thermometer**Packaging:** Poly bagged & tagged**Includes:**

1 - Pocket thermometer of choice with casing
Used in a variety of applications: Heating, AC, Refrigeration and Laboratory use to mention a few. This tool features a unbreakable lens, 5" stem, protector sleeve with clip. The pocket clip also holds the thermometer in place.

**Part Number:** 12-T302**Description:** Digital pocket dial thermometer**Packaging:** Shell packaged for display**Includes:**

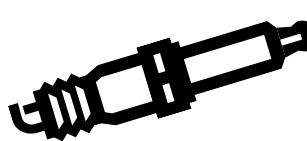
1 - Digital Pocket thermometer & casing
Used in a variety of applications: Heating, AC, Refrigeration, food and Laboratory use to mention a few.
This tool features a flat edge non-roll case, stainless steel 5" stem, large display, on/off switch, instant one second update. It has a temperature range of -40 to 302 degrees Fahrenheit and switchable to -40 to 150 degrees Centigrade. The protector sleeve has a pocket clip that also holds the thermometer in place and the battery is included.

**Part Number:** 12-T3N1**Description:** Mirror, magnet & light kit**Packaging:** Shell packaged for display in case**Includes:**

- 1 - Telescoping mirror,
- 1 - Telescoping magnet & light tool
- 1 - Sturdy case

This sturdy plastic case keeps your kit safe from damage in your tool box. Each kit contains a telescoping round mirror 2" in diameter that extends to 36" and a telescoping 5 lb. magnet with a built in LED light that extends to 26" to guide the way. This tools also features non-slip, textured PVC coated handles, batteries are included, ready to use off the shelf.

**NEW****Section 8 - Tools, Glass, Washers & V-Belts**



Part Number: 40400

Description: Terminal crimping tool

Packaging: Poly bagged & tagged

Includes:

1 - Terminal crimping tool in poly bag.
Our tool is lightweight, and economical.
This multi-purpose tool is made for durability.
Handles are plastic coated for comfort.



- Four Tools In One -

- Bolt cutter - Wire cutter - Crimper - Wire stripper

Part Number: 40401

Description: 8mm & Terminal crimping tool

Packaging: Poly bagged & tagged

Includes:

1 - 8mm & Terminal crimping tool.
Made heavier than our 40400, this tool crimps our 8mm terminal shells very nicely. Be warned...the cutting edges are sharp for effortless wire cutting and stripping. This multi-purpose tool is made for durability. Handles are plastic coated for comfort.



NEW

Part Number: 40402

Description: Heavy duty coupling cutter tool

Packaging: Poly bagged & tagged

Includes:

1 - heavy duty coupling cutter.
Cuts all sizes up to 1 1/4" in diameter.
Cuts polyethylene, PVC, ABS, and rubber hose materials. Will not distort pipe shape when cutting.



NEW

For replacement blades for 40402,

Use **P/N: 40403** (a pack of two).

Part Number: 40405

Description: Heavy duty terminal crimping tool

Packaging: Poly bagged & tagged for display

Includes:

1 - heavy duty, parallel action wire cutting, and terminal crimping tool. 8" overall length for maximum leverage. Handles are plastic coated for comfort.



Part Number:

40417 (for 1 soot kutter)

40417-12 (for 12 soot cutters)

Description: Soot kutter

Packaging: Poly bagged & tagged for display

Includes:

1 - Soot kutter or 1 - 12 pk. of soot cutters
Our Soot Kutter is specially designed for easier clearing of soot build-up in most narrow passage boilers. Effectively breaks up hardened carbon deposits. Handle is plastic coated for comfort.

Soot Kutter!



32" Over-all length

Part Number: 40420

Description: Porcelain & gauge glass cutter

Packaging: Poly bagged & tagged

Includes:

1 - Tool with cutting chain.
Designed for cutting insulators and gauge glass in the field. Simple to use, as a pair of pliers. Plastic coated handles for comfort grip.

Replacement chains are available ask for P/N 40422

Squeeze & Pop!



Part Number: 40424

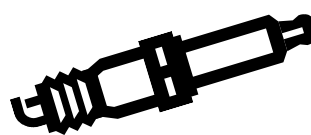
Description: Plier Style - Gauge Glass Cutter

Packaging: Poly-bagged & tagged

Includes:

1 - Gauge glass cutter
The plier style gauge glass cutter offers good leverage on scoring the glass tubing by a conventional means that most mechanics are familiar with.





Part Number: 40425

Description: Squeeze Rod Style - Gauge Glass Cutter

Packaging: Poly-bagged & tagged

Includes:

1 - Gauge glass cutter

Works similar to the plier style gauge glass cutter.

It offers good leverage on scoring the glass tubing by a means squeezing flexible rods together.



Part Number(s):

40428 (Standard blowout gun)

40429 (Gun with 150 psi safety valve)

Description: Blowout gun

Packaging: Poly bagged & tagged

Includes:

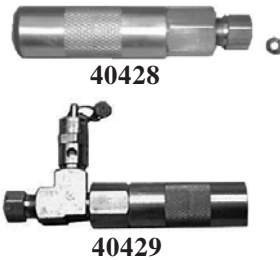
1 - Blowout gun and instruction sheet.

Our blowout gun uses a CO² cartridge (sold separately) and incorporates a 1/4" NPT female connection, that can be adapted to other fittings. It is intended for use in blowing out clogged lines that are vented beyond the restricted point to the atmosphere. It should not be used in a closed end line.

Applications include fuel oil lines, machine lubrication systems, instrument transmission lines, and hydraulic pipelines.

The blowout gun with the built in check valve allows the user the ability to remove used CO² cartridges without pressure line loss. You can then add additional CO² cartridges as needed, up to 150 psi.

Replacement O-rings are available ask for P/N: 40427-10



Part Number: 40430

Description: Electrode tip benders

Packaging: Poly bagged & tagged

Includes:

2 - Tip benders.

Made of steel with a plated finish. Used for bending and adjusting electrode and igniter tips, this lightweight tool is pocket size and easy to use. One end accommodates 1/8" tips and the other 3/32" tip. A must to take on every service call.



Part Number: 40436

Description: Ratchet box wrench

Packaging: Poly bagged & tagged for display

Includes:

1 - Ratchet combo box wrench

Made of steel with a plated finish. Our ratchet wrench accommodates a 1/4" hex and a 5/16" hex.

Pocket size and easy to use.



Part Number(s):

40431 (Control Blast - only)

40431K (Control Blast with 3 - 12g cartridges)

40432K (Control Blast with 3 - 16g cartridges)

Description: Control Blast blow-out gun

Packaging: Poly bagged & tagged

Includes:

1 - Control Blast gun or kits from above list

Crown puts you in control with our new trigger activated blow out gun and our new bigger and better 12 or 16 gram CO² cartridge. Together they supply the "control" and power "blast" you need to get rid of stubborn oil line clogs.



Advantages **Control Blast**



- ▷ Do multiple jobs with one cartridge.
- ▷ Accommodates larger 12g or 16 cartridge.
- ▷ Trigger control gives you control over how much power you need.
- ▷ Red safety lock allows for tool box storage without leaking.
- ▷ Light weight, sturdy and durable plastic casing.
- ▷ 1/4" tapered FNPT oil line adaptor.

Part Number: 40437

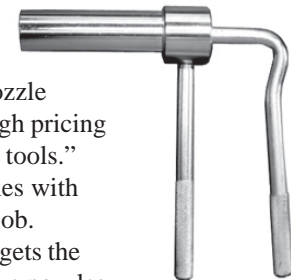
Description: Nozzle Wrench Tool

Packaging: Poly bagged & tagged

Includes:

1 - Nozzle Buddy Wrench

Now you can have your nozzle wrench tool without the high pricing associated with "specialty tools." So stock up those tool boxes with the right tool for the right job. Our "Nozzle Buddy," tool gets the job done! Install and remove nozzles with ease. Works on all nozzle brands and most adaptors.



NOZZLE BUDDY



Electrode Setting Gauges

Crown carries a full line of specialty setting gauges for Beckett, Carlin, and Wayne burners so that you get a perfect spray pattern every time you set an electrode. Why chance an unnecessary call back?. Set it right the first time with our original line of O.E.M. electrode setting gauges. But that's not all! Use Crown's universal electrode setting gauge if a specialty gauge is not available. It's quick and easy to use for setting all spray patterns!

Crown Part Number	For Model Number	O.E.M. Name
40439	NX & AF II, HLX / AF2	Beckett
40441	AF, AFG, SR, SF & AF II with F & FB retention heads	Beckett Z Gauge
40442	SR Series Burner	Wayne
40443	AF, AFG, SR, & SF	Beckett
40444	Blue Angel HS	Wayne
40445	All Models	Various
40447	99-102	Carlin
40448	Elite	Carlin



Part Number(s):

40492-06 (6 pack - 12 gram CO² cartridges)
 40494-06 (6 pack - 16 gram CO² cartridges)

Description: CO² cartridges

Packaging: Poly bagged & tagged

Includes:

1 - Of the above CO² charger combinations above.
 Intended for use in blowing out clogged oil lines with our blow out gun 40431 Control Blast.
 this product can be used in a variety of applications ranging from making seltzer water to use in CO² bb-guns.



Part Number: 49925

Description: Webster Vacuum Breaker

Packaging: Poly-bagged & tagged

Includes:

1 - Vacuum Breaker with instructions.
 This handy device incorporates a Viton "O" ring seat, a 3/8-18 (f)NPT port.
 It can also be used as a supply line check valve.



Part Number: 695

Description: Lineman's strip n' crimp pliers

Packaging: Poly bagged & tagged

Includes:

1 - Lineman's wire stripper and crimper
 This tool gives you all the benefits of a standard lineman's pliers plus wire stripping and terminal crimping features.
 A must have for the tool box!

Strip N' Crimp!



Part Number(s):

40490 (10 - 8gram cartridges per box)
 40490-12 (12 - 10 pk. boxes per case)
 40490-36 (36 - 10 pk. boxes per case)

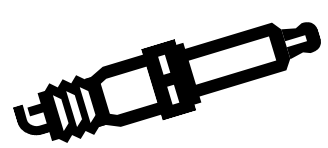
Description: CO² cartridges

Packaging: Boxed

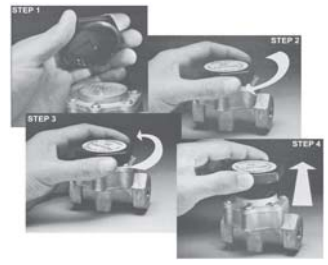
Includes:

1 - Of the above CO² charger combinations above.
 Intended for use in blowing out clogged oil lines with our blow out gun 40428 or 40429, this product can be used in a variety of applications ranging from making seltzer water to use in CO² bb-guns.





Part Number: OSVA TOOL
Description: OSVA Tool
Packaging: Poly-bagged & tagged
Includes:
 1 - OSVA Tool with instructions.
 This handy tool makes fuel pump priming operations look easy. Inexpensive yet effective. Another reason to stock and install Webster OSV valves. Our P/N's: OSVA50 & OSVA38!



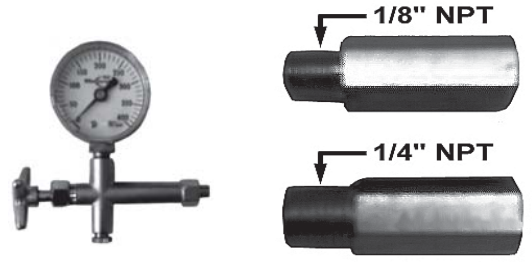
Part Number: SW1
Description: Silicone Tape
Packaging: Poly-bagged & tagged
Includes:
 1 - roll 1" W x 12 Yard x .020 thick Silicone tape.
 This product has thousands of uses. It has 300% elongation stretch capacity. It fuses to itself to form an inseparable bond after 24 hours at room temperature and is water resistant. A great low cost seal in electrical insulation, splicing, and wire wrapping applications. 500° F continuous temperature rating.



Part Number: PTK-9183
Description: Pump test kit
Packaging: Sturdy plastic case
Includes:
 1 - Manifold
 1 - Vacuum gauge
 1 - Pressure gauge
 1 - 1/8" NPT X 1/2" hex adapter
 1 - 1/4" NPT X 1/2" hex adapter
 1 - 6" Clear flexible hose w/fittings
 1 - Instruction sheet
 Our pump test kit preforms a variety of tests. Benefits include the ability to trouble shoot pump failure, valve failure, and vacuum leaks all in one convenient kit.



Test Applications
 - Operating Pressure Test
 - Cut-Off Test
 - Vacuum Test - Lift Application
 - Vacuum Test - Fuel Unit



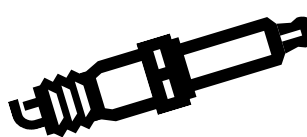
Part Number: WP-1
Description: "W" Gauge glass cutter
Packaging: Poly-bagged & tagged
Includes:
 1 - Gauge glass cutter
 This "W" shaped gauge glass cutter offers good leverage in that the mechanic can really lean into the score with their body weight making for deep cuts and easy tap & snap secondary process.



AQUASTAT IMMERSION WELLS
 Replacement Wells for Honeywell and White Rodgers. Sturdy brass and copper construction for long service life.

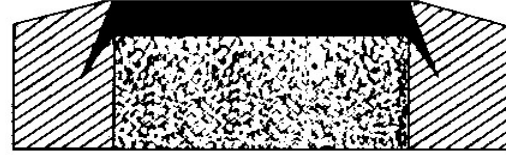
Part Number	Description	Honeywell Part Number
PMW-2S	1/2" Standard / 4 7/8" OAL	121371 A
PMW-2SE	1/2" Extended / 6 3/8" OAL	121371 L
PMW-3S	3/4" Standard / 4 7/8" OAL	121371 B
PMW-3SE	3/4" Extended / 6 3/8" OAL	121371 M





Marvel® Gauge Glass Washers

What makes these washers different from others is it's patinent molded lip design that ensures a sure seal. Made of standard EPDM rubber that can withstand up to 150 psi and 300° F constant pressure and temperature enviornments with outstanding longevity. The Marvel washers are sold in packages of 12 or individually.

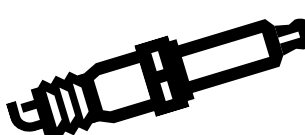


Marvel® Gauge Glass Washers

Part Number	Size of Glass	OUTSIDE DIMENSIONS	
		DIA.	DEPTH
GGW#01-12	1/2"	13/16"	9/32"
GGW#02-12	1/2"	7/8"	1/2"
GGW#03-12	5/8"	7/8"	9/32"
GGW#04-12	5/8"	1"	9/32"
GGW#05-12	5/8"	1-1/8"	3/8"
GGW#06-12	3/4"	1-1/16"	9/32"
GGW#07-12	3/4"	1-1/4"	13/32"
GGW#08-12	3/4"	1-5/16"	13./32"
GGW#09-12	5/8"	15/16"	9/16"
GGW#10-12	3/4"	1-7/16"	13/32"
GGW#11-12	3/4"	1-3/16"	13/32"
GGW#12-12	9/16"	27/32"	19/32"
GGW#13-12	5/8"	15/16"	9/32"
GGW#14-12	3/4"	1-1/8"	3/8"
GGW#15-12	3/4"	1-1/16"	1/2"
GGW#16-12	3/4"	1-5/16"	5/8"
GGW#17-12	3/4"	1-1/8"	5/8"
GGW#18-12	9/16"	1-3/32"	1/2"
GGW#19-12	9/16"	13/16"	9/32"
GGW#20-12	11/16"	1"	9/32"
GGW#21-12	1/2"	7/8"	3/8"
GGW#22-12	3/4"	1-1/4"	1/4"
GGW#23-12	3/4"	1-1/4"	3/4"
GGW#24-12	3/4"	1-3/32"	13/32"
GGW#25-12	5/8"	1"	15/32"
GGW#26-12	1"	1-5/8"	1/2"
GGW#27-12	7/8"	1-3/8"	13/32"
GGW#28-12	1/2"	1"	3/8"
GGW#29-12	1/2"	1"	5/16"

Marvel® Gauge Glass Washers

Part Number	Size of Glass	OUTSIDE DIMENSIONS	
		DIA.	DEPTH
GGW#30-12	3/8"	13/16"	1/4"
GGW#31-12	3/4"	1"	3/8"
GGW#32-12	3/4"	1-3/8"	1/4"
GGW#33-12	3/4"	1-1/8"	1/2"
GGW#34-12	1/2"	1-7/16"	3/8"
GGW#35-12	5/8"	1-15/16"	13/32"
GGW#36-12	1-1/4"	1-7/8"	1-15/16"
GGW#37-12	5/8"	1-1/4"	1/2"
GGW#38-12	1"	1-1/2"	1"
GGW#39-12	3/4"	1-1/8"	7/16"
GGW#40-12	31/32"	1-3/4"	3/8"
GGW#41-12	3/4"	1-3/8"	3/8"
GGW#42-12	11/16"	1-3/16"	7/16"
GGW#43-12	3/4"	1"	3/4"
GGW#44-12	11/16"	1-3/8"	3/8"
GGW#45-12	3/4"	1-15/16"	3/8"
GGW#46-12	3/4"	1-5/8"	1/2"
GGW#47-12	3/4"	1-1/16"	3/4"
GGW#48-12	31/32"	1-3/4"	7/16"
GGW#49-12	1-7/8"	2-1/4"	3/4"
GGW#50-12	21/32"	1-1/4"	1/4"
GGW#51-12	11/16"	1-1/8"	3/8"
GGW#52-12	5/8"	7/8"	3/8"
GGW#53-12	3/4"	1-1/4"	1/2"
GGW#54-12	3/4"	1-1/8"	7/8"
GGW#55-12	7/8"	1-31/64"	7/8"
GGW#56-12	11/16"	1-7/16"	13/32"
GGW#57-12	3/4"	15/16"	3/8"



Standard Gauge Glass			MAXIMUM RECOMMENDED WORKING PRESSURE, psi	
OUTER DIAMETER	PART NUMBER	OVER-ALL LENGTH	TEMP UP TO 150° F	STEAM BOILER UP TO 425° F
5/8"	58GG08	8"	205	100 psi
5/8"	58GG10	10"	205	100 psi
5/8"	58GG12	12"	205	100 psi
5/8"	58GG14	14"	190	100 psi
5/8"	58GG16	16"	190	100 psi
5/8"	58GG18	18"	190	100 psi
5/8"	58GG20	20"	185	100 psi
5/8"	58GG24	24"	180	100 psi
5/8"	58GG30	30"	175	**
5/8"	58GG36	36"	165	**
5/8"	58GG48	48"	140	**
5/8"	58GG60	60"	120	**
3/4"	34GG08	08"	205	100 psi
3/4"	34GG10	10"	205	100 psi
3/4"	34GG12	12"	205	100 psi
3/4"	34GG14	14"	200	100 psi
3/4"	34GG16	16"	195	100 psi
3/4"	34GG18	18"	190	100 psi
3/4"	34GG24	24"	180	**
3/4"	34GG36	36"	165	**
3/4"	34GG48	48"	140	**



5/8" DIA. STANDARD SODA LIME GAUGE GLASS

8" to 12" sold in 12 packs.
14" to 36" sold in 6 packs.
48" & 60" sold individually.

This glass is widely used in low pressure steam boiler applications. Easily cut to size. Use Crown's Squeeze & Pop cutter #40420. Sizes are standard.

3/4" DIA. STANDARD GAUGE GLASS

Sold individually.

** MAXIMUM RECOMMENDED LENGTH IN THIS SERVICE IS 24"

High Pressure Gauge			MAXIMUM RECOMMENDED WORKING PRESSURE, psi	
OUTER DIAMETER	PAR NUMBER	OVER-ALL LENGTH	TEMP UP TO 150° F	STEAM BOILER UP TO 425° F
5/8"	58HP08	8"	435	320 psi
5/8"	58HP10	10"	420	315 psi
5/8"	58HP12	12"	410	305 psi
5/8"	58HP14	14"	390	295 psi
5/8"	58HP16	16"	375	285 psi
5/8"	58HP18	18"	360	280 psi
5/8"	58HP24	24"	320	255 psi
5/8"	58HP36	36"	245	**
5/8"	58HP48	48"	165	**
5/8"	58HP60	60"	150	**



5/8" DIA. HIGH PRESSURE BOROSILICATE® GLASS 3.3

Sold individually.

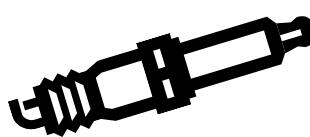
These are made from Schott's heat resistant Borosilicate® brand tubing. They are the most versatile and popular type used in our industry.

** MAXIMUM RECOMMENDED LENGTH IN THIS SERVICE IS 24"



Your Single Source!

P.O. Box 846 - Farmingdale, NJ 07727



Customer Service

Tel: (800) 631-2153
 Fax: (888) 645-7278
 www.crownengineering.com

**NEW!
HEAVY WALL**



Red Line Gauge Glass			MAXIMUM RECOMMENDED WORKING PRESSURE, psi	
OUTER DIAMETER	PART NUMBER	OVER-ALL LENGTH	TEMP UP TO 150° F	STEAM BOILER UP TO 425° F
1/2"	12RL10	10"	370	295 psi
1/2"	12RL12	12"	360	295 psi
1/2"	12RL14	14"	345	290 psi
1/2"	12RL16	16"	335	285 psi
1/2"	12RL24	24"	280	270 psi
1/2"	12RL36	36"	215	**
1/2"	12RL48	48"	175	**
5/8"	58RL08	8"	370	285 psi
5/8"	58RL10	10"	345	280 psi
5/8"	58RL12	12"	335	280 psi
5/8"	58RL14	14"	325	275 psi
5/8"	58RL16	16"	315	270 psi
5/8"	58RL18	18"	305	265 psi
5/8"	58RL24	24"	265	255 psi
5/8"	58RL28	28"	235	**
5/8"	58RL36	36"	205	**
5/8"	58RL48	48"	165	**
5/8"	58RL60	60"	**	**
5/8"	58RL72	72"	**	**
3/4"	34RL12	12"	330	275 psi
3/4"	34RL14	14"	320	270 psi
3/4"	34RL16	16"	310	265 psi
3/4"	34RL18	18"	300	260 psi
3/4"	34RL20	20"	285	260 psi
3/4"	34RL24	24"	260	250 psi
3/4"	34RL36	36"	200	**
3/4"	34RL48	48"	160	**

DURAN® BRAND REDLINE GAUGE GLASS

It's very easy to spot liquid levels from a distance when you use our DURAN® brand redline tubular gauge glass. The red stripe on a white background gives a special optical effect which makes the liquid level stand out clearly. This feature allows for easy viewing of liquid levels from across the room.

1/2" Diameter

Sold individually.

5/8" Diameter

Sold per dozen (12 per case)
 36" to 72" sold individually.

Stocked Odd Sizes

We stock the following odd sizes in 5/8" Dia. lengths: 8 1/2", 9 1/4", 9 1/2", 9 3/4", 10 1/4", 10 1/2", 10 3/4", 11 1/4", 11 1/2", 11 3/4" & 20".

Other lengths are available.

Minimum quantities required on all special orders.

3/4" Diameter

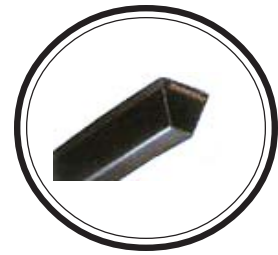
Sold individually.

** MAXIMUM RECOMMENDED LENGTH IN THIS SERVICE IS 24". WE HAVE RECENTLY ADDED 5/8 & 3/4 DIA. HEAVY WALL REDLINE USE RLHW DESIGNATION IN BETWEEN DIA & LENGTH

Section 8 - Tools, Glass, Washers & V-Belts



**Don't gamble on another brand...
 We have the winning hand!**



Our Industrial V-Belts are designed for a wide variety of applications including heating and AC. All of our belts meet or exceed RMA standards and under-go ISO-9001 test standards. Our belts are constructed from tough, long-lasting synthetic rubber, reinforced with low elongation polyester cords. Specially designed synthetic rubber compounds give heat and oil resistance, which ensures that the belt will perform day after day in a wide range of ambient temperatures.

We typically stock a wide range of dual A / 4L series belts. All other series are considered non-stock and usually ship between 7 - 10 working days upon receipt of order.

Our Replacement Warranty

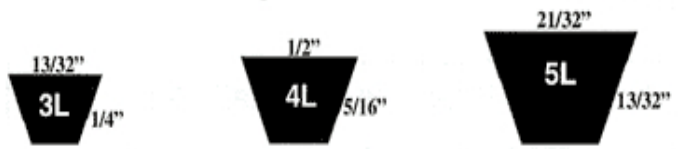
Our belts are warranted to be free from defects in materials and workmanship. This warranty is limited to replacing any belt, which is proven to be defective within 180 days from date of purchase under the following provisions:

- The belt was used in its designed application.
- The product is delivered to Crown with transportation charges prepaid (Call for RGA #)
- Analysis verifies that the product was properly handled, mounted, lubricated & not subject to abuse.

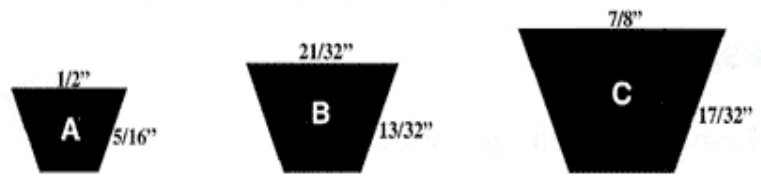
How To Order

- 1) Select desired belt: Fractional or Hi-Power.
- 2) Select top width and thickness desired.
Note: All of these belts are pitched at a 40 degree angle.
- 3) Select desired INSIDE length for A & B series or if ordering 3L, 4L or 5L, then select desired OUTSIDE length.
- 4) To order an A or B series belt that has an INSIDE length of 35", the part number would be A35 or B35.
- 5) To order a 3L, 4L, or 5L belt that has an OUTSIDE length of 35", the part number would be 3L350, 4L350 or 5L350.

Fractional Horsepower V-Belt Dimensions



Classical V-Belt Dimensions





Wayne's line of high performance stainless steel and cast iron air cones makes for higher efficiency, lower emissions, lower nozzle temperatures and improved flame control to prevent smoke and soot build-up, which is an important feature, since soot can block efficient heat transfer and reduce efficiency.

Air Cones for Wayne Burners

Part Number	Burner Model Number	Firing Rate G.P.H.	Material Type
12329	M & E	2.25 - 3.00	Cast Iron
12442	OE & M	.75 - 1.50	Cast Iron
12988	MH & EH Flamelock	.50 - 6.00	Stainless Steel & Brass
12989	EH & MH	1.75 - 2.00	Cast Iron
12990	MH & EH	4.00 - 4.50	Cast Iron
13002	MH & EHA	1.00 - 1.50	Cast Iron
13003	MH, EH, & EHA	5.00 - 6.00	Cast Iron
13127	FH & FHA	7.00 - 11.00	Cast Iron
13128	FH	11.00 - 13.00	Cast Iron
13470	MOC80 & MOC100	.60 - .75	Cast Iron
13702	EH & EHA	3.00 - 5.00	Cast Iron
14157	#1ASR for MSR & EHASR	.75 - 1.00	Stainless Steel
14158	#2ASR for MSR & EHASR	1.00 - 1.50	Stainless Steel
14159	#3ASR for MSR & EHASR	1.60 - 2.00	Stainless Steel
14160	#4ASR for MSR & EHASR	2.00 - 2.25	Stainless Steel
14203	FH & FHA	4.00 - 7.00	Cast Iron
14302	#5ASR for MSR	.50 - 1.25	Stainless Steel
14365	#6ASR for MSR & EHASR	.75 - 2.00	Stainless Steel
14396	#8ASR for MSR & EHASR	1.75 - 3.00	Stainless Steel
100060	#SC for MSHR & MSR	.50 - .75	Stainless Steel
100328	#SD for HSRH-1	.75	Stainless Steel
100333	#SE for HSRH-1	.60	Stainless Steel
100389	HS	1.00 - 2.25	Cast Iron
100420	HS	.50 - 2.50	Cast Iron
100333-002	#SE2 for EG1 & MEG1	.60	Stainless Steel
100393-SER	HS for Flamelock 10 vane	3.00	Stainless Steel
100485-001	HS for Flamelock	.50 - .85	Stainless Steel
100531-001	HS	2.50 - 3.00	Cast Iron
14157-001	#1SR for HSR & EG1	.75 - 1.00	Stainless Steel
14160-004	#4SR for HSR & EG1	2.50 - 3.00	Stainless Steel
62393-001	HSG200	60-200 MBTU	Cast Iron

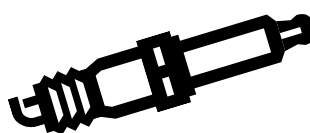
SEE PHOTOS ON NEXT PAGE

Section 9 - Other Burner Parts



Your Single Source!

P.O. Box 846 - Farmingdale, NJ 07727



Customer Service

Tel: (800) 631-2153

Fax: (888) 645-7278

www.crownengineering.com

 Back View Back View P/N: 12329	 Back View Back View P/N: 12442	 Back View Back View P/N: 12988	 Back View Back View P/N: 12989	 Back View Back View P/N: 12990	 Back View P/N: 13002
 Back View P/N: 13003	 Back View P/N: 13127	 Back View P/N: 13128	 Back View Back View P/N: 13470	 Back View Back View P/N: 13702	 Back View P/N: 14157
 Back View P/N: 14158	<p>NO PHOTO</p> P/N: 14159	 Back View P/N: 14160	 Back View Back View P/N: 14203	<p>NO PHOTO</p> P/N: 14302	 Back View P/N: 14365
 Back View P/N: 14396	<p>NO PHOTO</p> P/N: 100060	 Back View P/N: 100328	 Back View P/N: 100333	 Side View Side View P/N: 100389	 Side View P/N: 100420
 Back View P/N: 100333-002	<p>NO PHOTO</p> P/N: 100393-SER	<p>NO PHOTO</p> P/N: 100485-SER	 Back View Back View P/N: 100531-001	 Back View P/N: 14157-001	<p>NO PHOTO</p> P/N: 14160-004
<p>NO PHOTO</p> P/N: 62393-001					










A & J,H,S oil pump strainers and gaskets - GTO cable 7mm Industrial igniters - Gaskets - Electrodes & tune up kits - and leads - Champion spark plugs - Pump couplers B & G - gaskets - Gauge glass valves with rods - High temperature ceramic fiber rope - Industrial igniters & flame rods - Ignition terminal and transformer kits - Miller plate & flange gaskets - Pump test kit - O.E.M. electrodes and igniters - Oil burner nozzles & adapters - Spin-On oil filters - Pioneer burner couplers - and much more!

- Oil De-aerator - Auburn® Products - Red Silicone cable 7mm Blowout gun and CO² chargers - Buss bars - Cad cell eyes Ignition terminals & kits - Setting gauges - Gaskets and cover gaskets - Miller plate & flange gaskets - Pump test kit - O.E.M. electrodes and igniters - Oil burner nozzles & adapters - Spin-On oil filters - Pioneer burner couplers - and much more!



Air Cones for Beckett Burners

Part Number	Burner Model Number	Firing Rate G.P.H.	Material Type
F0	AF & SR	.40 - .75	Stainless Steel
F0H	AF & SR with Heat Shield	.40 - .75	Stainless Steel
F12	AF, SR, & SF	1.10 - 2.25	Stainless Steel
F16	Special Application	Various	Stainless Steel
F22	AF, SR, & SF	1.25 - 3.25	Stainless Steel
F220	SF	1.75 - 3.25	Stainless Steel
F3	AF & SR	.75 - 1.25	Stainless Steel
F31	AF	2.50 - 3.00	Stainless Steel
F310	SF	2.50 - 5.50	Stainless Steel
F310	SF	2.50 - 5.50	Stainless Steel
F3H	AF & SR with Heat Shield	.75 - 1.25	Stainless Steel
F4	AF & AFG	1.75 - 1.35	Stainless Steel
F6	AF & SR	.85 - 1.65	Stainless Steel
FB0	AF II 85 & 150	.40 - 1.00	Stainless Steel
FB3	AF II 85 & 150	.55 - 1.20	Stainless Steel
FB4	AF II 150	1.10 - 1.25	Stainless Steel
FB5	AF II 150	1.15 - 1.35	Stainless Steel

 F0 0.40-0.75 gph P/N: F0	NO PHOTO P/N: F0H	 F12 1.10-2.00 gph P/N: F12	NO PHOTO P/N: F16	 F22 1.65-2.50 gph P/N: F22	NO PHOTO P/N: F220
 F3 0.75-1.25 gph P/N: F3	 F31 2.50-3.00 gph P/N: F31	NO PHOTO P/N: F310	NO PHOTO P/N: F3H	NO PHOTO P/N: F4	NO PHOTO P/N: F6
 P/N: FB0	 P/N: FB3	 P/N: FB4	 P/N: FB5	NO PHOTO	NO PHOTO

U.S. Postage
PAID
Farmingdale, NJ
Permit No. 72



ENGINEERING CORPORATION

PO BOX 846 - FARMINGDALE, NJ 07727

TEL: 800-631-2153 FAX: 888-645-7278

www.crownengineering.com