



www.Source1Parts.com

# DCYZ SERIES - 13 SEER SINGLE PACKAGED GAS/ELECTRIC AIR CONDITIONER (R-410A, STYLE C)

**HVAC SERVICE PARTS**

Supersedes:035-23930-001 Rev. B (0313)

035-23930-001 Rev. C (0613)

1 of 16

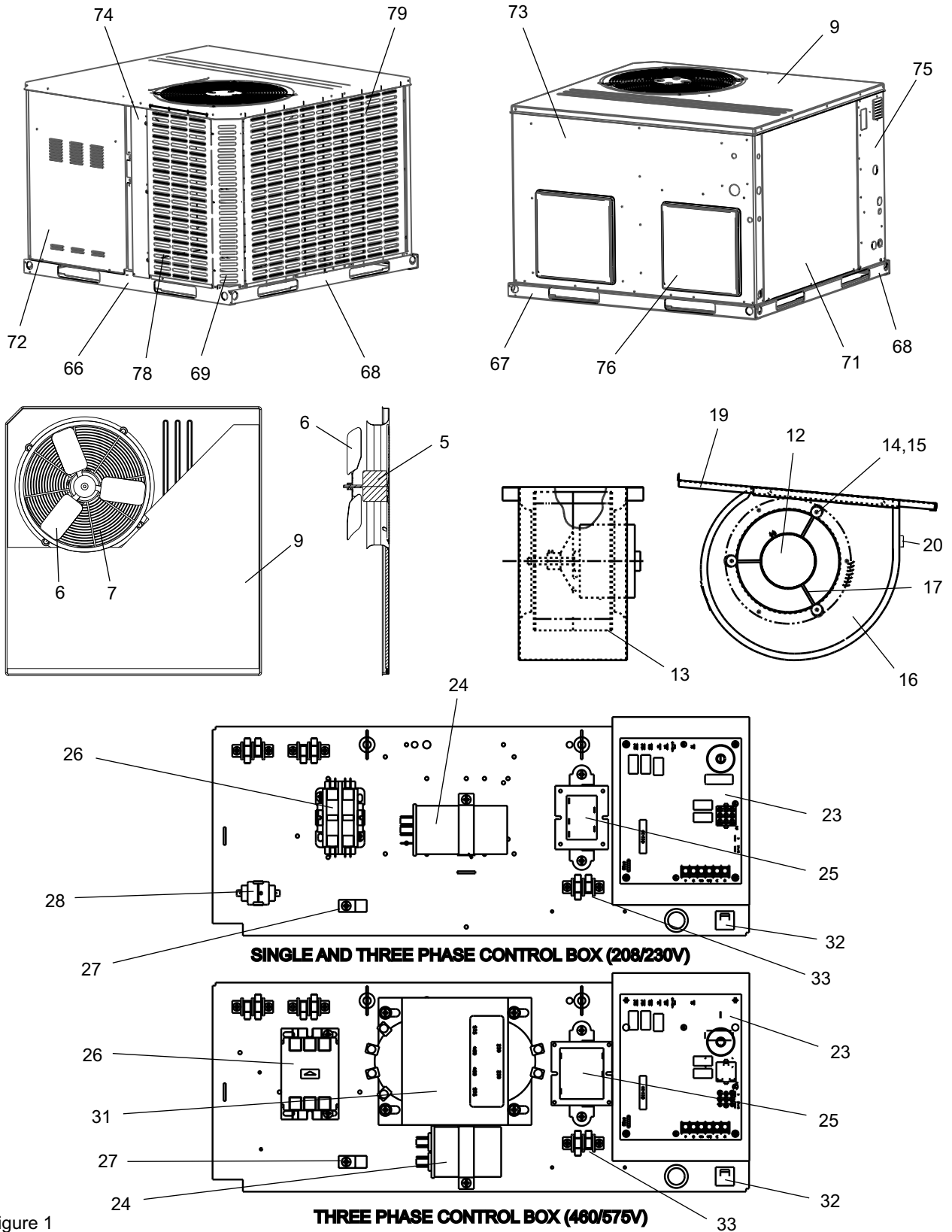


Figure 1

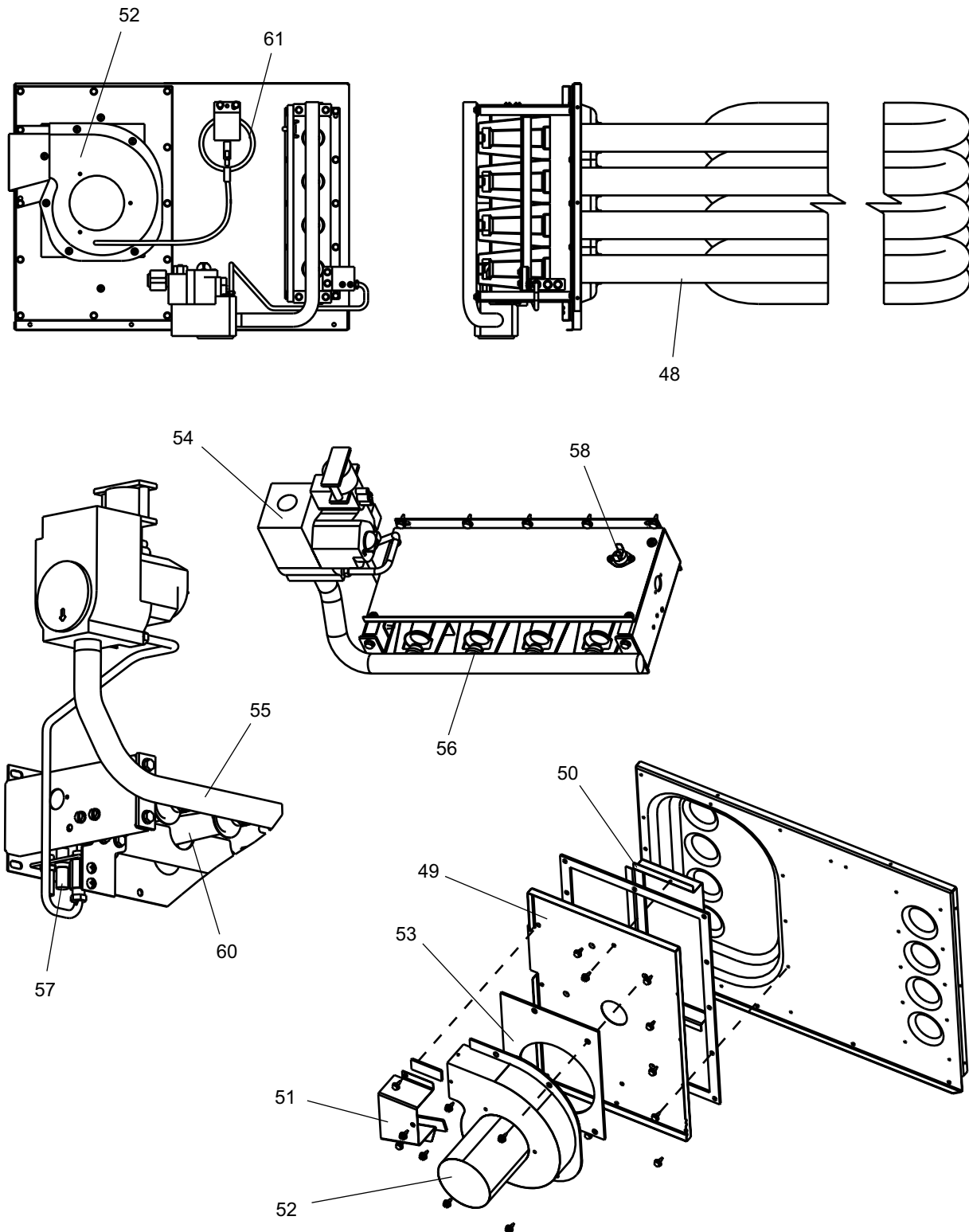


Figure 2

ITEM	FIG	DESCRIPTION	DCYZ-F024D070C	DCYZ-F024N045C	DCYZ-F024N070C	DCYZ-F030D070C
<b>Compressors</b>						
1	3	Compressor	S1-01504076004	S1-01504076004	S1-01504076004	S1-01504125001
2	3	Cushion Mount	S1-02810505000	S1-02810505000	S1-02810505000	S1-02810505000
3	3	Bolt, Compressor	S1-02116047000	S1-02116047000	S1-02116047000	S1-02116047000
<b>Condensor Fan Motor &amp; Air Moving Components</b>						
5	1	Motor, Fan	S1-02435612000	S1-02435612000	S1-02435612000	S1-02425119701
6	1	Blade, Fan	S1-02642455000	S1-02642455000	S1-02642455000	S1-02639408000
7	1	Guard, Fan	S1-02646742000	S1-02646742000	S1-02646742000	S1-02646742000
8	*	Wireway(26")	S1-02810070000	S1-02810070000	S1-02810070000	S1-02810070000
9	1	Roof, Condenser	S1-37328308000	S1-37328308000	S1-37328308000	S1-37328308000
10	*	Kit, Acorn Nut	S1-36390117700	S1-36390117700	S1-36390117700	S1-36390117700
<b>Indoor Blower Motor &amp; Air Moving Components</b>						
12	1	Motor, Blower, Programmed	S1-02435688009	S1-02435688009	S1-02435688009	S1-02435705009
		Motor, Blower, Unprogrammed	S1-02435679000	S1-02435679000	S1-02435679000	S1-02435705000
13	1	Wheel, Blower	S1-02632088702	S1-02632088702	S1-02632088702	S1-02632088702
14	1	Grommet, Motor Mount (3 Req'd)	S1-02814740000	S1-02814740000	S1-02814740000	S1-02814740000
15	1	Ferrule, Motor Mount (3 Req'd)	S1-02320541000	S1-02320541000	S1-02320541000	S1-02320541000
16	1	Housing, Blower	S1-37314999001	S1-37314999001	S1-37314999001	S1-37314999001
17	1	Assembly, Motor Mount	S1-07328479000	S1-07328479000	S1-07328479000	S1-07328479000
18	*	Cutoff, Blower	S1-07315272000	S1-07315272000	S1-07315272000	S1-07315272000
19	1	Plate, Blower	S1-07314983001	S1-07314983001	S1-07314983001	S1-07314983001
20	1	Switch,Aux Limit, Manual Reset	S1-02531834000	S1-02531834000	S1-02531834000	S1-02531834000
<b>Electric Box</b>						
22						
23	1	Board, Control	S1-03109174000	S1-03109175000	S1-03109175000	S1-03109174000
24	1	Capacitor, Dual Run	S1-02423998700	S1-02423998700	S1-02423998700	S1-02425893700
25	1	Transformer	S1-02518452700	S1-02518452700	S1-02518452700	S1-02518452700
26	1	Contact	S1-02432004000	S1-02432004000	S1-02432004000	S1-02432004000
27	1	Lug, Electrical	S1-02521798000	S1-02521798000	S1-02521798000	S1-02521798000
28	1	Assist, Motor Start	S1-02425084000	S1-02425084000	S1-02425084000	S1-02425084000
29	*	Harness, Wire, Control	S1-02541213000	S1-02541216000	S1-02541216000	S1-02541213000
30	*	Diagram, Wiring	851727	848766	848766	851727
<b>Evaporator Coil, Condensor Coil, and Piping Components</b>						
36	3	Coil, Evaporator	S1-37329041000	S1-37329041000	S1-37329041000	S1-37329040000
37	3	Valve, Distributor w/Orifice (Evap)	S1-02206844118	S1-02206844118	S1-02206844118	S1-02206844163
38	3	Coil, Condenser	S1-37328295000	S1-37328295000	S1-37328295000	S1-37328295000
39	3	Switch, High Pressure	S1-02538728000	S1-02538728000	S1-02538728000	S1-02538728000
40	3	Switch, Low Pressure	S1-02539909000	S1-02539909000	S1-02539909000	S1-02539909000
41	3	Filter Drier	S1-52634088000	S1-52634088000	S1-52634088000	S1-52634088000
42	3	Connector Tee, Pres Sw. (2 Req'd)	S1-02322437000	S1-02322437000	S1-02322437000	S1-02322437000
43	*	Valve, Schraeder (4 Req'd)	S1-02202475700	S1-02202475700	S1-02202475700	S1-02202475700
44	*	Cap, Seal (2 Req'd)	S1-02310745000	S1-02310745000	S1-02310745000	S1-02310745000
<b>Heating Section, Vent, Blower, and Gas Control Components</b>						
48	2	Heat Exchanger Assy	S1-37314997703	S1-37314997702	S1-37314997703	S1-37314997703
49	2	Plate, Restrictor	S1-07319347003	S1-07319347002	S1-07319347003	S1-07319347003
50	2	Baffle, Restrictor	S1-07314993001	S1-07314993001	S1-07314993001	S1-07314993001
51	2	Flue, Exhaust	S1-07319344000	S1-07319344000	S1-07319344000	S1-07319344000
52	2	Blower, Vent	S1-02646427000	S1-02633999001	S1-02633999001	S1-02646427000
53	2	Gasket, Vent Blower	S1-02812467000	S1-02812467000	S1-02812467000	S1-02812467000
54	2	Valve, Gas	S1-02541218000	S1-VR8204M1026	S1-VR8204M1026	S1-02541218000
55	2	Manifold, Gas	S1-02921179000	S1-02921179000	S1-02921179000	S1-02921179000
56	2	Orifice, Gas (#43)	S1-02920423043	S1-02920423043	S1-02920423043	S1-02920423043
57	2	Ignitor, Spark, Pilot	S1-02541219000	S1-02541219000	S1-02541219000	S1-02541219000
58	2	Switch, Control Rollout	S1-02531812000	S1-02530862000	S1-02531812000	S1-02531812000
59	*	Switch, Limit, Auto Reset	S1-02531814000	S1-02531835000	S1-02531813000	S1-02531814000
60	2	Burner, Gas	S1-02921180000	S1-02921180000	S1-02921180000	S1-02921180000
61	2	Switch, Air Pressure	S1-02435707000	S1-02425975000	S1-02425975000	S1-02435707000
62	*	Gasket, High Temp	S1-02811648000	S1-02811648000	S1-02811648000	S1-02811648000

**NOTE:** \*Not Shown  
 New replacement parts shown in **bold** face type at the first printing of parts list dated 6/13.  
 Major components and suggested stocking items are shown with shaded item number.  
 "<" Across from row indicates a change in that row.  
 --- Not applicable to specified model.



ITEM	FIG	DESCRIPTION	DCYZ-F024D070C	DCYZ-F024N045C	DCYZ-F024N070C	DCYZ-F030D070C
<b>Sheet Metal Components</b>						
66	1	Base Rail, Front	S1-07319413000	S1-07319413000	S1-07319413000	S1-07319413000
67	1	Base Rail, Back	S1-07319414000	S1-07319414000	S1-07319414000	S1-07319414000
68	1	Base Rail, Side (2 Req'd)	S1-07319415000	S1-07319415000	S1-07319415000	S1-07319415000
69	1	Post, Corner Assy	S1-07328013001	S1-07328013001	S1-07328013001	S1-07328013001
71	1	Panel, Access, Blower	S1-37314979001	S1-37314979001	S1-37314979001	S1-37314979001
72	1	Panel, Access, Heater	S1-07314981001	S1-07314981001	S1-07314981001	S1-07314981001
73	1	Panel, Duct	S1-37319412004	S1-37319412004	S1-37319412004	S1-37319412004
74	1	Post, Corner Assy, Front	S1-07328307000	S1-07328307000	S1-07328307000	S1-07328307000
75	1	Post, Corner Assy, Left Front	S1-07320120000	S1-07320120000	S1-07320120000	S1-07320120000
76	1	Duct Cover (2 Req'd)	S1-37314853000	S1-37314853000	S1-37314853000	S1-37314853000
77	*	Screen, Flue	S1-02634000000	S1-02634000000	S1-02634000000	S1-02634000000
78	1	Coil Guard, (Front)	S1-02645704000	S1-02645704000	S1-02645704000	S1-02645704000
79	1	Coil Guard, (Side)	S1-02634531000	S1-02634531000	S1-02634531000	S1-02634531000
80	*	Hood, Flue, Exhaust Outlet	S1-07314988000	S1-07314988000	S1-07314988000	S1-07314988000
81	*	Deflector, Air, Front	S1-07314975000	S1-07314975000	S1-07314975000	S1-07314975000
<b>Drain Pan &amp; Accessories</b>						
87	*	Pan, Drain	S1-03200177001	S1-03200177001	S1-03200177001	S1-03200177001
88	*	Plug, Drain Pan	S1-02812480000	S1-02812480000	S1-02812480000	S1-02812480000
89	*	Drain Fitting	S1-7430-3011	S1-7430-3011	S1-7430-3011	S1-7430-3011
90	*	Tubing, Drain	S1-02815480000	S1-02815480000	S1-02815480000	S1-02815480000

**NOTE:** \*Not Shown  
 New replacement parts shown in **bold** face type at the first printing of parts list dated 6/13.  
 Major components and suggested stocking items are shown with shaded item number.  
 "<" Across from row indicates a change in that row.  
 --- Not applicable to specified model.

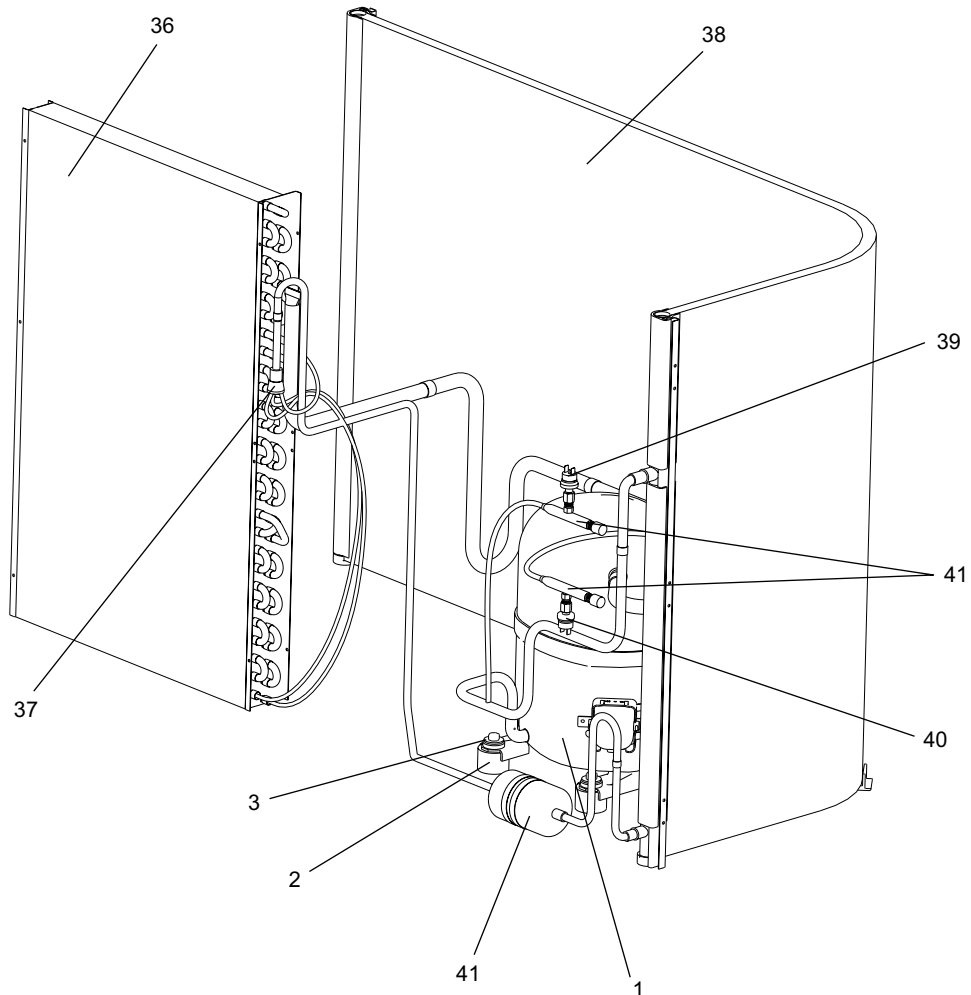


Figure 3

ITEM	FIG	DESCRIPTION	DCYZ-F030N045C	DCYZ-T030N045C	DCYZ-W030N045C	DCYZ-F030N070C
<b>Compressors</b>						
1	3	Compressor	S1-01504126001	S1-01504275004	S1-01504276004	S1-01504125001
2	3	Cushion Mount	S1-02810505000	S1-02810505000	S1-02810505000	S1-02810505000
3	3	Bolt, Compressor	S1-02116047000	S1-02116047000	S1-02116047000	S1-02116047000
<b>Condensor Fan Motor &amp; Air Moving Components</b>						
5	1	Motor, Fan	S1-02425119701	S1-02425119701	S1-02425121700	S1-02425119701
6	1	Blade, Fan	S1-02639408000	S1-02639408000	S1-02639408000	S1-02639408000
7	1	Guard, Fan	S1-02646742000	S1-02646742000	S1-02646742000	S1-02646742000
8	*	Wireway(26")	S1-02810070000	S1-02810070000	S1-02810070000	S1-02810070000
9	1	Roof, Condenser	S1-37328308000	S1-37328308000	S1-37328308000	S1-37328308000
10	*	Kit, Acorn Nut	S1-36390117700	S1-36390117700	S1-36390117700	S1-36390117700
<b>Indoor Blower Motor &amp; Air Moving Components</b>						
12	1	Motor, Blower, Programmed	S1-02435705009	S1-02435705009	S1-02435705009	S1-02435705009
		Motor, Blower, Unprogrammed	S1-02435705000	S1-02435705000	S1-02435705000	S1-02435705000
13	1	Wheel, Blower	S1-02632088702	S1-02632088702	S1-02632088702	S1-02632088702
14	1	Grommet, Motor Mount (3 Req'd)	S1-02814740000	S1-02814740000	S1-02814740000	S1-02814740000
15	1	Ferrule, Motor Mount (3 Req'd)	S1-02320541000	S1-02320541000	S1-02320541000	S1-02320541000
16	1	Housing, Blower	S1-37314999001	S1-37314999001	S1-37314999001	S1-37314999001
17	1	Assembly, Motor Mount	S1-07328479000	S1-07328479000	S1-07328479000	S1-07328479000
18	*	Cutoff, Blower	S1-07315272000	S1-07315272000	S1-07315272000	S1-07315272000
19	1	Plate, Blower	S1-07314983001	S1-07314983001	S1-07314983001	S1-07314983001
20	1	Switch,Aux Limit, Manual Reset	S1-02531834000	S1-02531834000	S1-02531834000	S1-02531834000
<b>Electric Box</b>						
22						
23	1	Board, Control	S1-03109175000	S1-03109175000	S1-03109175000	S1-03109175000
24	1	Capacitor, Dual Run	S1-02425893700	---	---	S1-02425895700
		Capacitor, Single Run	---	S1-02420043700	S1-02420043700	---
25	1	Transformer	S1-02518452700	S1-02525973700	S1-02525974700	S1-02518452700
26	1	Contacto	S1-02432004000	S1-02435803000	S1-02435803000	S1-02432004000
27	1	Lug, Electrical	S1-02521798000	S1-02521798000	S1-02521798000	S1-02521798000
28	1	Assist, Motor Start	S1-02425084000	---	---	S1-02425084000
29	*	Harness, Wire, Control	S1-02541216000	S1-02541216000	S1-02541216000	S1-02541216000
30	*	Diagram, Wiring	848766	851400	848982	848766
31	1	Transformer	---	---	S1-02539924000	---
32	1	Breaker, Circuit	---	S1-02434532000	S1-02434532000	---
33	1	Block, Terminal	---	---	S1-02523083000	---
<b>Evaporator Coil, Condensor Coil, and Piping Components</b>						
36	3	Coil, Evaporator	S1-37329040000	S1-37329040000	S1-37329040000	S1-37329040000
37	3	Valve, Distributor w/Orifice (Evap)	S1-02206844163	S1-02206844163	S1-02206844163	S1-02206844163
38	3	Coil, Condenser	S1-37328295000	S1-37328295000	S1-37328295000	S1-37328295000
39	3	Switch, High Pressure	S1-02538728000	S1-02538728000	S1-02538728000	S1-02538728000
40	3	Switch, Low Pressure	S1-02539909000	S1-02539909000	S1-02539909000	S1-02539909000
41	3	Filter Drier	S1-52634088000	S1-52634088000	S1-52634088000	S1-52634088000
42	3	Connector Tee, Pres Sw. (2 Req'd)	S1-02322437000	S1-02322437000	S1-02322437000	S1-02322437000
43	*	Valve, Schraeder (4 Req'd)	S1-02202475700	S1-02202475700	S1-02202475700	S1-02202475700
44	*	Cap, Seal (2 Req'd)	S1-02310745000	S1-02310745000	S1-02310745000	S1-02310745000
<b>Heating Section, Vent, Blower, and Gas Control Components</b>						
48	2	Heat Exchanger Assy	S1-37314997702	S1-37314997702	S1-37314997702	S1-37314997703
49	2	Plate, Restrictor	S1-07319347002	S1-07319347002	S1-07319347002	S1-07319347003
50	2	Baffle, Restrictor	S1-07314993001	S1-07314993001	S1-07314993001	S1-07314993001
51	2	Flue, Exhaust	S1-07319344000	S1-07319344000	S1-07319344000	S1-07319344000
52	2	Blower, Vent	S1-02633999001	S1-02633999001	S1-02633999001	S1-02633999001
53	2	Gasket, Vent Blower	S1-02812467000	S1-02812467000	S1-02812467000	S1-02812467000
54	2	Valve, Gas	S1-VR8204M1026	S1-VR8204M1026	S1-VR8204M1026	S1-VR8204M1026
55	2	Manifold, Gas	S1-02921179000	S1-02921179000	S1-02921179000	S1-02921179000
56	2	Orifice, Gas (#43)	S1-02920423043	S1-02920423043	S1-02920423043	S1-02920423043
57	2	Ignitor, Spark, Pilot	S1-02541219000	S1-02541219000	S1-02541219000	S1-02541219000
58	2	Switch, Control Rollout	S1-02530862000	S1-02530862000	S1-02530862000	S1-02531812000
59	*	Switch, Limit, Auto Reset	S1-02531835000	S1-02531835000	S1-02531835000	S1-02531813000
60	2	Burner, Gas	S1-02921180000	S1-02921180000	S1-02921180000	S1-02921180000
61	2	Switch, Air Pressure	S1-02425975000	S1-02425975000	S1-02425975000	S1-02425975000
62	*	Gasket, High Temp	S1-02811648000	S1-02811648000	S1-02811648000	S1-02811648000

**NOTE:** \*Not Shown  
 New replacement parts shown in **bold** face type at the first printing of parts list dated 6/13.  
 Major components and suggested stocking items are shown with shaded item number.  
 "<" Across from row indicates a change in that row.  
 --- Not applicable to specified model.

ITEM	FIG	DESCRIPTION	DCYZ-F030N045C	DCYZ-T030N045C	DCYZ-W030N045C	DCYZ-F030N070C
<b>Sheet Metal Components</b>						
66	1	Base Rail, Front	S1-07319413000	S1-07319413000	S1-07319413000	S1-07319413000
67	1	Base Rail, Back	S1-07319414000	S1-07319414000	S1-07319414000	S1-07319414000
68	1	Base Rail, Side (2 Req'd)	S1-07319415000	S1-07319415000	S1-07319415000	S1-07319415000
69	1	Post, Corner Assy	S1-07328013001	S1-07328013001	S1-07328013001	S1-07328013001
71	1	Panel, Access, Blower	S1-37314979001	S1-37314979001	S1-37314979001	S1-37314979001
72	1	Panel, Access, Heater	S1-07314981001	S1-07314981001	S1-07314981001	S1-07314981001
73	1	Panel, Duct	S1-37319412004	S1-37319412004	S1-37319412004	S1-37319412004
74	1	Post, Corner Assy, Front	S1-07328307000	S1-07328307000	S1-07328307000	S1-07328307000
75	1	Post, Corner Assy, Left Front	S1-07320120000	S1-07320120000	S1-07320120000	S1-07320120000
76	1	Duct Cover (2 Req'd)	S1-37314853000	S1-37314853000	S1-37314853000	S1-37314853000
77	*	Screen, Flue	S1-02634000000	S1-02634000000	S1-02634000000	S1-02634000000
78	1	Coil Guard, (Front)	S1-02645704000	S1-02645704000	S1-02645704000	S1-02645704000
79	1	Coil Guard, (Side)	S1-02634531000	S1-02634531000	S1-02634531000	S1-02634531000
80	*	Hood, Flue, Exhaust Outlet	S1-07314988000	S1-07314988000	S1-07314988000	S1-07314988000
81	*	Deflector, Air, Front	S1-07314975000	S1-07314975000	S1-07314975000	S1-07314975000
83	*	Kit, Filter Rack	---	S1-37315868000	S1-37315868000	---
84	*	Filter, Air, Alum.	---	S1-02633202006	S1-02633202006	---
<b>Drain Pan &amp; Accessories</b>						
87	*	Pan, Drain	S1-03200177001	S1-03200177001	S1-03200177001	S1-03200177001
88	*	Plug, Drain Pan	S1-02812480000	S1-02812480000	S1-02812480000	S1-02812480000
89	*	Drain Fitting	S1-7430-3011	S1-7430-3011	S1-7430-3011	S1-7430-3011
90	*	Tubing, Drain	S1-02815480000	S1-02815480000	S1-02815480000	S1-02815480000

**NOTE:** \*Not Shown  
 New replacement parts shown in **bold** face type at the first printing of parts list dated 6/13.  
 Major components and suggested stocking items are shown with shaded item number.  
 “<” Across from row indicates a change in that row.  
 --- Not applicable to specified model.



ITEM	FIG	DESCRIPTION	DCYZ-T030N070C	DCYZ-W030N070C	DCYZ-F036D070C	DCYZ-F036D090C
<b>Compressors</b>						
1	3	Compressor	S1-01504275004	S1-01504276004	S1-01504126001	S1-01504126001
2	3	Cushion Mount	S1-02810505000	S1-02810505000	S1-02810505000	S1-02810505000
3	3	Bolt, Compressor	S1-02116047000	S1-02116047000	S1-02116047000	S1-02116047000
<b>Condensor Fan Motor &amp; Air Moving Components</b>						
5	1	Motor, Fan	S1-02425119701	S1-02425121700	S1-02425119701	S1-02425119701
6	1	Blade, Fan	S1-02639408000	S1-02639408000	S1-02639408000	S1-02639408000
7	1	Guard, Fan	S1-02646742000	S1-02646742000	S1-02646742000	S1-02646742000
8	*	Wireway(26")	S1-02810070000	S1-02810070000	S1-02810070000	S1-02810070000
9	1	Roof, Condenser	S1-37328308000	S1-37328308000	S1-37328308000	S1-37328308000
10	*	Kit, Acorn Nut	S1-36390117700	S1-36390117700	S1-36390117700	S1-36390117700
<b>Indoor Blower Motor &amp; Air Moving Components</b>						
12	1	Motor, Blower, Programmed	S1-02435705009	S1-02435705009	S1-02435705010	S1-02435705010
		Motor, Blower, Unprogrammed	S1-02435705000	S1-02435705000	S1-02435705000	S1-02435705000
13	1	Wheel, Blower	S1-02632088702	S1-02632088702	S1-02632088003	S1-02632088003
14	1	Grommet, Motor Mount (3 Req'd)	S1-02814740000	S1-02814740000	S1-02814740000	S1-02814740000
15	1	Ferrule, Motor Mount (3 Req'd)	S1-02320541000	S1-02320541000	S1-02320541000	S1-02320541000
16	1	Housing, Blower	S1-37314999001	S1-37314999001	S1-37315053001	S1-37315053001
17	1	Assembly, Motor Mount	S1-07328479000	S1-07328479000	S1-07328479000	S1-07328479000
18	*	Cutoff, Blower	S1-07315272000	S1-07315272000	S1-07315272000	S1-07315272000
19	1	Plate, Blower	S1-07314983001	S1-07314983001	S1-07314983002	S1-07314983002
20	1	Switch,Aux Limit, Manual Reset	S1-02531834000	S1-02531834000	S1-02531834000	S1-02531834000
<b>Electric Box</b>						
22						
23	1	Board, Control	S1-03109175000	S1-03109175000	S1-03109174000	S1-03109174000
24	1	Capacitor, Dual Run	---	---	S1-02425893700	S1-02425893700
		Capacitor, Single Run	S1-02420043700	S1-02420043700	---	---
25	1	Transformer	S1-02525973700	S1-02525974700	S1-02518452700	S1-02518452700
26	1	Contacto	S1-02435803000	S1-02435803000	S1-02432004000	S1-02432004000
27	1	Lug, Electrical	S1-02521798000	S1-02521798000	S1-02521798000	S1-02521798000
28	1	Assist, Motor Start	---	---	S1-02425084000	S1-02425084000
29	*	Harness, Wire, Control	S1-02541216000	S1-02541216000	S1-02541213000	S1-02541213000
30	*	Diagram, Wiring	851400	848982	851727	851727
31	1	Transformer	---	S1-02439924000	---	---
32	1	Breaker, Circuit	S1-02434532000	S1-02434532000	---	---
33	1	Block, Terminal	---	S1-02523083000	---	---
<b>Evaporator Coil, Condensor Coil, and Piping Components</b>						
36	3	Coil, Evaporator	S1-37329040000	S1-37329040000	S1-37329039000	S1-37329039000
37	3	Valve, Distributor w/Orifice (Evap)	S1-02206844163	S1-02206844163	S1-02206844103	S1-02206844103
38	3	Coil, Condenser	S1-37328295000	S1-37328295000	S1-37328295000	S1-37328295000
39	3	Switch, High Pressure	S1-02538728000	S1-02538728000	S1-02538728000	S1-02538728000
40	3	Switch, Low Pressure	S1-02539909000	S1-02539909000	S1-02539909000	S1-02539909000
41	3	Filter Drier	S1-52634088000	S1-52634088000	S1-52634088000	S1-52634088000
42	3	Connector Tee, Pres Sw. (2 Req'd)	S1-02322437000	S1-02322437000	S1-02322437000	S1-02322437000
43	*	Valve, Schraeder (4 Req'd)	S1-02202475700	S1-02202475700	S1-02202475700	S1-02202475700
44	*	Cap, Seal (2 Req'd)	S1-02310745000	S1-02310745000	S1-02310745000	S1-02310745000
<b>Heating Section, Vent, Blower, and Gas Control Components</b>						
48	2	Heat Exchanger Assy	S1-37314997703	S1-37314997703	S1-37314997703	S1-37314997704
49	2	Plate, Restrictor	S1-07319347003	S1-07319347003	S1-07319347003	S1-07319347004
50	2	Baffle, Restrictor	S1-07314993001	S1-07314993001	S1-07314993001	S1-07314993001
51	2	Flue, Exhaust	S1-07319344000	S1-07319344000	S1-07319344000	S1-07319344000
52	2	Blower, Vent	S1-02633999001	S1-02633999001	S1-02646427000	S1-02646427000
53	2	Gasket, Vent Blower	S1-02812467000	S1-02812467000	S1-02812467000	S1-02812467000
54	2	Valve, Gas	S1-VR8204M1026	S1-VR8204M1026	S1-02541218000	S1-02541218000
55	2	Manifold, Gas	S1-02921179000	S1-02921179000	S1-02921179000	S1-02921179000
56	2	Orifice, Gas (#43)	S1-02920423043	S1-02920423043	S1-02920423043	S1-02920423043
57	2	Ignitor, Spark, Pilot	S1-02541219000	S1-02541219000	S1-02541219000	S1-02541219000
58	2	Switch, Control Rollout	S1-02531812000	S1-02531812000	S1-02531812000	S1-02531812000
59	*	Switch, Limit, Auto Reset	S1-02531813000	S1-02531813000	S1-02531813000	S1-02531814000
60	2	Burner, Gas	S1-02921180000	S1-02921180000	S1-02921180000	S1-02921180000
61	2	Switch, Air Pressure	S1-02435707000	S1-02425975000	S1-02435707000	S1-02435707000
62	*	Gasket, High Temp	S1-02811648000	S1-02811648000	S1-02811648000	S1-02811648000

**NOTE:** \*Not Shown  
 New replacement parts shown in **bold** face type at the first printing of parts list dated 6/13.  
 Major components and suggested stocking items are shown with shaded item number.  
 "<" Across from row indicates a change in that row.  
 --- Not applicable to specified model.

ITEM	FIG	DESCRIPTION	DCYZ-T030N070C	DCYZ-W030N070C	DCYZ-F036D070C	DCYZ-F036D090C
<b>Sheet Metal Components</b>						
66	1	Base Rail, Front	S1-07319413000	S1-07319413000	S1-07319413000	S1-07319413000
67	1	Base Rail, Back	S1-07319414000	S1-07319414000	S1-07319414000	S1-07319414000
68	1	Base Rail, Side (2 Req'd)	S1-07319415000	S1-07319415000	S1-07319415000	S1-07319415000
69	1	Post, Corner Assy	S1-07328013001	S1-07328013001	S1-07328013001	S1-07328013001
71	1	Panel, Access, Blower	S1-37314979001	S1-37314979001	S1-37314979001	S1-37314979001
72	1	Panel, Access, Heater	S1-07314981000	S1-07314981000	S1-07314981000	S1-07314981000
73	1	Panel, Duct	S1-37319412004	S1-37319412004	S1-37319412004	S1-37319412004
74	1	Post, Corner Assy, Front	S1-07328307000	S1-07328307000	S1-07328307000	S1-07328307000
75	1	Post, Corner Assy, Left Front	S1-07320120000	S1-07320120000	S1-07320120000	S1-07320120000
76	1	Duct Cover (2 Req'd)	S1-37314853000	S1-37314853000	S1-37314853000	S1-37314853000
77	*	Screen, Flue	S1-02634000000	S1-02634000000	S1-02634000000	S1-02634000000
78	1	Coil Guard, (Front)	S1-02645704000	S1-02645704000	S1-02645704000	S1-02645704000
79	1	Coil Guard, (Side)	S1-02634531000	S1-02634531000	S1-02634531000	S1-02634531000
80	*	Hood, Flue, Exhaust Outlet	S1-07314988000	S1-07314988000	S1-07314988000	S1-07314988000
81	*	Deflector, Air, Front	S1-07314975000	S1-07314975000	S1-07314975000	S1-07314975000
83	*	Kit, Filter Rack	S1-37315868000	S1-37315868000	---	---
84	*	Filter, Air, Alum.	S1-02633202006	S1-02633202006	---	---
<b>Drain Pan &amp; Accessories</b>						
87	*	Pan, Drain	S1-03200177001	S1-03200177001	S1-03200177001	S1-03200177001
88	*	Plug, Drain Pan	S1-02812480000	S1-02812480000	S1-02812480000	S1-02812480000
89	*	Drain Fitting	S1-7430-3011	S1-7430-3011	S1-7430-3011	S1-7430-3011
90	*	Tubing, Drain	S1-02815480000	S1-02815480000	S1-02815480000	S1-02815480000

**NOTE:** \*Not Shown  
 New replacement parts shown in **bold** face type at the first printing of parts list dated 6/13.  
 Major components and suggested stocking items are shown with shaded item number.  
 "<" Across from row indicates a change in that row.  
 --- Not applicable to specified model.





ITEM	FIG	DESCRIPTION	DCYZ-F036N045C	DCYZ-T036N045C	DCYZ-W036N045C	DCYZ-F036N070C
<b>Compressors</b>						
1	3	Compressor	S1-01504126001	S1-01504127001	S1-01504128001	S1-01504126001
2	3	Cushion Mount	S1-02810505000	S1-02810505000	S1-02810505000	S1-02810505000
3	3	Bolt, Compressor	S1-02116047000	S1-02116047000	S1-02116047000	S1-02116047000
<b>Condensor Fan Motor &amp; Air Moving Components</b>						
5	1	Motor, Fan	S1-02425119701	S1-024251197001	S1-02425121700	S1-02425119701
6	1	Blade, Fan	S1-02639408000	S1-02639408000	S1-02639408000	S1-02639408000
7	1	Guard, Fan	S1-02646742000	S1-02646742000	S1-02646742000	S1-02646742000
8	*	Wireway(26")	S1-02810070000	S1-02810070000	S1-02810070000	S1-02810070000
9	1	Roof, Condenser	S1-37328308000	S1-37328308000	S1-37328308000	S1-37328308000
10	*	Kit, Acorn Nut	S1-36390117700	S1-36390117700	S1-36390117700	S1-36390117700
<b>Indoor Blower Motor &amp; Air Moving Components</b>						
12	1	Motor, Blower, Programmed	S1-02435705010	S1-02435705010	S1-02435705010	S1-02435705010
		Motor, Blower, Unprogrammed	S1-02435705000	S1-02435705000	S1-02435705000	S1-02435705000
13	1	Wheel, Blower	S1-02632088003	S1-02632088003	S1-02632088003	S1-02632088003
14	1	Grommet, Motor Mount (3 Req'd)	S1-02814740000	S1-02814740000	S1-02814740000	S1-02814740000
15	1	Ferrule, Motor Mount (3 Req'd)	S1-02320541000	S1-02320541000	S1-02320541000	S1-02320541000
16	1	Housing, Blower	S1-37315053001	S1-37315053001	S1-37315053001	S1-37315053001
17	1	Assembly, Motor Mount	S1-07328479000	S1-07328479000	S1-07328479000	S1-07328479000
18	*	Cutoff, Blower	S1-07315272000	S1-07315272000	S1-07315272000	S1-07315272000
19	1	Plate, Blower	S1-07314983002	S1-07314983002	S1-07314983002	S1-07314983002
20	1	Switch,Aux Limit, Manual Reset	S1-02531834000	S1-02531834000	S1-02531834000	S1-02531834000
<b>Electric Box</b>						
22						
23	1	Board, Control	S1-03109175000	S1-03109175000	S1-03109175000	S1-03109175000
24	1	Capacitor, Dual Run	S1-02425893700	---	---	S1-02425893700
		Capacitor, Single Run	---	S1-02420043700	S1-02420043700	---
25	1	Transformer	S1-02518452700	S1-02525973700	S1-02525974700	S1-02518452700
26	1	Contact	S1-02432004000	S1-02435803000	S1-02435803000	S1-02432004000
27	1	Lug, Electrical	S1-02521798000	S1-02521798000	S1-02521798000	S1-02521798000
28	1	Assist, Motor Start	S1-02425084000	---	---	S1-02425084000
29	*	Harness, Wire, Control	S1-02541216000	S1-02541216000	S1-02541216000	S1-02541216000
30	*	Diagram, Wiring	848766	851400	848982	848766
31	1	Transformer	---	---	S1-02539924000	---
32	1	Breaker, Circuit	---	S1-02434532000	S1-02434532000	---
33	1	Block, Terminal	---	---	S1-02523083000	---
<b>Evaporator Coil, Condensor Coil, and Piping Components</b>						
36	3	Coil, Evaporator	S1-37329039000	S1-37329039000	S1-37329039000	S1-37329039000
37	3	Valve, Distributor w/Orifice (Evap)	S1-02206844103	S1-02206844103	S1-02206844103	S1-02206844103
38	3	Coil, Condenser	S1-37328295000	S1-37328295000	S1-37328295000	S1-37328295000
39	3	Switch, High Pressure	S1-02538728000	S1-02538728000	S1-02538728000	S1-02538728000
40	3	Switch, Low Pressure	S1-02539909000	S1-02539909000	S1-02539909000	S1-02539909000
41	3	Filter Drier	S1-52634088000	S1-52634088000	S1-52634088000	S1-52634088000
42	3	Connector Tee, Pres Sw. (2 Req'd)	S1-02322437000	S1-02322437000	S1-02322437000	S1-02322437000
43	*	Valve, Schraeder (4 Req'd)	S1-02202475700	S1-02202475700	S1-02202475700	S1-02202475700
44	*	Cap, Seal (2 Req'd)	S1-02310745000	S1-02310745000	S1-02310745000	S1-02310745000
<b>Heating Section, Vent, Blower, and Gas Control Components</b>						
48	2	Heat Exchanger Assy	S1-37314997702	S1-37314997702	S1-37314997702	S1-37314997703
49	2	Plate, Restrictor	S1-07319347002	S1-07319347002	S1-07319347002	S1-07319347003
50	2	Baffle, Restrictor	S1-07314993001	S1-07314993001	S1-07314993001	S1-07314993001
51	2	Flue, Exhaust	S1-07319344000	S1-07319344000	S1-07319344000	S1-07319344000
52	2	Blower, Vent	S1-02633990001	S1-0263399001	S1-0263399001	S1-0263399001
53	2	Gasket, Vent Blower	S1-02812467000	S1-02812467000	S1-02812467000	S1-02812467000
54	2	Valve, Gas	S1-VR8204M1026	S1-VR8204M1026	S1-VR8204M1026	S1-VR8204M1026
55	2	Manifold, Gas	S1-02921179000	S1-02921179000	S1-02921179000	S1-02921179000
56	2	Orifice, Gas (#43)	S1-02920423043	S1-02920423043	S1-02920423043	S1-02920423043
57	2	Ignitor, Spark, Pilot	S1-02541219000	S1-02541219000	S1-02541219000	S1-02541219000
58	2	Switch, Control Rollout	S1-02530862000	S1-02530862000	S1-02530862000	S1-02531812000
59	*	Switch, Limit, Auto Reset	S1-02531835000	S1-02531835000	S1-02531835000	S1-02531813000
60	2	Burner, Gas	S1-02921180000	S1-02921180000	S1-02921180000	S1-02921180000
61	2	Switch, Air Pressure	S1-02525975000	S1-02425975000	S1-02425975000	S1-02425975000
62	*	Gasket, High Temp	S1-02811648000	S1-02811648000	S1-02811648000	S1-02811648000

ITEM	FIG	DESCRIPTION	DCYZ-F036N045C	DCYZ-T036N045C	DCYZ-W036N045C	DCYZ-F036N070C
<b>Sheet Metal Components</b>						
66	1	Base Rail, Front	S1-07319413000	S1-07319413000	S1-07319413000	S1-07319413000
67	1	Base Rail, Back	S1-07319414000	S1-07319414000	S1-07319414000	S1-07319414000
68	1	Base Rail, Side (2 Req'd)	S1-07319415000	S1-07319415000	S1-07319415000	S1-07319415000
69	1	Post, Corner Assy	S1-07328013001	S1-07328013001	S1-07328013001	S1-07328013001
71	1	Panel, Access, Blower	S1-37314979001	S1-37314979001	S1-37314979001	S1-37314979001
72	1	Panel, Access, Heater	S1-07314981000	S1-07314981000	S1-07314981000	S1-07314981000
73	1	Panel, Duct	S1-37319412004	S1-37319412004	S1-37319412004	S1-37319412004
74	1	Post, Corner Assy, Front	S1-07328307000	S1-07328307000	S1-07328307000	S1-07328307000
75	1	Post, Corner Assy, Left Front	S1-07320120000	S1-07320120000	S1-07320120000	S1-07320120000
76	1	Duct Cover (2 Req'd)	S1-37314853000	S1-37314853000	S1-37314853000	S1-37314853000
77	*	Screen, Flue	S1-02634000000	S1-02634000000	S1-02634000000	S1-02634000000
78	1	Coil Guard, (Front)	S1-02645704000	S1-02645704000	S1-02645704000	S1-02645704000
79	1	Coil Guard, (Side)	S1-02634531000	S1-02634531000	S1-02634531000	S1-02634531000
80	*	Hood, Flue, Exhaust Outlet	S1-07314988000	S1-07314988000	S1-07314988000	S1-07314988000
81	*	Deflector, Air, Front	S1-07314975000	S1-07314975000	S1-07314975000	S1-07314975000
83	*	Kit, Filter Rack	---	S1-37315868000	S1-37315868000	---
84	*	Filter, Air, Alum.	---	S1-02633202006	S1-02633202006	---
<b>Drain Pan &amp; Accessories</b>						
87	*	Pan, Drain	S1-03200177001	S1-03200177001	S1-03200177001	S1-03200177001
88	*	Plug, Drain Pan	S1-02812480000	S1-02812480000	S1-02812480000	S1-02812480000
89	*	Drain Fitting	S1-7430-3011	S1-7430-3011	S1-7430-3011	S1-7430-3011
90	*	Tubing, Drain	S1-02815480000	S1-02815480000	S1-02815480000	S1-02815480000

**NOTE:** \*Not Shown  
 New replacement parts shown in **bold** face type at the first printing of parts list dated 6/13.  
 Major components and suggested stocking items are shown with shaded item number.  
 "<" Across from row indicates a change in that row.  
 --- Not applicable to specified model.



ITEM	FIG	DESCRIPTION	DCYZ-T036N070C	DCYZ-W036N070C	DCYZ-F036N090C	DCYZ-T036N090C
<b>Compressors</b>						
1	3	Compressor	S1-01504127001	S1-01504128001	S1-01504126001	S1-01504127001
2	3	Cushion Mount	S1-02810505000	S1-02810505000	S1-02810505000	S1-02810505000
3	3	Bolt, Compressor	S1-02116047000	S1-02116047000	S1-02116047000	S1-02116047000
<b>Condensor Fan Motor &amp; Air Moving Components</b>						
5	1	Motor, Fan	S1-02425119701	S1-02425121700	S1-02425119701	S1-02425119701
6	1	Blade, Fan	S1-02639408000	S1-02639408000	S1-02639408000	S1-02639408000
7	1	Guard, Fan	S1-02646742000	S1-02646742000	S1-02646742000	S1-02646742000
8	*	Wireway(26")	S1-02810070000	S1-02810070000	S1-02810070000	S1-02810070000
9	1	Roof, Condenser	S1-37328308000	S1-37328308000	S1-37328308000	S1-37328308000
10	*	Kit, Acorn Nut	S1-36390117700	S1-36390117700	S1-36390117700	S1-36390117700
<b>Indoor Blower Motor &amp; Air Moving Components</b>						
12	1	Motor, Blower, Programmed	S1-02435705010	S1-02435705010	S1-02435705010	S1-02435705010
		Motor, Blower, Unprogrammed	S1-02435705000	S1-02435705000	S1-02435705000	S1-02435705000
13	1	Wheel, Blower	S1-02632088003	S1-02632088003	S1-02632088003	S1-02632088003
14	1	Grommet, Motor Mount (3 Req'd)	S1-02814740000	S1-02814740000	S1-02814740000	S1-02814740000
15	1	Ferrule, Motor Mount (3 Req'd)	S1-02320541000	S1-02320541000	S1-02320541000	S1-02320541000
16	1	Housing, Blower	S1-37315053001	S1-37315053001	S1-37315053001	S1-37315053001
17	1	Assembly, Motor Mount	S1-07328479000	S1-07328479000	S1-07328479000	S1-07328479000
18	*	Cutoff, Blower	S1-07315272000	S1-07315272000	S1-07315272000	S1-07315272000
19	1	Plate, Blower	S1-07314983002	S1-07314983002	S1-07314983002	S1-07314983002
20	1	Switch,Aux Limit, Manual Reset	S1-02531834000	S1-02531834000	S1-02531834000	S1-02531834000
<b>Electric Box</b>						
22						
23	1	Board, Control	S1-03109175000	S1-03109175000	S1-03109175000	S1-03109175000
24	1	Capacitor, Dual Run	---	---	S1-02425893700	---
		Capacitor, Single Run	S1-02420043700	S1-02420043700	---	S1-02420043700
25	1	Transformer	S1-02525973700	S1-02525974700	S1-02518452700	S1-02525973700
26	1	Contacto	S1-02435803000	S1-02435803000	S1-02432004000	S1-02435803000
27	1	Lug, Electrical	S1-02521798000	S1-02521798000	S1-02521798000	S1-02521798000
28	1	Assist, Motor Start	---	---	S1-02425084000	---
29	*	Harness, Wire, Control	S1-02541216000	S1-02541216000	S1-02541216000	S1-02541216000
30	*	Diagram, Wiring	851400	848982	848766	851400
31	1	Transformer	---	S1-02439924000	---	---
32	1	Breaker, Circuit	S1-02434532000	S1-02434532000	---	S1-02434532000
33	1	Block, Terminal	---	S1-02523083000	---	---
<b>Evaporator Coil, Condensor Coil, and Piping Components</b>						
36	3	Coil, Evaporator	S1-37329039000	S1-37329039000	S1-37329039000	S1-37329039000
37	3	Valve, Distributor w/Orifice (Evap)	S1-02206844103	S1-02206844103	S1-02206844103	S1-02206844103
38	3	Coil, Condenser	S1-37328295000	S1-37328295000	S1-37328295000	S1-37328295000
39	3	Switch, High Pressure	S1-02538728000	S1-02538728000	S1-02538728000	S1-02538728000
40	3	Switch, Low Pressure	S1-02539909000	S1-02539909000	S1-02539909000	S1-02539909000
41	3	Filter Drier	S1-52634088000	S1-52634088000	S1-52634088000	S1-52634088000
42	3	Connector Tee, Pres Sw. (2 Req'd)	S1-02322437000	S1-02322437000	S1-02322437000	S1-02322437000
43	*	Valve, Schraeder (4 Req'd)	S1-02202475700	S1-02202475700	S1-02202475700	S1-02202475700
44	*	Cap, Seal (2 Req'd)	S1-02310745000	S1-02310745000	S1-02310745000	S1-02310745000
<b>Heating Section, Vent, Blower, and Gas Control Components</b>						
48	2	Heat Exchanger Assy	S1-37314997703	S1-37314997703	S1-37314997704	S1-37314997704
49	2	Plate, Restrictor	S1-07319347003	S1-07319347003	S1-07319347004	S1-07319347004
50	2	Baffle, Restrictor	S1-07314993001	S1-07314993001	S1-07314993001	S1-07314993001
51	2	Flue, Exhaust	S1-07319344000	S1-07319344000	S1-07319344000	S1-07319344000
52	2	Blower, Vent	S1-02646427000	S1-02633999001	S1-02633999001	S1-02633999001
53	2	Gasket, Vent Blower	S1-02812467000	S1-02812467000	S1-02812467000	S1-02812467000
54	2	Valve, Gas	S1-VR8204M1026	S1-VR8204M1026	S1-VR8204M1026	S1-VR8204M1026
55	2	Manifold, Gas	S1-02921179000	S1-02921179000	S1-02921179000	S1-02921179000
56	2	Orifice, Gas (#43)	S1-02920423043	S1-02920423043	S1-02920423043	S1-02920423043
57	2	Ignitor, Spark, Pilot	S1-02541219000	S1-02541219000	S1-02541219000	S1-02541219000
58	2	Switch, Control Rollout	S1-02531812000	S1-02531812000	S1-02531812000	S1-02531812000
59	*	Switch, Limit, Auto Reset	S1-02531813000	S1-02531813000	S1-02531813000	S1-02531813000
60	2	Burner, Gas	S1-02921180000	S1-02921180000	S1-02921180000	S1-02921180000
61	2	Switch, Air Pressure	S1-02425975000	S1-02425975000	S1-02425975000	S1-02425975000
62	*	Gasket, High Temp	S1-02811648000	S1-02811648000	S1-02811648000	S1-02811648000

ITEM	FIG	DESCRIPTION	DCYZ-T036N070C	DCYZ-W036N070C	DCYZ-F036N090C	DCYZ-T036N090C
<b>Sheet Metal Components</b>						
66	1	Base Rail, Front	S1-07319413000	S1-07319413000	S1-07319413000	S1-07319413000
67	1	Base Rail, Back	S1-07319414000	S1-07319414000	S1-07319414000	S1-07319414000
68	1	Base Rail, Side (2 Req'd)	S1-07319415000	S1-07319415000	S1-07319415000	S1-07319415000
69	1	Post, Corner Assy	S1-07328013001	S1-07328013001	S1-07328013001	S1-07328013001
71	1	Panel, Access, Blower	S1-37314979001	S1-37314979001	S1-37314979001	S1-37314979001
72	1	Panel, Access, Heater	S1-07314981000	S1-07314981000	S1-07314981000	S1-07314981000
73	1	Panel, Duct	S1-37319412004	S1-37319412004	S1-37319412004	S1-37319412004
74	1	Post, Corner Assy, Front	S1-07328307000	S1-07328307000	S1-07328307000	S1-07328307000
75	1	Post, Corner Assy, Left Front	S1-07320120000	S1-07320120000	S1-07320120000	S1-07320120000
76	1	Duct Cover (2 Req'd)	S1-37314853000	S1-37314853000	S1-37314853000	S1-37314853000
77	*	Screen, Flue	S1-02634000000	S1-02634000000	S1-02634000000	S1-02634000000
78	1	Coil Guard, (Front)	S1-02645704000	S1-02645704000	S1-02645704000	S1-02645704000
79	1	Coil Guard, (Side)	S1-02634531000	S1-02634531000	S1-02634531000	S1-02634531000
80	*	Hood, Flue, Exhaust Outlet	S1-07314988000	S1-07314988000	S1-07314988000	S1-07314988000
81	*	Deflector, Air, Front	S1-07314975000	S1-07314975000	S1-07314975000	S1-07314975000
83	*	Kit, Filter Rack	S1-37315868000	S1-37315868000	---	S1-37315868000
84	*	Filter, Air, Alum.	S1-02633202006	S1-02633202006	---	S1-02633202006
<b>Drain Pan &amp; Accessories</b>						
87	*	Pan, Drain	S1-03200177001	S1-03200177001	S1-03200177001	S1-03200177001
88	*	Plug, Drain Pan	S1-02812480000	S1-02812480000	S1-02812480000	S1-02812480000
89	*	Drain Fitting	S1-7430-3011	S1-7430-3011	S1-7430-3011	S1-7430-3011
90	*	Tubing, Drain	S1-02815480000	S1-02815480000	S1-02815480000	S1-02815480000

**NOTE:** \*Not Shown  
New replacement parts shown in **bold** face type at the first printing of parts list dated 6/13.  
Major components and suggested stocking items are shown with shaded item number.  
"←" Across from row indicates a change in that row.  
--- Not applicable to specified model.



ITEM	FIG	DESCRIPTION	DCYZ-W036N090C	DCYZ-F042D110C	DCYZ-F042N080C	DCYZ-T042N080C
<b>Compressors</b>						
1	3	Compressor	S1-01504128001	S1-01504130001	S1-01504130001	S1-01504131001
2	3	Cushion Mount	S1-02810505000	S1-02810505000	S1-02810505000	S1-02810505000
3	3	Bolt, Compressor	S1-02116047000	S1-02116047000	S1-02116047000	S1-02116047000
<b>Condensor Fan Motor &amp; Air Moving Components</b>						
5	1	Motor, Fan	S1-02425121700	S1-02424117003	S1-02424117003	S1-02424117003
6	1	Blade, Fan	S1-02639408000	S1-02639408000	S1-02639408000	S1-02639408000
7	1	Guard, Fan	S1-02646742000	S1-02646742000	S1-02646742000	S1-02646742000
8	*	Wireway(26")	S1-02810070000	S1-02810070000	S1-02810070000	S1-02810070000
9	1	Roof, Condenser	S1-37328308000	S1-37328308000	S1-37328308000	S1-37328308000
10	*	Kit, Acorn Nut	S1-36390117700	S1-36390117700	S1-36390117700	S1-36390117700
<b>Indoor Blower Motor &amp; Air Moving Components</b>						
12	1	Motor, Blower, Programmed	S1-02435705010	S1-02435705008	S1-02435705008	S1-02435705008
		Motor, Blower, Unprogrammed	S1-02435705000	S1-02435705000	S1-02435705000	S1-02435705000
13	1	Wheel, Blower	S1-02632088003	Included in item #16	Included in item #16	Included in item #16
14	1	Grommet, Motor Mount (3 Req'd)	S1-02814740000	S1-02814740000	S1-02814740000	S1-02814740000
15	1	Ferrule, Motor Mount (3 Req'd)	S1-02320541000	S1-02320541000	S1-02320541000	S1-02320541000
16	1	Housing, Blower	S1-37315053001	S1-02642533000	S1-02642533000	S1-02642533000
17	1	Assembly, Motor Mount	S1-07328479000	S1-07328479000	S1-07328479000	S1-07328479000
18	*	Cutoff, Blower	S1-07315272000	---	---	---
19	1	Plate, Blower	S1-07314983002	S1-07316301001	S1-07316301001	S1-07316301001
20	1	Switch,Aux Limit, Manual Reset	S1-02531834000	S1-02531834000	S1-02531834000	S1-02531834000
<b>Electric Box</b>						
22						
23	1	Board, Control	S1-03109175000	S1-03109174000	S1-03109175000	S1-03109175000
24	1	Capacitor, Dual Run	---	S1-02425059700	S1-02425059700	---
		Capacitor, Single Run	S1-02420043700	---	---	S1-02420045700
25	1	Transformer	S1-02525974700	S1-02518452700	S1-02518452700	S1-02525973700
26	1	Contact	S1-02435803000	S1-02432004000	S1-02432004000	S1-02435803000
27	1	Lug, Electrical	S1-02521798000	S1-02521798000	S1-02521798000	S1-02521798000
28	1	Assist, Motor Start	---	S1-02425398000	S1-02425398000	---
29	*	Harness, Wire, Control	S1-02541216000	S1-02541213000	S1-02541216000	S1-02541216000
30	*	Diagram, Wiring	848982	851727	848766	851400
31	1	Transformer	S1-02439924000	---	---	---
32	1	Breaker, Circuit	S1-02434532000	---	---	S1-02434532000
33	1	Block, Terminal	S1-02523083000	---	---	---
<b>Evaporator Coil, Condensor Coil, and Piping Components</b>						
36	3	Coil, Evaporator	S1-37329039000	S1-37329038000	S1-37329038000	S1-37329038000
37	3	Valve, Distributor w/Orifice (Evap)	S1-02206844103	S1-02206844094	S1-02206844094	S1-02206844094
38	3	Coil, Condenser	S1-37328295000	S1-37328296000	S1-37328296000	S1-37328296000
39	3	Switch, High Pressure	S1-02538728000	S1-02538728000	S1-02538728000	S1-02538728000
40	3	Switch, Low Pressure	S1-02539909000	S1-02539909000	S1-02539909000	S1-02539909000
41	3	Filter Drier	S1-52634088000	S1-52634088000	S1-52634088000	S1-52634088000
42	3	Connector Tee, Pres Sw. (2 Req'd)	S1-02322437000	S1-02322437000	S1-02322437000	S1-02322437000
43	*	Valve, Schraeder (4 Req'd)	S1-02202475700	S1-02202475700	S1-02202475700	S1-02202475700
44	*	Cap, Seal (2 Req'd)	S1-02310745000	S1-02310745000	S1-02310745000	S1-02310745000
<b>Heating Section, Vent, Blower, and Gas Control Components</b>						
48	2	Heat Exchanger Assy	S1-37314997704	S1-37316471704	S1-37316471703	S1-37316471703
49	2	Plate, Restrictor	S1-07319347004	S1-07319348004	S1-07319348003	S1-07319348003
50	2	Baffle, Restrictor	S1-07314993001	S1-07314993002	S1-07314993002	S1-07314993002
51	2	Flue, Exhaust	S1-07319344000	S1-07319344000	S1-07319344000	S1-07319344000
52	2	Blower, Vent	S1-02633999001	S1-02646427000	S1-02633999001	S1-02633999001
53	2	Gasket, Vent Blower	S1-02812467000	S1-02812467000	S1-02812467000	S1-02812467000
54	2	Valve, Gas	S1-VR8204M1026	S1-02541218000	S1-VR8204M1026	S1-VR8204M1026
55	2	Manifold, Gas	S1-02921179000	S1-02921198000	S1-02921198000	S1-02921198000
56	2	Orifice, Gas (#43)	S1-02920423043	---	---	---
		Orifice, Gas (#40)	---	S1-02920423040	S1-02920423040	S1-02920423040
57	2	Ignitor, Spark, Pilot	S1-02541219000	S1-02541219000	S1-02541219000	S1-02541219000
58	2	Switch, Control Rollout	S1-02531812000	S1-02531812000	S1-02530862000	S1-02530862000
59	*	Switch, Limit, Auto Reset	S1-02531813000	S1-02537494000	S1-02531835000	S1-02531835000
60	2	Burner, Gas	S1-02921180000	S1-02921180000	S1-02921180000	S1-02921180000
61	2	Switch, Air Pressure	S1-02425975000	S1-02435707000	S1-02425975000	S1-02425975000
62	*	Gasket, High Temp	S1-02811648000	S1-02811648000	S1-02811648000	S1-02811648000

ITEM	FIG	DESCRIPTION	DCYZ-W036N090C	DCYZ-F042D110C	DCYZ-F042N080C	DCYZ-T042N080C
<b>Sheet Metal Components</b>						
66	1	Base Rail, Front	S1-07319413000	S1-07319413000	S1-07319413000	S1-07319413000
67	1	Base Rail, Back	S1-07319414000	S1-07319414000	S1-07319414000	S1-07319414000
68	1	Base Rail, Side (2 Req'd)	S1-07319415000	S1-07319415000	S1-07319415000	S1-07319415000
69	1	Post, Corner Assy	S1-07328013001	S1-07328013002	S1-07328013002	S1-07328013002
71	1	Panel, Access, Blower	S1-37314979001	S1-37314979002	S1-37314979002	S1-37314979002
72	1	Panel, Access, Heater	S1-07314981000	S1-07314981002	S1-07314981002	S1-07314981002
73	1	Panel, Duct	S1-37319412004	S1-37319412007	S1-37319412007	S1-37319412007
74	1	Post, Corner Assy, Front	S1-07328307000	S1-07328306000	S1-07328306000	S1-07328306000
75	1	Post, Corner Assy, Left Front	S1-07320120000	S1-07320121000	S1-07320121000	S1-07320121000
76	1	Duct Cover (2 Req'd)	S1-37314853000	S1-37314853000	S1-37314853000	S1-37314853000
77	*	Screen, Flue	S1-02634000000	S1-02634000000	S1-02634000000	S1-02634000000
78	1	Coil Guard, (Front)	S1-02645704000	S1-02645703000	S1-02645703000	S1-02645703000
79	1	Coil Guard, (Side)	S1-02634531000	S1-02634573000	S1-02634573000	S1-02634573000
80	*	Hood, Flue, Exhaust Outlet	S1-07314988000	S1-07314988000	S1-07314988000	S1-07314988000
81	*	Deflector, Air, Front	S1-07314975000	S1-07314975000	S1-07314975000	S1-07314975000
83	*	Kit, Filter Rack	S1-37315868000	---	---	S1-37315868000
84	*	Filter, Air, Alum.	S1-02633202006	---	---	S1-02633202006
<b>Drain Pan &amp; Accessories</b>						
87	*	Pan, Drain	S1-03200177001	S1-03200177001	S1-03200177001	S1-03200177001
88	*	Plug, Drain Pan	S1-02812480000	S1-02812480000	S1-02812480000	S1-02812480000
89	*	Drain Fitting	S1-7430-3011	S1-7430-3011	S1-7430-3011	S1-7430-3011
90	*	Tubing, Drain	S1-02815480000	S1-02815480000	S1-02815480000	S1-02815480000

**NOTE:** \*Not Shown  
 New replacement parts shown in **bold** face type at the first printing of parts list dated 6/13.  
 Major components and suggested stocking items are shown with shaded item number.  
 "<" Across from row indicates a change in that row.  
 --- Not applicable to specified model.



ITEM	FIG	DESCRIPTION	DCYZ-W042N080C	DCYZ-F042N110C	DCYZ-T042N110C	DCYZ-W042N110C
<b>Compressors</b>						
1	3	Compressor	S1-01504132001	S1-01504130001	S1-01504131001	S1-01504132001
2	3	Cushion Mount	S1-02810505000	S1-02810505000	S1-02810505000	S1-02810505000
3	3	Bolt, Compressor	S1-02116047000	S1-02116047000	S1-02116047000	S1-02116047000
<b>Condensor Fan Motor &amp; Air Moving Components</b>						
5	1	Motor, Fan	S1-02425913700	S1-02424117003	S1-02424117003	S1-02425913700
6	1	Blade, Fan	S1-02639408000	S1-02639408000	S1-02639408000	S1-02639408000
7	1	Guard, Fan	S1-02646742000	S1-02646742000	S1-02646742000	S1-02646742000
8	*	Wireway(26")	S1-02810070000	S1-02810070000	S1-02810070000	S1-02810070000
9	1	Roof, Condenser	S1-37328308000	S1-37328308000	S1-37328308000	S1-37328308000
10	*	Kit, Acorn Nut	S1-36390117700	S1-36390117700	S1-36390117700	S1-36390117700
<b>Indoor Blower Motor &amp; Air Moving Components</b>						
12	1	Motor, Blower, Programmed	S1-02435705008	S1-02435705008	S1-02435705008	S1-02435705008
		Motor, Blower, Unprogrammed	S1-02435705000	S1-02435705000	S1-02435705000	S1-02435705000
13	1	Wheel, Blower	Included in item #16	Included in item #16	Included in item #16	Included in item #16
14	1	Grommet, Motor Mount (3 Req'd)	S1-02814740000	S1-02814740000	S1-02814740000	S1-02814740000
15	1	Ferrule, Motor Mount (3 Req'd)	S1-02320541000	S1-02320541000	S1-02320541000	S1-02320541000
16	1	Housing, Blower	S1-02642533000	S1-02642533000	S1-02642533000	S1-02642533000
17	1	Assembly, Motor Mount	S1-07328479000	S1-07328479000	S1-07328479000	S1-07328479000
18	*	Cutoff, Blower	---	---	---	---
19	1	Plate, Blower	S1-07316301001	S1-07316301001	S1-07316301001	S1-07316301001
20	1	Switch,Aux Limit, Manual Reset	S1-02531834000	S1-02531834000	S1-02531834000	S1-02531834000
<b>Electric Box</b>						
22						
23	1	Board, Control	S1-03109175000	S1-03109175000	S1-03109175000	S1-03109175000
24	1	Capacitor, Dual Run	---	S1-02425059700	---	---
		Capacitor, Single Run	S1-02420045700	---	S1-02420045700	S1-02420045700
25	1	Transformer	S1-02525974700	S1-02518452700	S1-02525973700	S1-02525974700
26	1	Contacto	S1-02435803000	S1-02432004000	S1-02435803000	S1-02435803000
27	1	Lug, Electrical	S1-02521798000	S1-02521798000	S1-02521798000	S1-02521798000
28	1	Assist, Motor Start	---	S1-02425398000	---	---
29	*	Harness, Wire, Control	S1-02541216000	S1-02541216000	S1-02541216000	S1-02541216000
30	*	Diagram, Wiring	848982	848766	851400	848982
31	1	Transformer	S1-02439924000	---	---	S1-02439924000
32	1	Breaker, Circuit	S1-02434532000	---	S1-02434532000	S1-02434532000
33	1	Block, Terminal	S1-02523083000	---	---	S1-02523083000
<b>Evaporator Coil, Condensor Coil, and Piping Components</b>						
36	3	Coil, Evaporator	S1-37329038000	S1-37329038000	S1-37329038000	S1-37329038000
37	3	Valve, Distributor w/Orifice (Evap)	S1-02206844094	S1-02206844094	S1-02206844094	S1-02206844094
38	3	Coil, Condenser	S1-37328296000	S1-37328296000	S1-37328296000	S1-37328296000
39	3	Switch, High Pressure	S1-02538728000	S1-02538728000	S1-02538728000	S1-02538728000
40	3	Switch, Low Pressure	S1-02539909000	S1-02539909000	S1-02539909000	S1-02539909000
41	3	Filter Drier	S1-52634088000	S1-52634088000	S1-52634088000	S1-52634088000
42	3	Connector Tee, Pres Sw. (2 Req'd)	S1-02322437000	S1-02322437000	S1-02322437000	S1-02322437000
43	*	Valve, Schraeder (4 Req'd)	S1-02202475700	S1-02202475700	S1-02202475700	S1-02202475700
44	*	Cap, Seal (2 Req'd)	S1-02310745000	S1-02310745000	S1-02310745000	S1-02310745000
<b>Heating Section, Vent, Blower, and Gas Control Components</b>						
48	2	Heat Exchanger Assy	S1-37316471703	S1-37316471704	S1-37316471704	S1-37316471704
49	2	Plate, Restrictor	S1-07319348003	S1-07319348004	S1-07319348004	S1-07319348004
50	2	Baffle, Restrictor	S1-07314993002	S1-07314993002	S1-07314993002	S1-07314993002
51	2	Flue, Exhaust	S1-07319344000	S1-07319344000	S1-07319344000	S1-07319344000
52	2	Blower, Vent	S1-02633999001	S1-02633999001	S1-02633999001	S1-02633999001
53	2	Gasket, Vent Blower	S1-02812467000	S1-02812467000	S1-02812467000	S1-02812467000
54	2	Valve, Gas	S1-VR8204M1026	S1-VR8204M1026	S1-VR8204M1026	S1-VR8204M1026
55	2	Manifold, Gas	S1-02921198000	S1-02921198000	S1-02921198000	S1-02921198000
56	2	Orifice, Gas (#40)	S1-02920423040	S1-02920423040	S1-02920423040	S1-02920423040
57	2	Ignitor, Spark, Pilot	S1-02541219000	S1-02541219000	S1-02541219000	S1-02541219000
58	2	Switch, Control Rollout	S1-02530862000	S1-02531812000	S1-02531812000	S1-02531812000
59	*	Switch, Limit, Auto Reset	S1-02531835000	S1-02531813000	S1-02531813000	S1-02531813000
60	2	Burner, Gas	S1-02921180000	S1-02921180000	S1-02921180000	S1-02921180000
61	2	Switch, Air Pressure	S1-02425975000	S1-02425975000	S1-02425975000	S1-02425975000
62	*	Gasket, High Temp	S1-02811648000	S1-02811648000	S1-02811648000	S1-02811648000

ITEM	FIG	DESCRIPTION	DCYZ-W042N080C	DCYZ-F042N110C	DCYZ-T042N110C	DCYZ-W042N110C
<b>Sheet Metal Components</b>						
66	1	Base Rail, Front	S1-07319413000	S1-07319413000	S1-07319413000	S1-07319413000
67	1	Base Rail, Back	S1-07319414000	S1-07319414000	S1-07319414000	S1-07319414000
68	1	Base Rail, Side (2 Req'd)	S1-07319415000	S1-07319415000	S1-07319415000	S1-07319415000
69	1	Post, Corner Assy	S1-07328013002	S1-07328013002	S1-07328013002	S1-07328013002
71	1	Panel, Access, Blower	S1-37314979002	S1-37314979002	S1-37314979002	S1-37314979002
72	1	Panel, Access, Heater	S1-07314981002	S1-07314981002	S1-07314981002	S1-07314981002
73	1	Panel, Duct	S1-37319412007	S1-37319412007	S1-37319412007	S1-37319412007
74	1	Post, Corner Assy, Front	S1-07328306000	S1-07328306000	S1-07328306000	S1-07328306000
75	1	Post, Corner Assy, Left Front	S1-07320121000	S1-07320121000	S1-07320121000	S1-07320121000
76	1	Duct Cover (2 Req'd)	S1-37314853000	S1-37314853000	S1-37314853000	S1-37314853000
77	*	Screen, Flue	S1-02634000000	S1-02634000000	S1-02634000000	S1-02634000000
78	1	Coil Guard, (Front)	S1-02645703000	S1-02645703000	S1-02645703000	S1-02645703000
79	1	Coil Guard, (Side)	S1-02634573000	S1-02634573000	S1-02634573000	S1-02634573000
80	*	Hood, Flue, Exhaust Outlet	S1-07314988000	S1-07314988000	S1-07314988000	S1-07314988000
81	*	Deflector, Air, Front	S1-07314975000	S1-07314975000	S1-07314975000	S1-07314975000
83	*	Kit, Filter Rack	S1-37315868000	---	S1-37315868000	S1-37315868000
84	*	Filter, Air, Alum.	S1-02633202006	---	S1-02633202006	S1-02633202006
<b>Drain Pan &amp; Accessories</b>						
87	*	Pan, Drain	S1-03200177001	S1-03200177001	S1-03200177001	S1-03200177001
88	*	Plug, Drain Pan	S1-02812480000	S1-02812480000	S1-02812480000	S1-02812480000
89	*	Drain Fitting	S1-7430-3011	S1-7430-3011	S1-7430-3011	S1-7430-3011
90	*	Tubing, Drain	S1-02815480000	S1-02815480000	S1-02815480000	S1-02815480000

**NOTE:** \*Not Shown  
 New replacement parts shown in **bold** face type at the first printing of parts list dated 6/13.  
 Major components and suggested stocking items are shown with shaded item number.  
 "<" Across from row indicates a change in that row.  
 --- Not applicable to specified model.

For Lo-Nox Models listed below, all components are identical with the models above except for the addition of lo-nox screens part number S1-02634598000 (1 per burner).

LO-NOX MODELS			
DCYZ-F024N045X	DCYZ-F030N045X	DCYZ-F036N070X	DCYZ-F042N080X
DCYZ-F024N070X	DCYZ-F030N070X	DCYZ-F036N090X	

**TO ORDER AUTHORIZED FACTORY REPLACEMENT PARTS** - Contact your Source1 HVAC Parts Distributor or visit our website at [www.Source1Parts.com](http://www.Source1Parts.com) for a Distributor and Dealer listing.