



www.Source1Parts.com

# GY9S SERIES (STYLE G) 91% DOWNFLOW/HORIZONTAL NATURAL GAS FURNACES

HVAC SERVICE PARTS

Supersedes: Nothing

035-20370-001 Rev. A (0504)

1 of 8

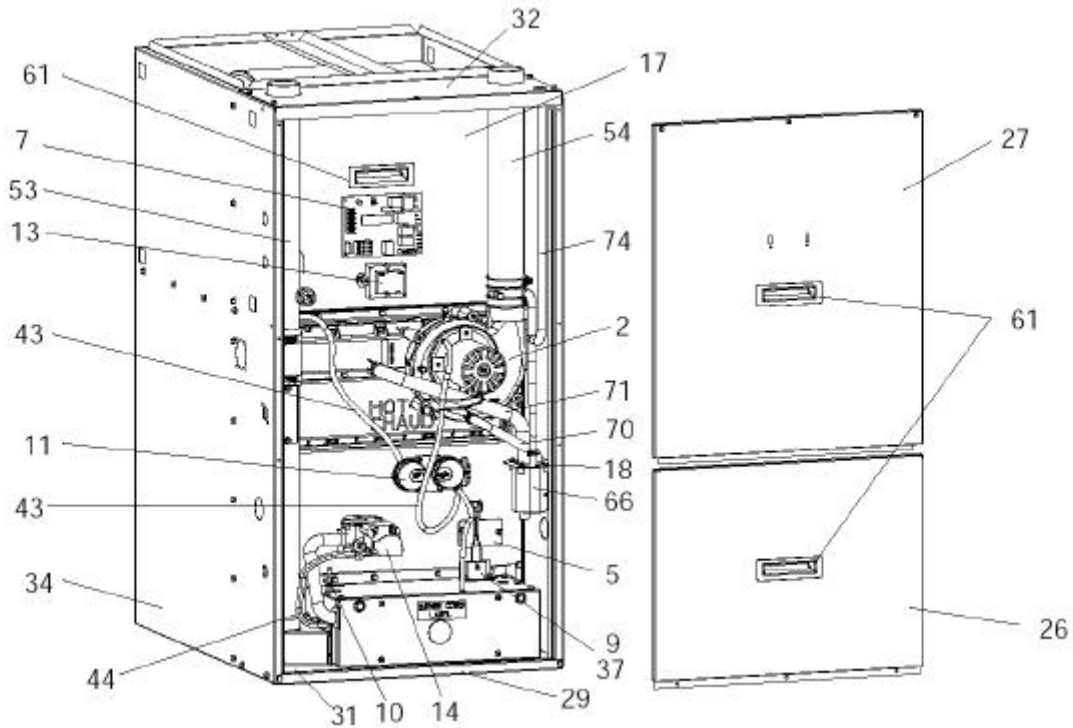


Figure 1: DOWNFLOW/HORIZONTAL NATURAL GAS FURNACES (91%)

FIG	ITEM	DESCRIPTION	GY9S060B12DH11G	GY9S080B12DH11G	GY9S080C16DH11G	<
			(3 BURNER)	(4 BURNER)	(4 BURNER)	
<b>MOTOR</b>						
2	1	MOTOR, DIRECT DRIVE BLOWER	024-32054-000	024-32054-000	024-32055-000	
1,2	2	MOTOR, INDUCER ASS'Y	024-34558-000	024-34558-000	024-34558-000	
<b>ELECTRICAL</b>						
2	3	CAPACITOR, RUN (7.5MFD/370V) CAPACITOR, RUN (10MFD/370V)	024-20045-000 ---	024-20045-000 ---	--- 024-20046-000	
2	4	SWITCH, LIMIT (INDUCER)	025-38737-000	025-38737-000	025-38737-000	
1,2	5	LIMIT, TEMPERATURE (Primary)	025-29041-004	025-29041-011	025-29041-004	
2,3	6	LIMIT, FLAME ROLL-OUT	025-27792-001	025-27792-001	025-27792-001	
1	7	CONTROL, FURNACE MODULE	031-01972-000	031-01972-000	031-01972-000	
*	8	FUSE	025-32746-026	025-32746-026	025-32746-026	
1,3	9	IGNITER	025-32625-000	025-32625-000	025-32625-000	
1,3	10	SENSOR, FLAME	025-37499-000	025-37499-000	025-37499-000	
1	11	SWITCH, PRESSURE	024-34562-000	024-34561-000	024-34560-000	
*	12	SWITCH, DOOR	024-27640-000	024-27640-000	024-27640-000	
1	13	TRANSFORMER	025-30889-000	025-30889-000	025-30889-000	
ALL	14	VALVE, GAS	025-37426-000	025-37426-000	025-37426-000	
<b>AIR MOVING</b>						
2	15	HOUSING, BLOWER	373-19812-751	373-19812-751	373-19816-751	
2	16	WHEEL, BLOWER	026-19654-009	026-19654-009	026-19654-014	

NOTE: \*Not Shown

New replacement parts shown in **bold** face type at the first printing of parts list dated 5/04.

Major components and suggested stocking items are shown with shaded item number.

"<" Across from row indicates a change in that row.

--- Not applicable to specified model.

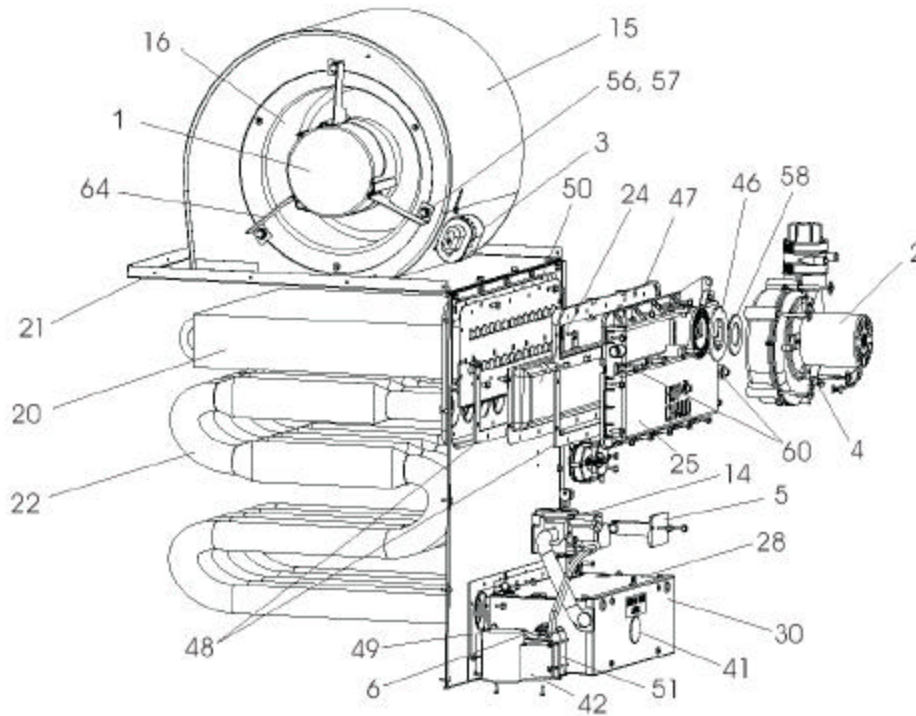


Figure 2: DOWNFLOW/HORIZONTAL NATURAL GAS FURNACES (91%)

FIG	ITEM	DESCRIPTION	GY9S060B12DH11G	GY9S080B12DH11G	GY9S080C16DH11G	<
			(3 BURNER)	(4 BURNER)	(4 BURNER)	
<b>FABRICATED PARTS</b>						
1	17	PANEL, BLOWER COVER	073-19812-370	073-19812-370	073-19816-370	
1	18	BRACKET, CONDENSATE TRAP	073-19811-001	073-19811-001	073-19811-001	
3	19	BURNER, MAIN GAS	029-20482-000	029-20482-000	029-20482-000	
2	20	COIL, CONDENSING	373-19812-801	373-19812-801	373-19816-801	
2	21	SHELF, BLOWER	073-19812-222	073-19812-222	073-19816-222	
2	22	HEAT EXCHANGER ASS'Y	373-19812-611	373-19812-612	373-19816-611	
3	23	MANIFOLD, GAS	029-22253-030	029-22253-040	029-22253-040	
2	24	SHIELD, PAN	073-19812-570	073-19812-570	073-19816-570	
2	25	PAN, CONDENSATE	028-15151-000	028-15151-000	028-15152-000	
1	26	PANEL, LOWER ACCESS	<b>073-19863-032</b>	<b>073-19863-032</b>	<b>073-19863-033</b>	
1	27	PANEL, UPPER ACCESS	<b>073-19812-121</b>	<b>073-19812-121</b>	<b>073-19816-121</b>	
2,3	28	WRAPPER, BURNER BOX	073-19811-730	073-19811-740	073-19811-740	
1	29	CHANNEL, TOE PLATE	<b>073-19863-042</b>	<b>073-19863-042</b>	<b>073-19863-043</b>	
2,3	30	COVER, GAS CONTROL	373-22155-002	373-22155-003	373-22155-003	
1	31	PANEL, BOTTOM	073-19812-170	073-19812-170	073-19816-170	
1	32	PANEL, TOP	<b>073-19863-052</b>	<b>073-19863-052</b>	<b>073-19863-053</b>	
3	33	SUPPORT, BURNER	073-19811-330	073-19811-340	073-19811-340	
1	34	WRAPPER, CABINET	<b>373-19863-002</b>	<b>373-19863-002</b>	<b>373-19863-003</b>	
*	35	BRACKET, FILTER	373-18262-001	373-18262-001	373-18262-001	
3	36	PLATE, DIFFUSER	073-19811-023	073-19811-024	073-19811-024	
1,3	37	BRACKET, IGNITER	073-17403-000	073-17403-000	073-17403-000	
*	38	BRACKET, DOOR SWITCH	073-19811-380	073-19811-380	073-19811-380	
*	39	BRACKET, DOOR	<b>073-19863-062</b>	<b>073-19863-062</b>	<b>073-19863-063</b>	
3	40	BOTTOM PANEL, BURNER BOX	073-19811-130	073-19811-140	073-19811-140	

NOTE: \*Not Shown

New replacement parts shown in **bold** face type at the first printing of parts list dated 5/04.

Major components and suggested stocking items are shown with shaded item number.

"<" Across from row indicates a change in that row.

--- Not applicable to specified model.

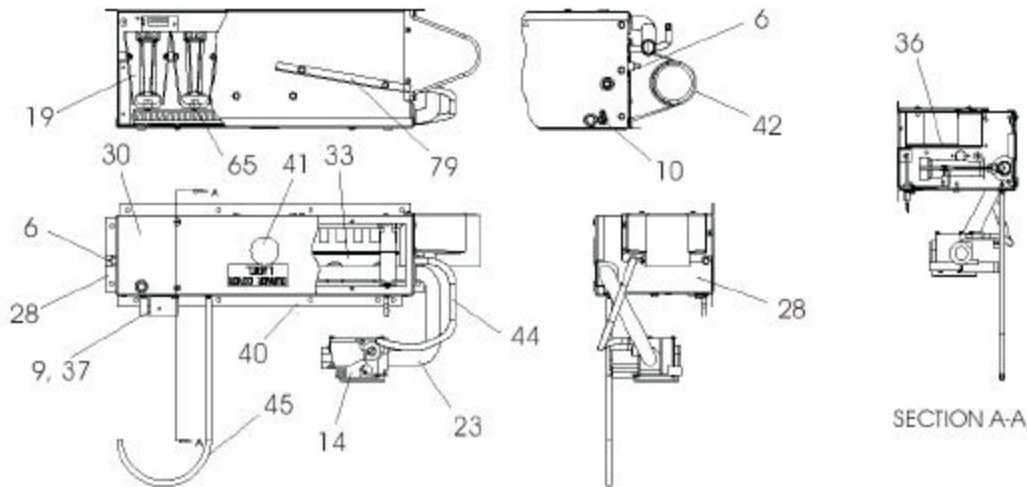


Figure 3: GAS CONTROLS (91%)

FIG	ITEM	DESCRIPTION	GY9S060B12DH11G	GY9S080B12DH11G	GY9S080C16DH11G
			(3 BURNER)	(4 BURNER)	(4 BURNER)
<b>MISCELLANEOUS</b>					
2,3	41	PLUG, WINDOW, CLEAR - 1.5"	025-37005-000	025-37005-000	025-37005-000
2,3	42	COMBUSTION AIR TRANSITION	028-15154-000	028-15154-000	028-15154-000
1	43	TUBING, SILICONE (Gray, .188 ID, 2.83 ft. Req'd)	028-12499-000	028-12499-000	028-12499-000
1,3	44	TUBING, SILICONE (Preformed)	028-15170-000	028-15170-000	028-15170-000
3	45	TUBING, SILICONE (Gray, .188 ID, 1.25 ft. Req'd)	028-12499-000	028-12499-000	028-12499-000
2	46	GASKET, COMBUSTION BLOWER	028-15177-000	028-15177-000	028-15177-000
2	47	GASKET, CONDENSATE PAN	028-14759-002	028-14759-002	028-14759-003
2	48	GASKET, UPPER CONDENSATE PAN (2 Req'd)	028-14773-000	028-14773-000	028-14774-000
2	49	GASKET, GAS CONTROLS	<b>028-14772-103</b>	<b>028-14772-104</b>	<b>028-14772-104</b>
2	50	GASKET, CONDENSING COIL	028-14760-002	028-14760-002	028-14760-003
2	51	GASKET, COMBUSTION AIR TRANSITION	028-15155-000	028-15155-000	028-15155-000
*	52	GASKET, MOUNTING BRKT (Burner Box)	028-13256-000	028-13256-000	028-13256-000
1	53	COMBUSTION AIR INTAKE ASSEMBLY	028-15167-000	028-15167-000	028-15167-000
1	54	VENT PIPE 2" X 15.25" LG.	028-15166-000	028-15166-000	028-15166-000
*	55	RUBBER SLEEVE 2.5" X 4" LG.	028-15162-000	028-15162-000	028-15162-000
2	56	GROMMET, MOTOR (3 Req'd)	028-14740-000	028-14740-000	028-14740-000
2	57	FERRULE (3 Req'd)	023-20541-000	023-20541-000	023-20541-000
2	58	COMBUSTION BLWR RESTRICTOR	028-15172-000	028-15173-000	028-15174-000
*	59	SPRING, DOOR	029-22119-000	029-22119-000	029-22119-000
2	60	WASHER, FLAT FIBERGLASS (2 Req'd)	028-14768-000	028-14768-000	028-14768-000
1	61	HANDLE, DOOR (3 Req'd)	028-14886-000	028-14886-000	028-14886-000
*	62	CLAMP, HOSE (2 Req'd)	021-18390-000	021-18390-000	021-18390-000
*	63	HARNESS, MAIN WIRING	373-19811-540	373-19811-540	373-19811-540
2	64	MOUNT, 1 PC. MOTOR	073-19831-001	073-19831-001	073-19831-001
3	65	ORIFICE, BURNER (Natural #45)	029-21182-045	029-21182-045	029-21182-045
1	66	TRAP, CONDENSATE	028-14762-000	028-14762-000	028-14762-000
*	67	WIRING DIAGRAM	035-19941-001	035-19941-001	035-19941-001
*	68	45 DEG STREET ELBOW 2"	028-15161-000	028-15161-000	028-15161-000
*	69	DRAIN TUBE, CONDENSATE TRAP	028-13309-004	028-13309-004	028-13309-004
1	70	DRAIN TUBE, COMBUSTION BLOWER	028-15168-000	028-15168-000	028-15168-000
1	71	DRAIN TUBE, CONDENSATE PAN	028-15156-000	028-15156-000	028-15156-000
*	72	DRAIN TUBE, STRAIGHT 21" LG.	028-15169-001	028-15169-001	028-15169-001
*	73	DRAIN TUBE, RAIN GUTTER	028-15171-000	028-15171-000	028-15171-000
1	74	DRAIN HOSE ASSEMBLY	028-15176-000	028-15176-000	028-15176-000
*	75	LOCKNUT, CONDUIT (1/2")	025-32683-000	025-32683-000	025-32683-000
*	76	ADAPTER, INSERT	025-31808-000	025-31808-000	025-31808-000
*	77	BUSHING, THREADED	025-31807-000	025-31807-000	025-31807-000
*	78	DRAIN TUBE, VENT PIPE	028-15158-000	028-15158-000	028-15158-000
3	79	BAFFLE, BURNER BOX	---	---	---
*	80	GROMMET, MANIFOLD	028-12465-000	028-12465-000	028-12465-000
*	81	VENT PIPE ASSEMBLY	028-15159-000	028-15159-000	028-15159-000
*	82	DRAIN TUBE, VENT PIPE	028-15158-000	028-15158-000	028-15158-000
*	83	LOGO/BEZEL PLATE ASSEMBLY	373-23701-003	373-23701-003	373-23701-003
*	84	FILTER (20 X 14 X .75)	026-23050-004	026-23050-004	026-23050-004

NOTE: \*Not Shown  
 New replacement parts shown in **bold** face type at the first printing of parts list dated 5/04.  
 Major components and suggested stocking items are shown with shaded item number.   
 "<" Across from row indicates a change in that row.  
 --- Not applicable to specified model.

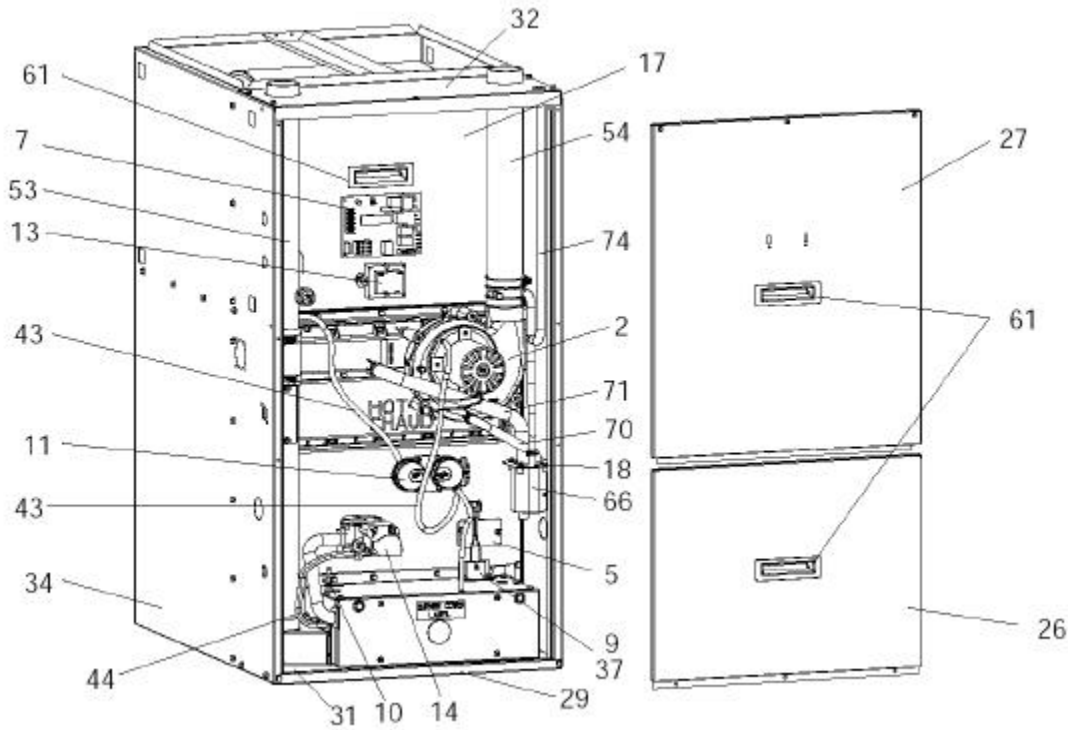


Figure 1: DOWNFLOW/HORIZONTAL NATURAL GAS FURNACES (91%)

FIG	ITEM	DESCRIPTION	GY9S100C16DH11G	GY9S100C20DH11G	GY9S120D20DH11G	<
			(5 BURNER)	(5 BURNER)	(6 BURNER)	
<b>MOTOR</b>						
2	1	MOTOR, DIRECT DRIVE BLOWER	024-32055-000	024-32056-000	024-32056-000	
1,2	2	MOTOR, INDUCER ASS'Y	024-34558-000	024-34558-000	024-34558-000	
<b>ELECTRICAL</b>						
2	3	CAPACITOR, RUN (10MFD/370V)	024-20046-000	---	---	
		CAPACITOR, RUN (15MFD/370V)	---	024-20446-000	024-20446-000	
2	4	SWITCH, LIMIT (INDUCER)	025-38737-000	025-38737-000	025-38737-000	
1,2	5	LIMIT, TEMPERATURE (Primary)	025-29041-011	025-29041-011	025-29041-012	
2,3	6	LIMIT, FLAME ROLL-OUT	025-27792-001	025-27792-001	025-27792-001	
1	7	CONTROL, FURNACE MODULE	031-01972-000	031-01972-000	031-01972-000	
*	8	FUSE	025-32746-026	025-32746-026	025-32746-026	
1,3	9	IGNITER	025-32625-000	025-32625-000	025-32625-000	
1,3	10	SENSOR, FLAME	025-37499-000	025-37499-000	025-37499-000	
1	11	SWITCH, PRESSURE	024-34562-000	024-34562-000	024-34562-000	
*	12	SWITCH, DOOR	024-27640-000	024-27640-000	024-27640-000	
1	13	TRANSFORMER	025-30889-000	025-30889-000	025-30889-000	
ALL	14	VALVE, GAS	025-37426-000	025-37426-000	025-37426-000	
<b>AIR MOVING</b>						
2	15	HOUSING, BLOWER	373-19820-751	373-19820-751	373-19820-751	
2	16	WHEEL, BLOWER	026-19654-014	026-38510-000	026-38510-000	

NOTE: \*Not Shown

New replacement parts shown in **bold** face type at the first printing of parts list code dated 5/04.

Major components and suggested stocking items are shown with shaded item number.

"<" Across from row indicates a change in that row.

--- Not applicable to specified model.

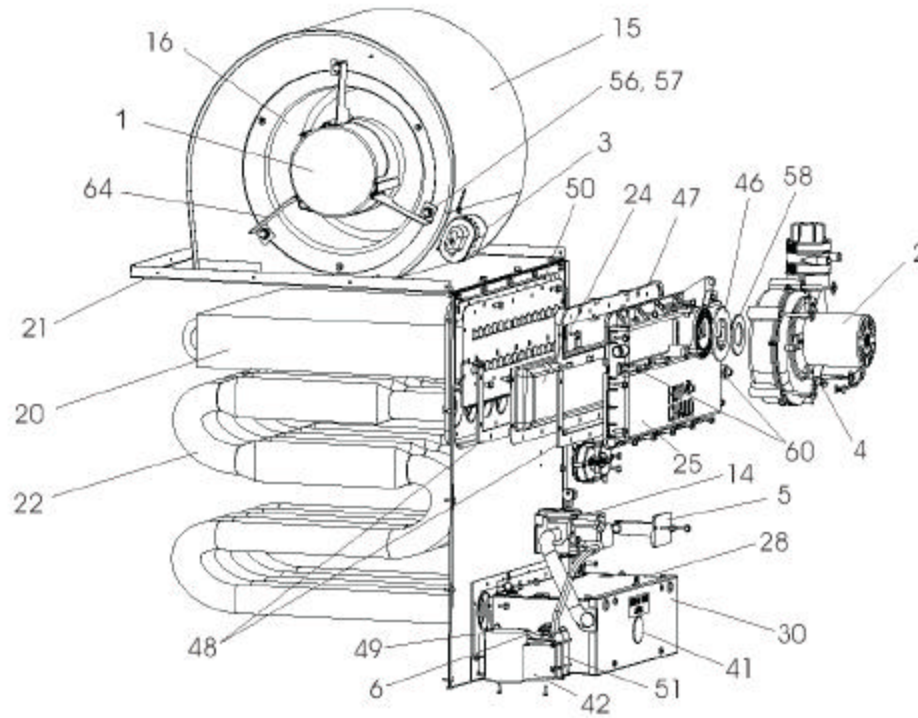


Figure 2: DOWNFLOW/HORIZONTAL NATURAL GAS FURNACES (91%)

FIG	ITEM	DESCRIPTION	GY9S100C16DH11G	GY9S100C20DH11G	GY9S120D20DH11G
			(5 BURNER)	(5 BURNER)	(6 BURNER)
<b>FABRICATED PARTS</b>					
1	17	PANEL, BLOWER COVER	073-19816-370	073-19816-370	073-19820-370
1	18	BRACKET, CONDENSATE TRAP	073-19811-001	073-19811-001	073-19811-001
3	19	BURNER, MAIN GAS	029-20482-000	029-20482-000	029-20482-000
2	20	COIL, CONDENSING	373-19816-801	373-19816-801	373-19820-801
2	21	SHELF, BLOWER	073-19816-242	073-19816-242	073-19820-222
2	22	HEAT EXCHANGER ASS'Y	373-19816-612	373-19816-612	373-19820-611
3	23	MANIFOLD, GAS	029-22253-050	029-22253-050	029-22253-060
2	24	SHIELD, PAN	073-19816-570	073-19816-570	073-19820-570
2	25	PAN, CONDENSATE	028-15152-000	028-15152-000	028-15153-000
1	26	PANEL, LOWER ACCESS	<b>073-19863-033</b>	<b>073-19863-033</b>	<b>073-19863-034</b>
1	27	PANEL, UPPER ACCESS	<b>073-19816-121</b>	<b>073-19816-121</b>	<b>073-19820-121</b>
2,3	28	WRAPPER, BURNER BOX	073-19811-750	073-19811-750	073-19811-760
1	29	CHANNEL, TOE PLATE	<b>073-19863-043</b>	<b>073-19863-043</b>	<b>073-19863-044</b>
2,3	30	COVER, GAS CONTROL	373-22155-004	373-22155-004	373-22155-005
1	31	PANEL, BOTTOM	073-19816-170	073-19816-170	073-19820-170
1	32	PANEL, TOP	<b>073-19863-053</b>	<b>073-19863-053</b>	<b>073-19863-054</b>
3	33	SUPPORT, BURNER	073-19811-350	073-19811-350	073-19811-360
1	34	WRAPPER, CABINET	<b>373-19863-003</b>	<b>373-19863-005</b>	<b>373-19863-004</b>
*	35	BRACKET, FILTER	373-18262-001	373-18262-001	373-18262-001
3	36	PLATE, DIFFUSER	073-19811-025	073-19811-025	073-19811-026
1,3	37	BRACKET, IGNITER	073-17403-000	073-17403-000	073-17403-000
*	38	BRACKET, DOOR SWITCH	073-19811-380	073-19811-380	073-19811-380
*	39	BRACKET, DOOR	<b>073-19863-063</b>	<b>073-19863-063</b>	<b>073-19863-064</b>
3	40	BOTTOM PANEL, BURNER BOX	073-19811-150	073-19811-150	073-19811-160

NOTE: \*Not Shown

New replacement parts shown in **bold** face type at the first printing of parts list dated 5/04.

Major components and suggested stocking items are shown with shaded item number.

"<" Across from row indicates a change in that row.

--- Not applicable to specified model.

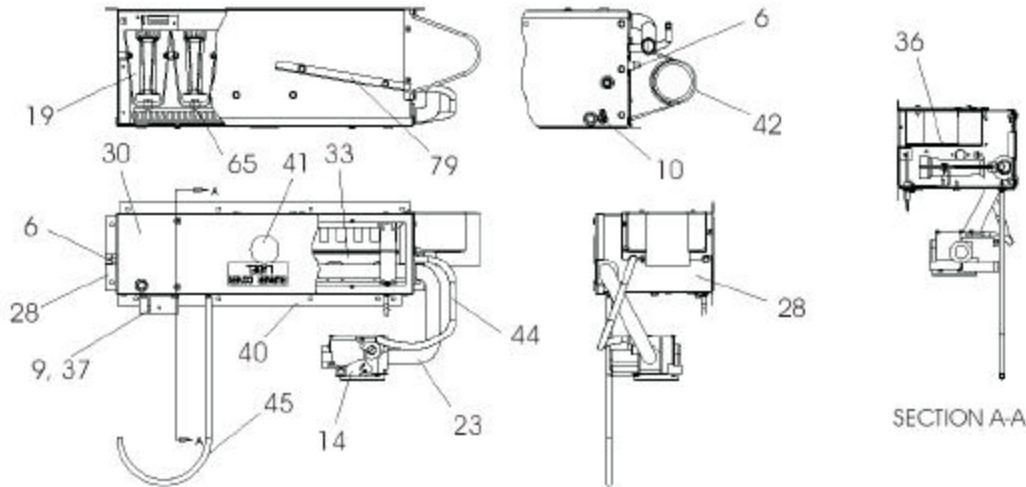


Figure 3: GAS CONTROLS (91%)

FIG	ITEM	DESCRIPTION	GF9S100C16DH11G	GF9S100C20DH11G	GF9S120D20DH11G
			(5 BURNER)	(5 BURNER)	(6 BURNER)
<b>MISCELLANEOUS</b>					
2,3	41	PLUG, WINDOW, CLEAR - 1.5"	025-37005-000	025-37005-000	025-37005-000
2,3	42	COMBUSTION AIR TRANSITION	028-15154-000	028-15154-000	028-15154-000
1	43	TUBING, SILICONE (Gray, .188 ID, 2.83 ft. Req'd)	028-12499-000	028-12499-000	028-12499-000
1,3	44	TUBING, SILICONE (Preformed)	028-15170-000	028-15170-000	028-15170-000
3	45	TUBING, SILICONE (Gray, .188 ID, 1.25 ft. Req'd)	028-12499-000	028-12499-000	028-12499-000
2	46	GASKET, COMBUSTION BLOWER	028-15177-000	028-15177-000	028-15177-000
2	47	GASKET, CONDENSATE PAN	028-14759-003	028-14759-003	028-14759-004
2	48	GASKET, UPPER CONDENSATE PAN (2 Req'd)	028-14774-000	028-14774-000	028-14775-000
2	49	GASKET, GAS CONTROLS	<b>028-14772-105</b>	<b>028-14772-105</b>	<b>028-14772-106</b>
2	50	GASKET, CONDENSER COIL	028-14760-003	028-14760-003	028-14760-004
2	51	GASKET, COMBUSTION AIR TRANSITION	028-15155-000	028-15155-000	028-15155-000
*	52	GASKET, MOUNTING BRKT (Burner Box)	028-13256-000	028-13256-000	028-13256-000
1	53	COMBUSTION AIR INTAKE ASSEMBLY	028-15167-000	028-15167-000	028-15167-000
1	54	VENT PIPE 2" X 15.25" LG.	028-15166-000	028-15166-000	028-15166-000
*	55	RUBBER SLEEVE 2.5" X 4" LG.	028-15162-000	028-15162-000	028-15162-000
2	56	GROMMET, MOTOR (3 Req'd)	028-14740-000	028-14740-000	028-14740-000
2	57	FERRULE (3 Req'd)	023-20541-000	023-20541-000	023-20541-000
2	58	COMBUSTION BLWR RESTRICTOR	028-15173-000	028-15173-000	028-15173-000
*	59	SPRING, DOOR	029-22119-000	029-22119-000	029-22119-000
2	60	WASHER, FLAT FIBERGLASS (2 Req'd)	028-14768-000	028-14768-000	028-14768-000
1	61	HANDLE, DOOR (3 Req'd)	028-14886-000	028-14886-000	028-14886-000
*	62	CLAMP, HOSE (2 Req'd)	021-18390-000	021-18390-000	021-18390-000
*	63	HARNESS, MAIN WIRING	373-19811-540	373-19811-540	373-19811-540
2	64	MOUNT, 1 PC. MOTOR	073-19831-001	073-19831-001	073-19831-001
3	65	ORIFICE, BURNER (Natural #45)	029-21182-045	029-21182-045	029-21182-045
1	66	TRAP, CONDENSATE	028-14762-000	028-14762-000	028-14762-000
*	67	WIRING DIAGRAM	035-19941-001	035-19941-001	035-19941-001
*	68	45 DEG. STREET ELBOW, 2"	028-15161-000	028-15161-000	028-15161-000
*	69	DRAIN TUBE, CONDENSATE TRAP	028-13309-004	028-13309-004	028-13309-004
1	70	DRAIN TUBE, COMBUSTION BLOWER	028-15168-000	028-15168-000	028-15168-000
1	71	DRAIN TUBE, CONDENSATE PAN	028-15156-000	028-15156-000	028-15156-000
*	72	DRAIN TUBE, STRAIGHT 21" LG.	028-15169-001	028-15169-001	028-15169-001
*	73	DRAIN TUBE, RAIN GUTTER	028-15171-000	028-15171-000	028-15171-000
1	74	DRAIN HOSE ASSEMBLY	028-15176-000	028-15176-000	028-15176-000
*	75	LOCKNUT, CONDUIT (1/2")	025-32683-000	025-32683-000	025-32683-000
*	76	ADAPTER, INSERT	025-31808-000	025-31808-000	025-31808-000
*	77	BUSHING, THREADED	025-31807-000	025-31807-000	025-31807-000
*	78	DRAIN TUBE, VENT PIPE	028-15158-000	028-15158-000	028-15158-000
3	79	BAFFLE, BURNER	---	---	073-19811-005
*	80	GROMMET, MANIFOLD	028-12465-000	028-12465-000	028-12465-000
*	81	VENT PIPE ASSEMBLY	028-15159-000	028-15159-000	028-15159-000
*	82	DRAIN TUBE, VENT PIPE	028-15158-000	028-15158-000	028-15158-000
*	83	LOGO/BEZEL PLATE ASSEMBLY	373-23701-003	373-23701-003	373-23701-003
*	84	FILTER (20 X 14 X .75)	026-23050-004	026-23050-004	026-23050-004

NOTE: \*Not Shown  
 New replacement parts shown in **bold** face type at the first printing of parts list dated 5/04.  
 Major components and suggested stocking items are shown with shaded item number.   
 "<" Across from row indicates a change in that row.  
 "--- Not applicable to specified model.

<b>FIELD INSTALLED ACCESSORIES - NON-ELECTRICAL</b>		
<b>MODEL NO.</b>	<b>DESCRIPTION</b>	<b>USED WITH</b>
1NP0347	PROPANE (LP) CONVERSION KIT	ALL MODELS
1CT0302	CONCENTRIC INTAKE/VENT 2"	60, 80, 100 INPUT MBH
1CT0303	CONCENTRIC INTAKE/VENT 3"	120 INPUT MBH
1PS0901	HIGH ALTITUDE PRESSURE SWITCH KIT (Does Not Include Orifices)	FOR APPLICATION INFORMATION SEE FORM 035-14447-000
1PS0902		
1PS0903		
1NK0301	CONDENSATE NEUTRALIZER KIT	ALL MODELS
1TK0917	TRANSITION KITS FOR COIL MOUNTING	17 1/2" CABINETS
1TK0921		21" CABINETS
1TK0924		24 1/2" CABINETS

<b>FIELD INSTALLED ACCESSORIES - ELECTRICAL</b>		
<b>MODEL NO.</b>	<b>DESCRIPTION</b>	<b>USED WITH</b>
2ET03700324	THERMOSTAT- Electronic Non-Programmable. One Heat/One Cool. Manual Changeover, Integral Sub-base. System Switch: Cool-Off-Heat, Fan Switch: Auto-On.	ALL MODELS
2ET03701024	THERMOSTAT- Electronic 7 Day Programmable. One Heat/One Cool. Auto Changeover, Integral Sub-base. System Switch: Cool-Off-Heat, Fan Switch: Auto-On. Power Stealing.	ALL MODELS
2ET03700024	(TS) THERMOSTAT- Electronic 7 Day Programmable. Two Heat/Two Cool. Auto Changeover, Integral Sub-base. System Switch: Cool-Off-Heat. Fan Switch: Auto-On.	ALL MODELS
2TH13701024	THERMOSTAT- Electronic 7 Day Programmable. Heating Only, One-stage Heat, No Fan Switch. Horizontal, Mercury Bulb	ALL MODELS

<b>FIELD SERVICE KITS</b>	
<b>DESCRIPTION</b>	<b>PART NO.</b>
Gas Pressure Test Kit without Tools	1PK0601
Gas Pressure Test Kit with Tools	1PK0602

**TO ORDER AUTHORIZED FACTORY REPLACEMENT PARTS** - Contact your Source1 HVAC Parts Distributor or visit our website at [www.Source1Parts.com](http://www.Source1Parts.com) for a Distributor and Dealer listing.

Subject to change without notice. Printed in U.S.A.  
Copyright © by York International Corp. 2004. All rights reserved.

035-20370-001 Rev. A (0504)  
Supersedes: Nothing

---

**Unitary  
Products  
Group**

**5005  
York  
Drive**

**Norman  
OK  
73069**