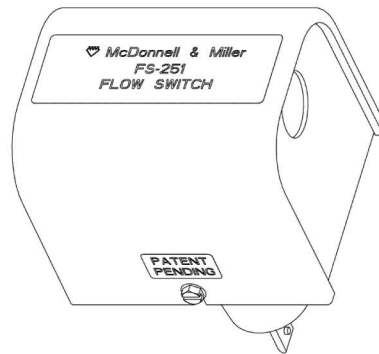


JOB:	REPRESENTATIVE:	
UNIT TAG:	ORDER NO.	DATE:
ENGINEER:	SUBMITTED BY:	DATE:
CONTRACTOR:	APPROVED BY:	DATE:

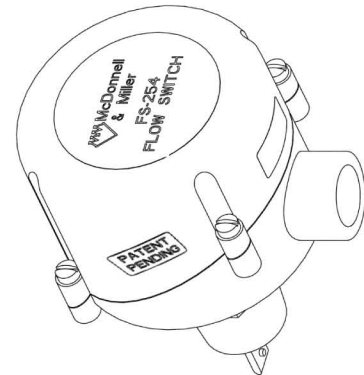
## Series FS250 General Purpose Liquid Flow Switches



**FS251**



**FS254**



Materials of Construction	
Part	Specifications
Wetted Body	Brass
Paddle arm	Brass
Pivot Pin	Brass
O-ring	EPDM
Paddles	Stainless Steel
Housing Base	
FS251	Aluminized Steel
FS254	Aluminum
Housing Cover	
FS251	Polycarbonate
FS254	Aluminum

Ratings	
FS251	NEMA-1
FS254	NEMA-4
Maximum Operating Pressure	160 psig (11.0 bar)
Maximum Temperature	250°F (121 °C)

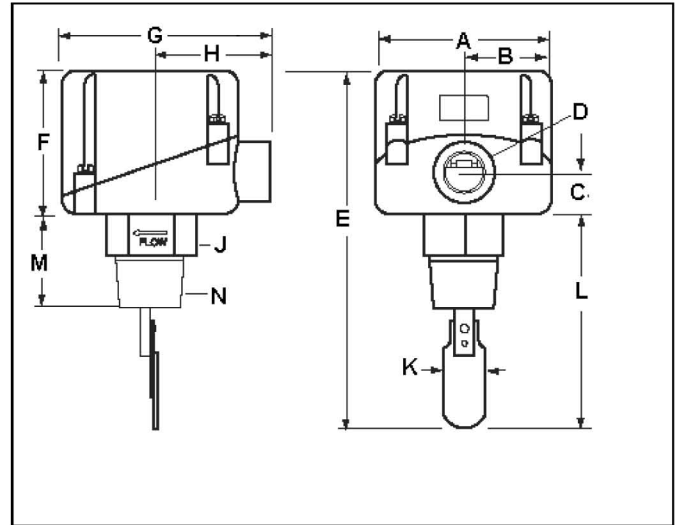
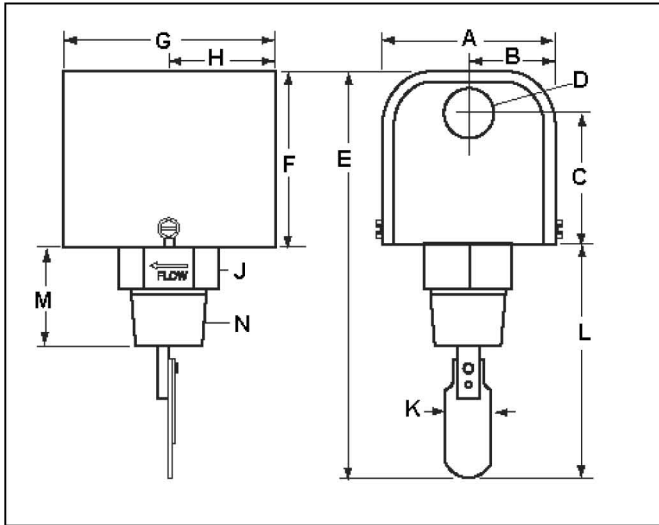
Voltage	Motor Switch Rating (Amperes)		Pilot Duty
	Full Load	Locked Rotor	
120VAC	7.4	44.4	125 VA at 120 or 240 VAC 50 or 60 cycles
240 VAC	3.7	22.2	

Pipe Size NPT (in.)	Flow Adjustment Setting	Series FS250		
		Flow gpm (lpm)	No Flow gpm (lpm)	Max Flow Rate (gpm) (lpm)†
1"	Minimum	5.8 (22)	5.1 (19)	27
	Maximum	12.6 (48)	11.9 (45)	(102)
1-1/4"	Minimum	6.7 (25)	6.0 (23)	47
	Maximum	19.1 (72)	18.0 (68)	(178)
1-1/2"	Minimum	8.4 (32)	7.0 (26)	63
	Maximum	25.3 (96)	24.1 (91)	(238)
2"	Minimum	12.9 (49)	11.2 (42)	105
	Maximum	31.5 (119)	30.2 (114)	(397)
2-1/2"	Minimum	17.9 (68)	14.5 (55)	149
	Maximum	43.2 (164)	40.0 (151)	(564)
3"	Minimum	26.2 (99)	20.2 (76)	230
	Maximum	54.9 (208)	49.8 (188)	(871)
4"	Minimum	42.0 (159)	33.7 (128)	397
	Maximum	75.6 (286)	68.0 (257)	(1503)
5"	Minimum	54.6 (207)	46.7 (177)	654
	Maximum	109.4 (414)	98.4 (372)	(2475)
6"	Minimum	67.7 (256)	60.2 (228)	900
	Maximum	131.1 (496)	123.5 (467)	(3407)

† Without Paddle Damage

FS251

FS254



Dimensions		
Reference	FS251	FS254
A	3 (76)	3-1/4 (83)
B	1-1/2 (38)	1-5/8 (41)
C	2-7/32 (56)	3/4 (19)
D	7/8 (22)	1/2 NPTF
E	6-3/8 (162)	6-3/16 (157)
F	2-15/16 (75)	2-3/4 (70)
G	3-3/8 (86)	3-7/8 (98)
H	1-11/16 (43)	2-1/4 (57)
J	1-1/2 (38)	1-1/2 (38)
K	1-1/8 (29)	1-1/8 (29)
L (with 1" paddle)	3-7/16 (87)	3-7/16 (87)
M	2-1/16 (52)	1-7/8 (48)
N	1" NPTM	1" NPTM
P Turn-in Radius (not shown)	2-5/16 (59)	2-5/16 (59)



Xylem Inc.  
 8200 N. Austin Avenue  
 Morton Grove, Illinois 60053  
 Phone: (847) 966-3700  
 Fax: (847) 965-8379  
 www.mcdonnellmiller.com