

Combination Mechanical Water Feeder/ Low Water Cut-Offs


Series 47/47-2

Mechanical Water Feeder/Low Water Cut-Offs

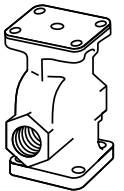
Components (shown on page 47)

Item Number	Part Number	Model Number	Description	Weight lbs. (kg)
1	310453	CTRD-101	Cartridge and strainer kit	.35 (.16)
2*	341600	SA47-101-102	Valve, cartridge & strainer assembly kit	3.0 (1.4)
3	324435	37-101	Tetraseal o-ring	0.1 (.05)
4	347100	SA101-38	Strainer for hex port valves (includes item 3 and bolts)	0.2 (.09)
5	341500	SA47-4	Bellows and bracket assembly (includes item 15)	1.5 (0.7)
6	312800	37-27	Gasket	0.1 (.05)
7	302900	CO-106	Cam assembly	0.1 (.05)
8	110000	2	Switch	1.0 (0.5)
9	110100	2-M	Switch with manual reset	1.0 (0.5)
10	332800	MA-259	Quick hook-up fittings (includes item 11, 12, 13)	4.5 (2.0)
11	349400	SA159-17	Black "Y" assembly	2.3 (1.0)
12	351800	SA259-24	Upper quick hook-up fittings	1.7 (.77)
13	349500	SA159-24	Lower quick hook-up fittings	1.7 (.77)
14	340600	SA37-30	Float assembly	2.0 (0.9)
15	312700	37-26	Gasket	0.1 (.05)
16	310447	14-B	Blow-down valve (includes item 17)	1.5 (0.7)
17	313200	37-39	Blow-down valve gasket	1.0 (0.5)





Round Port
Pilot Action Style
Before August 1995



Hex Port
Cartridge Style
After August 1995

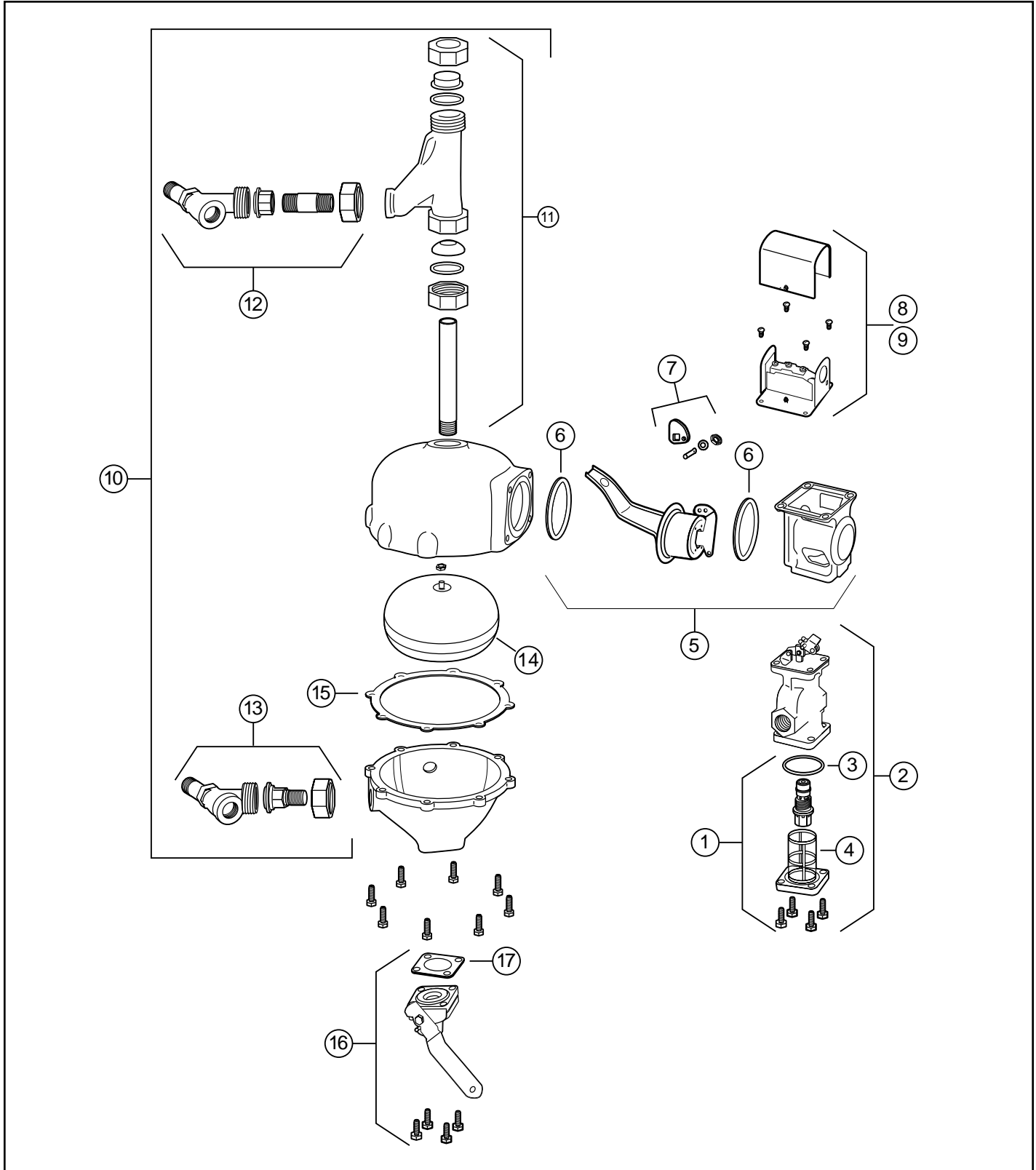
* Units manufactured prior to August 1995 have a round port pilot valve and a strainer assembly. These valve and strainer assemblies can be replaced with the current hex port cartridge valve and strainer assembly.

Combination Mechanical Water Feeder/ Low Water Cut-Offs

Series 47/47-2 (continued)

Mechanical Water Feeder/Low Water Cut-Offs

Components



BOILER CONTROLS