



SERVICE PARTS CATALOG  
Issued August, 2016

Value \$**15**  
of

For a table of contents, please click on either  
Current Parts or Discontinued Parts

# CURRENT PARTS

Pages 4 - 195

# DISCONTINUED PARTS

Pages 196 - 339

For trade price schedule, wiring diagrams, boiler manuals or appropriate control supplement, please go to [Weil-McLain.com](http://Weil-McLain.com)



# CURRENT PARTS

## Table Of Contents

### Gas Boilers

Evergreen .....	4
WM97+CT .....	16
ECO.....	30
Ultra Series 3, 3UE, 3CT.....	42
GV 90+ Series 1-2 .....	54
CGt Series 1-2.....	66
CGi Series 2-3.....	72
CGa Series 1-2.....	84
EG Series 1-5 .....	98
EGH Series 1-5.....	107
Ultra Commercial/Slimfit - 550/750.....	116
SlimFit - 1000/1500/2000.....	124
LGB.....	134

### Oil Boilers

Ultra Oil Series 1-3.....	160
WGO and WTGO Series 1-3.....	166
SGO Series 1-3.....	172
GOLD Oil Jackets .....	176

### Gas/Oil Boilers

80.....	178
88.....	182
94.....	186

### Additional Products

Aqua Plus.....	192
AquaLogic.....	194

For trade prices, see current service parts TPS (Trade Price Schedule)

For wiring diagrams, see boiler manual or appropriate control supplement.  
 Future updates to the 2016 Parts Catalog are available at [www.weil-mclain.com](http://www.weil-mclain.com)

# DISCONTINUED PARTS

## Table Of Contents

### Gas Boilers

GV Series 1-2 .....	196
GV Series 3-4 .....	204
CG/CGm Series 1-12.....	212
CGs Series 1.....	226
CGx Series 1-2 .....	234
CGi Series 1 .....	238
Ultra Series 1-2 .....	246
HE, HEII & VHE.....	256
EG Series 1-4 .....	266
EGH Series 1-4.....	276
AHE Series 1-4.....	286
LGB Series 1 .....	296
PFG Series 1-7.....	312

### Oil Boilers

68.....	320
76.....	325

### Gas/Oil Boilers

78.....	328
---------	-----

### Electric Boilers

CE, CER, PER.....	332
-------------------	-----

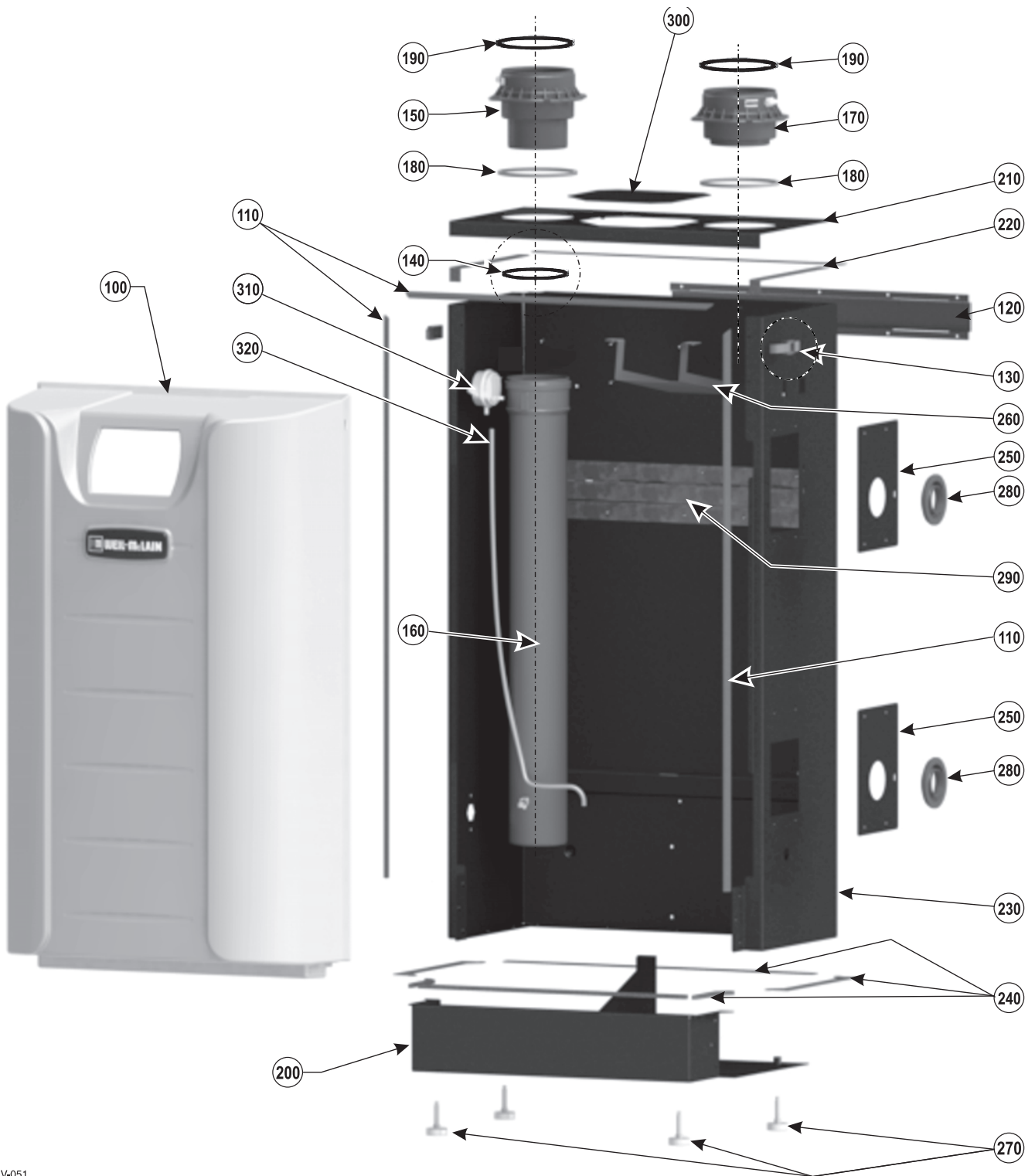
### Additional Products

Gold Plus and Ultra Plus.....	337
Plus Commercial.....	338
EMCS/BCP Boiler Controls.....	339

### Miscellaneous Information

Manufacturing Dates - Gas Boilers.....	340
Manufacturing Dates - Round Boilers .....	342
Manufacturing Dates - Oil Boilers.....	344
Old Part Number Conversion Chart.....	346
Burner Manufacturer Contact Information.....	356

# Evergreen Jacket Assembly - 220/299/300/399



GAS

EV-051

**Evergreen**  
**Jacket Assembly Parts - 220/299/300/399**

Item	Part Number	Description/Contents	Model
100	383-900-073	Front Door - (Includes WM Logo and Gaskets)	All
110	383-900-070	Front Door Gasket Kit - (Includes Right, Left, and Top Gaskets)	All
120	383-900-086	Wall Mount Bracket - Jacket Side - (Includes Screws)	All
130	383-700-122	Door Latch - (Includes Rivets) (2) Required	All
140	383-900-028	Gasket Kit - (Includes Flue Pipe Gaskets And Condensate Dish Gasket)	All
150	383-900-014	Flue Pipe Adapter - (Includes Top Flue Adapter and Internal Gasket)	All
160	383-900-015	Boiler Flue Pipe - (Includes Internal Flue Pipe and Gasket)	All
170	383-900-013	Air Inlet Adapter - (Includes Top Air Inlet Adapter and Gasket)	All
180	383-900-058	Gasket - Pipe Adapter To Cabinet	All
190	590-318-106	Gasket - Pipe Adapter To System Pipe - (Gasket Fits Inner Diameter Of Adapter)	All
200	383-900-042	Jacket Panel Bottom - (Includes Bottom Gasket, Leveling Legs, and Screws)	All
210	383-900-043	Jacket Panel Top - (Includes Top gasket and Screws)	All
220	383-900-052	Gasket Kit - (Jacket Panel Top) (Seals Top Panel Cabinet)	All
230	383-900-044	Jacket Panel Back - (Includes Brackets, Gaskets, Door Latches, and Screws)	All
240	383-900-051	Gasket Kit - (Jacket Panel Bottom) (Seals Bottom Panel Cabinet)	All
250	383-900-085	Bracket Piping - (Includes Screws) ( 2 Required)	All
260	383-900-084	Air Baffle - (Includes Screws)	All
270	383-500-065	Boiler Leg Kit - (4 Required)	All
280	562-248-762	Grommet Sealing - (Sealing Water Pipes To Cabinet) (2 Required)	All
290	383-900-087	Bracket Mounting Heat Exchanger - (Includes Screws)	All
300	383-900-041	Panel - Burner Access - (Includes Hardware)	All
310	383-900-080	Pressure Switch - Set Point 3.25 W.C.	All
320	590-300-056	Tube - Pressure Switch	All

GAS

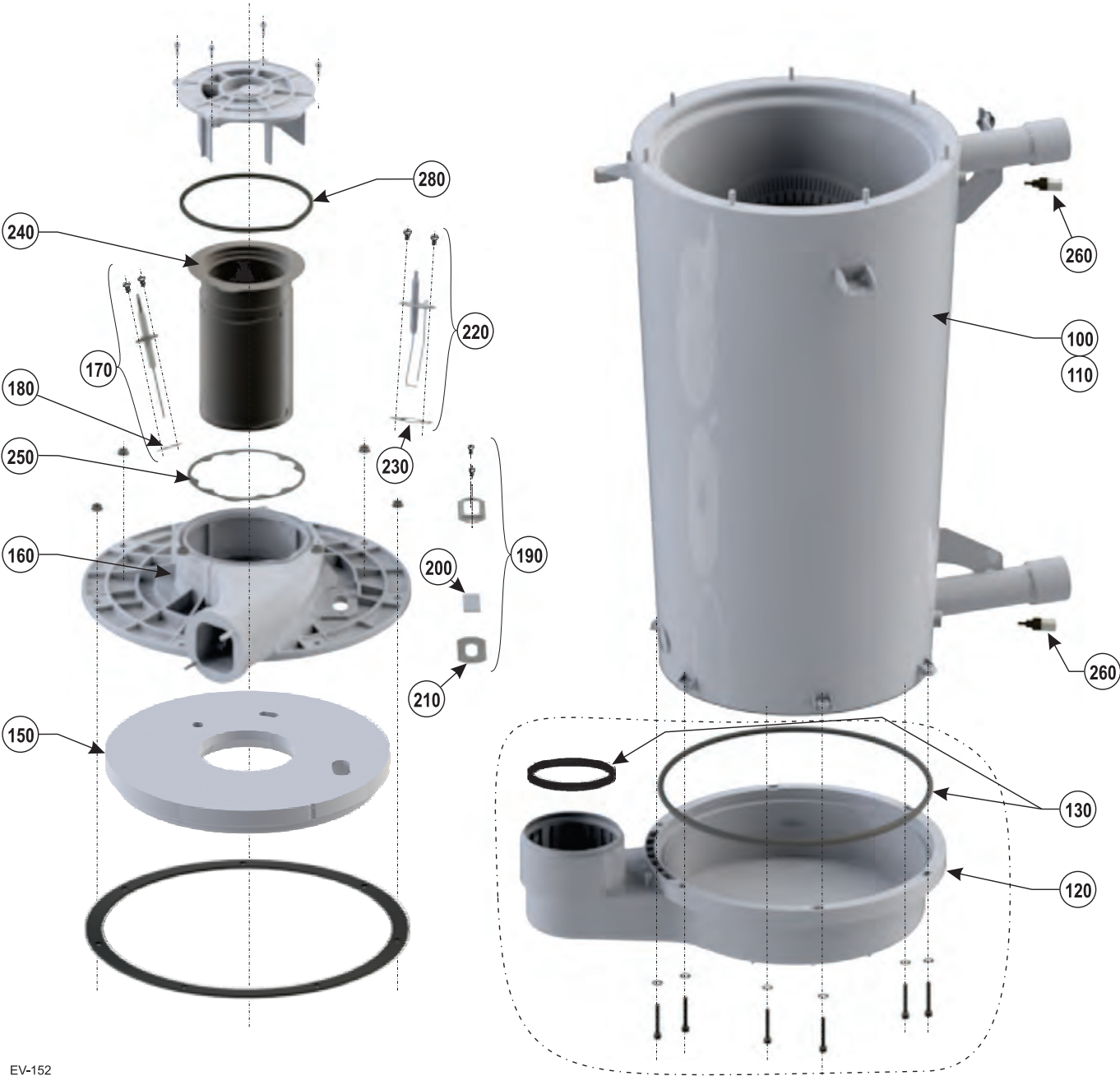


## Evergreen Heat Exchanger Parts - 220

Item	Part Number	Description/Contents	Model
100	383-900-025	Heat Exchanger, Gaskets and Hardware - (Includes Items 130 and 150)	220
110	383-900-069	Heat Exchanger, Condensate Dish, Cover Plate, Burner, Igniter, Sight Glass, Refractory, Water Sensors, Gaskets, Silicone, and Hardware - (Includes Items 120 Through 280)	220
120	383-900-012	Condensate Dish, Gaskets ,Hardware - (Includes Item 130)	220
130	383-900-028	Gasket To Seal Heat Exchanger To Condensate Dish - (Includes Flue Pipe Gaskets)	220
150	383-900-032	Refractory Insulation & Silicone Sealant, Igniter Gasket, Flame Rod Gasket, and Burner Gasket	220
160	383-900-016	Heat Exchanger Cover Plate, Refractory, Silicone, Gaskets, and Hardware (Includes Items 150, 190, and 270)	220
170	383-900-094	Flame Sense Rod Kit - (Includes Flame Sense Rod, Gasket, and Screws)	220
180	590-300-057	Flame Sense Gasket	220
190	383-900-099	Sight Glass Kit - (Includes Bracket, Glass, Gaskets, and Hardware)	220
200	591-419-202	Sight Glass	220
210	590-300-024	Sight Glass Gasket	220
220	383-900-033	Igniter Kit - (Includes Igniter, Gasket, and Screws)	220
230	590-300-034	Igniter To Cover Plate Gasket	220
240	383-900-022	Burner Kit - (Includes Item 280, Burner, Gaskets, and Screws)	220
250	383-900-060	Burner Gasket	220
260	511-724-296	Heat Exchanger Water Temperature Sensor - (2 Required) One Sensor For Either Boiler Inlet Or Outlet Water Temperature)	220
280	383-900-010	Burner Access Cover Gasket, Burner Gasket, and Hardware	220



# Evergreen Heat Exchanger - 299/300/399



EV-152

## Evergreen Heat Exchanger Parts - 299/300/399

Fig. No.	Part Number	Description	Model	
			299/300/399	
100	383-900-024	Heat Exchanger, Gaskets, and Hardware - (Includes Items 130, and 150)	•	
	383-900-023			•
110	383-900-068	Heat Exchanger, Condensate Dish, Cover Plate, Burner, Igniter, Sight Glass, Refractory, Water Sensors, Gaskets, Silicone, and Hardware - (Includes Items 120 Through 280)	•	
	383-900-067			•
120	383-900-011	Condensate Dish, Gaskets, and Hardware - (Includes Item 130)	•	•
130	383-900-030	Gasket To Seal Heat Exchanger To Condensate Dish - (Includes Flue Pipe Gaskets)	•	•
150	383-900-031	Refractory Insulation & Silicone Sealant, Igniter Gasket, Flame Rod Gasket, and Burner Gasket	•	
	383-900-096			•
160	383-900-017	Heat Exchanger Cover Plate, Refractory, Silicone, Gaskets, and Hardware - (Includes Items 150, 190, and 270)	•	
	383-900-095			•
170	383-900-094	Flame Sense Rod Kit - (Includes Flame Sense Rod, Gasket, and Screws)	•	•
180	590-300-057	Flame Sense Gasket	•	•
190	383-900-099	Sight Glass Kit - (Includes Bracket, Glass, Gaskets, and Hardware)	•	•
200	591-419-202	Sight Glass	•	•
210	590-300-024	Sight Glass Gasket	•	•
220	383-900-033	Igniter Kit - (Includes Igniter, Gasket, and Screws)	•	•
230	590-300-034	Igniter To Cover Plate Gasket	•	•
240	383-900-021	Burner Kit - (Includes Item 280, Burner, Gaskets, and Screws)	•	
	383-900-020			•
250	383-900-060	Burner Gasket	•	•
260	511-724-296	Heat Exchanger Water Temperature Sensor - (2 Required) One Sensor For Either Boiler Inlet Or Outlet Water Temperature)	•	•
280	383-900-010	Burner Access Cover Gasket, Burner Gasket, and Hardware	•	•

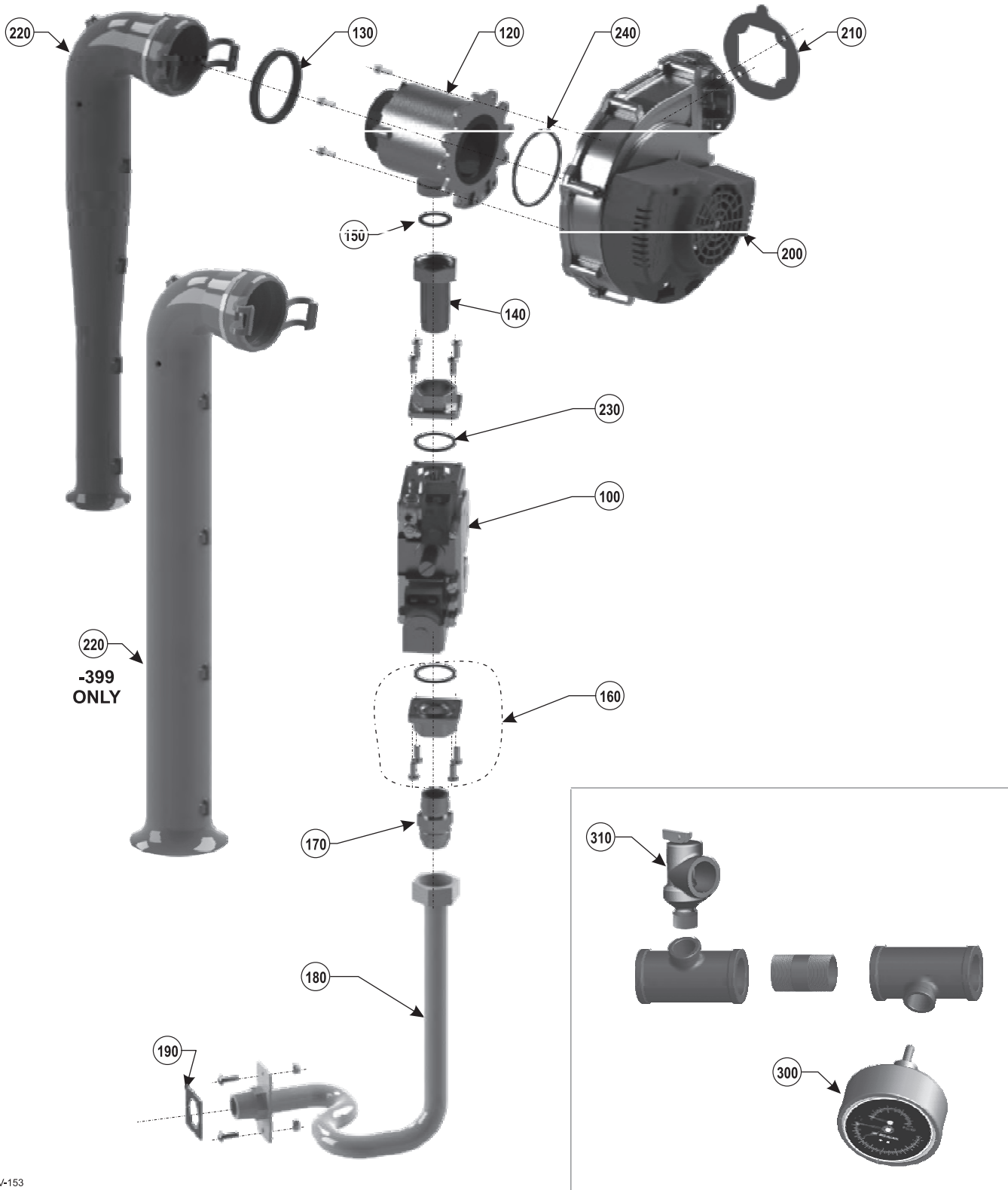


Evergreen  
Controls / Electrical Parts - 220/299/300/399

Item	Part Number	Description/Contents	Model
90	590-318-011	Flue Temperature Sensor Grommet	All
100	383-500-600	Flue Temperature Sensor and Grommet	All
110	510-312-218	Outdoor Temperature Sensor	All
120	383-500-601	System Temperature Sensor - ( 2 Required)	All
130	511-100-005	Low Water Cutoff	All
140	511-802-011	Transformer - 120/24 Volt, 50-60 Htz	All
150	381-330-020	Ignition Control Module	All
160	511-624-645	On/Off Power Switch - Rated At 20 Amps	All
170	383-900-089	Comm Circuit Board	All
180	383-900-078	Display Board Assembly	All
190	383-900-079	Control Tray - (Includes Gaskets and Hardware)	All
200	383-900-029	Control Tray Cover - (Includes Gaskets and Hardware)	All
210	383-900-050	Control Tray Cover Gasket	All
220	383-900-046	Control Tray Gasket Kit - (Includes Items 210, and 230)	All
230	383-900-047	Control Tray Display Gasket	All
240	591-491-217	Inspection Window Plug	All
N/S	383-900-081	Fuse, F1, 3 Amp, 120vac, Fast Blow ATO - (5 Fuses) ( For Boiler Circulator)	All
	383-500-603	Fuse, F2, 3 Amp, 32vac, Fast Blow ATO - (5 Fuses) ( For Low Voltage Circuit)	All
	383-500-604	Fuse, F3, 12 Amp, 250vac, Fast Blow ATO - (5 Fuses) ( For Line Voltage Circuit)	All
	591-392-007	High Voltage Wire Harness	All
	591-392-008	Low Voltage Wire Harness	All
	591-392-009	Communication Ethernet Wire Harness	All
	591-392-010	Low Voltage Com. Board Wire Harness	All
	591-392-011	Blower Wire Harness	All
	383-500-633	Control/Display Comm. Wire Harness	All
	383-500-638	Wire Harness - With Receptacle and Safety Cap	All
	591-392-012	Ignition Cable	All
	383-900-083	Terminal Block Kit - (Includes 1 High Voltage Terminal Block, Low Voltage Terminal Blocks, and Screwdriver)	All
	383-900-098	Cover Ground Terminal Kit	All
370	590-318-107	Gasket - Display Support	All

GAS

# Evergreen Piping - 220/299/300/399



GAS

EV-153

**WM97+, WM97+CT  
Heat Exchanger Parts - 70/110**

Item	Part Number	Description / contents
100	319-100-000	Heat Exchanger - Only
N/S	383-700-175	Heat Exchanger With Condensate Dish Assembled - (Includes Condensate Dish, and Condensate Dish Gaskets, Temperature Sensors (2), and Hardware)
	383-700-101	Heat Exchanger Complete - (Includes Condensate Dish, Cover Plate, Burner, Igniter, Sight Glass, Refractory, Water Sensors, Gaskets, Silicone, and Hardware)
120	383-700-102	Condensate Dish, Gaskets, and Hardware
130	383-700-103	Gasket To Seal Heat Exchanger To Condensate Dish
140	383-700-104	Gasket To Seal Condensate Dish To Internal Flue Pipe
150	383-700-105	Refractory Insulation & Silicone Sealant
160	383-700-108	Heat Exchanger Cover Plate - (Includes Cover Plate, Refractory, Silicone, and Gaskets)
170	383-700-109	Gasket - Heat Exchanger To Cover Plate
180	383-700-185	Sight Glass Kit - (Includes Bracket, Glass, Gaskets, and Hardware)
190	591-419-202	Sight Glass
200	383-700-112	Sight Glass Gaskets - Upper and Lower
210	383-700-113	Igniter Kit - (Includes Igniter, Gasket and Screws)
220	590-300-034	Igniter To Cover Plate Gasket
N/S	590-318-008	Spark Suppressor For Igniter
240	383-700-106	Burner - (Includes Burner, Gasket, and Hardware)
250	383-700-107	Burner Gasket
260	511-724-296	Heat Exchanger Water Temperature Sensor - One Sensor (For Either Boiler Inlet or Outlet Water Sensor)

# WM97+, WM97+CT Heat Exchanger Assembly - 155



GAS

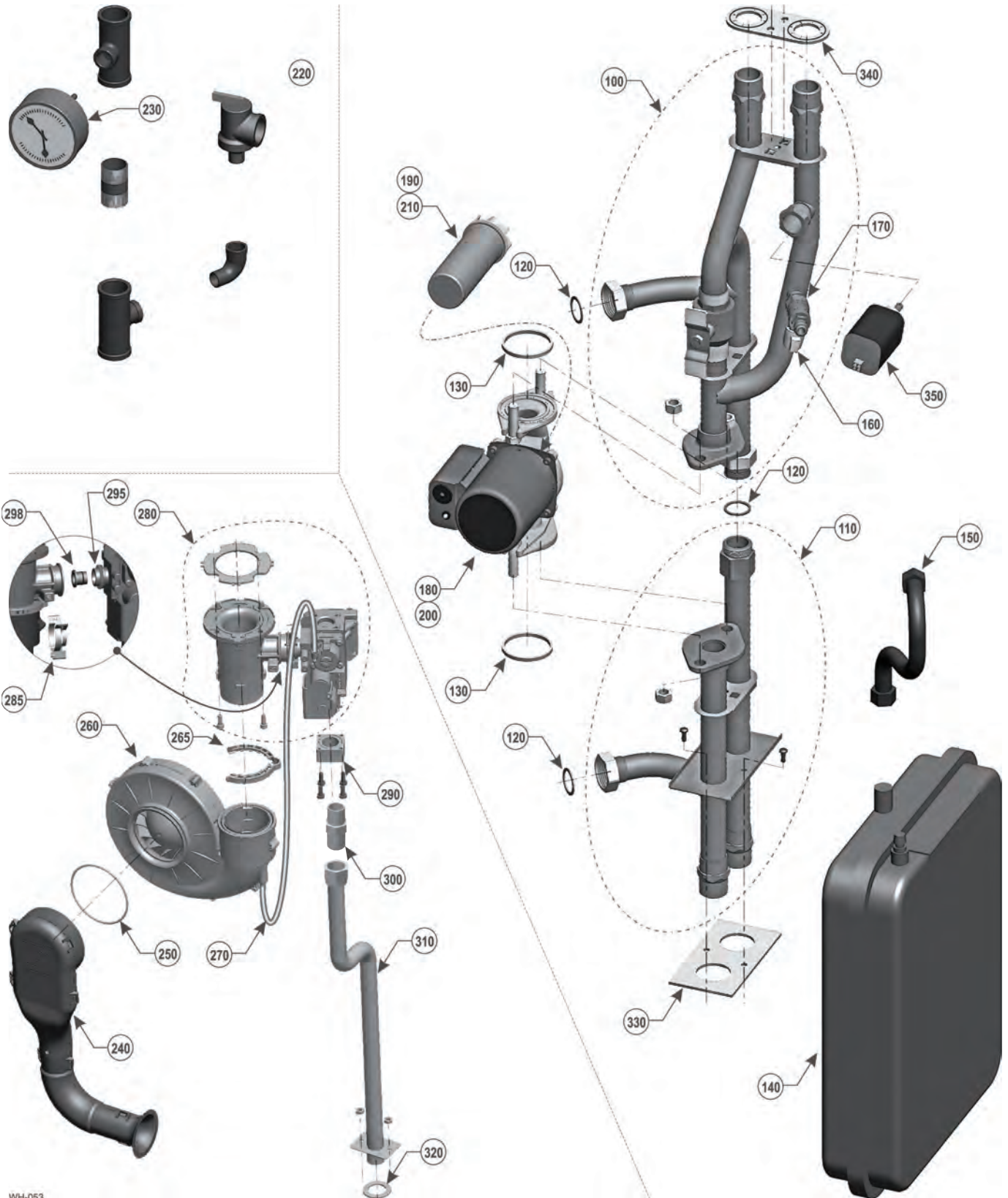
WH-152

## WM97+, WM97+CT Heat Exchanger Parts - 155

Item	Part Number	Description / contents
100	383-700-197	Heat Exchanger - Only
N/S	383-700-198	Heat Exchanger With Condensate Dish Assembled - (Includes Condensate Dish, and Condensate Dish Gaskets, Temperature Sensors (2), and Hardware)
110	383-700-180	Heat Exchanger Complete - (Includes Condensate Dish, Cover Plate, Burner, Igniter, Sight Glass, Refractory, Water Sensors, Gaskets, Silicone, and Hardware)
120	590-318-054	Gasket - Heat Exchanger To Cover Plate
130 140	511-724-296	Heat Exchanger Water Temperature Sensor - One Sensor (For Either Boiler Inlet or Outlet Water Sensor)
150	590-318-006	Blower Gasket
160	383-700-181	Condensate Dish, Gaskets, and Hardware
170	590-300-039	Gasket To Seal Heat Exchanger To Condensate Dish
180	383-700-104	Gasket To Seal Condensate Dish To Internal Flue Pipe
190	383-700-184	Heat Exchanger Cover Plate - (Includes Cover Plate, Refractory, Silicone, and Gaskets)
200	383-700-182	Refractory Insulation & Silicone Sealant
210	383-700-183	Burner - (Includes Burner, Gasket, and Hardware)
220	570-318-101	Burner Gasket
240	590-318-053	Burner Access Cover Gasket
250	383-700-187	Igniter Kit - (Includes Igniter, Gasket and Screws)
260	590-300-034	Igniter To Cover Plate Gasket
270	383-700-185	Sight Glass Kit - (Includes Bracket, Glass, Gaskets, and Hardware)
280	591-419-202	Sight Glass
290	383-700-112	Sight Glass Gaskets - Upper and Lower
N/S	590-318-008	Spark Suppressor For Igniter



# WM97+, WM97+CT Piping - 70/110



GAS

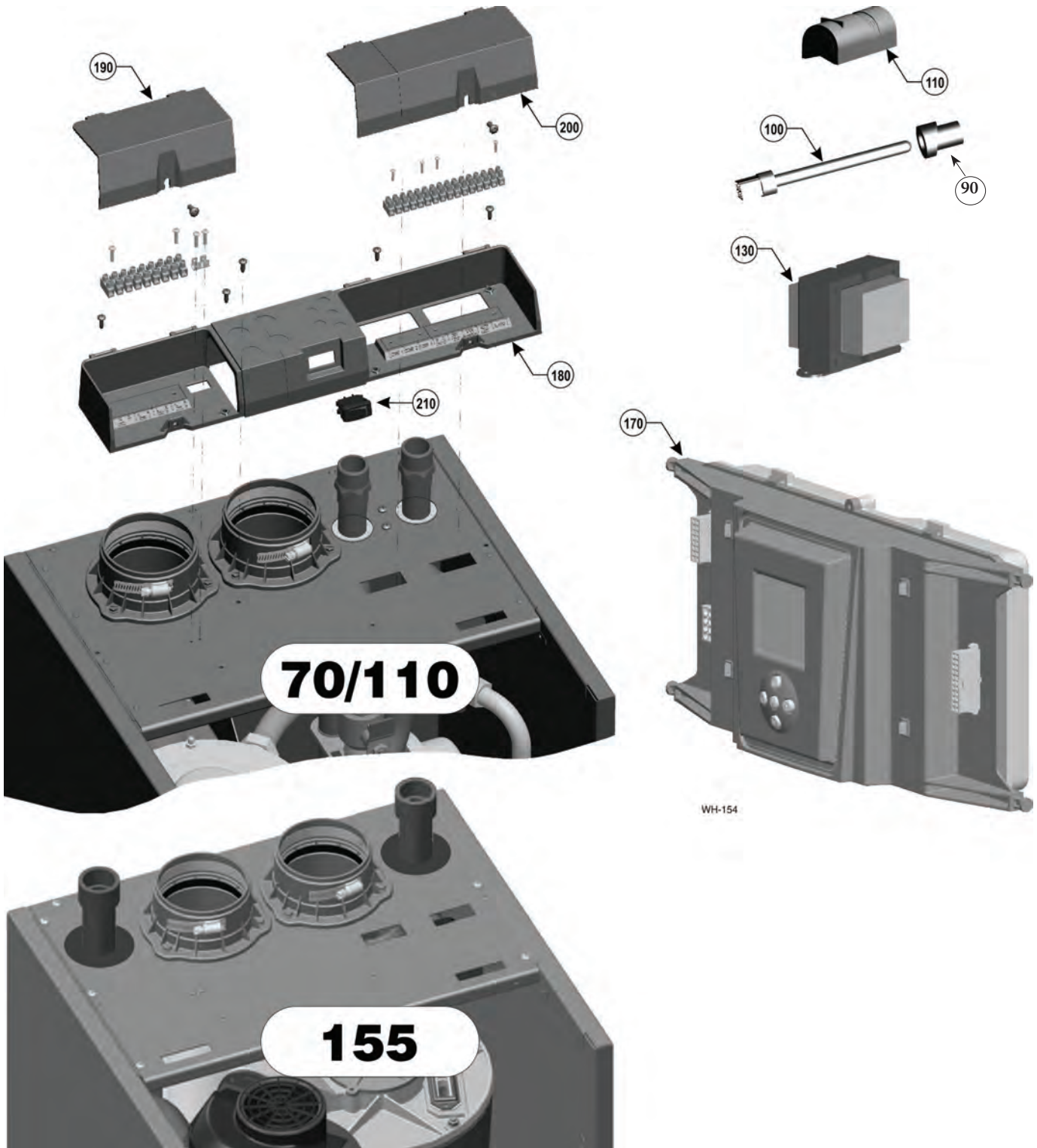
WH-053

**WM97+, WM97+CT  
Piping Parts - 155**

Item	Part Number	Description / contents
100	383-700-193	Boiler Supply Manifold With Hardware
105	590-300-036	Boiler Supply and Return Gaskets
110	383-700-192	Boiler Upper Return Manifold With Hardware
120	383-700-191	Boiler Lower Return Manifold With Hardware
130	562-248-740	Water Line Sealing Grommets
150	383-700-194	Boiler Circulator - Taco 0015 (With Rotated Flange)
160	511-405-143	Circulator Replacement Cartridge - For Taco 0015
170	590-317-543	Circulator Gasket
180	511-246-400	Internal Primary/Secondary By-Pass Valve
190	383-600-069	Low Water Cutoff
200	383-700-196	Gas Valve - (Includes Gas Valve, Venturi, Gasket, and Hardware)
220	540-202-839	Propane Orifice Kit - (Includes Orifice, Label, and Instructions)
230	563-910-031	Gas Valve Adapter Block with O-ring and Screws
240	383-700-163	Gas flex Line - (Includes Gas Line, Seal, and Hardware)
250	590-300-027	Gasket - Gas Flex Line To Cabinet
260	383-700-195	Blower
280	383-700-203	Sir Inlet Silencer With Gasket and Clip
300	383-300-000	Combination Pressure-Temperature Gauge, 3" Dia., 0-75 PSIG, 60-320°F, Short Shank, Back Connection, ¼" N.P.T.
310	383-500-095	Pressure Relief Valve, ASME 30 PSI, ¾" N.P.T .Male
320	562-302-571	Gas Flex Line Adapter - N.P.T To Flare Adapter

GAS

WM97+, WM97+CT  
Controls / Electrical Assemblies - 70/110/155



WM97+, WM97+CT  
Controls / Electrical Parts - 70/110/155

Item	Part Number	Description / contents	Model		
			70	110	155
90	590-318-011	Flue Temperature Sensor Grommet	•	•	•
100	383-500-600	Flue Temperature Sensor and Grommet	•	•	•
110	510-312-218	Outdoor Temperature Sensor	•	•	•
130	511-802-015	50 VA Transformer	•	•	•
N/S	591-391-969	High Voltage Harness, Left Side of Pod - 9 Pin Terminal Strip, Blower, Boiler Circulator, DHW Circulator	•	•	
	591-391-993				•
	591-391-968	Low Voltage Harness - Left Side of Pod - Supply/Return Sensors, Gas Valve, Flue Sensor, LWCO, Blower Control	•	•	
	591-391-992				•
	591-391-967	Low Voltage Harness - Right Side of Pod - 2 Terminal Strips, 10 Pin and 6 Pin, Transformer, DHW Sensor	•	•	•
	383-700-199	Ignition Cable	•	•	•
170	383-700-189	Ignition Control - Pod - (Includes User Display, Pump Control, Wire Harnesses, Plastic, Gasket, and Label)	•	•	•
180	595-000-033	Plastic Electrical Enclosures	•	•	•
190	383-700-173	Line Voltage Lid & Label - Left Side	•	•	•
200	383-700-174	Low Voltage Lid & Label - Right Side	•	•	•
210	511-624-646	On/Off Power Switch	•	•	•
N/S	383-500-603	F1-3 Amp, Fast Blow ATO Fuses (5 fuses)	•	•	•
	383-500-604	F2 - 12 Amp, Fast Blow AG Fuses (5 fuses)	•	•	•
	591-391-991	Wire Harness Ground, Ignitor To Jacket	•	•	•
	591-391-998	Wire Harness, CWH Boiler Sensor	•	•	•

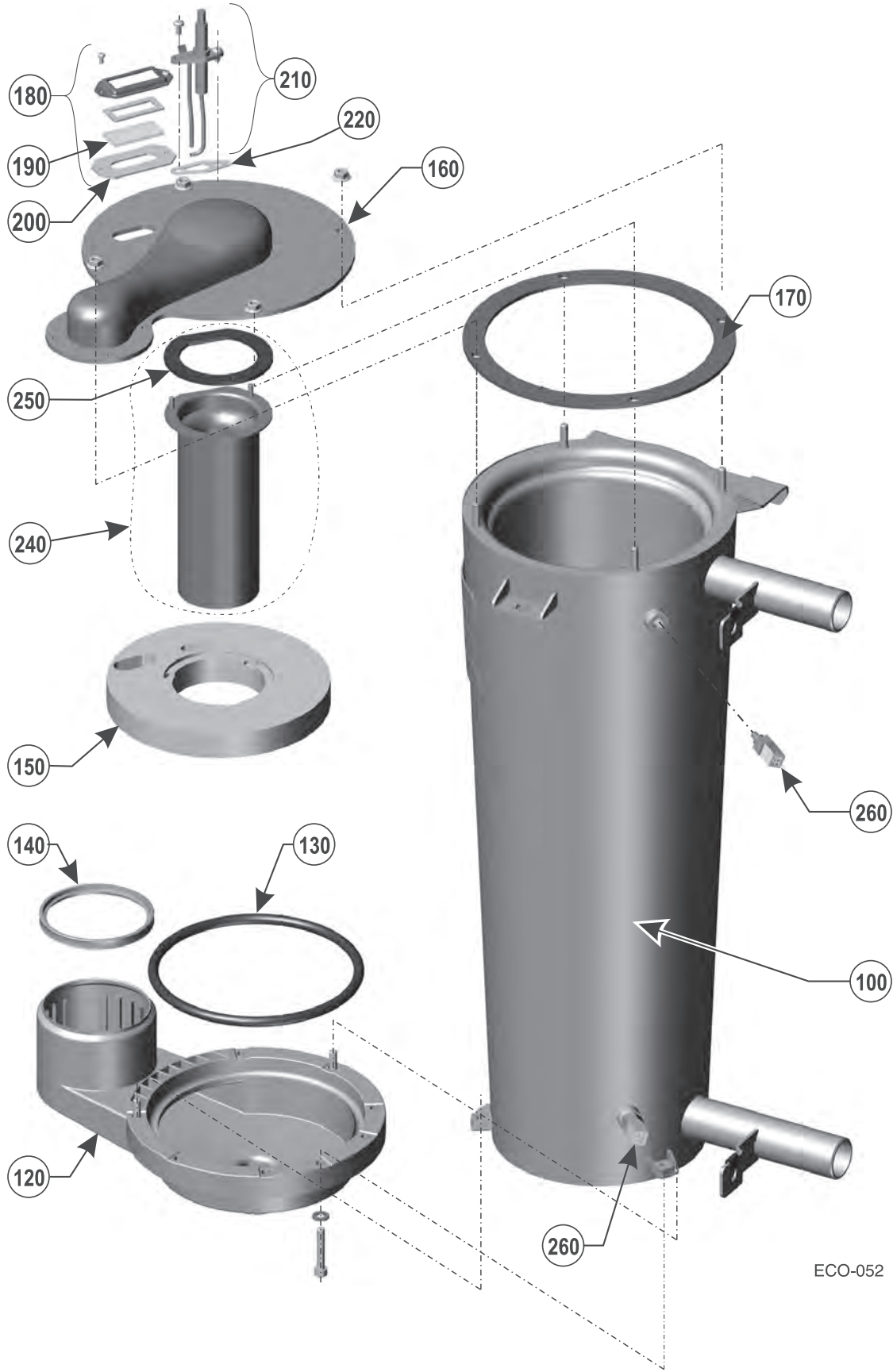
**WM97+, WM97+CT**  
**Miscellaneous Parts And Kits - 70/110/155**

Fig No.	Part No.	Description
<b>Chemicals</b>		
N/S	592-900-004	Antifreeze, Sentinel X500
	592-900-002	Corrosion Inhibitor, Sentinel X100
	592-900-005	Sentinel X100 Quick Test Kit
	592-900-003	Cleaner, Sentinel X400
<b>Boiler Accessories</b>		
N/S	383-700-165	WM97+70/110 Maintenance Kit - Includes Igniter, Gaskets-(Igniter, Venturi, and Cover Plate), Venturi-Gas Valve O-ring, Refractory, Silicone, Inhibitor Test Kit, and Clips
	383-700-200	WM97+155 Maintenance Kit - Includes Igniter, Gaskets-(Igniter, Venturi, and Cover Plate), Venturi-Gas Valve O-ring, Refractory, Silicone, Inhibitor Test Kit, and Clips
	383-700-118	Wall Mount Kit - (Supplied With Boiler) Includes Wall-Mount Bracket, and Hardware
	560-907-722	Condensate Trap Kit - (Supplied With Boiler) Includes Trap Assembly, and Flexible Line
<b>Condensate Handling Accessories</b>		
N/S	383-500-631	Condensate Neutralizer Kit
<b>Vent/Air Parts and Kits (PVC or Stainless Steel)</b>		
<b>Available From Weil-McLain</b>		
N/S	383-500-397	Weil-McLain Sidewall Vent/Air Cap Termination Kit for PVC Vent and Air Pipes - (Includes Sidewall Vent/Air Termination Cap, Inside and Outside Cover Plates and Mounting Hardware) Openings are for 3" PVC Pipe (Requires Field Installed 3" X 2" Adapter if Using 2" Vent/Air Pipes)
	382-200-430	Weil-McLain Sidewall Vent/Air Cap Termination Kit for AL29-4C Vent Pipe and PVC Air Pipe - (Includes Sidewall Vent/Air Termination Cap, Inside and Outside Cover Plates and Mounting Hardware) Openings are for 3" SS Vent Pipe and 3" PVC Air Pipe (Requires Field Installed 3" X 2" Adapter if Using 2" Vent/Air Pipes)
	383-700-171	Sidewall Separate Pipes Vent/Air termination Kit (Includes 2 Cover Plates) - For 2" PVC Vent and Air pipes
	383-500-100	Sidewall Separate Pipes Vent/Air termination Kit (Includes 2 Cover Plates) - For 3" PVC Vent and Air Pipes
	383-700-172	Sidewall Separate Pipes Vent/Air termination Kit (Includes 2 Cover Plates) - For 3" AL29-4C SS Vent Pipe and 3" PVC Pipe
	383-700-167	PVC Concentric Vent Kit - Horizontal or Vertical - Kit For 2" PVC Vent/Air Pipes
	383-500-350	PVC Concentric Vent Kit - Horizontal or Vertical - Kit For 3" PVC Vent/Air Pipes
	560-907-728	Bird Screen - 2" PVC - Vent/Air Pipes - Includes 1 Screen
	383-500-105	Bird screen - 3" PVC - Vent/Air Pipes - Includes 1 Screen
	383-700-235	Termination Restrictor Kit - (Includes Intake Washer, PVC Restrictor, and Instructions)

**ECO**  
**Jacket Parts - 70/110/155**

Fig No.	Part No.	Description
100	383-800-216	Jacket Door With Labels
110	383-800-217	Seals - Jacket Door To Cabinet
120	383-800-218	Wall - Mount Bracket (Wall Side) With Hardware
130	383-800-219	Wall - Mount Hardware (Boiler Side) - Includes Bolts, Washers & Spacers - 2 Required
140	383-800-220	Gaskets - Upper Panel To Cabinet
150	590-318-071	Gasket - Heat exchanger To Bottom Panel
160	562-150-290	Door Screw - #10-24 Truss Head (1 Each)
170	590-318-051	Gasket - Internal Flue Pipe To Adapter
180	560-907-719	Flue Pipe Adapter With Internal Gasket
190	560-907-720	Boiler Flue Pipe With gasket # 590-318-051
200	560-907-718	Air Inlet Adapter With Gasket
210	590-300-031	Gasket - Air/Vent Adapter To Cabinet - 2 Required
220	590-318-052	Gasket - Air/Vent Adapter To System Vent Pipe - 2 Required
230	383-800-221	Jacket Bottom Panel Kit - Includes Gaskets, Items 150 & 240, and Screws
240	383-800-222	Gaskets - Bottom Panel To Cabinet
250	383-800-223	Air Baffle With Screws
N/S	561-444-186	Hole Plug - 7/8" For Sealing Electrical Knockouts
270	562-248-740	Water Line Sealing Gaskets - Water Pipes To Cabinet
280	383-800-228	Control/Transformer Bracket
290	383-800-227	Display Board Bracket - To Mount Display To Side of Cabinet

# ECO Heat Exchanger Assembly - 70/110



ECO-052

GAS

## ECO Heat Exchanger Parts - 70/110

Fig No.	Part No.	Description
100	383-800-234	Heat Exchanger
N/S	383-800-236	Heat Exchanger Complete , Condensate Dish, Cover Plate, Burner, Igniter, Sight Glass, Refractory, Water Sensors, Gaskets, Silicone, and Hardware - (Includes Items 100, 120, 130, 140, 160, 180, 210, 240, and 260)
120	383-700-102	Condensate Dish - Includes Gaskets - (Items 130, and 140) and Hardware
130	383-700-103	Gasket To Seal Heat Exchanger To Condensate Dish
140	383-700-104	Gasket To Seal Condensate Dish To Internal Flue Pipe
150	383-700-105	Refractory Insulation & Silicone Sealant
160	383-700-108	Heat Exchanger Cover Plate, Refractory, Silicone, and Gaskets. (Includes Items 150, 170, 200, 220, and 250)
170	383-700-109	Cover Plate Gasket - Heat Exchanger To Cover Plate
180	383-700-185	Sight Glass Kit - Bracket, Glass, Gaskets, and Hardware - (Includes Items 190, and 200)
190	591-419-202	Sight Glass
200	383-700-112	Sight Glass Gaskets - Upper and Lower
210	383-700-113	Igniter Kit - (Includes Igniter, Gasket, and Hardware)
220	590-300-034	Igniter To Cover Plate Gasket
240	383-700-106	Burner, Gasket, and Hardware - (Includes Item 250)
250	383-700-107	Burner Gasket
260	511-724-296	Heat Exchanger Water Temperature Sensor. ( 1 Sensor for Either Boiler Inlet or Outlet Water Temperature)



# ECO Heat Exchanger Assembly - 155



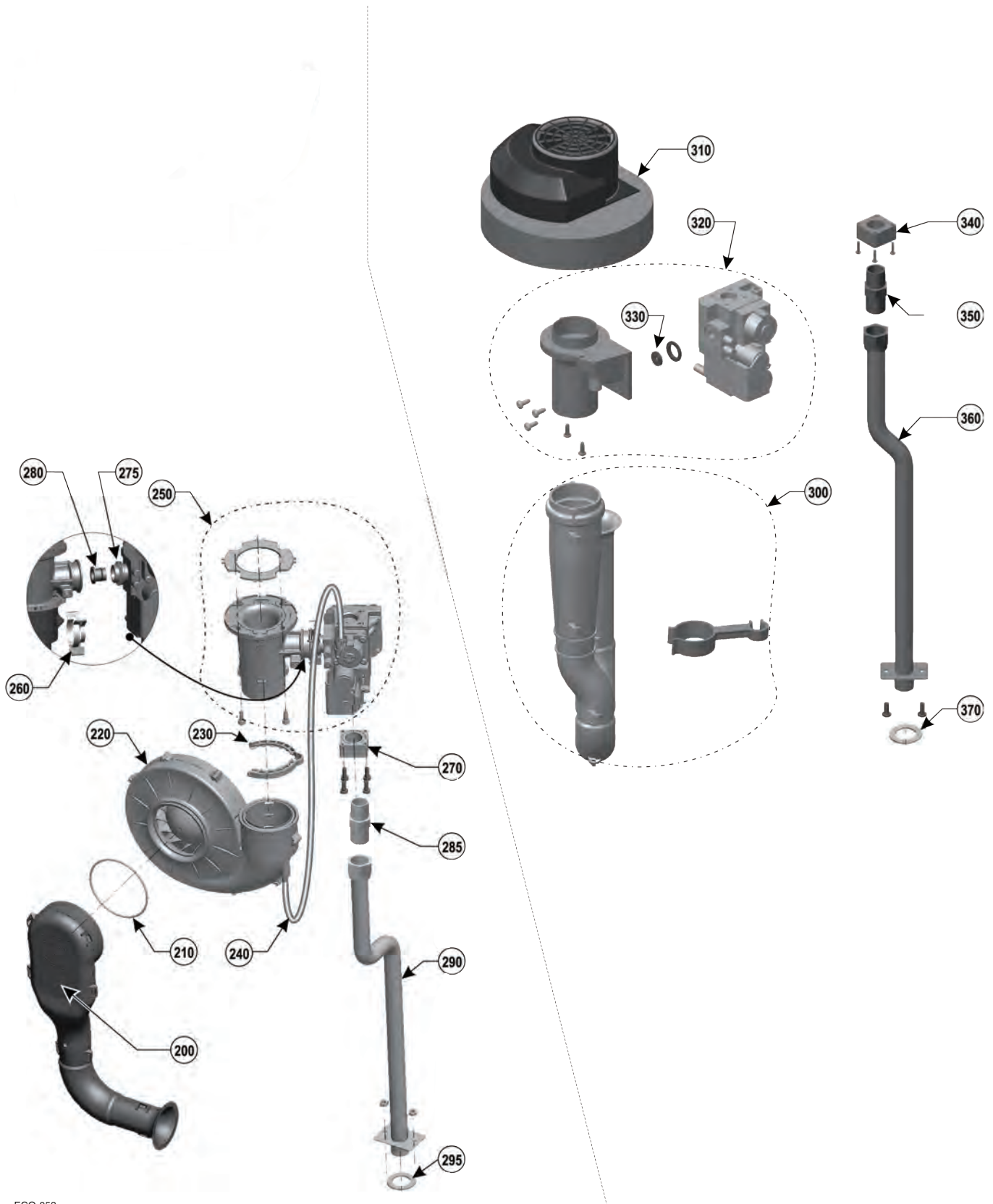
ECO-152

## ECO Heat Exchanger Parts - 155

Fig No.	Part No.	Description
100	383-800-231	Heat Exchanger
110	383-800-233	Heat Exchanger Complete , Condensate Dish, Cover Plate, Burner, Igniter, Sight Glass, Refractory, Water Sensors, Gaskets, Silicone, and Hardware - (Includes Items 100, 130, 140, 160, 170, 180, 190, 200, 210, and 270)
120	590-318-054	Cover Plate Gasket - Cover Plate To Heat Exchanger
130	511-724-296	Boiler Inlet Temperature Sensor
140		Boiler Outlet Temperature Sensor - (Same as Item 130)
150	590-318-006	Blower Gasket
160	383-700-181	Condensate Dish, Includes Gaskets - (Items 170, and 180), and Hardware
170	590-300-039	Gasket To Seal Heat Exchanger To Condensate Dish
180	383-700-104	Gasket To Seal Condensate Dish To Internal Flue Pipe
190	383-700-184	Heat Exchanger Cover Plate, Refractory, and Gaskets - (Includes Items 200, 230, 260, and 290)
200	383-700-182	Refractory Insulation and Silicone Sealant
210	383-700-183	Burner, Gasket, and Hardware - (Includes Item 220)
220	570-318-101	Burner Gasket
240	590-318-053	Burner Access Cover Gasket
250	383-700-187	Igniter Kit - (Includes Igniter, Gasket, and screws) (Includes Item 260)
260	590-300-034	Igniter Gasket
270	383-700-185	Sight Glass Kit - (Includes Bracket, Glass, Gaskets, and Hardware) (Includes Items 280, & 290)
280	591-419-202	Sight Glass
290	383-700-112	Sight Glass Gaskets, Upper and Lower

# ECO Combustion Components - 70/110/155

GAS

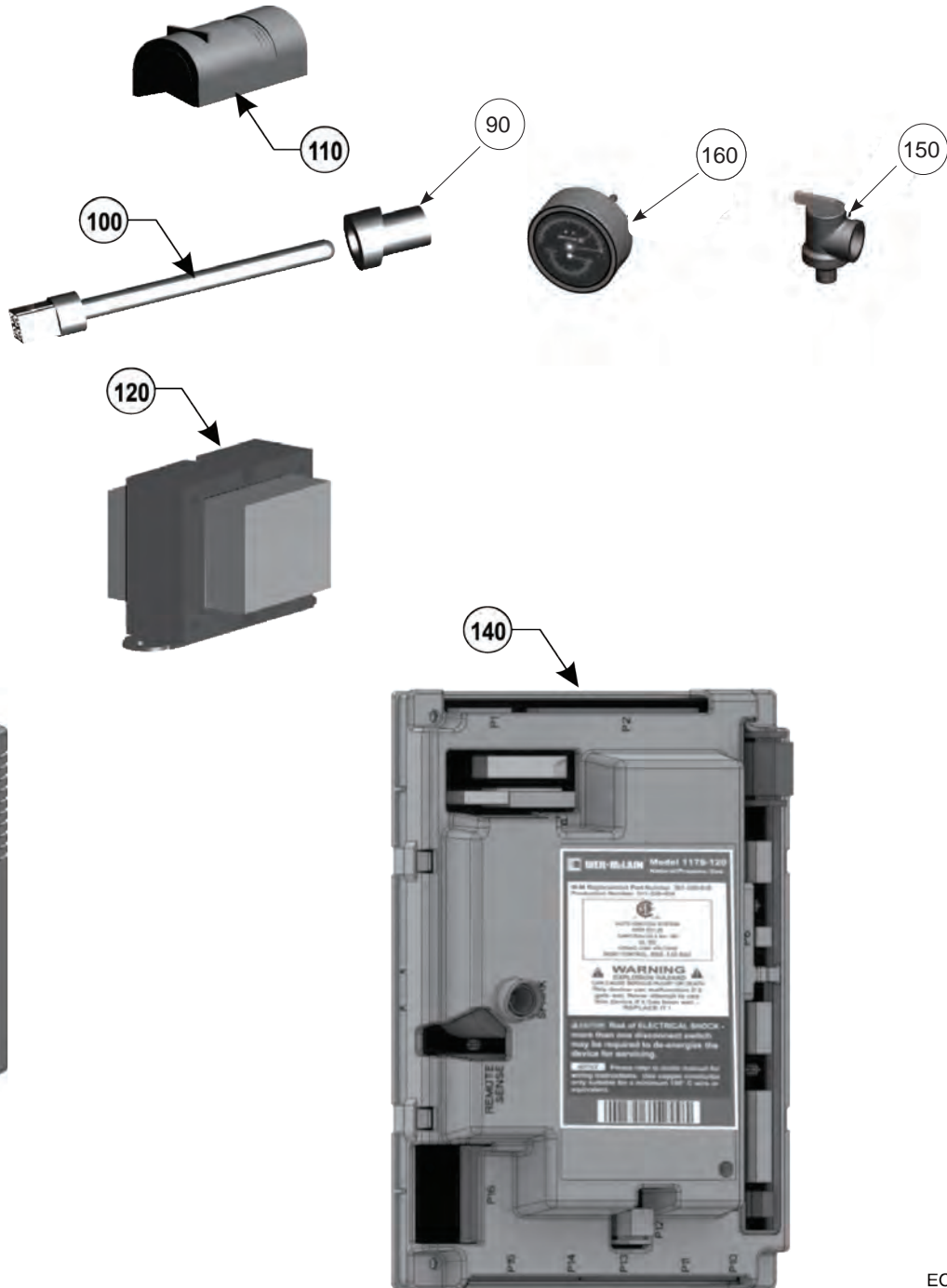


ECO-053

ECO  
Combustion Component Parts - 70/110/155

FIG NO.	Part Number	Description / contents	Model		
			70	110	155
200	383-700-155	Air Inlet Silencer	•	•	
210	590-318-049	Silencer O-ring	•	•	
220	383-700-157	Blower With Clip, and Gasket	•	•	
230	562-650-115	Blower Retainer Clip	•	•	
240	590-300-001	Reference Tube - Tube To Connect Blower To Gas valve	•	•	
250	383-700-159	Gas Valve/Venturi Assembly - (Includes Gas Valve, Venturi (027), Gasket, O-ring, Clip, and Screws)	•		
	383-700-160	Gas Valve/Venturi Assembly - (Includes Gas Valve, Venturi (040), Gasket, O-ring, Clip, and Screws)		•	
260	562-650-116	Gas Valve Retainer Clip	•	•	
270	563-910-031	Gas Valve Adapter Block - (Includes Block, O-ring, and Screws)	•	•	
275	590-318-045	Gas Valve Outlet O-ring	•	•	
280	Propane Orifice--Boilers Converted To Propane <b>ONLY</b> -- Available <b>ONLY</b> With Propane Conversion Kit				
285	562-302-576	Gas Flex Line Adapter - N.P.T To Flare Adapter	•	•	
290	383-800-224	Gas Flex Line - (Includes Gas Line, Seal, and Hardware)	•	•	
295	590-300-027	Gas Pipe Flange Gasket, Gasket Gas Flex Line to Cabinet	•	•	
300	383-700-203	Air Inlet Silencer - Silencer, Gasket, and Clip			•
310	383-700-195	Blower			•
320	383-700-196	Gas Valve/Venturi Assembly - (Includes Gas Valve, Venturi, Gasket, and Hardware)			•
330	Propane Orifice--Boilers Converted To Propane <b>ONLY</b> -- Available <b>ONLY</b> With Propane Conversion Kit				
340	563-910-031	Gas Valve Adapter Block - (Includes Block, O-ring, and Screws)			•
350	562-302-576	Gas Flex Line Adapter - N.P.T To Flare Adapter			•
360	383-800-224	Gas Flex Line - (Includes Gas Line, Seal, and Hardware)			•
370	590-300-027	Gas Pipe Flange Gasket, Gasket Gas Flex Line To Cabinet			•

# ECO Controls/Electrical Assemblies - 70/110/155



GAS

**ECO**  
**Controls/Electrical Assemblies Parts - 70/110/155**

Fig No.	Part No.	Description
90	590-318-011	Flue Temperature Sensor Grommet
100	383-500-600	Flue Temperature Sensor
110	383-500-125	Outdoor Temperature Sensor
120	383-500-628	Transformer 120/24 Volt, 50 VA
130	381-330-019	Display Board Assembly
140	381-330-018	Control Module Assembly
N/S	591-392-001	Wire Harness--- Line Voltage - ECO 70/110
	591-392-003	Wire Harness--- Line Voltage - ECO 155
	591-392-000	Wire Harness--- Low Voltage - ECO 70/110
	591-392-002	Wire Harness--- Low Voltage - ECO 155
	591-392-004	Wire Harness--- Display To Control Module - ECO 70/110/155
	383-700-199	Ignition Cable
	383-500-603	F1 - 3 Amp Fast Blow ATO - 5 Fuses
	383-500-604	F2 - 12 Amp Fast Blow AG - 5 Fuse
	383-500-641	Jumper For Low Voltage Terminal Block - 5 Jumpers
	383-800-229	Connector Electrical Control - Includes all 6 Connectors
	512-050-244	Electrical Connector - Green Power Plug
	591-850-571	Low Voltage Sealed Wire Cord Grip - Seals Thermostat Wire at Entrance to Cabinet
	511-100-005	24-V LWCO Kit with Quick Connect Harness
150	383-500-095	Relief Valve, 30 PSIG - For Models 70, 110, 155
160	383-300-000	Pressure Temperature Gauge, 60-360°F, 0-75 PSI, 3/8" Diameter, 1/4" N.P.T.

**GAS**

**ECO**  
**Miscellaneous Parts And Kits - 70/110/155**

Fig No.	Part No.	Description
<b>Chemicals</b>		
N/S	592-900-029	Antifreeze, Sentinel X500 - 1 Gallon
	592-900-006	Antifreeze, Sentinel X500 - 5 Gallon
	592-900-002	Corrosion Inhibitor, Sentinel X100
	592-900-005	Sentinel X100 Quick Test Kit
	592-900-003	Cleaner, Sentinel X400
<b>Boiler Accessories</b>		
N/S	383-700-165	ECO 70/110 Maintenance Kit - Includes Igniter, Gaskets-(Igniter, Venturi, and Cover Plate), Venturi-Gas Valve O-ring, Refractory, Silicone, Inhibitor Test Kit, Clips, and Manuals
	383-700-200	ECO 155 Maintenance Kit - Includes Igniter, Gaskets-(Igniter, Venturi, and Cover Plate), Venturi-Gas Valve O-ring, Refractory, Silicone, Inhibitor Test Kit, Clips, and Manuals
	383-800-218	Wall Mount Kit - (Supplied With Boiler) Includes Wall-Mount Bracket, and Hardware
	383-800-101	ECO Floor Stand Kit
	560-907-722	Condensate Trap Kit - (Supplied With Boiler) Includes Trap Assembly, and Flexible Line
<b>Condensate Handling Accessories</b>		
N/S	383-500-631	Condensate Neutralizer Kit
<b>Propane Conversion Kits</b>		
N/S	540-202-837	Propane Conversion Kit -(Includes LP Orifice, Label, and Instructions) for ECO-70
	540-202-838	Propane Conversion Kit -(Includes LP Orifice, Label, and Instructions) for ECO-110
	540-202-839	Propane Conversion Kit -(Includes LP Orifice, Label, and Instructions) for ECO-155
<b>Vent/Air Parts and Kits (PVC or Stainless Steel)</b>		
<b>Available From Weil-McLain</b>		
N/S	383-500-397	Weil-McLain Sidewall Vent/Air Cap Termination Kit for PVC Vent and Air Pipes - (Includes Sidewall Vent/Air Termination Cap, Inside and Outside Cover Plates and Mounting Hardware; Openings are For 3" PVC Pipe (Requires Field Installed 3" X 2" Adapter if Using 2" Vent/Air Pipes)
	382-200-430	Weil-McLain Sidewall Vent/Air Cap Termination Kit for AL29-4C Vent Pipe and PVC Air Pipe - (Includes Sidewall Vent/Air Termination Cap, Inside and Outside Cover Plates and Mounting Hardware; Openings are For 3" SS Vent Pipe and 3" PVC Air Pipe (Requires Field Installed 3" X 2" Adapter if Using 2" Vent/Air Pipes)
	383-700-171	Sidewall Separate Pipes Vent/Air termination Kit (Includes 2 Cover Plates) - For 2" PVC Vent and Air pipes
	383-500-100	Sidewall Separate Pipes Vent/Air termination Kit (Includes 2 Cover Plates) - For 3" PVC Vent and Air Pipes
	383-700-172	Sidewall Separate Pipes Vent/Air termination Kit (Includes 2 Cover Plates) - For 3" AL29-4C SS Vent Pipe and 3" PVC Pipe
	383-700-167	PVC Concentric Vent Kit - Horizontal or Vertical - Kit For 2" PVC Vent/Air Pipes
	383-500-350	PVC Concentric Vent Kit - Horizontal or Vertical - Kit For 3" PVC Vent/Air Pipes
	560-907-728	Bird Screen - 2" PVC - Vent/Air Pipes - Includes 1 Screen
	383-500-105	Bird screen - 3" PVC - Vent/Air Pipes - Includes 1 Screen
	383-700-235	Termination Restrictor Kit - (Includes Intake Washer, PVC Restrictor, and Instructions)

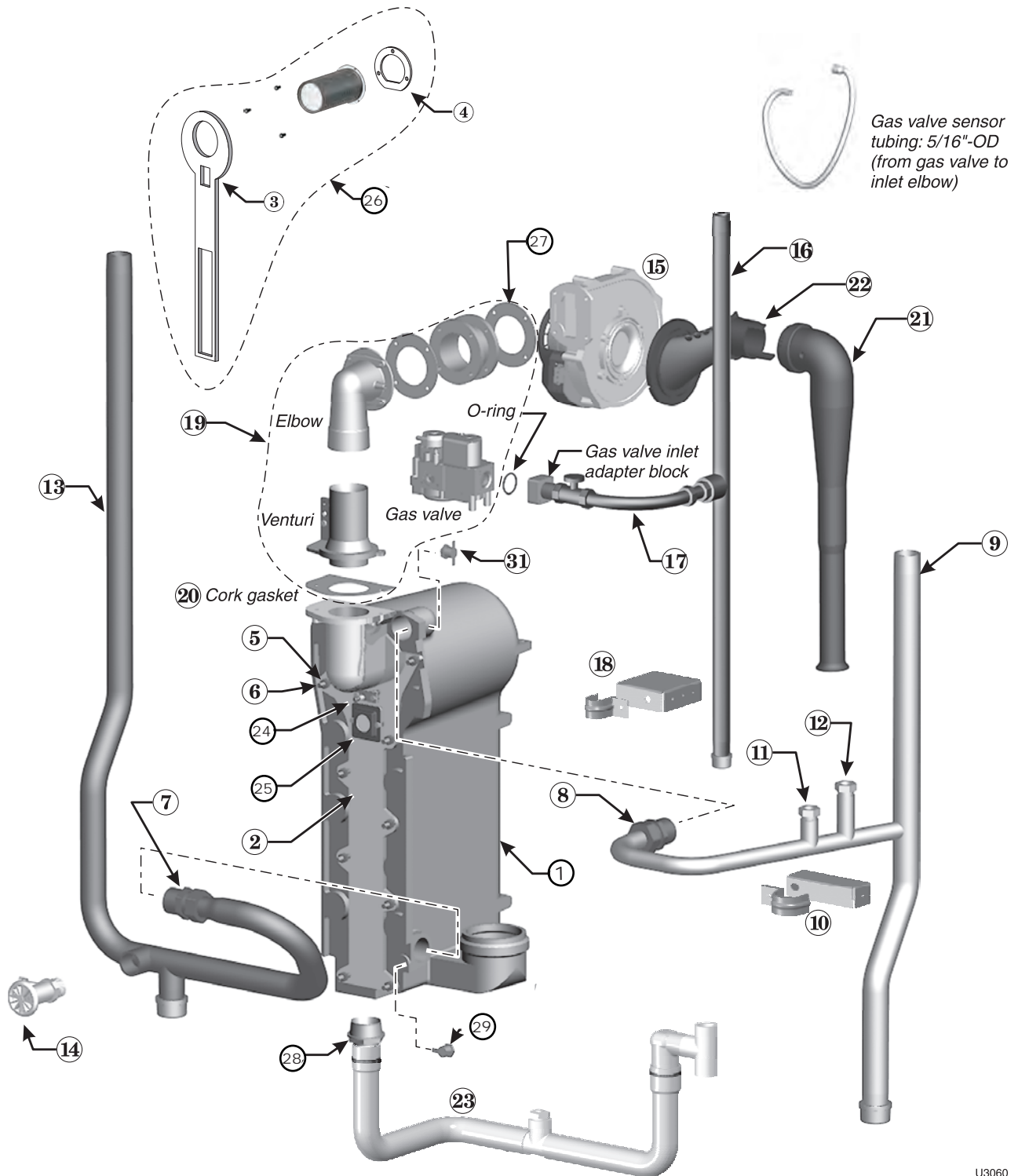
## Ultra Series 3 / 3UE /CT Jacket Parts

Fig. No.	Part No.	Description	Model
1	383-500-135	Jacket Front Door	
2	383-500-065	Boiler Leg Kit (4 Required)	
3	383-500-320	Knurled Heat Screw For Jacket Front Door (2 Required)	
N/S	383-500-180	Knurled Heat Screw Clip-On Receptacle (2 Required)	
4	383-500-655	Air Adapter Assembly (Includes: Adapter, Gasket and Mounting Bracket)	80/105
	383-500-145	Air Adapter Assembly (Includes: Adapter, Gasket and Mounting Bracket)	155
	383-500-150	Air Adapter Assembly (Includes: Adapter, Gasket and Mounting Bracket)	230/310/ 299/399
5	560-900-001	Flue Outlet Pipe Adapter	80/105
	383-500-656	Flue Outlet Pipe Adapter	155
	383-500-657	Flue Outlet Pipe Adapter	230/310/ 299/399
6	383-500-607	Top Cover, Front	
7	383-500-608	Top Cover, Rear	80 to 230
	383-500-609	Top Cover, Rear	310/299/ 399
8	383-500-610	Door Gasket Replacement Kit	
9	383-500-611	Handle (2 Required)	
N/S	383-500-638	Electrical Plug	
	592-800-022	3" Flue/Intake Gasket	80/105/155
	592-800-023	4" Flue/Intake Gasket	230/299/ 310/399
	590-318-007	70mm Lower Flue-Way Gasket	80/105
	590-318-003	80mm Lower Flue-Way Gasket	155
	590-318-004	100mm Lower Flue-Way Gasket	230/299/ 310/399

GAS



## Ultra Series 3 / 3UE / CT - (Ultra-80/105) Heat Exchanger / Piping



U3060

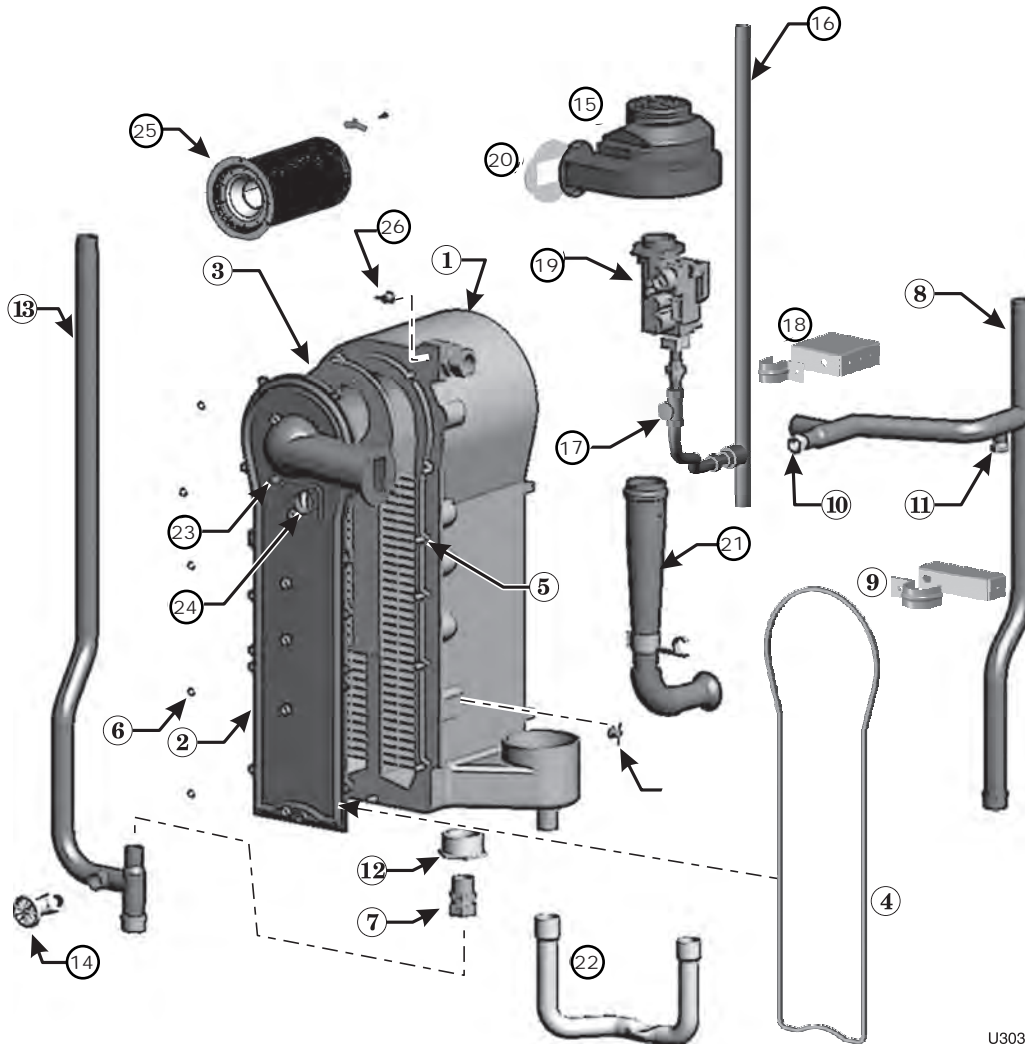
Fig. No.	Part No.	Description	Boiler Models
1	383-500-612	Heat Exchanger Replacement Kit - (Includes: Heat Exchanger, Cover Plate, Burner, Electrode, Water Sensors, Compression Fittings, Condensate Fitting, Gaskets, and Hardware)	80NG
	383-500-613		80LP
	383-500-614		105

GAS

## Ultra Series 3 / 3UE / CT - (Ultra-80/105) Heat Exchanger / Piping Parts

Fig. No.	Part No.	Description	Boiler Models
2	383-501-022	Cover Plate Replacement Kit - (Includes: Cover Plate, Cover Plate Gasket, Burner Gasket, and Hardware)	80/105
3	591-200-000	Cover Plate Gasket/Insulation	80/105
4	590-300-000	Burner Gasket	80/105
5	560-340-598	Cover Plate Studs, M6, 1 Pitch	All
6	561-928-449	Cover Plate Nuts, M6, 1 Pitch	All
7	383-500-260	Water Compression Fitting, 28 mm	80/105
8	564-100-002	Water Compression Fitting, 22 mm	80/105
9	383-501-036	Supply Water Pipe Assembly - (Includes: Pipe, Temperature Well, Check Valve, Cap (Assembled) and Compression Fitting)	80/105
10	383-500-615	Supply Water Lower Pipe Clamp and Hardware	80/105
11	383-500-270	½" N.P.T Well For Temperature Gauge	All
12	383-500-275	Pressure/Temperature Gauge Check Valve	All
13	383-501-037	Return Water Pipe Assembly - (Includes: Pipe, Drain Valve, Cap (Assembled) and Compression Fitting)	80/105
14	511-246-392	Boiler Drain Valve, ¾" N.P.T.	All
15	383-501-027	Blower Assembly Kit - (Includes: Blower, Gasket, and Hardware)	80/105
16	560-907-682	Gas Pipe	80/105
17	383-500-616	Flexible Gas Line Section, (Includes-Shut-Off Valve,Block,O-Ring, and Screws)	80/105
18	383-500-617	Gas Pipe Lower Pipe Clamp And Hardware	80/105
N/S	563-910-031	Gas Valve Block (Includes Block, O-ring, and Screws)	All
19	383-501-029	Gas Valve/Venturi Kit - (Includes: Gas Valve, Venturi, 90° Elbow, Gaskets, and Hardware (Assembled)) (For LP boilers, Make Sure to Reinstall The Existing Propane Orifice)	80
	383-501-030		105
20	590-317-310	Gasket Cork (For In Between Gas Valve Venturi and Burner Inlet)	All
21	383-501-026	Air Silencer Kit - Air Silencer and Gasket	80/105
22	383-501-025	Air Silencer Adapter Kit - Air Silencer Adapter and Hardware	80/105
23	383-500-618	Condensate Trap Kit - Condensate Trap, Hose Clamps, PVC Fittings and Gasket	80/105
24	383-500-045	Ignition Electrode Kit - Ignition Electrode, Suppressor, Gasket and Hardware	All
N/S	383-500-619	Ignition Cable Kit - Ignition Cable, Suppressor and Wire Tie	All
25	383-500-020	Inspection Glass Kit - Bracket, Glass, Gasket and Hardware	All
26	383-501-032	Burner Replacement Kit - Burner, Gaskets and Hardware	80NG
	383-501-033		80LP
	383-501-034		105
N/S	383-900-090	Burner Insert Repair Kit (Includes Drill, Tap, Inserts, Screws, Instructions)	All
27	590-300-003	Gasket Rubber, Blower	80/105
28	561-200-000	Condensate Fitting	80/105
29	383-500-602	Return/Supply Sensor Kit - (1) Sensor	All
N/S	383-600-009	Gas Valve "O" ring, Includes 10 "O" Rings	All
	590-317-310	Cork Gasket (Goes Between Gas Valve and Blower)	All
	590-300-001	Silicone Tube - From Gas Valve To 90° Elbow	80/105
	561-200-000	Plastic Condensate Fitting - For Heat Exchanger	80/105

## Ultra Series 3 / 3UE / CT - (Ultra-155 / 230) Heat Exchanger / Piping Parts



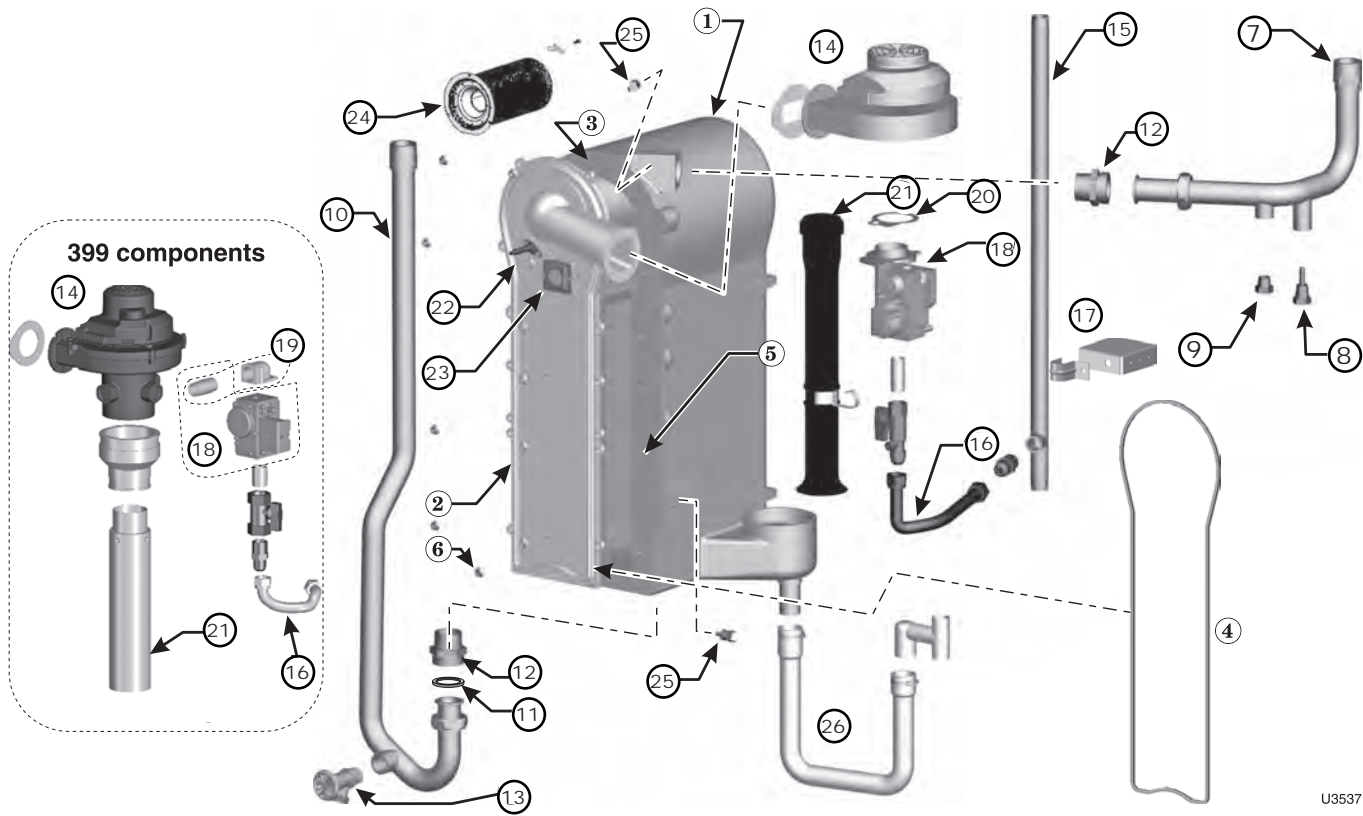
U3035

Fig. No.	Part No.	Description	Boiler Model
1	383-500-621	Heat Exchanger Replacement Kit - (Includes: Heat Exchanger, Cover Plate, Burner, Electrode, Water Sensors, Compression Fittings, Condensate Fitting, Gaskets and Hardware)	155
	383-500-622		230
2	383-500-395	Cover Plate Replacement Kit - (Includes: Cover Plate, Cover Plate Gasket, Burner Gasket and Hardware)	155/230
3	383-500-250	Cover Plate Insulation/Burner Gasket	155/230
4	383-500-255	Cover Plate Gasket	155/230
5	560-340-598	Cover Plate Studs, M6, 1 Pitch	All
6	561-928-449	Cover Plate Nuts, M6, 1 Pitch	All
7	383-500-260	Water Compression Fitting, 28 mm	155/230
8	383-500-265	Supply Water Pipe Assembly - (Includes: Pipe, Temperature Well, Check Valve, Cap (Assembled) and Compression Fitting)	155/230
9	383-500-615	Supply Water Lower Pipe Clamp and Hardware	155/230
10	383-500-270	½" N.P.T Well for Temperature Gauge	All

## Ultra Series 3 / 3UE / CT - (Ultra-155 / 230) Heat Exchanger / Piping Parts

11	383-500-275	Pressure/Temperature Gauge Check Valve	All
12	383-500-280	Return Water Bushing, 1¼" BSP x 1" BSP (Not Used On Ultra-310)	155/230
13	383-500-285	Return Water Pipe Assembly - (Includes: Pipe, Drain Valve, Cap (Assembled) and Compression Fitting)	155/230
14	511-246-392	Boiler Drain Valve, ¾" N.P.T.	All
15	383-500-035	Blower Assembly Kit (Includes: Blower, Gasket and Hardware)	155
	383-500-040		230
16	560-907-683	Gas Pipe	155/230
17	383-500-624	Flexible Gas Line Section, (Includes Flex-Line and Shut-off Valve)	155/230
N/S	563-910-031	Gas Valve Block, (Includes Block, O-ring, and Screws)	
18	383-500-617	Gas Pipe Lower Clamp and Hardware	155/230
19	383-500-025	Gas Valve/Venturi Kit (Includes: Gas valve, Venturi, (Make Sure to Reinstall The Existing Propane Orifice)	155
	383-500-030		230
20	590-318-006	Gasket Blower (Rubber) Discharge Gasket	All
21	383-500-295	Air Silencer Kit (Includes: Air Silencer and Gasket)	155/230
22	383-500-060	Condensate Trap Kit (Includes: Condensate Trap, Hose Clamps, PVC Fittings and Gasket)	155/230
23	383-500-045	Ignition Electrode Kit (Includes: Ignition Electrode, Suppressor, Gasket and Hardware)	All
N/S	383-500-619	Ignition Cable Kit (Includes: Ignition Cable, Suppressor and Wire Tie)	All
24	383-500-020	Inspection Glass Kit (Includes: Bracket, Glass, Gasket and Hardware)	All
25	383-500-085	Burner Replacement Kit (Includes: Burner, Gaskets and Hardware)	155
	383-500-090		230
N/S	383-900-090	Burner Insert Repair Kit (Includes Drill, Tap, Insert, Screws, Instructions)	155/230
	383-500-660	Burner Screw/Tab Kit (Includes: 3 Burner Screws and 3 Tabs)	All
26	383-500-602	Return/Supply Sensor Kit - (1) Sensor	All
N/S	383-600-009	Gas Valve "O" Ring (Includes (10) "O" Rings)	All
	590-318-006	Rubber Gasket For Inducer Discharge To Heat Exchanger	All
	590-317-310	Cork Gasket (Goes Between Gas Valve Venture and Blower)	All

## Ultra Series 3 / 3UE / CT - (Ultra-299 / 310 / 399) Heat Exchanger / Piping Parts



U3537

Fig. No.	Part No.	Description	Boiler Model
1	383-500-623	Heat Exchanger Replacement Kit (Includes: Heat Exchanger, Cover Plate, Burner, Electrode, Water Sensors, Compression Fittings, Condensate Fitting, Gaskets and Hardware)	299/399
2	383-500-395	Cover Plate Replacement Kit (Includes: Cover Plate, Cover Plate Gasket, Burner Gasket and Hardware)	299/399
3	383-500-250	Cover Plate Insulation/Burner Gasket	299/399
4	383-500-255	Cover Plate Gasket	299/399
5	560-340-598	Cover Plate Studs, M6, 1 Pitch	All
6	561-928-449	Cover Plate Nuts, M6, 1 Pitch	All
7	383-500-380	Supply Water Pipe Assembly (Includes: Pipe, Temperature Well, Check Valve, Cap (Assembled) and Compression Fitting)	299-399
8	383-500-270	½" N.P.T. Well For Temperature Gauge	All
9	383-500-275	Pressure/Temperature Gauge Check Valve	All

## Ultra Series 3 / 3UE / CT - (Ultra-299 / 310 / 399) Heat Exchanger / Piping Parts

Fig. No.	Part No.	Description	Boiler Model
10	383-500-385	Return Water Pipe Assembly (Includes: Pipe, Drain Valve, Cap (Assembled) and Compression Fitting)	299/399
11	562-248-755	Supply/Return Water Piping Square Cut Garlock Gasket	299-399
12	561-326-828	Fitting, Double Nipple For Supply/Return	299-399
13	511-246-392	Boiler Drain Valve, ¾" N.P.T	All
14	383-500-360	Blower Assembly Kit (Includes: Blower, Gasket, and Hardware)	299/310
	383-500-650		399
15	560-907-679	Gas Pipe	299-399
16	560-900-016	Flexible Gas Line Section and Shut-off Valve	299/310
	383-500-653		399
N/S	563-910-031	Gas Valve Block - (Includes Block, O-ring, and Screws)	
17	383-500-625	Gas Pipe Lower Clamp and Hardware	299/310
18	383-500-390	Gas Valve/Venturi Kit - (Includes: Gas valve, Venturi, (For 310LP Boilers, Make Sure To Reinstall The Existing Propane Orifice)	299
	383-500-652	Gas Valve Kit (Includes: Gas Valve, Venturi and Burner Inlet)	399
19	383-500-651	Gas Valve Outlet Adapter/Nipple Kit	399
20	590-317-310	Gasket Cork (For In Between Gas Valve Venturi and Blower Inlet)	299/310
21	383-500-355	Air Silencer Kit (Includes: Air Silencer and Gasket)	299/310
	383-500-654		399
22	383-500-045	Ignition Electrode Kit (Includes: Ignition Electrode, Suppressor, Gasket and Hardware)	All
	511-330-253	Ignition Electrode Gasket Only	
N/S	383-500-619	Ignition Cable Kit (Includes: Ignition Cable, Suppressor and Wire Tie)	All
23	383-500-020	Inspection Glass Kit (Includes: Bracket, Glass, Gasket and Hardware)	All
24	383-500-407	Burner Replacement Kit (Includes: Burner, Gaskets and Hardware)	299-399
N/S	383-900-090	Burner Insert Repair Kit (Includes Drill, Tap, Insert, Screws, Instructions)	299-399
	383-500-660	Burner Screw/Tab Kit (Includes: 3 Burner Screws and 3 Tabs)	All
25	383-500-602	Return/Supply Sensor Kit - (1) Sensor	All
26	383-500-626	Condensate Trap Kit - (Includes: Condensate Trap, Hose Clamps, PVC Fittings and Gasket)	299-399
N/S	383-600-009	Gas Valve O-Rings (10 Per Bag)	All

# Ultra Series 3 / 3UE / CT Electrical / Controls



U3033

GAS

## Ultra Series 3 / 3UE / CT Electrical / Control Parts

Fig. No.	Part No.	Description
1	383-500-658	Ultra U-Control Module
2	383-500-628	Transformer, 120v/24v - 50VA
3	383-500-659	Display Board Assembly (Includes: Plastic and Display Screen)
4	383-500-205	On/Off Power Switch
5	383-500-630	Pressure/Temperature Gauge Assembly (Includes: Temperature and Pressure Sensor)
6	383-500-600	Flue Temperature Sensor Replacement Kit - (Includes Sensor and Grommet)
7	590-318-011	Flue Temperature Sensor Grommet
8	383-500-601	System Temperature Sensors (2 Required)
9	383-500-638	120 Volt, 3-Wire Receptacle
10	383-500-603	Ultra U-Control Module Fuses F - 3-Amp, Fast-Blow ATO (5 Fuses)
11	383-500-604	Ultra U-Control Module Fuses F - 12-Amp, Fast-Blow AG (5 Fuses)
12	383-500-641	Jumper For Low Voltage Terminal Blocks, (5 Jumpers)
13	383-500-642	Ultra U-Control Terminal Block Kit, (Includes: 1 High Voltage Terminal Block, 6 Low Voltage Terminal Blocks and Screwdriver)
14	383-500-636	Upper Low Voltage Wire Harness (Male)
15	383-500-633	Display To U-Control Wire Harness
16	383-500-125	Outdoor Temperature Sensor
N/S	383-500-634	Upper Line Voltage Wire Harness (Male)
	383-500-635	Lower Line Voltage Wire Harness (Female)
	383-500-637	Lower Low Voltage Wire Harness (Female)
	511-100-005	24-V LWCO Kit with Quick Connect Harness



## Ultra Series 3 / 3UE / CT Natural to Propane Conversion



<b>Sea Level to 5500 Feet Altitude</b>			
Fig No	Model	Description	Part Number
1	80	LP Orifice, LP Burner, Instructions, Conversion Label. Order Separately if Converting Natural Gas Boiler.	383-501-020
2	105	LP Orifice, Instructions and Conversion Label. Provided with Boiler	540-100-001
	155		383-500-115
	230		383-500-120
	299		540-202-832
	310		540-202-831
N/S	399	LP Orifice Not Provided. Adjustment Made with Throttle Screw. See Boiler Manual	NA
<b>Above 5500 Feet Altitude</b>			
1	80	LP HA (High Altitude) Orifice. Requires Nat to LP Conversion From Above To Replace Natural Burner With LP Burner.	383-500-644
2	105	LP Orifice, Instructions and Conversion Label	383-500-645
	155		383-500-646
	230		383-500-647
	299		383-500-394
	310		383-500-648
N/S	399	LP Orifice Not Provided. Adjustment Made With Throttle Screw. See Boiler Manual.	NA
<b>Ultra Series 3, 3UE,CT Propane To Natural Conversion</b>			
<b>Sea Level to 5500 Feet Altitude</b>			
N/S	80	Natural Gas Burner, Instructions, Conversion Label. Order Separately if Converting LP Gas Boiler.	383-501-021

## GV90+ Series 1 & 2 Blower Assembly Parts

Fig. No.	Part No.	Description	Model
1	382-200-320	Burner Replacement Kit (Includes: Burner, Blower Flange Gasket, Igniter, Igniter Screws, Igniter Washers, Igniter Gasket)	3
	382-200-325		4
	382-200-330		5
	382-200-335		6
2	590-317-610	Blower Flange Gasket	All
3	382-200-723	Air Pressure Switch (0 To 5,500 Feet Elevation)	All
	382-200-728	Air Pressure Switch (5,500 To 10,000 Feet Elevation)	All
4	382-200-345	Blower Motor Replacement Kit (Includes: Blower Motor, Motor Mounting Grommets, Screws, Lock Nuts and 9" Allen Wrench) - (Series-1)	All
	381-356-584	Blower Motor Replacement Kit (Includes: Blower Motor, Motor Mounting Grommets, Screws, Lock Nuts and 9" Allen Wrench) - (Series-2)	All
5	382-200-340	Blower Housing Assembly Replacement Kit (Includes: Blower Housing, Obsv. Port, Blower Housing Cover Plate, Blower Motor Mounting Brackets, Washer Hold Down Bracket, Lock Nuts, Motor Mount Grommets, Blower Motor, Blower Wheel, Magnetic Washer, Silicone Sealant, Screws, Blower Flange Gasket, Igniter, Igniter Washers, Igniter Screws, Igniter Gasket) - (Series-1)	All
	381-356-587	Blower Housing Assembly Replacement Kit (Includes: Blower Housing, Obsv. Port, Blower Housing Cover Plate, Blower Motor Mounting Brackets, Washer Hold Down Bracket, Lock Nuts, Motor Mount Grommets, Blower Motor, Blower Wheel, Magnetic Washer, Silicone Sealant, Screws, Blower Flange Gasket, Igniter, Igniter Washers, Igniter Screws, Igniter Gasket) - (Series 2)	All
6	510-811-926	Conversion Kit, Natural To Propane (Includes: Propane Orifice Plate, Label)	3
	510-811-927		4
	510-811-928		5
	510-811-929		6
	510-811-934	Orifice Plate, Natural Gas	3
	510-811-935		4
	510-811-936		5
	510-811-937		6
7	382-200-362	Gas/air Manifold Assembly (Includes: Gas/Air Manifold, Gas Tubing, Washers, Screws, Gas Valve O-ring)	All
8	382-200-409	Sense Line Condensate Trap (Includes: Sense Line Condensate Trap and Hoses)	All
9	382-200-411	Gas Valve Kit (Includes: Gas Valve, Gas Cock, ½" Nipple, Bracket, O-ring, Screws)	All
10	511-330-148	Igniter Replacement Kit Includes (Igniter and Gasket)	All
11	590-317-599	Igniter Gasket	All
12	382-200-310	Inlet Air Tube With Grill	All
13	591-850-068	Hose Clamp, 3"	All
14	562-302-573	Inlet Air Hose, 3" by 19" Long	All
15	542-200-181	Inspection Port Cover - (Includes Inspection Port Gasket)	All
16	590-317-628	Inspection Port Gasket - <b>ONLY</b>	All

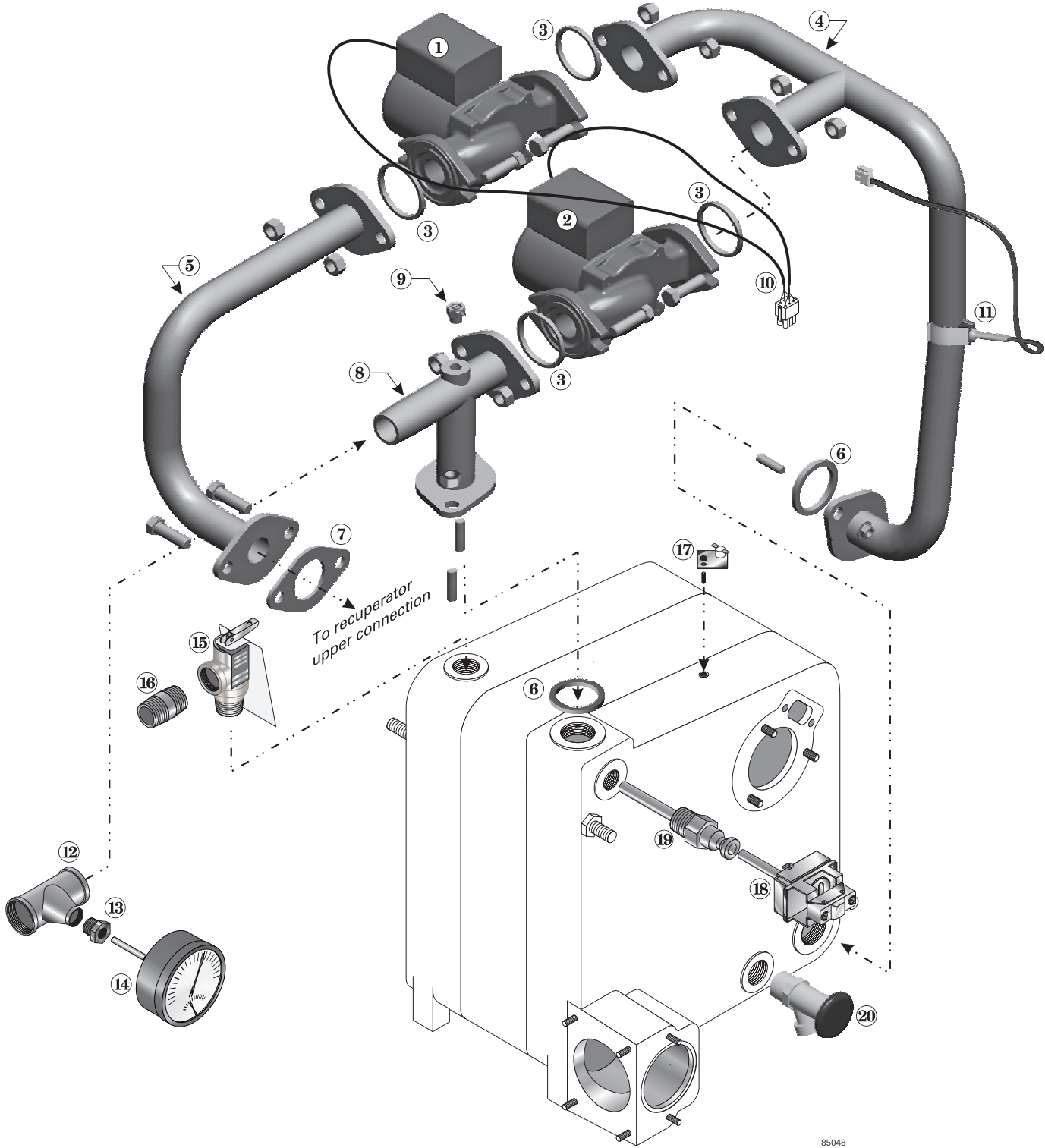
GV90+ Series 1 & 2  
Blower Assembly Parts Continued

Fig. No.	Part No.	Description	Model
17	590-317-653	Recuperator Connection Gasket	All
18	591-850-086	Condensate Drain Hose Clamp	All
19	560-907-716	Condensate Trap	All
20	—	½" PVC Condensate Tee	All
21	561-704-527	Condensate Tee U-clamp	All
22	382-200-714	Recuperator Kit (Includes: Recuperator, Recuperator Connection Gasket, Diamond Flange Gasket (2), Connection Hardware (4-Nuts), Flue Gas Thermal Fuse)	3-4
	382-200-715		5-6
23	See item 24	Diamond Flange, 1" N.P.T	All
24	590-317-535	Diamond Flange Gasket	All
25	511-724-295	Flue Gas Thermal Fuse - 215 ° F	All
26	382-200-716	In-line Flue Adapter with Drain Kit (Includes: In-Line Flue Adapter With Drain and Drain Hose (6 Inches))	All
27	382-200-717	Flue Drain Hose Kit, 6 Inches	All
28	593-000-002	Recuperator Cover Plate - (Series 1 <b>ONLY</b> )	3-4
	593-000-003		5-6
29	593-000-004	Recuperator Cover Plate Gasket - (Series 1 <b>ONLY</b> )	3-4
	593-000-005		5-6
30	593-000-006	Recuperator Vent Pipe Seal	All
N/S	592-900-015	Oil Lubricant - Anderol 465 3 oz.	All

## GV90+ Series 1 & 2 Miscellaneous Parts

Part No.	Description	Model
383-500-397	Vent Termination Kit For 3" PVC	All
382-200-430	Vent Termination Kit For 3" Stainless Steel	All
383-500-105	Vent Termination Bird Screen 3" PVC (1 Piece)	All
383-500-350	3" PVC Concentric Vent Kit	All
560-907-717	Adapter 3" AL29-4C Vent Starter, FasNSeal	All
560-907-723	Adapter 3" AL29-4C Vent Starter, Z-Vent	All
560-907-724	Adapter 3" AL29-4C Vent Starter, Saf-T-Vent	All
Contact Weil-McLain	Adapter 3" AL29-4C Vent Starter, CORR/GUARD	All
592-900-002	Corrosion Inhibitor, Sentinel X100 (One Tube is Shipped With Boiler)	All
592-900-005	Sentinel X100 Inhibitor Test Kit (One Kit is Shipped With Boiler)	All
592-900-003	Cleaner, Sentinel X400	All
592-900-004	Antifreeze, Aluminum Safe, Sentinel X400	All
383-500-631	Condensate Neutralizer Kit	All
381-400-010	GV90 Bug Box - (Instructions Included)	All

# GV90+ Series 1 & 2 Water Trim Assembly

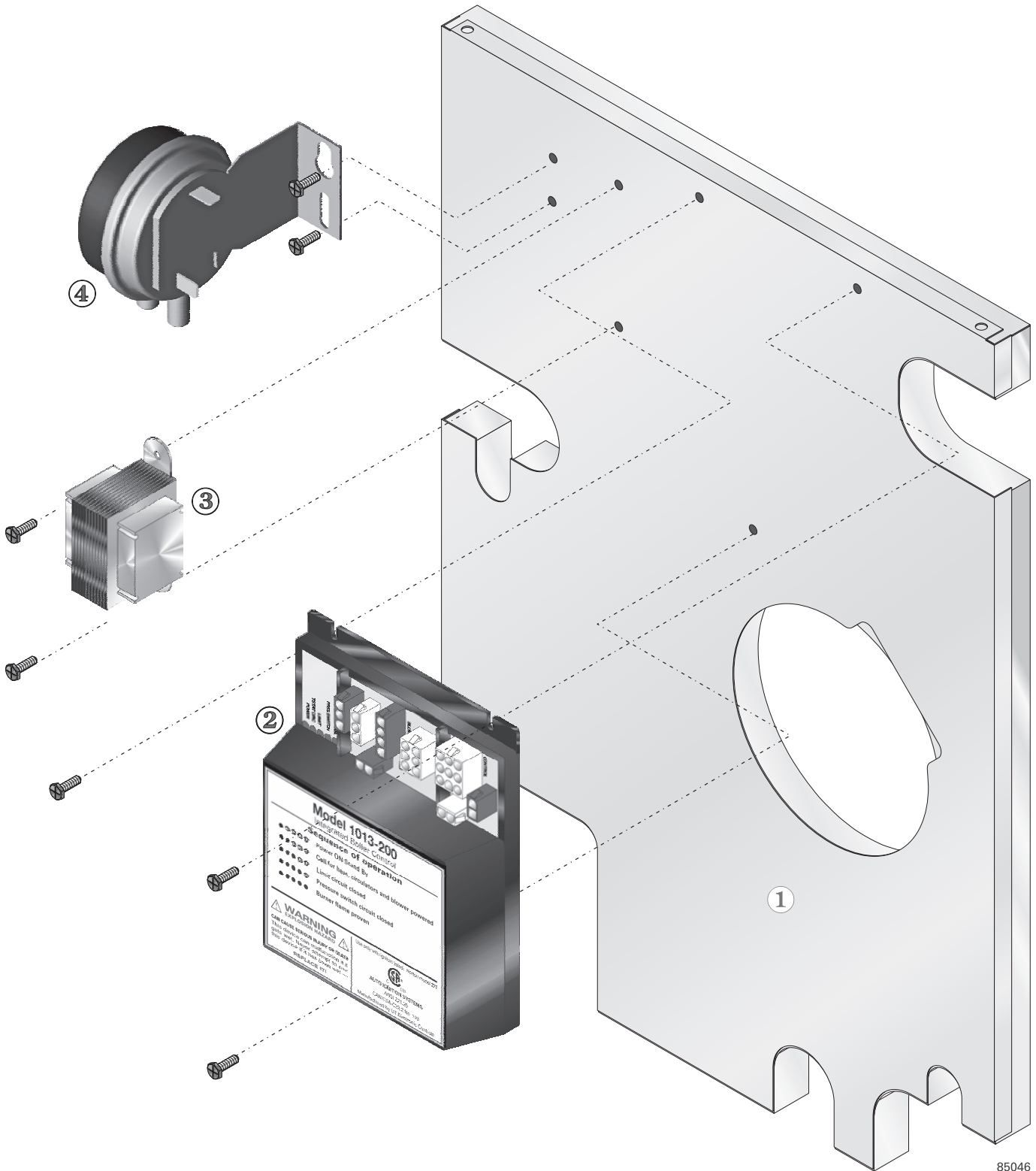


## GV90+ Series 1 & 2 Water Trim Assembly Parts

Fig. No.	Part No.	Description
1	511-405-113	System Circulator, Taco 007
2		Bypass Circulator, Taco 007
3	590-317-543	Circulator Gasket, Taco 110-339
4	382-200-720	Manifold, Casting/Circulator Kit (Includes: Water Manifold, Circulator Gasket (Taco 110-339) (2), Square Cut Seal (Manifold To Casting))
5	382-200-721	Return Manifold, Recuperator/Circulator Kit (Includes: Water Manifold, Circulator Gasket (Taco 110-339) (1), Diamond Gasket)
6	572-800-011	Square Cut Seal Gaskets, Casting, 2.31"
7	590-317-535	Diamond Flange Gasket
8	382-200-722	Supply Manifold Kit (Includes: Water Manifold, Circulator Gasket (Taco 110-339) (1), Square Cut Seal (Manifold To Casting))
9	570-148-565	Coin-Operated Air Vent, 1/8" N.P.T
10	591-391-824	Wiring Harness, Circulators To IBC
11	511-330-089	Return Water Temperature Sensor and Clip
12	Obtain locally	Tee, 1" x 1" x 3/4"
13	Obtain locally	Bushing 3/4" x 1/4"
14	380-000-000	Combination Pressure-Temperature Gauge, 3" Dia., 0-75 PSIG, 60-320°F, Short Shank, Back Connection, 1/4" N.P.T.
15	383-500-095	30 PSIG Relief Valve - 3/4" Male Inlet
16	Obtain locally	Nipple, N.P.T — 3/4" x 3"
17	382-200-375	Block Temperature Switch Kit (Includes: Block Switch (350° Open, 250° Close) and Mounting Bracket)
18	382-200-719	Limit Control Without Well, 200 °F Maximum Setpoint - (Series 1 <b>ONLY</b> )
19	592-300-017	Limit Control Well, 1/2" N.P.T - (Series 1 <b>ONLY</b> )
N/S	381-356-577	Boiler Temperature Sensor - Tasseron - TSD01BW-R, 1/2" N.P.T, 12K ohms - Series 2 <b>ONLY</b>
20	511-246-392	Drain Valve, 3/4" N.P.T

# GV90+ Series 1 & 2 Controls

GAS



85046

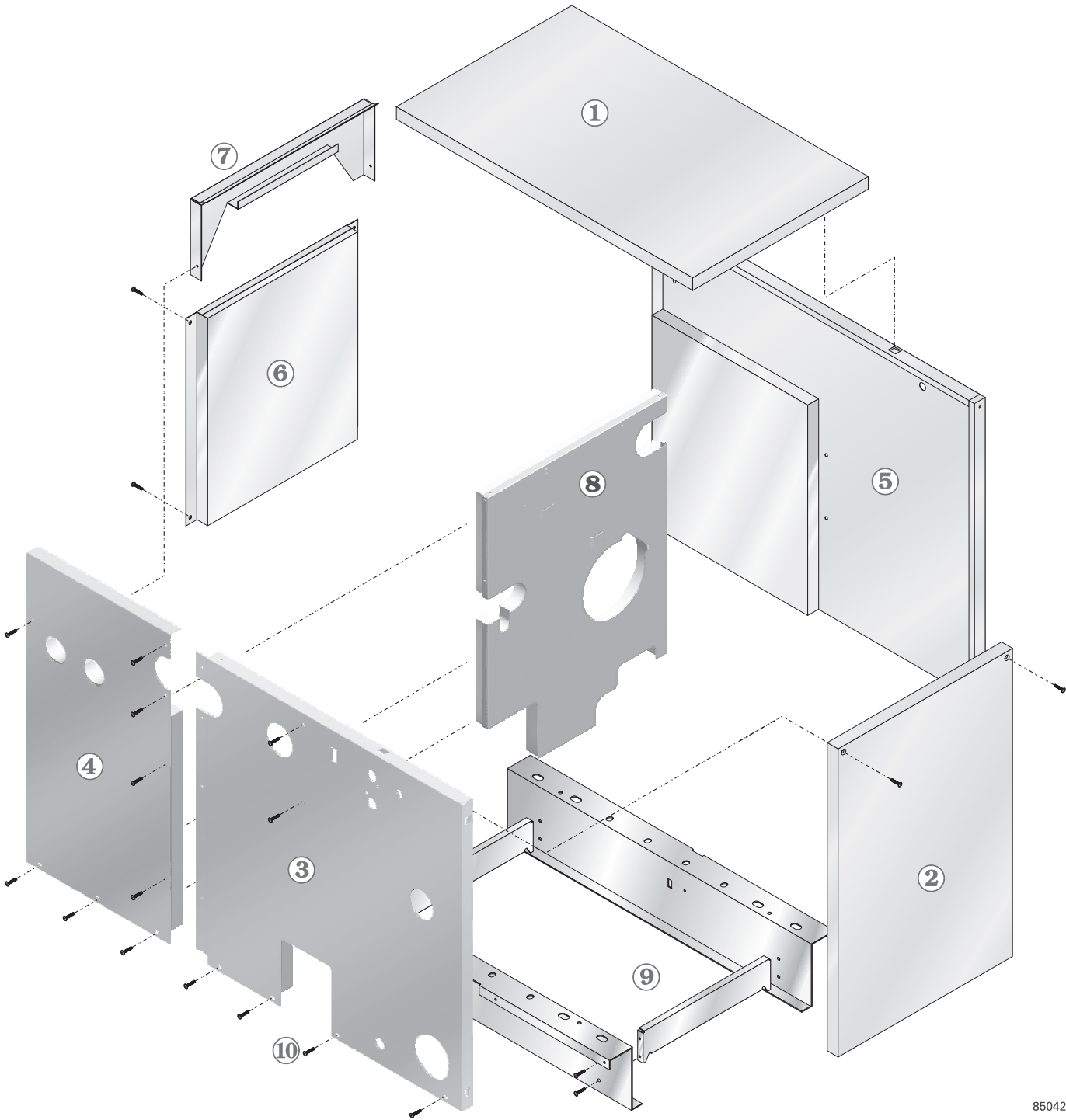
## GV90+ Series 1 & 2 Control Parts

GV90+ Series 1				
Fig. No.	Part No.	Description	Mfg.	Mfg's Part No.
2	382-200-448	Integrated Boiler Control Assembly (Includes: IBC and Screws)		
3	511-842-370	Transformer		
N/S	591-391-963	Wiring harness, IBC To Junction Box		
	591-391-964	Wiring harness, IBC To Controls (Not Shown)		
GV90+ Series 2				
Fig. No.	Part No.	Description	Mfg.	Mfg's Part No.
2	381-330-013	Integrated Boiler Control - (Includes, Limit Control)	U/T	1135-700
3	381-356-578	Transformer - 120/24 Volt, 40 VA	Honeywell	AT140B1297
N/S	591-391-984	Wire Harness, Power, J Box To Module	Weil-McLain	
	591-392-005	Thermostat Harness	Weil-McLain	
	591-391-985	Controls To Module Harness	Weil-McLain	
	591-391-995	Temperature Sensor Wire Harness	Weil-McLain	
GV90+ Series 1 & 2 Common Parts				
1	382-200-727	Interior Panel		
4	382-200-723	Air Pressure Switch 1.00 " W.C. Less Than 5,500 Feet Elevation	Honeywell	50041452
	382-200-728	Air Pressure Switch .70" W.C. Greater Than 5,500 Feet Elevation	Cleveland	NS2-1195-00
N/S	591-391-819	Wiring Harness, Ignitor To Control Harness	Cleveland	NS2-1195-01
	591-391-824	Wiring Harness, Circulators	Weil-McLain	
	383-500-205	On/Off Switch Kit		All
GV90+ Series 2 Only Control Parts				
N/S	381-356-586	Outdoor Temperature Kit - (Includes Sensor, Wire Harness, and Instructions)		All
	381-356-585	Zone Interface Harness Kit - (Includes Wire Harness, Cable Clamp, and Instructions)		All
	383-500-125	Outdoor Sensor Kit - (Includes Sensor and Mounting Hardware) 30/50°C, 12 KOhms.		All

GAS



# GV90+ Series 1 & 2 Jacket Assembly



85042

# CGt - Series 1 & 2 - Water trim Parts

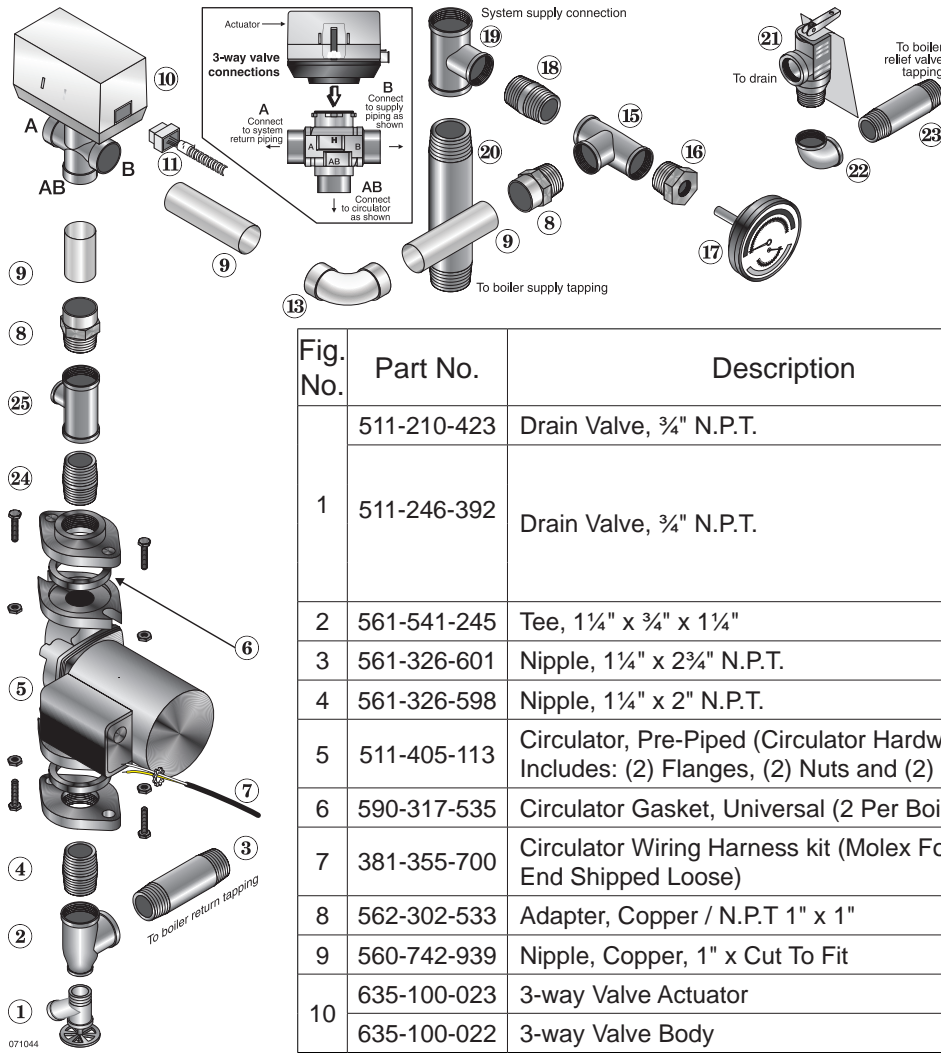


Fig. No.	Part No.	Description	Mfr.	Mfr's. Part No
1	511-210-423	Drain Valve, 3/4" N.P.T.	Conbraco	31-606-01
	511-246-392	Drain Valve, 3/4" N.P.T.	Nibco	#74
			Watts	BD-2C
			Hammond Vlv	710
	Matco-Norca	205F4		
2	561-541-245	Tee, 1 1/4" x 3/4" x 1 1/4"		
3	561-326-601	Nipple, 1 1/4" x 2 3/4" N.P.T.		
4	561-326-598	Nipple, 1 1/4" x 2" N.P.T.		
5	511-405-113	Circulator, Pre-Piped (Circulator Hardware Kit Includes: (2) Flanges, (2) Nuts and (2) Screws)	Taco	007
6	590-317-535	Circulator Gasket, Universal (2 Per Boiler)		
7	381-355-700	Circulator Wiring Harness kit (Molex For Control End Shipped Loose)		
8	562-302-533	Adapter, Copper / N.P.T 1" x 1"		
9	560-742-939	Nipple, Copper, 1" x Cut To Fit		
10	635-100-023	3-way Valve Actuator	Honeywell	VC8710-11
	635-100-022	3-way Valve Body	Honeywell	VCZMS6100

11	591-391-920	Main Wire Harness Controls To Module - (Boilers With CP's Before CP-5952944)		
	591-391-950	Main Wire Harness Controls To Module - (Boilers With CP's After CP-5952944)		
13	561-115-303	Elbow, Copper, 1"		
15	561-541-212	Tee, 1" x 1" x 1", N.P.T.		
16	560-807-350	Bushing, 1" x 1/2" N.P.T.		
17	380-000-000	Combination Pressure-Temperature Gauge Kit, 60°-360°F 0-75 PSI, 3/8" Dia., 1/4" N.P.T., Short Shank With 1/4" x 1/2" Reducing Bushing	Weil-McLain	
18	561-326-500	Nipple, 1" Closing		
19	561-541-248	Tee 1 1/4" x 1 1/4" x 1" N.P.T.		
20	561-326-625	Nipple, 1 1/4" x 6"		
21	383-500-095	Pressure Relief Valve, ASME, 30 PSIG, 3/4" Male Inlet (Fittings Shown are Factory-Installed on Boiler)	Conbraco	10-407-10
			Watts	M330
22	561-115-295	Elbow, 3/4" N.P.T. Pre-Piped		
23	561-326-395	Nipple, 3/4" Pre-Piped		
24	561-326-500	Nipple, 1" x Close N.P.T.		
25	561-541-216	Tee, 1" x 1" x 1/2" N.P.T.		
N/S	511-210-458	Domestic Mixing Valve, 3/4" Sweat Connections	Honeywell	AM 101 C-US-1
	511-246-398	3-way Valve Repair Kit (Includes: New Valve Plunger and Wrench)		
	381-356-574	3-way Valve Retrofit Kit (Includes: New Boiler Wiring Harness and Relay) Retrofits CGt Boilers Prior to CP5952944, February 23, 2009.		
	563-210-632	Red Male Connector - Circulator Harness - <b>Series 2 Only</b>		

## CGt - Series 1 & 2 Gas Control Assembly Parts

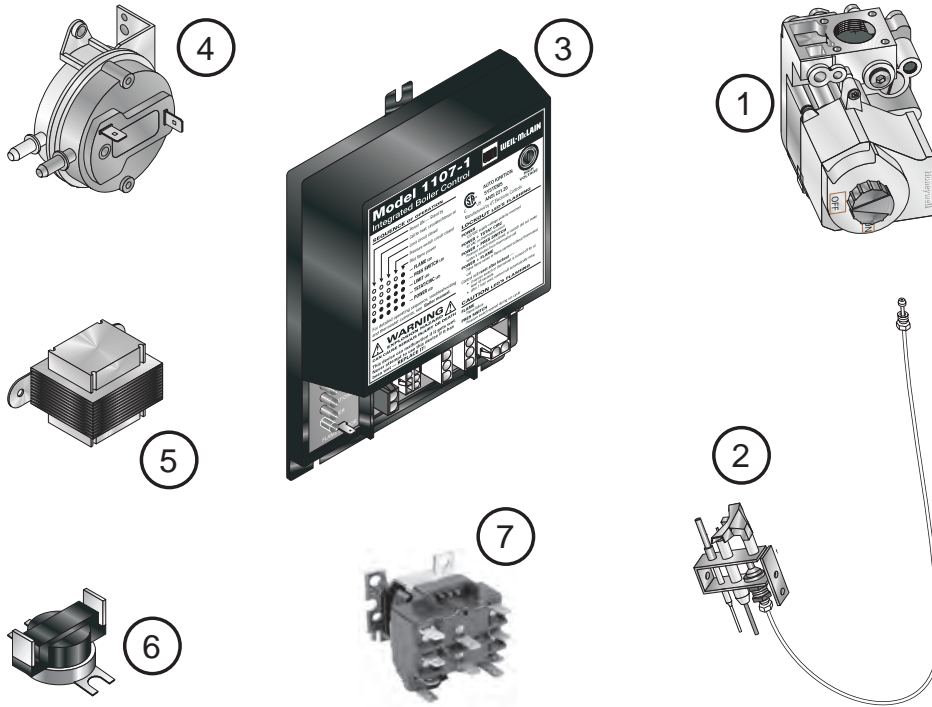


Fig.No.	Part No.	Description	Mfr.	Mfr's. Part No
<b>Natural Gas Parts</b>				
1	511-044-381	Gas Valve, 1/2" x 1/2"	Honeywell	VR8204A2001
			White-Rodgers	36E36-266
2	511-330-080	Pilot Assembly With Orifice & Aluminum Pilot Gas Tubing (Pilot Bracket Sold Separate)	PSE	NA237
<b>LP Gas Parts</b>				
1	511-044-354	Combination Gas Valve, 1/2" x 1/2"	Honeywell	VR8204M2701
2	511-330-081	Pilot Assembly, LP orifice, Tubing, Spark and Sense (Pilot Bracket Sold Separate)	PSE	LP231
<b>Common Parts</b>				
3	511-330-090	Control Module	United Technologies	1107-1
4	511-624-542	Air Pressure Switch, 1.53" W.C.	Tri-Delta	
5	511-842-370	24 Volt Step Down Transformer, 40 VA	Honeywell	AT140B1297
6	540-130-401	Ambient Temperature Switch (Bracket Not Shown); 135° F, Automatic Reset	Therm-O-Disc	60T21 314367
7	510-311-019	Control Relay DPDT 24 Volt - (For Units After CP5952944)	Honeywell	R8222D1014
N/S	590-317-650	Air Pressure Switch Tubing, Red, .12 ID Silicone, 17"	Lydall	
	590-317-651	Air Pressure Switch Tubing, White, .12 ID Silicone, 19"		
	381-356-574	CGt 3-Way Valve Conversion Kit (Includes: Relay, Wire Harness and Instructions) To Convert Unit Prior To CP5952944 To Prevent Heat Migration		
	591-391-903	Wiring Harness J-Box To Module		
	450-003-689	Pilot Bracket, Used For Both Propane and Natural Gas		
	510-811-925	Natural Gas To Propane Conversion Kit - (Includes Gas Valve, Pilot Bracket, Pilot Burner, Orifice, Screws, Labels, and Instructions)		

## CGi - Series 2 & 3 Section Assembly Parts Continued

Fig. No.	Part No.	Description	Mfr.	Mfr.'s Part No.	Boiler Size
4	560-234-500	Tie Rod, 7/16" x 9" Without Nut (3 Required for Boiler)	Weil-McLain		25, 3
	560-234-501	Tie Rod, 7/16" x 12" Without Nut (3 Required for Boiler)	Weil-McLain		4
	560-234-502	Tie Rod, 7/16" x 15" Without Nut (3 Required for Boiler)	Weil-McLain		5
	560-234-503	Tie Rod, 7/16" x 18" Without Nut (3 Required for Boiler)	Weil-McLain		6
	560-234-504	Tie Rod, 7/16" x 21" Without Nut (3 Required for Boiler)	Weil-McLain		7
	560-234-505	Tie Rod, 7/16" x 24" Without Nut (3 Required for Boiler)	Weil-McLain		8
5	561-928-235	Nut, 7/16" (2 Per Tie Rod)	Weil-McLain		All
6	562-248-684	Washer, Lock 7/16" (1 Per Joint)	Weil-McLain		All
7	460-003-700	Radiation Plate (1 Per Joint)	Weil-McLain		All
8	450-000-010	<b>Collector Hood and Transition Assembly Series 2 Only</b>	Weil-McLain		25
	450-000-011		Weil-McLain		3
	450-000-012		Weil-McLain		4
	450-000-013		Weil-McLain		5
	450-00-014		Weil-McLain		6
	450-000-015		Weil-McLain		7
	450-000-016		Weil-McLain		8
	381-354-594		<b>Collector Hood and Transition Assembly Series 3 Only</b>	Weil-McLain	
	381-354-595	Weil-McLain			3
	381-354-596	Weil-McLain			4
	381-354-597	Weil-McLain			5
	381-354-598	Weil-McLain			6
	381-354-599	Weil-McLain			7
	381-354-600	Weil-McLain			8
9	510-312-250	High Limit, 30° Differential With Well	Honeywell	L4090D-1036	All- Series 2
		High Limit, 30° Differential With Well	White-Rogers	11B81-3	
	381-356-577	Temperature Sensor, ½ " N.P.T	Tasseron	TSL055D	All -Series 3
10	381-356-499	Inducer Fan Assembly Kit (Includes: Inducer Fan Assembly, Gasket and Nuts)	Fasco	7062-5326 7021-10410	Series-2
	381-354-588	Inducer Fan Assembly Kit - (Includes Gasket and Instructions)			Series 3
11	590-317-627	Gasket, Inducer	Weil-McLain		All

**Number of burners:**

**CGi-25: 2 burners**

**CGi-3: 2 burners**

**CGi-4: 3 burners**

**CGi-5: 4 burners**

**CGi-6: 5 burners**

**CGi-7: 6 burners**

**CGi-8: 7 burners**

## CGi - Series 2 & 3 Base Assembly Parts

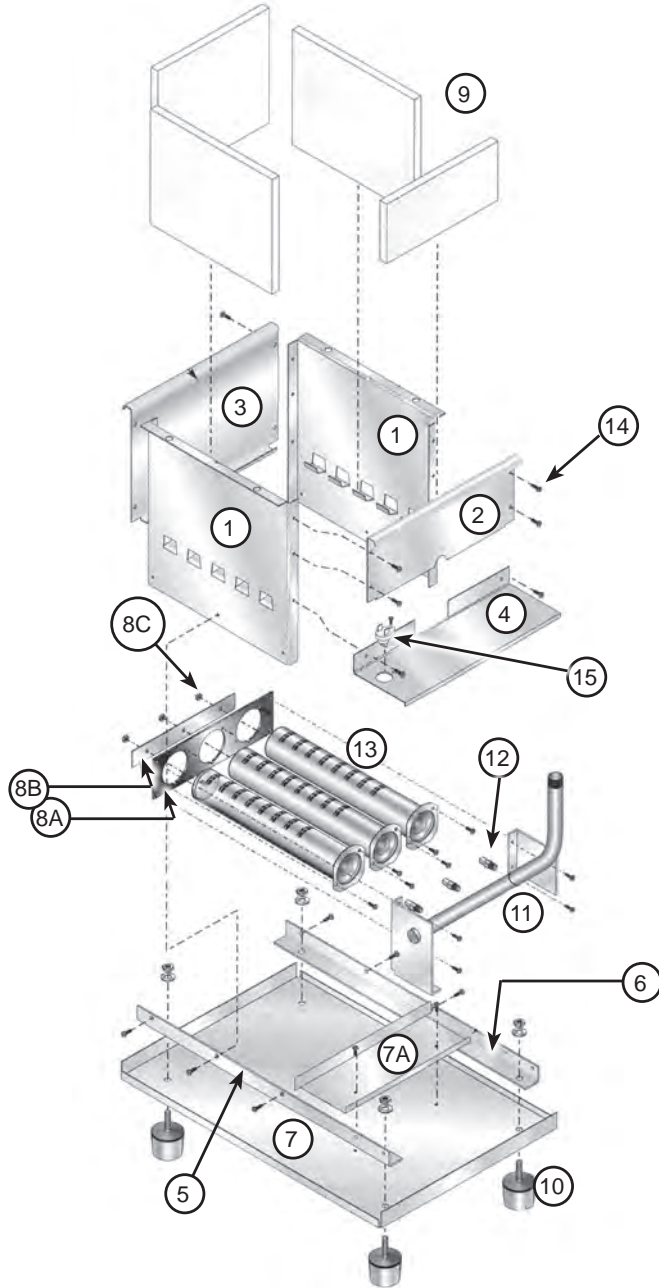


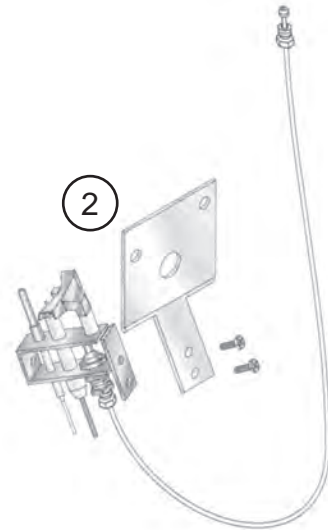
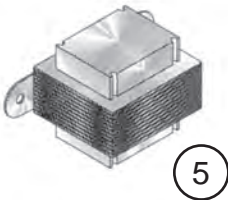
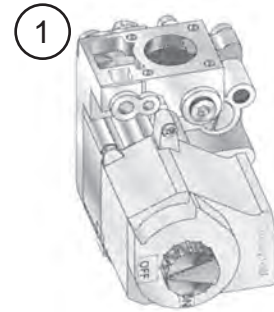
Fig. No.	Part No.	Description	Boiler Size
N/S	381-354-337	Base Assembly Kit (Includes: Base Side Panel, Base Front Cross Tie Assembly, Base Back Cross Tie Assembly, Burner Shield, Base Pan Angle Left And Right Side and Base Pan Baffle)	25, 3
	381-354-338		4
	381-354-339		5
	381-354-340		6
	381-354-341		7
	381-354-342		8
1		Base Side Panel (In Base Assembly Kit)	All
2		Base Front Cross-Tie Assembly (In Base Assembly Kit)	All
3		Base Back Cross-Tie Assembly (In Base Assembly Kit)	All
4		Burner Shield (In Base Assembly Kit)	All
5		Base Pan Angle, Left Side (In Base Assembly Kit)	All

## CGi - Series 2 & 3 Base Assembly Parts Continued

Fig. No.	Part No.	Description	Boiler Size
6		Base Pan Angle, Right Side (In Base Assembly Kit)	All
7		Base Pan (In Base Assembly Kit)	All
7A		Base Pan Air Baffle (In Base Assembly Kit)	All
8A	450-003-690	Burner Mounting Plate	25, 3
	450-003-691		4
	450-003-692		5
	450-003-693		6
	450-003-795		7
	450-003-796		8
8B	550-320-160	Rear Spacing Strip	25, 3
	550-320-161		4
	550-320-162		5
	550-320-163		6
	550-320-164		7
	550-320-165		8
8C	Purchase Locally	Nut, HEX 5mm Zinc Plated	All
9	381-354-330	Base Insulation Kit	25, 3
	381-354-331		4
	381-354-332		5
	381-354-333		6
	381-354-334		7
	381-354-335		8
10	550-320-219	Boiler Leg Kit	All
11	591-126-735	Manifold	25, 3
	591-126-736		4
	591-126-737		5
	591-126-738		6
	591-126-739		7
	591-126-740		8
12	560-529-084	Main Burner Orifice LP Gas 0-1999', 54 Drill, (CGi - 25 - All)	
	560-529-111	Main Burner Orifice LP Gas 0-1999', 1.60 mm, (CGi 3,5,4E Series 2) (CGi 3-5 Series 3)	
	560-529-078	Main Burner Orifice LP gas 0-1999'- 1.65mm , (CGi 4,6-8 Series 2) (CGi 6-8 Series 3)	
	560-529-090	Main Burner Orifice Natural Gas 0-1999', 2.30mm, (CGi-25 - All)	
	560-529-126	Main Burner Orifice Natural Gas 0-1999', 2.55mm, (CGi 3-6,4E Series 2) (CGi 3-5 Series 3)	
	560-529-077	Main Burner Orifice Natural Gas 0-1999' 2.70mm, (CGi 7-8 Series 2) (CGi 6-8 Series 3)	
13	512-200-076	Burner	All
14	Purchase locally	Screw, 10-32 x /38 STP type 23 HEX, Washer Heat Slot	All
15	512-050-230	Rollout Thermal Fuse Element (229°C) (Elmwood Sensors RD226-001 or Microtemp G4AM06 00229C)	All

GAS

## CGi - Series 2 Control Parts



GAS

Fig. No.	Part No.	Description	Mfr.	Mfr.'s Part No.	Boiler Size
<b>Natural Gas Components - Series 2</b>					
1	511-044-381	Gas Valve, ½" x ½"	Honeywell	VR8204A-2001	25, 3, 4, 5, 6
			White-Rogers	36E36-266	
	511-044-353	Gas Valve, ¾" x ¾"	Honeywell	VR8304M-4002	7, 8
		White-Rogers	36C68-478		
	511-044-508	Natural Gas Valve, ½", Two Stage, .9" W.C. Low Fire and 3.5" W.C. High Fire, Low and High Fire Adjustable	Honeywell	R8204Q-2434	4E
2	511-330-080	Pilot Assembly Kit With Orifice and Aluminum Pilot Gas Tubing (Pilot Bracket Sold Separate)	PSE	PSE-NA231	All
<b>Propane Gas Components - Series 2</b>					
1	511-044-354	Gas Valve, ½" x ½"	Honeywell	VR8204M-2701	25, 3, 4, 5, 6
	511-044-355	Gas Valve, ¾" x ¾"	Honeywell	VR8304M-4010	7, 8
	511-044-510	LP Gas Valve, ½", Two Stage, 3.5" W.C. Low Fire, and 10.0" W.C. High Fire, Low and High Fire Adjustable	Honeywell	VR8204Q-2459	4E
2	511-330-081	Pilot Assembly Kit With Orifice and Aluminum Pilot Gas Tubing (Pilot Bracket Sold Separate)	PSE	PSE-LP231	All

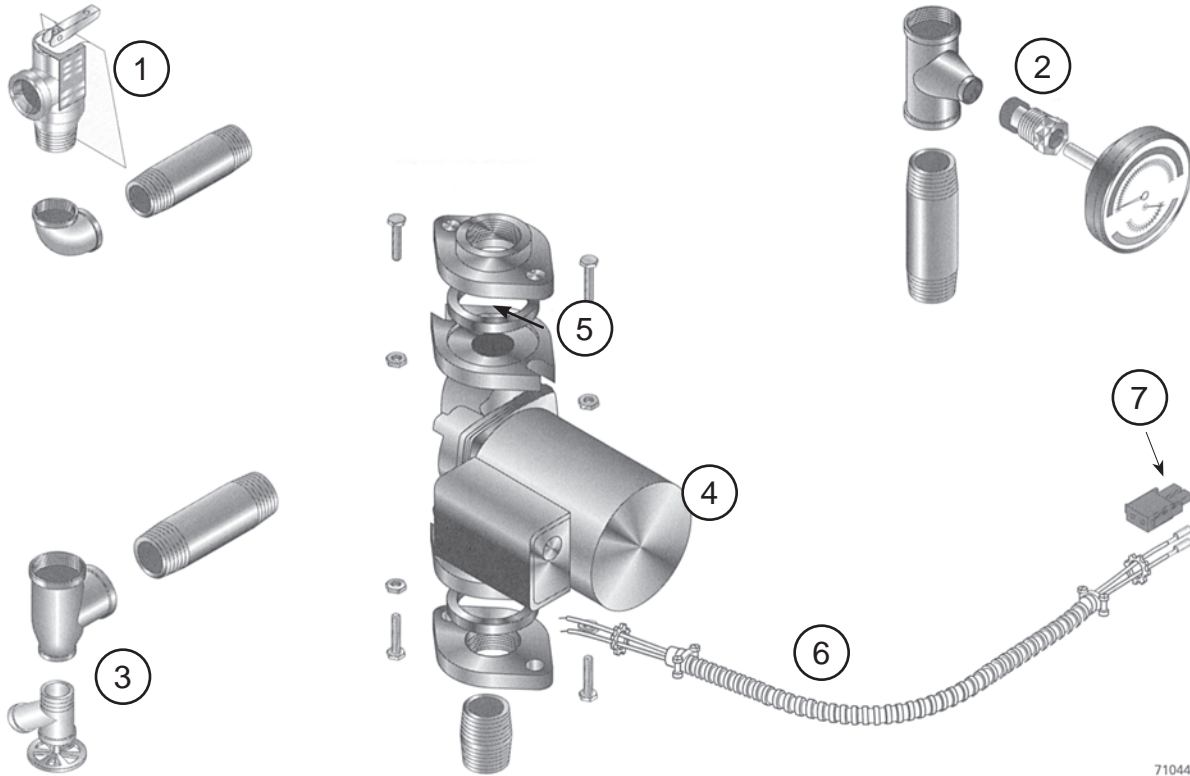
**CGi - Series 3  
Control Parts Continued**

Fig. No.	Part No.	Description	Mfr.	Mfr.'s Part No.	Boiler Size
<b>Natural Gas and Propane Components - Series 3</b>					
N/S	450-003-689	Pilot Bracket			All
	Purchase Locally	Machine Screw, Pan Head Phillips, 10-32 x .19" Zinc Plated (2 Each For Pilot Bracket)			All
	591-391-976	Wiring-Harness Circulator			All
	591-391-989	Wiring Harness, Controls To Module			4
	591-391-978	Wiring Harness, Controls To Module			3,5-8
	591-391-975	Wire Harness, J-box To Control Module			All
	591-392-006	Wiring Harness, Thermostat			All
	591-391-995	Temperature Sensor Wire Harness			All
	591-391-954	Time Delay To Gas Valve Wire Harness			4
6	510-350-468	Delay Timer - 24 v., 60 Second, Delay On Make	ABB	TS12190	4
4	511-624-401	Air Pressure Switch 1.79" W.C.	Tri-Delta	PPS10171-3013	25, 3
	511-624-657	Air Pressure Switch 1.36" W. C.	Cleveland	NS2-1047-09	4
	511-624-303	Air Pressure Switch 1.12" W.C.	Tri-Delta	PPS10171-3095	5
	511-624-304	Air Pressure Switch .80" W.C.	Tri-Delta	PPS10171-3096	6, 8
	511-624-405	Air Pressure Switch .75" W.C.	Tri-Delta	PPS10171-3031	7
5	381-356-578	24 Volt Step Down Transformer, 40 VA	Honeywell	AT140B-1297	All
N/S	590-317-650	Air Pressure Switch Tubing, Red, .12 ID Silicone, 17", To Collector Hood	Manufacturer Rubber Supply		All
	590-317-651	Air Pressure Switch Tubing, White, .12 ID Silicone, 19" To Transition Box	Manufacturer Rubber Supply		All
3	381-330-012	Ignition Control Module Includes Limit Control	U/T	1135-615	All
N/S	381-356-577	Boiler Temperature Sensor, ½" N.P.T	Tasseron	TSD01BW-R	All
	381-356-586	Outdoor Temperature Sensor Kit - (Includes Sensor, Wire Harness, and Instructions)			All
	381-356-585	Zone Interface Harness Kit - (Includes Wire Harness, Cable Clamp, and Instructions)			All
	510-811-260	Natural To LP Conversion Kit CGi			25
	510-811-262				3 & 5
	510-811-264				4
	510-811-266				6
	510-811-268				7 & 8
	510-811-261	LP To Natural Conversion Kit CGi			25
	510-811-263				3 & 5
	510-811-265				4
	510-811-267				6
	510-811-269				7 & 8

GAS



## CGi - Series 2 & 3 Water Trim Parts



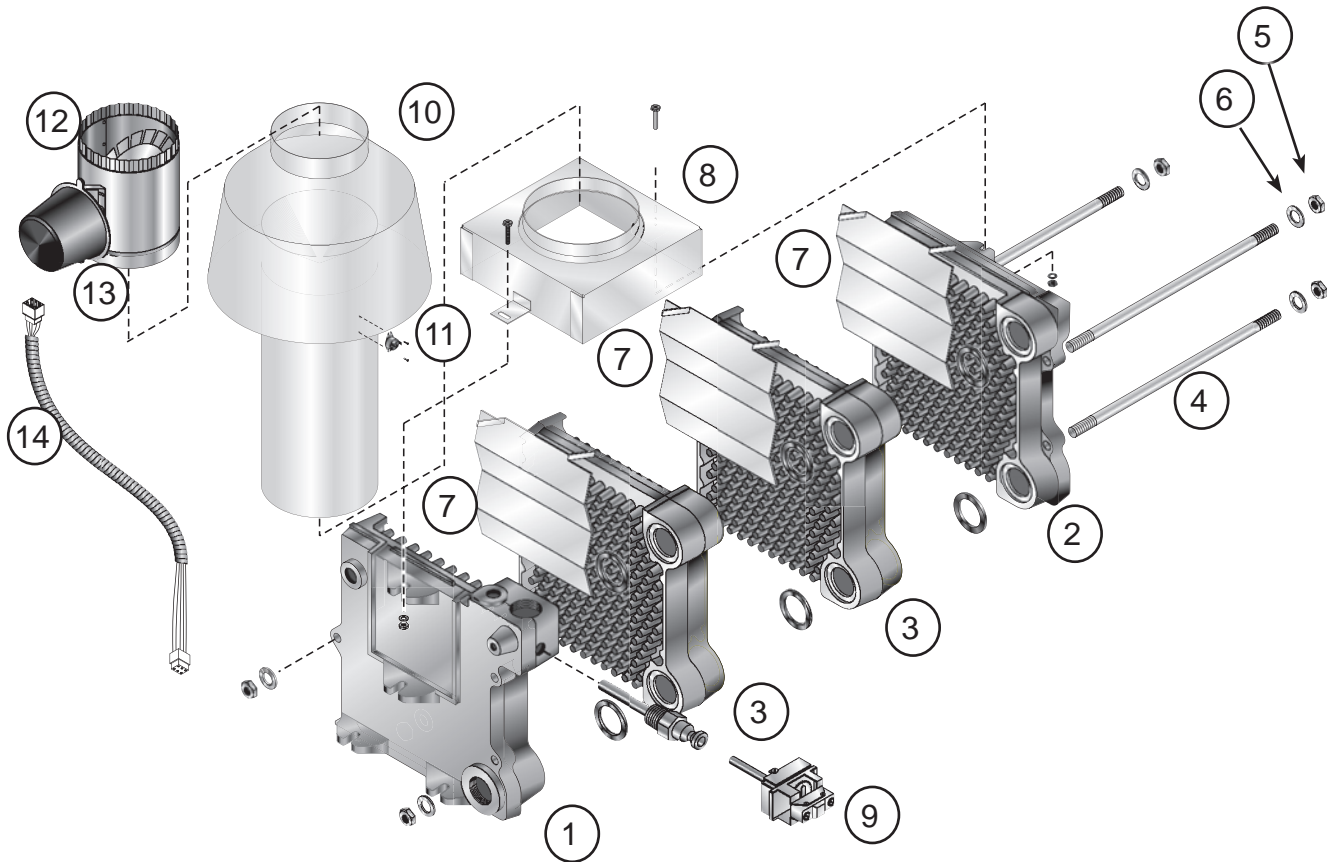
71044

Fig. No.	Part No.	Description	Mfr.	Mfr.'s Part No.	Boiler Size
1	383-500-095	Pressure Relief Valve, ASME, 30 PSIG, 3/4" Male Inlet*	Conbraco	10-407-05	All
			Watts	M330	
2	380-000-000	Combination Pressure-Temperature Gauge kit, 60° - 360° F, 0 - 75 PSI, 3 1/8" Dia., 1/4" N.P.T., Short Shank, With 1/4" x 1/2" Reducing Bushing	Weil-McLain		All
3	511-210-423	Drain Valve, 3/4"	Conbraco	31-606-01	All
	511-246-392	Drain Valve, 3/4"	Nibco	74	All
			Matco-Rorca		All
4	511-405-113	Circulator*	Taco	007	All
5	590-317-535	Circulator Gasket, Universal (2 Per Boiler)	Weil-McLain		All
N/S	381-354-530	Circulator Hardware Kit (Includes: 1 Flange, 1 Gasket, 2 Nuts, 2 Screws - 3/4" N.P.T.)	Weil-McLain		25
	381-354-525	Circulator Hardware Kit (Includes: 1 Flange, 1 Gasket, 2 Nuts, 2 Screws - 1" N.P.T.)	Weil-McLain		3, 4, 5
	381-354-526	Circulator Hardware Kit (Includes: 1 Flange, 1 gasket, 2 Nuts, 2 Screws - 1 1/4" N.P.T.)	Weil-McLain		6, 7
	381-354-531	Circulator Hardware Kit (Includes: 1 Flange, 1 gasket, 2 Nuts, 2 Screws - 1 1/2" N.P.T.)	Weil-McLain		8
6	381-356-528	Circulator Wiring Harness Kit With Molex (Series 2)	Weil-McLain		All
	591-391-976	Circulator Wiring Harness Kit With Molex (Series 3)	Weil-McLain		All
7	563-210-632	Red Male Connector - Circulator Harness	Weil-McLain		All

\* Pipe fittings available locally.

# NOTES

## CGa - Series 1 & 2 Section Assembly Parts



GAS

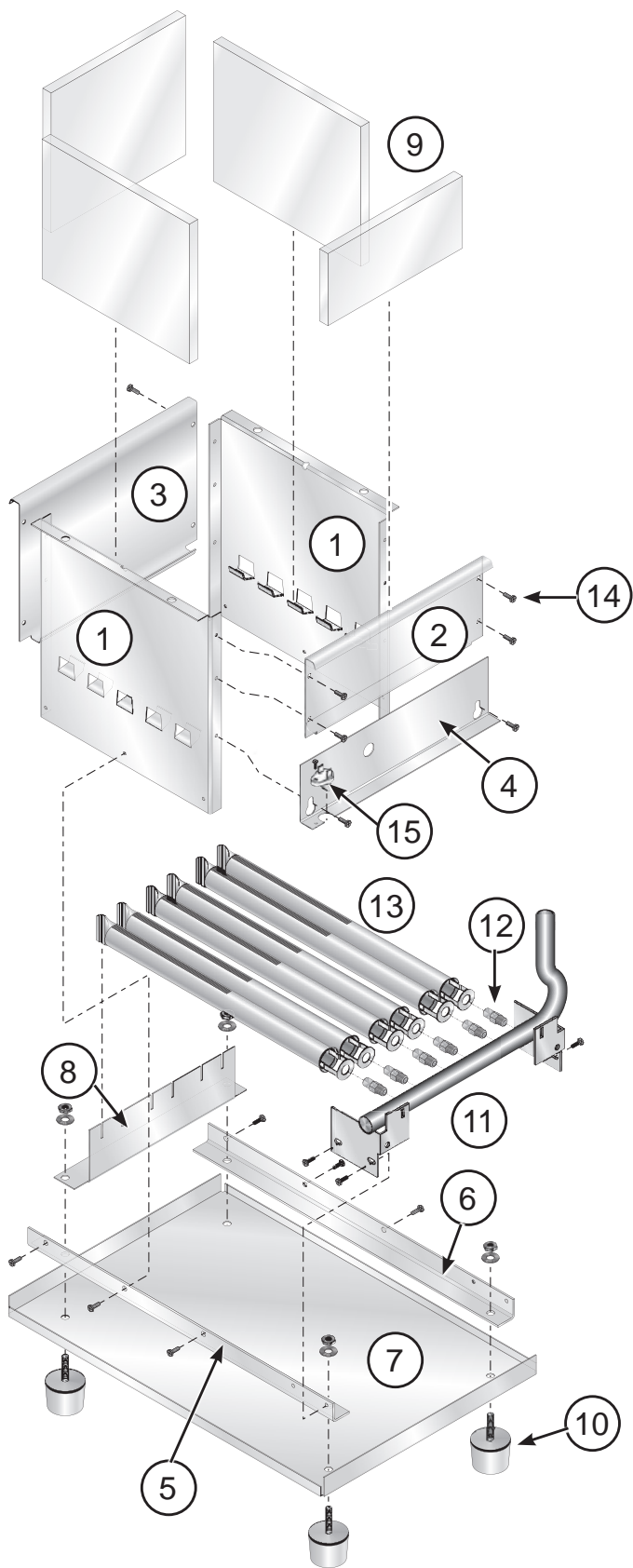
Fig. No.	Part No.	Description	Mfr.	Mfr.'s Part No.	Boiler Size	
1	311-103-850	End Section, Left Hand, Cast #51124	Weil-McLain		All	
2	311-103-821	End Section, Right Hand, Cast #51128	Weil-McLain		All	
3	311-103-818	Intermediate Section, Cast #51125	Weil-McLain		All	
N/S	321-114-286	Replacement Section Assembly - (Series 1 <b>ONLY</b> ) With Well	Weil-McLain		25, 3	
	321-114-287				4	
	321-114-288				5	
	321-114-289				6	
	321-114-290				7	
	321-114-291				8	
	321-114-345	Replacement Section Assembly - (Series 2 <b>ONLY</b> ) Without Well	Weil-McLain		25, 3	
	321-114-346				4	
	321-114-347				5	
	321-114-348				6	
	321-114-349				7	
	321-114-350			8		
		381-354-527	Section Replacement Kit (Includes: Seals and Sealant for (1) Joint)	Weil-McLain		All
		591-608-915	Retort Cement - ½ Pint Can			All

## CGa - Series 1 & 2 Section Assembly Parts Continued

Fig. No.	Part No.	Description	Mfr.	Mfr.'s Part No.	Boiler Size
4	560-234-500	Tie Rod, 7/16" x 9" Without Nut (3 Required for Boiler)	Weil-McLain		25, 3
	560-234-501	Tie Rod, 7/16" x 12" Without Nut (3 Required for Boiler)	Weil-McLain		4
	560-234-502	Tie Rod, 7/16" x 15" Without Nut (3 Required for Boiler)	Weil-McLain		5
	560-234-503	Tie Rod, 7/16" x 18" Without Nut (3 Required for Boiler)	Weil-McLain		6
	560-234-504	Tie Rod, 7/16" x 21" Without Nut (3 Required for Boiler)	Weil-McLain		7
	560-234-505	Tie Rod, 7/16" x 24" Without Nut (3 Required for Boiler)	Weil-McLain		8
5	561-928-235	Nut, 7/16" (2 Per Tie Rod)	Weil-McLain		All
6	562-248-684	Washer, lock 7/16" (1 Per Joint)	Weil-McLain		All
7	460-003-700	Radiation Plate (1 Per Joint)	Weil-McLain		All
8	381-354-625	Collector Hood	Weil-McLain		25
	381-354-626				3
	381-354-627				4
	381-354-628				5
	381-354-629				6
	381-354-630				7
	381-354-631				8
9	510-312-250	High Limit, 140-220° F With 30° Differential and ½" N.P.T. Well, (Series 1 <b>ONLY</b> )	Honeywell	L4090D-1036	All
			White-Rogers	11B81-3	
	381-356-577	Boiler Temperature Sensor - (Series 2 <b>ONLY</b> )	Tasseron	TSL055D	All
10	450-021-240	Draft Hood 4" - Top And Bottom Openings	Weil-McLain		25
	450-021-241	Draft Hood 4" - Top, 5" Bottom Opening			3
	450-021-242	Draft Hood 5" - Top, 6" Bottom Opening			4
	450-021-243	Draft Hood 6" - Top, 7" Bottom Opening			5
	450-021-244	Draft Hood 6" - Top, 7" Bottom Opening			6
	450-021-245	Draft Hood 7" - Top, 8" Bottom Opening			7
	450-021-246	Draft Hood 7" - Top, 8" Bottom Opening			8
11	510-300-013	Spill Switch 210° F, Manual Reset	Elmwood Sensors	2455RM-8174-0201	25
	510-300-014	Spill Switch 240° F, Manual Reset	Elmwood Sensors	2455RM-8050-0181	3-8
12	381-800-474	Vent Damper Assembly, 4", CGa-25, 3	Field Controls	GVD-4	
			Effikal	RVGP-KS-4BKF	
	381-800-475	Vent Damper Assembly, 5", CGa-4	Field Controls	GVD-5	
			Effikal	RVGP-KS-5BKF	
	381-800-476	Vent Damper Assembly, 6", CGa-5, 6	Field Controls	GVD-6	
			Effikal	RVGP-KS-6BKF	
	381-800-477	Vent Damper Assembly, 7", CGa-7, 8	Field Controls	GVD-7	
			Effikal	RVGP-KS-7BKF	
13	510-512-337	Vent Damper Actuator	Effikal	RVGP	All
			Field Controls	GVD	
14	591-391-795	Vent Damper Harness	Weil-McLain		All

GAS

# CGa - Series 1 & 2 Base Assembly



GAS

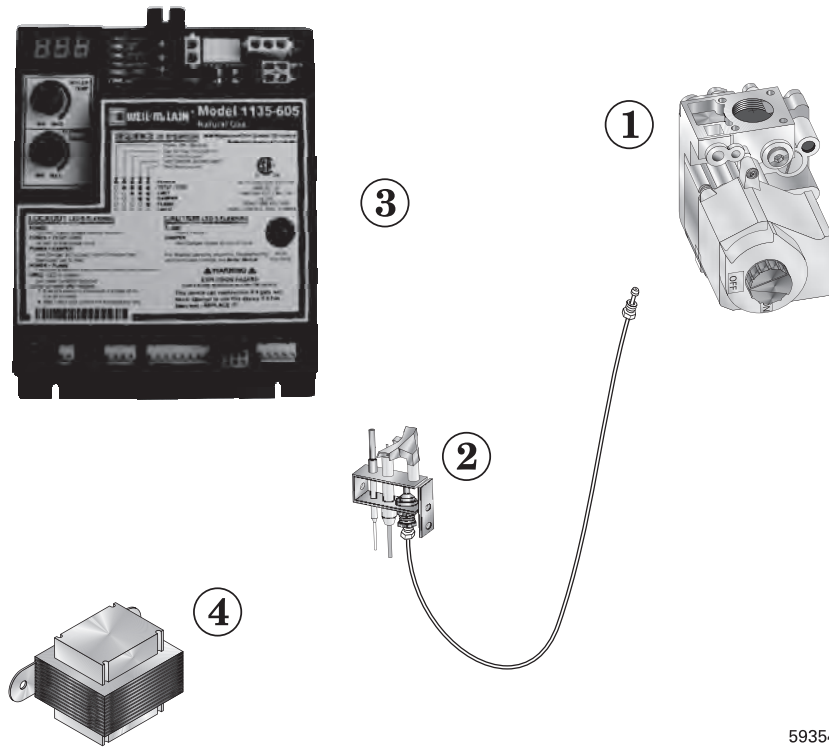
CGa - Series 1  
Control Parts Continued

<b>CGa - Series 1 Continued</b>					
Fig. No.	Part No.	Description	Mfr.	Mfr.'s Part No.	Boiler Size
N/S	560-742-859	Tubing, Aluminum From Gas Valve to Regulator, ¼" x 3" 90°	Weil-McLain		25, 3
	562-302-017	Adapter, Male ⅛" x 7/16"-24, From Regulator to Pilot Gas Line	Weil-McLain		25, 3
<b>Standing Pilot Conversion Kits</b>					
<b>These Kits Will Retrofit CG/CGM - Series 4 Thru 12</b>					
N/S	510-811-363	Conversion Kit: Natural To Propane CGa 7-8 (Standing Pilot Only)	Weil-McLain		
	510-811-356	Conversion Kit: Propane To Natural CGa 25-6 (Standing Pilot Only)	Weil-McLain		
	510-811-357	Conversion Kit: Propane To Natural CGa 7-8 (Standing Pilot Only)	Weil-McLain		
	510-811-362	Conversion Kit: Natural To Propane CGa 25-6 (Standing Pilot Only)	Weil-McLain		
<b>Spark Ignition Components For Natural Gas</b>					
<b>Spark Ignition Cannot Be Used With Propane Gas For Series 1</b>					
6	511-044-381	Gas Valve, ½" x ½"	Honeywell	VR8204A-2001	25-6
			White-Rogers	36E36-266	
			Grayson Control	7200IPER 7D1-D5B-029	
	511-044-382	Gas Valve, ¾" x ¾"	Honeywell	VR8304P-4348	7, 8
White-Rogers			36C74-474		
7	511-330-218	Pilot Assembly Kit With Orifice, Aluminum Pilot Gas Tubing, And Spark Wire and Sense Wire	PSE	PSE-NA16	All
8	511-330-079	Ignition Control Module	United Technologies	1107-2	All
9	511-842-370	24 Volt Step Down Transformer, 40 VA	Honeywell	AT140B-1297	All
			Basler Electric	BE111640GDD	
N/S	591-391-900	Wire Harness, Power Supply	Weil-McLain		All
	591-391-905	Wire Harness, Spark Ignition, Controls	Weil-McLain		All

GAS

## CGa - Series 2 Control Parts

### Spark-ignited pilot controls



59354

GAS

CGa - Series 2					
Fig. No.	Part No.	Description	Mfr.	Mfr.'s Part No.	Boiler Size
<b>Spark Ignition Components For Natural Gas</b>					
1	511-044-381	Gas Valve, ½" x ½",	Honeywell	VR8204A-2001	25-6
			Grayson	7D1-D5B-029	
			White Rodgers	36E36-266	
	511-044-382	Gas Valve, ¾" x ¾", 1.2" Step Open	Honeywell	VR8304P-4348	7, 8
		White Rodgers	36C74-474		
2	511-330-218	Pilot Assembly Kit - (Includes, Orifice, and Pilot Tubing)	PSE	NA16	All
3	381-330-010	Ignition Control Module - Includes Limit Control	U/T	1135-605	All
N/S	591-391-995	Wire Harness, Temperature Sensor	Weil-McLain		All
<b>Spark Ignition Components For Propane Gas</b>					
1	511-044-356	Gas Valve ¾" X ¾" - 2.5" Step Open	Honeywell	VR8304P-4330	25-7
	511-044-366	Gas Valve ¾" X ¾" - Slow Open		VR8304K-4822	8
2	511-330-273	Pilot Assembly Kit - (Includes Orifice, and Pilot Tubing)	PSE	LP16	All
3	381-330-011	Ignition Control Module - Includes Limit Control	U/T	1135-606	All
N/S	591-391-000	Wire Harness, Temperature Sensor	Weil-McLain		All

CGa - Series 2  
Control Parts Continued

<b>CGa - Series 2</b>					
Fig. No.	Part No.	Description	Mfr.	Mfr.'s Part No.	Boiler Size
<b>Common Components For Both Natural and Propane Gas</b>					
N/S	381-356-577	Boiler Temperature Sensor, ½" N.P.T	Tasseron	TSD01BW-R	All
4	381-356-578	Control Transformer, 24 Volt, 40 VA	Honeywell	AT140B90-43B	All
N/S	591-391-975	Wire Harness, Power, J Box To Module	Weil-McLain		All
	591-391-976	Circulator Harness	Weil-McLain		All
	591-392-006	Thermostat Harness	Weil-McLain		All
	591-391-977	Wire Harness, Controls To Module	Weil-McLain		All
	512-050-230	Rollout Fuse Element, 228° C.	Elmwood	RD226-001	All
			Micro Temp	G4AM0600229C	
	510-300-013	Spill Switch, 210° F, Manual Reset	Elmwood	8174-0201	25
510-300-014	Spill Switch, 240° F, Manual Reset	Elmwood	8050-0181	3-8	
<b>Series 2 Only - Conversion Kits</b>					
N/S	510-811-938	Natural Gas To Propane - (Includes, Gas Valve, Orifices, Burner With Pilot Bracket, Temperature Sensor Wire Harness, Pilot Assembly With Tubing, Module-1135-606, Bushing-¾" x ½" N.P.T, Hardware, Labels, and Instructions)	Weil-McLain		25-7
	510-811-939	Natural Gas To Propane - (Includes, Gas Valve, Orifices, Burner With Pilot Bracket, Temperature Sensor Wire Harness, Pilot Assembly With Tubing, Module -1135-606, Hardware, Labels, and Instructions)	Weil-McLain		8
	510-811-942	Propane To Natural Gas - (Includes, Gas Valve, Orifices, Burner With Pilot Bracket, Temperature Sensor Wire Harness, Pilot Assembly With Tubing, Module -1135-605, Hardware, Labels, and Instructions)	Weil-McLain		25-6
	510-811-943	Propane To Natural Gas - (Includes, Gas Valve, Orifices, Burner With Pilot Bracket, Temperature Sensor Wire Harness, Pilot Assembly With Tubing, Module -1135-605, Hardware, Labels, and Instructions)	Weil-McLain		7-8
<b>Series 2 Only - Control Kits</b>					
N/S	381-356-586	Outdoor Temperature Sensor Kit - (Includes Sensor, Wire Harness, and Instructions)			All
	381-356-585	Zone Interface Harness Kit - (Includes Wire Harness, Cable Clamp, and Instructions)			All
	383-500-125	Outdoor Sensor - 30/50° C, 12 Kohms			

GAS



## CGa - Series 1 Jacket Assembly Parts

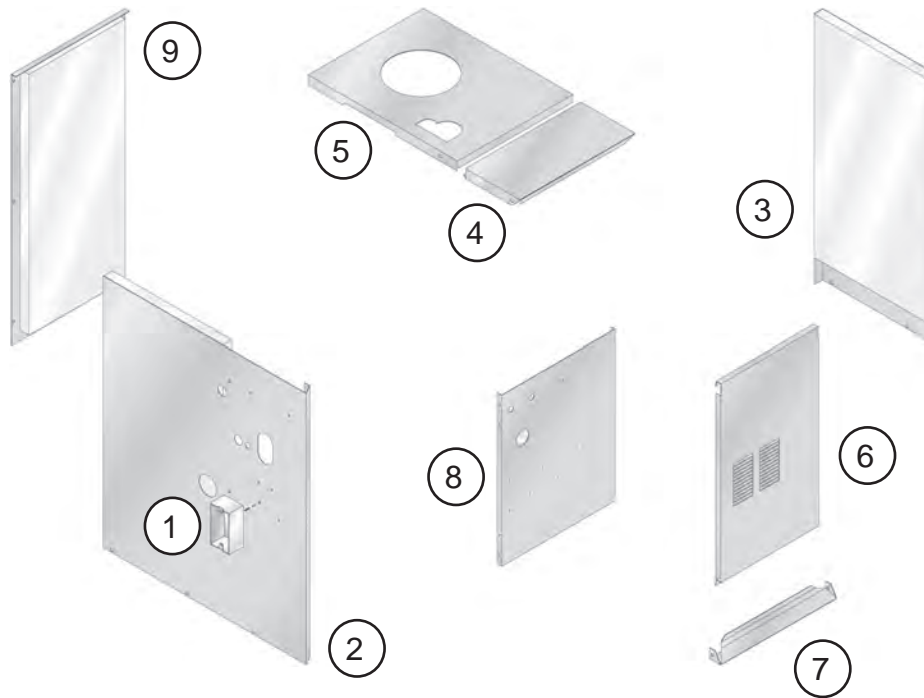


Fig. No.	Part No.	Description	Boiler Model
1	Available Locally	Junction box, 2 x 4	CGa 25-8
2	381-355-400	Panel, Left Side, With Insulation (Natural Gas Standing Pilot)	CGa-25
	381-355-407		CGa-3
	381-355-410		CGa-4
	381-355-417		CGa-5
	381-355-424		CGa-6
	381-355-431		CGa-7
	381-355-438		CGa-8
	381-355-445		CGa-25
	381-355-448	CGa-3	
	381-355-451	CGa-4	
	381-355-454	Panel, Left Side, With Insulation (Propane Gas Standing Pilot)	CGa-5
	381-355-457		CGa-6
	381-355-460		CGa-7
	381-355-463		CGa-8
	381-355-466	Panel, Left Side, With Insulation (Natural Gas Spark Ignition)	CGa-25
	381-355-470		CGa-3
	381-355-473		CGa-4
	381-355-477		CGa-5
	381-355-481		CGa-6
	381-355-485		CGa-7
381-355-489	CGa-8		

## EG - Series 1 Through 5 Section / Base Assembly Parts

Fig. No.	Part No.	Description	Boiler Series
N/S	381-800-667	Section Replacement Kit (Includes: (1) 3" and 6" Elastomer Seal, 2 Pieces ¼" Rope Seal, 1-2.8 oz Tube of Silicone) Order 1 Kit Per Joint Between Sections	1-5
	592-800-010	3" Dia. Bottom Elastomer Seal (1 Per Joint)	1-5
	592-800-007	6" Dia. Top Elastomer Seal (1 Per Joint)	1-5
	590-735-122	Sealer For Sections (¼" Rope- 22¾" Length ) 2 Pieces Required.	1-5
	513-000-002	Silicone ( High temperature--2.8oz )--Used To Attach Rope Seal	1-5
	560-234-470	½" x 14" Tie Rod Without Nut (2 Per Boiler): EG, P-EG-30,35	1-5
	560-234-475	½" x 18½" Tie Rod Without Nut (2 Per Boiler): EG, P-EG-40,45	1-5
	560-234-480	½" x 22¾" Tie Rod Without Nut (2 Per Boiler): EG, P-EG-50,55	1-5
	560-234-485	½" x 27" Tie Rod Without Nut (2 Per Boiler): EG-65	1-5
	560-234-490	½" x 31¼" Tie Rod Without Nut (2 Per Boiler): EG-75	1-5
	561-928-221	½" Hex Nut (2 Per Tie Rod)	1-5
	562-248-668	½" Split Lock Washer (1 Per Tie Rod)	1-5
	591-602-913	Retort Cement (1 Quart)	1-5
	591-706-214	Flue brush, 124 DMG 42" Long	1-5
	D	450-021-255	Draft Hood: EG, P-EG- 30 ( 9⅝" Left To Right Dimension )
450-021-256		Draft Hood: EG, P-EG- 35 ( 9⅝" Left To Right Dimension )	1-5
450-021-257		Draft Hood: EG, P-EG- 40 ( 13⅞" Left To Right Dimension )	1-5
450-021-258		Draft Hood: EG, P-EG- 45 ( 13⅞" Left To Right Dimension )	1-5
450-021-259		Draft Hood: EG, P-EG- 50 ( 18⅞" Left To Right Dimension )	1-5
450-021-260		Draft Hood: EG, P-EG- 55 ( 18⅞" Left To Right Dimension )	1-5
450-021-261		Draft Hood: EG-65 ( 22-7/16" Left To Right Dimension )	1-5
450-021-262		Draft Hood: EG-75 ( 26-11/16" Left To Right Dimension )	1-5
E	450-014-733	Collector Hood: EG, P-EG-30, 35 ( 9½" Left To Right Dimension )	1-5
	450-014-734	Collector Hood: EG, P-EG-40, 45 ( 13¾" Left To Right Dimension )	1-5
	450-014-735	Collector Hood: EG, P-EG-50, 55 ( 18" Left To Right Dimension )	1-5
	450-014-736	Collector Hood: EG-65 ( 22¼" Left To Right Dimension )	1-5
	450-014-737	Collector Hood: EG-75 ( 26½" Left To Right Dimension )	1-5
H	451-800-000	Front Base Panel: EG, P-EG-30, 35	1-5
	451-800-001	Front Base Panel: EG, P-EG-40, 45	1-5
	451-800-002	Front Base Panel: EG, P-EG-50, 55	1-5
	451-800-003	Front Base Panel: EG-65	1-5
	451-800-004	Front Base Panel: EG-75	1-5
I	451-800-010	Back Base Panel: EG, P-EG-30, 35	1-5
	451-800-011	Back Base Panel: EG, P-EG-40, 45	1-5
	451-800-012	Back Base Panel: EG, P-EG-50, 55	1-5
	451-800-013	Back Base Panel: EG-65	1-5
	451-800-014	Back Base Panel: EG-75	1-5

GAS

## EG - Series 1 Through 5 Section / Base Assembly Parts Continued

Fig. No.	Part No.	Description	Boiler Series
I <sub>2</sub>	451-800-020	Back Base Channel: EG, P-EG 30, 35	1-5
	451-800-021	Back Base Channel: EG, P-EG 40-45	1-5
	451-800-022	Back Base Channel: EG, P-EG 50, 55	1-5
	451-800-023	Back Base Channel: EG, P-EG-65	1-5
	451-800-024	Back Base Channel: EG, P-EG-75	1-5
H <sub>1</sub>	510-811-660	Base Insulation Kit (Includes: Front And Rear Base Panel Insulation, 4oz- Water Glass and Boiler Cement-½ Pint)	1-5
H <sub>2</sub>	451-800-040	Base Front Access Panel With Flame Rollout Switch Bracket: EG, P-EG-30, 35	1-5
	451-800-041	Base Front Access Panel With Flame Rollout Switch Bracket: EG, P-EG-40, 45	1-5
	451-800-039	Base Front Access Panel With Flame Rollout Switch Bracket: EG, P-EG-50	1-5
	451-800-042	Base Front Access Panel With Flame Rollout Switch Bracket: EG, P-EG-55	1-5
	451-800-043	Base Front Access Panel With Flame Rollout Switch Bracket: EG-65	1-5
	451-800-044	Base Front Access Panel With Flame Rollout Switch Bracket: EG-75	1-5
H <sub>3</sub>	451-800-085	Back Burner Support: EG, P-EG-30	1-5
	451-800-086	Back Burner Support: EG, P-EG-35	1-5
	451-800-087	Back Burner Support: EG, P-EG-40	1-5
	451-800-088	Back Burner Support: EG, P-EG-45	1-5
	451-800-089	Back Burner Support: EG, P-EG-50	1-5
	451-800-090	Back Burner Support: EG, P-EG-55	1-5
	451-800-092	Back Burner Support: EG, P-EG-65	1-5
	451-800-094	Back Burner Support: EG, P-EG-75	1-5
L <sub>1</sub>	389-900-103	Cover Plate For Heater Opening (Rectangular) Includes 8 Studs, Nuts and Gasket	1-5
L <sub>2</sub>	590-317-579	Gasket For Cover Plate (Rectangular)	1-5
L <sub>3</sub>	389-900-101	Cover Plate For Heater Opening (Round) Includes 6 Studs, Nuts and Gasket	1-5
L <sub>4</sub>	590-317-495	Gasket For Cover Plate (Round)	1-5
F	512-200-000	Burner, Stainless Tube, Regular (See Note 2)	1-5
F <sub>1</sub>	512-200-001	Burner, Stainless Tube With Pilot Bracket: PI System (All Sizes)	5
	512-200-001	Burner, Stainless Tube With Pilot Bracket: "PI" Systems (All Sizes); "SPL" Systems (All Sizes); "SPN" Systems (EG-75 Only) Stainless (See Note 2)	1-4
	512-200-002	Burner, Steel Tube With Pilot Bracket: "SPN" Systems (EG, P-EG-30-65 Only) Stainless	1-4
N/S	560-528-987	Main Burner Orifice, Natural Gas, 2.45mm (See Note 1)	1-5
	560-528-988	Main Burner Orifice, Propane Gas, 1.55mm - <b>(NO L/P For Series 5)</b>	1-4
J	451-800-070	Base Side Rail (2 Required)	1-5
N/S	560-340-577	Tankless Heater Nut and Stud	1-5

## EG - Series 1 Through 5 Steam Trim / Control Parts

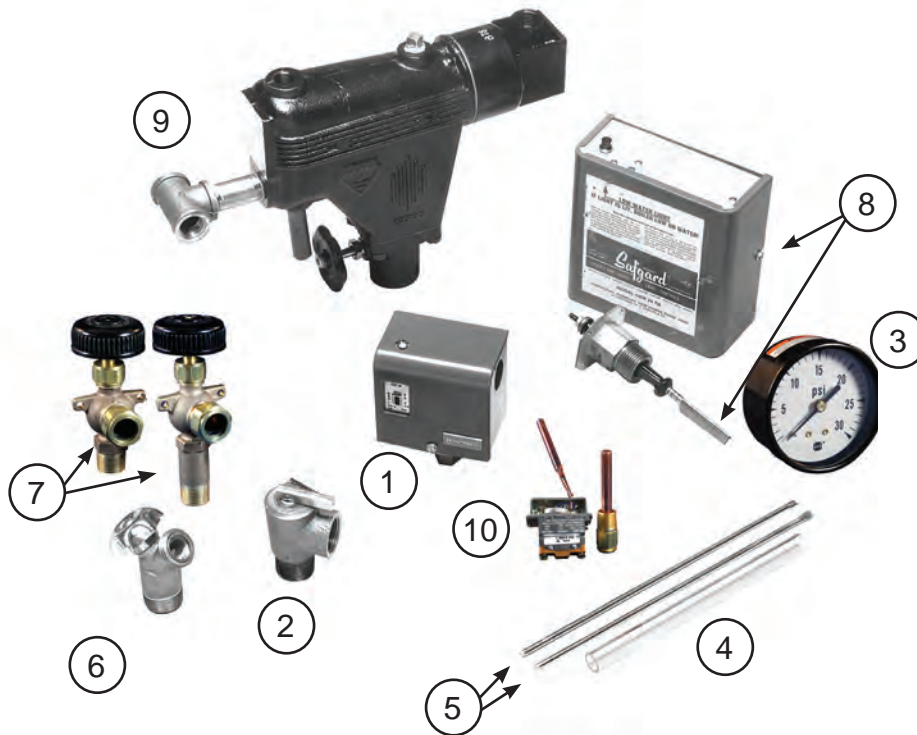


Fig. No.	Part No.	Description	Mfr.	Mfr.'s Part No.
1	510-312-135	High Pressure Limit Control (SPST, Automatic Recycle, 0-15 PSIG Range, 1-5 PSIG Differential, ¼" N.P.T. Bottom Connection)	Honeywell PA404A1009	
2	383-600-106	ASME Steam Relief Valve (Set To Relieve At 15 PSIG, ¾" N.P.T. Male Inlet) 375 lbs Per Hour Rating	Conbraco Watts	13-511-08 315
3	510-218-045	Steam Pressure Gauge (0-3- PSIG, 2½" Dial, ¼" N.P.T. Male Inlet)	Ametek	P505K 1437
4	383-600-000	Water Gauge Glass Kit (⅝" X 7⅝" With Gaskets and Brass Washers)	Weil-McLain	
5	563-334-580	Water Gauge Glass Guard (3/16" X 9⅜" (Set of 2))	Weil-McLain	
6	511-210-423	Drain Valve, ¾" N.P.T., 1½" Shank	Conbraco	31-606-01
N/S	590-921-903	Tankless Heater Steam Boiler (Includes: Heater, Gasket, Nuts and Studs) For EG-35 Thru EG-75		
<b>Water Gauge Glass Cocks For Electrode Type Low Water Cut-Off</b>				
7	510-218-145	Water Gauge Glass Cocks, ½" N.P.T. Male Inlet (Set of 2)	Conbraco	21-205-03-B55
<b>Water Gauge Glass Cocks For # 67 Float Type Low Water Cut-Off</b>				
7	510-218-135	Water Gauge Glass Cocks, ½" N.P.T. Male Inlet (Set of 2)	Conbraco	20-205-03-B15
<b>Electrode Type Low Water Cut-Off Components</b>				
8	510-811-403	Low Water Cut-Off, Electrode Type, SPDT, 24 Volt, ¾" Male N.P.T, With Instructions, Adapter, and Bushing	Hydrolevel	45-400
N/S	540-130-962	Wire Harness, Probe LWCO Only	Weil-McLain	
	560-640-696	90° Syphon, ¼" N.P.T., Brass	Metalloy	L32239

EG - Series 1 Through 5  
Steam Trim / Control Parts Continued

Fig. No.	Part No.	Description	Mfr.	Mfr.'s Part No.
<b>Float Type Low Water Cut-Off Components For EG Steam Boilers</b>				
9	511-114-494	Float Type Low Water Cut-Off (SPDT, Automatic Recycle, 15 PSIG Rated, 24 or 120 Volt Contact Rating, ½" N.P.T. With Quick Hook-up Fittings) For EG Steam Except Millivolt	McDonnell-Miller	67W-1
N/S	540-130-961	Wire Harness, Float LWCO Only	Weil-McLain	
<b>Control Components For Steam Boiler With Tankless Heater</b>				
10	510-312-250	Operating Temperature Control (SPST, Automatic Recycle, 140-250°F Range, With ¾" N.P.T. Control Well, 10° Fixed Subtractive Differential)	Honeywell	L4080D1250
N/S	511-330-097	Ignition Control Module Without Molex	United Technology	1003-511
	510-312-166	Combination Transformer-Relay Receptacle, 120/24 VAC, 40 VA	White Rodgers	91-112006-11000

## EGH - Series 5 Intermittent Ignition Parts

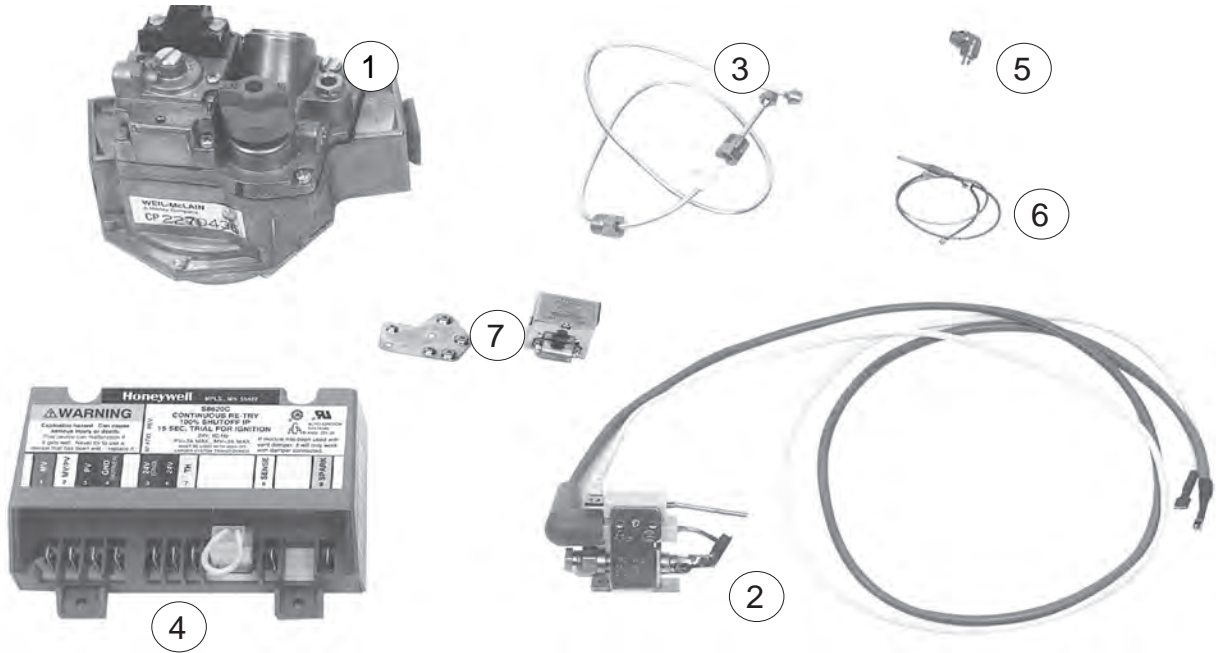


Fig. No.	Part No.	Description	Mfr	Mtr.'s Part No	EGH Series 4 Boiler Size				
					85	95	105	115	125
1	511-044-286	*Combination Gas Control Valve, ¾" x 1"N.P.T., 24 Volt	Robertshaw	7000DER-HC-S7C-5R1-501-723	X	X			
	511-044-287	*Combination Gas Control Valve, 1" x 1"N.P.T., 24 Volt	Robertshaw	7000FTHC-S7C-5N6-501-723			X	X	X
2	511-330-242	NG PIN Pilot Burner Assembly, With 34" Tubing, Pilot Burner, Orifice, Sensing Lead, Ignition Cable, and ¼" Adapter	PSE	PSE-NA16	X	X	X	X	X
3	560-742-865	Pilot Tubing Aluminum ⅛" OD x 34" Long ,With Compression Fittings	Weil-McLain		X	X	X	X	X
4	511-330-097	Ignition Control Module Without Molex 24 Volt	United Technologies	1003-611A	X	X	X	X	X
				1003-511					
N/S	540-130-966	Wiring Harness (In Envelope Assembly) For Water Boilers Without Tankless Heater Only	Weil-McLain		X	X	X	X	X
	540-130-969	Wiring Harness (In Envelope Assembly) For Water Boilers With Tankless Heater Only	Weil-McLain		X	X	X	X	X
	540-130-967	Wiring Harness (In Envelope Assembly) For Steam Boilers With Float LWCO Only	Weil-McLain		X	X	X	X	X
	540-130-968	Wiring Harness (In Envelope Assembly) For Steam Boilers With Probe LWCO Only	Weil-McLain		X	X	X	X	X
	510-811-390	Natural To Propane Conversion Kit EGH 85-95 only	Weil-McLain		X	X			
	510-811-391	Natural To Propane Conversion Kit EGH 105-125 only	Weil-McLain				X	X	X

**\*Combination gas valve Includes: manual gas cock, redundant gas valves, main pressure regulator, pilot take-off with filter, pilot adjustment**

## EGH - Series 5 Intermittent Ignition LP Gas Parts

Fig. No.	Part No.	Description	Mfr	Mfr.'s Part No	EGH Series 4 Boiler Size				
					85	95	105	115	125
N/S	511-246-320	¾" Hand Valve With ⅛" Tapping	Conbraco		X	X			
	511-426-325	1" Hand Valve With ⅛" Tapping	Conbraco				X	X	X
1	511-044-278	LP Gas Valve, ¾" x 1" Spark Pilot	Robert Shaw	M700FTHC-S7C	X	X			
	511-044-279	LP Gas Valve, 1" x 1" Spark Pilot	Robert Shaw	M700DERHC-S7C			X	X	X
2	511-330-222	LP Spark Pilot Burner (Includes: Sparker With 34" Tubing, Sensor, Wires, Pilot Tubing and Pilot Burner)	PSE	LP16	X	X	X	X	X
3	560-742-865	⅛" x 34" Pilot Tubing For Spark Pilot Burner			X	X	X	X	X
	511-330-186	LP Standing Pilot Burner (Includes: Orifice and Pilot Burner)	Honeywell	Q327A-1642	X	X	X	X	X
3	560-528-957	Propane Gas Pilot Orifice, .010 Dia. (For Q0327 Pilot, Above)	Honeywell	388146-KR	X	X	X	X	X
5	511-246-340	⅛" x ¼" Manual Pilot Shut Off Valve			X	X	X	X	X
6	511-724-254	Thermocouple, Screw In, 30" In Length			X	X	X	X	X
7	511-330-229	Pilot Switch Box For Standing Pilot	Johnson Controls	L626B-3C	X	X	X	X	X
<b>EGH CSD-1 Intermittent Ignition Natural Gas Only</b>									
N/S	511-330-086	Control Module, 1 Retry With Alarm Contacts	United Technologies	1003-615			X	X	X
	510-350-226	Impulse Relay	Tyco	S89R-11ABD1-24			X	X	X
	511-624-580	Push Button Switch	Eaton	22K11810			X	X	X
	511-624-581	Red Lens Cover					X	X	X
		Lamp, 24 Volt--Available Locally					X	X	X
	511-044-287	Combination Gas Valve, 1" x 1", 24 Volt	Robert Shaw	5N6-501-723			X	X	X
	511-246-290	Hand Valve, 1"	Watts	1FBV-3C			X	X	X
	511-246-325	Hand Valve, 1" With two ⅛" N.P.T Taps					X	X	X
	511-246-339	Pilot Shut-off Valve, ⅛" N.P.T x ¼" Compression					X	X	X
	510-933-195	Pilot Regulator, ¼" N.P.T	Maxitrol	RV20			X	X	X
	511-044-039	Pilot Solenoid Valve ¼" N.P.T	Honeywell	V8046C-1014			X	X	X
	591-391-887	Wiring Harness, Gravity Return Steam	Weil-McLain				X	X	X
	540-130-976	Wiring Harness, Pumped Steam Return, With Wiring Diagram	Weil-McLain						

## Ultra Commercial / Slimfit - Heat Exchanger Parts

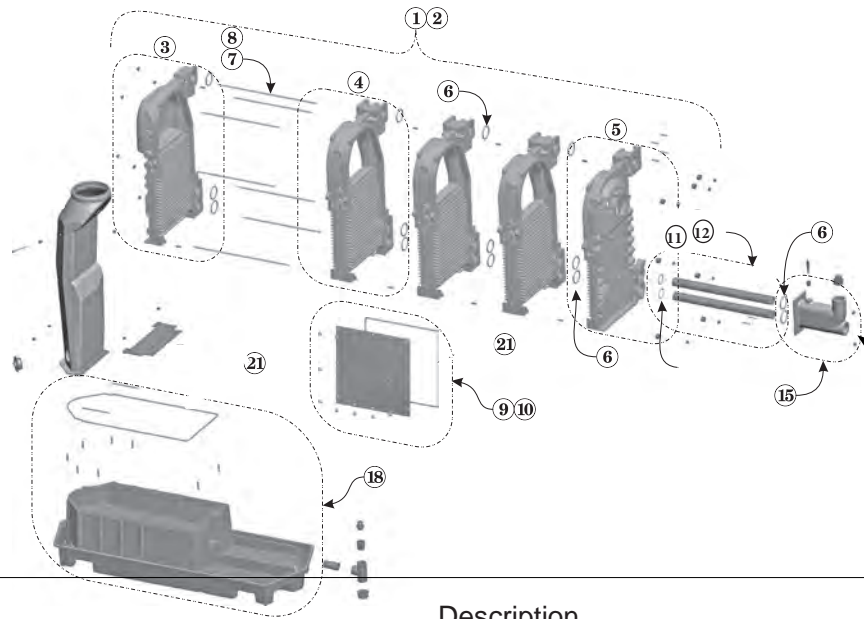
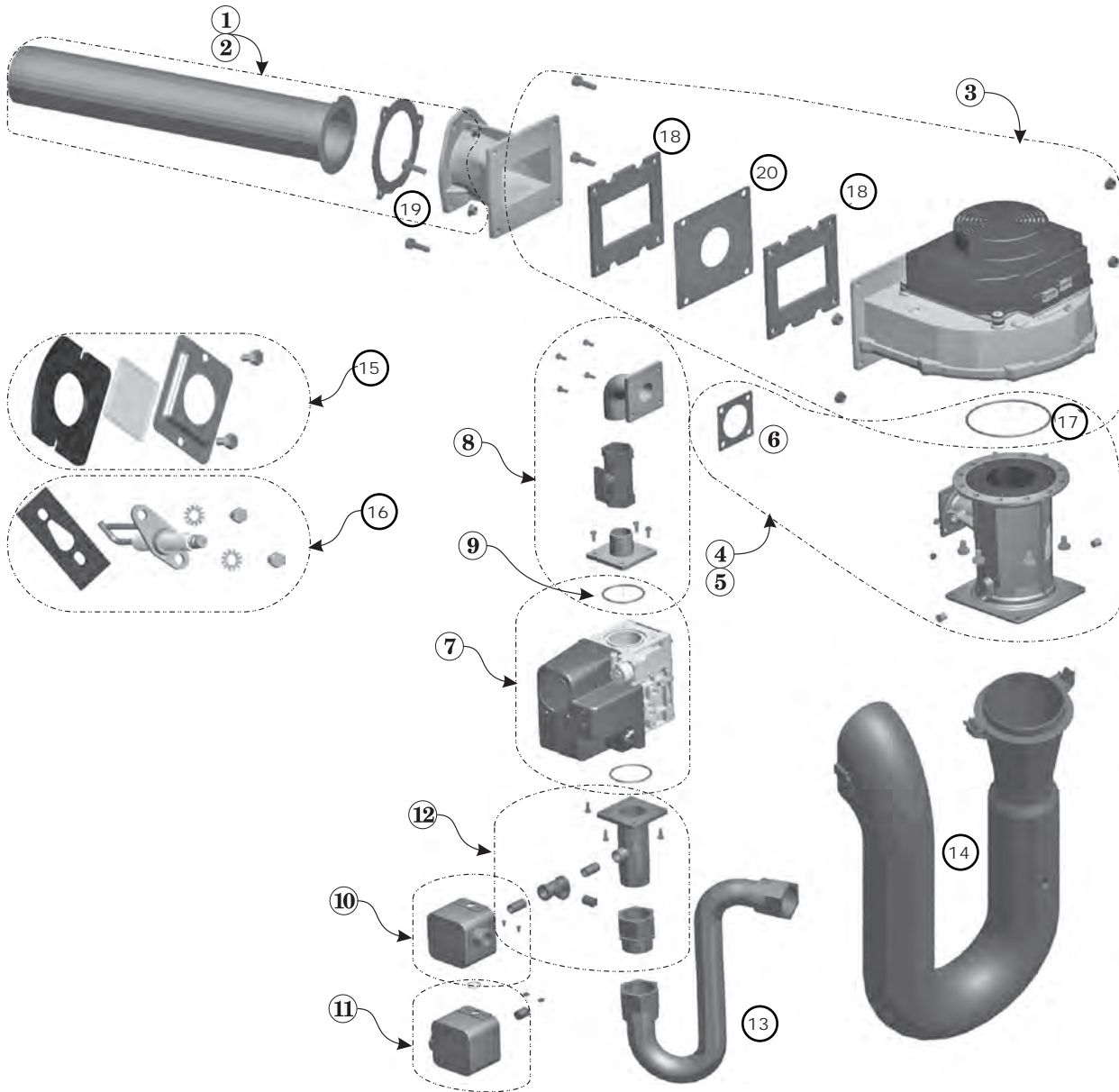


Fig. No	Part No.	Description	Boiler Models
1	383-600-029	5 Section Heat Exchanger Assembly - (Complete)	550
2	383-600-028	6 Section Heat Exchanger Assembly - (Complete)	750
3	383-600-036	Left End Section Replacement Kit (Includes: Section, O-Rings, Sealing Cord & Hardware)	550/750
4	383-600-037	Intermediate Section Replacement Kit (Includes: Section, O-Rings, Sealing Cord & Hardware)	550/750
5	383-600-038	Right End Section Replacement Kit (Includes: Section, O-Rings, Sealing Cord & Hardware)	550/750
6	590-318-039	Section/Manifold O-ring, 60-mm (Single O-ring Only)	550/750
7	560-134-510	5 Section Draw Rod Kit (Includes Draw Rods, Nuts, and Washers)	550
8	560-134-511	6 Section Draw Rod Kit (Includes Draw Rods, Nuts, and Washers)	750
9	383-600-040	5 Section HX Cover Plate Kit (Includes: Plate, Nuts, Cord & Silicone RTV Sealant)	550
10	383-600-041	6 Section HX Cover Plate Kit (Includes: Plate, Nuts, Cord & Silicone RTV Sealant)	750
N/S	383-600-033	5 Section Supply Distribution Tube Kit (Distribution Tube, O-Ring and Nuts)	550
	383-600-032	6 Section Supply Distribution Tube Kit (Distribution Tube, O-Ring and Nuts)	750
11	383-600-031	5 Section Return Distribution Tube Kit (Distribution Tube, O-Rings and Nuts)	550
12	383-600-030	6 Section Return Distribution Tube Kit (Distribution Tube, O-Rings and Nuts)	750
13	383-600-034	Return Manifold Casting Kit (Includes: Manifold, O-ring and Nuts)	550/750
14	561-444-101	Inspection Plug	550/750
15	383-600-025	Aluminum Flue Pipe Kit (Includes Flue Pipe, Inspection Plug, Cord, RTV Silicone, & Nuts)	550/750
16	383-600-026	Plastic Base Assembly Kit (Includes: Base, Cord, Silicone RTV Sealant, hardware)	550/750
17	383-600-027	Base Cover Plate (5-Section Only)	550/750
N/S	383-600-021	Base Seal Kit (Base Sealing Gasket Cord)	550/750
18	383-600-020	Red Silicone Cord Kit (Used For Cover Plate and Base)	550/750
N/S	513-000-001	Tube of Silicone RTV, High Temperature, Red	550/750
	513-000-000	Tube of Silicone RTV, High Adhesive, Black	550/750
19	590-318-040	Return Distribution Tube O-ring, 45 mm	550/750
N/S	383-600-039	Heat Exchanger O-ring Replacement Kit (Not shown) (Includes: (18) 60-mm O-Rings (Item 6); (2) 45-mm O-Rings (Item 24); Sealing Cord; and Silicone RTV Sealant)	550/750
	383-600-081	Condensate Trap Kit (Includes Trap, and PVC Fittings)	
	560-340-572	Cover Plate Stud, M8 - 1.25 x 36mm	
	561-928-451	Cover Plate Nuts, M8 - 1.25	
	560-340-582	Burner, Supply & Return Manifold Stud, M8 - 1.25 x 40mm	
	561-928-260	Burner, Supply & Return Manifold Nut, Flanged, Serrated, M8 - 1.25	

GAS



Ultra Commercial / SlimFit  
Burner / Blower / Venturi / Gas Train

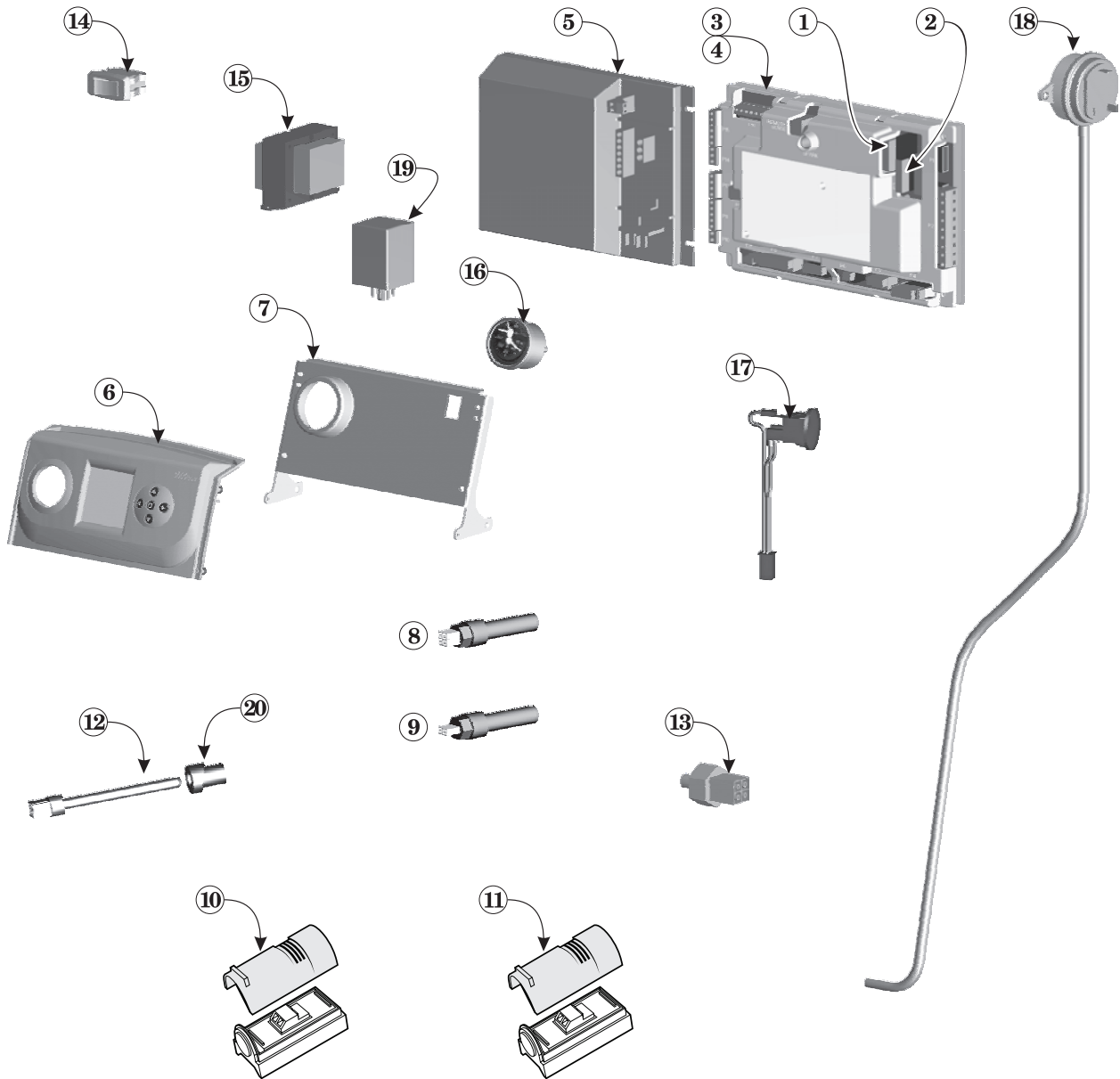


GAS

## Ultra Commercial / SlimFit Burner / Blower / Venturi / Gas Train Parts

Fig. No	Part No.	Description
1	383-600-044	5 Section Burner Replacement Kit (Includes: Burner, Gasket and Nuts)
2	383-600-043	6 Section Burner Replacement Kit (Includes: Burner, Gasket and Nuts)
3	383-600-045	Blower Assembly Kit (Includes: Blower, Gasket, O-ring and Hardware)
4	383-600-067	5 Section Venturi Replacement Kit (Includes: Venturi, O-ring and Gasket)
5	383-600-068	6 Section Venturi Replacement Kit (Includes: Venturi, O-ring and Gasket)
6	590-300-022	Venturi To Gas Pipe Gasket
7	383-600-066	Gas Valve Replacement Kit (Includes: Gas Valve Only)
8	383-600-046	Gas Valve To Venturi Piping Kit (Includes: Piping, Gasket, O-ring and Hardware)
9	590-318-042	O-ring, Gas Valve To Adapter Pipe
10	383-600-048	High Gas Pressure Switch Replacement Kit (Includes: Switch and ¼" Nipple)
11	383-600-049	Low Gas Pressure Switch Replacement Kit (Includes: Switch and ¼" Plug)
12	383-600-047	Gas Pressure Switch Piping
13	560-900-021	Flexible Gas Line -- 1¼" N.P.T. X 26" Length
14	383-600-112	Air Silencer - (Includes - U Type Clip With Barb, Air Silencer, and Instructions)
15	383-500-020	Inspection Glass Kit (Includes: Retainer, Glass, Gasket and Screws)
N/S	383-500-619	Ignition Cable Kit
16	383-600-070	Ignition Electrode Kit (Includes: Ignitor, Gasket and hardware)
17	590-318-041	Venturi-To-Blower O-ring (Included In Item 4 and Item 5)
18	590-300-018	Blower Outlet Gasket (Included In Item 3)
19	590-300-011	Burner Gasket (Included In Item 1 and Item 2)
20	383-600-078	Blower Orifice Plate For Ultra-550 (Used For Both Natural Gas and Propane With Gasket)
		Blower Orifice Plate For Ultra-750 (Used only On Ultra-750 Propane) In Conversion Kit Only

# Ultra Commercial / SlimFit Controls



GAS

**Ultra Commercial / SlimFit / Slimfit Series 2  
Control Parts**

Fig. No	Part No.	Description
1	383-500-603	3-Amp, Fast-Blow ATO (5 Fuses)
2	383-500-604	12-Amp, Fast-Blow AG (5 Fuses)
3	383-600-062	CSD-1 U-Control Module (Includes Replacement Instructions) - <b>Series 1</b>
4	383-500-658	Non-CSD-1 U-Control Module (Includes Replacement Instructions) - <b>Series 1</b>
5	383-600-060	Expansion Module - <b>Series 1</b>
6	383-500-659	Display Board Assembly - <b>Series 1</b>
7	383-600-042	Display Bracket Kit
8	383-600-072	Supply Temperature Sensor Replacement Kit, Dual Sensor (Sensor Only) -12Kohm, ¼" N.P.T
9	383-600-071	Return Temperature Sensor Replacement Kit, Single Sensor and Bushing -12Kohm, ¼" N.P.T
10	383-500-125	Outdoor Temperature Sensor--12Kohm
11	383-500-601	System Temperature Sensors -- 12Kohm
12	383-500-600	Flue Temperature Sensor Replacement Kit (Sensor and Grommet) -- 12Kohm)
13	383-500-602	Heat Exchanger Temperature Sensor --12Kohm
14	383-500-205	On/Off Power Switch -- 16A@125 Volt
15	383-500-628	Transformer, 120V/24V, 50VA
16	570-218-054	Pressure/Temperature Gauge Assembly - 120 PSI
17	591-391-959	120 Volt, 3-Wire Receptacle, Pre-Wired
18	383-600-073	Air Pressure Switch Kit (Includes Switch, Tube and Mounting Screws) 3.25" W.C.
N/S	562-302-525	Hose Barb For Air Pressure Switch Sensing Tube Connection -- ⅛" RP
19	570-350-230	Blower Power Relay -- DPDT,10A-120 Volt
N/S	383-500-642	Ultra U-Control Terminal Block Kit -- Includes Screwdriver
	383-500-633	Expansion Module To U-Control Wire Harness, RS485
	591-391-961	Expansion Module To Display Harness
	383-600-057	Upper Line Voltage Wire Harness (EP2, EP4, Power Input and Blower Relay)
	591-391-958	Lower Line Voltage Wire Harness
	383-600-058	Upper Low Voltage Wire Harness - <b>Series 1</b>
	383-600-059	Gas Pressure Switch Harness
	591-391-956	Lower Low Voltage Wire Harness (P4 Through P9 and Others)
	591-391-960	Gas Valve Harness
	383-500-641	Jumper For Low Voltage Terminal Blocks ( 5 Jumpers)
20	590-318-011	Flue Temperature Sensor Gasket
<b>Conversion - Slimfit Series 1 To Slimfit Series 2 Only - 550/750</b>		
N/S	383-600-164	Complete Conversion Kit From Series-1 To Series-2 -(Includes Evergreen Control Module, Expansion Board, Display, Harnesses, Manuals, and Instructions.
<b>Individual Series 2 Conversion Kit Parts - 550/750</b>		
N/S	383-600-162	Evergreen Control Module Kit - (Includes Evergreen Control Module and Instructions)
	383-600-160	Expansion Board Kit - (Includes Expansion Control Module and Instructions)
	383-600-159	Display Panel Kit - (Includes Display and Instructions)
	591-391-932	Wiring Harness - Controls To Control Module
	591-391-936	Wiring Harness - Control To Display

GAS

## Ultra Commercial / Slimfit Piping Parts

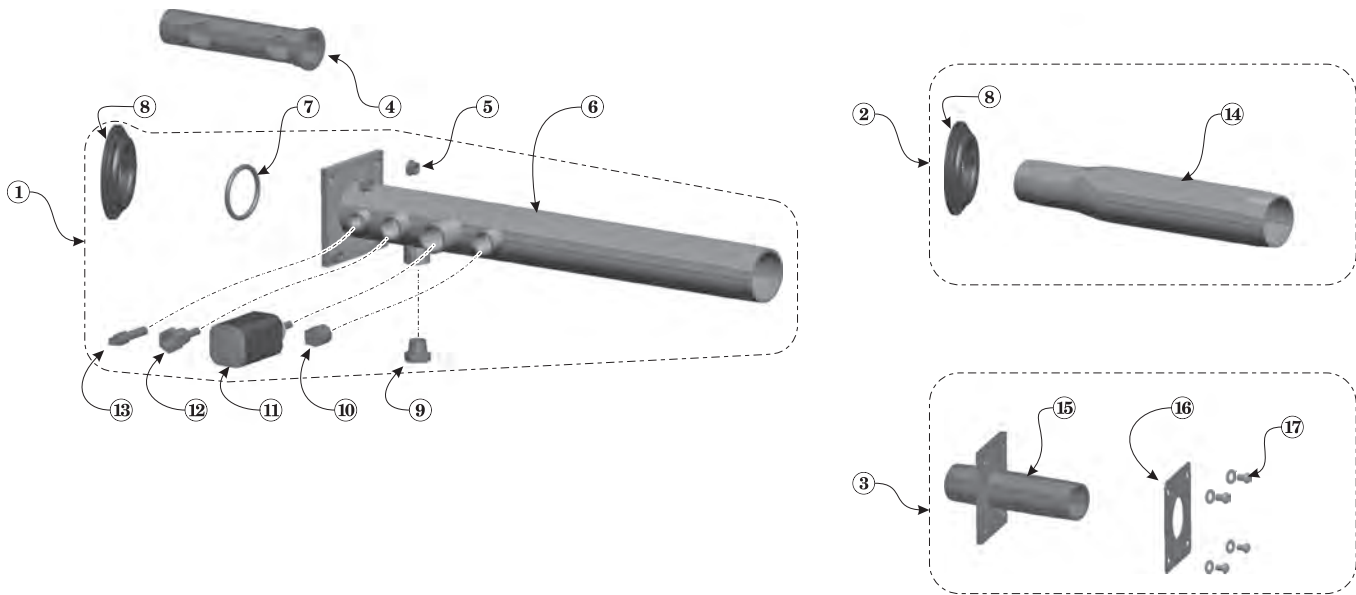


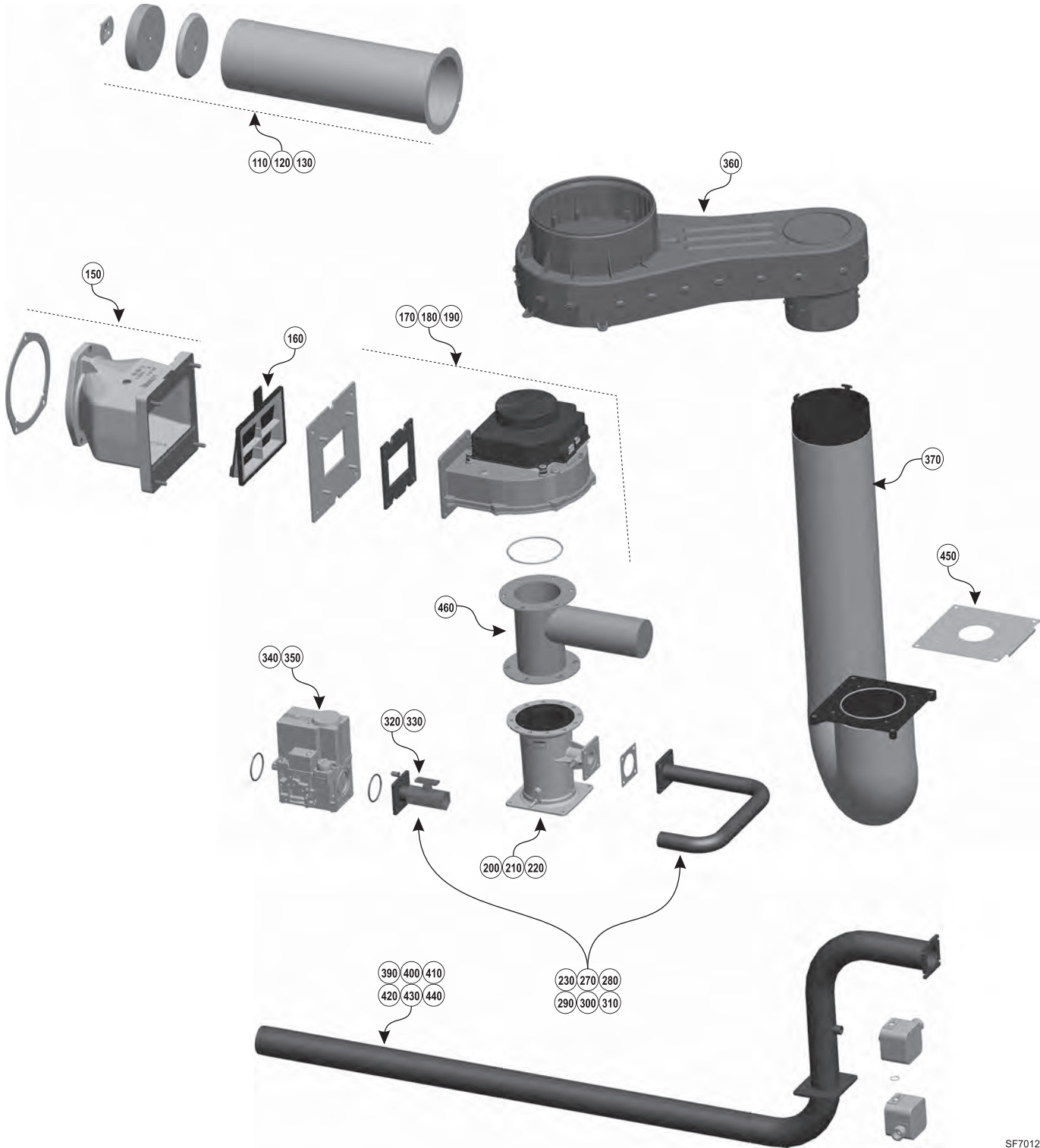
Fig. No	Part No.	Description	Boiler Models
1	383-600-055	Supply Manifold Kit (Includes Items 5 through 8 and 9 through 13)	550/750
2	383-600-035	Return Pipe Kit (Includes Items 8 and 14)	550/750
3	383-600-056	Inlet Gas Pipe Kit (Includes Items (15, 16, and 17)	550/750
4		Supply Distribution Pipe (See Heat Exchanger Diagram)	
5	In Item 1	Serrated-Flange Nut, M8-1.25 (Four Required)	550/750
6	In Item 1	Supply Distribution Manifold, 2" N.P.T	550/750
7	590-318-039	Section/Manifold O-ring, 60 Mm (Included In Item 1)	550/750
8	562-248-747	Supply/Return Pipe Grommet, 2" N.P.T X 3½" Diameter (Included In Item 1 & 2)	550/750
9	383-500-275	P/T Gauge Pressure Sensor Line Check Valve	550/750
10	In Item 1	Plug, ½" NPT	550/750
11	383-600-069	Low Water Cut-Off - (Hydrolevel 45-1105, Or Taco LTR0243L)	550/750
12	383-500-270	P/T Gauge Temperature Sensor Well	550/750
13	383-600-072	Supply Temperature Sensor	
N/S	383-600-071	Return Temperature Sensor	
14	In Item 2	Return Pipe, 2" N.P.T	550/750
15	In Item 3	Inlet Gas Pipe With Flange	550/750
16	590-300-017	Inlet Gas Pipe Gasket (Included in Item 3)	550/750
17	In Item 3	Screws, ⅜-16 X ½", Button Head; Washers, ⅜" SAE (4 of Each Required)	550/750

GAS

## SlimFit Heat Exchanger & Base Assembly Parts

Fig No.	Part No.	Description
100	383-600-201	Silicone Chord, 10mm X 144" To Seal Section To Base
110	383-600-202	Cleanout Plate Gasket Kit, SF1000, (Gasket, Silicone Sealing Cord,and Hardware)
120	383-600-203	Cleanout Plate Gasket Kit, SF1500, (Gasket, Silicone Sealing Cord,and Hardware)
130	383-600-204	Cleanout Plate Gasket Kit, SF2000, (Gasket, Silicone Sealing Cord,and Hardware)
140	383-600-205	Bottom Frame, SF1000/1500, (Frame, Casters Hardware, O-ring, Silicone Sealing Cord,and Silicone Sealant)
150	383-600-206	Bottom Frame, SF2000, (Frame, Casters Hardware, O-ring, Silicone Sealing Cord,and Silicone Sealant)
160	383-600-207	Flue Collector Base Kit, SF1000/1500, (Flue Collector,Silicone Sealing Cord,and Hardware)
170	383-600-208	Flue Collector Base Kit, SF2000, (Flue Collector,Silicone Sealing Cord,and Hardware)
180	383-600-209	Flue Collar Adapter Kit, SF1000, (Adapter, Silicone sealing Cord,Gasket, O-ring, Flue Temperature Sensor, and Hardware)
190	383-600-210	Flue Collar Adapter Kit, SF1500, (Adapter, Silicone Sealing Cord,Gasket, O-ring, Flue Temperature Sensor, and Hardware)
200	383-600-211	Flue Collar Adapter Kit, SF2000, (Adapter, Silicone Sealing Cord,Gasket, O-ring, Flue Temperature Sensor, and Hardware)
210	383-600-212	Heat Exchanger Front Section, (Section, Silicone Sealant, O-Rings, and Hardware)
220	383-600-213	Heat Exchanger Intermediate Section, (Section, Silicone Sealant, O-Rings, and Hardware)
230	383-600-214	Heat Exchanger Back Section, (Section, Silicone Sealant, O-Rings, and Hardware)
240	383-600-215	Heat Exchanger, Complete, Assembled, SF1000
250	383-600-216	Heat Exchanger, Complete, Assembled, SF1500
260	383-600-217	Heat Exchanger, Complete, Assembled, SF2000
270	383-600-218	Return Distribution Tube, Blank SF1000, (Tube, Flange,O-Ring, and Hardware)
280	383-600-219	Return Distribution Tube, Blank SF1500, (Tube, flange,O-Ring, and Hardware)
290	383-600-220	Return Distribution Tube, Blank SF2000, (Tube, Flange,O-Ring, and Hardware)
300	383-600-221	Return Distribution Tube, Perforated SF1000, (Tube, Flange,O-Ring, and Hardware)
310	383-600-222	Return Distribution Tube, Perforated SF1500, (Tube, Flange,O-Ring, and Hardware)
320	383-600-223	Return Distribution Tube, Perforated SF2000, (Tube, Flange,O-Ring, and Hardware)
330	383-600-224	Supply Cover Plate With LWCO Port, (Plate, O-ring, and Hardware)
N/S	383-600-228	Return Cover Plate, Blank, (Plate, O-ring, and Hardware)
350	383-600-229	Return Manifold With Flange, SF2000, (Manifold, flange, o-ring, temperature sensor, and sealant)
360	383-600-276	Return Manifold With Flange, SF1500, (Manifold, flange, o-ring, temperature sensor, and sealant)
370	383-600-277	Return Manifold With Flange, SF1000, (Manifold, flange, o-ring, temperature sensor, and sealant)
380	383-600-230	Supply Manifold With Flange, SF2000, (Manifold, flange, o-ring, temperature sensor, and sealant)
390	383-600-278	Supply Manifold With Flange, SF1500, (Manifold, flange, o-ring, temperature sensor, and sealant)
400	383-600-279	Supply Manifold With Flange, SF1000, (Manifold, flange, o-ring, temperature sensor, and sealant)
410	383-600-248	Bottom End Rail Kit
420	383-600-270	Caster Kit, Non-Swivel, (Caster, and Hardware)
430	383-600-271	Caster Kit, Swivel, (Caster, and Hardware)
440	383-600-272	Leveling Leg Kit, (Leveling Leg, and Adapter)
N/S	561-431-484	Hex Head Plug, 1/8 BSP, 304 SS
	561-013-872	Condensate Trap Coupling
	560-907-749	Condensate Trap Assembly - (Includes Trap Assembly, Gasket, Swivel Nut, and Siphon)
	561-444-214	Combustion Cap Screw

# SlimFit Burner / Blower / Venturi / Gas Train Assembly



GAS

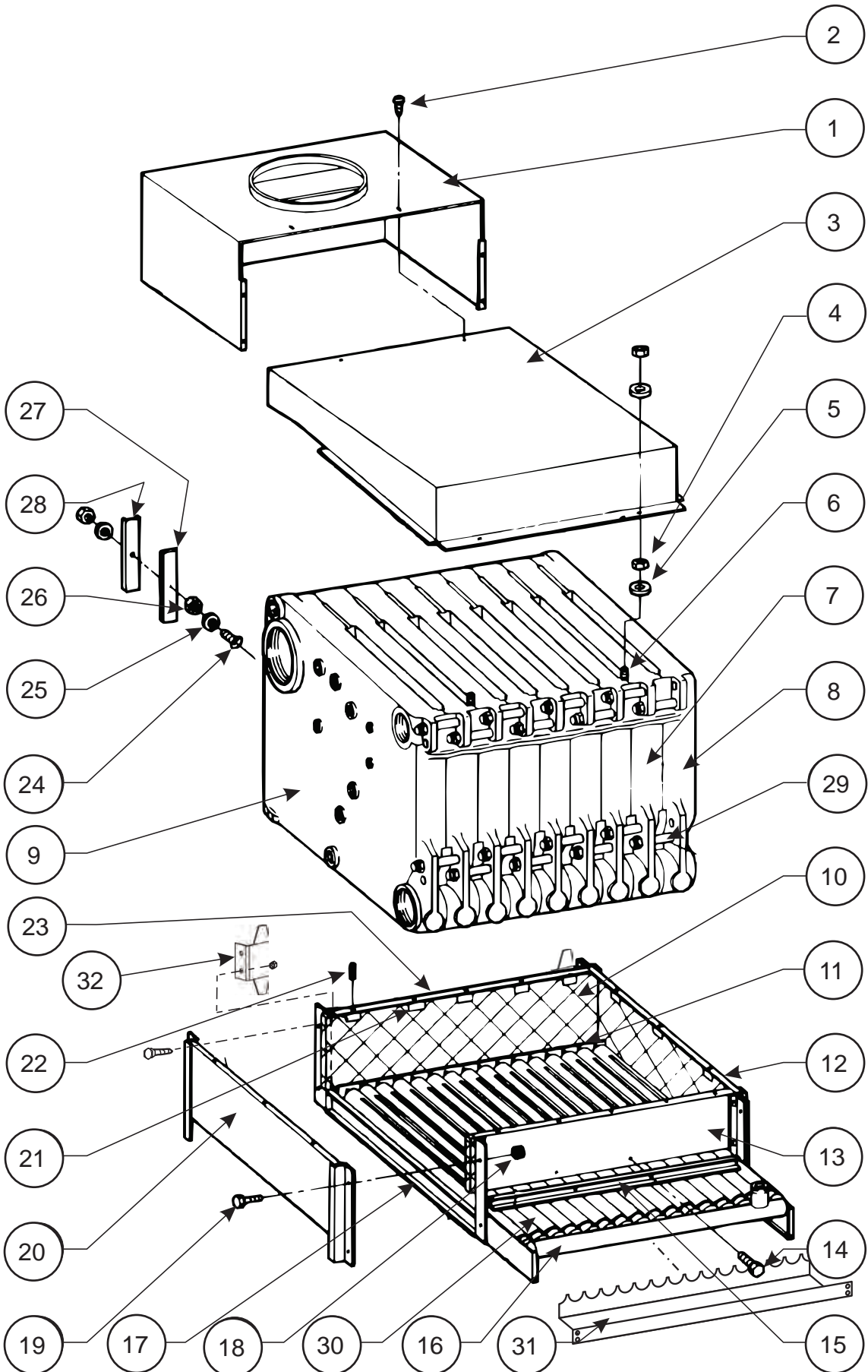
SF7012

# NOTES

GAS



# LGB - Series 1 & 2 Section / Base Assembly



GAS

LGB - Series 1 & 2  
Section / Base Assembly Parts Continued

Fig. No.	Part No.	Size	Description
15	450-003-606	4	Base Access Shield, See Table 1 (Page 139)
	450-003-607	5	
	450-003-582	A	
	450-003-583	B	
	450-003-584	C	
	450-003-585	D	
	450-003-586	E	
	450-003-587	F	
	450-003-588	G	
16	591-125-908	4	Manifold, See Table 1 (Page 139)
	591-125-909	5	
	591-125-910	A	
	591-125-911	B	
	591-125-912	C	
	591-125-913	D	
	591-125-914	E	
	591-125-915	F	
	591-125-916	G	
17	450-003-567		Base Cross Tie
18	Available Locally		Nut, Flange Whiz-Lock ¼" -20
19	Available Locally		Screw, Hex Heat Cap ¼" - 20 x ¾"
21	562-650-104		Support Clip For Base Insulation
22	562-930-236		Roll Pin ⅛" x 2"
23	450-003-598	4	Base Back Panel, See Table 1 (Page 139)
	450-003-599	5	
	450-003-553	A	
	450-003-554	B	
	450-003-555	C	
	450-003-556	D	
	450-003-557	E	
	450-003-558	F	
	450-003-559	G	
N/S	591-602-913		Retort Cement (Collector Hood and Base Seal) (1 Quart)
24	Available Locally		Carriage Bolt, ¼" - 20 x 1¾"
25	Available Locally		Washer, Plain ¼"
26	Available Locally		Hex Nut, Regular ¼" - 20

GAS

## LGB - Series 1 & 2 Section / Base Assembly Parts Continued

Fig. No.	Part No.	Size	Description
27	591-221-115		Cleanout Plate Insulation 3" x 10½" x ½" (1 Per Joint)
28	450-029-549		Cleanout Plate (1 Per Joint)
N/S	591-706-214		Flue Brush - 42" Long
29	560-134-480		⅝" -11 x 8" Draw Rod Without Nut (3 Required Per Joint)
N/S	561-928-224		⅝"-11" Nut (2 Per Draw Rod)
	562-248-710		⅝" Washer (1 Per Draw Rod)
	590-735-140		Rope Fiberglass ½" Diameter x 10' Per Joint
	591-641-850		Construction Adhesive For Sealing Rope (11 oz. Tube)
30	512-200-050		Burner, Tubular Steel, Regular
N/S	512-200-055		Burner, Tubular Steel, For Pilot
	560-528-976		Main Burner Orifice, Propane Gas, 2.4 mm
	560-528-979		Main Burner Orifice, Natural Gas, 3.95 mm
	423-300-420		Flame Sensor Bracket
	460-005-624		Pilot Bracket
31	450-003-350	4	Burner Shield, See Table 1 (page 139)
	450-003-352	5	
	450-003-354	A	
	450-003-356	B	
	450-003-358	C	
	450-003-360	D	
	450-003-362	E	
	450-003-364	F	
450-003-366	G		
32	450-003-614		Base Bracket - Right Or Left - Require 2 Per Boiler

Boiler Size	Number Of Burner Tubes		Boiler Size	Number Of Burner Tubes	
	Regular	For Pilot		Regular	For Pilot
LGB-4	5	1	LGB-14	22	4
LGB-5	7	1	LGB-15	24	4
LGB-6	8	2	LGB-16	26	4
LGB-7	10	2	LGB-17	28	4
LGB-8	12	2	LGB-18	30	4
LGB-9	14	2	LGB-19	32	4
LGB-10	16	2	LGB-20	34	4
LGB-11	18	2	LGB-21	36	4
LGB-12	20	2	LGB-22	38	4
LGB-13	20	4	LGB-23	40	4

Note: For Propane Boilers; LGB 4-12, Add Additional Pilot Burner And Remove One Regular Burner  
For LGB 13-23, Add Two Additional Pilot Burners, And Remove Two Regular Burners

## LGB - Series 2 - Propane Gas Thermally Supervised Pilot to Standard Controls

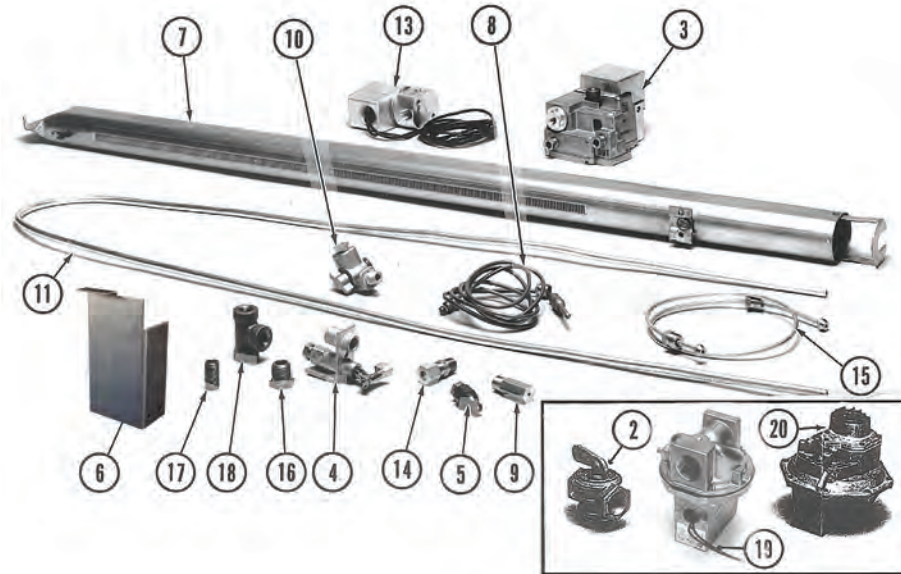


Fig. No.	Part No.	Description	Mfr.	Mfr.'s Part No.
1	511-246-325	Manual Main Shut-Off Gas Valve, 1" N.P.T.	Conbraco	50-403-02
			Key	223-142111
	511-246-330	Manual Main Shut-Off Gas Valve, 1¼" N.P.T.	Conbraco	50-503-06
			Key	224-142111
2	511-330-229	Pilot Switch Box With Built In Pilot Filter, ¼" CC Inlet and Outlet	Johnson Controls	L62GB-3C
3	511-330-186	Pilot Burner, Constant Burning, Thermally Supervised	Honeywell	Q327A1642
	383-300-410	Standing Pilot Burner Repair Kit, Propane Includes Pilot Burner & Orifice		
N/S	511-330-222	Electronic Pilot Burner With Spark and Sense Rod, Propane	PSE	LP-16
4	560-528-957	Propane Pilot Orifice, .010 Dia., For Q327A	Honeywell	388146KR
5	460-005-624	Pilot Mounting Bracket For Both Pilot Burners	Weil-McLain	
6	512-200-055	LGB Main Burner With Pilot Bracket	Weil-McLain	
7	511-724-245	Thermocouple, 48" Long, For Q327A Pilot	Honeywell	Q309A2010
8	560-528-976	LGB Main Burner Orifice, 2.40mm For Propane	Weil-McLain	
9	511-246-340	Manual Shut-Off Pilot Gas Valve, ⅛" N.P.T. x ¼" CC	Conbraco	
			Key	P2R
10	560-742-880	Pilot Line Aluminum Tubing, ¼" O.D. x 20" (2 Pieces Required)	Weil-McLain	
11	511-044-039	Pilot Line Solenoid Gas Valve, ¼" O.D. x 22¾" Long	Honeywell	V8046C1014
			Johnson	H91ABG-5C
12	561-643-450	Union, ¼" CC, Brass (Purchase Locally)	Weil-McLain	
13	560-742-860	Bleed Line Aluminum Tubing, ⅝" O.D. X 22¾" Long	Weil-McLain	
14	560-807-360	Bushing, Black ¼" N.P.T. x ⅝" (Purchase Locally)	Weil-McLain	
15	561-326-200	Nipple, Black ⅝" N.P.T Close (Purchase Locally)	Weil-McLain	
16	561-541-199	Tee, Black ⅝" N.P.T. (Purchase Locally)	Weil-McLain	
17	383-300-425	1" Conversion To V8943A Kit (Convert From V88/V8843P To 8943A)	Weil-McLain	
	383-300-426	1¼" Conversion V8943A Kit (Convert From V88 or V8843P To V8943A)	Weil-McLain	
18	511-044-346	Combination Gas Valve, 1" N.P.T., Propane	Honeywell	V8944C1017
	511-044-218	Combination Gas Valve, 1¼" N.P.T., Propane	Honeywell	V8944C1025
N/S	511-044-279	Combination Gas Valve, 1" N.P.T. Propane 7000DERHC-LP, LGB 4-5	Robertshaw	5N6-502-789

LGB - 5 - Series 2  
CSD - 1 Common Parts

Part No.	Description	Mfr.	Mfr.'s Part No.
511-246-290	Manual Gas Valve, 1" N.P.T	Watts	FBV3-06
511-246-325	Manual Gas Valve, 1" with 2 1/8" taps	Conbraco	
511-246-339	Leak Test Valve	Crescent Metal	
511-044-039	Pilot Gas Valve	Johnson Controls	H91ABG
		Honeywell	V8046C-1014
510-933-195	Pilot Gas Shut Off Valve, 3/4"	Maxitrol	RV20VL-2
511-246-345	Pilot Tubing, Aluminum, 1/4" x 20", 2 Pieces Required	Conbraco	53300-01
560-742-880	Pilot Line Union, 1/4"	Linderme Tube	
510-933-195	Pilot Regulator	Maxitrol	RV20L
561-643-450	Pilot Tubing, 1/4" (Purchase Locally)		
511-330-086	Ignition Control Module - With 2 Alarm Terminals	United Technologies	1003-615
510-350-226	Impulse Relay	Tyco	S89R-11ABD1-24
511-624-580	Push-Button Switch	Eaton	221K11810
511-624-581	Lens Cover (Push-Button Switch)	Caddo	
Purchase Locally	Light Bulb (Push Button Switch)	Texas Instruments	3/4 #85
511-842-364	Transformer, 120/24 Volt, 75 VA, Foot Mounted With Circuit Breaker	Johnson Controls	Y66T13-0
<b>Natural Gas Parts</b>			
511-044-287	Combination Gas Valve, 1"	Robertshaw	7000ERHC-S7C
511-330-221	Electronic Pilot Burner, With Orifice, Spark and Sense Connections	Weil-McLain	
<b>Propane Gas Parts</b>			
511-330-222	Electronic Pilot Burner With Spark and Sense Connections	Weil-McLain	
383-300-410	Standing Pilot Burner	Weil-McLain	
511-330-245	Thermocouple, 48"	Honeywell	Q309A
511-330-229	Pilot Switch Box	Johnson Controls	L62GB-3C
511-246-340	Pilot Shut Off Valve-Standing Pilot Line	Weil-McLain	
511-044-279	Combination Gas Valve, 1"	Robertshaw	7000ERHC-LP

LGB - Series 2  
CSD - 1 Controls  
Universal Control System

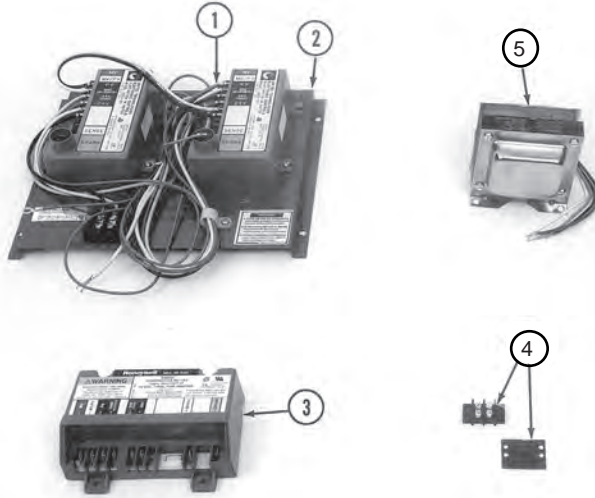


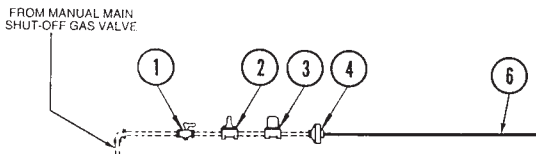
Fig. No.	Part No.	Description	Mfr.	Mfr.'s Part No.	Qty Per Boiler Size		
<b>Universal Controls Ignition/Sensing Control Modules</b>					4-5	6-12	13-23
1	511-330-097	Flame Sense Module, 24 Volt	United Technologies	1003-611	1	1	2
2	510-811-456	Universal Control System-(Includes Panel With Modules,Pilot Assembly, Wiring,Hardware and Instructions)	Weil-McLain				
3	511-330-097	Intermittent Pilot Ignition Module, 24 Volt	United Technologies	1003-611		1	2
4	512-050-013	Terminal Block	Weil-McLain		1	1	2
5	511-842-364	Control Transformer, 120/24 Volt, 75 VA Foot Mounted With Circuit Breaker	Honeywell	AT175C1004	1	1	2
			Johnson Controls	Y66ACD-1C			
<b>CSD-1 Controls</b>					5	6-12	13-20
N/S	511-330-086	Pilot Proving Module	United Technologies	1003-615A	1	1	2
	511-330-085	Main Flame Proving Module	United Technologies	1003-60A	1	1	2
	510-350-226	Impulse Relay	Potter Brumfield	S89R-11	1	1	2
				ABD1-24	1	1	2
	511-624-580	Push Button Switch	Honeywell	AML-21CBA2AA	1	1	2
				Eaton Controls	ZZ1K11810K	1	1
	511-624-581	Lens Cover	Honeywell	AML51-C10R	1	1	2
				Eaton Controls	ZZ0PM0ZA	1	1
	Light Bulb	Texas Instruments	3/4 #85	1	1	2	
510-933-195	Pilot Regulator Set At 6.0" W.C.						

GAS

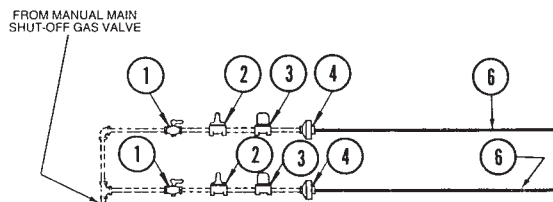
# LGB - Series 2 IRI / FM Control System



**IRA AND FM  
PILOT TRAIN GAS PIPING DIAGRAM  
LGB-6 THROUGH LGB-12 BOILERS**



**IRA AND FM  
PILOT TRAIN GAS PIPING DIAGRAM  
LGB-13 THROUGH LGB-23 BOILERS**



**LGB-13 Through LGB-23 - Series 2  
Flame Guardian WFFP-2 Control System  
Pilot Proving / Main Flame Proving System  
With Prewired Control Cabinet**

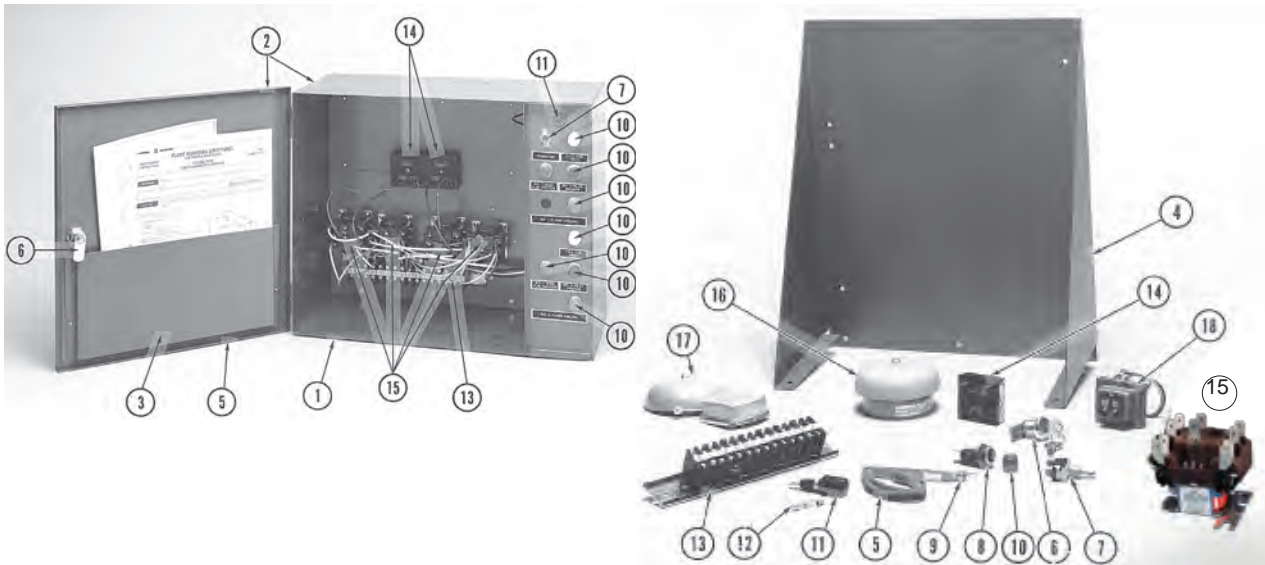


Fig. No.	Part No.	Description	Mfr.	Mfr.'s Part No.	Qty Per WFFP-2 System
1	383-300-190	WFFP-2 Flame Guardian Control System - Complete With Cabinet, Internal Components, and Mounting Bracket			1
6	591-850-003	Door Lock and Key Set (Two Keys)			1 Set
7	511-624-575	Power On Manual Toggle Switch, SPST, 24 Volt or 120 Volt	McGill	3190-0003	1
8	591-850-205	Indicating Lamp Holder, 24 Volt or 120 Volt			8
9	591-850-365	Indicating Lamp Bulb, 24 Volt, Incandescent			8
10	591-850-200	Indicating Lamp Lens, Lexan, Screw-On White, Power On			2
	591-850-201	Indicating Lamp Lens, Lexan, Screw-On Blue, Gas Valve On			2
	591-850-210	Indicating Lamp Lens, Lexan, Screw-On Blue, Pilot Proven			2
	591-850-203	Indicating Lamp Lens, Lexan, Screw-On Red, Flame Failure			2
11	591-850-180	Fuse Holder Panel, 24 Volt or 120 Volt	Buss	HKP-HH	1
12	591-850-183	Fuse, 24 Volt, 6 Amps	Buss	MTH-6	1
13	512-050-026	Terminal Block Set	Curtis	WT-14	1
14	570-350-370	Delay Timer, 24 Volt, 5 Min. Delay	SSAC	TS121360	2
15	510-311-019	Control Relay, DPDT, 24 Volt Holding Coil	Honeywell	R8222D1014	4
19	511-802-615	Alarm Bell, 4" Dia., 120 Volt, Designed For Cabinet Mounting	Weil-McLain		
17	511-802-621	Alarm Bell, 2" Dia., 120 Volt, Designed For Cabinet Mounting	Weil-McLain		
18	511-802-620	Transformer, 120/12 Volt, For Use On 2" Dia. Alarm Bell	Weil-McLain		

GAS



## LGB - Series 2 Water Trim

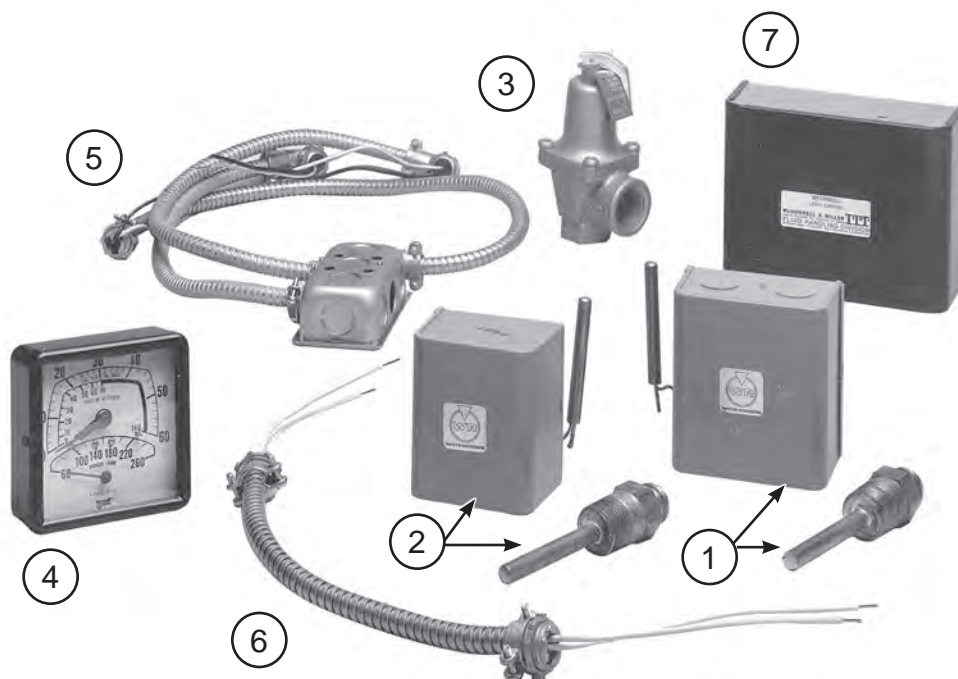


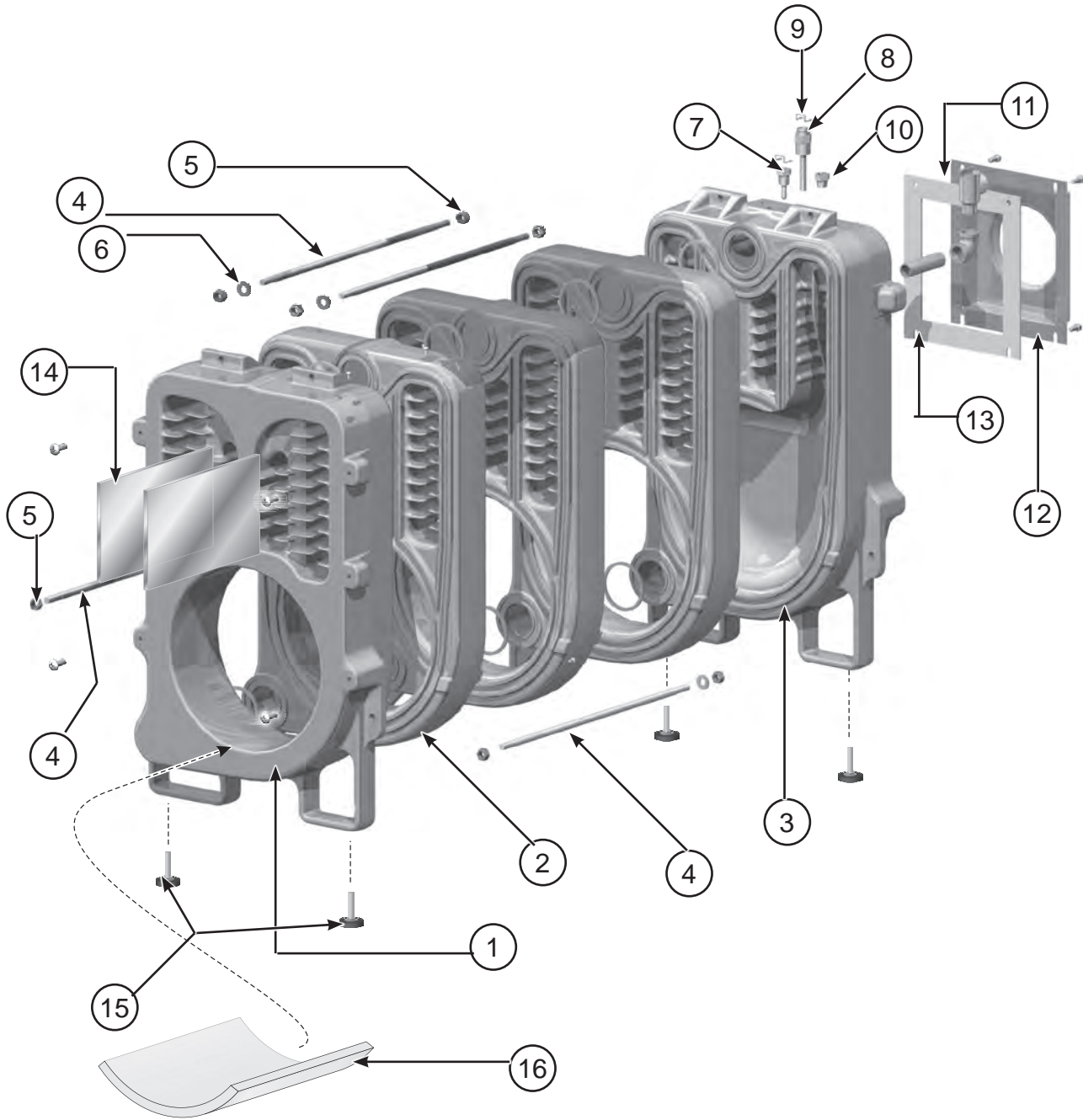
Fig. No.	Part No.	Description	Mfr.	Mfr.'s Part No.	Boiler Size
1	510-312-065	Combination Operating and High Limit Control, DPST, Automatic Recycle, Less Well. Operating Limit: 100 - 220° Range With 10-35°F Adjustable Subtractive Differential. High Limit: 140-240°F Range With 10°F Fixed Subtractive Differential.	Honeywell	L4081A1023	4 - 20
			White-Rodgers	11C30-3	
2	510-312-209	High Limit Temperature Control, SPST Automatic Recycle, 140-240°F Range, 10°F Fixed Subtractive Differential With ¾" N.P.T. Control Well (Separate Controls Used For Operating and High Limit Function For LGB-21 Through LGB-23 Boilers)	Honeywell	L4080B1311	21 - 23
			White-Rodgers	11B83-16	
3	383-600-091	ASME Pressure Relief Valve, Set To Relieve At 30 PSIG, ¾" N.P.T. Male Inlet x ¾" N.P.T. Female Outlet; Side Outlet Type	Conbraco	10-408-05	4 - 5
	383-600-063	ASME Pressure Relief Valve, Set To Relieve At 30 PSIG, ¾" N.P.T. Male Inlet x 1" N.P.T. Female Outlet; Side Outlet Type	Watts	335	4 - 5
	383-600-092	ASME Pressure Relief Valve, Set To Relieve At 30 PSIG, 1" N.P.T. Male Inlet x 1¼" N.P.T. Female Outlet; Side Outlet Type	Watts	740	6 - 9
	383-600-093	ASME Pressure Relief Valve, Set To Relieve At 30 PSIG, 1¼" N.P.T. Male Inlet x 1½" N.P.T. Female Outlet; Side Outlet Type	Watts	740	10 - 13
	383-600-094	ASME Pressure Relief Valve, Set To Relieve At 30 PSIG, 1½" N.P.T. Male Inlet x 2" N.P.T. Female Outlet; Side Outlet Type	Watts	740	14 - 20
4	510-218-065	Combination Pressure-Temperature Gauge, 0-50 PSIG, 60-260°F Back Connection, ½" N.P.T.	ENF	#4104-3.25	All Sizes
			Marshalltown	13HJ	
5	591-319-793	Temperature Control Wiring Harness			21 - 23
6	591-319-801	Water Trim Wiring Harness			4-23
7	511-114-528	Electrode Type Low Water Cut-Off, 120 Volt, SPDT, Automatic Recycle, 160 PSIG Rated, ½" N.P.T. Male Electrode	McDonnell-Miller	PS-851-120	All Sizes
N/S	592-300-006	Well, ¾" N.P.T			

## LGB - Series 2 Steam Trim



Fig. No.	Part No.	Description	Mfr.	Mfr.'s Part No.	Boiler Size
1	510-312-135	High Limit Steam Pressure Control, SPST, Automatic Recycle, 0-9 PSIG Range, 0-5 PSIG Adjustable Additive Differential, Bottom Connection, ¼" N.P.T. Male	Honeywell	PA404A1009	All
	510-312-106	High Limit Steam Pressure Control, SPST, Automatic Recycle, 0-9 PSIG Range, 0-5 PSIG Adjustable Additive Differential, Bottom Connection, ¼" N.P.T. Male	Johnson Controls	P47AA-25D	All
2	383-600-107	ASME Steam Safety Relief Valve, Set To Relieve At 15 PSIG, Side Outlet, 1" N.P.T. Male Inlet x 1" N.P.T. Female Outlet, 643 Lbs/Hr Capacity	Conbraco	13-202-08	4 - 7
	383-600-108	ASME Steam Safety Relief Valve, Set To Relieve At 15 PSIG, Side Outlet, 1¼" N.P.T. Male Inlet x 1½" N.P.T. Female Outlet, 1200 Lbs/Hr Capacity	Conbraco	13-213-08	8 - 12
	383-600-109	ASME Steam Safety Relief Valve, Set To Relieve At 15 PSIG, Side Outlet, 1½" N.P.T. Male Inlet x 2" N.P.T. Female Outlet, 1900 Lbs/Hr Capacity	Conbraco	13-214-08	13 - 19
	383-600-110	ASME Steam Safety Relief Valve, Set To Relieve At 15 PSIG, Side Outlet, 2" N.P.T. Male Inlet x 2" N.P.T. Female Outlet, 2500 Lbs/Hr Capacity	Conbraco	12-205-08	20 - 23
3	510-218-100	Combination Pressure-Vacuum Gauge, 0-30 PSIG, 0-30" Hg., 4½" Dial, Bottom Connection, ¼" N.P.T. Spec 04459	Ametek	USC500-5549	All
4	383-600-002	Water Gauge Glass Kit, ⅝" x 10⅝" With Gaskets and Brass Washers	Weil-McLain		All
5	563-334-595	Water Gauge Glass Guard, 3/16" Dia. X 12½" Long (2 Per Gauge Glass)	Weil-McLain		All
6	510-218-145	Water Gauge Glass Cocks, Set ½" N.P.T. Male Inlet	Conbraco	21-205-03W	All
7	511-114-474	Float Type Low Water Cut-Off, SPCT, Automatic Recycle, 14 PSIG Rated, 1" N.P.T.	McDonnell Miller	61	All
8	591-319-800	Steam Trim Wiring Harness	Weil-McLain		All

# Ultra Oil - Series 1 Through 3 Section Assembly



OIL

## Ultra Oil - Series 1 Through 3 Section Assembly Parts

Fig. No.	Part No.	Description
1	316-900-200	Boiler Front Section
2	316-900-210	Boiler Intermediate Section
3	316-900-220	Boiler Back Section
4	560-234-468	Tie Rods (4 Required) UO-3
	560-234-472	Tie Rods (4 Required) UO-4
	560-234-477	Tie Rods (4 Required) UO-5
5	561-928-221	Nuts (8 Required)
6	562-248-668	Washers (4 Required)
7	592-300-025	P/T Gauge Temperature Sensor Well
8	592-300-026	Aquastat Well ¾" x 4¼"
9	512-400-001	Mounting Clip For P/T Gauge and Limit Well
10	512-400-000	P/T Gauge Pressure Sensor Check Valve
11	511-546-920	Boiler Relief Valve
12	446-900-000	Flue Collar
13	590-318-028	Flue Collar Gasket
N/S	386-902-002	Flue Collar Replacement Kit (Includes Flue Collar Plate, Gasket, and 4 Bolts)
14	452-800-455	Flueway Baffles - (For UO-3, 1.0 GPH Input <b>SERIES 1 &amp; 2 ONLY</b> ) (Two Required)
N/S	386-902-004	Front/Intermediate Section Replacement Kit (Includes: Seals & Rope)
	386-902-003	Back Section Replacement Kit (Includes: Seals, Rope, Flue Gasket)
15	386-902-013	Leveling Legs (4)
16	591-221-287	UO-3 Combustion Chamber Floor Blanket
	591-221-288	UO-4 Combustion Chamber Floor Blanket <b>-(Series 3 Only)</b>
	591-221-292	UO-5 Combustion Chamber Floor Blanket <b>-(Series 3 Only)</b>
N/S	591-706-241	Flueway Brush
	572-800-021	3.5" Square Cut Seal For Top and Bottom
	383-500-095	ASME Pressure Relief Valve, Set To Relief At 30 PSIG, ¾" Male Inlet, ¾" Female Outlet
<b>Flue Way Baffles Required For Series 3 Boilers</b>		
14	452-800-455	UO 3 - Requires 2 Baffles
		UO 4 - Requires 3 Baffles
		UO 5 - Requires 4 Baffles

## Ultra Oil - Series 1 Through 3 Burner Door Parts

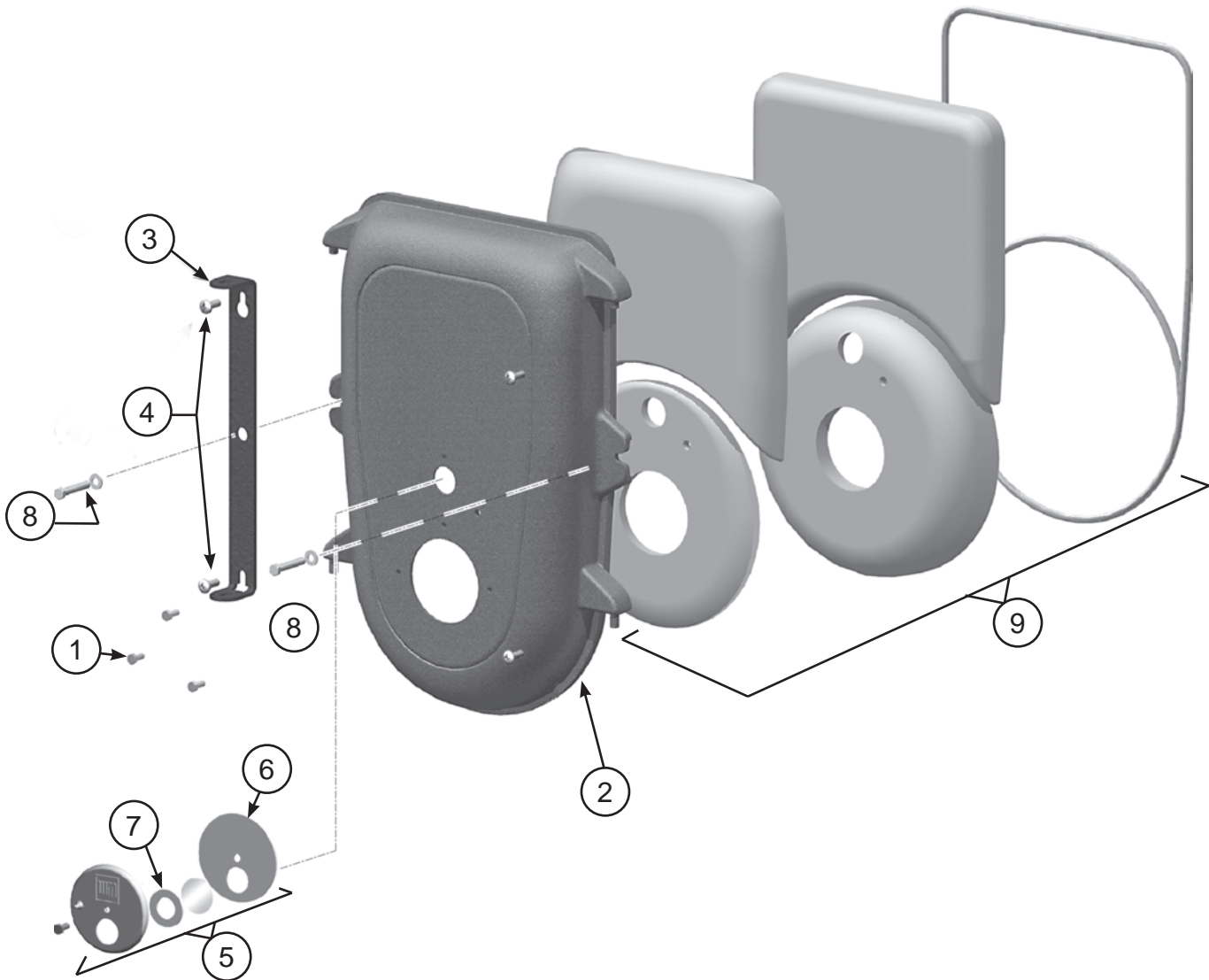


Fig. No.	Part No.	Description
1	Purchase locally	Burner Flange Bolts (3) Each, 5/16"-18 x 3/4" Hex HD SS
N/S	340-003-850	Burner Door Assembly - (Includes Parts In Figure 2, 5, and 9)
2	330-054-308	Burner Door
3	466-900-000	Burner Door Hinge Bracket
4	Purchase locally	Hinge Bracket Screws (2 Required), 3/8"-16 X 1
5	386-902-000	Observation Port Assembly (Includes: Observation Port, Bolt, Observation Port Gasket, Sight Glass Gasket, Sight Glass, Water Glass)
6	590-318-027	Observation Port Gasket (Requires Water Glass Adhesive)
N/S	591-632-612	Water Glass For Observation Port Gasket
7	590-317-580	Sight Glass Gasket
8	Purchase locally	Burner Door Retainer Bolts and Washers (2) Each, 3/8"-16 X 2" Hex HD ZP
9	386-902-001	Burner Door Insulation Kit (Includes: Refractories, Insulation, Blankets & Rope)
N/S	386-902-015	Beckett Air Adapter Kit For NX Burner

## Ultra Oil - Series 1 Through 3 Jacket / Control Parts

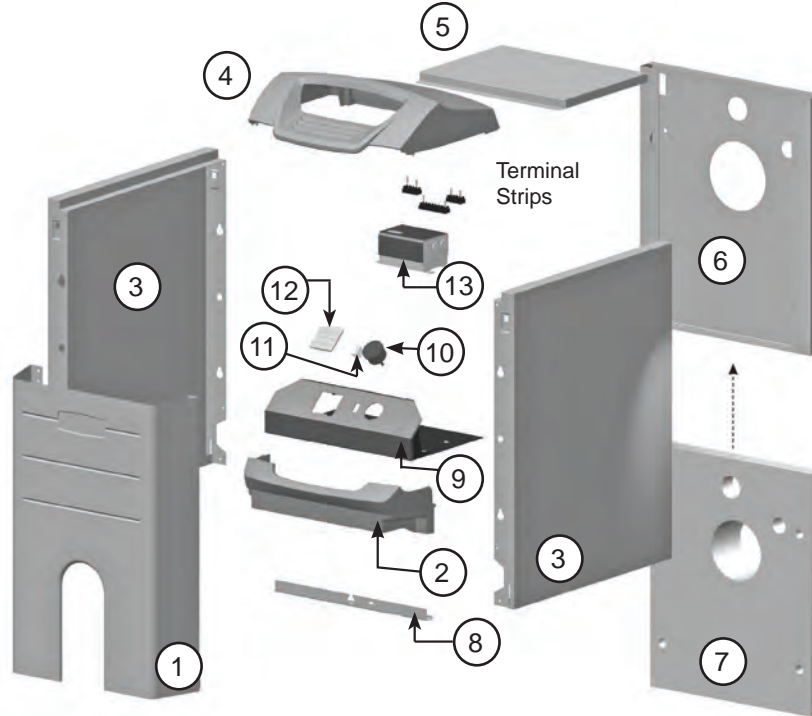


Fig. No.	Part No.	Description
1	386-902-005	Jacket Front Panel Assembly (Includes: Sheet Metal Plastic Striker)
2	595-000-009	Jacket Front Panel Plastic
3	426-900-002	Jacket Side Panel (Left and Right Sides Are The Same) UO-3
	426-900-003	Jacket Side Panel (Left and Right Sides Are The Same) UO-4
	426-900-004	Jacket Side Panel (Left and Right Sides Are The Same) UO-5
4	595-000-039	Control Pod Cover
5	426-900-005	Jacket Top Panel UO-3
	426-900-006	Jacket Top Panel UO-4
	426-900-007	Jacket Top Panel UO-5
6	426-900-001	Jacket Rear Panel (If Required Order Insulation Below)
7	591-222-181	Jacket Rear Panel Insulation
8	426-900-008	Jacket Cross-tie ( <b>SERIES 1 ONLY</b> )
N/S	591-222-178	Boiler Insulation UO-3
	591-222-179	Boiler Insulation UO-4
	591-222-180	Boiler Insulation UO-5
9	386-902-008	Control Tray Assembly (Includes: Tray, Limit Control, Terminal Strips ,P/T Gauge, On/Of Switch, Wiring, Labels) ( <b>SERIES 1 ONLY</b> )
10	510-218-052	Pressure/Temperature Gauge
11	511-624-645	ON/OFF Switch
12	595-000-010	Weil-McLain Logo Plate
13	386-902-006	High Limit Control Honeywell L7248L-1030 ( <b>SERIES 1 ONLY</b> )
N/S	386-902-011	Wire Harness Kit - (Includes Low and High Voltage Harness)
	510-512-270	Barometric Draft Control
	511-724-291	Limit Control Sensor
	386-902-016	Kit Strike and Latch
	592-002-028	Touch-up Paint 16oz Putty

T10

Ultra Oil - Series 1 Through 3  
Jacket / Control Parts Continued

<b>SERIES 2 &amp; 3</b>		
Fig. No.	Part No.	Description
8	426-900-009	Jacket Crosstie
9	386-902-018	Control Tray Assembly (Includes: Tray, Limit Control, Terminal Strips, P/T Gauge, On/Off Switch, Wiring, Labels)
12	595-000-010	Cover Control Bracket
13	386-902-019	High Limit Control, Hydrolevel, 3250 + Series 2 & 3
N/S	386-902-011	Wire Harness Kit - (Includes Low and High Voltage Harness)
	592-300-026	Well For Hydrostat, 3/4" N.P.T.
	383-500-126	Outdoor Sensor Kit For Hydrostat 3250
	511-700-001	Temperature Sensor Lead For Hydrostat, 48" In Length
<b>SERIES 1, 2, &amp; 3</b>		
N/S	386-900-004	Advanced Features Module Kit - (Includes Control Module, Remote Display Module, Outdoor Sensor, 2-Universal Sensors and Instructions)
	650-000-016	Outdoor Sensor For AFM Module
	386-900-005	AFM Control Module
	386-900-006	AFM Display
	650-000-095	Universal Sensor

## WGO- Series 1 Through 3 Section Assembly Parts

			Boiler Size							
			2	3	4	5	6	7	8	9
N/S	386-700-650	Replacement Section Assembly Complete With Jacket For Series 1,2, and 3.	1							
	386-700-651			1						
	386-700-652				1					
	386-700-653					1				
	386-700-654					1				
	386-700-655	Replacement Section Assembly With Jacket					1			
	386-700-656							1		
	386-700-657								1	
									1	
6	386-700-336	Collector Hood Kit	1							
	386-700-337			1	1					
	386-700-338					1				
	386-700-339						1			
	450-020-188							1		
	450-020-189								1	
	450-020-190									1
N/S	386-700-850	Collector Hood Hardware Kit-(Includes: (4) ¼" X 1¼" Bolts, (4) Nuts, (4) Washers, and (4) Tinnerman Nuts )	1	1	1	1	1	1	1	1
7	560-234-464	Tie Rod ½" x 5½"						2	2	2
	560-234-491	Tie Rod ½" x 12¼"	4					2		
	560-234-492	Tie Rod ½" x 12"						2	2	
	560-234-470	Tie Rod ½" x 14"		4	4				2	2
	560-234-495	Tie Rod ½" x 15"								2
	560-234-472	Tie Rod ½" x 17"				4				
	560-234-534	Tie Rod ½" x 20"					4			
	560-234-538	Tie Rod ½" x 23¼"						2		
	560-234-542	Tie Rod ½" x 26⅝"							2	
	560-234-497	Tie Rod ½" x 29½"								2
N/S	561-928-221	Nut, Regular HEX, ½" (2 Required Per Rod)	8	8	8	8	8	16	16	16
	562-248-668	Washer, Medium Split Plain Lock, ½" (1 Required Per Rod)	4	4	4	4	4	8	8	8
8	386-700-355	Combustion Chamber Kit (Includes: Rear & Front Refractory, Blanket & Water Glass)	1	1	1	1	1	1	1	1
9	386-700-358	Burner Mounting Door Assembly (Includes: Door, Observation Port, Rope, Insulation & Pins)	1	1	1	1	1	1	1	1
10	381-355-797	Door Hinge Kit, Cast #7054, (Includes 1 Hinge, and Roll Pins)	2	2	2	2	2	2	2	2
11	386-700-359	Door Refractory	1	1	1	1	1	1	1	1
12	591-222-115	Door Refractory Blanket	1	1	1	1	1	1	1	1
13	460-039-867	Observation Port Shutter	1	1	1	1	1	1	1	1
14	590-735-104	Door Seal, ⅜" Rope, 55"	1	1	1	1	1	1	1	1
15	590-735-109	Glass Rope, ⅜" For Collector Hood, 7'	1	1	1	1	1	1	1	1
16	386-700-344	Flue Cap Kit	1	1	1	1	1	1	1	1
N/S	591-706-214	Flue Brush	1	1	1	1	1	1	1	1
	592-800-007	6" Top Seal								
	592-800-010	3" Bottom Seal								

TIO



## WTGO - Series 1 Through 3 Section Assembly Parts

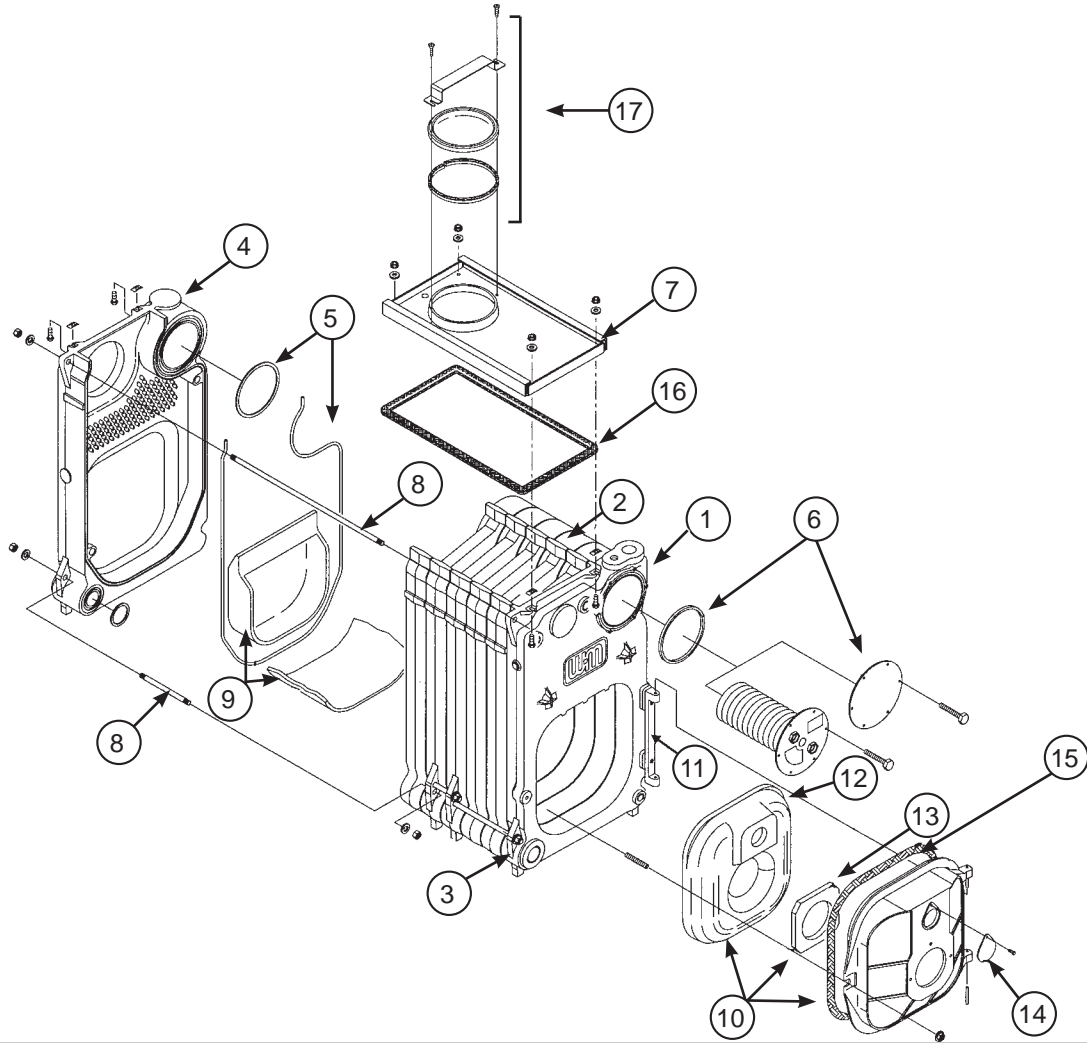


Fig. No.	Part No.	Description	Boiler Size							
			3L	3	4	5	6	7	8	9
1	316-700-240	Front Section, With Envelope, Fits Series 1,2 & 3 Cast # 7013	1							
	316-700-211	Front Section, Fits Series 1, 2 & 3 Cast # 4013		1	1	1	1	1	1	1
2	316-700-065	Intermediate Section, Narrow Cast # 7015	1		2	3	4	3	4	5
	316-700-075	Intermediate Section, Wide Cast # 7010		1						
3	316-700-070	Intermediate Section, With Draw Rod Lugs Cast # 7016						2	2	2
4	316-700-225	Section Back With 2½" Supply & 1½" Return, #7027	1	1	1	1	1	1	1	1
5	386-700-851	Intermediate Section Replacement Kit (Includes: Seals, Rope and Adhesive For Two Joints) Series 1, 2, 3	-	-	1	2	3	4	5	6
	386-700-852	Front or Rear Section Replacement Kit (Includes: Seals, Rope, Adhesive and Collector Hood Fasteners) Series 3 Only	1	1	1	1	1	1	1	1
		Rear Section Replacement Kit (Includes: Seals, Rope, Adhesive and Collector Hood Fasteners) Series 1 & 2 Only	1	1	1	1	1	1	1	1
386-700-855	Front Section Replacement Kit (Includes: Seals, Rope, Adhesive and Collector Hood Fasteners) Series 1 & 2 Only	1	1	1	1	1	1	1	1	
6	386-700-360	Heater Cover Plate Carton (Plate, Studs, Seal) - ¾" Tapping		1	1	1	1	1	1	1
N/S	386-700-658			1						
	386-700-659	Replacement Section Assembly Complete With Jacket			1					
	386-700-660				1					

## WTGO - Series 1 Through 3 Section Assembly Parts

Fig. No.	Part No.	Description	Boiler Size								
			3L	3	4	5	6	7	8	9	
N/S	386-700-661	Replacement Section Assembly With Jacket					1				
	386-700-662							1			
	386-700-663								1		
	386-700-664										1
7	386-700-336	Collector Hood Kit (WTGO-3L)	1								
	386-700-337	Collector Hood Kit		1	1						
	386-700-338					1					
	386-700-339						1				
	450-020-188							1			
	450-020-189									1	
	450-020-190										
8	560-234-464		Tie Rod ½" x 5½"							2	2
	560-234-491	Tie Rod ½" x 12¼"	4						2		
	560-234-492	Tie Rod ½" x 12"							2	2	
	560-234-470	Tie Rod ½" x 14"		4	4					2	2
	560-234-495	Tie Rod ½" x 15"									2
	560-234-472	Tie Rod ½" x 17"				4					
	560-234-534	Tie Rod ½" x 20"					4				
	560-234-538	Tie Rod ½" x 23¼"							2		
	560-234-542	Tie rod ½" x 26¾"								2	
	560-234-497	Tie Rod ½" x 29½"									2
N/S	561-928-221	Nut, Regular HEX, ½" (2 Required Per Rod)	8	8	8	8	8	16	16	16	
	562-248-668	Washer, Medium Split Plain Lock, ½" (1 Required Per Rod)	4	4	4	4	4	8	8	8	
9	386-700-355	Combustion Chamber Kit (Includes: Rear & Front Refractory, Blanket & Water Glass)		1	1	1	1	1	1	1	1
10	386-700-358	Burner Mounting Door Assembly (Includes: Door, Observation Port, Rope, Insulation & Pins)		1	1	1	1	1	1	1	1
11	381-355-797	Door Hinge Kit, Cast # 7054, (Includes 1 Hinge, and Roll Pin)	2	2	2	2	2	2	2	2	2
12	386-700-359	Door Refractory		1	1	1	1	1	1	1	1
13	591-222-115	Door Refractory Blanket		1	1	1	1	1	1	1	1
14	460-039-867	Observation Port Shutter		1	1	1	1	1	1	1	1
15	590-735-104	Door Seal Rope, 4.6' ⅜" Rope		1	1	1	1	1	1	1	1
16	590-735-109	Glass Rope, ⅜" For Collector Hood, 7'		1	1	1	1	1	1	1	1
17	386-700-344	Flue Cap Kit (Includes: Cap, Handle, Rope & Screws)									
	426-700-268	Flue Cap Bracket									
N/S	591-706-214	Flue Brush		1	1	1	1	1	1	1	1
	592-800-007	Round 6" Tankless Heater Gasket									
	560-340-577	Tankless Heater Nut and Stud									
	592-800-007	Round 6" Section Seal Gasket									
	592-800-010	Round 3" Section Seal Gasket									
	386-700-850	Collector Hood Hardware Kit (Includes: (4) ¼" X 1¼" Bolts, (4) Nuts, (4) Washers and (4) Tinnerman Nuts)									
	590-735-250	⅜" Rope , 79" Between Sections									



## WGO, WTGO - Series 1 Through 3 Water Trim / Control Parts

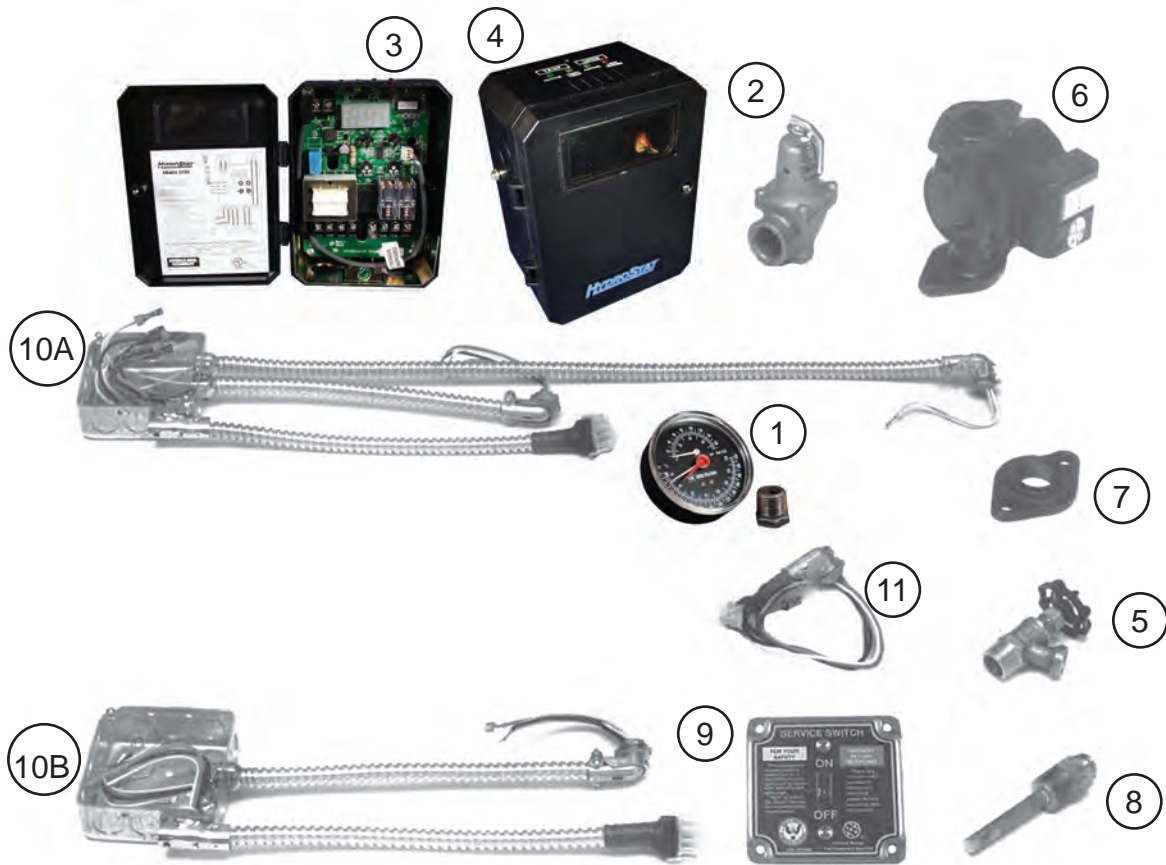


Fig. No.	Part No.	Description	Mfr.	Mfr.'s Part No.	Boiler	
					WGO	WTGO
1	380-000-000	Combination Pressure- Temperature Gauge Kit, 60° - 360°F 0-75 PSI, 3 1/8" Dia, 1/4" NPT, Short Shank, With 1/4" x 1/2" Reducing Bushing	Weil-McLain		X	X
2	383-500-095	ASME Pressure Relief Valve, Set To Relieve At 30 PSIG, 3/4" Male Inlet, 3/4" Female Outlet	Conbraco	M330	X	X
3,4	381-300-000	Electronic Aquastat, High Limit or Combination High/Low Limit, With LWCO, High Limit 100° - 220°, Low Limit 110° - 200°, Adj. differential 10° to 30°, Circulator Amps – 5.8 FA, Anticipator, .2 Amps	Hydrolevel	3250 Plus	X	X
8	592-300-026	3/4" N.P.T. Well, 4 1/4" Long For Hydrolevel 3250	Hydrolevel		X	
	592-300-027	3/4" N.P.T. Well, 6 1/4" Long For Hydrolevel 3250	Hydrolevel			X
N/S	383-500-126	Outdoor Sensor Kit For Hydrostat 3250			X	X

## WGO, WTGO - Series 1 Through 3 Water Trim / Control Parts

Fig. No.	Part No.	Description	Mfr.	Mfr.'s Part No.	Boiler	
					WGO	WTGO
5	511-210-423	Drain Cock, ¾", 1½" Shank	Conbraco	31-606-01	X	X
	511-246-392	Drain Cock, ¾"	Matco-Norca		X	X
		Drain Cock, ¾"	Nibco	#74	X	X
6	511-405-113	Circulator, 1/25HP, 120/60/1 Motor, 175 RPM, 0.75 Amps	Taco	W007F	X	X
7	381-354-526	Circulator Universal Hardware Kit 1¼" (Includes: (1) Flange, (1) Gasket, (2) Screws and (2) Nuts) For Sizes 2, 3 & 4 Only	Weil-McLain	-	X	X
	381-354-531	Circulator Universal Hardware Kit 1½" (Includes: (1) Flange, (1) Gasket, (2) Screws and (2) Nuts) For Sizes 5 & 6 Only	Weil-McLain		X	X
10A	591-391-849	Junction Box – Wiring Harness Assembly Series 2 & 3 WTGO-3L Only With Circulator Only	Weil-McLain	-	X	X
N/S	591-391-836	Junction Box – Wiring Harness Assembly Series 2 & 3 All WGO and WTGO Boilers Except WTGO-3L With Circulator. See 10A Above.	Weil-McLain	-	X	X
10B	591-391-837	Junction Box – Wiring harness assembly (Series 2 & 3 A & B Only) Trim Carton Only	Weil-McLain	-	X	X
9	591-391-854	Junction Box Cover Assembly With Service Switch	Weil-McLain	-	X	X
11	591-391-850	Burner Harness Assembly	Weil-McLain	-	X	X
N/S	426-700-268	Flue Pipe Brackets (Set of 2)	Weil-McLain	-	X	X
	590-921-599	Tankless Heater – Water Boiler (Includes: Heater, Gasket, Nuts and Studs) For Boiler Size WTGO-3L				X
	590-921-612	Tankless Heater – Water Boiler (Includes: Heater, Gasket, Nuts And Studs) For Boiler Sizes WTGO-3,4,5 & 6				X
	590-921-610	Tankless Heater – Water Boiler (Includes: Heater, Gasket, Nuts And Studs) For Boiler Sizes WTGO-7,8 & 9				X
	560-340-577	¾" - 16 x 1½" Stud and Nut, 6 required				
	592-800-007	6" Round Tankless Heater Gasket				
	510-512-267	Barometric Damper 6"			X	X
<b>Damper Kits</b>						
N/S	381-800-501	Vent Damper Kit - (Includes Damper and Actuator) WGO-2RD				
	381-800-502	Vent Damper Kit - (Includes Damper and Actuator) WGO/WTGO-3RD				
	381-800-503	Vent Damper Kit - (Includes Damper and Actuator) WGO/WTGO-4RD				
	381-800-504	Vent Damper Kit - (Includes Damper and Actuator) WGO/WTGO-5RD				
	381-800-505	Vent Damper Kit - (Includes Damper and Actuator) WGO/WTGO-6RD				
	381-800-506	Vent Damper Kit - (Includes Damper and Actuator) WGO/WTGO-7RD				

## SGO - Series 1 Through 3 Section Assembly Parts

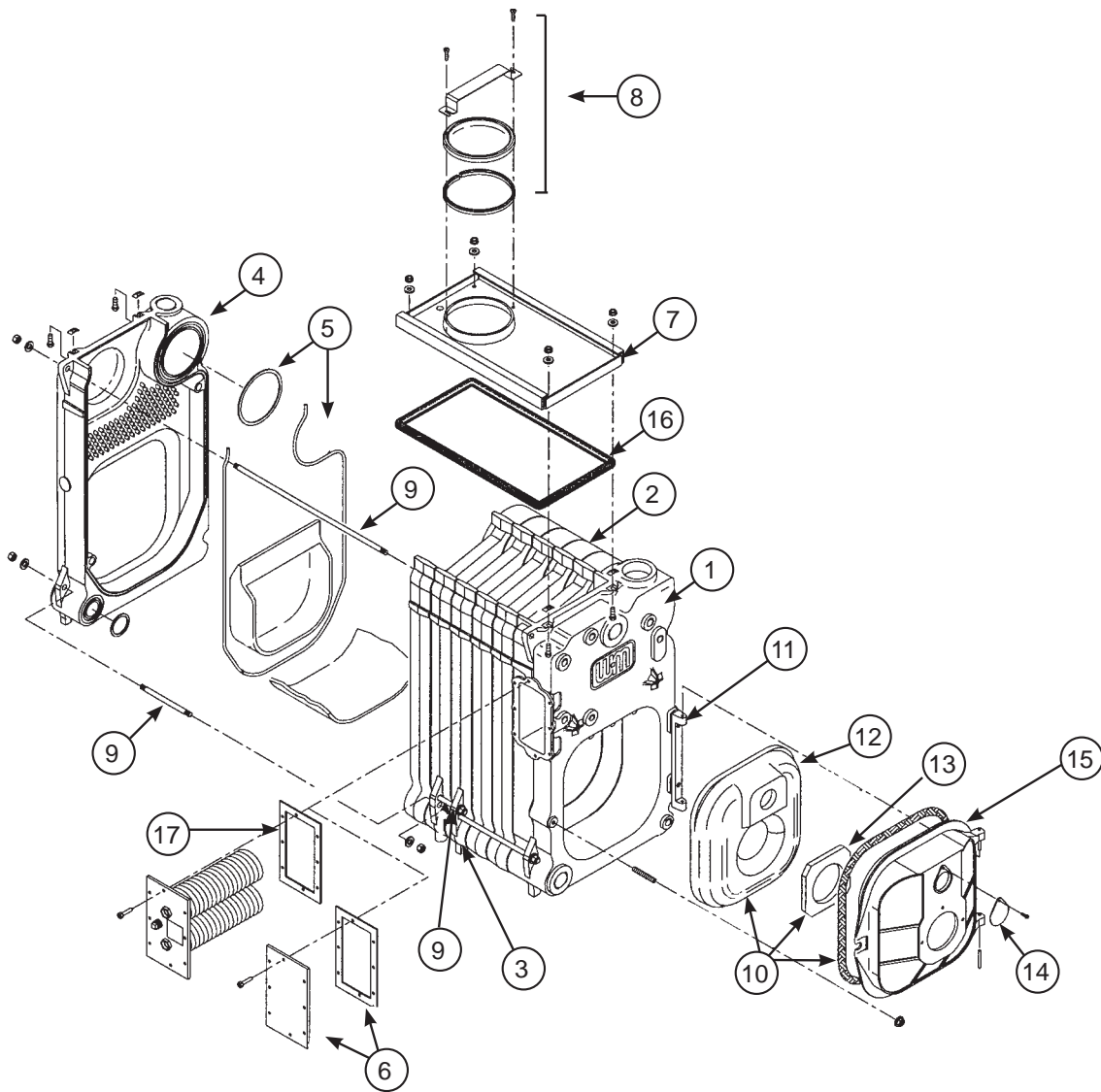
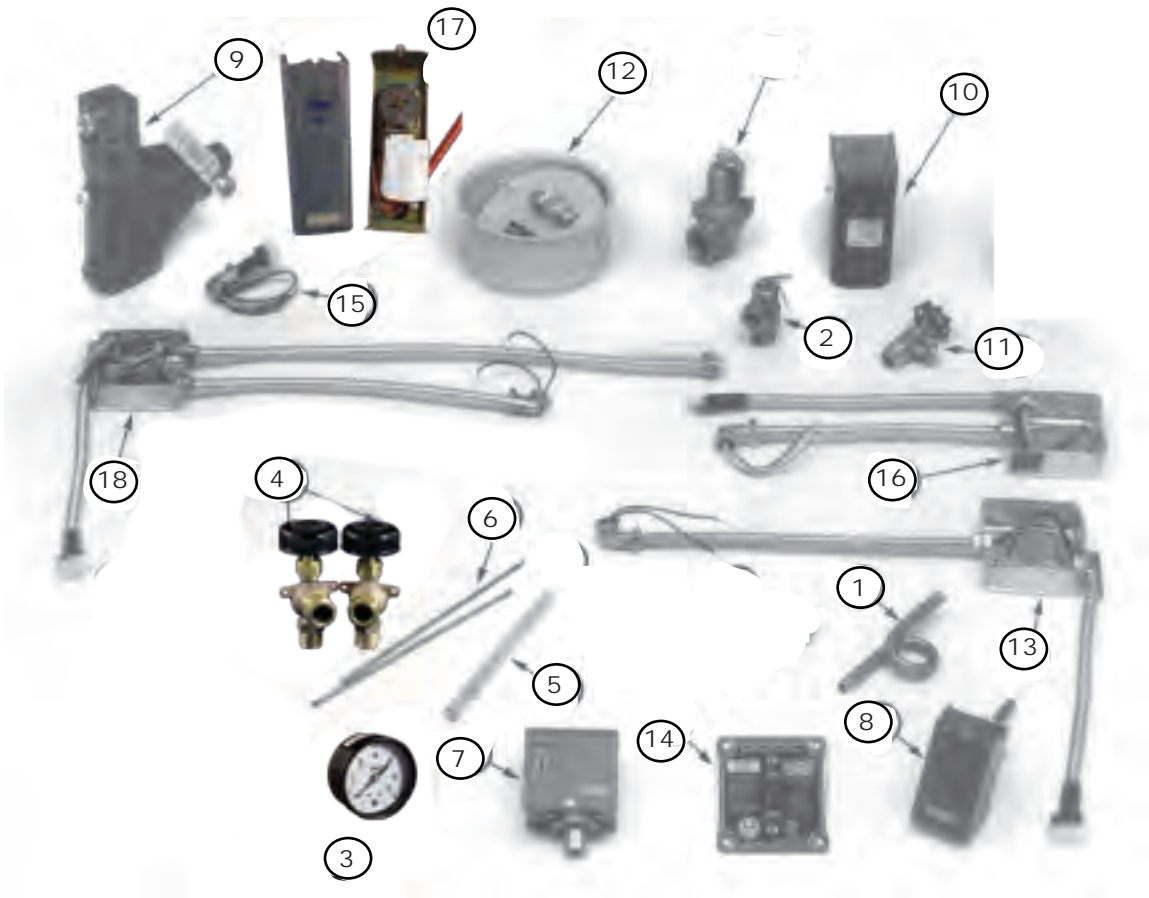


Fig. No.	Part No.	Description	Boiler Size							
			3	4	5	6	7	8	9	
1	316-700-245	Front Section, Wide, 2½" Supply, #7011	1	1	1	1	1	1	1	1
2	316-700-065	Intermediate Section, Narrow, #7015	1	2	3	4	3	4	5	
3	316-700-070	Intermediate Section, With Draw Rod Lugs, #7016					2	2	2	
4	316-700-224	Section Back With 2½" Supply & 2" Return, #7027 - No Top Tapping	1	1	1					
	316-700-225	Section Back With 2½" Supply & 2" Return, #7027 - With Top Tapping				1	1	1	1	
5	386-700-851	Intermediate Section Replacement Kit (Includes: Seals, Rope and Adhesive For Two Joints) Series 1, 2, 3		1	2	3	4	5	6	
	386-700-852	Front or Rear Section Replacement Kit (Includes: Seals, Rope, Adhesive and Collector Hood Fasteners) Series 3 Only	1	1	1	1	1	1	1	1
		Rear Section Replacement Kit (Includes: Seals, Rope, Adhesive and Collector Hood Fasteners) Series 1 & 2 Only	1	1	1	1	1	1	1	1
	386-700-855	Front Section Replacement Kit (Includes: Seals, Rope, Adhesive and Collector Hood Fasteners) Series 1 & 2 Only	1	1	1	1	1	1	1	1
6	389-900-103	Heater Cover Plate (Rectangular) (Includes 8 Studs, Nuts and Gasket)	1	1	1	1	1	1	1	1

## SGO - Series 1 Through 3 - Section Assembly Parts

Fig. No.	Part No.	Description	Boiler Size							
			3	4	5	6	7	8	9	
N/S	386-700-665	Replacement Section Assembly Complete With Jacket and Tankless Coverplate	1							
	386-700-666			1						
	386-700-667				1					
	386-700-668					1				
	386-700-669						1			
	386-700-670		Replacement Section Assembly With Jacket						1	
	386-700-671									1
7	386-700-340	Collector Hood Kit Series 1-3	1							
	386-700-341			1						
	386-700-342				1					
	386-700-343					1				
	450-020-191						1			
	450-020-192								1	
	450-020-193									1
8	386-700-344	Flue Cap Kit Series 1 & 2 (Includes: Cap, Handle, Rope & Screws)	1	1	1	1	1	1	1	1
9	560-234-464	Tie Rod ½" x 5½"					2	2	2	
	560-234-491	Tie Rod ½" x 10¾"	4							
	560-234-493	Tie Rod ½" x 12¼"					2			
	560-234-494	Tie Rod ½" x 13⅜"					2	2		
	560-234-470	Tie Rod ½" x 14"						2	2	
	560-234-495	Tie Rod ½" x 15"							2	
	560-234-532	Tie Rod ½" x 15⅝"		4						
	560-234-496	Tie Rod ½" x 16½"								2
	560-234-475	Tie Rod ½" x 18½"			4					
	560-234-536	Tie Rod ½" x 21½"				4				
	560-234-540	Tie Rod ½" x 24¾"					2			
	560-234-544	Tie Rod ½" x 28"							2	
	560-234-546	Tie Rod ½" x 31"								2
N/S	561-928-221	Nut, Regular HEX, ½" (2 Required Per Rod)	8	8	8	8	8	8	8	16
	562-248-668	Washer, Medium Split Plain Lock, ½" (1 Required Per Rod)	4	4	4	4	4	4	4	8
	386-700-355	Combustion Chamber Kit (Includes: Rear & Front Refractory, Blanket )	1	1	1	1	1	1	1	1
10	386-700-358	Burner Mounting Door Assembly (Includes: Door, Port, Rope, & Pins)	1	1	1	1	1	1	1	1
11	381-355-797	Door Hinge Kit, Cast #7054, (Includes 1 Hinge, and Roll Pin)	2	2	2	2	2	2	2	2
12	386-700-359	Door Refractory	1	1	1	1	1	1	1	1
13	591-222-115	Door Refractory Blanket	1	1	1	1	1	1	1	1
14	460-039-867	Observation Port Shutter	1	1	1	1	1	1	1	1
15	590-735-104	Door Seal ⅜" Rope, 55G	1	1	1	1	1	1	1	1
16	590-735-109	Glass rope, ⅜" For Collector Hood, 7'	1	1	1	1	1	1	1	1
N/S	591-706-214	Flue Brush	1	1	1	1	1	1	1	1
17	590-317-550	Tankless Heater Gasket								
N/S	560-340-577	Tankless Heater Nut and Stud								
	386-700-850	Collector Hood Hardware Kit (Includes: (4) ¼" X 1¼" Bolts, (4) Nuts, (4) Washers And (4) Tinnerman Nuts)	1	1	1	1	1	1	1	1
	590-735-861	⅜" Rope, 79" Between Sections								

# SGO - Series 1 Through 3 Steam Trim / Control Parts



## 80 Boiler Section / Assembly Parts

8	450-030-928	Cleanout Plate										
9	590-317-303	Cleanout Plate Gasket										
10	591-000-070	Front Refractory, For Burner Mounting Plate - 4½" Burner Opening										
	591-000-072	Front Refractory, For Burner Mounting Plate - 6⅝" Burner Opening										
11	562-650-105	Refractory Retainer Clip										
12	385-600-099	Observation Port Assembly (Includes: Observation Port Assembly, Sealing Rope, Screws)										
13	590-735-254	Sealing Rope ½" x 10' Packaged										
N/S	385-700-220	Combustion Chamber Kit (Includes: Back Refractory Blanket, Bottom Refractory Blanket, Adhesive, Sealing Rope, Sealing Rope Adhesive)										
14	425-800-090	Flue Damper Assembly, Top Flue Boilers – 8" For 380-680										
	425-800-091	Flue Damper Assembly, Top Flue Boilers – 10" For 780-1180										
	425-800-092	Flue Damper Assembly, Top Flue Boilers – 12" For 1280										
14A	425-800-096	Flue Damper Assembly, Rear Flue Boilers – 8" For 380-680										
	425-800-097	Flue Damper Assembly, Rear Flue Boilers – 10" For 780-1180										
	425-800-098	Flue Damper Assembly, Rear Flue Boilers – 12" For 1280										
N/S	385-800-215	Flue Collector Hood Hardware Kit (Includes: Flue Collector Hardware Plus Collector Hood Gasket Kit, Below)										
15	463-000-003	Flue Collector Hood End Cap										
N/S	385-800-218	Collector Hood Gasket Kit (Includes: (2) Flue Collector Hood Gasket, (3) Circular Collector Hood Gaskets, (1) Rectangle Collector Hood Gasket, Flat-Stitched Sealing Rope, Double-Faced Tape)										
16	Included In Gasket Kit	Flue Collector Hood Gasket										
With Below Collector Hoods A Collector Hood Gasket Kit 385-800-218 Is Needed												
			Quantity Required To Make a Boiler									
			3	4	5	6	7	8	9	10	11	12
17	450-020-300	80 Collector Hood - A	1				1	1				
	450-020-301	80 Collector Hood - B		1								
	450-020-302	80 Collector Hood - C			1		1		2	1	1	
	450-020-303	80 Collector Hood - D				1		1		1		1
	450-020-304	80 Collector Hood - E									1	1
18	463-000-001	Flue Cap Top										
19	463-000-002	Flue Cap Rear										
20	Included In Flue Damper Assembly	Rear Flue Transition										
21	Included In Gasket Kit	Circular Collector Hood Gasket										
22	Included In Gasket Kit	Rectangular Collector Hood Gasket										
N/S	592-800-008	7½" Top Elastomer Seal										
	592-800-009	3½" Bottom Elastomer Seal										
23	560-134-495	⅝" x 11" Draw Rod (4 Per Joint)										
24	561-928-224	⅝" HEX Nut (2 Per Draw Rod)										
25	562-248-710	⅝" Washer (1 Per Draw Rod)										
N/S	591-706-214	Flue Brush - 42 Inches Long										



## 80 Boiler Water Trim Parts

Part No.	Description	Mfr.	Mfr.'s Part No.	Boiler Size
383-600-091	ASME Pressure Relief Valve, Set To Relieve At 30 PSIG, ¾" N.P.T. Female Inlet, Brass, ¾" Female Side Outlet, Rated At 510,000 BTUH	Watts	M330	3, 4
	ASME Pressure Relief Valve, Set To Relieve At 30 PSIG, ¾" N.P.T. Female Inlet, Brass, ¾" Female Side Outlet, Rated At 510,000 BTUH	Conbraco	10-408-05	3, 4
383-600-063	ASME Pressure Relief Valve, Set To Relieve At 30 PSIG, ¾" N.P.T. Female Inlet, Brass, ¾" Female Side Outlet, Rated At 925,000 BTUH	Watts	740	5, 6, 7, 8
383-600-092	ASME Pressure Relief Valve, Set To Relieve At 30 PSIG, 1" N.P.T. Female Inlet, Brass, 1¼" Female Side Outlet, Rated At 1,300,000 BTUH	Watts	740	9, 10, 11
383-600-093	ASME Pressure Relief Valve, Set To Relieve At 30 PSIG, 1¼" N.P.T. Female Inlet, Brass, 1½" Female Side Outlet, Rated At 2,105,000 BTUH	Watts	740	12
510-218-099	Combination Pressure Temperature Gauge, 2½" Dia. Dial, 0-70 PSIG, 60-320°F Short Shank, Back Connection, ¼" N.P.T.			All
				All
510-312-065	Combination High Limit/Low Limit Control, High Limit: 140-240°F Low Limit: 140-240°F With 5-35°F Adjustable Differential: Low Limit Must Be Set 20°F Below High Limit, Less Well	White-Rodgers	11C30-3	All
	Combination High Limit/Low Limit Control, High Limit: 140-240°F Low Limit: 140-240°F With 5-35°F Adjustable Differential: Low Limit Must Be Set 20°F Below High Limit, Less Well	Honeywell	L4081A-1189	All
590-921-917	Tankless Heater (Includes: Heater, Gasket, Nuts and Studs)	Heat Controller	78-34	
560-340-577	Stud ⅜-16" NC-2A x 1.12 Long With ⅜-16" NC Brass Nut			
590-317-550	Gasket Tankless Heater Cover Plate 5¼" x 10"			
592-300-006	Well, ¾" N.P.T			All

## 88 - Series 1 & 2 Section Assembly Parts

N/S	591-638-850	Silicone 4500 For Sealing Rope, 10.3 oz.		1 & 2
	591-706-214	Flue Brush, 123 DMG	■	1 & 2
	592-800-005	Square Cut Seal, 9" (1 Per Joint)		1 & 2
	592-800-007	Square Cut Seal, 6" (1 Per Joint)		1 & 2
10	340-004-606	Flue Collar Assembly, 10" (Includes: Flue Collar, Damper, Damper Quadrant, Locking Plate, Swivel and Brackets) (488-688)		1 & 2
	340-004-607	Flue Collar Assembly, 12" (Includes: Flue Collar, Damper, Damper Quadrant, Locking Plate, Swivel and Brackets) (788-888)		1 & 2
	340-004-608	Flue Collar Assembly 14" (Includes: Flue Collar, Damper, Damper Quadrant, Locking Plate, Swivel and Brackets) (988-1388)		1 & 2
	340-004-609	Flue Collar Assembly, 16" (Includes: Flue Collar, Damper, Damper Quadrant, Locking Plate, Swivel and Brackets) (1488-1688)		1 & 2
	340-004-612	Flue Collar Assembly, 18" (Includes: Flue Collar, Damper, Damper Quadrant, Locking Plate, Swivel and Brackets) (1788-1888)		1 & 2
N/S	330-056-634	Quadrant For Flue Collar		1 & 2
	460-003-646	Damper Blade For Flue Collar		1 & 2
	563-530-784	Damper Locking Plate For Flue Collar		1 & 2
9 11 12	385-600-099	Observation Port Assembly (Includes: Frame, Sealing Rope, Plugs and Sight Glass)		1 & 2
N/S	590-317-580	Ceramic Fiber Gasket For Sight glass, 2 $\frac{1}{8}$ " x 1 $\frac{1}{4}$ " x $\frac{1}{8}$ "		1 & 2
	591-419-199	Sight Glass, 2" Round x $\frac{1}{8}$ "		1 & 2
13	450-030-934	Cover Plate For Heater Opening (Rectangular)		1 & 2
14	590-317-579	Gasket For Heater Cover Plate (Rectangular)		1 & 2
15	450-030-965	Cleanout Plate		2
16	590-317-305	Woven Fiberglass Gasket For Cleanout Plate		2
17	416-400-131	2-Flueway Kit (Includes: 2 Sets of Bars)	■	2
18	Available Locally	Cleanout Bolts and Nuts, (2 Per Cleanout) $\frac{1}{4}$ " X 20, 1 $\frac{3}{4}$ " Zinc Plated, Carriage Bolts, $\frac{1}{4}$ " Plain Washer, $\frac{1}{4}$ " X 20 HEX Nut		1 & 2
N/S	386-300-211	88 Combustion Chamber Kit	■	1 & 2
	560-340-577	$\frac{3}{8}$ " x 1 $\frac{1}{8}$ " Stud & Nut For Heater Cover Plate		1 & 2
	591-632-612	Waterglass (4 oz. Bottle)		1 & 2
	562-248-744	Grommet Jacket Observation Port		2

■ Indicated current TPS R/C Product

## 88 - Series 1 & 2 Water Trim Parts



Fig. No.	Part No.	Description	Mfr.	Mfr's Part No.	Boiler Size	Series
1	383-600-092	ASME Pressure Relief Valve, Set To Relieve At 30 PSIG, 1" Inlet x 1¼" Brass, Side Outlet	Watts	7404	4-5	1 & 2
	383-600-093	ASME Pressure Relief Valve, Set To Relieve At 30 PSIG, 1¼" Inlet x 1½" Brass Side Outlet	Watts	740	6 – 8	1 & 2
	383-600-094	ASME Pressure Relief Valve, Set To Relieve At 30 PSIG, 1½" Inlet x 2" Brass, Side Outlet	Watts	740	9 – 11	1 & 2
	383-600-095	ASME Pressure Relief Valve, Set To Relieve At 30 PSIG, 2" Inlet x 2½" Brass, Side Outlet	Watts	740	12 – 18	1 & 2
2	510-312-065	Combination High Limit/Low Limit Control Less Well High Limit: 130-240° F Low Limit: 115-240° F	Honeywell	L4081A1189	All Sizes	1
			White-Rogers	11C30-3	All Sizes	1
3	510-218-065	Combination Pressure/Temperature Gauge, 0-55 PSIG, 60-260° F, Back Connection, ½" N.P.T, 2½" Shank	ENFM	4104-3.25	All Sizes	1
			Amekai	OS234-JDTA-003	All Sizes	1
4	510-312-090	Combination Operating Limit and Manual Reset High Limit	Carlin	90000CEL	All Sizes	2
5	510-218-080	Combination Pressure/Temperature Gauge, 0-200 PSIG, 60-260° F, Back Connection, ½" N.P.T 3¼" Shank	ENFM	4104	All Sizes	2
N/S	510-218-099	Combination Pressure/Temperature Gauge, 0-55 PSIG, 60-260° F, Back Connection, ½" N.P.T 2½" Shank	Amekai	OS234-JDTW-003	All Sizes	1
	590-921-909	Tankless Heater – (Includes: Heater, Gasket, Nuts and Studs)	Heat Controller	820		1 & 2
	560-340-577	Stud ⅜-16" NC-2A x 1.12 Long With ⅜-16" NC Brass Nut				
	590-317-579	Gasket Tankless Heater Cover Plate 5¼" x 10"				
	592-300-006	Well, ¾" N.P.T				

## 94 - Series 1 Through 3 Section Assembly Parts

Fig. No.	Part No.	Description	Series No.	
C2	318-102-448	Supply Intermediate Section 9419	1, 2	
	318-102-578	Supply Intermediate Section 9519, 80 PSI	3	
N/S	388-135-020	90-92-94 Split Nipple Replacement Kit (1 Per Joint)	1, 2	
	388-135-010	Section Assembly Kit (1 Per Joint)	3	
	592-800-007	6" Dia. Bottom Elastomer Seal (2 Per Joint)	3	
	592-800-005	9" Dia. Bottom Elastomer Seal (1 Per Joint)	3	
	560-134-490	5/8" X 10" Draw Rod Without Nut, Intermediate To Intermediate (4 Per Joint)	1, 2, 3	
	560-134-495	5/8" X 11" Draw Rod Without Nut, Front or Back To Intermediate (4 Per Joint)	1, 2, 3	
	561-928-224	5/8" Nut (2 Per Draw Rod)	1, 2, 3	
	562-248-710	5/8" Washer (1 Per Draw Rod)	1, 2, 3	
	591-706-185	Flue Brush	1, 2, 3	
	591-706-222	Flue Brush Rod, 44"	1, 2, 3	
	591-706-223	Flue Brush Rod, 62"	1, 2, 3	
	591-706-240	Flue Brush Spacer, 48"	1, 2, 3	
	591-706-226	Flue Brush Handle, Flexible Wire	1, 2, 3	
	590-735-145	1/8" Dia. Sealing Wick, (3' For Front Observation Port, 1' For Relief Plate Stud, 1' For Damper Locking Plate) – TP500 Type FS 125	1, 2, 3	
	590-735-150	3/8" Dia. Sealing Rope, (6' For Rear Access Shield, 2' For Rear Observation Port, 12' For Draft Hood Counter Flange, 3' Per Cleanout Plate)- TP1000 MD375	1, 2, 3	
	590-735-140	1/2" Dia. Sealing Rope, (9' For Burner Plate, 6' For Draft Hood Collar, 6' For Rear Access Door, and 6' Per Clean Out Door		
	590-735-154	5/8" Dia. Silicone Coated Sealing Rope For Section Perimeter, 22' Cut	1, 2, 3	
	590-735-153	5/8" Dia. Sealing Rope- TP500 Type XI-625-60-5, 12' Cut To Length	1, 2, 3	
	591-638-850	Silicone 4500 For Sealing Rope (10.3 Oz. Tube)	1, 2, 3	
	591-638-855	Sealant, Loctite AVV, 50 CC Bottle	1, 2	
	591-638-851	Silicone Sealant (RTV 108 or Equivalent) (3 Oz. Tube)	3	
	D	340-004-616	Flue Collar Assembly, 20" (Includes: Flue Collar With Flange, Damper, Damper Quadrant, Locking Plate, Swivel, Bracket, Counter-Flange and Rope)	1, 2, 3
	N/S	330-056-634	Quadrant Flue Collar 8474	1, 2, 3
		460-003-640	Damper Blade For Flue Collar	1, 2, 3
		563-530-784	Damper Locking Plate	1, 2, 3
		560-340-570	Stud 1/2" X 4 1/4" Dap 104A	1, 2, 3
	D1	460-030-930	Counterflange For 20" Flue 8 1/2" - 13X2" In H Box, Bolts With Washers	1, 2, 3
D2	460-030-936	Flue Adapter, 22" Steel 22-2594	1, 2, 3	
F3	340-004-620	Front Observation Port Assembly #462 (Includes: Bottom, Intermediate And Top Observation Port Plates, Spring, Rope and Sight Glass)	1, 2, 3	
F4	385-600-099	Back Observation Port Assembly (Includes: Frame, Rope, Gasket, Plugs and Sight Glass)	1, 2, 3	
N/S	591-419-199	Back Sight Glass	1, 2, 3	
	590-317-580	Washer For Back Sight Glass	1, 2, 3	
K20	340-004-740	Cleanout Door Assembly #474 (Includes: Door, Hinge, Hinge Plate, Handle, Liner and Accessories)	1, 2, 3	
N/S	340-004-635	Wing Nut Assembly With 3/8" X 1 1/4" Stud (Threads Into Mounting Stud) 9256	1, 2, 3	
	560-340-560	Mounting Stud 92P112a	1, 2, 3	
K22	330060-500	Hinge For Cleanout Door 9254	1, 2, 3	

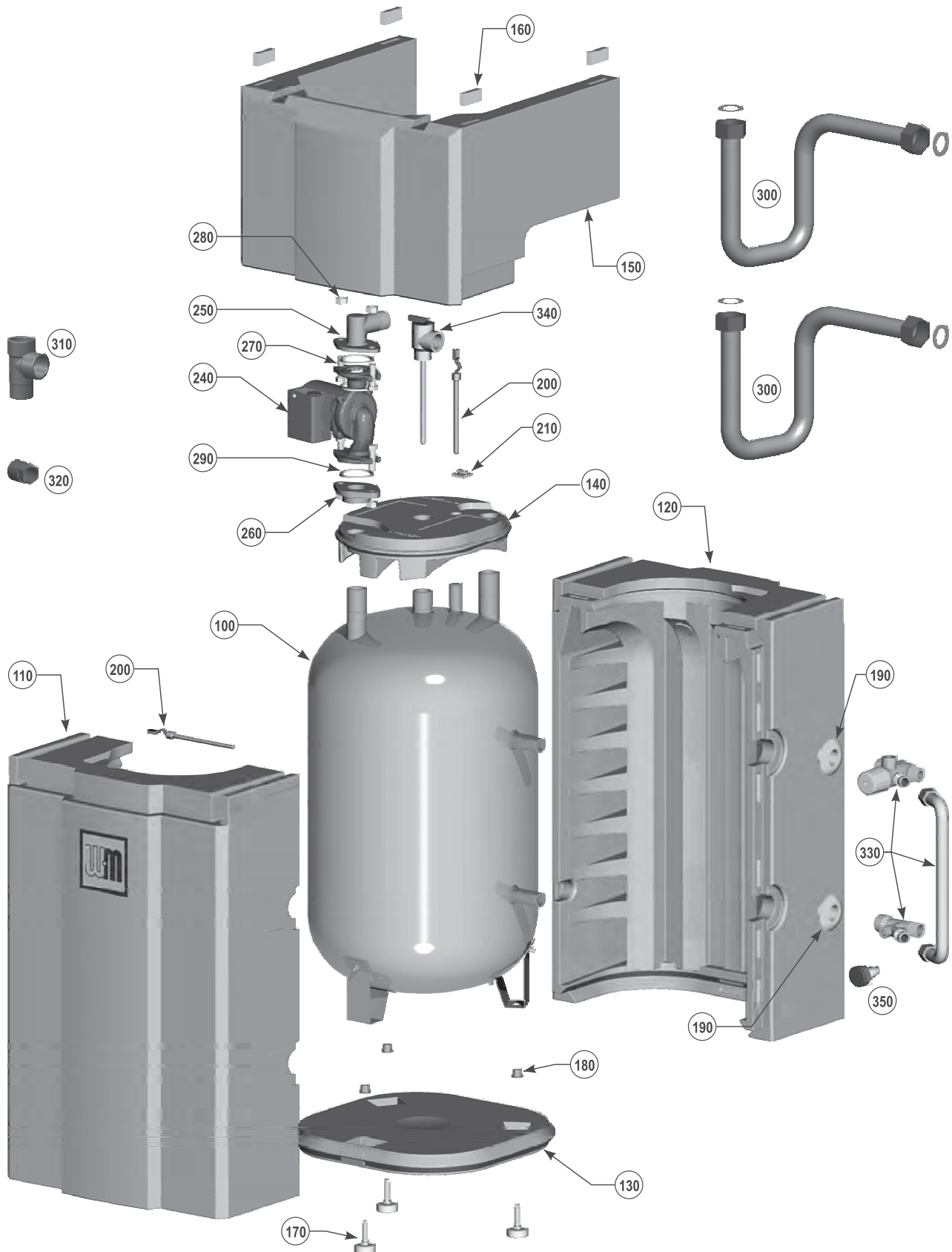
## 94 - Series 1 Through 3 Section Assembly Parts Continued

Fig. No.	Part No.	Description	Series No.
K24	330-060-400	Hinge Plate For Cleanout Door 9253	1, 2, 3
N/S	590-524-867	Liner For Cleanout Door	1, 2, 3
K40	340-004-700	Back Access Door Assembly (Includes: Door Liner, Handle and Rope)	
	387-834-906	Refractory Liner For Back Access Door - Inside Of Door	
	560-340-560	Mounting Stud 92S112a	
K41	387-834-905	Refractory Shield For Back Access Door - Towards Flame Side Of Door	1, 2, 3
L	387-800-500	Heater Cover Plate Carton (Includes: Door Liner, Handle and Rope)	1, 2, 3
L1	590-317-544	Tankless Gasket	1, 2, 3
M	330-061-000	Cleanout Plate 9254	1, 2, 3
	330-060-700	Wing Nut Cleanout With ½" Tapping 9256	1, 2, 3
	560-340-570	Stud ½" X 4 " DAP 104A, 92P112A	1, 2, 3
N	330-060-200	6" Supply Elbow, Water Only Tapped, 9246	1, 2, 3
	330-060-300	8" Supply Elbow, Water Only Tapped, 9248A	1, 2, 3
	330-060-310	8" Supply Elbow, Steam Only Tapped, 92481-S	1, 2, 3
N1	590-317-546	Gasket For Supply Outlet (2 Required), 1 For Front Supply And 1 For Rear Supply	1, 2, 3
	560-340-579	Stud ⅝" X 3" 92P151A	1, 2, 3
N2	330-062-005	Cover Plate For Supply Outlet, 2-2", 9440	3
	330-059-910	Cover Plate For Supply Outlet, 4", 92140	1, 2, 3
N3	330-060-210	Top Supply Outlet, 10" Flanged, 92410	1, 2, 3
N4	590-317-625	Gasket For Top Supply Outlet, 10" (2 Required Per Fitting)	1, 2, 3
O1	388-135-300	Return Flange Reducer, 8" To 6", 086	1, 2, 3
O2	590-317-572	Gasket For Return Flange Reducer, Round	1, 2, 3
O3	330-062-001	Return Flange Adapter, 10", 9410	1, 2, 3
O4	590-317-620	Gasket For Return Flange Adapter, Rectangular	1, 2, 3

## Aqua Plus Water Heater Parts

Fig. No.	Part No.	Description	Model
1	633-500-014	Magnesium Anode Replacement Kit Includes (Anode Rod, O-ring, Insulating Washer and Brass Bushing & Instructions) 12.5 Inches Long 1¼" Socket Needed	35/45/55/85
	633-500-016	Magnesium Anode Replacement Kit Includes (Anode Rod, O-ring, Insulating Washer and Brass Bushing & Instructions) 13.8 Inches Long 1¼" Socket Needed	105
2	633-500-020	Thermostat Repair Kit (Includes Thermostat, and Instructions)	35/45/55/85
	633-500-021		105
3	633-500-024	Top Plastic Cap Replacement Kit	35/45/55
	633-500-025		85
	633-500-026		105
4	633-500-030	Bottom Plastic Cap Replacement Kit (Plastic Cap and 4 Screws)	35/45/55
	633-500-031		85
	633-500-032		105
5	633-500-036	Leveling Leg Replacement Kit	All
6	633-500-038	Temperature & Pressure Relief Valve Kit-(Includes - Watts EF-LF 100XL) 150 P.S.I., 210°, ¾" N.P.T.	35/45/55
	633-500-039	Temperature & Pressure Relief Valve Kit-(Includes - Watts LF - 40XL-5 ) 150 P.S.I., 205°, ¾" N.P.T.	85/105
N/S	633-500-042	Inspection and Service Kit (Includes Inspection Plate Gasket and Anode Gasket)	All
7	633-500-044	Inspection Plate Replacement Kit	All
8	633-500-046	Inspection Hatch Cover Replacement Kit	All
9	633-500-064	Fitting Grommet	3/4"
	633-500-037		1"
10	633-500-048	Anode Cover	All
N/S	633-500-049	Jacket Replacement Kit-(Includes Jacket and Instructions)	35, Pewter
	633-500-050		45, Pewter
	633-500-051		55, Pewter
	633-500-052		85, Pewter
	633-500-053		105, Pewter
	633-500-054		35, Gold
	633-500-055		45, Gold
	633-500-056		55, Gold
	633-500-012		Mixing Valve Kit, 1"

# AquaLogic WM97+ Companion Water Heater

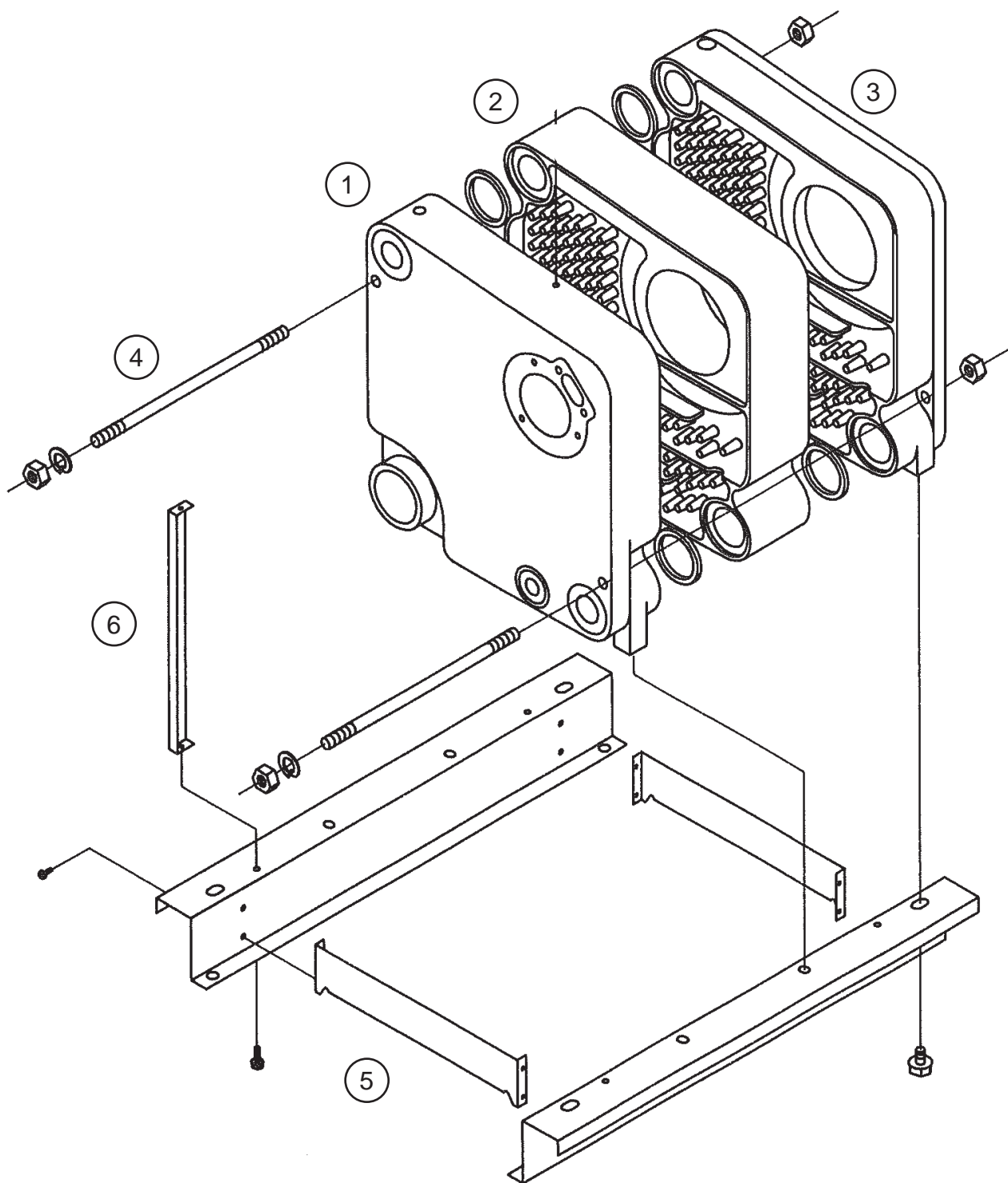


## AquaLogic WM97+ Companion Water Heater Parts

Fig No.	Part No.	Description
100	635-900-059	Tank
110	383-700-211	Jacket Front
120	634-200-215	Jacket Back
130	634-200-216	Jacket Bottom
140	383-700-212	Jacket Top
150	634-200-218	Jacket Pipe Access Cover
160	563-039-981	Jacket Retainer Magnets - (4 Required)
170	590-424-256	Leveling Legs - (3 Required)
180	561-928-450	Riveted Nuts
190	562-248-756	Grommet, 1.22" O.D. - (2 Required)
200	383-700-210	Temperature Sensor - (2 Required)
	383-700-213	Sensor Well - Top Sensor - 12k ohm
	383-700-214	Sensor Well - Bottom Sensor - 12k ohm
210	562-650-119	Temperature Sensor Clip - (Holds Down Sensor By Securing Sensor Wires)
N/S	591-391-998	Wire Harness, Top and Lower Temperature Sensors
N/S	591-391-999	Wire Harness, Circulator
240	511-405-146	Circulator, Taco (0015)-3-Speed With Integral Flow/Check Valve. <b>(Do Not Substitute)</b>
250	560-907-735	Circulator Flange With 90-Degree Elbow
260	563-910-026	Circulator Flange, 1" N.P.T
270	562-136-260	Circulator Flange Bolts
280	561-928-235	Circulator Flange Nuts
290	590-317-543	Circulator Flange Gasket
300	560-907-700	Flexible Boiler Water Connector, 1" N.P.T Both Ends - (Includes Rubber Grommet on Each End) 2 Required
310	561-550-096	Tee, 1" FNPT X 1" FNPT X 1" MNPT
320	Local	Bushing, 1" X ¾" N.P.T
330	383-700-209	Mixing Valve Kit, Honeywell AMX302TLF - (Includes Mixing Valve, Inlet Water Fitting, and Flexible Cold Water Connector Pipe)
340	633-500-038	T&P Relief Valve, ¾" N.P.T, 150 PSI, 105MBH
350	511-246-402	Drain Valve, ¼" N.P.T
N/S	635-500-163	Flex Line Insulation Kit - (Includes 2 Pieces Of Insulation and Instructions)



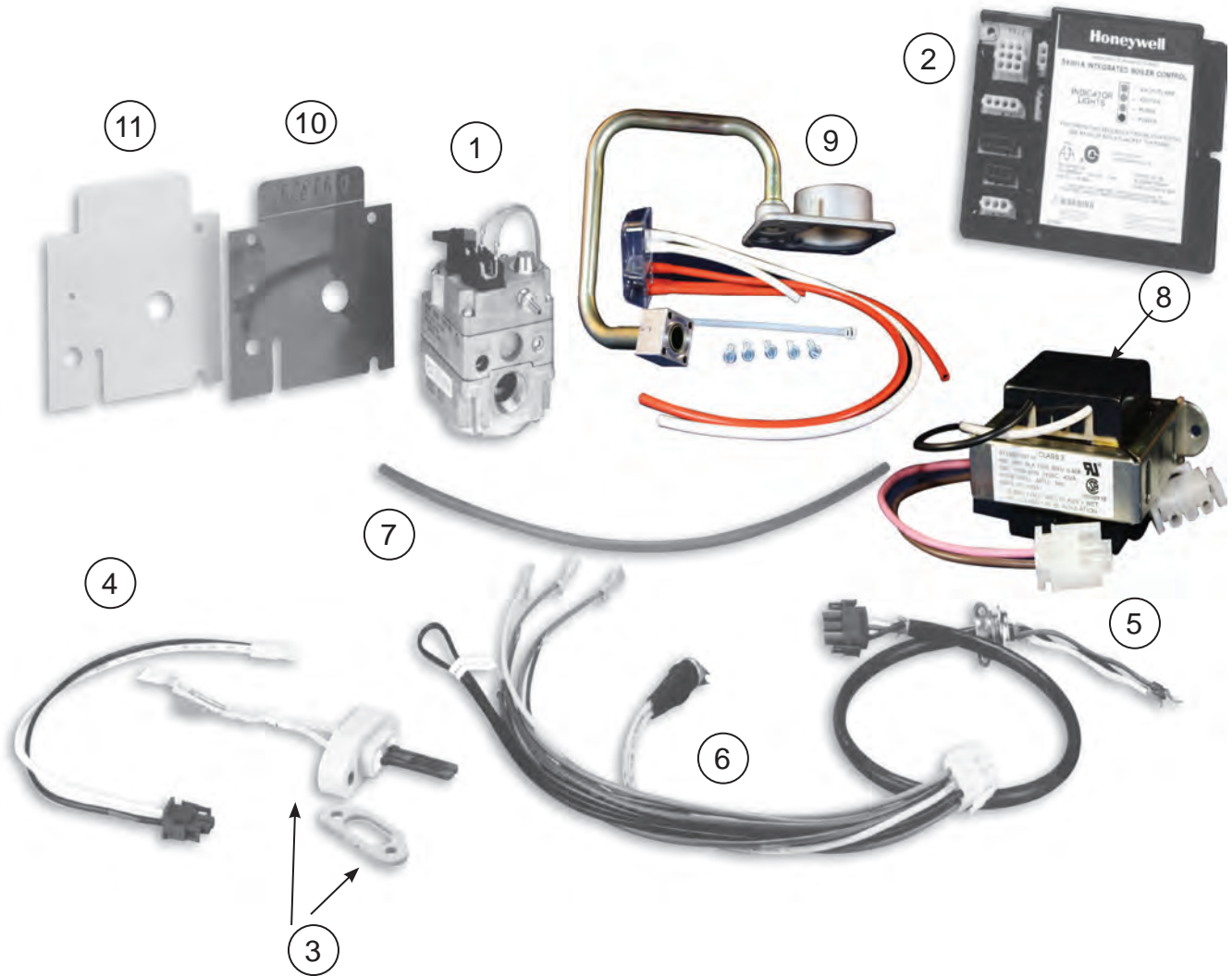
### GV - Series 1 & 2 Section Assembly



## GV - Series 1 & 2 Blower Assembly Parts

Fig. No.	Part No.	Description	Mfr.	Mfr's Part No.	Model
1	382-200-320	Burner Replacement Kit (Includes: Burner Cone And Ring Assembly, Blower Flange Gasket, Igniter, Igniter Gasket, Igniter Screws and Washers)			GV-3
	382-200-325			GV-4	
	382-200-330			GV-5	
	382-200-335			GV-6	
2	382-200-340	Blower Assembly Replacement Kit (Includes: Blower Housing Assembly, Blower Motor With Mounting Brackets, Magnetic Washer, Blower Flange Gasket, Igniter, Igniter Gasket, Screws and Washers)			
3	382-200-345	Blower Motor Replacement Kit (Includes: Blower Motor, Motor Mount Grommets, Screws, Lock Nuts, 9" Tee Handle Allen Wrench)	Fasco	7162-2941	
4	590-317-610	Blower Flange Gasket			
N/S	590-317-599	Igniter Gasket			
5	511-624-520	Pressure Switch (0 to 5,500 ft. Elevation) 1.4" W.C.	Honeywell	IS20292-5426	
	382-200-317	Pressure Switch Kit (5,500 ft. to 10,000 ft. Elevation) 1.25" W.C.	Honeywell	IS20292-5477	
6, 7	382-200-409	Sense Line Condensate Kit (Includes: 2 White Pressure Switch Tubes, 3 Red Pressure Switch Tubes and Plastic Condensate Trap)			
8	382-200-315	Inlet Air Hose Replacement Kit (Includes: 13" Black Flexible Intake Hose with Clamps)			
9	382-200-310	Inlet Air Fitting, Plastic, with Grill			
N/S	382-200-350	Vent EII Replacement Kit, Stainless Steel (Includes: Vent EII With Drain Barb, Sealant, Hose Clamp Screws and Instructions)			
10	382-200-430	Intake/Exhaust Termination Kit (Includes: Black Plastic Intake/Exhaust Cap, Mounting And Backing Plate, Hardware, and Instructions)			
N/S	699-999-021	Vent Starter/Termination Retrofit Kit (Includes: Stainless Vent EII With Drain Barb, Standard Straight 3" Stainless Starter, Stainless Termination Coupling, High Temp Silicone, Black Plastic Intake/Exhaust Plate, Stainless Wall Mount Plate, Hardware and Instructions)	Saf-T-Vent		
11	382-200-385	Hose Trap Replacement Kit (Includes: 9.5" Flexible Drain Hose and 2 Clamps)			
N/S	382-200-406	Condensate Drain Line Check Valve Kit			All
	592-900-015	Anderol 465 3 oz.			
	381-400-010	GV Bug Box - Instructions Included			All

# GV - Series 1 & 2 Gas / Ignition Controls



## GV - Series 1 & 2 Gas / Ignition Control Parts

Fig. No.	Part No.	Description	Mfr.	Mfr's Part No.	Model
1	382-200-410	Gas Valve Replacement Kit (Includes: Negative Regulation Gas Valve, Left Hand Thread Adapter for Outlet, Hand Valve, Mounting Bracket, 12 VDC, Wiring Harness With 24 Vac to 19-21 VDC Rectifier)	Honeywell	VK8115V-1176	
2	382-200-448	Gold Control Module Conversion Kit (Includes: Module, Circulator Harness, Temperature Sensor Jumper)	United Technology	1013-200	
3	511-330-148	Igniter Replacement Kit (Includes: Norton 271Y Igniter, Gasket and Screws)	Norton	271Y	
N/S	590-317-599	Igniter Gasket	Weil-McLain		
4	591-391-819	Wiring Harness – Control Module to Igniter	Weil-McLain		
5	591-391-821	Wiring Harness – Control Module to Junction Box	Weil-McLain		
6	591-391-820	Wiring Harness 9 Pin Connector, Control Module to T-Stat, Limit Switch, Pressure Switch, 24VAC Gas Valve, and Block Limit Switch. Used with White-Rodgers or Robertshaw Gas Valve	Weil-McLain		
N/S	591-391-919	Wiring Harness 9 Pin Connector, Control Module to T-Stat, Limit Switch, Pressure Switch, 19-21 VDC Gas Valve and Block Limit Switch. Used only with Honeywell VK8115V-1176 Gas Valve	Weil-McLain		
	591-391-902	Circulator Harness With Temperature Sensor Jumper - Included With 382-200-448 Conversion Kit			All
7	382-200-409	Pressure Switch Tubing – Replaced by Sense Line Condensate Kit (Includes: 2 White Pressure Switch Tubes, 3 Red Pressure Switch Tubes and Plastic Condensate Trap)			
8	511-842-370	24 volt Step Down Transformer, 40 VA	Honeywell	AT140B1297	
9	382-200-355	Gas/Air Manifold Assembly (Includes: Manifold, Die Casting, Hose Barbs, Left Hand Threaded Fitting for Gas Valve)	Weil-McLain		
10	510-811-600	Natural to Propane Conversion Kit (Includes: Propane Orifice Plate, label)	Weil-McLain		GV-3
	510-811-605				GV-4
	510-811-610				GV-5
	510-811-615				GV-6
11	510-811-620	Propane to Natural Conversion Kit (Includes: Natural Orifice Plate, label)	Weil-McLain		GV-3
	510-811-625				GV-4
	510-811-630				GV-5
	510-811-635				GV-6

### GV - Series 1 & 2 Water Trim



## GV - Series 3 & 4 Section Assembly Parts

Fig. No.	Part No.	Description	Model
1	322-200-280	Section Assembly (Repair Kit Required)	GV-3
	322-200-281		GV-4
	322-200-282		GV-5
	322-200-283		GV-6
N/S	382-200-391	Repair Kit, Section Assemblies (Includes: Water Tubing, Pump to Return, Male Adapter 1" N.P.T., Blower Flange Gasket, Ignitor, Ignitor Gasket, Screws, Studs, Nuts, Washers)	
2	312-200-150	Front Section 3913 (Repair Kit Required)	All
N/S	382-200-301	Repair Kit, Front Section (Includes: Square Cut Seals, Silicone Sealant, Tie Rod Washers, Water Tubing, Pump Tt Return, Male Adapters 1" N.P.T., Blower Flange Gasket, Ignitor, Ignitor Gasket, Screws, Studs, Washers, Nuts)	
3	312-200-110	Intermediate Section 3915 (Repair Kit Required)	All
4	312-200-130	Back Section 3918 (Repair Kit Required)	All
N/S	382-200-305	Repair Kit, Intermediate/Back Sections (Includes: Square Cut Seals, Silicone Sealant, Tie Rod Nuts, Tie Rod Washers – (1) Kit Per Joint)	
	592-800-011	Square Cut Seals For Sections, 2" - 2 Required Per Joint	All
5	560-234-499	7/16" Tie Rod Without Nut (2 Per Boiler) (10 ½")	GV-3
	560-234-525	7/16" Tie Rod Without Nut (2 Per Boiler) (14")	GV-4
	560-234-503	7/16" Tie Rod Without Nut (2 Per Boiler) (18")	GV-5
	560-234-504	7/16" Tie Rod Without Nut (2 Per Boiler) (21")	GV-6
N/S	562-248-684	Washer Medium Plain Split Lock 7/16 (1 Per Tie Rod)	All
6	452-100-170	Base Rail Leg	GV-3 & 4
	452-100-172		GV-5 & 6
7	452-100-080	Base Rail Brace	All
8	452-100-111	Blower Housing Support	All
9	382-200-375	Block Temperature Switch Kit (Includes: Block Switch (350° Open, 250° Close) and Mounting Bracket)	All
10	560-907-629	Inspection Port Cover	All
11	590-317-628	Inspection Port Gasket	All
12	590-317-653	Starter Tee Gasket	All
13	560-340-581	Stud 5/16" – 18 x 1.25	All
14	Obtain Locally	Hex Nuts 4 Each 5/16" With Nylon Lockseal, Washer, Plain, 4 Each 5/16"	All
15	699-999-029	Vent Starter Tee Reinforcing Plate Sections (2)	All

## GV - Series 3 & 4 Blower Assembly Parts

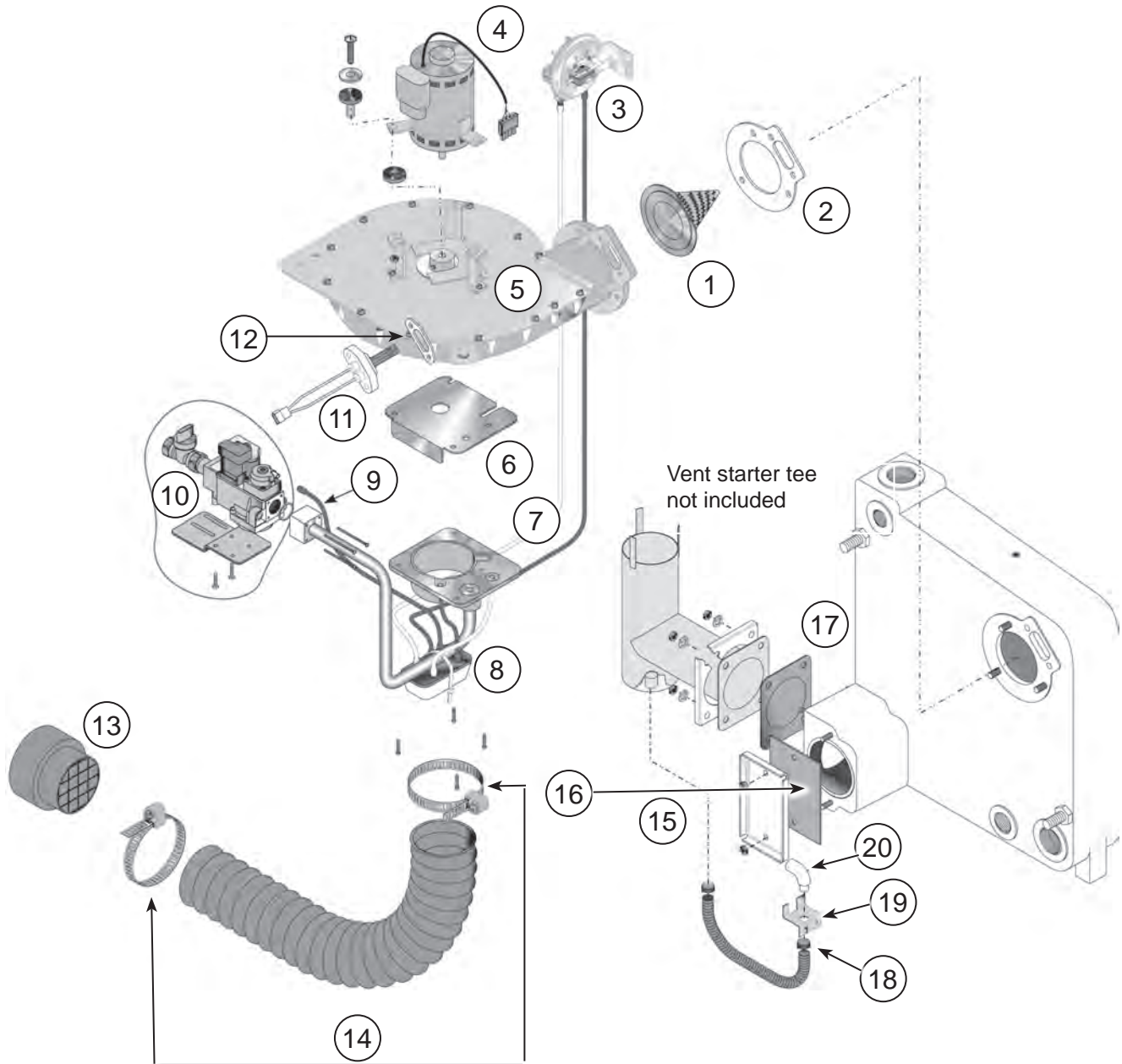


Fig. No.	Part No.	Description	Mfr.	Mfr's Part No.	Model
1	382-200-320	Burner Replacement Kit (Includes: Burner Cone And Ring Assembly, Blower Flange Gasket, Ignitor Washers, Ignitor Gasket)	Weil-McLain		GV-3
	382-200-325		Weil-McLain	GV-4	
	382-200-330		Weil-McLain	GV-5	
	382-200-335		Weil-McLain	GV-6	
2	590-317-610	Blower Flange Gasket	Weil-McLain		
3	511-624-520	Air Pressure Switch (0-5500' Elevation) - 1.4" W. C.	Tridelta	F6330-527	
	382-200-317	Air Pressure Switch Kit – High Altitude (5500 – 10,000' Elevation) - 1.25" W.C.	Tridelta	F7008-1269	

## CG/CGM - Series 1 Through 12 Section / Base Assembly Parts

Fig. No.	Part No.	Description	Series No.
1	311-103-851	Left Hand End Section 51124	9-12
2	311-103-821	Right Hand End Section 51128	9-12
3	311-103-818	Intermediate Section 51125	9-12
N/S	321-114-286	Section Assembly: CGM, P-CG(m) 25,3	9-12
	321-114-287	Section Assembly: CGM, P-CG(m) 4	9-12
	321-114-288	Section Assembly: CGM, P-CG(m) 5	9-12
	321-114-289	Section Assembly: CGM, P-CG(m) 6	9-12
	321-114-290	Section Assembly: CGM, P-CG(m) 7	9-12
	321-114-291	Section Assembly: CGM, P-CG(m) 8	9-12
	381-354-527	Section Replacement Kit (One Per Joint)	9-12
4	592-800-011	Square Cut Seal 2"	8-12
N/S	591-602-913	Retort Cement – 1 Quart	All
	591-608-915	Retort Cement - Tube - 11oz	All
	591-638-850	Silicone Sealant – RTV 700, 10.3 oz. Tube	8-12
	591-706-214	Flue-Way Brush	All
	381-354-523	Well For Limit Control	9-12
5	450-021-240	Vertical Draft Hood CG(m)-25	9-12
	450-021-241	Vertical Draft Hood CG(m)-3	9-12
	450-021-242	Vertical Draft Hood CG(m)-4	9-12
	450-021-243	Vertical Draft Hood CG(m)-5	9-12
	450-021-244	Vertical Draft Hood CG(m)-6	9-12
	450-021-245	Vertical Draft Hood CG(m)-7	9-12
	450-021-246	Vertical Draft Hood CG(m)-8	9-12
6	381-354-625	Collector Hood Replacement Kit, CG 25	11-12
	381-354-626	Collector Hood Replacement Kit, CG 3	9-12
	381-354-627	Collector Hood Replacement Kit, CG 4	9-12
	381-354-628	Collector Hood Replacement Kit, CG 5	9-12
	381-354-629	Collector Hood Replacement Kit, CG 6	9-12
	381-354-630	Collector Hood Replacement Kit, CG 7	9-12
	381-354-631	Collector Hood Replacement Kit, CG 8	9-12
N/S	560-528-989	Natural Gas Orifice 46 Drill 7/16" Hex, 1/8" N.P.T.	5-8
	560-528-990	LP Gas Orifice 56 Drill 7/16" Hex, 1/8" N.P.T.	5-8
	560-528-997	Natural Gas Orifice 2.0mm Drill, 7/16" Hex, 1/8" N.P.T.	9-12
	560-528-998	LP Gas Orifice 1.3mm Drill, 7/16" Hex, 1/8" N.P.T.	9-12
7	512-200-078	Stainless Steel Burner With Pilot Bracket, See Note 1	5-8
	512-200-077	Stainless Steel Regular Burner, See Note 1	5-12
	512-200-078	Steel Pilot Burner With Pilot Bracket, L/P-Standing Pilot, and PI Versions Only, See Note 1	9-12
	512-200-079	Steel Regular Burner With Pilot Bracket, SPN Version Only, See Note 1	9-12



## CG/CGM - Series 1 Through 12

### Section / Base Assembly Parts Continued

Fig. No.	Part No.	Description	Series No.
N/S	450-003-742	Base Burner Rest CG(m)-25	8-12
	450-003-736	Base Burner Rest CG(m)-3	8-12
	450-003-737	Base Burner Rest CG(m)-4	8-12
	450-003-738	Base Burner Rest CG(m)-5	8-12
	450-003-739	Base Burner Rest CG(m)-6	8-12
	450-003-740	Base Burner Rest CG(m)-7	8-12
	450-003-741	Base Burner Rest CG(m)-8	8-12
8	591-126-615	Manifold CG(m)-25	7-12
	591-126-616	Manifold CG(m)-3	7-12
	591-126-617	Manifold CG(m)-4	7-12
	591-126-618	Manifold CG(m)-5	7-12
	591-126-619	Manifold CG(m)-6	7-12
	591-126-556	Manifold CG(m)-7	7-12
	591-126-557	Manifold CG(m)-9	7-12
9	460-003-777	Base Front Cross Tie CG(m)-25, 3	4-12
	460-003-778	Base Front Cross Tie CG(m)-4	4-12
	460-003-779	Base Front Cross Tie CG(m)-5	4-12
	460-003-780	Base Front Cross Tie CG(m)-6	4-12
	460-003-781	Base Front Cross Tie CG(m)-7	4-12
	460-003-782	Base Front Cross Tie CG(m)-8	4-12
9B	460-003-741	Base Access Panel CG(m)-25, 3	4-12
	460-003-742	Base Access Panel CG(m)-4	4-12
	460-003-743	Base Access Panel CG(m)-5	4-12
	460-003-744	Base Access Panel CG(m)-6	4-12
	460-003-745	Base Access Panel CG(m)-7	4-12
	460-003-746	Base Access Panel CG(m)-8	4-12
10	460-003-701	Base Back Cross Tie CG(m)-25, 3	4-12
	460-003-702	Base Back Cross Tie CG(m)-4	4-12
	460-003-703	Base Back Cross Tie CG(m)-5	4-12
	460-003-704	Base Back Cross Tie CG(m)-6	4-12
	460-003-705	Base Back Cross Tie CG(m)-7	4-12
	460-003-706	Base Back Cross Tie CG(m)-8	4-12
11	460-003-710	Base Side Panel	4-12
N/S	381-354-355	Base Replacement Carton CG9(m)-25	4-12
	381-354-356	Base Replacement Carton CG(m)-3	1-12
	381-354-357	Base Replacement Carton CG(m)-4	1-12
	381-354-358	Base Replacement Carton CG(m)-5	1-12
	381-354-359	Base Replacement Carton CG(m)-6	1-12
	381-354-360	Base Replacement Carton CG(m)-7	1-12
	381-354-361	Base Replacement Carton CG(m)-8	4-12
	450-030-474	Base Pan Angle R.H.	8-12
	450-030-475	Base Pan Angle L.H.	8-12

**CG/CGM - Series 1 Through 12  
Section / Base Assembly Parts Continued**

Fig. No.	Part No.	Description	Series No.
11A	450-003-730	Base Pan CG(m)-25, 3	8-12
	450-003-731	Base Pan CG(m)-4	8-12
	450-003-732	Base Pan CG(m)-5	8-12
	450-003-733	Base Pan CG(m)-6	8-12
	450-003-734	Base Pan CG(m)-7	8-12
	450-003-735	Base Pan CG(m)-8	8-12
12	460-003-700	Radiation Plate with Horizontal Bends (1 Per Joint)	7-12
13	381-354-518	Base Replacement Insulation Carton CG(m) 25-5	4-12
	381-354-519	Base Replacement Insulation Carton CG(m) 6-9	4-12
N/S	590-424-252	Base Leg Assembly 1½" Gray (4 Per Boiler)	8-12
14	560-234-500	7/16" X 9" Tie Rod Without Nut (3 Per Boiler) CG(m)-25, 3	8-12
	560-234-501	7/16" X 12" Tie Rod Without Nut (3 Per Boiler) CG(m)-4	8-12
	560-234-502	7/16" X 15" Tie Rod Without Nut (3 Per Boiler) CG(m)-5	8-12
	560-234-503	7/16" X 18" Tie Rod Without Nut (3 Per Boiler) CG(m)-6	8-12
	560-234-504	7/16" X 21" Tie Rod Without Nut (3 Per Boiler) CG(m)-7	8-12
	560-234-505	7/16" X 24" Tie Rod Without Nut (3 Per Boiler) CG(m)-8	8-12
N/S	562-248-684	7/16" Washer Medium Plain Split Lock	8-12

**Notes:**

**Order sufficient quantities to replace all orifices within a base.**

**Number of burners:**

**CG/CGm-25: 2 main burners and 1 burner with pilot bracket**

**CG/CGm-3: 3 main burners and 1 burner with pilot bracket**

**CG/CGm-4: 5 main burners and 1 burner with pilot bracket**

**CG/CGm-5: 7 main burners and 1 burner with pilot bracket**

**CG/CGm-6: 9 main burners and 1 burner with pilot bracket**

**CG/CGm-7: 11 main burners and 1 burner with pilot bracket**

**CG/CGm-8: 13 main burners and 1 burner with pilot bracket**

## CG/CGM - Series 9 & 10 Standing Pilot Parts

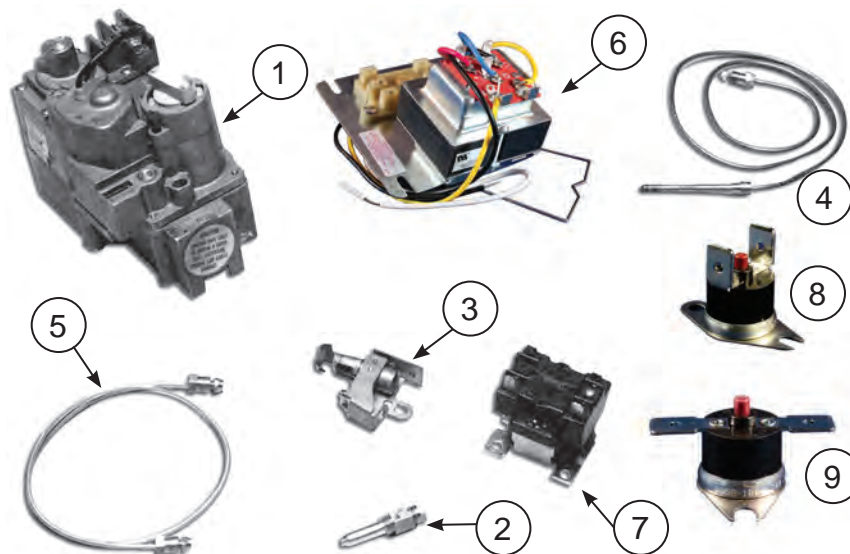


Fig. No.	Part No.	Description	Mfr.	Mfr's Part No.	Boiler Size
<b>Components for Natural Gas</b>					
1	511-044-360	Combination Gas Valve, ½" X ½" N.P.T., 24 Volt	Honeywell	VR8200A2116	25 – 6
			Robertshaw	7AO-A1B-042	
	511-044-256	Combination Gas Valve (Step Opening (1.2 step) ¾" X ¾" N.P.T., 24 Volt)	Honeywell	VR8300C4050	7 – 8
			Honeywell	VR800C1307	
2	560-528-980	Natural Gas Pilot Orifice, .018 Dia.	Beckett Gas	P18U2	All
<b>Components for Propane Gas</b>					
N/S	NA	Combination Gas Control Valve, ½" x ½" N.P.T., 24 Volt, Propane Gas, Need Regulator Below	Honeywell	VR800A-1152	25 – 6
		Propane Regulator For VR800A-1152	Honeywell	V5306B-1033	25 – 6
		Combination Gas Control Valve, ¾" x ¾" N.P.T., 24 Volt Propane Gas, Need Regulator Below, CG7 – CG8	Honeywell	VR800C-1302	7 – 8
	NA	Propane Regulator For VR800C-1302	Honeywell	V5307A-1240	7 – 8
2	560-528-985	Propane Gas Pilot Orifice, .010 Dia.	Beckett Gas	P10U1	All
<b>Components for Natural and Propane Gas</b>					
3	511-330-197	Safety Pilot Burner, Constant Burning, Thermally Supervised - Natural Gas Orifice Included - For L/P remove Natural Gas Orifice and Replace With L/P Gas Orifice.	Beckett Gas	E38A1	All
4	511-724-253	Thermocouple, 48" Long	White-Rodgers	H06E048-02B1	All
5	560-742-860	Pilot Tubing, ⅛" O.D. Alum. X 22 ¾" Long With Compression Fittings	Weil-McLain		All

## CG/CGM - Series 9 & 10 Standing Pilot Parts

Fig. No.	Part No.	Description	Mfr.	Mfr's Part No.	Boiler Size
6	510-312-166	Combination Transformer-Relay Receptacle, 120/24 Volt, 40VA	White-Rodgers	S84A-85	All
			Honeywell	R8285K-1004	All
			Products Unlimited	57-01E07C5F23	All
7	510-350-223	Plug-In Relay, DPST, 24 Volt Holding Coil	Honeywell	R8222U-1006	All
			White-Rodgers	91-322000-11000	All
6,7	510-312-167	Combination Transformer and DPST Relay, 120/24 Volt, 40 VA	Honeywell	R8285D1000	All
N/S	512-050-230	Rollout Thermal Fuse Element, 228°C	Elmwood Sensors	RD226-001	All
			Thermodisc Inc.	GM0604121C	All
8	510-300-013	Spill Switch With Reset, 210°C	Elmwood Sensor	2455RM 81740201	CG(m) 25
9	510-300-014	Spill Switch With Reset, 240° C	Elmwood Sensor	2455RM 8058081	CG(m) 3-8
<b>Standing Pilot Conversion Kits</b>					
<b>These Kits Will Retrofit CG/CGM - Series 4 Thru 12</b>					
N/S	510-811-363	Conversion Kit: Natural To Propane CGa 7-8 (Standing Pilot Only)	Weil-McLain		
	510-811-356	Conversion Kit: Propane To Natural CGa 25-6 (Standing Pilot Only)	Weil-McLain		
	510-811-357	Conversion Kit: Propane To Natural CGa 7-8 (Standing Pilot Only)	Weil-McLain		
	510-811-362	Conversion Kit: Natural To Propane CGa 25-6 (Standing Pilot Only)	Weil-McLain		

## CG/CGM - Series 7 Through 10 Spark Ignition Parts

Part No.	Description	Mfr.	Mfr.'s Part No.	Boiler Size
<b>Spark Ignition Parts Cannot Be Used With Propane Gas</b>				
510-811-458	Conversion Kit (Includes: ½" Gas Valve, Pilot Assembly with Sparker and Sensor. United Technology Control Module, Wiring and Instructions)	Weil-McLain		25-6
510-811-459	Conversion Kit (Includes: ¾" Gas Valve, Pilot Assembly with Sparker and Sensor. United Technology Control Module, Wiring and Instructions)	Weil-McLain		7-8
<b>Johnson G60 Pilot Assembly Repair Parts</b>				
511-330-163	Pilot Assembly, Natural Gas, Includes Sparker and Sensor and Wires	Johnson	J992 LYW 7125	All
511-724-264	Flame Sensor For Above Pilot Assembly	Johnson	Y75AA-3	All
511-724-270	Sensor Wire For Above Pilot Assembly	Johnson	Y57HH-30	All
<b>Common Control Parts for Series 7 - 10</b>				
510-312-250	High Limit Temperature Control, Auto Recycle, 140-240° F, 30° Fixed Subtractive Differential, With ½" N.P.T Well	Honeywell	L4080D-1036	All
510-312-166	Combination Transformer-Relay Receptacle, 120/24 Volt, 40VA	Honeywell	R8285K-1004	All
510-350-223	Plug-In Relay, DPST, 24 Volt Holding Coil	Honeywell	R8222U-1006	All
510-312-167	Combination Transformer and DPST Relay, 120/24 Volt, 40 VA	Honeywell	R8285D1000	All
512-050-230	Rollout Thermal Fuse Element, 228° C	Elmwood Sensors	RD226-001	All
		Thermodisc Inc.	GM0604121C	
510-300-013	Spill Switch with Reset, 210° C	Elmwood Sensor	2455RM 81740201	CG(m) 25
510-300-014	Spill Switch with Reset, 240° C	Elmwood Sensor	2455RM 8058081	CG(m) 3-8

## CG/CGM- Series 10 Millivolt Parts

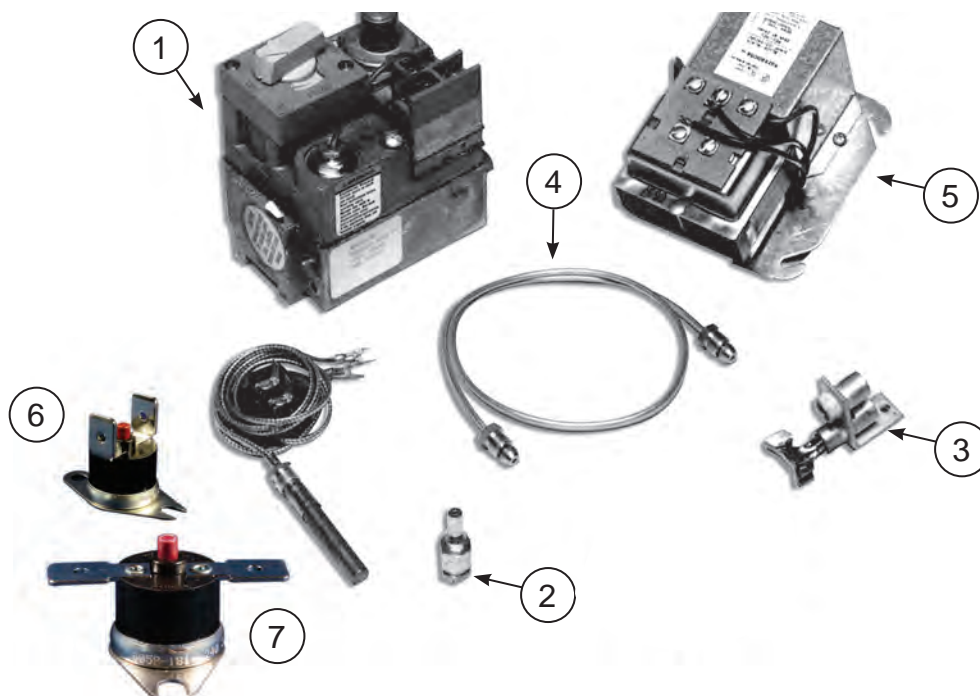


Fig. No.	Part No.	Description	Mfr.	Mfr.'s Part No.	Boiler Size
<b>Components for Natural Gas</b>					
1	N/A	Combination Gas Valve, ½" X ½" N.P.T., Milli-Volt	Honeywell	VS820A-1252	25 – 6
2	560-528-950	Natural Gas Pilot Orifice, .026 Dia.	Beckett Gas	P18U2	All
<b>Components for Propane Gas</b>					
1	NA	Combination Gas Control Valve, ½" x ½" N.P.T., 24 Volt, Propane Gas, Need Regulator Below	Honeywell	VS820A-1286	25 – 6
	NA	Combination Gas Control Valve (¾" x ¾" N.P.T., Milli-Volt, Step Opening With 3.0 Step, Need Propane Regulator Below)	Honeywell	VS820C-1381	7 – 8
	NA	Propane Regulator	Honeywell	V5307A-1240	7-8l
<b>Components for Natural and Propane Gas</b>					
3	511-330-186	Safety Pilot Burner, Constant Burning, Thermally Supervised	Honeywell	Q327A-1642	All
4	560-742-860	Pilot Tubing, ⅛" O.D. Alum. X 22 ¾" Long With Compression Fittings	Weil-McLain		All
5	510-312-167	Combination Transformer and DPST Relay, 120/24 Volt, 40 VA	Honeywell	R8285D1000	All
N/S	512-050-230	Rollout Thermal Fuse Element, 228°C	Elmwood Sensors	RD226-001	All
			Thermodisc Inc.	GM0604121C	All
6	510-300-013	Spill Switch with Reset, 210°C	Elmwood Sensor	2455RM 81740201	25
7	510-300-014	Spill Switch with Reset, 240°C	Elmwood Sensor	2455RM 8058081	3-8

## CG/CGM - Series 10 Water Trim Parts



Fig. No.	Part No.	Description	Mfr.	Mfr.'s Part No.
1	510-312-250	High Limit Temperature Control, Auto Recycle, 140-240°F Fixed Subtractive Differential With ½" N.P.T. Well	Honeywell	L4080D-1250
2	383-500-095	ASME Pressure Relief Valve, Set To Relieve At 30 PSIG, ¾" N.P.T. Male Inlet	Watts	335
			Conbraco	10-408-05
3	380-000-000	Combination Pressure-Temperature Gauge, 3" Dia., 0-75 PSIG, 60-320°F, Short Shank, Back Connection, ¼" N.P.T.	Amekai	OS234-JDTW-001
4	511-210-423	Drain Valve, ¾" N.P.T., 1½" Shank, Brass		
5	511-405-113	Circulator, 1/25 HP, 120/60/1 Motor, 1,750 R.P.M., .75 Amps	Taco	007
	511-405-115	Circulator, 1/12 HP, 120/60/1 Motor, 1,750 R.P.M.	Bell & Gossett	100 Series
6	590-317-543	Circulator Gasket for Taco 007, (Two Required Per Circulator)	Taco	110-339
	590-317-542	Circulator Gasket for B & G 100, (Two Required Per Circulator)	Bell & Gossett	PO320
7	381-354-530	Circulator Hardware Kit (Includes: 1 Flange, 2 Bolts, 2 Nuts, Diamond Gasket, ¾" N.P.T.)	Weil-McLain	
	381-354-525	Circulator Hardware Kit (Includes: 1 Flange, 2 Bolts, 2 Nuts, Diamond Gasket, 1" N.P.T.)	Weil-McLain	
	381-354-526	Circulator Hardware Kit (Includes: 1 Flange, 2 Bolts, 2 Nuts, Diamond Gasket, 1¼" N.P.T.)	Weil-McLain	
	381-354-531	Circulator Hardware Kit (Includes: 1 Flange, 2 Bolts, 2 Nuts, Diamond Gasket, 1½" N.P.T.)	Weil-McLain	
8	510-632-088	Fill-Trol Diaphragm Expansion Tank with O-ring and Machine Thread Connector to Fill Valve, Tank Only	Amtrol	109
	510-632-089	Fill-Trol Diaphragm Expansion Tank with O-ring and Machine Thread Connector to Fill Valve, Tank Only	Amtrol	110
N/S	511-210-434	Fill Valve Angle Style-90 with Built-in Strainer, Pressure Reducer, Check Valve Requires User Provided Shut-Off Valve	Conbraco	119-110-900

## CG/CGM - Series 11 & 12 Standing Pilot Parts

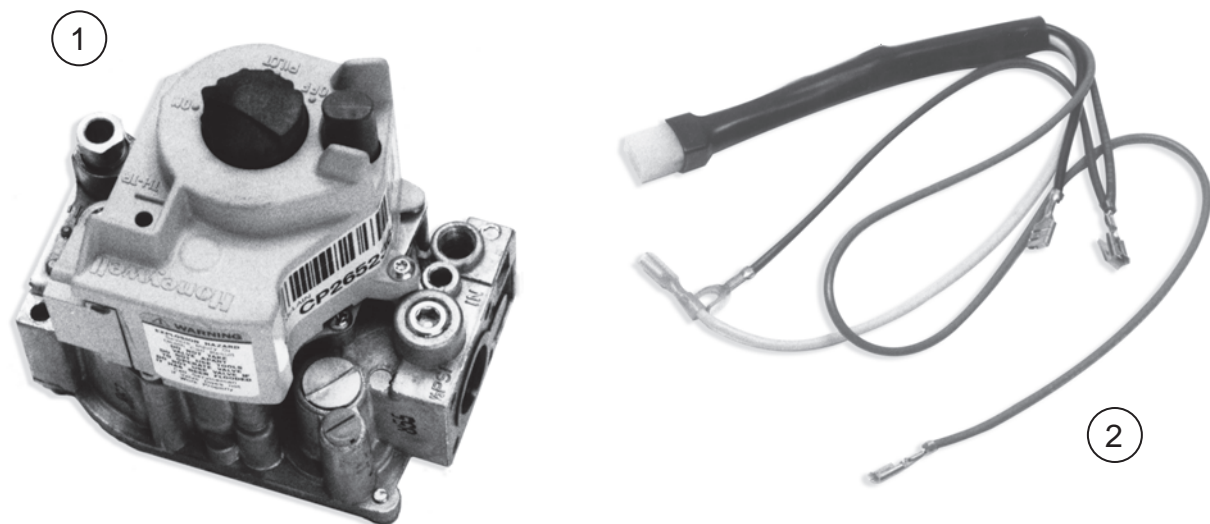


Fig. No.	Part No.	Description	Mfr.	Mfr.'s Part No.	Boiler Size
<b>Components for Natural Gas</b>					
1	511-044-360	Combination Gas Valve, ½" X ½" N.P.T., 24 Volt	Honeywell	VR8200A2116	25 – 6
			Robertshaw	7AO-A1B-042	
	511-044-256	Combination Gas Valve (Step Opening (1.2 Step) ¾" X ¾" N.P.T., 24 Volt)	Honeywell	VR8300C4050	7 – 8
			Honeywell	VR800C1307	
	510-811-644	Natural Gas Pilot Replacement Kit (Includes: Main Burner with Pilot Bracket, Pilot Burner, Thermocouple)	Honeywell	Q350A1305	All
	511-724-254	Thermo-couple 30", Screw In (Natural Gas)			
<b>Components for Propane Gas</b>					
1	381-356-534	Combination Gas Valve, ½" x ½" N.P.T., 24 Volt	Honeywell	VR8200A1074	25 – 6
			Honeywell	VR82A2280	25 – 6
	511-044-257	Combination Gas Control Valve, ¾" x ¾" N.P.T., 24 Volt	Honeywell	VR800C-1307	7 – 8
	510-811-646	LP Gas Pilot Replacement Kit (Includes: Main Burner with Pilot Bracket, Pilot Burner, Thermocouple)	Honeywell	Precision Speed Equipment	E38A2
	511-724-253	Thermo-couple 48", Push In (Propane Gas)			
<b>Components for Natural and Propane Gas</b>					
N/S	591-391-862	Wiring Harness ( <b>Series-12 Only</b> )	Weil-McLain		
	560-742-860	Pilot Tubing, ⅛" O.D. Alum. X 22 ¾" Long With Compression Fittings	Weil-McLain		All
	510-811-648	Pilot Regulator Kit (Includes: Maxitrol RV-12 Regulator, Tubing and Fittings)	Maxitrol	RV-12LT	25-3
2	591-391-780	Wiring Harness for Standing Pilot Damper-( <b>Series 12 Only</b> )			



CGs  
Section Assembly Parts

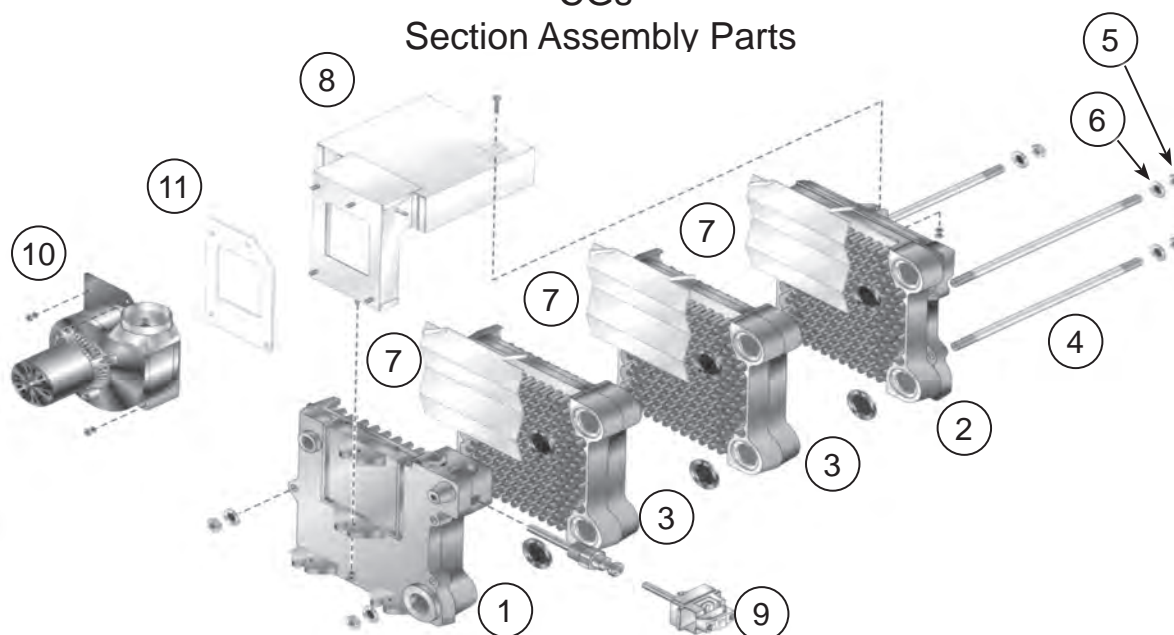


Fig. No.	Part No.	Description	Mfr.	Mfr.'s Part No.	Boiler Size
1	311-103-850	End Section, Left Hand, Cast #51124			All
2	311-103-821	End Section, Right Hand, Cast #51128			All
3	311-103-818	Intermediate Section, Cast #51128			All
N/S	321-114-286	Replacement Section Assembly			3
	321-114-287				4
	321-114-288				5
	321-114-289				6
	381-354-527		Section Replacement Kit (Includes: Seals and Sealant For (1) Joint)		
4	560-234-500	Tie Rod, 7/16" X 9" Without Nut (3 Per Boiler)			3
	560-234-501	Tie Rod, 7/16" X 12" Without Nut (3 Per Boiler)			4
	560-234-502	Tie Rod, 7/16" X 15" Without Nut (3 Per Boiler)			5
	560-234-503	Tie Rod, 7/16" X 18" Without Nut (3 Per Boiler)			6
5	561-928-235	Nut, 7/16" (2 Per Tie Rod)			All
6	562-248-684	Washer, Lock 7/16" (1 Per Tie Rod)			All
7	460-003-700	Radiation Plate (1 Per Joint)			All
8	381-354-590	Collector Hood And Transition Assembly			3
	381-354-591				4
	381-354-592				5
	381-354-593				6
	381-354-601				4E
9	510-312-250	High Limit 30° Subtractive Differential With Well	Honeywell	L4080D-1036	All
			White-Rogers	11B81-3	
10	381-356-499	Inducer Fan Assembly Kit (Includes: Inducer, Fan Assembly, Gasket And Nuts)	Fasco	7021-10410	All
				7062-5326	
11	590-317-627	Gasket, Inducer Terminator			All
N/S	382-200-430	Vent/Air-Intake Kit (Includes: Intake/Exhaust Cap, Coupling, Mounting & Backing Plate And Hardware)			All

## CGi - Series 1 Water Trim Parts

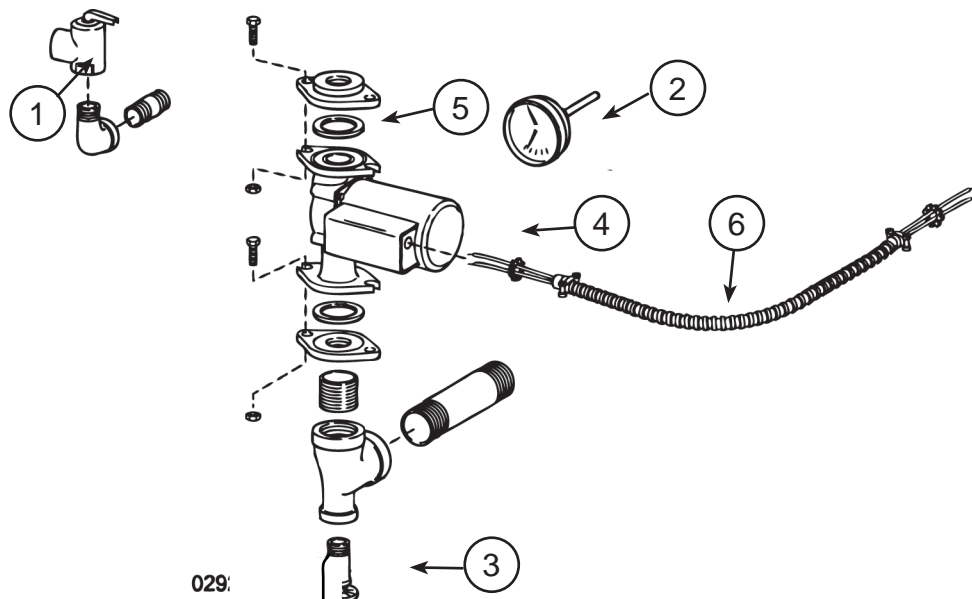


Fig. No.	Part No.	Description	Mfr.	Mfr's Part No.
1	383-500-095	ASME Pressure Relief Valve, 30 PSIG, 3/4" Male Inlet	Watts	M335
			Conbraco	
2	380-000-000	Combination Pressure-Temperature Gauge, 3" Dia., 0-75 PSIG, 60-320°F, Short Shank, Back Connection, 1/4" N.P.T.	Amekai	OS234-JDTW-001
3	511-210-423	Drain Valve, 3/4" N.P.T, 1 1/2" Shank	Conbraco	31-606-01
4	511-405-115	Circulator	Bell & Gossett	100
	511-405-113	Circulator	Taco	007
5	590-317-535	Circulator Gasket, Diamond Universal (Two Per Boiler)	Weil-McLain	
6	591-319-793	Wiring Harness For Circulator		
N/S	381-354-530	Circulator Hardware Kit (Includes: 1 Flange, 2 Bolts, 2 Nuts, 1 Gasket, 3/4" N.P.T) Fits Taco Circulators	Weil-McLain	
	381-354-525	Circulator Hardware Kit (Includes: 1 Flange, 2 Bolts, 2 Nuts, 1 Gasket, 1" N.P.T) Fits Taco Circulators	Weil-McLain	
	381-354-526	Circulator Hardware Kit (Includes: 1 Flange, 2 Bolts, 2 Nuts, 1 Gasket, 1 1/4" N.P.T) Fits Taco Circulators	Weil-McLain	

## CGi - Series 1 Gas Control Parts

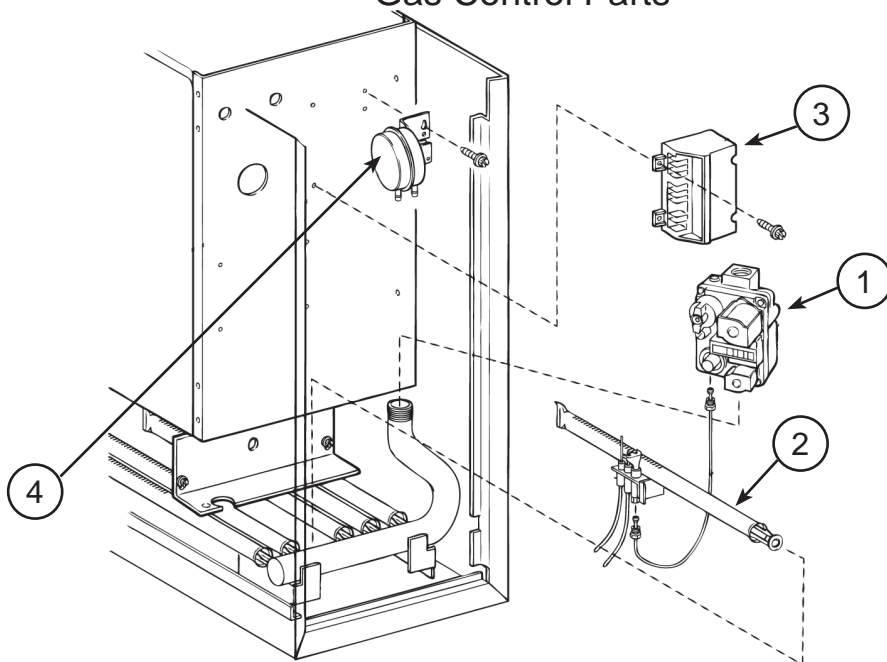
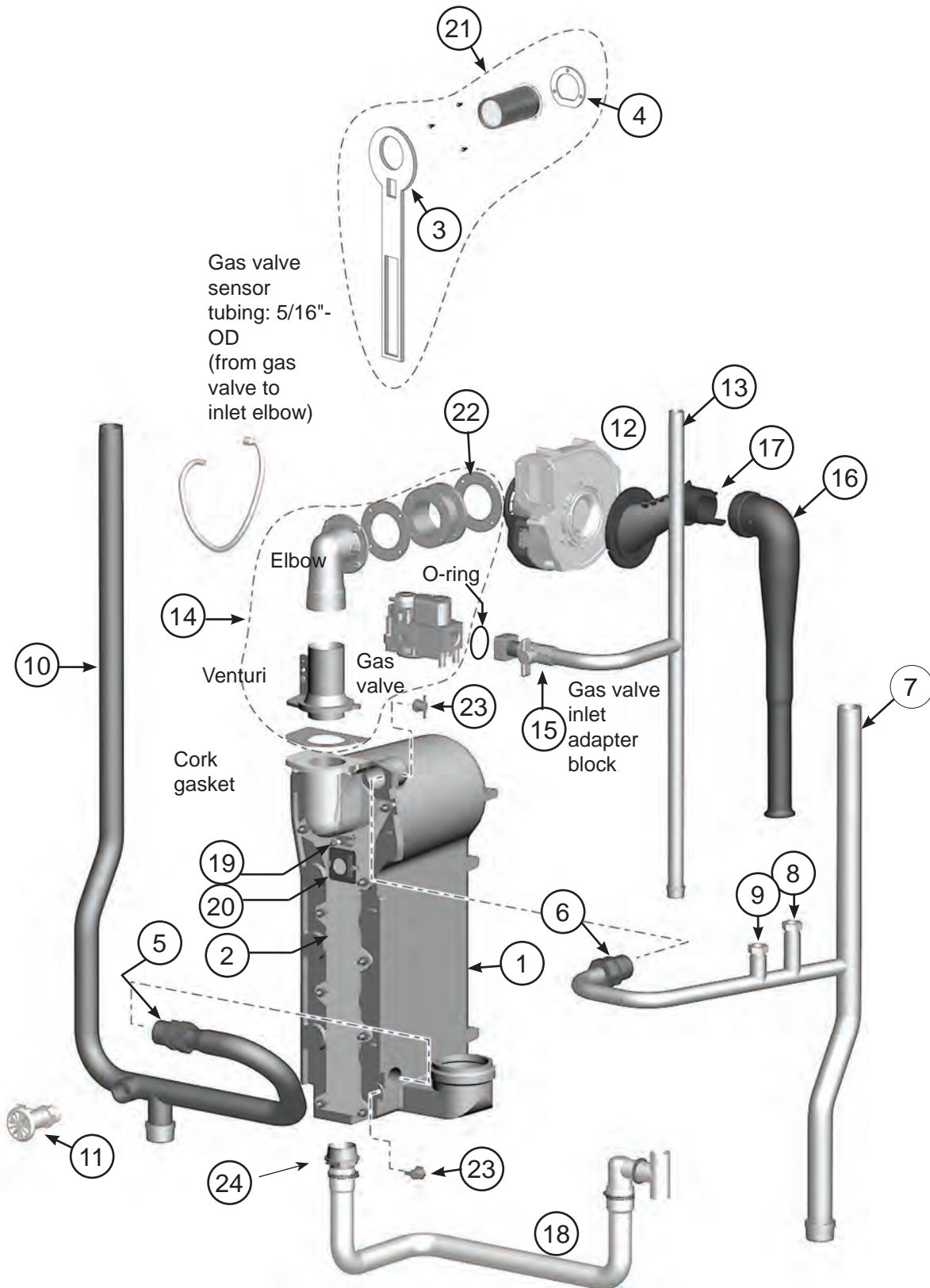


Fig. No.	Part No.	Description	Mfr.	Mfr's Part No.	Boiler Size
1	511-044-381	Gas Valve, ½" X ½", Natural, CGi 25-6	Honeywell	VR8204A2001	25 thru 6
			Robertshaw	7D1-D5B-029	
			White-Rodgers	36E36-266-S1	
	511-044-353	Gas Valve, ¾" x Natural	Honeywell	VR8304M4002	7
	511-044-354	Gas Valve, ½" x ½", Propane	Honeywell	VR8204M2701	25, 6
	511-044-355	Gas Valve, ¾" x ¾", Propane	Honeywell	VR8304M4010	7
2	510-811-221	Pilot Assembly Kit (Includes: Orifice and Burner with Pilot Bracket, Wires and Pilot Tubing) Natural Gas	Weil-McLain		All
	510-811-222	Pilot Assembly Kit (Includes: Orifice and Burner with Pilot Bracket, Wires and Pilot Tubing ) Propane	Weil-McLain		All
3	511-330-099	Ignition Control Module	United Technologies	1003-513	All
N/S	560-742-860	Pilot Tubing, ⅛" O.D., Aluminum	Weil-McLain		All
4	511-624-450	Pressure Differential Switch, 1.18" W.C., 0' to 1,999' Altitude	Honeywell	IS20312-5488	25, 3, 4
	511-624-451	Pressure Differential Switch, .96" W.C., 2,000' to 10,000' Altitude	Honeywell	IS20312-5487	
		Pressure Differential Switch, .96" W.C., 0' to 1,999' Altitude			
	511-624-452	Pressure Differential Switch, .75" W.C., 2,000' to 10,000' Altitude	Honeywell	IS20312-5486	5
		Pressure Differential Switch, .75" W.C., 0 to 1,999' Altitude			
	511-624-453	Pressure Differential Switch, .59" W.C., 2,000' to 10,000' Altitude	Honeywell	IS20312-5485	6
Pressure Differential Switch, .59" W.C., 0' to 1,999' Altitude					
511-624-432	Pressure Differential Switch, .48" W. C., 2,000' to 10,000' Altitude	Honeywell	IS20312-5489	7	

## Ultra Boiler - Series 1 & 2 Jacket Assembly Parts Continued

Fig. No.	Part No.	Description	Model	Mfr.
6	560-900-001	Flue Outlet Pipe Adapter, 3"	80,105	
	383-500-656	Flue Outlet Pipe Adapter, 3"	155	
	383-500-657	Flue Outlet Pipe Adapter, 4"	230, 310	
7	383-500-165	Top Cover, Front		
8	595-000-006	Top Cover, Rear	310	
9	383-500-175	Electrical Cabinet Door		
N/S	383-500-133	Door Gasket Replacement Kit		
	383-500-245	120v Electrical Socket		
	592-800-022	3" Blue Intake And Vent Gasket For Top of Fitting	80,105,155	
	592-800-023	4" Blue Intake And Vent Gasket For Top of Fitting	230, 310	
	590-318-007	70mm Blue Gasket For Bottom of Vent Fitting Into Aluminum Casting	80, 105	
	590-318-003	80mm Blue Gasket For Bottom of Vent Fitting Into Aluminum Casting	155	
	590-318-004	100mm Blue Gasket For Bottom of Vent Fitting Into Aluminum Casting	230, 310	
	590-318-011	Flue Sensor Grommet	All	

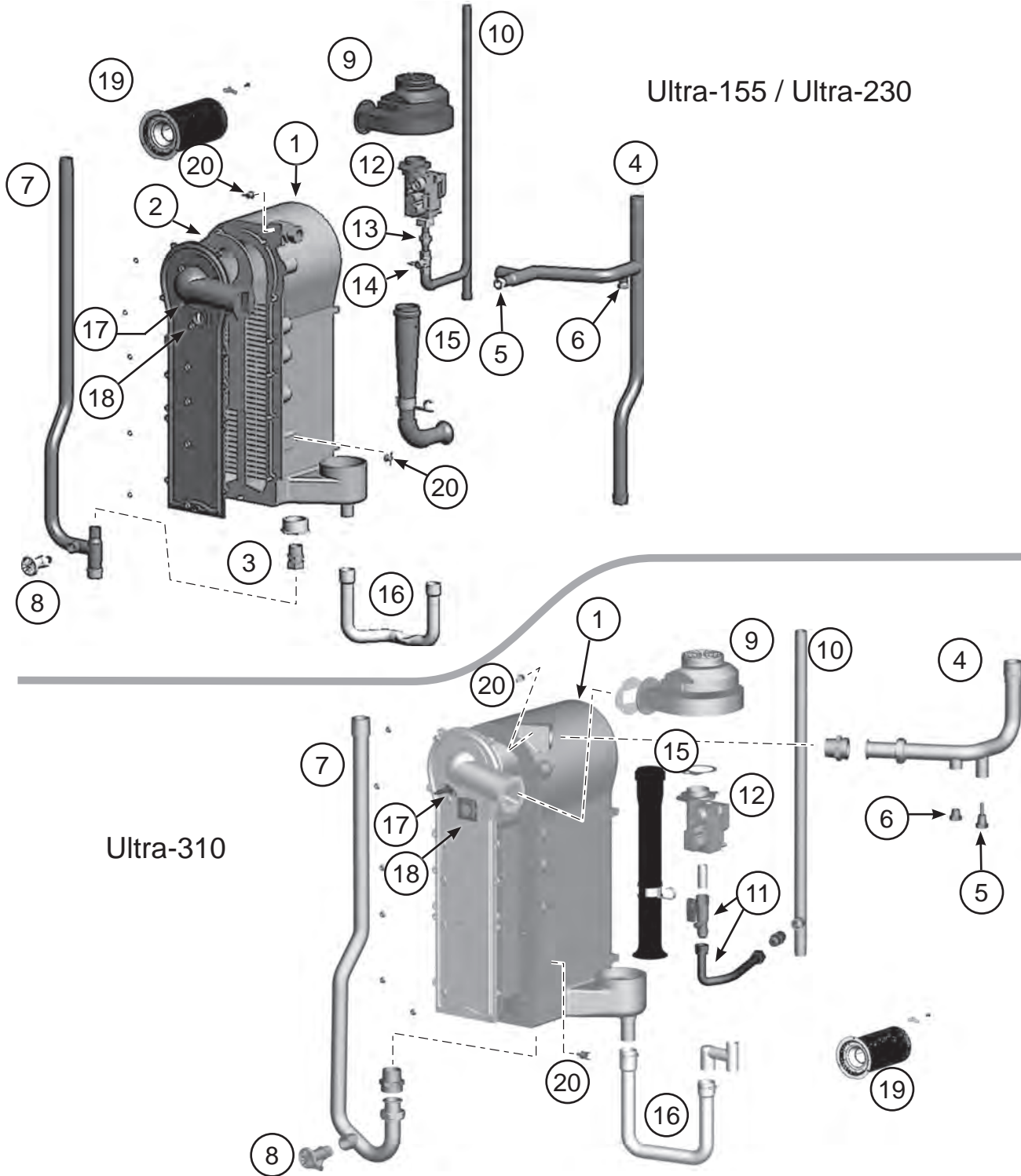
### Ultra Boiler - Series 1 & 2 Heat Exchanger / Piping - Ultra-80/105



## Ultra Boiler - Series 1 & 2 Heat Exchanger / Piping Parts - Ultra-80/105

Fig. No.	Part No.	Description	Boiler Model
1	383-500-612 383-500-613 383-500-614	Heat Exchanger Replacement Kit (Includes: Heat Exchanger, Cover Plate, Burner, Electrode, Water Sensors, Compression Fittings, Condensate Fitting, Gaskets and Hardware)	80NG 80LP 105
2	383-501-022	Cover Plate Replacement Kit (Includes: Cover Plate, Cover Plate Gasket, Burner Gasket and Hardware)	80, 105
3	591-200-000	Cover Plate Gasket/Insulation	80, 105
4	590-300-000	Burner Gasket	80, 105
5	383-500-260	Water Compression Fitting, 28mm Return	80, 105
6	564-100-002	Water Compression Fitting, 22mm Supply	80, 105
7	383-501-036	Water Supply Piping Assembly (Includes: Pipe, Temperature Well, Check Valve, Cap (Assembled) and Compression Fitting)	80, 105
8	383-500-270	½" N.P.T. Well for Temperature Gauge	ALL
9	383-500-275	Pressure/Temperature Gauge Check Valve	ALL
10	383-501-037	Return Water Pipe Assembly (Includes: Pipe, Drain Valve, Cap (Assembled) and Compression Fitting)	80, 105
11	511-246-392	Boiler Drain Valve, ¾" N.P.T.	ALL
12	383-501-027	Blower Assembly Kit (Includes: Blower, Gasket and Hardware)	80, 105
13	383-501-038	Gas Pipe Assembly (Includes: Gas pipe, Shut-Off Valve, 1½" Nipple, Adapter Block, O-ring and Hardware)	80, 105
N/S	563-910-031	Gas Valve Block (Includes Block, O-ring, and Screws)	All
14	383-501-029	Gas Valve/Venturi Kit (Includes: Gas valve, Venturi, 90° Elbow, Gaskets, and Hardware (Assembled)) (For LP boilers, Make Sure To Reinstall The Existing Propane Orifice)	80
	383-501-030	Gas Valve/Venturi Kit (Includes: Gas valve, Venturi, 90° Elbow, Gaskets, and Hardware (Assembled)) (For LP boilers, Make Sure To Reinstall The Existing Propane Orifice)	105
15	Obtain Locally	Manual Gas Valve, ½" N.P.T.	80, 105
16	383-501-026	Air Silencer Kit (Includes: Air Silencer and Gasket)	80, 105
17	383-501-025	Air Silencer Adapter Kit (Includes: Air Silencer Adapter and Hardware)	80, 105
18	383-501-031	Condensate Trap Kit (Includes: Condensate Trap, Hose Clamps, PVC Fittings and Gasket)	80, 105
19	383-500-045	Ignition Electrode Kit (Includes: Ignition Electrode, Suppressor, Gasket and Hardware)	ALL
N/S	511-330-253	Igniter Gasket	All
	383-500-050	Ignition Cable Kit (Includes: Ignition Cable, Suppressor and Wire Tie)	ALL
20	383-500-020	Inspection Glass Kit (Includes: Bracket, Glass, Gasket and Hardware)	ALL
21	383-501-032 383-501-033 383-501-034	Burner Replacement Kit (Includes: Burner, Gaskets and Hardware)	80NG 80LP 105
N/S	383-900-090	Burner Insert Repair Kit (Includes Drill, Tap, Inserts, Screws, Instructions)	All
22	590-300-003	Gasket Rubber, Blower	80, 105
23	383-500-300	Return/Supply Sensor Kit-- (1) Sensor	80, 105
N/S	590-317-310	Cork Gasket (Goes Between Gas Valve Venturi and Burner Inlet)	ALL
	560-340-598	Cover Plate Studs, M6, 1 Pitch	ALL
	561-928-449	Cover Plate Nuts, M6, 1 Pitch	ALL
24	561-200-000	Condensate Fitting	80/105

### Ultra Boiler - Series 1 & 2 Heat Exchanger / Piping Ultra-155 / 230 / 310



**Ultra Boiler - Series 1 & 2**  
**Heat Exchanger / Piping Parts**  
**Ultra-155 / 230 / 310**

Fig. No.	Part No.	Description	Model
1	383-500-621	Heat Exchanger Replacement Kit (Includes: Heat Exchanger, Cover Plate, Burner, Electrode, Water Sensors, Compression Fittings, Condensate Fitting, Gaskets and Hardware)	155
	383-500-622		230
	383-500-623		310
N/S	383-500-395	Cover Plate Replacement Kit (Includes: Cover Plate, Cover Plate Gasket, Burner Gasket and Hardware)	155, 230, 310
2	383-500-250	Cover Plate Insulation/Burner Gasket	155, 230, 310
N/S	383-500-255	Cover Plate Gasket	155, 230, 310
3	383-500-260	Water Compression Fitting, 28mm Supply/Return	155, 230
4	383-500-265	Water Supply Piping Assembly (Includes: Pipe, Temperature Well, Check Valve, Cap (Assembled) and Compression Fitting)	155, 230
	383-500-380	Water Supply Piping Assembly (Includes: Pipe, Temperature Well, Check Valve, Cap (Assembled) and Compression Fitting)	310
5	383-500-270	½" N.P.T. Well for Temperature Gauge	All
6	383-500-275	Pressure/Temperature Gauge Check Valve	All
N/S	383-500-280	Return Water Bushing, 1¼"BSP x 1"BSP (Not Used On Ultra 310)	155, 230
7	383-500-285	Return Water Pipe Assembly (Includes: Pipe, Drain Valve, Cap (Assembled) and Compression Fitting)	155, 230
	383-500-385	Return Water Pipe Assembly (Includes: Pipe, Drain Valve, Cap (Assembled) and Compression Fitting)	310
8	511-246-392	Boiler Drain Valve ¾" N.P.T.	All
9	383-500-035	Blower Assembly Kit (Includes: Blower, Gasket And Hardware)	155
	383-500-040	Blower Assembly Kit (Includes: Blower, Gasket, Molex Adapter and Hardware)	230
	383-500-360	Blower Assembly Kit (Includes: Blower, Gasket And Hardware)	310
10	383-500-290	Gas Pipe Assembly (Includes: Gas Pipe and Shut-off Valve)	155, 230
	560-907-679	Gas Pipe	310
11	560-900-016	Flexible Gas Line Section and Shut-off Valve	310
N/S	563-910-031	Gas Valve Inlet Block (Includes Block, O-ring, and Screws)	All
	383-600-002	Gas Valve - O-Rings (Package Of Ten)	
12	383-500-025	Gas Valve/Venture Kit (Includes: Gas Valve/Venturi Assembly, and Hardware) (For LP Boilers, Make Sure To Reinstall The Existing Propane Orifice)	155
	383-500-030		230
	383-500-390		310
13		Ground Joint Union, ½" N.P.T.	155, 230
14		Manual Gas Valve, ½" N.P.T.	155, 230
15	383-500-295	Air Silencer Kit (Includes: Air Silencer and Gasket)	155, 230
	383-500-355		310
16	383-500-060	Condensate Trap Kit (Includes: Condensate Trap, Hose Claps, PVC Fittings and Gasket)	155
	383-500-060		230
	383-500-365		310
17	383-500-045	Ignition Electrode Kit (Includes: Ignition Electrode, Suppressor, Gasket and Hardware)	All



**Ultra Boiler - Series 1&2**  
**Heat Exchanger / Piping Parts Continued**  
**Ultra 155 / 230 / 310**

Fig. No.	Part No.	Description	Model
N/S	383-500-050	Ignition Cable Kit (Includes Ignition Cable, Suppressor, and Wire Tie)	All
18	383-500-020	Inspection Glass Kit (Includes Glass, Bracket, Gasket, and Hardware)	All
19	383-500-085	Burner Replacement Kit (Includes Burner, Gasket, and Hardware), Series 1&2, Natural Gas or Propane	155
	383-500-090		230
	383-500-407		310
N/S	383-900-090	Burner Insert Repair Kit (Includes 6.9 MM Drill, Tap, Inserts, Screws, and Instructions)	155,230,310
	383-500-660	Burner Locking Plate Kit (Includes 3 screws, and 3 locking plates)	155,230,310
20	383-500-300	Return/Supply Sensor (Includes 1 Sensor) ( 12 kohms)	All
N/S	562-248-755	Square Cut Gasket For Ultra 310 Supply/Return Compression Fittings Garlock	All
	561-326-828	Fitting Double Nipple For Ultra 310 Supply/Return- 1½"	
	511-330-253	Ignitor Gasket	All
	590-317-310	Cork Gasket (Goes Between Gas Valve Venturi and Blower)	All
	590-318-006	Gasket, Rubber (Goes Between Blower and Cover Plate)	All
	562-248-755	Gasket, Garlock (Supply/Return Fitting)	310

## Ultra Boiler - Series 1 & 2 Control Parts

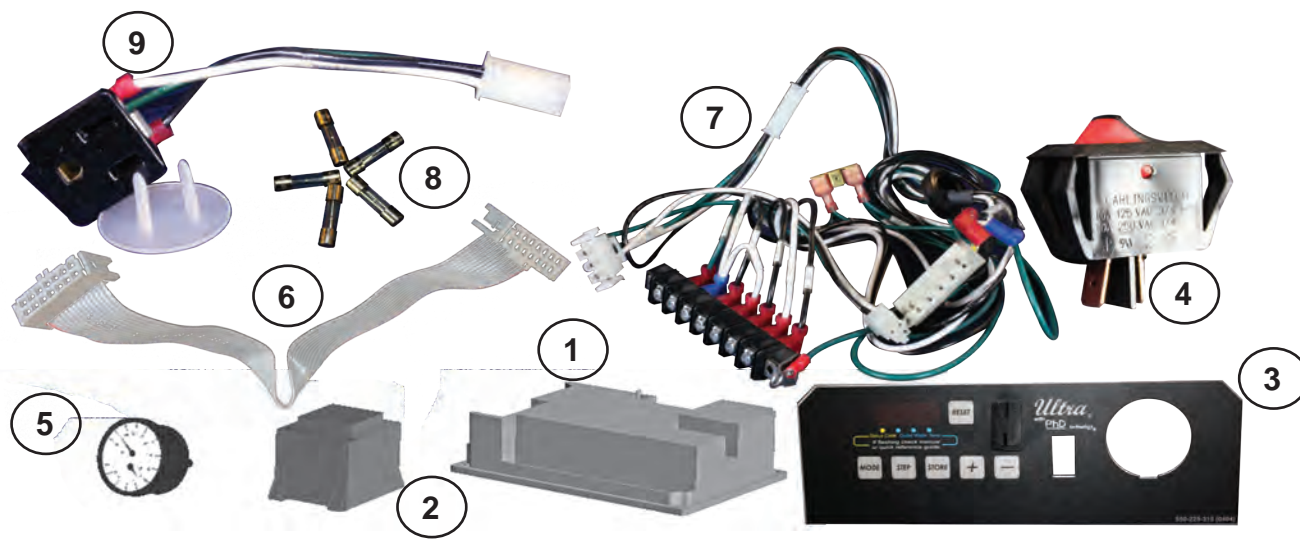


Fig. No.	Part No.	Description	Model	Mfr.	Mfr.'s Part No.
1	383-500-190	Ultra Control Module - (MCBA)	80, 105, 155, 230		
	383-500-191		310		
2	383-500-195	Transformer, 120v/24v			
3	383-500-408	Display Board Kit (Includes: Display, Bracket, Label, Off-Set and Ribbon Cable)			
4	383-500-205	On/Off Power Switch			
5	383-500-210	Pressure/Temperature Gauge Assembly (Includes: Temperature and Pressure Sensor)			
6	383-500-215	Ribbon Cable, Control Module to Display Board			
N/S	591-300-002	Low Voltage Wire Harness Assembly - (Includes Wire Harness, Terminal Strip, and Resistor)	80, 105		
	383-500-220		155, 230		
	591-391-941		310		
7	591-300-001	High Voltage Wire Harness Assembly - (Includes Wire Harness)	80, 105		
	383-500-230		155, 230,		
	591-391-940		310		
8	383-500-235	Control Model Fuses (F-1 Is 5-Amp, Fast-Blow (5 Fuses)			
	383-500-240	Control Model Fuses (F-3 Is 4-Amp, Slow-Blow (5 Fuses)			
9	383-500-245	120v, 3-Wires Receptacle			
N/S	510-350-200	Circulator Relay	310	White-Rodgers	90-362 SPST, 120 VAC
	591-391-927	Gas Valve Plug	155, 230, 310		
	591-850-570	Data Port Cover (Series 2 Only)			

## Ultra Boiler - Series 1 & 2 Miscellaneous Parts and Kits

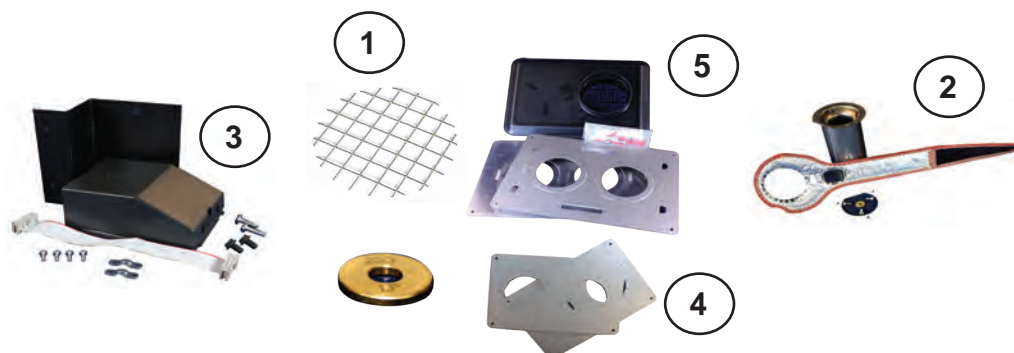


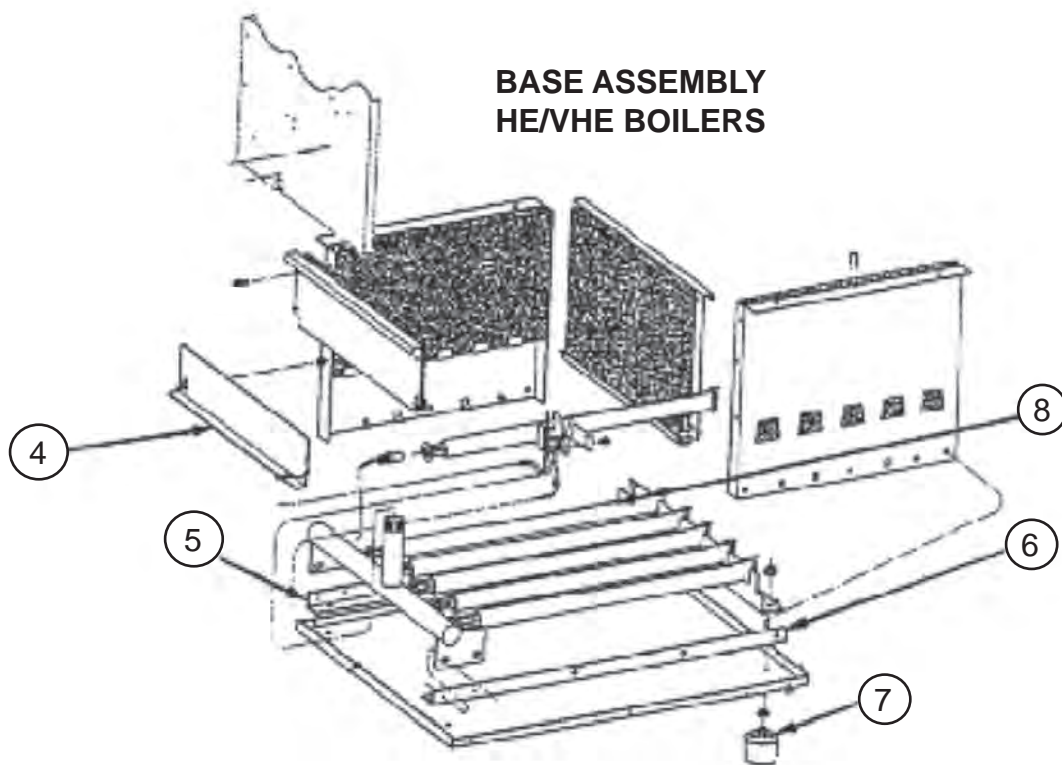
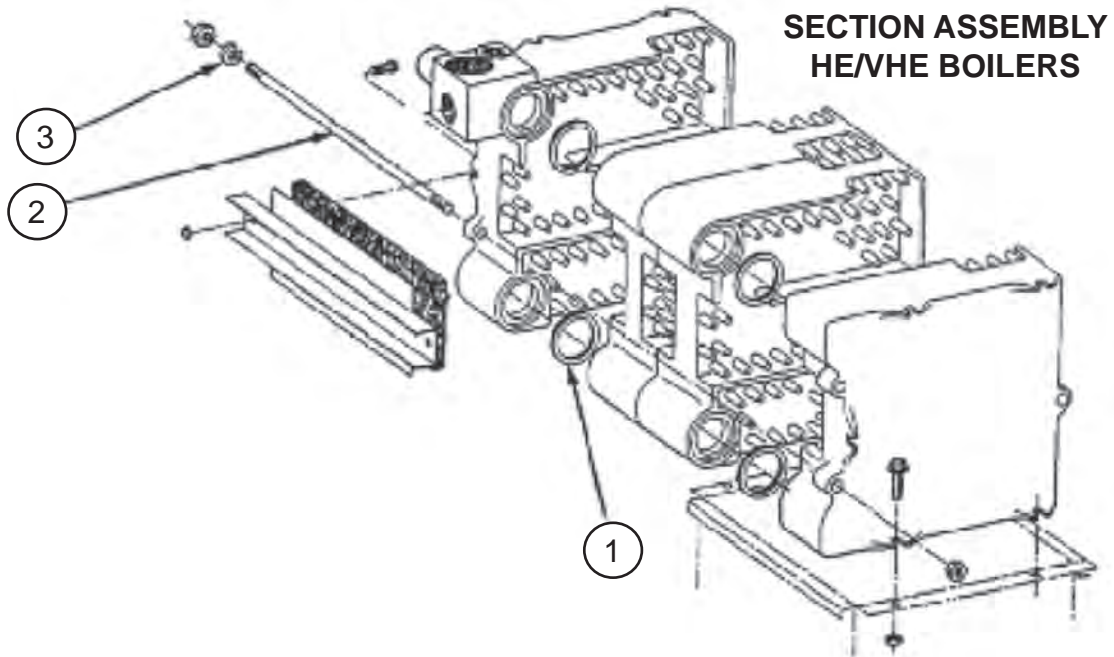
Fig No	Part No.	Description	Mfr.	Mfr.'s Part No.	Model
N/S	383-500-095	Pressure Relief Valve, ASME 30 PSI, ¾" N.P.T. Male	Watts	#330	
	511-405-113	Boiler Circulator, Without Flanges	Taco	007	80, 105
	511-405-133	Boiler Circulator, Without Flanges	Taco	0014	155,230,310
	381-354-525	Circulator Hardware Kit-Inlet, 1" (Includes: (1) Flange, (2) Nuts, and (1) Gasket)			80 to 230
	381-354-526	Circulator Hardware Kit (Includes: Flange, Nuts, Screws and Gasket) 1 ¼"			80 to 310
	381-354-531	Circulator Hardware Kit (Includes: Flange, Nuts, Screws and Gasket) 1 ½"			310
1	383-500-105	Vent Termination Bird Screen, 3" Vent - 2 Required			80,105,155
	383-500-110	Vent Termination Bird Screen, 4" Vent - 2 Required			230,310 only
2	383-500-120	Natural To Propane Conversion Kit (Orifice Bag Assembly)			230
	383-501-020	Natural To Propane Conversion Kit			80
3	383-500-080	Alarm Control Kit - AM-3			All
	383-500-396	Control Kit - AM-4 - Coverts 0-10 VDC Signal			
N/S	383-500-125	Outdoor Temperature Sensor			All
4	383-500-100	Vent/Air Termination Plate (2 Required For Each Boiler)			
N/S	383-500-397	Sidewall Termination Kit, 3"			
5	383-500-398	Sidewall Termination Kit, 4"			

## Ultra Boiler - Series 1 & 2

### Miscellaneous Parts and Kits Continued

Fig No	Part No.	Description	Mfr.	Mfr.'s Part No.	Model
	383-501-020	Natural To Propane Conversion Kit (Orifice Bag Assembly)			80
N/S	540-100-001	Natural To Propane Conversion Kit (Orifice Bag Assembly)			105
	383-500-115	Natural To Propane Conversion Kit (Orifice Bag Assembly)			155
	383-500-120	Natural To Propane Conversion Kit (Orifice Bag Assembly)			230
	383-500-016	Natural To Propane Conversion Kit (Includes: Propane Burner and Orifice Bag Assembly With Instructions)			310 Series 1 only
	540-202-831	Natural To Propane Conversion Kit (Orifice Bag Assembly)			310 Series 2 only
	383-501-021	Propane To Natural Conversion Kit			80
	383-500-605	Maintenance Kit (Includes: Igniter, Igniter Gasket, Cover Plate Gasket, Cover Plate Insulation, Burner Gasket and Venturi Gasket)			80 & 105
	383-500-620	Maintenance Kit (Includes: Igniter, Igniter Gasket, Cover Plate Gasket, Cover Plate Insulation, Burner Gasket and Venturi Gasket)			155,230,310
	591-706-200	Heat Exchanger Cleaning Tool			All
	383-500-631	Condensate Neutralizer Kit			All
	560-340-598	Cover Plate Studs, M6, 1 Pitch			All
	561-928-449	Cover Plate Nuts, M6, 1 Pitch			All
	383-500-327	High Altitude Kit (Includes 1 Orifice of Each Boiler Size) <b>L/P ONLY</b>			All
	383-500-021	Time Delay Kit (Includes Electrical Box, Relays, and Instructions)			All
	383-600-009	Gas Valve O-Rings			All
	383-500-345	Heat Exchanger Plug Kit - (Includes 14 Plugs, 12MM Allen Wrench, and Instructions) <b>SERIES 1 ONLY</b>			155/230 Only

HE / HEII / VHE - Series 1 Through 3  
Section / Base Assembly



## HE / HEII / VHE - Series 1 Through 3 Blower Assembly Parts

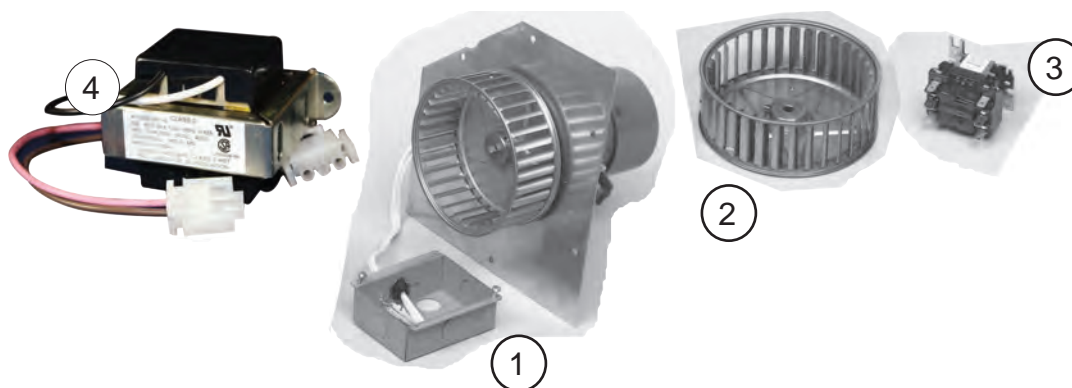


Fig. No.	Part No.	Description	Mfr.	Mfr.'s Part No.	Boiler Model
1	510-312-312	Blower Assembly (Includes: Mounting Plate, Hardware, Motor and Wheel) - All Boilers	Weil-McLain	(See Note)	HE/HE-II
2	510-312-322	Blower Wheel (Galvanized Steel, 5.75" Diameter, 5/16" Shaft)	Revcor Inc.	B575-212S	HE/HE II
1	510-312-317	Blower Assembly (Includes: Mounting Plate, Hardware, Motor and Wheel) - All Boilers	Weil-McLain	(See Note)	VHE
2	510-312-279	Blower Wheel (Stainless Steel, 5.72" Diameter, 5/16" Shaft)	Sheridan Manufacturing of Ohio	S57-20CCW	VHE
N/S	699-999-022	Starter/Termination Kit (Includes: Starter Tee, Termination Coupling, Sealant and Instructions) (Saf-T- Vent Only).	Weil-McLain		HE/VHE
	699-999-036	Starter/Termination Kit (Includes: Starter Tee, Termination Coupling, Sealant and Instructions) (Z- Vent Only).	Weil-McLain		HE/VHE
	699-999-024	Starter Kit (Includes: Starter Tee, Sealant and Instructions) (Saf-T- Vent Only).	Weil-McLain		HE II
	699-999-034	Starter Kit (Includes: Starter Tee, Sealant and Instructions) (Z- Vent Only).	Weil-McLain		HE II
<b>Electrical Components</b>					
N/S	510-312-166	Combination Transformer-Relay Receptacle, 120/24 Volt, 40 VA	White Rodgers	S84A-85	HE/VHE
			Honeywell	R8285K-1004	HE/VHE
			Products Unlimited	57-01E07C5F23	HE/VHE
3	510-350-223	Plug In Relay, DPST, 24 Volt Holding Coil	Honeywell	R822U1006	HE/VHE
N/S	510-312-167	Complete Transformer and Relay	Honeywell	R8285D1000	HE/VHE
4	511-842-370	24 Volt Step Down Transformer, 40 VA	Honeywell	AT140B1297	HE II
N/S	512-050-230	Fuse Thermal Roll-Out, 228°C	Elmwood Sensor	RD226-001	ALL
	592-900-015	Oil Lubricant - Anderol 465 - 3oz.			All

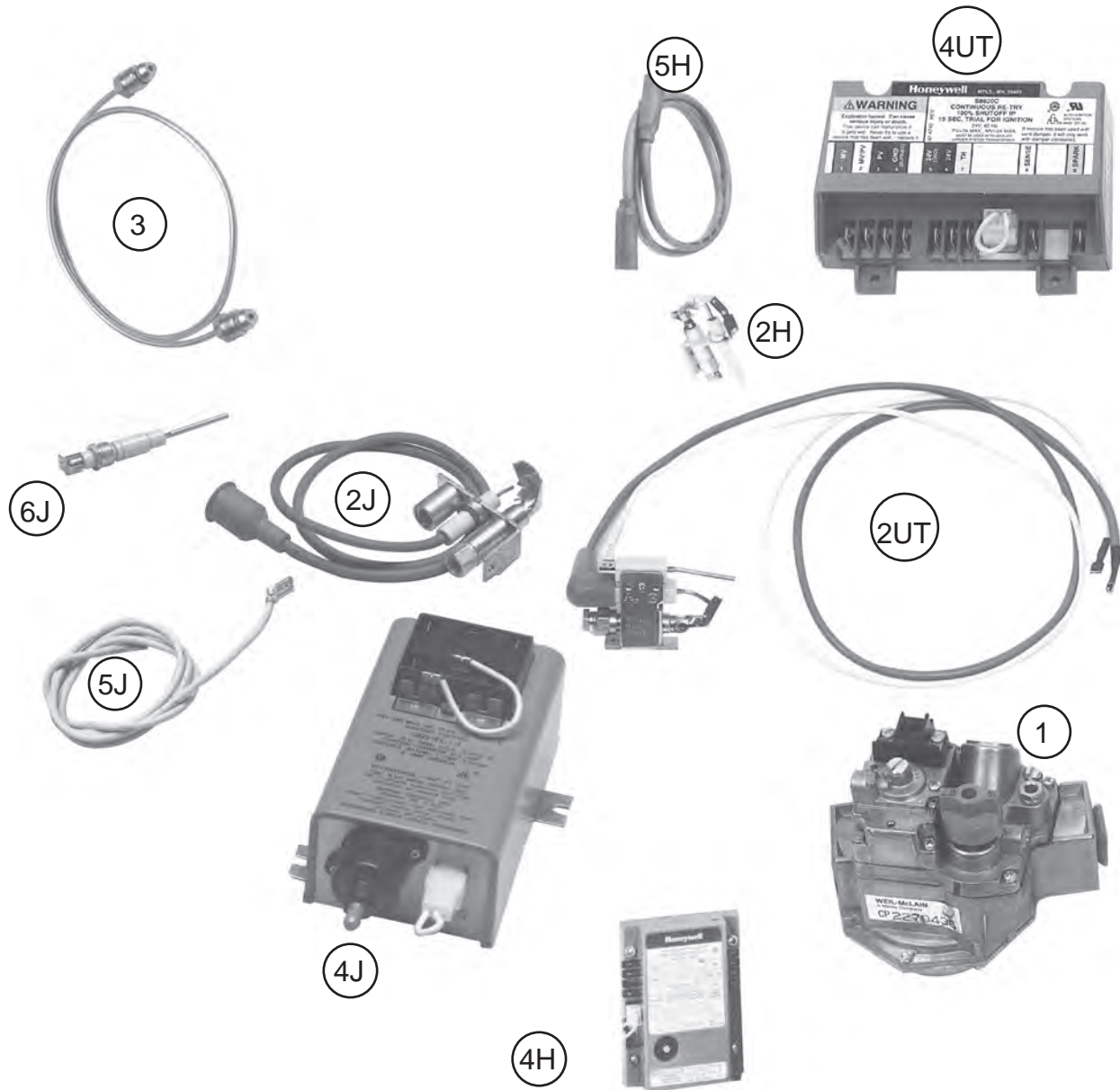
**Note: Original draft inducer motor was Fasco # 7121-5750, Currently using Fsc0 # 7162-1335.**

## HE / HEII / VHE - Series 1 Through 3 Water Trim Parts



Fig. No.	Part No.	Description	Mfr.	Mfr.'s Part No.
1	510-312-015	High Limit Temperature Control (SPST, Automatic Recycle, 100-240°F Range, 5-30° Range Adjustable Differential, Compatible With Existing Well) With Instructions	Honeywell	L4006A-1678
2	383-500-095	ASME Pressure Relief Valve, ¾" N.P.T., Male Inlet, Side Outlet, Brass, Set To Relieve At 30 PSIG	Watts	335
3	510-218-099	Combination Pressure/Temperature Gauge, 3.12" Dial, 0-170 PSIG, 60-320°F Short Shank, ¼" N.P.T. Back Connection	Amekai	OS234-JDTW-002
4	511-210-423	Drain Valve, ¾" N.P.T., 1 ½" Shank	Weil-McLain	
5	511-405-113	Circulator, 1/25 HP, 115/60/1 Motor, 3250 RPM, .70 Amps	Taco	W007F
	511-405-115	Circulator, 1/12 HP, 115/60/1 Motor, 1725 RPM, 1.75 Amps	Bell & Gossett	100
6	590-317-543	Circulator Gasket, For Taco 007 and Un 110 Circulators – (2- Required Per Unit)	Taco	194-1548
	590-317-535	Circulator Gasket, For B&G LR-20 Circulators – (2- Required Per Unit)	Grand Haven Gasket Co.	
	590-317-542	Circulator Gasket, for B&G 100 Series Circulators – (2- Required Per Unit)	ITT Industries	
7	381-354-525	1" Universal Circulator Hardware Kit (Includes: Screws, Nuts, (1) Flange and (1) Gasket)	Weil-McLain	
7	381-354-526	1¼" Universal Circulator Hardware Kit (Includes: Screws, Nuts, (1) Flange and (1) Gasket)	Weil-McLain	

# EGH - Series 2 Through 4 Intermittent Ignition





## EGH - Series 2 Through 4 Intermittent Ignition Parts

Fig. No.	Part No.	Description	Mfr.	Mfr's Part No.	Boiler size				
					85	95	105	115	125
<b>United Technologies Intermittent Ignition</b>									
2-UT	511-330-242	Pilot Burner Assembly Kit (Includes: Orifice, Pilot Burner, 3/4" Pilot Gas Tubing, Spark Wire and Sense Wire, and 1/4" Adapter )	Precision Equipment	PSE-NA249	X	X	X	X	X
4-UT	511-330-095	Ignition-Sensing Control Module With Molex	U/T	1003-510	X	X	X	X	X
<b>Honeywell Intermittent Ignition</b>									
2-H	511-330-170	Combination Safety Pilot Burner with Ignition-Sensing Electrode and Natural Gas Orifice	Honeywell	Q348A-1002	X	X	X	X	X
5-H	591-391-798	Ignition-Sensing Cable, 36"	Ristance	L32577	X	X	X	X	X
<b>Johnson Intermittent Ignition</b>									
2-J	511-330-163	Pilot Burner (Includes: Ignition Electrode and Lead Cable, Sensing Probe and Lead Wire and Natural Gas Orifice)	Johnson	J992LYW7125	X	X	X	X	X
5-J	511-724-270	Sensing Probe Lead Wire, 30" With Spade Receptacle	Weil-McLain		X	X	X	X	X
6-J	511-724-264	Sensing Probe With Spade Receptacle	Johnson	Y75AA-3	X	X	X	X	X
<b>Common Intermittent Ignition Components</b>									
1	511-044-286	Combination Gas Valve 3/4" X 1" N.P.T., Natural Gas, 24 Volt	Robertshaw	7000DERHC	X	X			
	511-044-287	Combination Gas Valve 1" X 1" N.P.T., Natural Gas, 24 Volt	Robertshaw	7000FTHC			X	X	X
3	560-742-865	Pilot Tubing 1/8" X 34" Long With Compression Fittings	Weil-McLain		X	X	X	X	X
4-J	510-811-457	Conversion Kit to United Technologies Control (Includes: Module, Wiring, Pilot Burner, and Instructions.) No Gas Valve, Only to Replace Honeywell or Johnson Controls	Weil-McLain		X	X	X	X	X
<b>Components For Series 4 Intermittent Ignition Only</b>									
4-H	511-330-097	Ignition Control Module Without Molex, 24 Volt	U/T	1003-611A or 1003-511	X	X	X	X	X
N/S	540-130-966	Wiring Harness For Water Boilers With-Out Tankless Heater Only	Weil-McLain		X	X	X	X	X
	540-130-969	Wiring Harness For Water Boilers With Tankless Heater Only	Weil-McLain		X	X	X	X	X
	540-130-967	Wiring Harness For Steam Boilers With Float LWCO Only	Weil-McLain		X	X	X	X	X
	540-130-968	Wiring Harness For Steam Boilers With Probe LWCO Only	Weil-McLain		X	X	X	X	X
	510-811-390	Natural to Propane Conversion Kit, EGH-85 & 95.(Includes: Gas Valve, Pilot Burner, Orifices, and Instructions)	Weil-McLain		X	X			
	510-811-391	Natural to Propane Conversion Kit, EGH-105-125.(Includes: Gas Valve, Pilot Burner, Orifices, and Instructions)	Weil-McLain				X	X	X

## AHE - Series 2 & 3 Blower / Ignition Control Parts

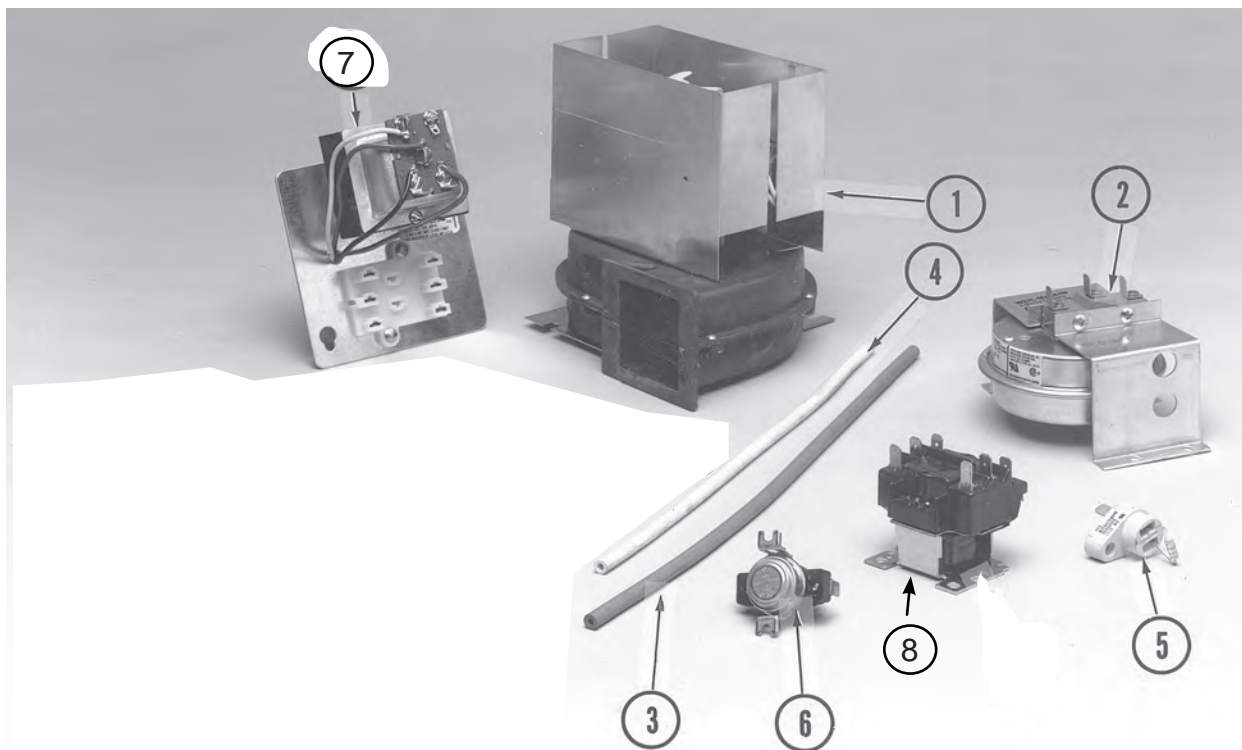


Fig No.	Part No.	Description	Mfr.	Mfr's Part No.	Boiler Size
1	510-811-466	Blower and Motor Assembly Replacement Kit (Includes: Blower Housings Left & right Mounting Plate, Blower Wheel, Blower Motor 120/60/1, Motor Fan, Guard) Series 2 & 3	Weil-McLain		45,60
2	511-624-530	Differential Pressure Switch, SPST Switch Action, 0.35" W.C. Setting, Sea Level to 4,000 ft. Elevation, Series 2 & 3	Tridelta	FS6707-1388	45
			Tridelta	FS4125-116	45
	511-624-532	Differential Pressure Switch, SPST Switch Action, 0.30" W.C. Setting, Sea Level to 4,000 ft. Elevation, Series 2 & 3	Tridelta	FS6707-1389	60
			Tridelta	FS4125-117	60
3	590-317-636	Pressure Differential Switch Tubing, 1/8" ID x 14 1/2", Red, Series 2 & 3	Weil-McLain		45,60
4	590-317-632	Pressure Differential Switch Tubing, 1/8" ID x 7", White, Series 2 & 3	Weil-McLain		45,60
5	512-050-235	Thermal Rollout Fuse, 250° F, Series 2 & 3	Weil-McLain		45,60
6	510-350-062	Low Water Cut-Off Temperature Control Device, 240° F Setting, SPST Switch Action, Manual Reset (Red Manual Reset Push Button), Series 2 & 3	Hamilton-Standard	404-132	45,60
			Thermodisc	60T25330850	45,60
7	510-312-166	Combination Transformer-Relay Receptacle, 120/24 Volt, 40VA (With Bale Wire), Series 2 & 3	Honeywell	R8285K1004	45,60
			Products Unlimited	5701E07C5 F223	45,65
			White-Rodgers	584A-85	45,65
			White-Rodgers	599-9001	45,65

AHE - Series 2 & 3  
Blower / Ignition Control Parts Continued

Fig No.	Part No.	Description	Mfr.	Mfr's Part No.	Boiler Size
8	510-350-223	Plug-In Relay, DPST, 24 Volt Holding Coil, Series 2 & 3	Honeywell	R8222UI006	45,65
			Products Unlimited	9100-241Q223	45,65
			White-Rodgers	91-112006-11000	45,65
			White-Rodgers	91-322000-11000	45,65

AHE - Series 2  
Gas Control Parts  
White-Rodgers Cycle Pilot Ignition System

Part No.	Description	Mfr.	Mfr's Part No.	Boiler Size
511-330-122	Combination Safety Pilot Burner With Ignition Electrode and Ignition Lead Cable, 30"	White-Rodgers	E51-47	45,60
		Beckett Gas	E51-D5	45,60
560-742-860	Pilot Tubing, 1/8" O.D. Aluminum X 22 3/4" long, With Compression Fittings	Weil-McLain		45,60

**Note: No other cycle pilot parts available through Weil-McLain.**

## LGB - Series 1 - Natural Gas Gas Pressure Switch / Accessory Parts

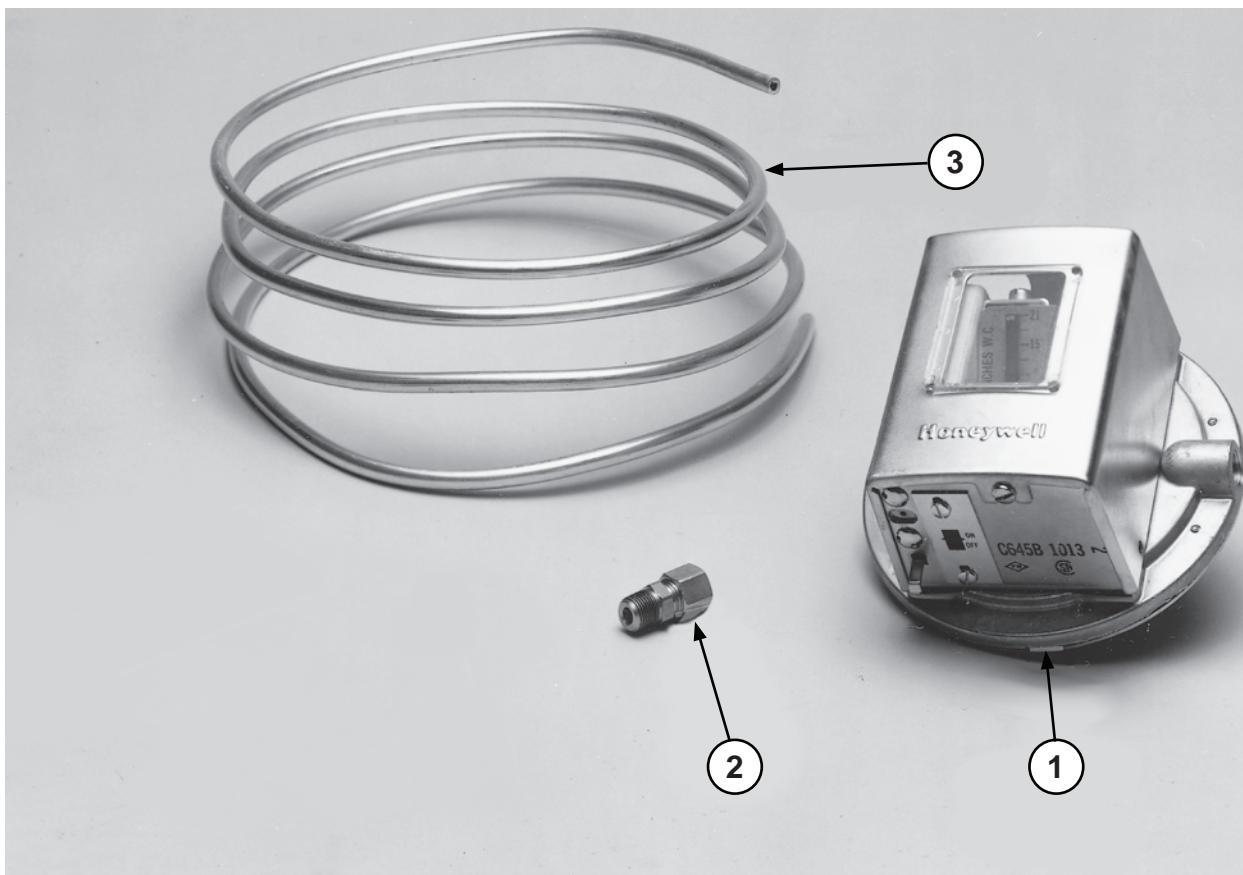
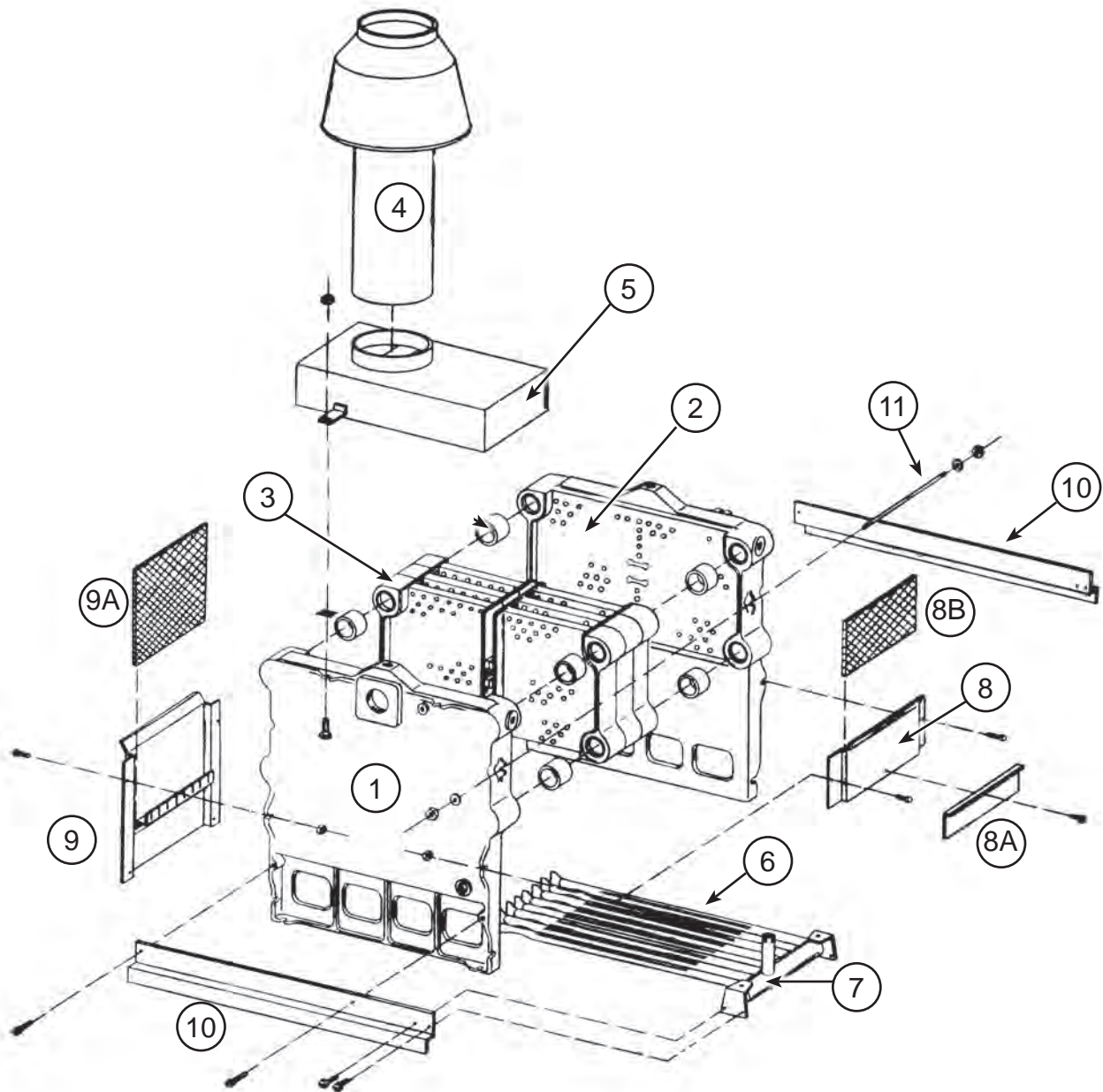


Fig. No.	Part No.	Description	Mfr.	Mfr.'s Part No.
1	511-624-555	High Gas Pressure Switch, SPDT, Manual Reset, Lockout On Pressure Rise, Diaphragm Type 3.0-21.0" W.C. Range, 1.0-3.0" W.C. Differential, 1/4" N.P.T. Female Vent Connector, With Switch Position Indicator (2 Required For LGB-21 Through LGB-23)	Honeywell	C645B1013
2	561-643-451	Union, 1/8" Male N.P.T. x 1/4" CC (4 Required For LGB-21 Through LGB-23) (Purchase Locally)	Weil-McLain	
3	560-742-915	Aluminum Tubing, 1/4" O.D. x 100" Roll	Weil-McLain	
N/S	511-330-229	Pilot Switch Box - Replaces WR 3048-25 - Must Add Thermocouple	Johnson	L626B-3C

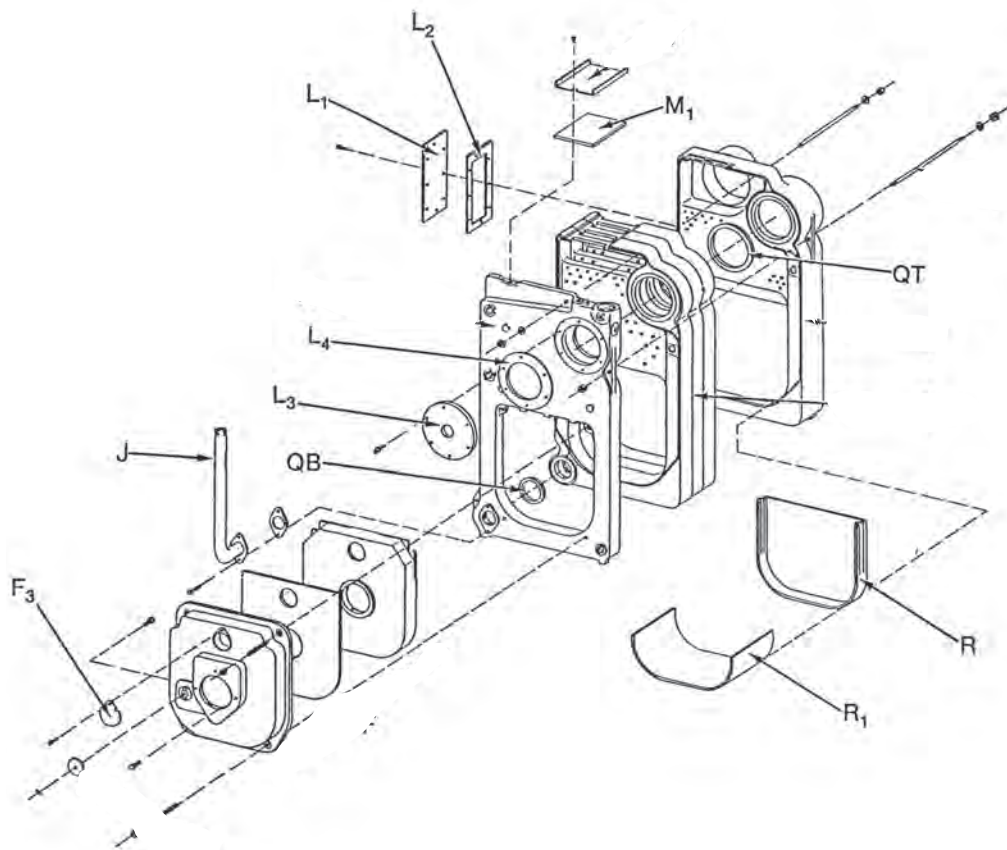
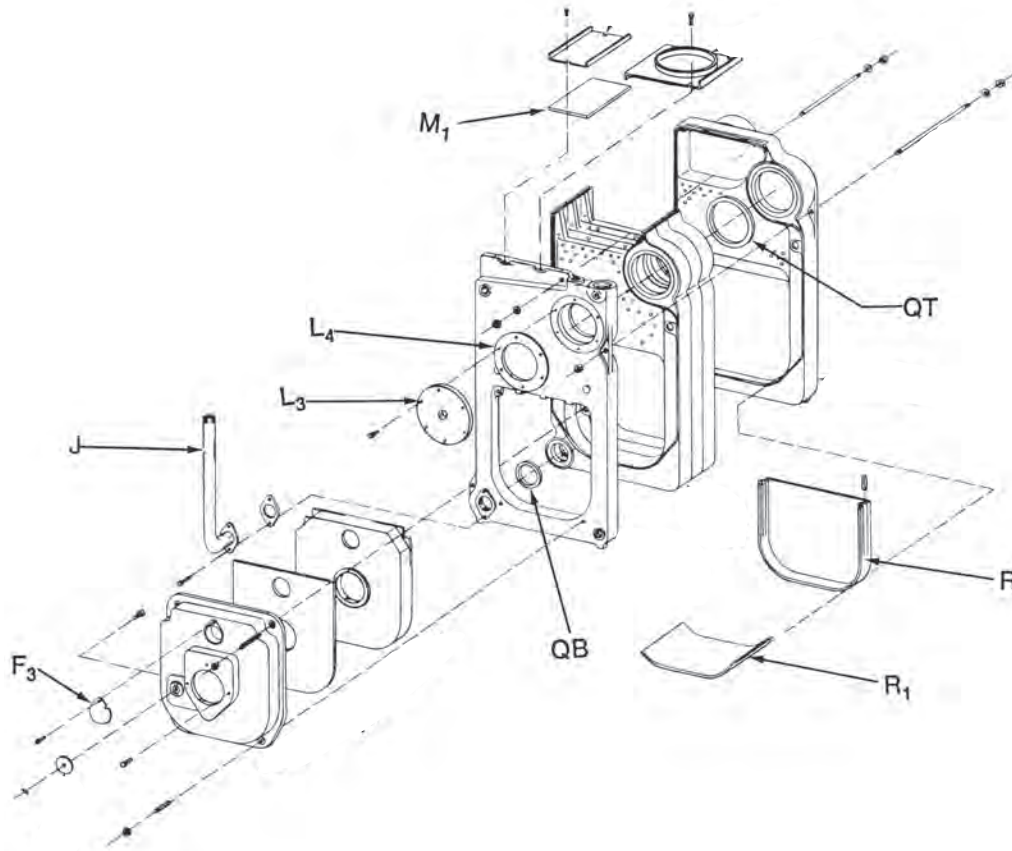
# PFG - Series 1 Through 7 Section / Base Assembly



**PFG - Series 3 Through 7  
Intermittent Pilot Parts**

Fig. No	Part No.	Description	Mfr.	Mfr.'s Part No.
<b>Components For Natural Gas</b>				
1	511-044-382	*Combination Gas Valve, ¾" X ¾" N.P.T., 24 Volt, PF-5	Honeywell	VR8304P4348
	511-044-286	*Combination Gas Valve, ¾" X 1" N.P.T., 24 Volt, PFG-6/7	Robertshaw	5R1 501 723
	511-044-287	*Combination Gas Valve, 1" X 1" N.P.T., 24 Volt, PFG-8	Robertshaw	5N6 501 723
2	511-330-097	Ignition-Sensing Control Module Without Damper Molex Jumper, Series 6 & 7	United Technologies	1003-511
	511-330-095	Ignition-Sensing Control Module With Damper Molex Jumper, Series 4 & 5	United Technologies	1003-510
3	511-330-221	N/G PIN Pilot Burner Assembly With Pilot Burner, Orifice, Sensing Lead and Ignition Cable	Precision Speed	PSE-NA16
N/S	511-330-170	Combination Safety Pilot Burner With Ignition Sensing Electrode and Natural Gas Orifice-- <b>Series 4</b>	Honeywell	Q348A-1002
4	512-050-230	Thermal Fuse Element 229°	Elmwood Sensors	RD226-001
5	510-300-013	Spill Switch With Reset 210° (PFG-5)	Elmwood Sensors	2455RM-8174-0201
<b>Components For Natural Gas Series 3 Only</b>				
N/S	511-330-104	Pilot Burner w/ Igniter, Wire and Orifice- <b>Johnson Only</b>		J992LYW
	511-330-163	Pilot Assembly w/ Igniter/Sensor and orifice- <b>Johnson Only</b>		J992LYW
	511-724-264	Sensing Probe With Spade Terminal- <b>Johnson Only</b>		Y75AA-3
	511-724-270	Sense Wire, 30" Long- <b>Johnson Only</b>		Y57HH-30
	560-742-860	Pilot Tubing, ⅛" o.d. Alum. X 22 ¾" Long, With Comp. Fitting	Weil-McLain	
	591-391-798	Ignition Sensing Cable, 36" Long- <b>Honeywell S86H Only</b>		
<b>Components For Propane Gas</b>				
1	511-044-278	*Combination Gas Control Valve, ¾" X 1" N.P.T., 24 Volt, PFG-6,7	Robertshaw	5R1 502 789
	511-044-279	*Combination Gas Control Valve, 1" X 1" N.P.T., 24 Volt, PFG-8	Robertshaw	5N6 502 789
2	511-330-222	Pilot Assembly With Ignition Lead and Orifice	Precision Speed	PSE-LP16
3	511-246-340	Pilot Shut-off Valve, ⅛" N.P.T. X ¼" CC	Conbraco	
4	511-724-245	Thermocouple, 48"	Honeywell	Q309A2010
5	511-330-229	Pilot Switch Box	Johnson Controls	L62GB-3C
6	560-742-905	Aluminum Tubing, ¼" O.D. X 60"	Weil-McLain	
7	511-330-186	Standing Pilot Burner N.P.T. Orifice	Honeywell	Q327A1642
N/S	560-528-957	LP orifice For Pilot Burner (Above)		
<b>Components For Natural And Propane Gas</b>				
	591-391-878	Wiring Harness PFG-5 PI	Weil-McLain	
	591-391-880	Wiring Harness PFG-6,7,8 PI	Weil-McLain	
	510-811-405	Conversion Kit: Natural To LP PFG 6 & 7 - SP Models Only	Weil-McLain	
	510-811-406	Conversion Kit: Natural To LP PFG 6 & 7 - PI Models Only	Weil-McLain	
	510-811-407	Conversion Kit: Natural To LP PFG 8 - PI Models Only	Weil-McLain	
<b>Conversion Kit For Honeywell S86H1121/Johnson G60PFL-1 (Natural Gas Only)</b>				
N/S	510-811-457	Conversion Kit Includes Control Module-UT-1003-510, Pilot Assembly, Wiring, and Instructions	Weil McLain	

P-68V / B-68V / A-68V / P-68 / B-68 / A-68  
Section Assembly



P-68V / B-68V / A-68V / P-68 / B-68 / A-68  
Section Assembly Parts

Fig. No.	Part No.	Description
<b>Sections and Burner Mounting Plate Are Obsolete and No Longer Available.</b>		
F3	460-039-867	Observation Port Shutter
J	591-124-002	Return Pipe Manifold
N/S	590-317-535	Gasket For Return Pipe Manifold
L1	450-030-934	Cover Plate For Heater Opening (Rectangular)
L2	590-317-579	Gasket For Cover Plate (Rectangular)
L3	592-243-217	Cover Plate For Heater Opening (Round) (P-68-WT) (P-68V) ¾" Hole
	592-243-216	Cover Plate For Heater Opening (Round) (A/68), P-68-S(T) (A & B-68V) 1½" Hole
L4	590-317-495	Gasket For Cover Plate (Round)
N/S	560-340-577	Tankless Stud and Nut, Rectangle Plate Requires 8, Round Plate Requires 6
R	386-500-085	Combustion Chamber Replacement Kit (Includes: Insulation Blanket, Back Refractory, Front Refractory, ⅝" X 5' Rope For Door, 4 Oz. Waterglass, Installation Instructions)
N/S	591-000-061	Front Door Refractory
	591-221-054	Door Cerafelt (Between Plate and Refractory)
R	591-000-064	Back Refractory
R1	591-221-236	Refractory Blanket (Apply Using Waterglass, Fits All Sizes of Boiler)
N/S	591-632-612	Waterglass, 4 oz.
	590-735-122	¼" Rope For Sections, 22¾" Long (4 Pieces Required Per Joint)
	591-706-214	Flue Brush, 123DMG
M1	386-500-086	Cleanout Plate Gasket Kit, For All Sizes of Boiler
QB	592-800-010	3" Dia. Bottom Elastomer Seal (1 Per Joint)
QT	592-800-007	6" Dia. Top Elastomer Seal (1 Per Joint)
N/S	389-900-101	Round Tankless Cover Plate Kit With 1½" N.P.T Tapping, 6 Studs with Nuts, and Tankless Gasket
	389-900-102	Round Tankless Cover Plate Kit With ¾" N.P.T Tapping, 6 Studs with Nuts, and Tankless Gasket
	389-900-103	Rectangular Tankless Cover Plate Kit With 8 Studs and Nuts and Tankless Gasket
	590-735-105	⅝" X 5' Rope For Door Seal



P-68V / B-68V / A-68V / P-68 / B-68 / A-68  
Water Trim Parts



Fig. No.	Part No.	Description	Mfr.	Mfr.'s Part No.	Boiler Size
<b>Water Trim Components Common To All 68 And 68V Water Boilers</b>					
1	510-218-099	Combination Pressure-Temperature Gauge, 2½" Dial, 0 – 60 PSIG, 60-260°F Short Shank, Back Connection, ¼" N.P.T.	Amekai	OS234-JDTW-002	All
	510-218-097	Combination Pressure-Temperature Gauge, 2½" Dial, 0 – 60 PSIG, 60-260°F Long Shank, Back Connection, ¼" N.P.T.	Amekai	OS234-CDTW-001	All
2	383-600-091	ASME Pressure Relief Valve, Set To Relieve At 30 PSIG, ¾" N.P.T. Female Inlet	Watts	335	All
			Conbraco	10-408-05	All
<b>Additional Water Trim Components For P-68 And P-68V Water Boilers</b>					
3	511-210-423	¾" N.P.T. Drain Cock	Conbraco	31-606-01	All
4	511-405-115	Circulator, 1/12 H.P., 120/60/1 Motor, 1,750 R.P.M.	Bell & Gossett	100 Series	All
5	381-354-526	Circulator Hardware Kit (Includes: 1 Flange, 2 Bolts, 2 Nuts, Diamond Gasket, 1¼" N.P.T.)	Weil-McLain		All
6	590-317-543	Circulator Gasket For Taco Circulators (Two Required)	Taco	110-339	All
	590-317-535	Circulator Gasket For Bell & Gossett Circulators (Two Required)	Weil-McLain		All

P-68V / B-68V / A-68V / P-68 / B-68 / A-68  
Water Trim Parts Continued

Fig. No.	Part No.	Description	Mfr.	Mfr.'s Part No.	Boiler Size
N/S	590-921-904	Tankless Heater – Water Boiler (Includes: Heater, Gasket, Nuts And Studs)	Heat Transfer Products	E-624	368,468
	590-921-905	Tankless Heater – Water Boiler (Includes: Heater, Gasket, Nuts And Studs)	Heat Transfer Products	E-626	568,668
	590-921-901	Tankless Heater – Water Boiler (Includes: Heater, Gasket, Nuts And Studs)	Heat Transfer Products	E-632	768,868, 968
	560-340-577	Tankless Heater Nut and Stud	Weil-McLain		

T10

P-68V / B-68V / A-68V / P-68 / B-68 / A-68  
Steam Trim Parts



Fig. No.	Part No.	Description	Mfr.	Mfr.'s Part No.	Boiler Size
<b>Steam Trim Components Common To All 68 Steam Boilers</b>					
1	560-640-696	90° Syphon, ¼" Brass Pipe	Honeywell	L3239	ALL
2	383-600-106	ASME Steam Safety Valve, Set to Relieve at 15 PSIG, Side Outlet, ¾" N.P.T. Male Inlet, 446 lbs/hr Capacity	Conbraco Watts	13-511-08 315	ALL ALL
3	510-218-045	Pressure Gauge, 0 – 30 PSIG, 2½" Dial, Back Connection, ¼" N.P.T.	Amekai		ALL
4	510-218-135	Water Gauge Glass Cocks, Set ½" N.P.T.	Conbraco	20-205-03W	ALL
5	383-600-000	Water Gauge Glass Kit, ⅝" x 7⅝" With Gaskets and Brass Washers	Weil-McLain		ALL
6	563-334-580	Water Gauge Glass Guard, 3/16" Dia. X 9⅜" Long (2 Required)	Weil-McLain		ALL
<b>Additional Steam Trim Components For B-68 And P-68 Boilers</b>					
7	510-312-135	High Pressure Limit, 0 – 15 PSIG Adjustable, Subtractive Differential 1 – 8 PSIG, Adjustable, Open on High Pressure Switch Action	Honeywell	PA404A-1009	ALL
8	510-312-209	High Limit Temperature Control, SPST, Automatic Recycle, 140° - 240°F Range, 10° Fixed subtractive Differential, with ¾" N.P.T. Well (Furnished with Tankless Heater) On Boilers With Tankless.	Honeywell White-Rodgers	L4080B-1311 11B83-16	ALL ALL
<b>Additional Steam Trim Components For P-68 Boilers</b>					
9	511-114-494	Float type Low Water Cut-off, With ½" N.P.T. Connections and a ¾" Blow-Down Valve	McDonnell-Miller	67W-1	3,4,5,6,7
N/S	590-921-903	Tankless Heater – Steam Boiler (Includes: Heater, Gasket, Nuts and Studs.) For Boiler Sizes 368 Thru 968	Heat Transfer Products	35-S-29	ALL
	560-340-577	Tankless Heater Nut and Stud	Weil-McLain		

76  
Section Assembly Parts

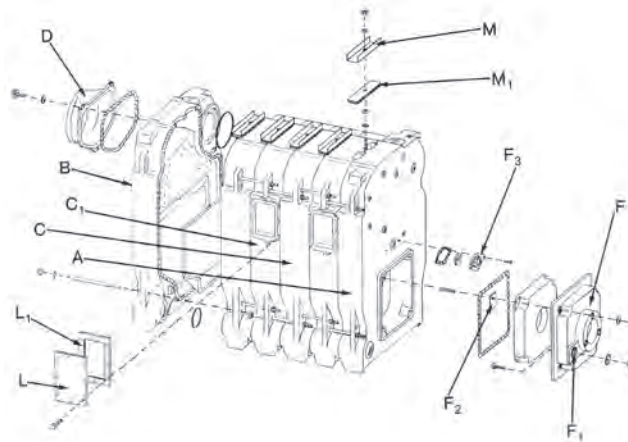


Fig. No.	Part No.	Description
<b>Sections and Burner Mounting Plates Are Obsolete and No Longer Available</b>		
N/S	592-800-009	3½" Dia. Bottom Elastomer Seal (1 Per Joint)
	592-800-008	7½" Dia. Top Elastomer Seal (1 Per Joint)
	560-134-485	⅝" x 9" Draw Rod With Out Nut (4 Per Joint)
	561-928-224	⅝" Nut (2 Per Draw Rod)
	562-248-710	⅝" Washer (1 Per Draw Rod)
	591-706-214	Flue Brush, 123 DMG
	590-735-150	⅜" Dia. Sealing Rope (1' For Observation Port Frame) – TP1000 Type MD-375
	590-735-140	Rope Fiberglass, ½" Diameter x 10' Per Joint, 5' For Door
M	450-030-924	Cleanout Plate (1 Per Joint)
M1	591-221-270	Gasket For Cleanout Plate (Apply Using Waterglass)
N/S	591-632-612	Waterglass, 4 oz.
	591-641-850	Construction Adhesive For Sealing Rope, 11oz. Tube
	591-638-850	Silicone Sealant, 10.3oz. Tube, RTV700
	591-638-851	Silicone Sealant, 3oz. Tube, RTV700
L	450-030-934	Cover Plate For Heater Opening (Rectangular)
L1	590-317-579	Gasket For Heater Cover Plate (Rectangular)
N/S	560-340-577	Tankless Nut and Stud
N/S	591-000-062	Front Refractory
F2	562-650-105	Refractory Retainer Clip-(4 Required)
F1	460-039-898	Secondary Air Shutter
F3	385-600-099	Observation Port Assembly (Includes: Frame, Rope, Gasket, Plugs and Sight Glass)
N/S	591-419-199	Sight Glass
	590-317-580	Washer For Sight Glass
	591-221-240	Back Refractory Blanket (Apply Using Waterglass)
	385-600-097	Back Refractory Blanket Kit (Includes: Blanket, Waterglass, ½" Rope, Construction Adhesive, Instruction Sheet and Warning Sheet)

## 76 Water Trim / Control Parts

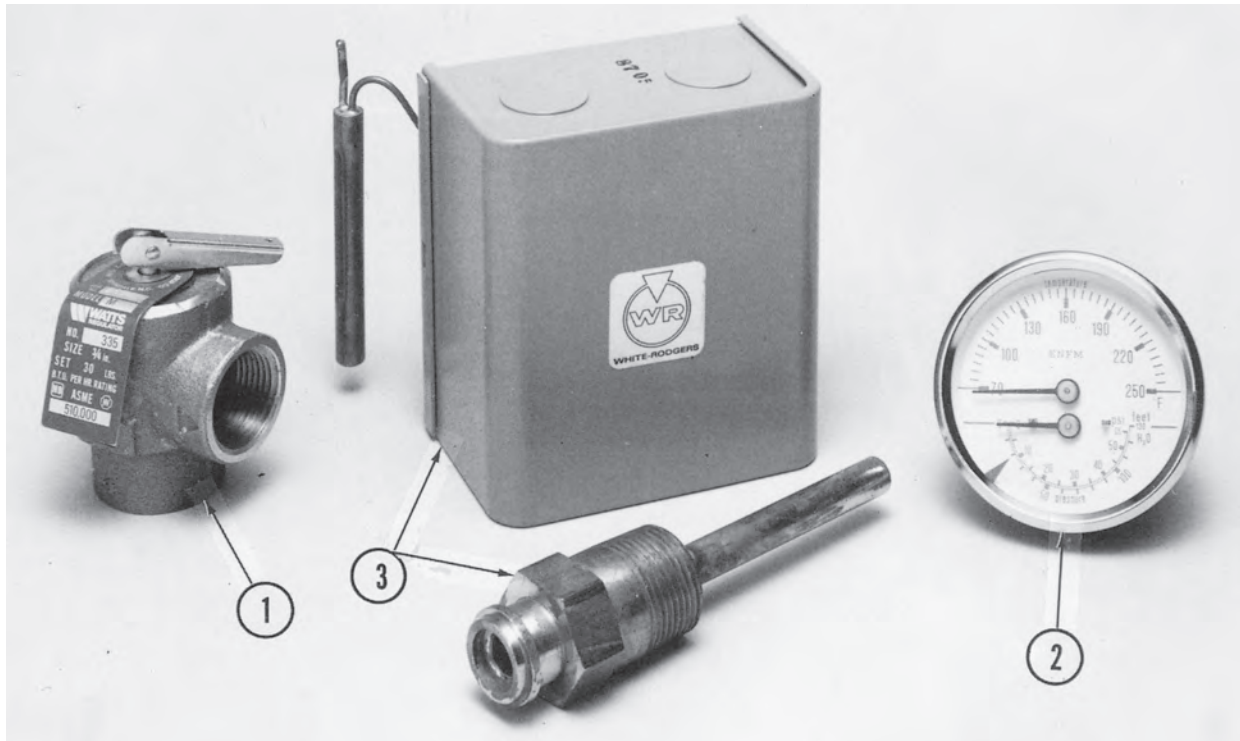


Fig. No.	Part No.	Description	Mfr.	Mfr.'s Part No.	76 Ser. 1 Boiler Size
1	383-600-091	ASME Pressure Relief Valve, Set To Relieve At 30 PSIG, 3/4" N.P.T. Female Inlet, Brass Side Outlet	Watts	334	4 – 7
		ASME Pressure Relief Valve, Set To Relieve At 30 PSIG, 3/4" N.P.T. Female Inlet, Brass Side Outlet	Conbraco	10-408-05	4 – 7
	383-600-063	ASME Pressure Relief Valve, Set To Relieve At 30 PSIG, 3/4" N.P.T. Female Inlet x 1" Female Side Outlet, Rated At 925,000 BTU/hr.	Watts	740	7 – 9
2	510-218-099	Combination Pressure-Temperature Gauge, 2 1/2" Dial, 0 – 60 PSIG, 60 – 260°F, Short Shank, Back Connection, 1 1/4" N.P.T.	Amekai	PTA1088	ALL SIZES
3	510-312-065	Combination Operating and High Limit Control With Well, Operating Limit: 100-220° Range With 10-35°F Adjustable Subtractive Differential. High Limit: 140-240° Adjustable With 10°F Fixed Subtractive Differential	Honeywell	L4081A1189	ALL SIZES
N/S	590-921-903	Tankless Heater – Water and Steam Boiler (Includes: Heater, Tankless Aquastat (Honeywell L4080B-1311), Gasket, Nuts and Studs.)	Heat Transfer Products	35-S-29	
	560-340-577	Tankless Nut and Stud	Weil-McLain		

78  
Section Assembly Parts

Fig. No.	Part No.	Description	Mfr.'s Part No.
A	315-700-059	Front Section – 80 PSI	7813
B	315-700-120	Intermediate Section, Regular – 80 PSI	7815
	315-700-150	Intermediate Section, Supply – Steam – 80 PSI	7814
C	315-700-140	Intermediate Section, Tankless – 80 PSI	7816
D	315-700-068	Back Section – 80 PSI	7818
N/S	385-800-205	Section Assembly Kit For One Joint (Includes: 10' Sealing Rope Sealing Rope Adhesive, Sealing Rings and Silicone Sealant)	
E	385-700-200	Heater Cover Plate Carton (Includes: Cover Plate, Gasket, Studs and Nuts)	
N/S	560-340-577	Tankless Nut and Stud	
F	590-317-550	Heater Gasket - 5¼" X 10"	
G	450-030-928	Cleanout Plate	
H	590-317-303	Cleanout Plate Gasket	
N/S	560-340-577	Heater Studs & Nuts ⅝" X 1½"	
			3   4   5   6   7   8   9   10   11   12
I	450-020-200	Flue Collector Hood "A" 14.4	1
	450-020-205	Flue Collector Hood "B" 21.4	1
	450-020-210	Flue Collector Hood "C" 28.4	1
	450-020-215	Flue Collector Hood "D" 35.4	1
	450-020-220	Flue Collector Hood "E" 42.4	1
N/S	385-700-215	Flue Collector Hood Hardware Kit (Includes: Fat-Stitched Sealing Rope, Double-Faced Tape, Flue Collar Gasket, Collector Hood Gaskets, Hold-Down Clips, Stud and Hardware)	
	385-700-218	Collector Hood Gasket Kit (Includes: Fat-Stitched Sealing Rope, Double-Faced Tape, Flue Collar Gasket, Collector Hood Gaskets)	
J	450-020-225	Flue Collector Hood End Cap	
K	385-700-065	Flue Collar Assembly, 8"	
	385-700-070	Flue Collar Assembly, 10"	
	385-700-075	Flue Collar Assembly, 12"	
L	385-700-220	Combustion Chamber Kit (Includes: Back Refractory Blanket, Bottom Refractory Blanket, Waterglass, Sealing Rope and Sealing Rope Adhesive)	
N/S	562-650-105	Insulation Retainer Clip	
M	385-600-099	Observation Port Assembly (Includes: Observation Port, Sealing Rope and Screws)	
N/S	591-419-199	Observation Port Glass, 2" Round X ⅛"	
N	590-735-140	Rope Fiberglass ½" Diameter x 10' Per Joint	
P	591-000-070	Burner Mounting Plate Front Refractory 4" Burner Opening	
	591-000-072	Burner Mounting Plate Front Refractory 6" Burner Opening	
N/S	560-134-490	Draw Rod ⅝" X 10" (4 Per Joint)	
	562-248-728	Washers ⅝" (1 per Rod)	
	561-928-224	⅝" – 11 Nut (2 Per Rod)	
	592-800-008	7½" Elastomer Seal, Top	
	592-800-009	3½" Elastomer Seal, Bottom	

## 78 Water Trim Parts

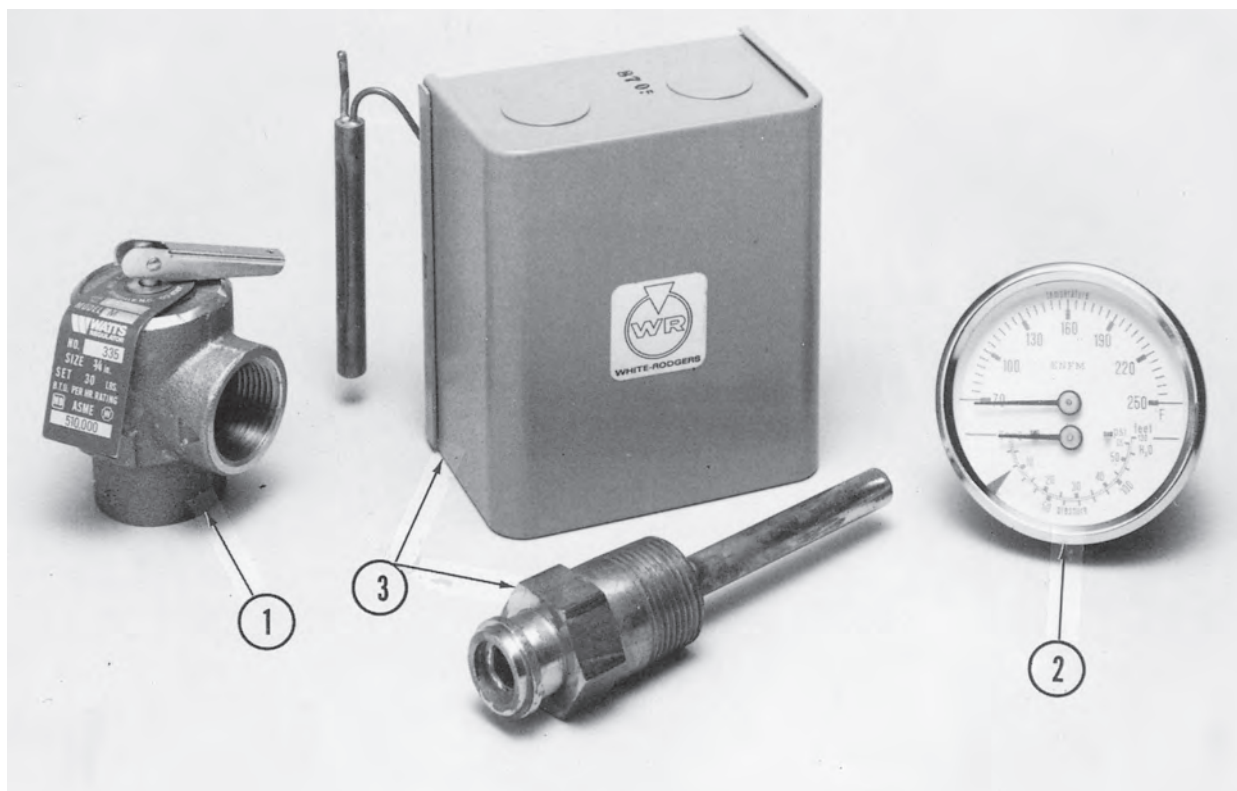


Fig. No.	Part No.	Description	Mfr.	Mfr.'s Part No.
1	383-600-091	ASME Pressure Relief Valve, Set To Relieve At 30 PSIG, 3/4" N.P.T. Female Inlet, Brass, 3/4" Female Side Outlet, Rated At 375,000 Btu/Hr Boiler Sizes (378 & 478)	Watts	M330
	383-600-063	ASME Pressure Relief Valve, Set To Relieve At 30 PSIG, 3/4" N.P.T. Female Inlet, Brass, 1" Female Side Outlet, Rated At 925,000 Btu/Hr Boiler Sizes (578 - 878)	Watts	740
	383-600-092	ASME Pressure Relief Valve, Set To Relieve At 30 PSIG, 1" N.P.T. Female Inlet, Brass, 1 1/4" Female Side Outlet, Rated At 1,300,000 Btu/Hr Boiler Sizes (978 - 1178)	Watts	740
	383-600-093	ASME Pressure Relief Valve, Set To Relieve At 30 PSIG, 1 1/4" N.P.T. Female Inlet, Brass, 1 1/2" Female Side Outlet, Rated At 2,105,000 Btu/Hr Boiler Size (1278)	Watts	740
2	510-218-099	Combination Pressure Temperature Gauge, 2 1/2" Dia. Dial, 0-170 PSIG, 70-320°F, Short Shank, Back Connection, 1/4" N.P.T.	Ametek	199994
			ENF-USA	1/4 CBM
3	510-312-065	Combination High Limit/Low Limit Control High Limit: 140-240°F Low Limit: 140-240°F With 5-35°F Adjustable Differential: Low Limit Must Be Set 20°F Below High Limit	White-Rodgers	11C30-3
			Honeywell	L4081A1189
N/S	590-921-917	Tankless Heater - Water Or Steam (Includes: Heater, Gasket, Nuts and Studs)		78-34
	560-340-577	Tankless Nut And Stud	Weil-McLain	

## 78 Steam Trim Parts

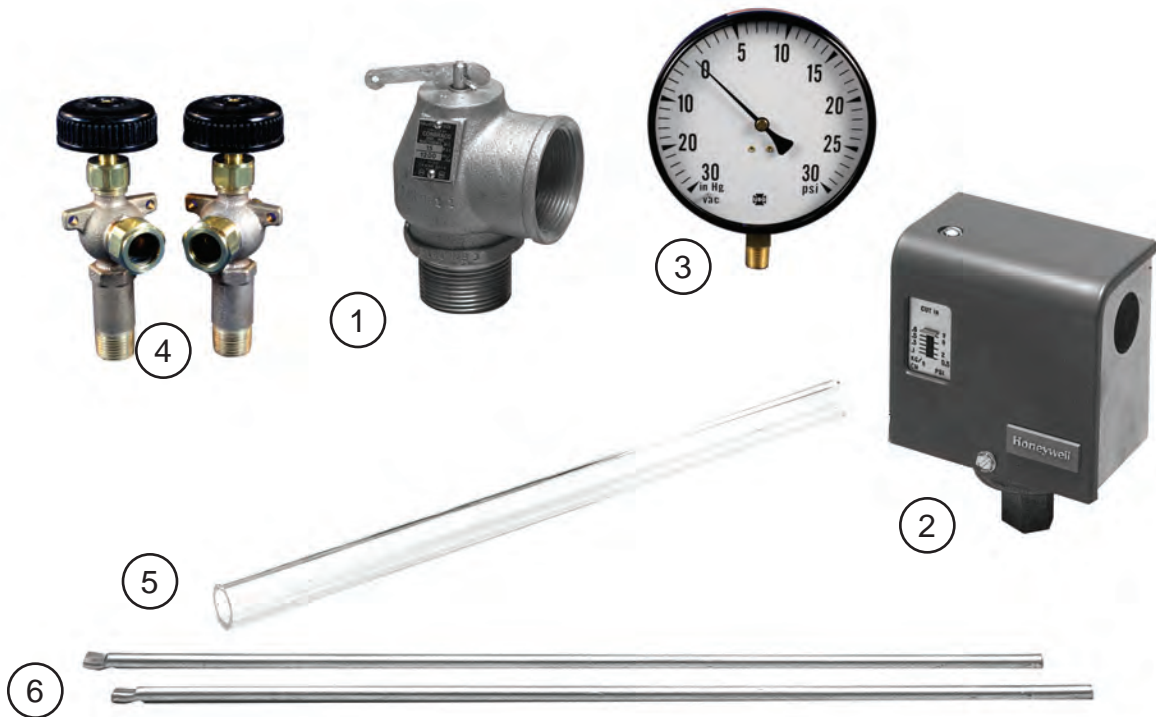


Fig. No.	Part No.	Description	Mfr.	Mfr.'s Part No.
1	383-600-105	Steam Relief Valve, Set To Relieve At 15 PSIG, ¾" N.P.T., Inlet, ¾" Side Outlet, 446 Lbs. Lbs./Hr. Steam Capacity Boiler Sizes (378 - 478)	Watts	415
	383-600-107	Steam Relief Valve, Set To Relieve At 15 PSIG, 1" N.P.T., Inlet, 1" Side Outlet, 643 Lbs. Lbs./Hr. Steam Capacity Boiler Sizes (578 - 678)	Conbraco	13-202-08
	383-600-108	Steam Relief Valve, Set To Relieve At 15 PSIG, 1¼" N.P.T., Inlet, Side Outlet, 1200 Lbs. Lbs./Hr. Steam Capacity, Brass Boiler Sizes (778 - 1078)	Conbraco	13-213-08
	383-600-109	Steam Relief Valve, Set To Relieve At 15 PSIG, 1½" N.P.T., Inlet, Side Outlet, 1900 Lbs. Lbs./Hr. Steam Capacity, Brass Boiler Sizes (1178 - 1278)	Conbraco	13-214-08
2	510-312-135	Steam Pressuretrol	Honeywell	PA404A1009
3	510-218-100	Combination Pressure Vacuum Gauge, 0-30 PSIG , 0-30" Hg., 4½" Dial, Bottom Connection, ¼" N.P.T.	U.S. Gauge	C500-5549
4	510-218-145	Water Gauge Glass Cock Set, ½" N.P.T., Male Inlet	Conbraco	21-205-03W
5	383-600-002	Water Gauge Glass Kit, ⅝" X 10⅝" with Gaskets and Brass Washers	Weil-McLain	-
6	563-334-595	Gauge Glass Guards, 12½" Long X 3/16" Diameter	Weil-McLain	-
N/S	590-921-917	Tankless Heater - Water or Steam (Includes: Heater, Gasket, Nuts and Studs)		78-34
	560-340-577	Tankless Nut and Stud		



Electric Boiler  
CER - Series 2  
Parts

ADDITIONAL

<b>Line Voltage Electrical Control Components Control List Electrical Power Supply - 240/60/1</b>						
Part No.	Description	Mfr.	Mfr.'s Part No.	Qty. Req'd Per Boiler		
				24	32	40
591-550-250	Element 8-Kilowatt 240-Volt Single-Phase With Gasket	Watlow	6-22-8-2	3	4	5
590-317-523	Heating Element Gasket, Rubber 1¾"	Heatube		5	5	5
592-243-200	Heating Element Opening Cover Plate	Watlow	278-62-1-1	2	1	0
512-150-147	Heating Element Contactor, DPST, 24 Volt Holding Coil, 48.0 Amps, Rating-Resistive Load At 240 Volt	Honeywell	R8246A1006	3	4	5
512-050-015	Line Voltage Terminal and Fuse Block	Marathon	4959001	2	2	2
		Devices	13195-511LCR			
591-850-176	Heating Element Fuse 50 AMP 250 Volt	Bussman	NON 50	6	8	10
511-842-361	Transformer 208/240 Volt Primary To 24 Volt Secondary, 48 VA, Foot Mounting	Honeywell	AT87A-1106	1	1	1
<b>Line Voltage Electrical Control Components Control List Electrical Power Supply - 208/60/1</b>						
591-550-229	Element 8-Kilowatt 208-Volt Single or Three-phase With Gasket	Heatube	B430786-15	3	4	5
590-317-523	Heating Element Gasket, Rubber 1¾"	Heatube		5	5	5
592-243-200	Heating Element Opening Cover Plate	Watlow	278-62-1-1	2	1	0
512-150-147	Heating Element Contactor, DPST, 24 Volt Holding Coil, 48.0 Amps, Rating-Resistive Load At 240 Volt	Honeywell	R8246A1006	3	4	5
512-050-015	Line Voltage Terminal and Fuse Block	Marathon	4959001	2	2	2
		Devices	13195-511LCR			
591-850-176	Heating Element Fuse 50 AMP 250 Volt	Bussman	NON 50	6	8	10
511-842-361	Transformer 208/240 Volt Primary To 24 Volt Secondary, 48 VA, Foot Mounting	Honeywell	AT87A-1106	1	1	1
<b>Line Voltage Electrical Control Components Control List Electrical Power Supply - 208/60/3</b>						
591-550-229	Element 8-Kilowatt 208-Volt Single or Three-phase With Gasket	Heatube	B430786-15	3	4	5
590-317-523	Heating Element Gasket, Rubber 1¾"	Heatube		5	5	5
592-243-200	Heating Element Opening Cover Plate	Watlow	278-62-1-1	2	1	0
512-150-149	Heating Element Contactor, 3PST, 24 Volt Holding Coil, 50.0 Amps, Rating-Resistive Load At 480 Volt	Honeywell	DP3010A1001	3	4	5
512-050-017	Line Voltage Terminal and Fuse Block	Marathon	4959001	3	3	3
		Underwriters Safety Devices	4835901			
591-850-174	Heating Element Fuse 30 AMP 250 Volt	Bussman	NON 30	9	15	15
511-842-361	Transformer 208/240 Volt Primary To 24 Volt Secondary, 48 VA, foot Mounting	Honeywell	AT87A-1106	1	1	1

Electric Boiler  
CER - Series 2  
Parts

<b>Line Voltage Electrical Control Components Control List Electrical Power Supply - 240/60/3</b>						
Part No.	Description	Mfr.	Mfr.'s Part No.	Qty. Req'd Per Boiler		
				24	32	40
591-550-249	Element 8-Kilowatt 240-Volt Three-phase with Gasket	Watlow	6-22-8-2	3	4	5
590-317-523	Heating Element Gasket, Rubber 1¼"	Heatube		5	5	5
592-243-200	Heating Element Opening Cover Plate	Watlow	278-62-1-1	2	1	0
512-150-149	Heating Element Contactor, 3PST, 24 Volt Holding Coil, 50.0 Amps, Rating-Resistive Load At 480 Volt	Honeywell	DP3010A1001	3	4	5
512-050-017	Line Voltage Terminal and Fuse Block	Marathon	4959001	3	3	3
		Underwriters Safety Devices	4835901			
591-850-174	Heating Element Fuse 30 AMP 250 Volt	Bussman	NON 30	9	12	15
511-842-361	Transformer 208/240 Volt Primary To 24 Volt Secondary, 48 VA, Foot Mounting	Honeywell	AT87A-1106	1	1	1
<b>Line Voltage Electrical Control Components Control List Electrical Power Supply - 480/60/3</b>						
591-550-272	Element 8-Kilowatts 480-Volt Three-phase With Gasket	Watlow	16-22-15-10	3	4	5
590-317-523	Heating Element Gasket, Rubber 1¼"	Heatube		5	5	5
592-243-200	Heating Element Opening Cover Plate	Watlow	278-62-1-1	2	1	0
512-150-148	Heating Element Contactor, 3PST, 24 Volt Holding Coil, 50.0 Amps, Rating-Resistive Load At 480 Volt	Hamilton Standard	1154-111111-5200A	3	4	5
512-050-017	Line Voltage Terminal and Fuse Block	Marathon	4959001	3	3	3
		Devices	13394-5CR			
591-850-178	Heating Element Fuse 15 AMP 600 Volt	Bussman	JKS 15	9	12	15
511-842-362	Transformer 480 Volt Primary To 24 Volt Secondary, 48 VA, Foot Mounting	Honeywell	AT87A-1155	1	1	1

ADDITIONAL

Electric Boiler  
CER - Series 2  
Parts

**Water Trim and Control Components Control List**  
**Electrical Power Supply - 208/60/1, 240/60/1, 208/6/3, 240/60/3, 480/60/3**

Part No.	Description	Mfr.	Mfr.'s Part No.	Qty. Req'd Per Boiler		
				24	32	40
562-850-089	Door Latch With Retainer, Push-On Clip and Knob	Arden		1	1	1
		Southco		1	1	1
510-350-061	Control, DPST, Automatic Recycle Low Limit: 120-220°F Range, 10-25°F Adjustable Subtractive Differential High Limit: 140-240°F Range, 10°F Fixed Subtractive Differential	Honeywell	L6081C1010	1	1	1
383-600-091	ASME Pressure Relief Valve, Set To Relieve At 30 PSIG, ¾" N.P.T. Female Inlet, Brass, Side Outlet	Watts Regulator	335	1	1	1
		Conbraco	10-405-08			
388-800-185	Replacement Pressure Gauge Kit	Weil-McLain		1	1	1
<b>Line Voltage Control Circuit Electrical Control Components Control List</b> <b>Electrical Power Supply - 208/60/1, 240/60/1, 208/6/3, 240/60/3, 480/60/3</b>						
510-350-211	Electrical Delay Timer, Solid State, 2 ½ Minute Delay On Make, 24 Volt	SSAC	TS121150	2	3	4
388-800-187	Thermal Time Delay Kit, 15 Sec. Delay on Make, 10 Sec. Delay On Break, SPST, 24 Volt	Weil-McLain		2	3	4
510-350-219	Circulator Relay, SPST, 24 Volt Holding Coil	White-Rodgers	184-20102- 102	1	1	1
512-050-022	Low Voltage Terminal Block	Marathon	4969057	1	1	1
		Underwriters Safety Devices	13195-607LS			

ADDITIONAL

## Gold Plus / Ultra Plus / Plus Residential Water Heater Parts

Part No.	Description	Model
633-900-130	Residential Thermostat, (Includes: Knob, Thermostat, Screws and Instructions) 90 -160 Degree Range	Plus 30-60 Gold & Ultra- Plus 30-80
633-900-102	Thermostat With Cover Plate Kit, (Includes: T-Stat, Knob, Snap Set, and Cover Plate with Fasteners, and Instructions)	Gold & Ultra Plus 30-80
635-600-145	Snap Set With Wire Connector	Gold & Ultra Plus 30-80
635-100-003	Automatic Air Vent # 400 - ½" N.P.T, 150 P.S.I - 240 Degree	ALL
635-700-014	Bag Assembly Kit – (Includes :Air Vent, Reducer Bushing, Brass Tee, Drain Valve, and Drain Valve Cap With Washer)	Gold & Ultra Plus 30-80
633-900-117	Drain Valve Kit - (Includes: ¾" Drain Valve, ¾" Brass Tee, Hose Bib)	Plus 30-60 Gold & Ultra- Plus 30-80
635-100-017	Zoning Circulator – (Taco 007)	Combo 40C
635-100-019	Zoning Circulator Priority Circuit Board – (Taco 007)	Combo 40C
633-900-209	Zone Valve Replacement Kit, (Includes: Valve body, Valve actuator, & Wiring harness)	Combo 30/40V
633-900-118	Dip Tube Kit – ¾" (Includes: 34" Dip Tube, O Rings, & Instructions)	ALL Size 30
633-900-119	Dip Tube Kit – ¾" (Includes: 42" Dip Tube, O Rings, & Instructions)	ALL Size 40
633-900-120	Dip Tube Kit – ¾" (Includes: 52" Dip Tube, O Rings, & Instructions)	ALL Size 60
633-900-125	Dip Tube Kit – ¾" (Includes: 61" Dip Tube, O Rings, & Instructions)	Gold & Ultra Plus 80
635-600-096	Dip Tube O-ring – ¾"	Plus 30-60 Gold & Ultra- Plus 30-80
635-600-061	Drywell Replacement Kit – (Includes: 19.68" Drywell, Loctite, and Instructions)	ALL 30
635-600-062	Drywell Replacement Kit – (Includes: 27.56" Drywell, Loctite, and Instructions)	ALL 40
635-600-063	Drywell Replacement Kit – (Includes: 37.40" Drywell, Loctite, and Instructions)	ALL 60
635-600-064	Drywell Replacement Kit – (Includes: 47.25" Drywell, Loctite, and Instructions)	ALL 80
635-600-150	Drywell O-ring Kit – (Includes: Rubber & Copper O-Rings, Loctite, and Instructions)	ALL
635-600-139	Plastic Top Cover (Old Style, Drywell in back) – (Specify Tank Size When Ordering)	Gold & Ultra Plus 30-80
633-800-440	Plastic Top Cover (New Style, Drywell In Front) – These Covers Used With Series 3 Tanks - (Need CP Number To Confirm) – (Specify Tank Size When Ordering)	Gold & Ultra Plus 30-80
	Gold Plus-30 – (CP Number Greater Than 5216231)	
	Gold Plus-40 – (CP Number Greater Than 5216747)	
	Gold Plus-60 – (CP Number Greater Than 5217621)	
634-200-166	Plastic Bottom	Gold & Ultra Plus 30-80

ADDITIONAL

## Plus Commercial Water Heater Parts

Part No.	Description	Model
635-100-010	Commercial Thermostat – (Includes Thermostat and Instructions) 90 – 190° Range-- Has 2 Prong Connection	Plus 80/100/120 Gold Plus 100/110/119
635-600-080	Snap Set With Wire Connector	Plus 80/100/120 Gold Plus 100/110/119
635-600-205	Thermostat Cover Plate With Plastic Fasteners	Plus 100/110/119
635-600-084	Thermometer	Plus 80/100/120
635-100-003	Automatic Air Vent – ½" N.P.T	ALL
633-900-115	Dip Tube Kit – 1½" (Includes: Dip Tube, O-Rings, & Instructions) , 61"	Plus 100/120 Gold Plus 100/110/119
635-600-098	Dip Tube O-ring – (1½")	Plus 100/120
635-600-065	Drywell Replacement Kit – (Includes: 51¼" Drywell, Loctite, & Instructions)	Plus 100/120
635-600-150	Drywell O-ring Kit – (Includes: Rubber & Copper O-Rings, Loctite and Instructions)	ALL
633-800-441	Plastic Top Cover --- 26½" Outside Diameter --- Series 3	Gold Plus 100/110
633-800-442	Plastic Top Cover --- 32¼" Outside Diameter --- Series 3	Gold Plus 119
634-200-167	Bottom Cover	Gold Plus 100/110
634-200-168	Bottom Cover	Gold Plus 119

ADDITIONAL

## Manufacturing Dates By Series GAS BOILERS

<b>HEII</b>	
Series 1	July 1991 - June 1997

<b>HG</b>	
Series 1	February 1966 - October 1970 -- Discontinued

<b>J</b>	
Series 1	September 1955 - September 1957
Series 2	September 1957 - March 1960
Series 3	March 1960 - June 1965 -- Discontinued

<b>JB</b>	
Series 1	November 1964 - July 1970 -- Discontinued

<b>K</b>	
Series 1	April 1964 - December 1969
Boiler Discontinued (Series 1) - December 1969	
Series 3	April 1972 - August 1975
Boiler Discontinued (Series 2) - August 1975	

<b>LG</b>	
Series 1	April 1970 - July 1972
Series 2	July 1972 - May 1977 -- Discontinued

<b>LGB</b>	
Series 1	August 1985 - June 1993
Series 2	June 1993 - Present

<b>MG</b>	
Series 1	June 1969 - April 1973 -- Discontinued

<b>MGB</b>	
Series 1	April 1973 - January 1984
Series 2	January 1984 - December 1985 -- Discontinued

<b>PFG</b>	
Series 1	February 1972 - February 1977
Series 2	February 1977 - July 1981
Series 3	July 1981 - January 1989
Series 4	January 1989 - December 1991
Series 5	December 1991 - December 1995
Series 6	January 1996 - February 2006
Series 7	February 2006 - September 2012 -- Discontinued

<b>PAG</b>	
Series 1	August 1956 - August 1957
Series 2	August 1957 - April 1961 -- Discontinued

<b>VHE</b>	
Series 1	September 1981 - July 1982
Series 2	July 1982 - May 1985
Series 3	May 1985 - June 1990 -- Discontinued

<b>Ultra Gas</b>	
Series 1	November 2002 - May 2004
Series 2	May 2004 - July 2008
Series 3	July 2008 - September 2009
Series 3UE	September 2009 - February 2013
Series 3UE-CT	February 2013 to Present

<b>Ultra Commercial/Slimfit 550/750</b>	
Series 1	November 2009 - October 2014
Series 2 With U-Control	October 2014 - September 2015
Series 2 With Evergreen Control	September 2015 - Present

<b>Slim Fit</b>	
Series 1	June 2013 to Present

<b>WM97+</b>	
Series 1	September 2011 - February 2013
Series 1-CT	February 2013 to Present

<b>GV90+</b>	
Series 1	June 2011 - September 2012
Series 2	September 2012 to Present

<b>ECO</b>	
Series 1	May 2013 to Present

ADDITIONAL

# Manufacturing Dates By Series

## ROUND BOILERS

ADDITIONAL

<b>OB15</b>	
Series 1	May 1950 - September 1951
Series 2	September 1951 - June 1953
Series 3	June 1953 - June 1962 - Discontinued

<b>OB18</b>	
Series 1	June 1952 - June 1954
Series 2	Never Marketed
Series 3	June 1954 - June 1962 - Discontinued

<b>PAG</b>	
Series 1	August 1956 - August 1957
Series 2	August 1957 - April 1961 - Discontinued

<b>POB15</b>	
Series 3	November 1953 - January 1958
Series 4	January 1958 - June 1962 - Discontinued

<b>POB18</b>	
Series 4	August 1955 - June 1962 - Discontinued
Series 5 Boiler	
Series 5	May 1952 - April 1955
Series 5A	April 1955 - September 1955 - Discontinued

<b>ROB18</b>	
Series 1	June 1953 - April 1954
Series 2	April 1954 - June 1954
Series 3	June 1954 - December 1964 - Discontinued

<b>RO2-6, RO3-6, RO3-7, RO4-6, RO4-7</b>	
Series 1	May 1932 - April 1934
Series 2	April 1934 - March 1935
Series 3	March 1935 - July 1937
Series 4	July 1937 - April 1951
Series 5	April 1951 - April 1953 - Discontinued

<b>Round Boilers, Jacketed (SJ or WJ)</b>	
Series D	February 1935 - September 1937 - Discontinued

<b>17" Round, Hand-Fired</b>	
Series B	November 1922 - September 1924
Series C	September 1924 - April 1928
Series D	April 1928 - March 1944 - Discontinued

<b>19" Round, Hand-Fired</b>	
Series B	November 1922 - September 1924
Series C	September 1924 - March 1928
Series D	March 1928 - March 1934
Series E	March 1934 - January 1964 - Discontinued

<b>22" Round, Hand-Fired</b>	
Series B	November 22 - May 1924
Series C	May 1924 - March 1928
Series D	March 1928 - April 1951
Series E	April 1951 - January 1964 - Discontinued

<b>25" Round, Hand-Fired</b>	
Series B	November 1922 - May 1924
Series C	May 1924 - March 1928
Series D	March 1928 - April 1951
Series E	April 1951 - January 1962 - Discontinued

<b>28" Round, Hand-Fired</b>	
Series B	November 1922 - May 1924
Series C	May 1924 - March 1928
Series D	March 1928 - April 1951
Series E	April 1951 - April 1953 - Discontinued

<b>31" Round, Hand-Fired</b>	
Series B	November 1922 - May 1924
Series C	May 1924 - March 1928
Series D	March 1928 - April 1946 - Discontinued

<b>17" Round, Automatic-Fired</b>	
Series B	November 1922 - September 1924
Series C	September 1924 - April 1928
Series D	April 1928 - March 1934
Series 1	March 1934 - February 1944 - Discontinued

<b>19" Round, Automatic-Fired</b>	
Series B	November 1922 - September 1924
Series C	September 1924 - March 1928
Series D	March 1928 - March 1934
Series 1	March 1934 - April 1951
Series 2	April 1951 - January 1964 - Discontinued

<b>22" Round, Automatic-Fired</b>	
Series B	November 1922 - May 1924
Series C	May 1924 - March 1928
Series D	March 1928 - April 1934
Series 1	April 1934 - April 1951
Series 2	April 1951 - January 1964 - Discontinued

# NOTES





SERVICE PARTS CATALOG  
Issued August, 2016

For trade price schedule, wiring diagrams, boiler manuals or appropriate control supplement, please go to [Weil-McLain.com](http://Weil-McLain.com)