



WEIL-McLAIN



Service Parts Catalog

March 2006

For Trade Prices, See
Current Service Parts
Trade Price Schedule

CURRENT PARTS



WEIL-McLAIN

Enduring The Trust of Generations

www.weil-mclain.com

CURRENT PARTS

CONTENTS

Page #

GAS BOILERS

Model	Page #
Ultra Boiler (Models 80-105-155-230-310)	183
GV Series 4 Boiler	192
CGt	202
CGs Boiler	207
CGi Boiler (Series 2)	213
CGa Boiler	220
EG Boiler (Series 4 Components/Series 1-4 Section and Base Assembly)	231
EGH Boiler (Series 4 Components/Series 1-4 Section and Base Assembly)	242
PFG Boiler	254
LGB Boiler (Series 2 Components/Series 1-2 Section and Base Assembly)	263

OIL BOILERS

Model	Page #
ULTRA OIL	284
WGO	290
WTGO	292
SGO	296
GOLD OIL	300

GAS/OIL BOILERS

Model	Page #
80 Boiler	302
88 Boiler	307
94 Boiler	310

ADDITIONAL PRODUCTS

	Page #
Boiler Control Panels	316
Water Heaters	317

MISCELLANEOUS INFORMATION

	Page #
Burner Manufacturer Contact Information	319
Manufacturing Dates – Gas Boilers	320
Manufacturing Dates – Round Boilers	322
Manufacturing Dates – Oil Boilers	324
Sales Reference Number Listing	326

For Wiring Diagrams, see Boiler Manual or appropriate Control Supplement.
Wiring Diagrams are available at www.weil-mclain.com

Ultra Boiler Series 1 & 2

Miscellaneous parts and kits

Item	Description	Part Number
1	Pressure relief valve, ASME 30 PSI, 3/4" npt male, (watts #330)	383-500-095
2	Boiler circulator, without flanges Ultra-80 & -105 Taco Model 007 Ultra-155, -230 & -310 . Taco Model 0014	511-405-113 511-405-133
3	Circulator hardware kit – inlet, 1" (1 flange, 2 nuts, 2 screws, and 1 gasket) (Ultra-80 to -230)	381-354-525
4	Circulator hardware kit (flange, nuts, screws, and gasket) Ultra-80 to -310, 1 1/4" Ultra-310, 1 1/2"	381-354-526 381-354-531
5	Vent/air termination plate (2 required for each boiler)	383-500-100
6	Vent termination bird screen (2 required for Ultra-80, -105 & -155) 3" vent	383-500-105
7	Vent termination bird screen (2 required for Ultra-230 & -310 only) 4" vent	383-500-110
8	Natural to propane conversion kit for Ultra-80 Natural to propane conversion kit for Ultra-105 (orifice bag assembly)	383-501-020 540-100-001
9	Propane to natural conversion kit for Ultra-80	383-501-021
10	Natural to propane conversion kit for Ultra-155 (orifice bag assembly) Natural to propane conversion kit for Ultra-230 (orifice bag assembly)	383-500-115 383-500-120
11	Alarm control kit	383-500-080
12	Outdoor temperature sensor	383-500-125
13	Sidewall Termination Kit, 3"	383-500-397
14	Sidewall Termination Kit, 4"	383-500-398
15	Natural to propane conversion kit for Ultra-310 Series 1, includes propane burner and orifice bag assembly, with instructions	383-500-016
16	Propane orifice bag assembly, Ultra 310 Series 2 only	540-202-831

Ultra Boiler Series 1 & 2

Replacement parts *(continued)*

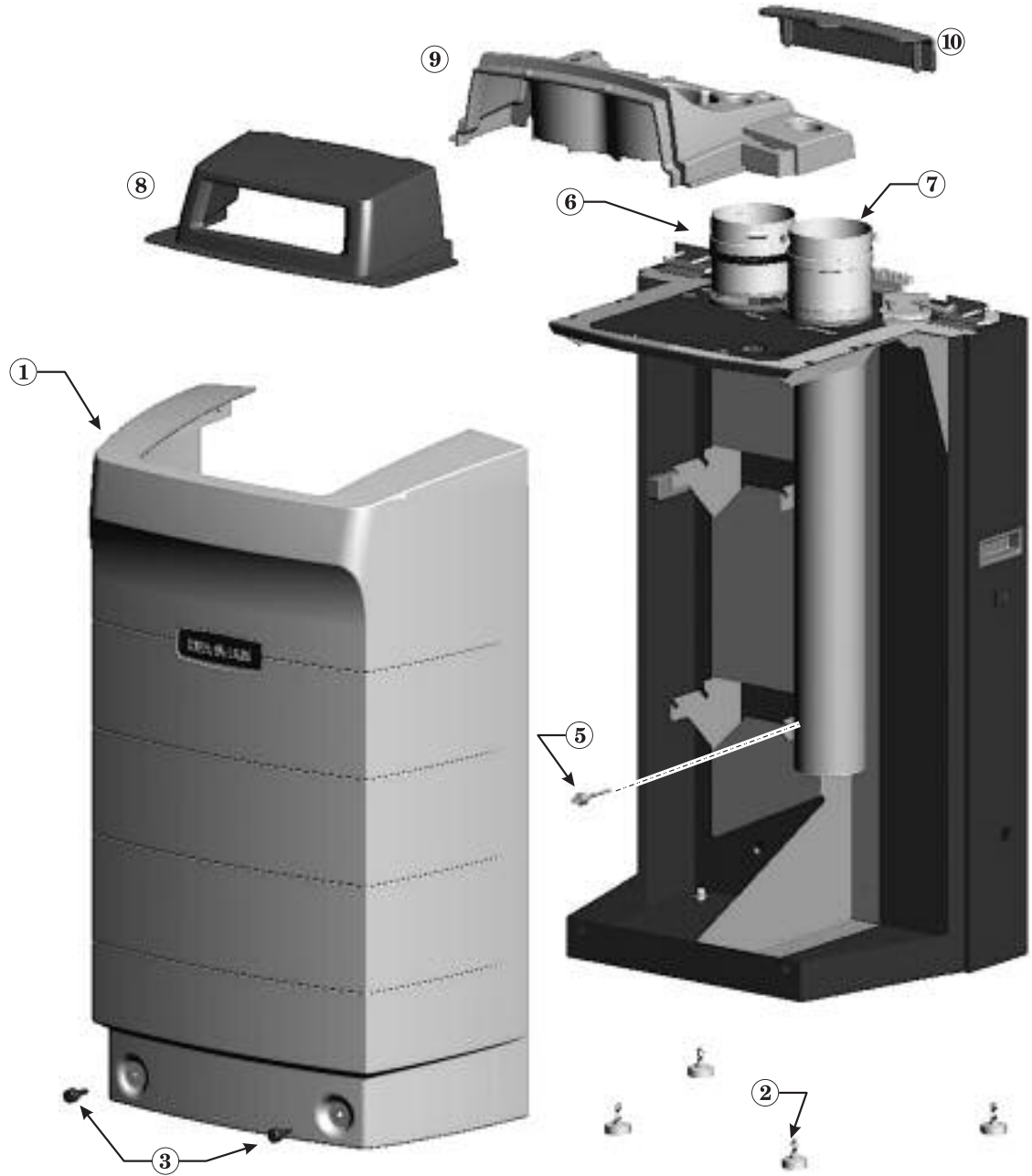
Jacket parts

Item	Description	Part Number
1	Jacket front door	383-500-135
2	Boiler leg kit	4 Required 383-500-065
3	Knurled head screw for jacket front door	2 Required 383-500-320
4	Knurled head screw clip-on receptacle (not shown)	2 Required 383-500-180
5	Flue temperature sensor replacement kit	383-500-055
6	Air adapter assembly (Includes adapter, gasket and mounting bracket)	
	Ultra-80, -105, -155, 3"	383-500-145
	Ultra-230, -310, 4"	383-500-150
7	Flue outlet pipe adapter	Ultra-80 & -105, 3" 383-500-001 Ultra-155, 3" 383-500-155 Ultra-230, -310, 4" 383-500-160
8	Top cover, front	383-500-165
9	Top cover, rear	Ultra-80 to -230 383-500-170 Ultra-310 595-000-006
10	Electrical cabinet door	383-500-175
NS	Door gasket replacement kit	383-500-133
NS	120v Electrical Socket (Ultra 155,230,310 only)	591-391-930

GAS

Replacement parts *(continued)*

Jacket parts



GAS

U034

Ultra Boiler Series 1 & 2

Replacement parts *(continued)*

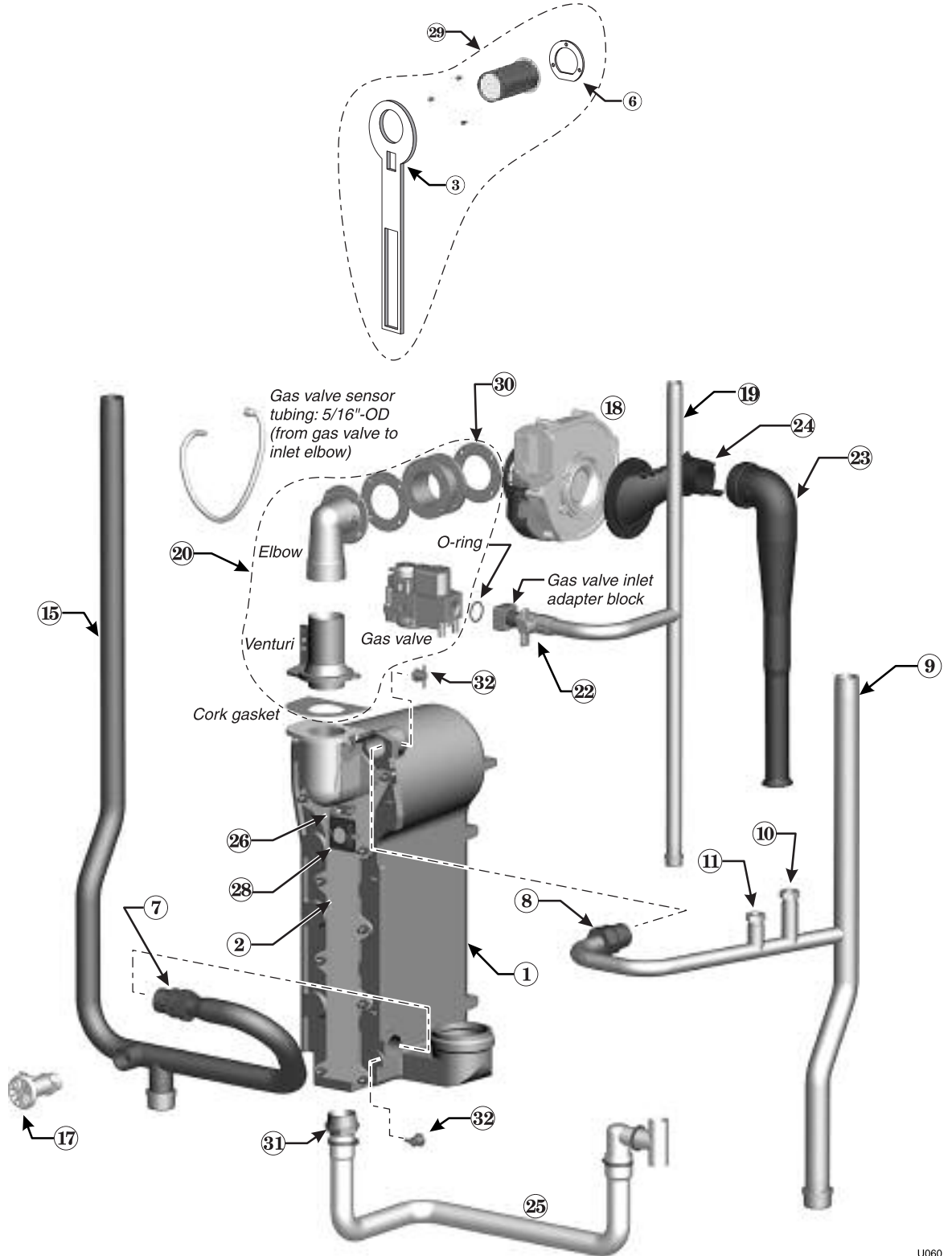
Heat exchanger and piping — Ultra-80 & -105

Item	Description	Boiler Models	Part Number
1	Heat exchanger replacement kit — Heat exchanger, cover plate, burner, electrode, water sensors, compression fittings, condensate fitting, gaskets, and hardware	Ultra-80NG Ultra-80LP Ultra-105	383-501-023 383-501-024 383-501-035
2	Cover plate replacement kit — Cover plate, cover plate gasket, burner gasket, and hardware	Ultra-80, -105	383-501-022
3	Cover plate gasket/insulation	Ultra-80, -105	591-200-000
6	Burner gasket	Ultra-80, -105	590-300-000
7	Water compression fitting, 28 mm	Ultra-80, -105	383-500-260
8	Water compression fitting, 22 mm	Ultra-80, -105	564-100-002
9	Water supply piping assembly — Pipe, temperature well, check valve, cap (assembled) & compression fitting	Ultra-80, -105	383-501-036
10	½" NPT well for temperature gauge	All	383-500-270
11	Pressure/temperature gauge check valve	All	383-500-275
15	Return water pipe assembly — Pipe, drain valve, cap (assembled) & compression fitting	Ultra-80, -105	383-501-037
17	Boiler drain valve, ¾" NPT	All	511-246-392
18	Blower assembly kit — Blower, gasket, and hardware	Ultra-80, -105	383-501-027
19	Gas pipe assembly — Gas pipe, shut-off valve, 1 1/2" nipple, adapter block, O-ring, and hardware	Ultra-80, -105	383-501-038
20	Gas valve/venturi kit — Gas Valve, venturi, 90° elbow, gaskets, and hardware (assembled) (For LP boilers, make sure to reinstall the existing propane orifice.)	Ultra-80	383-501-029
	Gas valve/venturi kit — Gas Valve, venturi, 90° elbow, gaskets, and hardware (assembled) (For LP boilers, make sure to reinstall the existing propane orifice.)	Ultra-105	383-501-030
22	Manual gas valve, ½" NPT	Ultra-80, -105	Obtain locally
23	Air silencer kit — Air silencer and gasket	Ultra-80, -105	383-501-026
24	Air silencer adapter kit — Air silencer adapter and hardware	Ultra-80, -105	383-501-025
25	Condensate trap kit — Condensate trap, hose clamps, pvc fittings, and gasket	Ultra-80, -105	383-501-031
26	Ignition electrode kit — Ignition electrode, suppressor, gasket, and hardware	All	383-500-045
27	Ignition cable kit (not shown) — Ignition cable, suppressor, and wire tie	All	383-500-050
28	Inspection glass kit — Bracket, glass, gasket, and hardware	All	383-500-020
29	Burner replacement kit — Burner, gaskets and hardware	Ultra-80NG Ultra-80LP Ultra-105	383-501-032 383-501-033 383-501-034
30	Gasket	Ultra-80, -105	590-300-003
31	Condensate fitting	Ultra-80, -105	56 -200-000
32	Return/supply sensor kit — (1) sensor	All	383-500-300
	Cork gasket goes between gas valve venturi & burner inlet	All	590-317-310

Ultra Boiler Series 1 & 2

Replacement parts *(continued)*

Heat exchanger and piping – Ultra-80 & -105



GAS

U060

Ultra Boiler Series 1 & 2

Replacement parts *(continued)*

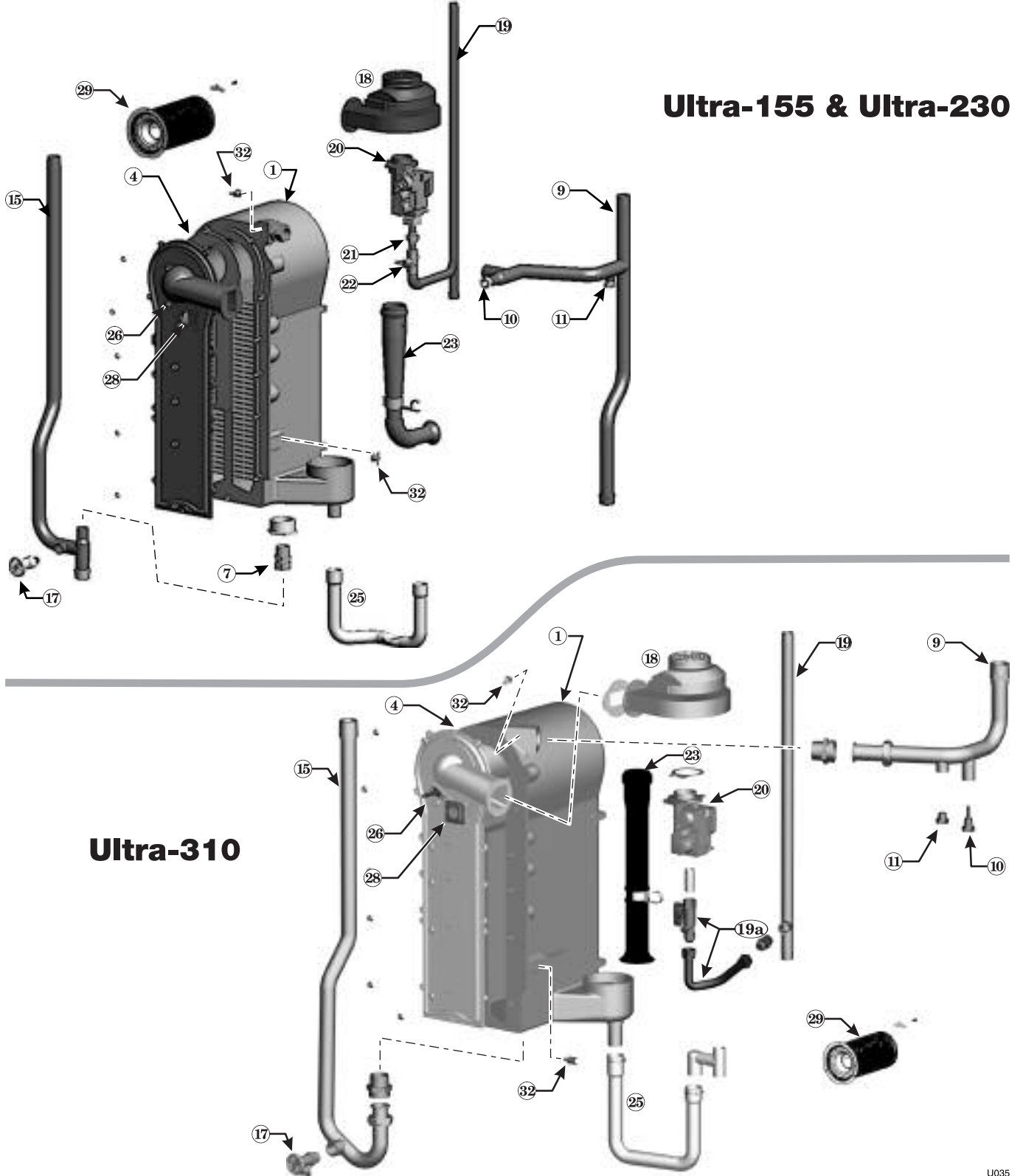
Heat exchanger and piping — Ultra-155 to -310

Item	Description	Boiler Models	Part Number
1	Heat exchanger replacement kit — Heat exchanger, cover plate, burner, electrode, water sensors, compression fittings, gaskets, and hardware	Ultra-155 Ultra-230 Ultra-310	383-500-070 383-500-075 383-500-375
2	Cover plate replacement kit — Cover plate, cover plate gasket, burner gasket, and hardware	-155/-230/-310	383-500-395
4	Cover plate insulation	-155/-230/-310	383-500-250
5	Cover plate gasket (not shown)	-155/-230/-310	383-500-255
7	Water compression fitting, 28 mm	Ultra-155/-230	383-500-260
9	Water supply piping assembly — Pipe, temperature well, check valve, cap (assembled) & compression fitting	Ultra-155/-230 Ultra-310	383-501-036 383-500-380
10	½" NPT well for temperature gauge	All	383-500-270
11	Pressure/temperature gauge check valve	All	383-500-275
14	Return water bushing, 1¼" BSP x 1" BSP (not used on Ultra-310)	Ultra-155/-230	383-500-280
15	Return water pipe assembly — Pipe, drain valve, cap (assembled) & compression fitting	Ultra-155/-230 Ultra-310	383-500-285 383-500-385
17	Boiler drain valve, ¾" NPT	All	511-246-392
18	Blower assembly kit — Blower, gasket, and hardware	Ultra-155	383-500-035
	Blower assembly kit — Blower, gasket, molex adapter, and hardware	Ultra-230	383-500-040
	Blower assembly kit — Blower, gasket, and hardware	Ultra-310	383-500-360
19	Gas pipe assembly — Gas pipe and shut-off valve Gas pipe (Ultra-310 only)	Ultra-155/-230 Ultra-310	383-500-290 560-907-679
19a	Flexible gas line section and shut-off valve (Ultra-310 only)	Ultra-310	560-900-016
20	Gas valve/venturi kit — Gas Valve/venturi assembly, adapter block, O-ring and hardware (For LP boilers, make sure to reinstall the existing propane orifice.)	Ultra-155 Ultra-230 Ultra-310	383-500-025 383-500-030 383-500-390
21	Ground joint union, ½" NPT	Ultra-155/-230	Obtain locally
22	Manual gas valve, ½" NPT	Ultra-155/-230	Obtain locally
23	Air silencer kit — Air silencer and gasket	Ultra-155/-230 Ultra-310	383-500-295 383-500-355
25	Condensate trap kit — Condensate trap, hose clamps, pvc fittings, and gasket	Ultra-155 Ultra-230 Ultra-310	383-500-031 383-500-060 383-500-365
26	Ignition electrode kit — Ignition electrode, suppressor, gasket, and hardware	All	383-500-045
27	Ignition cable kit (not shown) — Ignition cable, suppressor, and wire tie	All	383-500-050
28	Inspection glass kit — Bracket, glass, gasket, and hardware	All	383-500-020
29	Burner replacement kit — Burner, gaskets and hardware Please Note: 383-500-370 Ultra 310 (Burner for Natural Gas Only)	Ultra-155 Ultra-230 Ultra-310	383-500-085 383-500-090 383-500-370
32	Return/supply sensor kit — (1) sensor	All	383-500-300
33	Burner replacement kit — Burner, gaskets, and hardware for natural or propane, Series 1 or 2	Ultra-310	383-500-407
	Cork gasket goes between gas valve venturi & blower	All	590-317-310

Ultra Boiler Series 1 & 2

Replacement parts *(continued)*

Heat exchanger and piping – Ultra-155 to -310



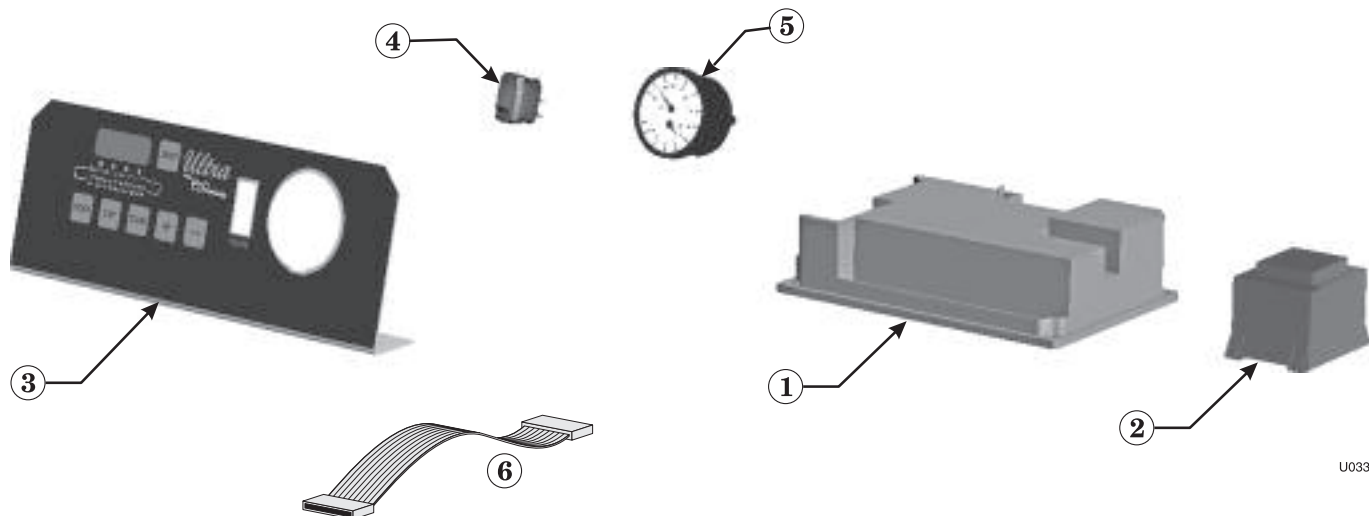
GAS

Ultra Boiler Series 1 & 2

Replacement parts *(continued)*

Controls

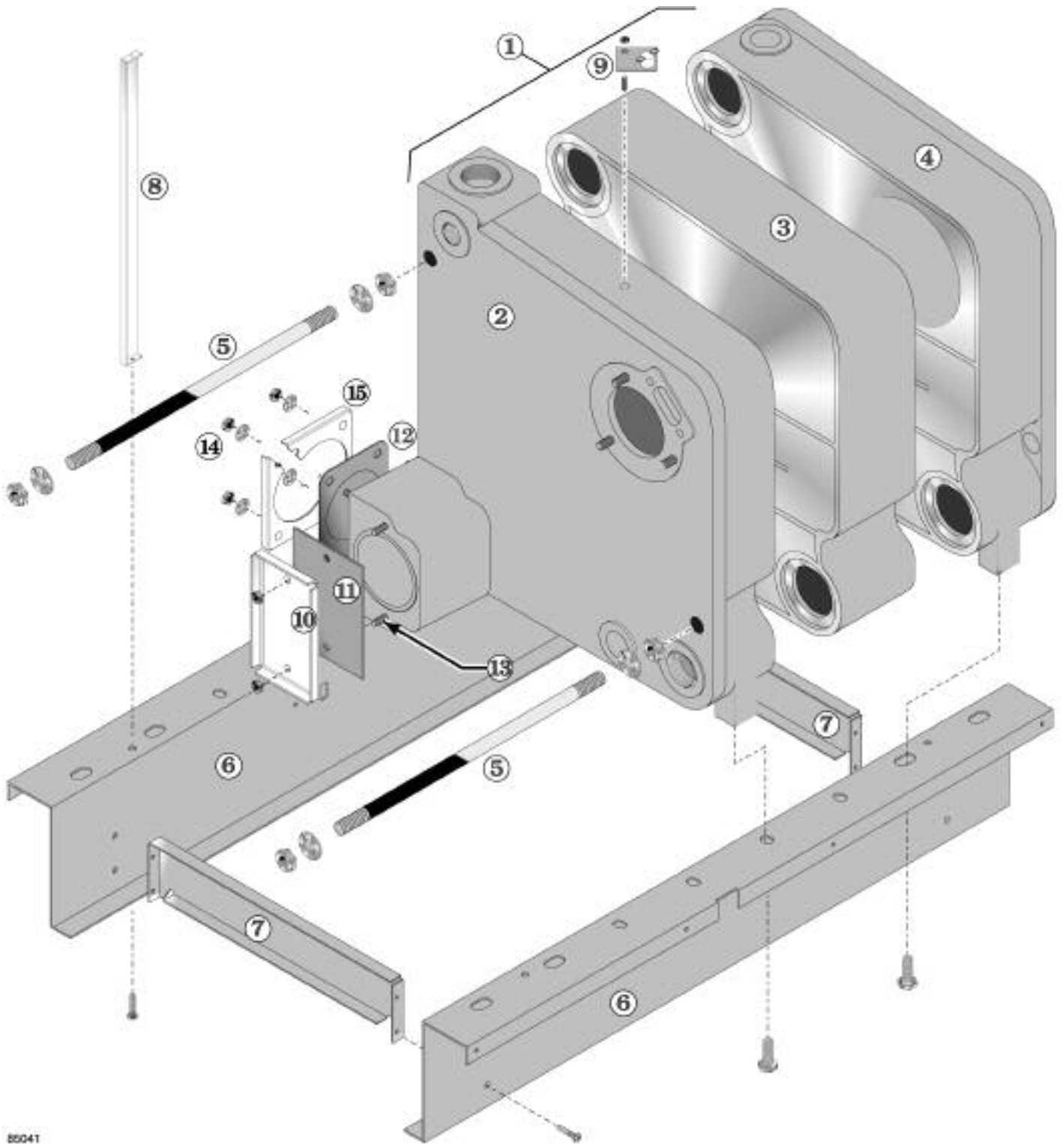
Item	Description	Part Number
1	Ultra control module Ultra-80/105/155/230 Ultra-310	383-500-190 511-330-258
2	Transformer, 120v/24v	383-500-195
3	Display board kit (Includes display, bracket, label, and off-set)	383-500-408
4	On/off power switch	383-500-205
5	Pressure/temperature gauge assy., (Includes temperature and pressure sensor)	383-500-210
6	Ribbon cable, control module to display board	383-500-215
7	Low voltage wire harness assembly for Ultra-80 & -105 (not shown) Low voltage wire harness assembly for Ultra-155 & -230 (not shown) Low voltage wire harness assembly for Ultra-310 (not shown)	591-300-002 383-500-220 591-391-941
8	Line voltage wire harness assembly for Ultra-80 & -105 (not shown) Line voltage wire harness assembly for Ultra-155 & -230 (not shown) Line voltage wire harness assembly for Ultra-310 (not shown)	591-300-001 383-500-230 591-391-940
9	Control module fuses (not shown) F1 — 5-amp, fast-blow (5 fuses) F3 — 4-amp, slow-blow (5 fuses)	383-500-235 383-500-240
10	120 volt, 3-wires receptacle (not shown)	383-500-245
11	Circulator relay (Ultra-310 only, not shown) White-Rodgers 90-362 SPST, 120 VAC	510-350-200
12	Display board kit, Series 2, <i>(will work with Series 1)</i> -includes display, bracket, label, offset and data port	383-500-408
	Gas valve plug for 155, 230, & 310	591-391-927
	Data Port cover (Series 2 only)	591-850-570



U033

NOTES

GV Series 4 Section Assembly



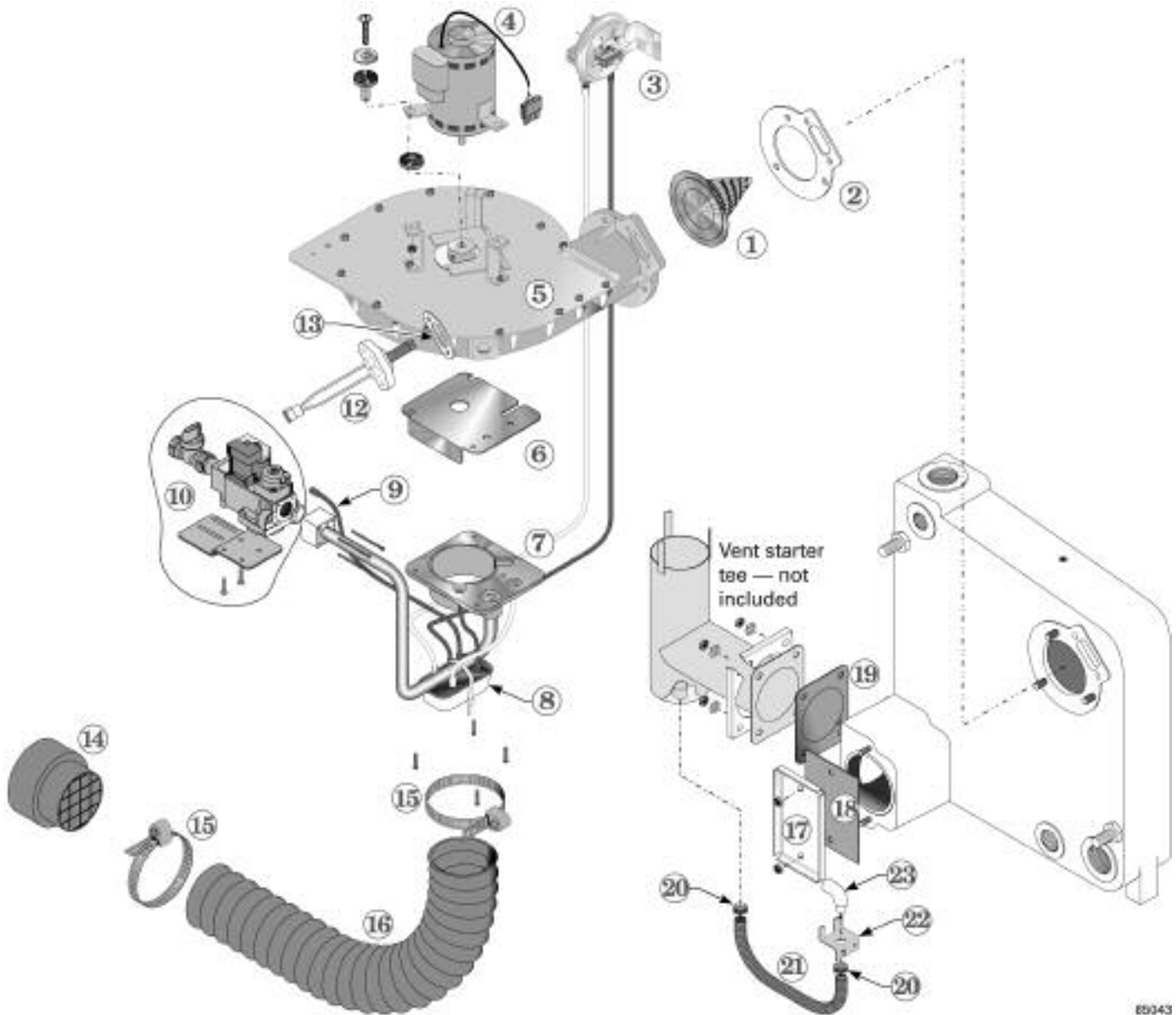
GAS

85041

GV Series 4 Section Assembly

Fig. No.	Part No.	Description	Size	Notes
1	322-200-280	Section Assembly, GV-3 (Repair Kit Required)	3	
1	322-200-281	Section Assembly, GV-4 (Repair Kit Required)	4	
1	322-200-282	Section Assembly, GV-5 (Repair Kit Required)	5	
1	322-200-283	Section Assembly, GV-6 (Repair Kit Required)	6	
	382-200-391	Repair Kit, Section Assemblies (Includes water tubing – pump to return, male adapter 1" N.P.T., blower flange gasket, ignitor, ignitor gasket, screws, studs, nuts, washers)		
2	312-200-150	Front Section 3913 (Repair Kit Required)	All	
	382-200-301	Repair Kit, Front Section (Includes square cut seals, silicone sealant, tie rod washers, water tubing – pump to return, male adapters 1" N.P.T., blower flange gasket, ignitor, ignitor gasket, screws, studs, washers, nuts)		
3	312-200-110	Intermediate Section 3915 (Repair Kit Required)	All	
4	312-200-130	Back Section 3918 (Repair Kit Required)	All	
	382-200-305	Repair Kit, Intermediate/ Back Sections (Includes square cut seals, silicone sealant, tie rod nuts, tie rod washers – 1 kit per joint)		
5	560-234-499	7/16" Tie Rod w/o Nut (2 per Boiler): GV-3 (10-1/2")	3	
5	560-234-525	7/16" Tie Rod w/o Nut (2 per Boiler): GV-4 (14")	4	
5	560-234-503	7/16" Tie Rod w/o Nut (2 per Boiler): GV-5 (18")	5	
5	560-234-504	7/16" Tie Rod w/o Nut (2 per Boiler): GV-6 (21")	6	
	561-928-235	Regular Hex Nut 7/16" (2 per Tie Rod)	All	
	562-248-684	Washer, Medium Plain Split Lock 7/16 (1 per Tie Rod)	All	
6	452-100-170	Base Rail Leg, GV-3 & 4	3 & 4	
6	452-100-172	Base Rail Leg, GV-5 & 6	5 & 6	
7	452-100-080	Base Rail Brace	All	
8	452-100-111	Blower Housing Support	All	
9	382-200-375	Block Temperature Limit Switch Kit (open 350° close 200°)	All	
10	590-907-629	Inspection Port Cover	All	
11	590-317-628	Inspection Port Gasket	All	
12	590-317-629	Starter Tee Gasket	All	
13	560-340-581	Stud, 5/16" – 18 x 1.25	All	
14	Obtain Locally	Hex nuts, 4 ea, 5/16" w/nylon lockseal Washer, plain, 4 ea., 5/16"	All	
15	699-999-029	Vent starter tee reinforcing plate sections (2)	All	

GV Series 4 Blower Assembly

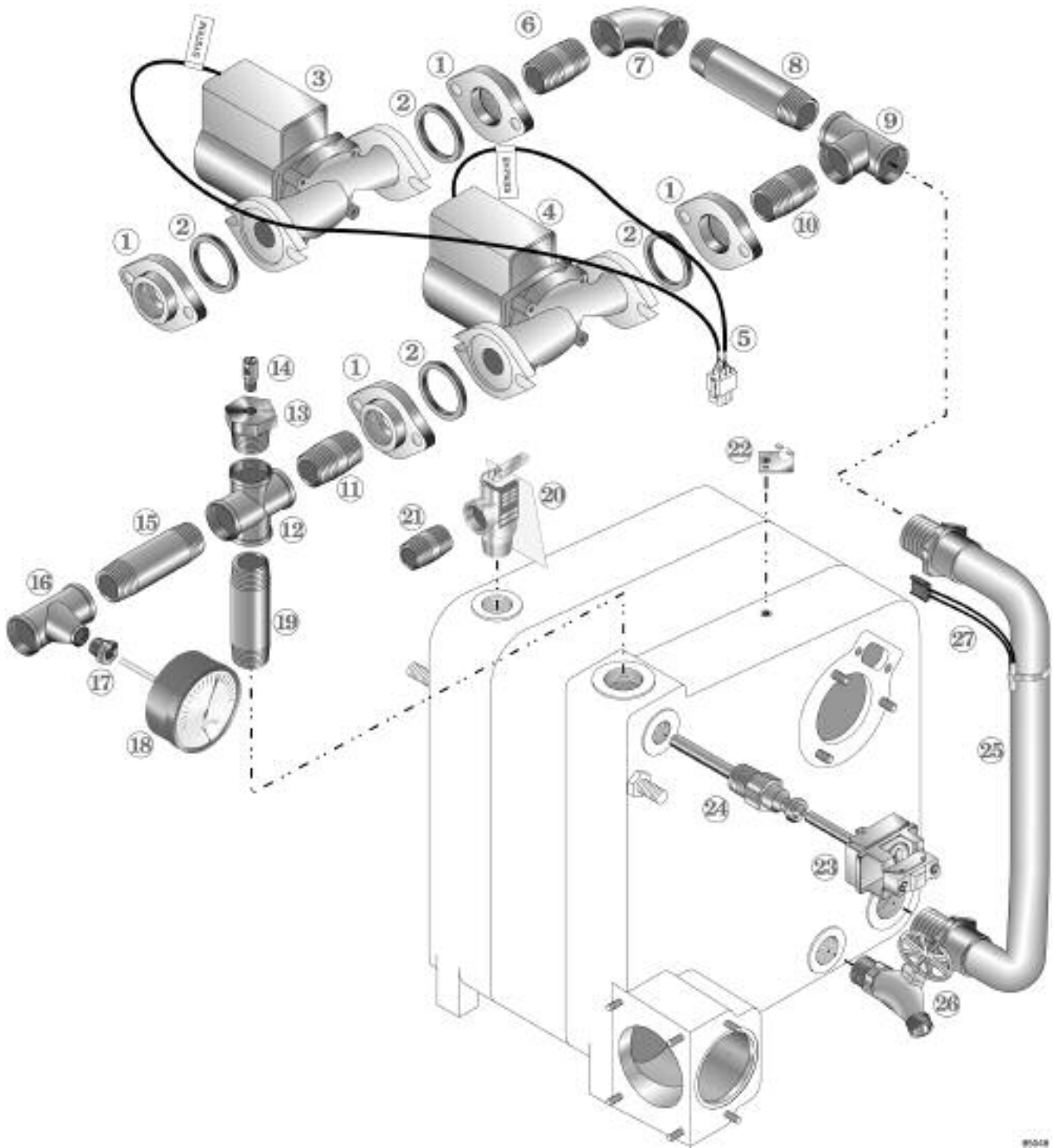


85943

GV Series 4 Blower Assembly

Fig. No.	Part No.	Description	Mfr.	Mfr's Part No.	Notes
1	382-200-320	Burner Replacement Kit GV-3 (Includes burner cone and ring assembly, blower flange gasket, igniter, igniter screws, igniter washers, igniter gasket)	Weil-McLain		
	382-200-325	Burner Replacement Kit GV-4 (Includes items listed above)	Weil-McLain		
	382-200-330	Burner Replacement Kit GV-5 (Includes items listed above)	Weil-McLain		
	382-200-335	Burner Replacement Kit GV-6 (Includes items listed above)	Weil-McLain		
2	590-317-610	Blower Flange Gasket	Weil-McLain		
3	511-624-520	Air Pressure Switch (0 – 5500' Elevation)	Tridelta	FS6330-527	
3	382-200-317	Air Pressure Switch Kit – High Altitude (5500 – 10,000' Elevation)	Tridelta	FS7008-1269	
4	382-200-345	Blower Motor Replacement Kit (Includes Blower motor, motor mount grommets, screws, lock nuts, allen wrench)	Weil-McLain		
5	382-200-340	Blower Housing Assembly Replacement Kit (Includes blower housing, observation port window, blower housing cover plate, blower motor mounting brackets, washer hold down bracket, lock nuts, motor mount grommets, blower motor (Fasco 7162-2941), blower wheel, magnetic washer, silicone sealant, screws, blower flange gasket, igniter, igniter screws, igniter washers, igniter gasket)	Weil-McLain		
6	510-811-600	Conversion Kit, Nat. to Propane (Includes propane orifice plate, label) GV-3	Weil-McLain		
	510-811-605	Conversion Kit, Nat. to Propane (Includes propane orifice plate, label) GV-4	Weil-McLain		
	510-811-610	Conversion Kit, Nat. to Propane (Includes propane orifice plate, label) GV-5	Weil-McLain		
	510-811-615	Conversion Kit, Nat. to Propane (Includes propane orifice plate, label) GV-6	Weil-McLain		
	510-811-620	Conversion Kit, Propane to Nat. (Includes natural orifice plate, label) GV-3	Weil-McLain		
	510-811-625	Conversion Kit, Propane to Nat. (Includes natural orifice plate, label) GV-4	Weil-McLain		
	510-811-630	Conversion Kit, Propane to Nat. (Includes natural orifice plate, label) GV-5	Weil-McLain		
	510-811-635	Conversion Kit, Propane to Nat. (Includes natural orifice plate, label) GV-6	Weil-McLain		
7	382-200-362	Gas/Air Manifold Assembly (Includes Gas/Air manifold, gas tubing, washers, screws, and gas valve O-ring)	Weil-McLain		
8	382-200-409	Sense Line Condensate Kit (Includes condensate trap, hoses)	Weil-McLain		
9	590-317-647	Gas Valve Tubing to Gas/Air Manifold	Weil-McLain		
10	382-200-411	Gas Valve Replacement Kit (Includes gas valve, gas cock, 1/2" nipple, mounting bracket, and gas valve O-ring)	Weil-McLain		
12	511-330-148	Igniter Replacement Kit (Includes igniter, gasket)	Weil-McLain		
13					
14	560-907-635	Inlet Air Fitting	Weil-McLain		
15	382-200-315	Kit, inlet air hose and two clamps	Weil-McLain		
17	560-907-629	Inspection Port Cover	Weil-McLain		
18	590-317-628	Inspection Port Gasket	Weil-McLain		
19	590-317-629	Starter Tee Gasket	Weil-McLain		
20	382-200-385	Hose Trap Replacement Kit, (Includes hose and 2 clamps)	Weil-McLain		
21					
22	452-100-112	Drain Bracket	Weil-McLain		
23	560-907-650	Drain Ell	Weil-McLain		
	699-999-025	GV Starter Tee available through vent manufacturer's see GV venting supplement (For other manufacturer's, see venting supplements)	Saf-T Vent	73WM STXL	
	382-200-430	Vent/Air Intake Terminal Kit S.S. (Includes Intake/Exhaust Cap, Coupling, Mounting and Backing Plate, Exhaust Tube Spacer, Anchors, Screws, and Washers)	Weil-McLain		
	382-200-406	Condensate Check Valve			
	590-317-599	Igniter gasket	Weil-McLain		

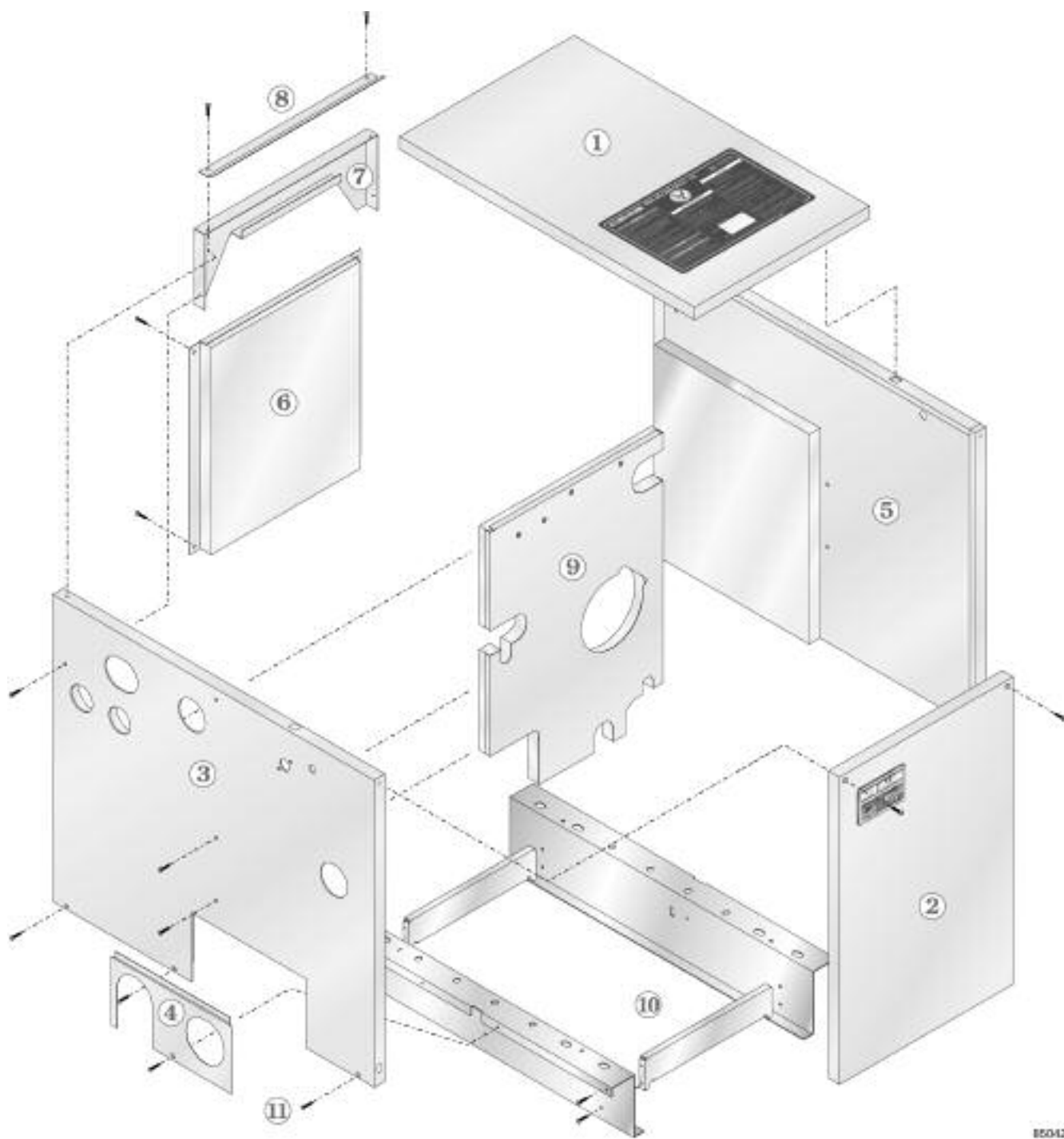
GV Series 4 Trim



GAS

GV Series 4 Trim

Fig. No.	Part No.	Description	Mfg.	Mfg's Part No.	Notes
1	381-354-525	1" Universal Hardware Kit (Includes Flange, Gasket, Screws, Nuts)	Weil-McLain		
2	590-317-535	Universal Circulator Gasket	Weil-McLain		
3 & 4	511-405-113	System and Bypass Circulator, 1/25 HP, 120/60/1 Motor, 1,750 RPM	Taco	007F	
	511-405-118	System and Bypass Circulator, 1/20 HP, 120/60/1 Motor, 1,750 RPM	B & G	NRF-22	
	511-405-126	System and Bypass Circulator, 1/25 HP, 120/60/1 Motor, 1,750 RPM	Grundfos	UP15-42FR	
5	591-391-824	Wiring harness, dual circulators to control module	Weil-McLain		
6	Available Locally	Nipple, black, 1" x close			
7	Available Locally	Elbow, Black, 1"			
8	Available Locally	Nipple, Black, 1" x 4 1/2"			
9	Available Locally	Tee, Black, 1"			
10	Available Locally	Nipple, Black, 1" x close			
11	Available Locally	Nipple, Black, 1" x close			
12	Available Locally	Cross, Black			
13	Available Locally	Bushing, Black, 1" x 1/8"			
14	510-148-565	Coin Vent, 1/8" N.P.T.	Keeny	#4SN	
15	Available Locally	Nipple, Black, 1" x 3"			
16	Available Locally	Reducing Tee, Black, 1" x 1" x 1/2"			
17	Available Locally	Bushing, Black, 1/2" x 1/4"			
18	510-218-047	Combination pressure-temperature gauge, 2 1/2" short shank (with self-sealing well, 1/2" npt)	Ametek	PTA 1088	
			ENFM-USA	4104-2-1/2-1/4	
19	Available Locally	Nipple, Black, 1" x 4"			
20	511-546-920	Pressure relief valve, 1/4" male inlet, 30 PSIG	Watts	M330	
21	Available Locally	Nipple, Black, 1/4" x 3"			
22	382-200-375	Block temperature limit switch kit (includes bracket and switch)	Elmwood Sensor	2455RC-174-113	
			Thermodisc	36T21 style 22058	
23 & 24	510-312-021	High Limit Temperature Control, SPST, Automatic Recycle, 160-220°F Range, 30°F Fixed Subtractive Differential, 1/2" N.P.T. Brass Control Well	Honeywell	L4080 D1226	
25	560-742-938	Copper return bend, 1", Requires 2 - 1" N.P.T. x 1" sweat adapters which can be obtained locally	Weil-McLain		
26	511-246-392	Drain valve, 1/4" x 1 1/2" shank	Watts	BD-2C	
			Hammond	710	
27	511-330-089	Water temperature sensor and clamp with 12" leads	Keystone Thermometrics	JW4465	
			Universal Technology	JW4465	
	510-632-088	Fill-Trol Diaphragm Expansion Tank, (Tank Only) with "O" Ring and Machine Thread Connection to Fill Valve	Amtrol	109	
	510-632-089	Fill-Trol Diaphragm Expansion Tank, (Tank Only) with "O" Ring and Machine Thread Connection to Fill Valve	Amtrol	110	
	511-210-433	Fill Valve, Angle Style-90°, with Built-In Strainer, Pressure Reducer, Check Valve, and Manual Shut-off	Conbraco	MX3907	
	382-200-420	Fill-Trol Package Tank Kit with Fittings	Amtrol	109	
	382-200-425	Fill-Trol Package Tank Kit with Fittings	Amtrol	110	



85042

GV Series 4 Jackets

Fig. No.	Part No.	Description	Boiler Size	Notes
1	422-200-146	Jacket Panel, Top	3 & 4	
	422-200-150		5 & 6	
2	422-200-140	Jacket Panel, Front	All	
	422-200-139	Jacket Panel, Front Pocket	All	
3	422-200-234	Jacket Panels, Left Side and Right Side	3 & 4	
	422-200-236		5 & 6	
4	422-200-230	Jacket Panel, Access	All	
5	See Fig # 3	Jacket Panels, Left Side and Right Side	3 & 4	
	See Fig # 3		5 & 6	
6	422-200-135	Jacket Panel, Rear	All	
7	422-200-232	Top Rail Brace	All	
8	422-200-137	Top Rail Cross Tie	All	
9	422-200-228	Jacket Panel, Interior	All	
10		Base Rail Assembly – See Section Assembly for Components		
11	569-928-025	Jacket Hardware Kit	All	
NS	592-000-000	Gold touch up paint, spray can	All	

GV Series 4 Ignition Controls

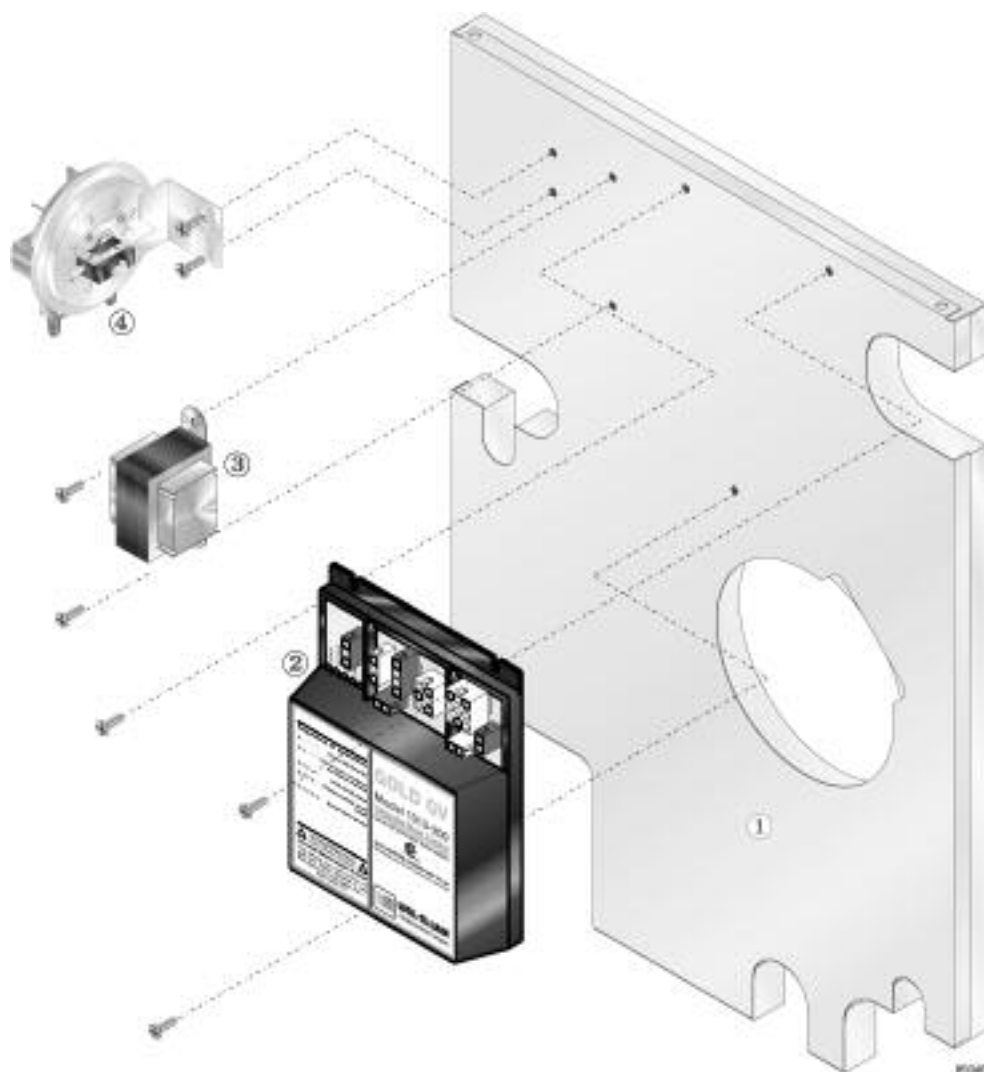
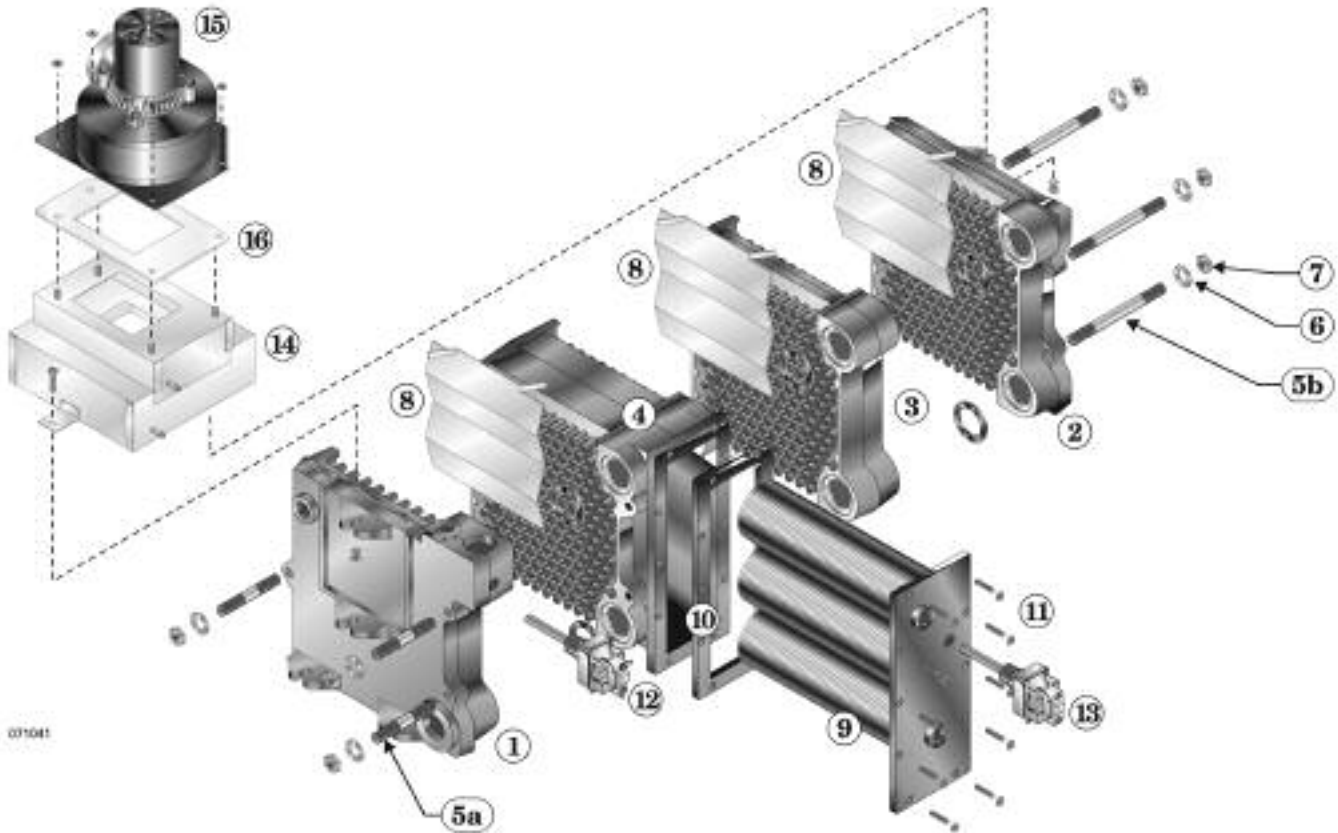


Fig. No.	Part No.	Description	Mfg.	Mfg's Part No.	Notes
1	422-200-228	Interior Control Panel Less Controls	Weil-McLain		
2	382-200-448	Gold Module Conversion Kit (Includes U T module 1013-200)	Weil-McLain		
3	511-842-370	Control Transformer, 120/24 Volt with Plug-In Connectors	Honeywell	AT140B1297	
			Basler	BE111640GDD	
			Products Unlimited	4000-01V18R223	
4	511-624-520	Air Pressure Switch (0-5500' Elevation)	Tridelta	PPS10139-2618	
NS	591-391-891	Wiring Harness, Control Module to Junction Box	Weil-McLain		
NS	591-391-819	Wiring Harness, Control Module to Hot Surface Igniter	Weil-McLain		
NS	591-391-824	Wiring Harness, Control Module to System and By-Pass Circulators	Weil-McLain		
NS	591-391-919	Wiring Harness, Control Module to Controls	Weil-McLain		

NOTES

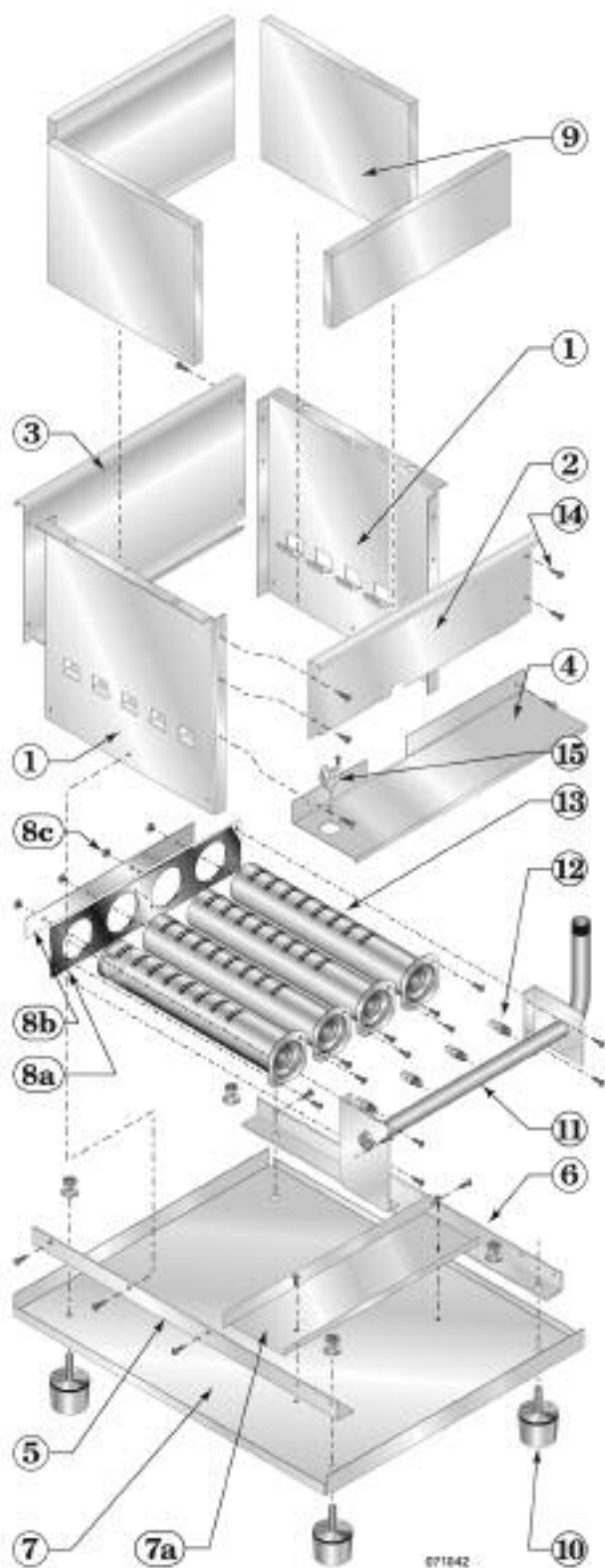
CGT Section Assembly



Item number	Description	Weil-McLain part number
1	End section, left hand, 51124	311-103-830
2	End section, right hand 51128	311-103-821
3	Intermediate section, 51125	311-103-818
4	Intermediate section for tankless	311-103-840
not shown	Replacement section assembly	321-114-354
not shown	Section replacement kit, includes seals and sealant for 1 joint	381-354-527
5a	Tie rod, without nut 7/16" x 4.00" (Qty: 3)	560-234-389
5b	Tie rod, without nut 7/16" x 6.50" (Qty: 3)	560-234-395
6	Washer, 7/16" (1 per tie rod)	562-248-684
7	Nut, 7/16" (1 per tie rod)	561-928-235
8	Radiation plate (1 per joint)	460-003-700

Item number	Description	Weil-McLain part number
9	Tankless heater	590-921-920
10	Gasket, tankless heater	590-317-584
11	Stud and nut assembly 3/8" x 1 1/8", qty:10	560-340-577
12	High limit, 30° differential, with well Honeywell: L4080D-1036 White-Rodgers: 11B81-3	510-312-250
13	Tankless heater low limit, 8° differential, with well Honeywell 4080D-1044	510-312-152
14	Collector hood and transition assembly	450-020-497
15	Inducer fan assembly kit, includes: inducer fan assembly, gasket and nuts	381-354-587
16	Gasket, inducer	590-317-627

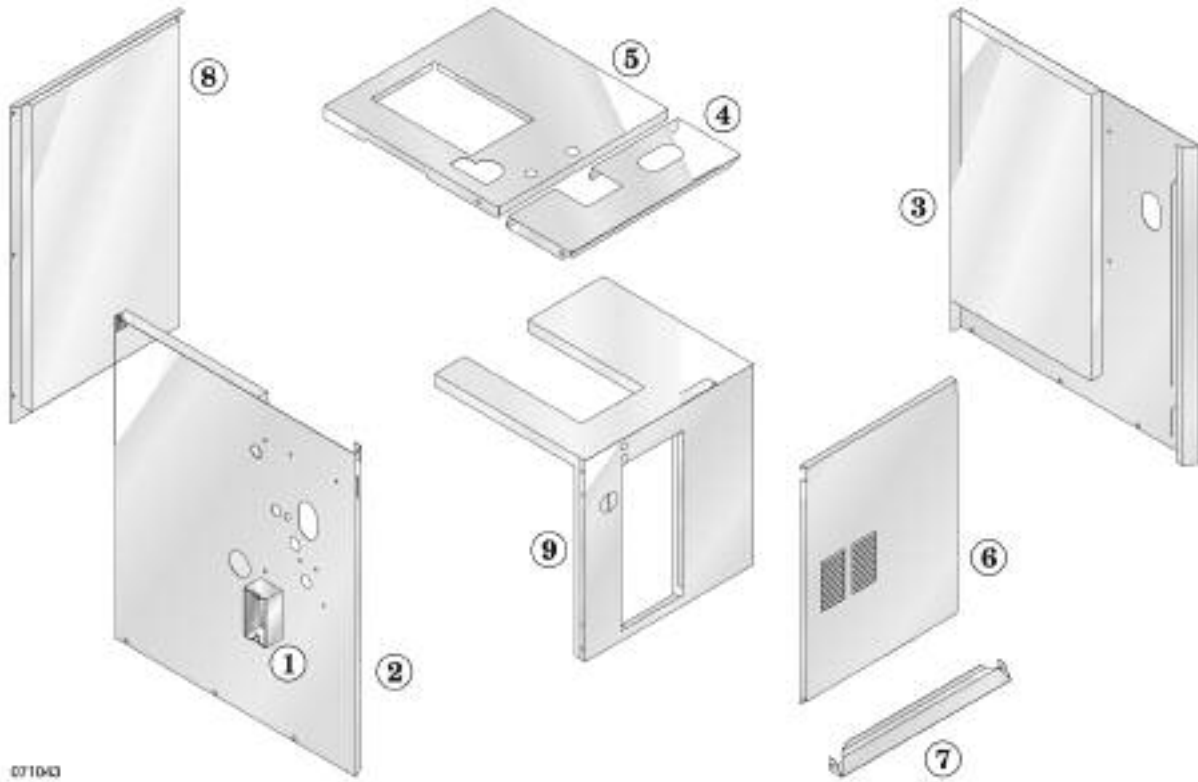
CGT Base Assembly



Item number	Description	Weil-McLain part number
	Base assembly kit (includes base panels items 1, 2, 3, 4, 5, 6 and 7)	381-354-339
1	Base side panel (in Base assembly)	
2	Base front cross-tie assembly (in Base assembly)	
3	Base back cross-tie assembly (in Base assembly)	
4	Burner shield (in Base assembly)	
5	Base pan angle, left side (in Base assembly)	
6	Base pan angle, right side (in Base assembly)	
7	Base pan (in Base assembly)	
7a	Base pan air baffle (in Base assembly)	
8a	Burner mounting plate	450-003-692
8b	Rear spacing strip	550-320-162
8c	Nut, hex 5mm Zp	available locally
9	Base insulation kit	381-354-332
10	Boiler leg kit, 4 required	550-320-219
11	Manifold	591-126-737
12	Main burner orifice — Natural gas, 2.7 mm	560-529-077
13	Burner CGT-5 has 4 burners	512-200-076
14	Screw, 10-32 x 0.38 STP type 23 hx, washer Hd slot	available locally
15	Rollout thermal fuse element	512-050-230
NS	LP orifice, 1.65 mm	560-529-078

GAS

CGT Jacket Assembly



071043

Item number	Description	Weil-McLain part number
1	Junction box, 2 x 4 x 1.5	available locally
2	Jacket panel, left side, with insulation	431-223-367
3	Jacket panel, right side	431-223-311
4	Jacket panel, top front	431-223-401
5	Jacket panel, top rear	421-300-024
6	Jacket panel, door and rear panel	431-223-333
7	Jacket cross tie, bottom front	431-223-327
8	Jacket panel, rear (Comes with Item 6 above)	
9	Jacket panel, interior	431-223-400
NS	Gold touch up paint, spray can	592-000-000

CGT Trim Assembly



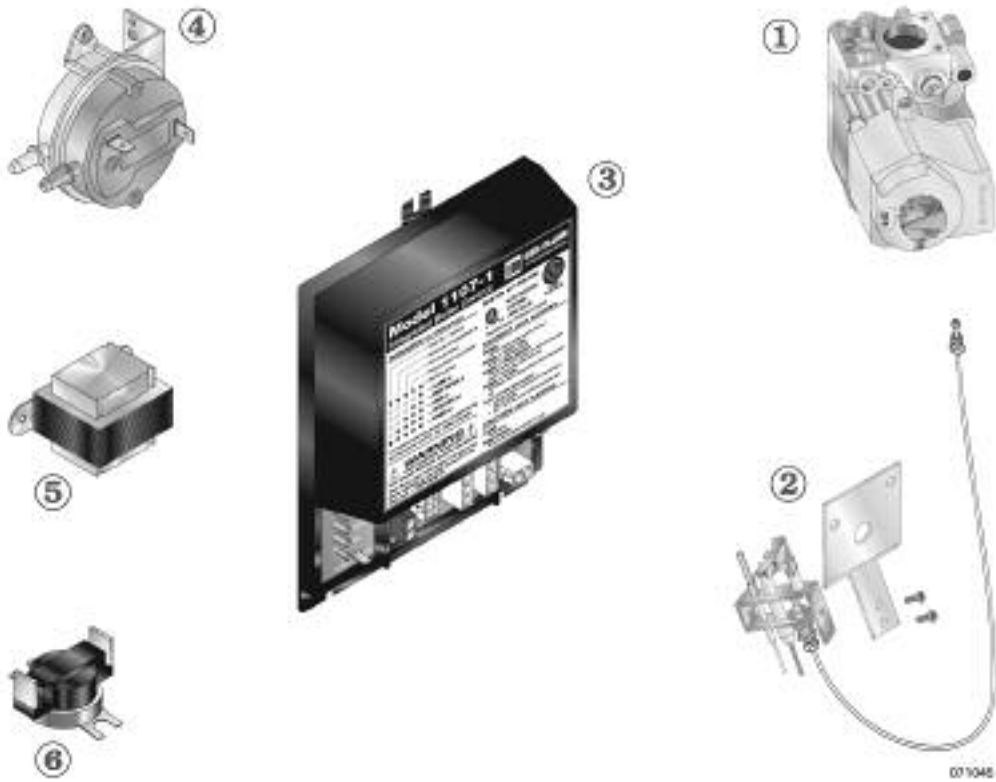
NOTICE

Pressure/temperature gauge well fitting is a self-closing valve. Gauge can be removed from well and replaced without draining the system.



Item number	Description	Manufacturer	Manufacturer's part number	Weil-McLain part number
1	Drain valve, 3/4" NPT/Bibb	Conbraco Hammond Vlv. Matco-Norca Watts	31-606-01 710 205F04 BD-2C	511-210-423 511-246-392 511-246-392 511-246-392
2	Tee, 1" x 3/4" x 1"			Available Locally
3	Nipple, 1 1/4" x 2 3/4" NPT			Available Locally
4	Nipple, 1 1/4" x 2" NPT			Available Locally
5	Circulator, pre-piped (Circulator hardware kit includes 2 flanges, 2 nuts, 2 screws)	B&G Taco	NRF-22-103253 007	511-405-118 511-405-113
6	Circulator gasket, universal (2 per boiler)	Weil-McLain		590-317-535
7	Circulator wiring harness kit (Molex for control end shipped loose)	Weil-McLain		591-391-904
8	Adapter, copper/NPT, 1" x 1"			Available Locally
9	Nipple, copper, 1" x cut to fit			Available Locally
10	3-Way valve actuator 3-Way valve body	Honeywell Honeywell		635-100-023 635-100-022
11	Main wire harness controls to module (see wiring diagram for connections)			591-391-920
13	Elbow, copper, 1"			Available Locally
15	Tee, 1" x 1" x 1", NPT			Available Locally
16	Self-sealing well for pressure/temperature gauge, 1/2" NPT	ENFM	4104	510-218-047
17	Combination pressure-temperature gauge, 2 1/2" short shank			
18	Nipple, 1" closing			Available Locally
19	Tee, 1 1/4" x 1 1/4" x 1" NPT			Available Locally
20	Nipple, 1 1/4" x 6"			Available Locally
21	Pressure relief valve, ASME, 30 PSIG, 3/4" male inlet Pressure relief valve, ASME, 30 PSIG, 3/4" female inlet (Fittings shown are factory-installed on boiler.)	Conbraco Watts Conbraco Watts	10-407-10 M330 10-408-05 335	511-546-920 511-546-924
22	Elbow, 3/4" NPT, pre-piped			Available Locally
23	Nipple, 3/4", pre-piped			Available Locally
24	Bushing, 1" x 1/2" NPT			Available Locally
NS	Domestic mixing valve, 3/4" sweat connections			511-210-458

CGT Gas Control Assembly



GAS

Item number	Description	Manufacturer		W I-L
1	Gas valve, Ω " x Ω "	Honeywell White-Rodgers	VR8204A2001 36E36-266	511-044-381 511-044-381
2	Pilot kit w/orifice & aluminum pilot gas tubing	Weil-McLain		511-330-080
3	Control module	United Technologies	1107-1	511-330-090
4	Air pressure switch, 1.53" w.c.	Tri-Delta		511-624-542
5	Control transformer			511-842-370
6	Ambient temperature switch (bracket not shown); 135°F; automatic reset	Therm-O-Disc	60T21 314367	540-130-401
NS	Tubing, air pressure switch, 0.12 I.D. silicone red, to collector hood white, to transition	Lydall		590-317-650 590-317-651
NS	Control wiring harness			591-391-920

CGs Section Assembly

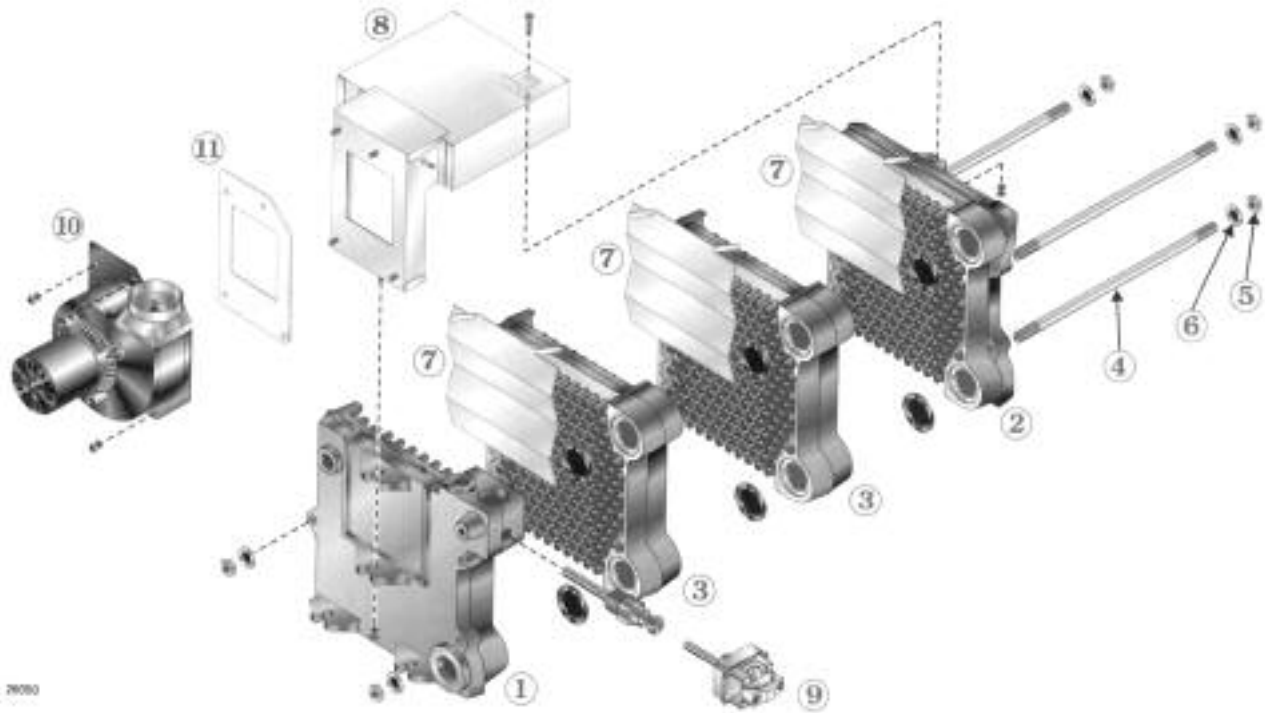


Fig. No.	Part No.	Description	Mfr.	Mfr.'s Part No.	Boiler Size	Notes
1	311-103-830	End Section, Left Hand, Cast # 51124	Weil-McLain		All	
2	311-103-821	End Section, Right Hand, Cast # 51128	Weil-McLain		All	
3	311-103-818	Intermediate Section, Cast # 51125	Weil-McLain		All	
NS	321-114-345	Replacement Section Assembly	Weil-McLain		3	
	321-114-346	Replacement Section Assembly	Weil-McLain		4	
	321-114-347	Replacement Section Assembly	Weil-McLain		5	
	321-114-348	Replacement Section Assembly	Weil-McLain		6	
	381-354-527	Section Replacement Kit, Includes Seals and Sealant for 1 Joint	Weil-McLain		All	
4	560-234-500	Tie Rod, 7/16" x 9" Without Nut (3 per Boiler)	Weil-McLain		3	
	560-234-501	Tie Rod, 7/16" x 12" Without Nut (3 per Boiler)	Weil-McLain		4	
	560-234-502	Tie Rod, 7/16" x 15" Without Nut (3 per Boiler)	Weil-McLain		5	
	560-234-503	Tie Rod, 7/16" x 18" Without Nut (3 per Boiler)	Weil-McLain		6	
5	561-928-235	Nut, 7/16" (2 per Tie Rod)	Weil-McLain		All	
6	562-248-684	Washer, Lock 7/16" (1 per Tie Rod)	Weil-McLain		All	
7	460-003-700	Radiation Plate (1 per Joint)	Weil-McLain		All	
8	381-354-590	Collector Hood and Transition Assembly	Weil-McLain		3	
	381-354-591	Collector Hood and Transition Assembly	Weil-McLain		4	
	381-354-592	Collector Hood and Transition Assembly	Weil-McLain		5	
	381-354-593	Collector Hood and Transition Assembly	Weil-McLain		6	
9	510-312-250	High Limit, 30° Subtractive Differential, With Well	Honeywell	L4080D-1036	All	
		High Limit, 30° Subtractive Differential, With Well	White-Rodgers	11B81-3		
10	381-356-499	Inducer Fan Assembly Kit, Includes Inducer Fan Assembly, Gasket and Nuts	Fasco	7021-10410	All	
				7062-5326		
11	590-317-627	Gasket, Inducer	Weil-McLain		All	
NS	382-200-430	Includes Intake/Exhaust cap, coupling, mounting & backing plate and hardware	Weil-McLain			

CGs Base Assembly

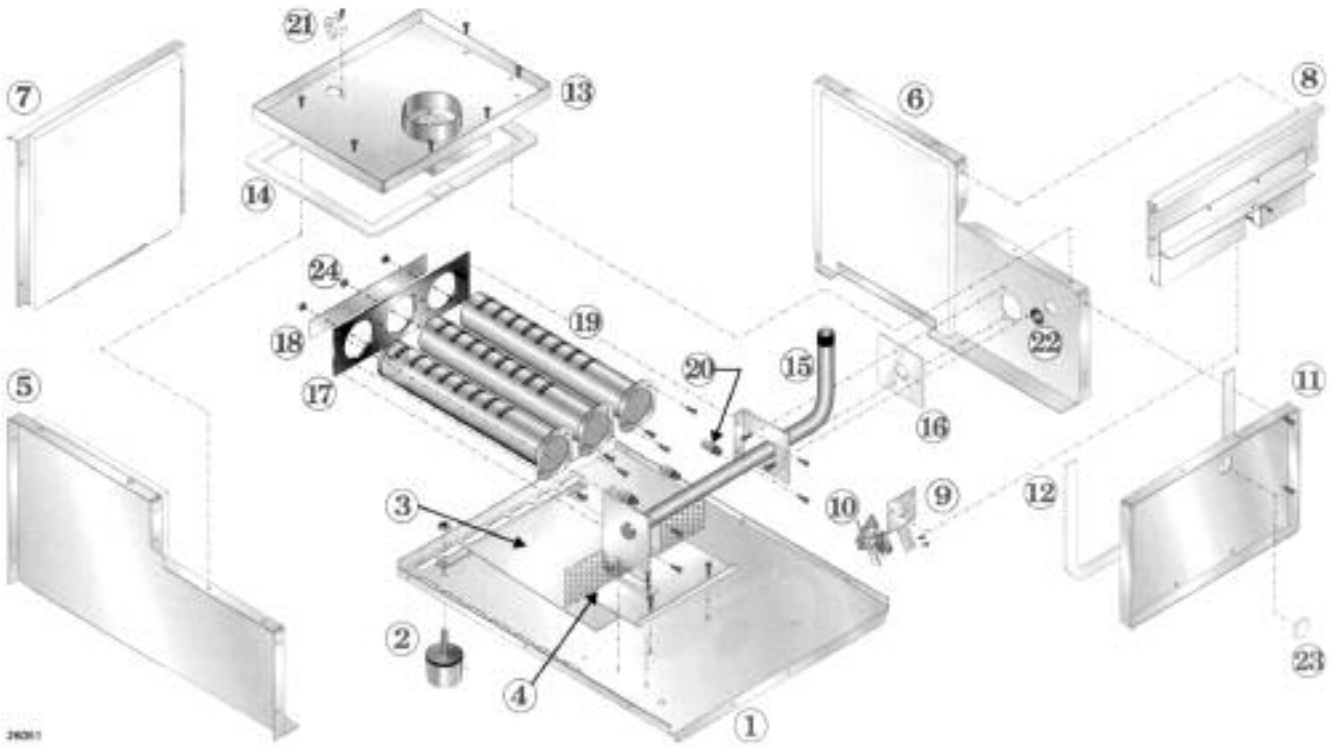


Fig. No.	Part No.	Description	Mfr.	Mfr.'s Part No.	Boiler Size	Notes
	381-356-515	Base Insulation Kit (Includes insulation for all base parts plus gasket material needed between block assembly and base)	Weil-McLain		3	
	381-356-516	Base Insulation Kit (Same as above)	Weil-McLain		4	
	381-356-517	Base Insulation Kit (Same as above)	Weil-McLain		5	
	381-356-518	Base Insulation Kit (Same as above)	Weil-McLain		6	
	381-356-522	Base Assembly Kit (Includes base panels, items 1,2,3,4,5,6,7,8,11, and 13, plus insulation, air box gaskets, and hardware)	Weil-McLain		3	
	381-356-523	Base Assembly Kit (Same as above)	Weil-McLain		4	
	381-356-524	Base Assembly Kit (Same as above)	Weil-McLain		5	
	381-356-525	Base Assembly Kit (Same as above)	Weil-McLain		6	

CGs Base Assembly

	381-356-501	Inlet Air Box Top Panel Kit (Includes items 13 and 14)	Weil-McLain		3	
	381-356-502	Inlet Air Box Top Panel Kit (Same as above)	Weil-McLain		4	
	381-356-503	Inlet Air Box Top Panel Kit (Same as above)	Weil-McLain		5	
	381-356-504	Inlet Air Box Top Panel Kit (Same as above)	Weil-McLain		6	
	381-356-508	Inlet Air Box Front Panel Kit (Includes items 11 and 12)	Weil-McLain		3	
	381-356-509	Inlet Air Box Front Panel Kit (Same as above)	Weil-McLain		4	
	381-356-510	Inlet Air Box Front Panel Kit (Same as above)	Weil-McLain		5	
	381-356-511	Inlet Air Box Front Panel Kit (Same as above)	Weil-McLain		6	
1	N/A	Base pan (In base assembly)	Weil-McLain		All	
2	550-320-219	Boiler Leg Kit	Weil-McLain		All	
3	N/A	Heat Shield (In base assembly)	Weil-McLain		All	
4	N/A	Burner Baffle (In base assembly)	Weil-McLain		All	
5	N/A	Base Left Side Panel (In base assembly)	Weil-McLain		All	
6	N/A	Base Right Side Panel (In base assembly)	Weil-McLain		All	
7	N/A	Base Back Panel (In base assembly)	Weil-McLain		All	
8	N/A	Base Front Cross-tie Assembly (In base assembly)	Weil-McLain		All	
9	450-003-689	Pilot Bracket	Weil-McLain		All	
10	511-330-080	Pilot Burner Assembly – Natural Gas	PSE	PSE-NA231	All	
	511-330-081		PSE	PSE-LP231	All	
11	N/A	Inlet Air Box Front Panel (In inlet air box front panel kit)	Weil-McLain		All	
12	N/A	Inlet Air Box Front Panel Gasket (Use Air Inlet Box gasket)	Weil-McLain		All	
13	N/A	Inlet Air Box Top Panel (In inlet air box top panel kit)	Weil-McLain		All	
14	N/A	Inlet Air Box Top Panel Gasket (Use Air Inlet Box gasket)	Weil-McLain		All	
	590-317-400	Air Inlet Box Gasket (8' long, must be cut to length)	Weil-McLain		All	
15	591-126-722	Manifold	Weil-McLain		3	
	591-126-723	Manifold	Weil-McLain		4	
	591-126-724	Manifold	Weil-McLain		5	
	591-126-725	Manifold	Weil-McLain		6	
16	590-317-406	Manifold Mounting Gasket	Weil-McLain		All	
17	450-003-690	Burner Mounting Panel	Weil-McLain		3	
	450-003-691	Burner Mounting Panel	Weil-McLain		4	
	450-003-692	Burner Mounting Panel	Weil-McLain		5	
	450-003-693	Burner Mounting Panel	Weil-McLain		6	
18	550-320-160	Rear Spacer Strip	Weil-McLain		3	
	550-320-161	Rear Spacer Strip	Weil-McLain		4	
	550-320-162	Rear Spacer Strip	Weil-McLain		5	
	550-320-163	Rear Spacer Strip	Weil-McLain		6	
19	512-200-076	Burner	Weil-McLain		All	
20	560-529-077	Burner rifice – Natural Gas, Sea Level 27mm	Weil-McLain		All	
	560-529-078	Burner Orifice – LP Gas, Sea Level 1.65mm	Weil-McLain		All	
21	512-050-230	Thermal Fuse Element, 229° C	Elmwood Sensor	RD226-001	All	
			Microtemp	G4AM0600 229C		
22	591-850-064	Grommet for Sealing Pilot tubing/wiring Opening to Combustion Air Box	Weil-McLain		All	
23	591-491-216	Inspection port Clear Plug	Weil-McLain		All	
24	N/A	Hex Nut for Burner End Stud (5 mm) Purchase Locally				

Number of burners CGs-3 - 2 burners, CGs-4 - 3 burners, CGs-5 - 4 burners, CGs-6 - 5 burners.

CGs Trim

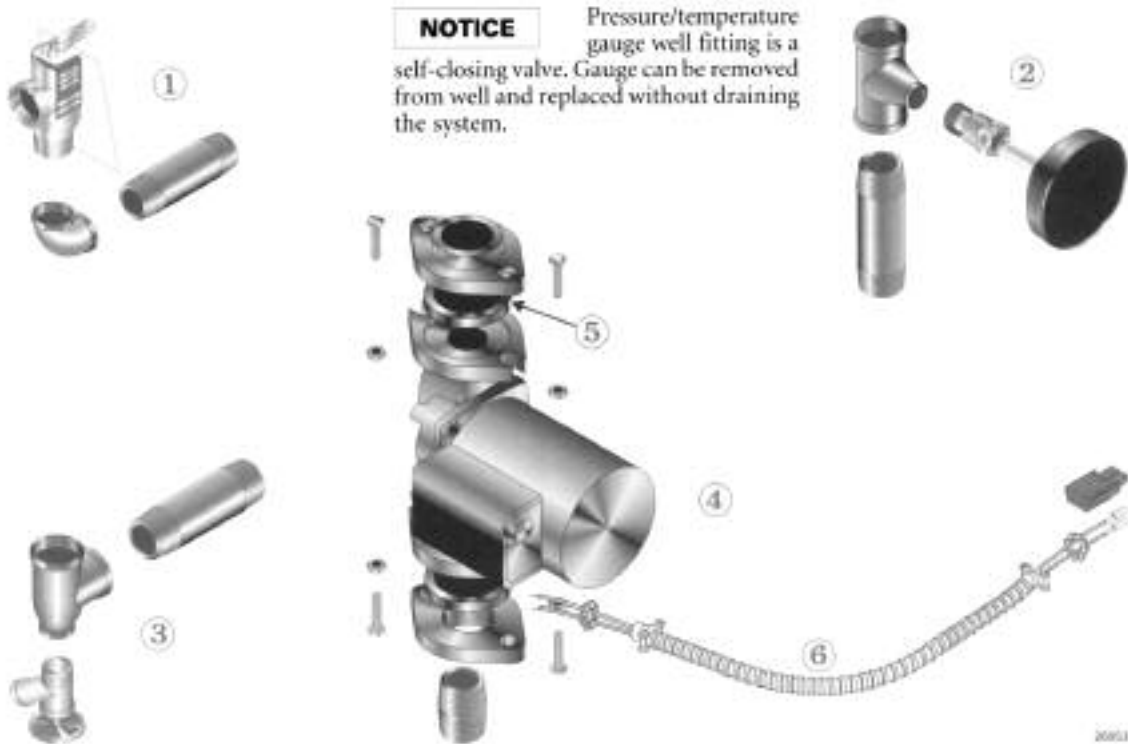


Fig. No.	Part No.	Description	Mfr.	Mfr.'s Part No.	Boiler Size	Notes
1	511-546-920	Pressure Relief Valve, ASME, 30 PSIG, 3/4" Male Inlet*	Conbraco	10-407-10	All	
		Pressure Relief Valve, ASME, 30 PSIG, 3/4" Male Inlet*	Watts	M330		
	511-546-924	Pressure Relief Valve, ASME, 30 PSIG, 3/4" Female Inlet*	Conbraco	10-408-5	All	
		Pressure relief Valve, ASME, 30 PSIG, 3/4" Female Inlet*	Watts	335		
2	510-218-047	Combination Pressure-Temperature Gauge, 2 1/2" Short Shank, self-sealing well 1/2" npt	Honeywell	TDV-040	All	
		Combination Pressure-Temperature Gauge, 2 1/2" Short Shank, self-sealing well 1/2" npt	ENFM	4104		
3	511-210-423	Drain Valve, 3/4"*	Conbraco	31-606-01	All	
		Drain Valve, 3/4"*	Hammond	710		
	511-246-392	Drain Valve, 3/4"*	Watts	BD-2C	All	
		Drain Valve, 3/4"*	Nibco	74		
4	511-405-118	Circulator*	Bell & Gossett	NRF-22	All	
	511-405-126	Circulator*	Grundfos	UP15-42FR-TB4	All	
	511-405-113	Circulator*	Taco	007		
5	590-317-535	Circulator Gasket, Universal (2 per boiler)	Weil-McLain		All	
NS	381-354-525	Circulator Hardware Kit, Includes – 1 Flange, 1 gasket, 2 Nuts, 2 Screws – 1" NPT	Weil-McLain		3, 4, 5	
NS	381-354-526	Circulator Hardware Kit, Includes – 1 Flange, 1 gasket, 2 Nuts, 2 Screws – 1 1/4" NPT	Weil-McLain		6	
6	381-356-528	Circulator Wiring Harness Kit, with Molex (Loose)	Weil-McLain		All	

* Pipe Fittings Available Locally

CGs Gas Controls

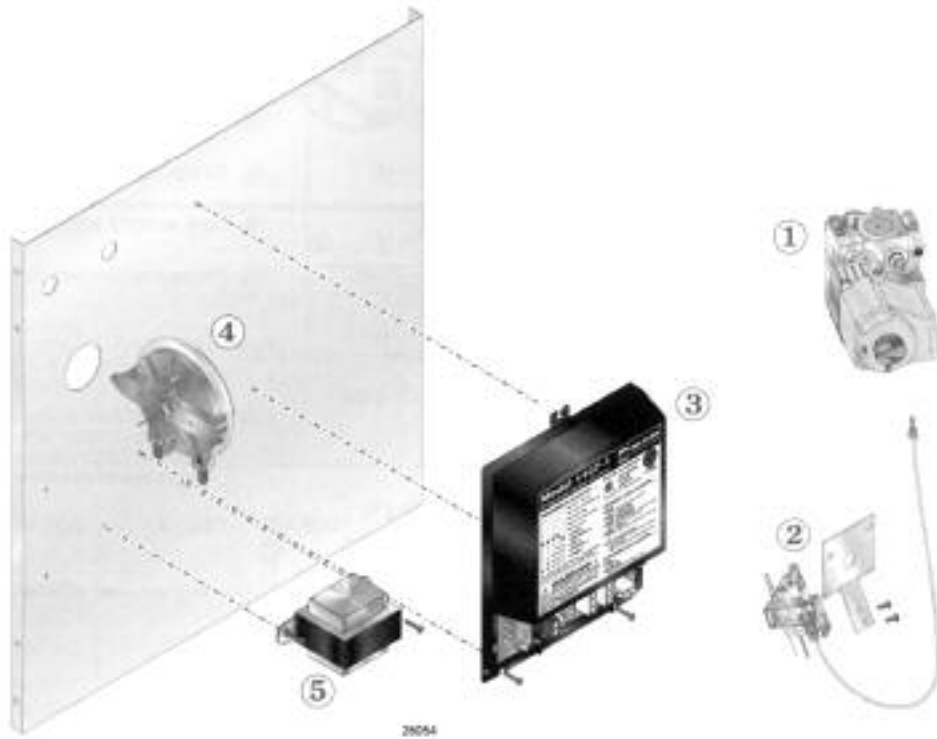


Fig. No.	Part No.	Description	Mfr.	Mfr.'s Part No.	Boiler Size	Notes
NATURAL GAS COMPONENTS						
1	381-356-532	Gas Valve, 1/2" x 1/2" with hose barb(Replacement kit)	Honeywell	VR8204A-2001	All	
2	511-330-080	Pilot Assembly Kit with Orifice and Aluminum Pilot Gas Tubing	PSE	PSE-NA231	All	
PROPANE GAS COMPONENTS						
1	381-356-533	Gas Valve, 1/2" x 1/2" with hose barb(Replacement kit)	Honeywell	VR8204M-2719	All	
2	511-330-081	Pilot Assembly Kit with Orifice and Aluminum Pilot Gas Tubing	PSE	PSE-LP231	All	
NATURAL GAS AND PROPANE GAS COMPONENTS						
3	511-330-090	Control Module with 10 second pre-purge	United Technologies	1107-1	All	
NS	591-391-894	Wiring Harness	Weil-McLain		All	
4	511-624-401	Air Pressure Switch 0' to 1999', 1.79" W.C.	Tri-Delta	PPS10171-3013	3	
	511-624-402	Air Pressure Switch 0' to 1999', 1.48" W.C.	Tri-Delta	PPS10171-3014	4	
	511-624-403	Air Pressure Switch 0' to 1999', 1.22" W.C.	Tri-Delta	PPS10171-3015	5	
	511-624-404	Air Pressure Switch 0' to 1999', .95" W.C.	Tri-Delta	PPS10171-3016	6	
5	511-842-370	Control Transformer, 24 V. Sec. 40 VA	Honeywell		All	
	511-842-370	Control Transformer, 24V. Sec. 40 VA	Basler Elec.	BE111640 GDD		
NS	590-317-650	Tubing, Air Pressure Switch, 1/8" I.D. x 15" Silicone, Red to Collector Hood	Weil-McLain		All	
NS	590-317-651	Tubing, Air Pressure Switch, 1/8" I.D. x 17" Silicone, White to Transition	Weil-McLain		All	
NS	510-811-096	Natural to LP Conversion Kit CGs 3-6			All	
NS	510-811-097	LP To Nat Conversion Kit CGs 3-6			All	

CGs Jackets

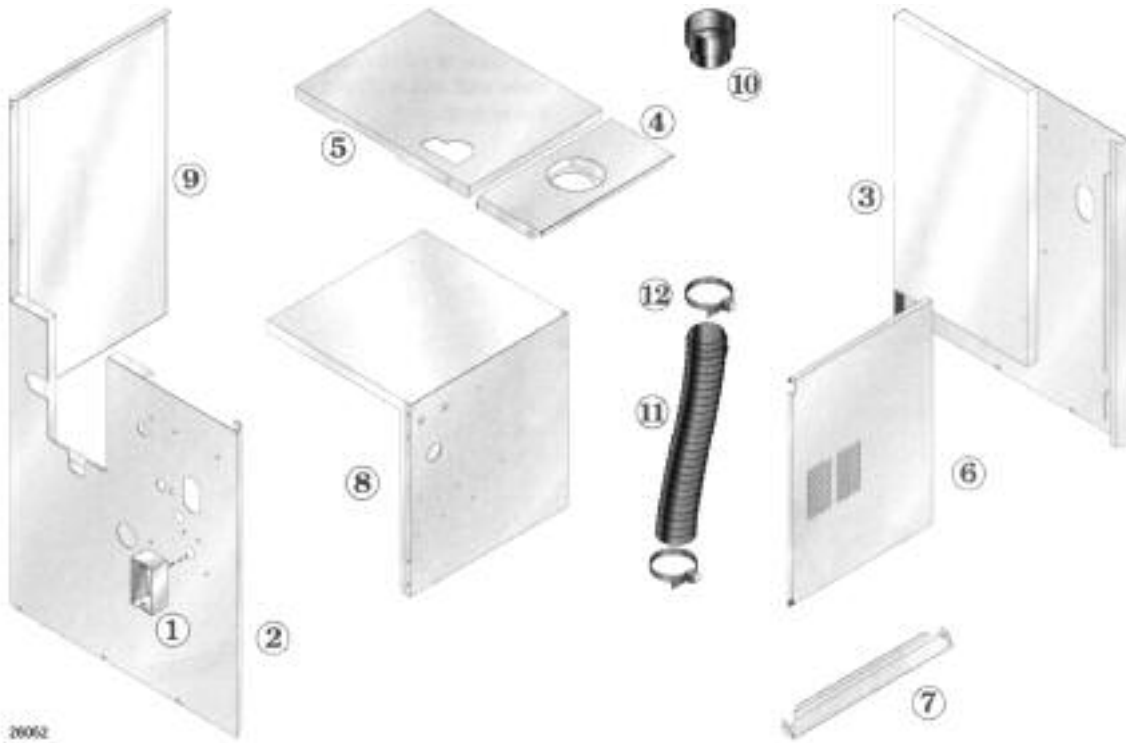


Fig #	Part No.	Description	Mfg.	Mfg's Part No.	Boiler Size	Notes
1	Avail. Locally	Junction Box, 2 x 4	Weil-McLain		All	
2	431-223-288	Jacket Panel, Left Side, With Insulation	Weil-McLain		All	
3	431-223-311	Jacket Panel, Right Side	Weil-McLain		All	
4	431-223-345	Jacket Panel, Top Front	Weil-McLain		3	
	431-223-346	Jacket Panel, Top Front	Weil-McLain		4	
	431-223-347	Jacket Panel, Top Front	Weil-McLain		5	
	431-223-348	Jacket Panel, Top Front	Weil-McLain		6	
5	431-223-360	Jacket Panel, Top Rear	Weil-McLain		3	
	431-223-361	Jacket Panel, Top Rear	Weil-McLain		4	
	431-223-362	Jacket Panel, Top Rear	Weil-McLain		5	
6	431-223-363	Jacket Panel, Top Rear	Weil-McLain		6	
	431-223-332	Jacket Panel, Door - Comes Packaged with Rear Panel Only	Weil-McLain		3	
	431-223-333	Jacket Panel, Door - Comes Packaged with Rear Panel Only	Weil-McLain		4	
	431-223-334	Jacket Panel, Door - Comes Packaged with Rear Panel Only	Weil-McLain		5	
7	431-223-335	Jacket Panel, Door - Comes Packaged with Rear Panel Only	Weil-McLain		6	
	431-223-326	Jacket Cross Tie, Bottom Front	Weil-McLain		3	
	431-223-327	Jacket Cross Tie, Bottom Front	Weil-McLain		4	
	431-223-328	Jacket Cross Tie, Bottom Front	Weil-McLain		5	
8	431-223-329	Jacket Cross Tie, Bottom Front	Weil-McLain		6	
	431-223-291	Jacket Panel, Interior	Weil-McLain		3	
	431-223-292	Jacket Panel, Interior	Weil-McLain		4	
	431-223-293	Jacket Panel, Interior	Weil-McLain		5	
9	431-223-294	Jacket Panel, Interior	Weil-McLain		6	
	NA	Jacket Panel, Rear - comes with door panel	Weil-McLain		3	
	NA	Jacket Panel, Rear - comes with door panel	Weil-McLain		4	
	NA	Jacket Panel, Rear - comes with door panel	Weil-McLain		5	
10	NA	Jacket Panel, Rear - comes with door panel	Weil-McLain		6	
	560-907-635	Air Inlet Fitting	Weil-McLain		All	
11	562-302-573	Inlet Air Hose	Weil-McLain		All	
12	Avail. Locally	Hose Clamp, 3"	Weil-McLain		All	
NS	592-000-000	Gold touch up paint, spray can	Weil-McLain		All	

GAS

CGi Series 2 Section Assembly

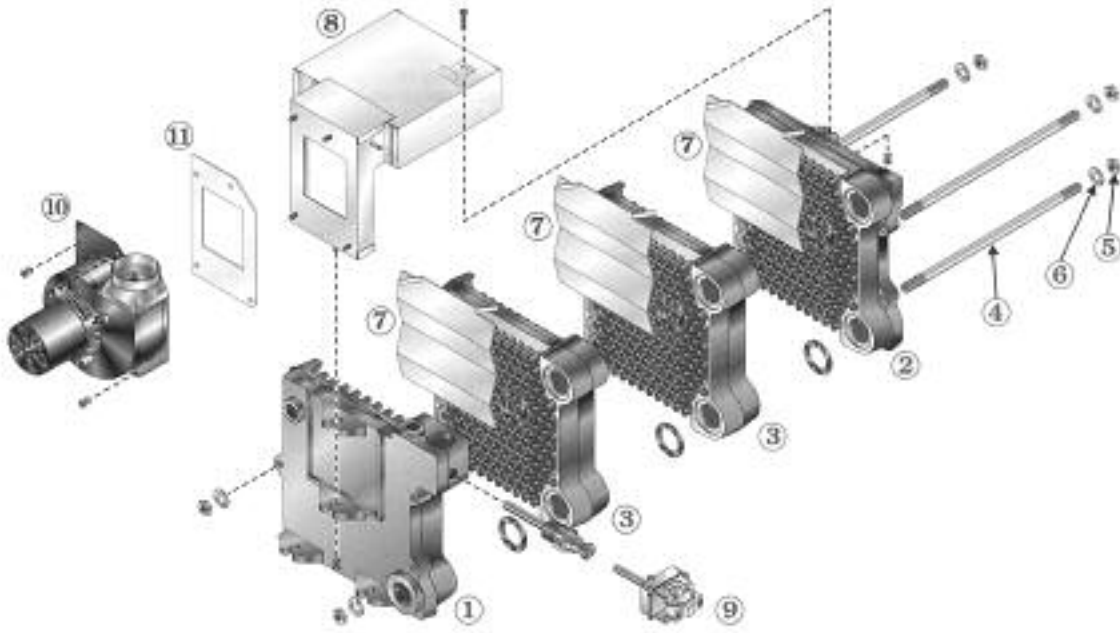
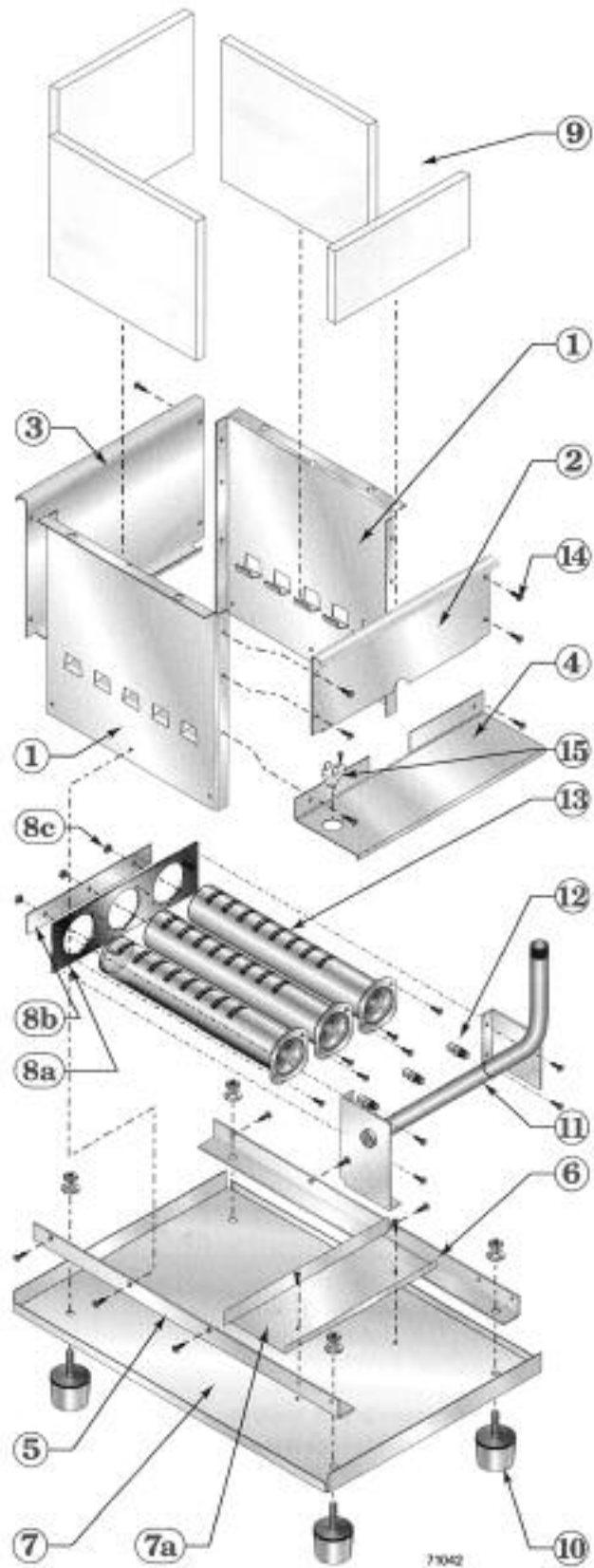


Fig. No.	Part No.	Description	Mfr.	Mfr.'s Part No.	Boiler Size	Notes
1	311-103-830	End Section, Left Hand, Cast # 51124	Weil-McLain		All	
2	311-103-821	End Section, Right Hand, Cast # 51128	Weil-McLain		All	
3	311-103-818	Intermediate Section, Cast # 51125	Weil-McLain		All	
NS	321-114-345	Replacement Section Assembly	Weil-McLain		25, 3	
	321-114-346	Replacement Section Assembly	Weil-McLain		4	
	321-114-347	Replacement Section Assembly	Weil-McLain		5	
	321-114-348	Replacement Section Assembly	Weil-McLain		6	
	321-114-349	Replacement Section Assembly	Weil-McLain		7	
	321-114-350	Replacement Section Assembly	Weil-McLain		8	
NS	381-354-527	Section Replacement Kit, Includes Seals and Sealant for 1 Joint	Weil-McLain		All	
4	560-234-500	Tie rod, 7/16" x 9" without nut (3 required per boiler)	Weil-McLain		25, 3	
	560-234-501	Tie rod, 7/16" x 12" without nut (3 required per boiler)	Weil-McLain		4	
	560-234-502	Tie rod, 7/16" x 15" without nut (3 required per boiler)	Weil-McLain		5	
	560-234-503	Tie rod, 7/16" x 18" without nut (3 required per boiler)	Weil-McLain		6	
	560-234-504	Tie rod, 7/16" x 21" without nut (3 required per boiler)	Weil-McLain		7	
	560-234-505	Tie rod, 7/16" x 24" without nut (3 required per boiler)	Weil-McLain		8	
5	561-928-235	Nut, 7/16" (2 per tie rod)	Weil-McLain		All	
6	562-248-684	Washer, Lock 7/16" (1 per tie rod)	Weil-McLain		All	
7	460-003-700	Radiation Plate (1 per joint)	Weil-McLain		All	
8	450-000-010	Collector Hood and Transition Assembly	Weil-McLain		25	
	450-000-011	Collector Hood and Transition Assembly	Weil-McLain		3	
	450-000-012	Collector Hood and Transition Assembly	Weil-McLain		4	
	450-000-013	Collector Hood and Transition Assembly	Weil-McLain		5	
	450-000-014	Collector Hood and Transition Assembly	Weil-McLain		6	
	450-000-015	Collector Hood and Transition Assembly	Weil-McLain		7	
450-000-016	Collector Hood and Transition Assembly	Weil-McLain		8		
9	510-312-250	High Limit, 30° Differential With Well	Honeywell	L4080D-1036	All	
		High Limit, 30° Differential With Well	White-Rodgers	11B81-3		
10	381-356-499	Inducer Fan Assembly Kit, Includes Inducer Fan Assembly, Gasket and Nuts	Fasco	7062-5326	All	
				7021-10410		
11	590-317-627	Gasket, Inducer	Weil-McLain		All	

CGi Series 2 Base Assembly



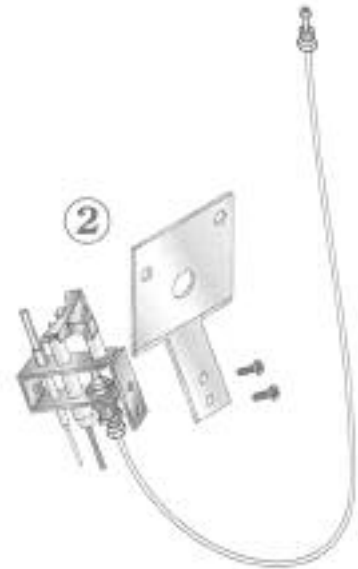
GAS

CGi Series 2 Base Assembly

Fig. No.	Part No.	Description	Mfr.	Mfr.'s Part No.	Boiler Size	Notes
	381-354-337	Base Assembly Kit (Includes items 1, 2, 3, 4, 5, 6, 7 and 7 _a)	Weil-McLain		25, 3	
	381-354-338	Base Assembly Kit (Same as above)	Weil-McLain		4	
	381-354-339	Base Assembly Kit (Same as above)	Weil-McLain		5	
	381-354-340	Base Assembly Kit (Same as above)	Weil-McLain		6	
	381-354-341	Base Assembly Kit (Same as above)	Weil-McLain		7	
	381-354-342	Base Assembly Kit (Same as above)	Weil-McLain		8	
1		Base Side Panel (In Base Assembly Kit)	Weil-McLain		All	
2		Base Front Cross-tie Assembly (In Base Assembly Kit)	Weil-McLain		All	
3		Base Back Cross-Tie Assembly (In Base Assembly Kit)	Weil-McLain		All	
4		Burner shield (In Base Assembly Kit)	Weil-McLain		All	
5		Base Pan Angle, Left Side (In Base Assembly Kit)	Weil-McLain		All	
6		Base Pan angle, Right Side (In Base Assembly Kit)	Weil-McLain		All	
7		Base Pan (In Base Assembly Kit)	Weil-McLain		All	
7a		Base Pan Air Baffle (In Base Assembly Kit)	Weil-McLain		All	
8a	450-003-690	Burner Mounting Plate	Weil-McLain		25, 3	
	450-003-691	Burner Mounting Plate	Weil-McLain		4	
	450-003-692	Burner Mounting Plate	Weil-McLain		5	
	450-003-693	Burner Mounting Plate	Weil-McLain		6	
	450-003-795	Burner Mounting Plate	Weil-McLain		7	
	450-003-796	Burner Mounting Plate	Weil-McLain		8	
8b	550-320-160	Rear Spacing Strip	Weil-McLain		25, 3	
	550-320-161	Rear Spacing Strip	Weil-McLain		4	
	550-320-162	Rear Spacing Strip	Weil-McLain		5	
	550-320-163	Rear Spacing Strip	Weil-McLain		6	
	550-320-164	Rear Spacing Strip	Weil-McLain		7	
	550-320-165	Rear Spacing Strip	Weil-McLain		8	
8c		Nut, Hex 5 mm Zinc Plated (Purchase Locally)	Weil-McLain		All	
9	381-354-330	Base Insulation Kit	Weil-McLain		25, 3	
	381-354-331	Base Insulation Kit	Weil-McLain		4	
	381-354-332	Base Insulation Kit	Weil-McLain		5	
	381-354-333	Base Insulation Kit	Weil-McLain		6	
	381-354-334	Base Insulation Kit	Weil-McLain		7	
	381-354-335	Base Insulation Kit	Weil-McLain		8	
10	550-320-219	Boiler Leg Kit	Weil-McLain		All	
11	591-126-735	Manifold	Weil-McLain		25, 3	
	591-126-736	Manifold	Weil-McLain		4	
	591-126-737	Manifold	Weil-McLain		5	
	591-126-738	Manifold	Weil-McLain		6	
	591-126-739	Manifold	Weil-McLain		7	
12	560-529-090	Main Burner orifice Natural Gas 0 to 1999' – 2.30 mm drill	Weil-McLain		25	
	560-529-084	Main Burner Orifice – LP Gas – 0 to 1999' - #54 drill				
12	560-529-077	Main Burner Orifice – Natural Gas – 0 to 1999' – 2.70 mm drill	Weil-McLain		3, 4, 5, 6, 7, 8	
	560-529-078	Main Burner Orifice – LP Gas – 0 to 1999' – 1.65 mm drill	Weil-McLain			
13	512-200-076	Burner	Weil-McLain		All	
14		Screw, 10-32 x .38 STP Type 23 hex, washer Head Slot (May be purchased locally)			All	
15	512-050-230	Rollout Thermal Fuse Element (229 ⁰ C)	Elmwood Sensors	RD226-001	All	
			Microtemp	G4AM06 00229C		

Number of burners CGi-25 - 2 burners, CGi-3 - 2 burners, CGi-4 - 3 burners, CGi-5 - 4 burners, CGi-6 - 5 burners, CGi-7 - 6 burners, CGi-8 - 7 burners

CGi Series 2 Gas Controls



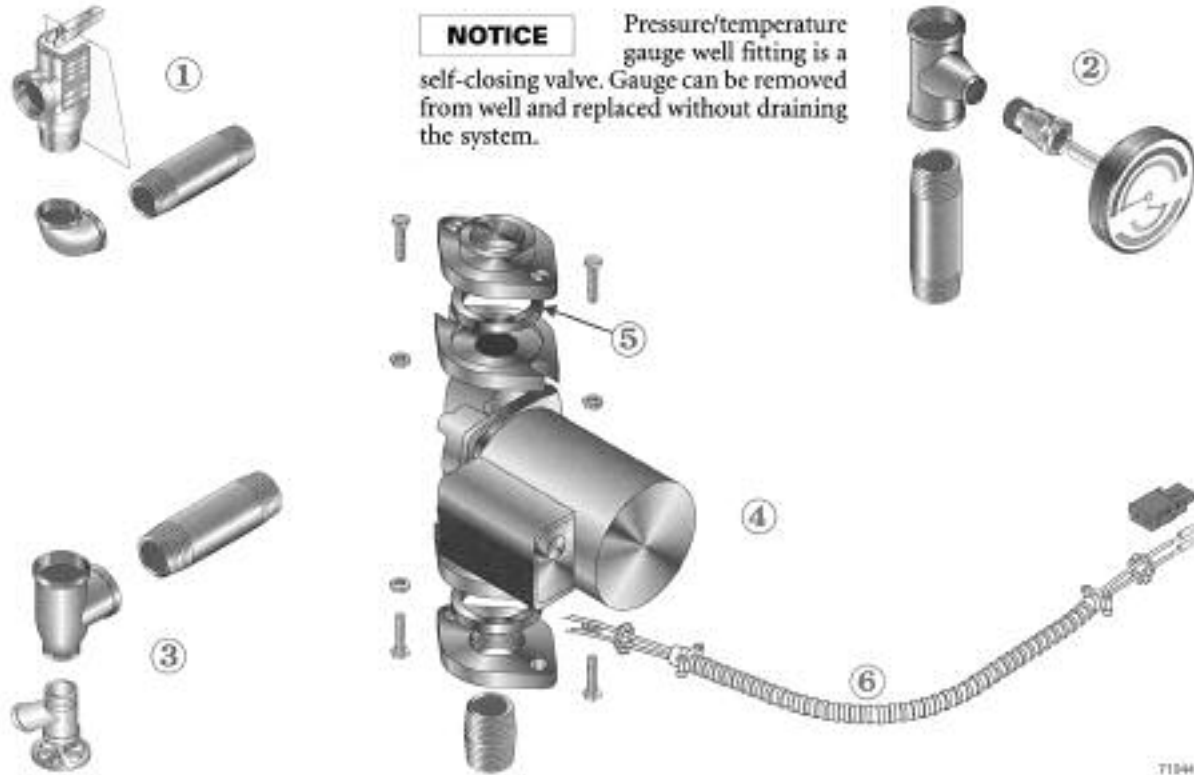
71045

GAS

CGi Series 2 Gas Controls

Fig. No.	Part No.	Description	Mfr.	Mfr.'s Part No.	Boiler Size	Notes
NATURAL GAS COMPONENTS						
1	511-044-381	Gas Valve, 1/2" x 1/2", Natural Gas	Honeywell	VR8204A-2001	25, 3, 4, 5, 6	
			White-Rodgers	36E36-266		
	511-044-353	Gas Valve, 3/4" x 3/4", Natural Gas	Honeywell	VR8304M-4002	7, 8	
			White-Rodgers	36C68-478		
2	511-330-080	Pilot Burner Assembly Kit W/Orifice & Aluminum Pilot Gas Tubing, Natural Gas	PSE	PSE-NA231	All	
PROPANE GAS COMPONENTS						
1	511-044-354	Gas Valve, 1/2" x 1/2", Propane Gas	Honeywell	VR8204M-2701	25, 3, 4, 5, 6	
	511-044-355	Gas Valve, 3/4" x 3/4", Propane Gas	Honeywell	VR8304M-4010	7, 8	
2	511-330-081	Pilot Burner Assembly Kit W/Orifice & Aluminum Pilot Gas Tubing, Propane Gas	PSE	PSE-LP231	All	
NATURAL GAS AND PROPANE GAS COMPONENTS						
2a	450-003-689	Pilot Bracket	Weil-McLain		All	
NS	N/A	Maching Screw, Pan Head Phillips, 10-32 x .19" Zinc Plated (2 each for pilot bracket) (Purchase Locally)			All	
3	511-330-090	Control Module with 10 second pre-purge	United Technologies	1107-1	All	
NS	591-391-894	Wire Harness, Controls to Control Module	Weil-McLain		All	
NS	591-391-900	Wire harness, J-Box to Control Module	Weil-McLain		All	
4	511-624-401	Air Pressure Switch, 1.79" W.C.	Tri-Delta	PPS10171-3013	25, 3	
	511-624-302	Air Pressure Switch, 1.40" W.C.	Tri-Delta	PPS10171-3094	4	
	511-624-303	Air Pressure Switch, 1.22" W.C.	Tri-Delta	PPS10171-3095	5	
	511-624-304	Air Pressure Switch, 0.80" W.C.	Tri-Delta	PPS10171-3096	6, 8	
	511-624-405	Air Pressure Switch, 0.75" W.C.	Tri-Delta	PPS10171-3031	7	
5	511-842-370	Control Transformer, 24 V. Secondary, 40 VA	Honeywell	AT140B-1297	All	
			Basler Electric	BE111640 GDD		
NS	590-317-650	Tubing, Air Pressure Switch, 1/8" I.D. x 17" Silicone, Red to Collector Hood	Manufacturer Rubber Supply		All	
	590-317-651	Tubing, Air Pressure Switch, 1/8" I.D. x 19" Silicone, White To Transition	Manufacturer Rubber Supply		All	
NS	510-811-830	Natural to Propane Conversion Kit CGi 25				
NS	510-811-831	Natural to Propane Conversion Kit CGi 3-6				
NS	510-811-832	Natural to Propane Conversion Kit CGi 7-8				
NS	510-811-833	Propane to Natural Conversion Kit CGi 25				
NS	510-811-834	Propane to Natural Conversion Kit CGi 3-6				
NS	510-811-835	Propane to Natural Conversion Kit CGi 7-8				

CGi Series 2 Water Trim



71344

Fig. No.	Part No.	Description	Mfr.	Mfr.'s Part No.	Boiler Size	Notes
1	511-546-920	Pressure Relief Valve, ASME, 30 PSIG, 3/4" Male Inlet*	Conbraco	10-407-10	All	
			Watts	M330		
	511-546-924	Pressure Relief Valve, ASME, 30 PSIG, 3/4" Female Inlet*	Conbraco	10-408-5	All	
			Watts	335		
2	510-218-047	Combination Pressure-Temperature Gauge, 3 1/2" with shut off with well	Honeywell	TDV-040	All	
3	511-210-423	Drain Valve, 3/4"*	Conbraco	31-606-01	All	
		Drain Valve, 3/4"*	Hammond	710		
	511-246-392	Drain Valve, 3/4"*	Watts	BD-2C		
		Drain Valve, 3/4"*	Nibco	74		
4	511-405-118	Circulator*	Bell & Gossett	NRF-22	All	
	511-405-126	Circulator*	Grundfos	UP15-42FR-TB4	All	
	511-405-113	Circulator*	Taco	007	All	
5	590-317-535	Circulator Gasket, Universal (2 per boiler)	Weil-McLain		All	
NS	381-354-530	Circulator Hardware Kit, Includes – 1 Flange, 1 gasket, 2 Nuts, 2 Screws – 3/4" NPT	Weil-McLain		25	
	381-354-525	Circulator Hardware Kit, Includes – 1 Flange, 1 gasket, 2 Nuts, 2 Screws – 1" NPT	Weil-McLain		3, 4, 5	
	381-354-526	Circulator Hardware Kit, Includes – 1 Flange, 1 gasket, 2 Nuts, 2 Screws – 1 1/4" NPT	Weil-McLain		6, 7	
	381-354-531	Circulator Hardware Kit, Includes – 1 Flange, 1 gasket, 2 Nuts, 2 Screws – 1 1/2" NPT	Weil-McLain		8	
6	381-356-528	Circulator Wiring Harness Kit, with Molex (Loose)	Weil-McLain		All	

* Pipe Fittings Available Locally

CGi Series 2 Jackets

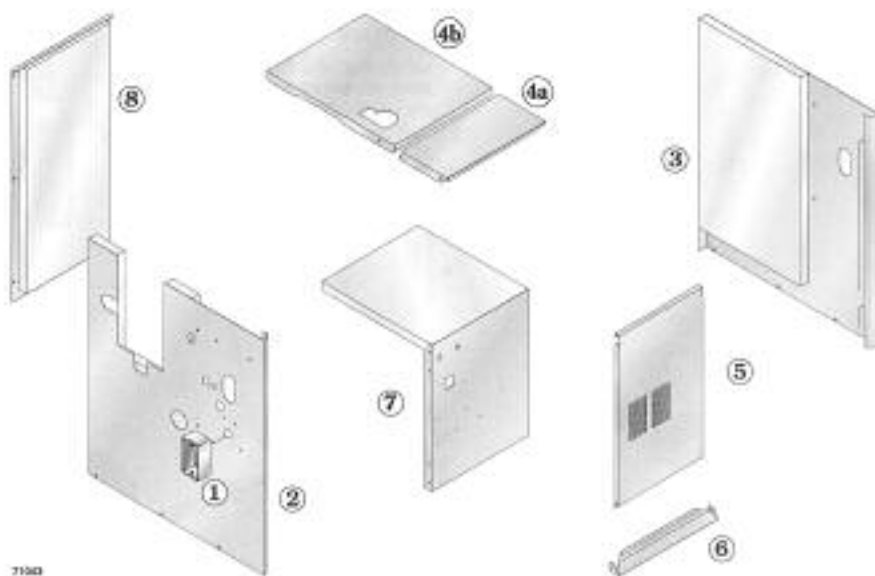
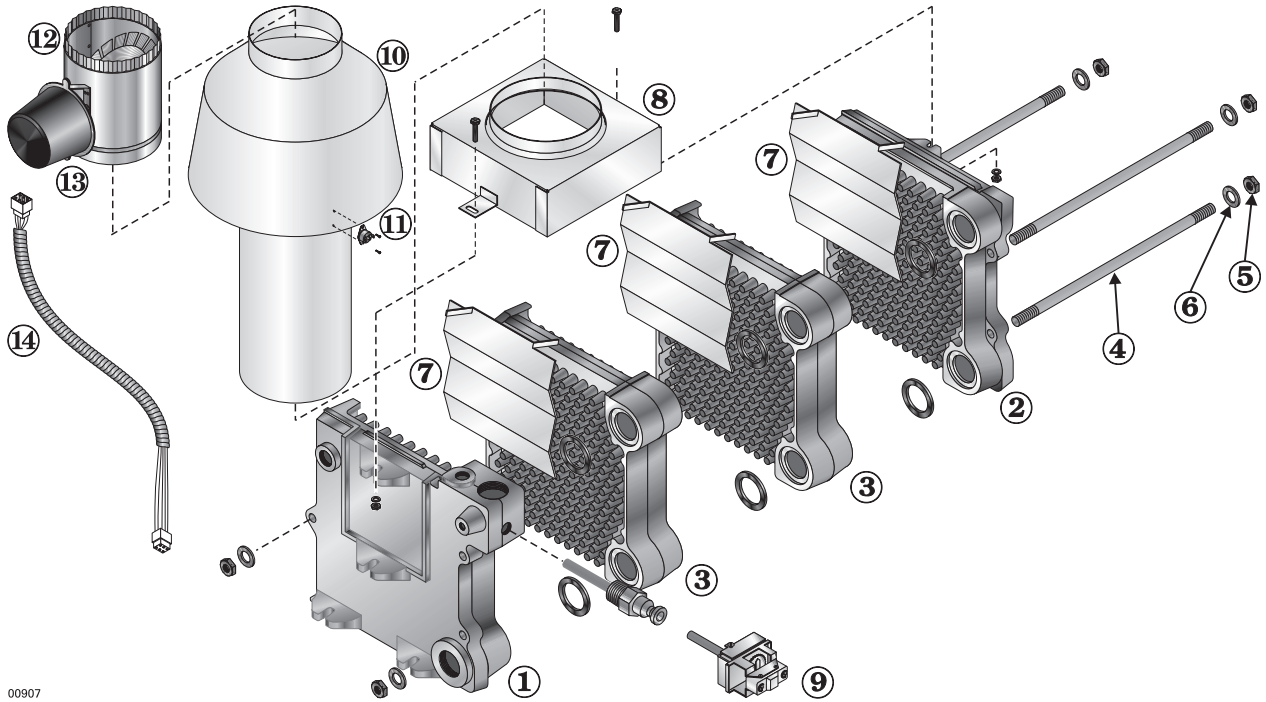


Fig. No.	Part No.	Description	Mfr.	Mfr.'s Part No.	Boiler Size	Notes
1	N/A	Junction Box, 2 x 4 x 1.5 (May be purchased locally)			All	
2	431-223-288	Jacket Panel, Left Side, With Insulation	Weil-McLain		All	
3	431-223-311	Jacket Panel, Right Side, With Insulation	Weil-McLain		All	
4a	431-223-338	Jacket Panel, Top Front	Weil-McLain		25, 3	
	431-223-339	Jacket Panel, Top Front	Weil-McLain		4	
	431-223-340	Jacket Panel, Top Front	Weil-McLain		5	
	431-223-341	Jacket Panel, Top Front	Weil-McLain		6	
	431-223-342	Jacket Panel, Top Front	Weil-McLain		7	
	431-223-343	Jacket Panel, Top Front	Weil-McLain		8	
4b	431-223-359	Jacket Panel, Top Rear	Weil-McLain		25, 3	
	431-223-360	Jacket Panel, Top Rear	Weil-McLain		4	
	431-223-361	Jacket Panel, Top Rear	Weil-McLain		5	
	431-223-362	Jacket Panel, Top Rear	Weil-McLain		6	
	431-223-363	Jacket Panel, Top Rear	Weil-McLain		7	
5	431-223-364	Jacket Panel, Top Rear	Weil-McLain		8	
	431-223-368	Jacket Panel, Door and Rear Panel	Weil-McLain		25, 3	
	431-223-332	Jacket Panel, Door and Rear Panel	Weil-McLain		4	
	431-223-333	Jacket Panel, Door and Rear Panel	Weil-McLain		5	
	431-223-334	Jacket Panel, Door and Rear Panel	Weil-McLain		6	
	431-223-335	Jacket Panel, Door and Rear Panel	Weil-McLain		7	
6	431-223-373	Jacket Panel, Door and Rear Panel	Weil-McLain		8	
	431-223-325	Jacket Cross Tie, Bottom Front	Weil-McLain		25, 3	
	431-223-326	Jacket Cross Tie, Bottom Front	Weil-McLain		4	
	431-223-327	Jacket Cross Tie, Bottom Front	Weil-McLain		5	
6	431-223-328	Jacket Cross Tie, Bottom Front	Weil-McLain		6	
	431-223-329	Jacket Cross Tie, Bottom Front	Weil-McLain		7	
7	431-223-330	Jacket Cross Tie, Bottom Front	Weil-McLain		8	
	431-223-290	Jacket Panel, Interior, With Insulation	Weil-McLain		25, 3	
	431-223-291	Jacket Panel, Interior, With Insulation	Weil-McLain		4	
	431-223-292	Jacket Panel, Interior, With Insulation	Weil-McLain		5	
	431-223-293	Jacket Panel, Interior, With Insulation	Weil-McLain		6	
	431-223-294	Jacket Panel, Interior, With Insulation	Weil-McLain		7	
8	431-223-295	Jacket Panel, Interior, With Insulation	Weil-McLain		8	
		Jacket Panel, Rear, With Insulation (See item 5)	Weil-McLain		25, 3	
		Jacket Panel, Rear, With Insulation (See item 5)	Weil-McLain		4	
		Jacket Panel, Rear, With Insulation (See item 5)	Weil-McLain		5	
		Jacket Panel, Rear, With Insulation (See item 5)	Weil-McLain		6	
		Jacket Panel, Rear, With Insulation (See item 5)	Weil-McLain		7	
NS	592-000-000	Gold touch up paint, spray can	Weil-McLain		All	

CGa Section Assembly



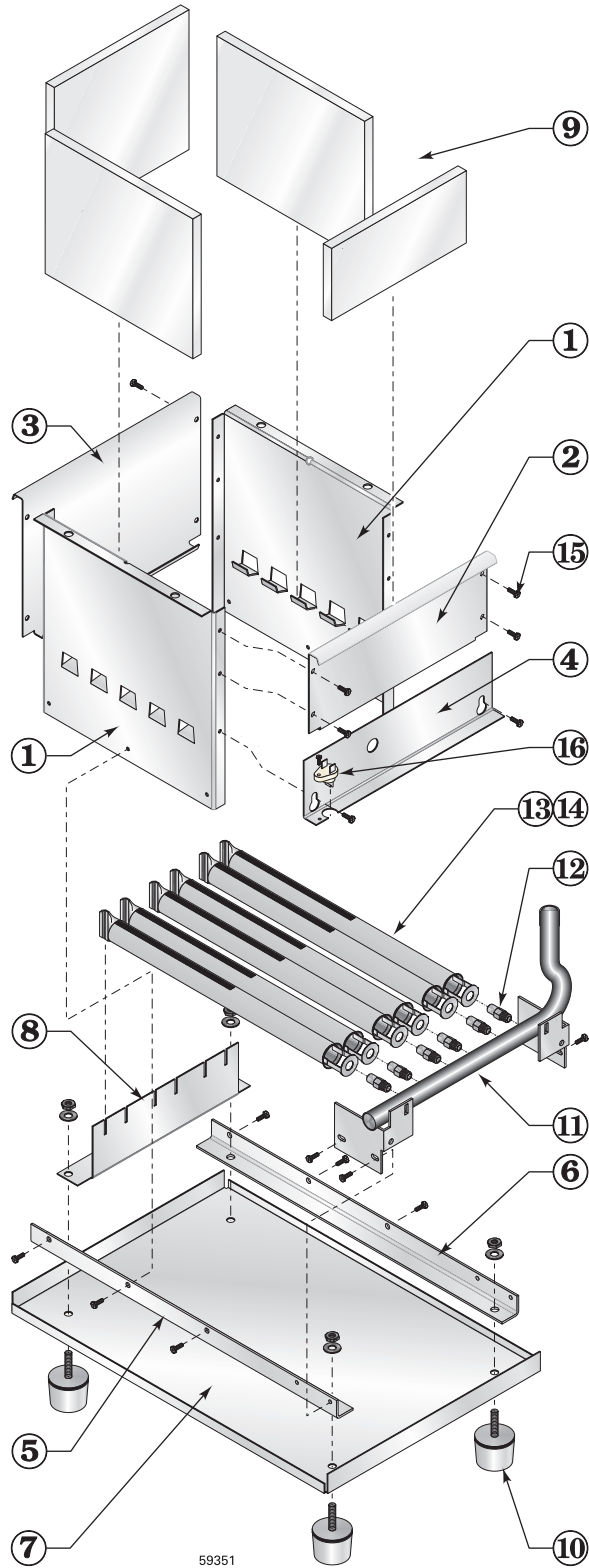
00907

GAS

CGa Section Assembly

Fig. No.	Part No.	Description	Mfg.	Mfg.'s Part No.	Boiler Size	Notes
1	311-103-830	End Section, Left Hand, 51124	Weil-McLain		All	
2	311-103-821	End Section, Right Hand, 51128	Weil-McLain		All	
3	311-103-818	Intermediate Section, 51125	Weil-McLain		All	
Not Shown	321-114-345	Replacement Section Assembly	Weil-McLain		25 & 3	
	321-114-346				4	
	321-114-347				5	
	321-114-348				6	
	321-114-349				7	
Not Shown	321-114-350			8		
Not Shown	381-354-527	Section Replacement Kit, Includes Seals and Silicone Sealant for 1 Joint	Weil-McLain		All	
4	560-234-500	Tie Rod, 7/16" x 9" without nut (3 per boiler)	Weil-McLain		25 & 3	
	560-234-501	Tie Rod, 7/16" x 12" without nut (3 per boiler)			4	
	560-234-502	Tie Rod, 7/16" x 16" without nut (3 per boiler)			5	
	560-234-503	Tie Rod, 7/16" x 18" without nut (3 per boiler)			6	
	560-234-504	Tie Rod, 7/16" x 21" without nut (3 per boiler)			7	
	560-234-505	Tie Rod, 7/16" x 24" without nut (3 per boiler)			8	
5	561-928-235	Nut, 7/16" (2 per tie rod)	Weil-McLain		All	
6	562-248-684	Washer, 7/16" (1 per tie rod)	Weil-McLain		All	
7	460-003-700	Radiation Plate (1 per joint)	Weil-McLain		All	
8	381-354-625	Collector Hood	Weil-McLain		25	
	381-354-626				3	
	381-354-627				4	
	381-354-628				5	
	381-354-629				6	
	381-354-630				7	
	381-354-631				8	
9	510-312-250	High Limit, 140 to 220° F. with 30° differential and 1/2" N.P.T. Well	Honeywell	L4080D1036	All	
			White-Rodgers	11B81-3		
10	450-021-240	Draft Hood	Weil-McLain		25	
	450-021-241				3	
	450-021-242				4	
	450-021-243				5	
	450-021-244				6	
	450-021-245				7	
	450-021-246				8	
11	510-300-013	Spill Switch 210°, Manual Reset	Elmwood Sensors	2455RM-8174-0201	25	
	510-300-014	Spill Switch 240°, Manual Reset	Elmwood Sensors	2455RM-8050-0181	3 & 8	
12	381-800-474	Vent Damper 4"	Effikal	RVGP-KS-4BKF	25 & 3	
			Johnson Controls	Q35GB-2		
	381-800-475	Vent Damper 5"	Effikal	RVGP-KS-5BKF	4	
			Johnson Controls	Q35GD-2		
	381-800-476	Vent Damper 6"	Effikal	RVGP-KS-6BKF	5 & 6	
			Johnson Controls	Q35GF-2		
	381-800-477	Vent Damper 7"	Effikal	RVGP-KS-7BKF	7 & 8	
			Johnson Controls	Q35GH-2		
13	510-512-337	Vent Damper Actuator	Effikal	RVGP	All	
13	510-312-255	Vent Damper Actuator	Johnson Controls	M35BE-1C	All	
14	591-391-795	Vent Damper Harness	Weil-McLain		All	

CGa Base Assembly



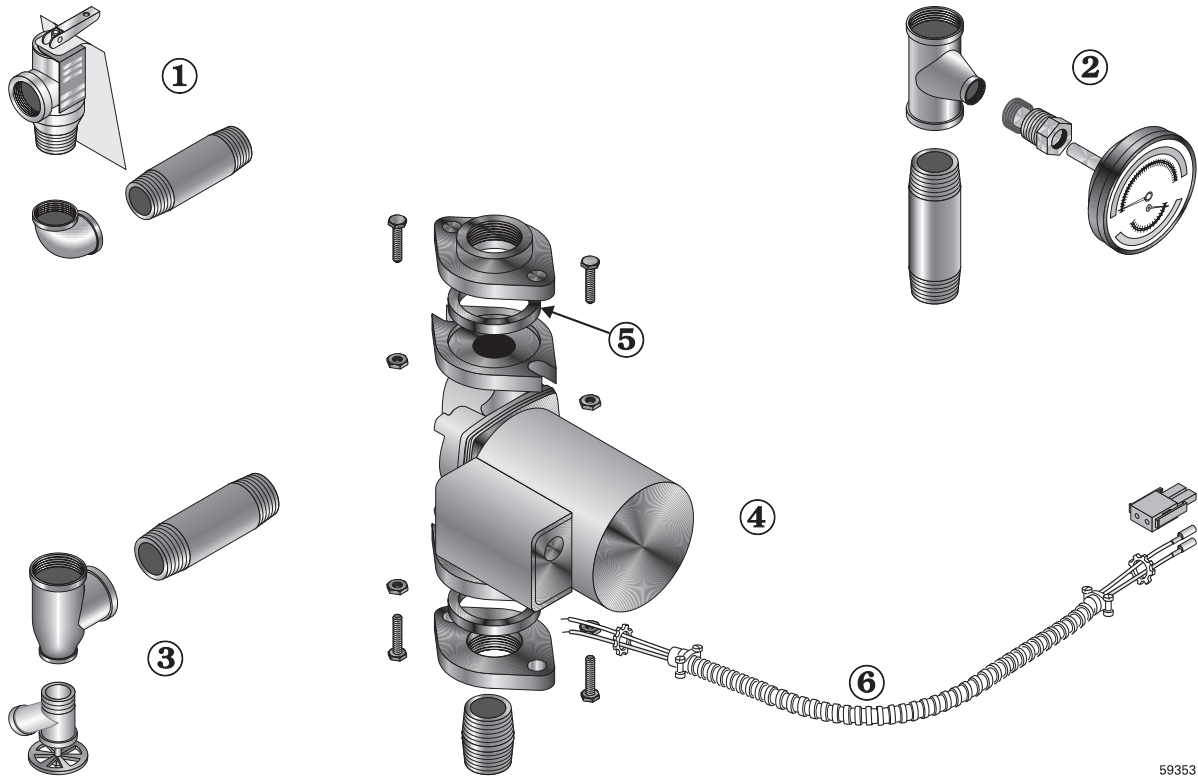
GAS

CGa Base Assembly

Fig. No.	Part No.	Description	Mfg.	Mfg.'s Part No.	Boiler Size	Notes
1	460-003-710	Base Side Panel (2 required)	Weil-McLain		All	
2	460-003-777	Base Front Cross-tie	Weil-McLain		25-3	
	460-003-778				4	
	460-003-779				5	
	460-003-780				6	
	460-003-781				7	
3	460-003-701	Base Back Cross-tie	Weil-McLain		25-3	
	460-003-702				4	
	460-003-703				5	
	460-003-704				6	
	460-003-705				7	
4	460-003-741	Access Panel	Weil-McLain		25-3	
	460-003-742				4	
	460-003-743				5	
	460-003-744				6	
	460-003-745				7	
5	450-030-475	Base Pan Side Angle, Left Side	Weil-McLain		All	
6	450-030-474	Base Pan Side Angle, Right Side	Weil-McLain		All	
7	450-003-730	Base Pan	Weil-McLain		25-3	
	450-003-731				4	
	450-003-732				5	
	450-003-733				6	
	450-003-734				7	
8	450-003-735	Burner Rest	Weil-McLain		8	
	450-003-742				25	
	450-003-736				3	
	450-003-737				4	
	450-003-738				5	
9	381-354-518	Base Insulation Kit	Weil-McLain		25 – 5	
	381-354-519				6 – 8	
10	590-424-252	Boiler Leg (3"), 1 leg, 4 required	Weil-McLain		All	
11	591-126-615	Burner Manifold	Weil-McLain		25	
	591-126-616				3	
	591-126-617				4	
	591-126-618				5	
	591-126-619				6	
	591-126-556				7	
12	560-528-997	Main Burner Orifice – Natural Gas 2.0 mm	Weil-McLain		All	
	560-528-998	Main Burner Orifice – Propane Gas 1.3 mm	Weil-McLain		All	
13	512-200-077	Main Burner Stainless Steel	Weil-McLain		All	
14	512-200-079	Main Burner, SS, with Pilot Bracket (Standing Pilot) (Available with Pilot Burner Kit)	Weil-McLain		All	
	512-200-078	Main Burner with Pilot Bracket (Spark Ignition Pilot) (Available with Pilot Burner Kit)	Weil-McLain		All	
15	Avail. Locally	Screw, 10-32 x 3/8 STP Type D hex, washer head slotted, zinc plated (Available Locally)				
16	512-050-230	Rollout Thermal Fuse Element, 228° C	Thermodisc Inc.	G4M060412 1C	All	

Numbers of burners: CGa-25-2 main burners & 1 burner w/pilot bracket, CGa-3-3 main burners & 1 burner w/pilot bracket, CGa-4-5 main burners & 1 burner w/pilot bracket, CGa-5-7 main burners & 1 burner w/pilot bracket, CGa-6-9 main burners & 1 burner w/pilot bracket, CGa-7-11 main burners & 1 burner w/pilot bracket, CGa-8-13 main burners & 1 burner w/pilot bracket.

CGa Water Trim



59353

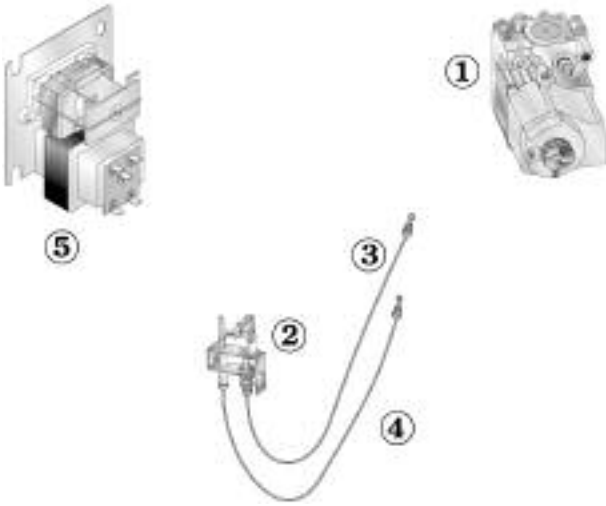
GAS

CGa Water Trim

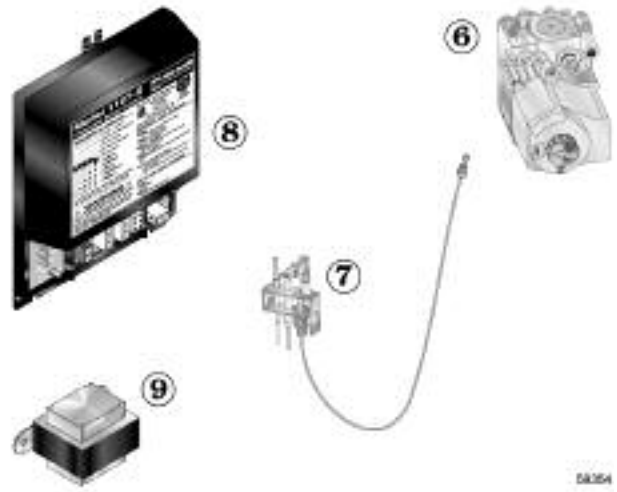
Fig. No.	Part No.	Description	Mfg.	Mfg.'s Part No.	Boiler Size	Notes
1	511-546-920	Pressure Relief Valve, ASME, 30 PSIG, 3/4" Male Inlet (Fittings shown are factory installed on boiler)	Conbraco	10-407-10	All	
			Watts	M330		
1	511-546-924	Pressure Relief Valve, ASME, 30 PSIG, 3/4" Female Inlet (Fittings shown are factory installed on boiler)	Conbraco	10-408-05	All	
			Watts	335		
			ENFM-USA	4104-2-1/2"-1/4		
2	510-218-047	Combination Pressure-Temperature Gauge, 2 1/2" short Shank, Self-Closing Valve	Honeywell	TDV-040	All	
3	511-210-423	Drain Valve, 3/4"(Fittings shown are factory installed on boiler)	Conbraco	31-606-01-3/4"	All	
4	511-405-113	Circulator (Fittings shown are factory installed on boiler)	Taco	007	All	
4	511-405-118	Circulator (Fittings shown are factory installed on boiler)	Bell & Gossett	NRF-22-103250	All	
5	590-317-535	Circulator Gasket, universal (2 per boiler)	Weil-McLain		All	
NS	381-354-530	Circulator Hardware Kit, Includes: 1 flange, 2 nuts, 2 screws, 1 gasket 3/4" N.P.T.	Weil-McLain		25	
	381-354-525	Circulator Hardware Kit, Includes: 1 flange, 2 nuts, 2 screws, 1 gasket 1" N.P.T.	Weil-McLain		3, 4, 5	
	381-354-526	Circulator Hardware Kit, Includes: 1 flange, 2 nuts, 2 screws, 1 gasket 1 1/4" N.P.T.	Weil-McLain		6, 7	
	381-354-531	Circulator Hardware Kit, Includes: 1 flange, 2 nuts, 2 screws, 1 gasket 1 1/2" N.P.T.	Weil-McLain		8	
6	591-319-793	Circulator Wiring Harness, For Standing Pilot Ignition	Weil-McLain		All	
6	381-356-528	Circulator Wiring Harness, For Spark Ignition (with Molex Connector)	Weil-McLain		All	

CGa Control Parts

Standing pilot controls



Spark-ignited pilot controls



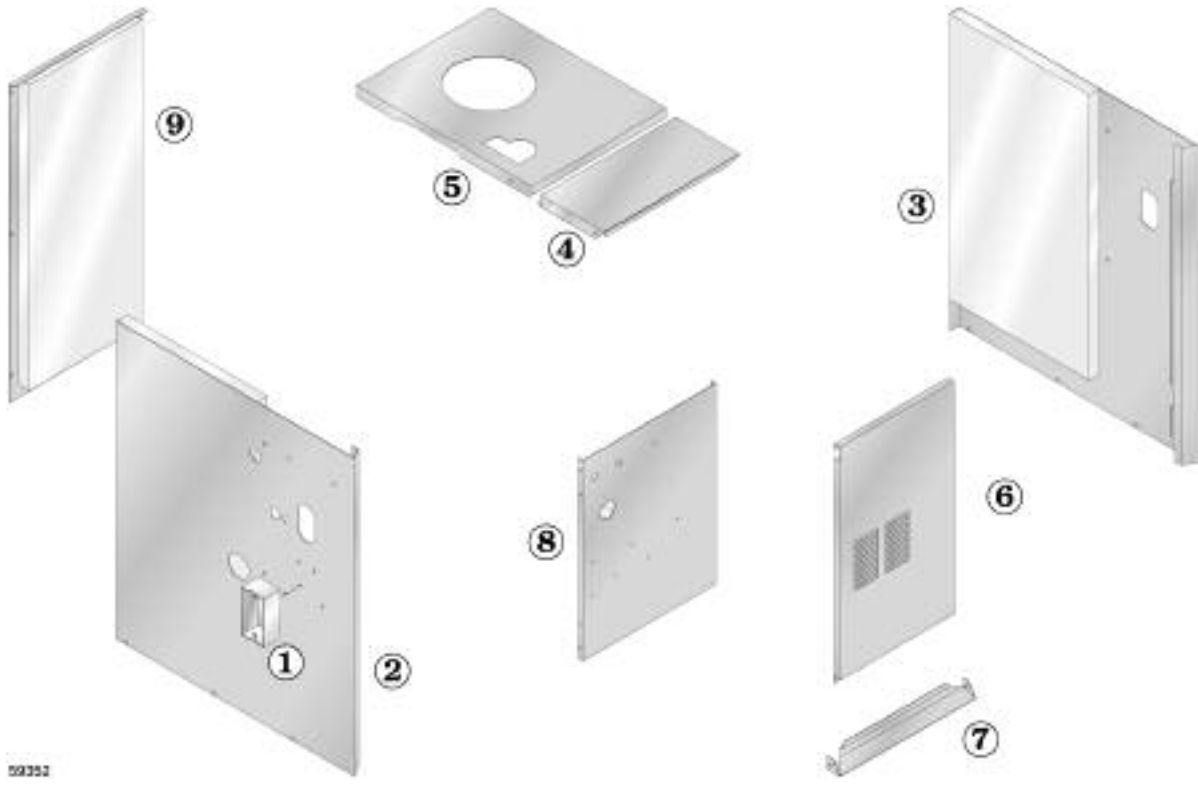
DA254

GAS

CGa Control Parts

Fig. No.	Part No.	Description	Mfg.	Mfg.'s Part No.	Boiler Size	Notes
STANDING PILOT – NATURAL GAS COMPONENTS						
1	511-044-360	Gas Valve, 1/2" x 1/2"	Honeywell	VR8200A-2116	25 – 6	
			Grayson	7A0-A1B-042		
1	511-044-256	Gas Valve, 3/4" x 3/4"	Honeywell	VR8300C-4050	7, 8	
2	510-811-644	Pilot Assembly Kit with Orifice	Weil-McLain		All	
3	560-742-860	Tubing, Pilot, Aluminum 1/8" x 22.75	Weil-McLain		All	
4	511-724-254	Thermocouple, 30"	Honeywell	Q309A-1988	All	
STANDING PILOT – PROPANE GAS COMPONENTS						
1	511-044-258	Gas Valve, 1/2" x 1/2"	Honeywell	VR8200C-1074	25 – 6	
1	511-044-257	Gas Valve, 3/4" x 3/4" 1.2" step	Honeywell	VR8300C-4100	7, 8	
2	510-811-646	Pilot Assembly Kit with Orifice	Weil-McLain		All	
3	560-742-860	Tubing, Pilot, Aluminum 1/8" x 22.75	Weil-McLain		All	
4	511-724-253	Thermocouple, 48"	Honeywell	Q309A-1988	All	
STANDING PILOT COMPONENTS FOR NATURAL GAS AND PROPANE GAS						
5	510-312-167	Transformer and Relay Assembly	Honeywell	R8285D-1000	All	
			White-Rodgers	631-9001		
NS	510-350-223	Relay Only – Standing Pilot	White-Rodgers	91-322000-11000	All	
NS	510-312-166	Transformer Only – Standing Pilot	Hamilton	599-9001	All	
NS	591-391-862	Standing Pilot Wiring Harness	Weil-McLain		All	
PILOT GAS COMPONENTS FOR NATURAL AND PROPANE – CGa 25 & CGa 3 ONLY						
NS	510-933-126	Pilot Gas Pressure Regulator, 4.0" W.C. Outlet	Maxitrol	RV12LT-11	25, 3	
			SCP Inc.	SC-50N		
		560-742-859	Tubing, Aluminum from Gas Valve to Regulator, 1/4" x 3" 90 degree	Weil-McLain		25, 3
	562-302-017	Adapter, Male 1/8" x 7/16"-24, from Regulator to Pilot Gas Line	Weil-McLain		25, 3	
SPARK IGNITION COMPONENTS FOR NATURAL GAS						
6	511-044-381	Gas Valve, 1/2" x 1/2"	Honeywell	VR8204A-2001	25 – 6	
			White-Rodgers	36E36-266		
			Grayson Control	7200IPER 7D1-D5B-029		
6	511-044-382	Gas Valve, 3/4" x 3/4"	Honeywell	VR8304P-4348	7, 8	
			White-Rodgers	36C74-474		
7	511-330-218	Pilot Assembly Kit with orifice and Aluminum Pilot Gas Tubing	Weil-McLain		All	
8	511-330-079	Ignition Control Module	United Technologies	1107-2	All	
9	511-842-370	Control Transformer, 24 V, 40 VA	Honeywell	AT140B-1297	All	
			Basler Electric	BE111640 GDD		
NS	591-391-900	Wire Harness, Power Supply	Weil-McLain		All	
NS	591-391-905	Wire Harness, Spark Ignition	Weil-McLain		All	
NS	510-811-363	Conversion Kit: Natural to Propane CGa 7-8 (Standing Pilot Only)	Weil-McLain			
NS	510-811-356	Conversion Kit: Propane to Natural CGa 25-6 (Standing Pilot Only)	Weil-McLain			
NS	510-811-357	Conversion Kit: Propane to Natural CGa 7-8 (Standing Pilot Only)	Weil-McLain			
NS	510-811-362	Conversion Kit: Natural to Propane CGa-25 - 6 (Standing Pilot Only)	Weil-McLain			

CGa Jacket Assembly



59352

GAS

CGa Jacket Assembly

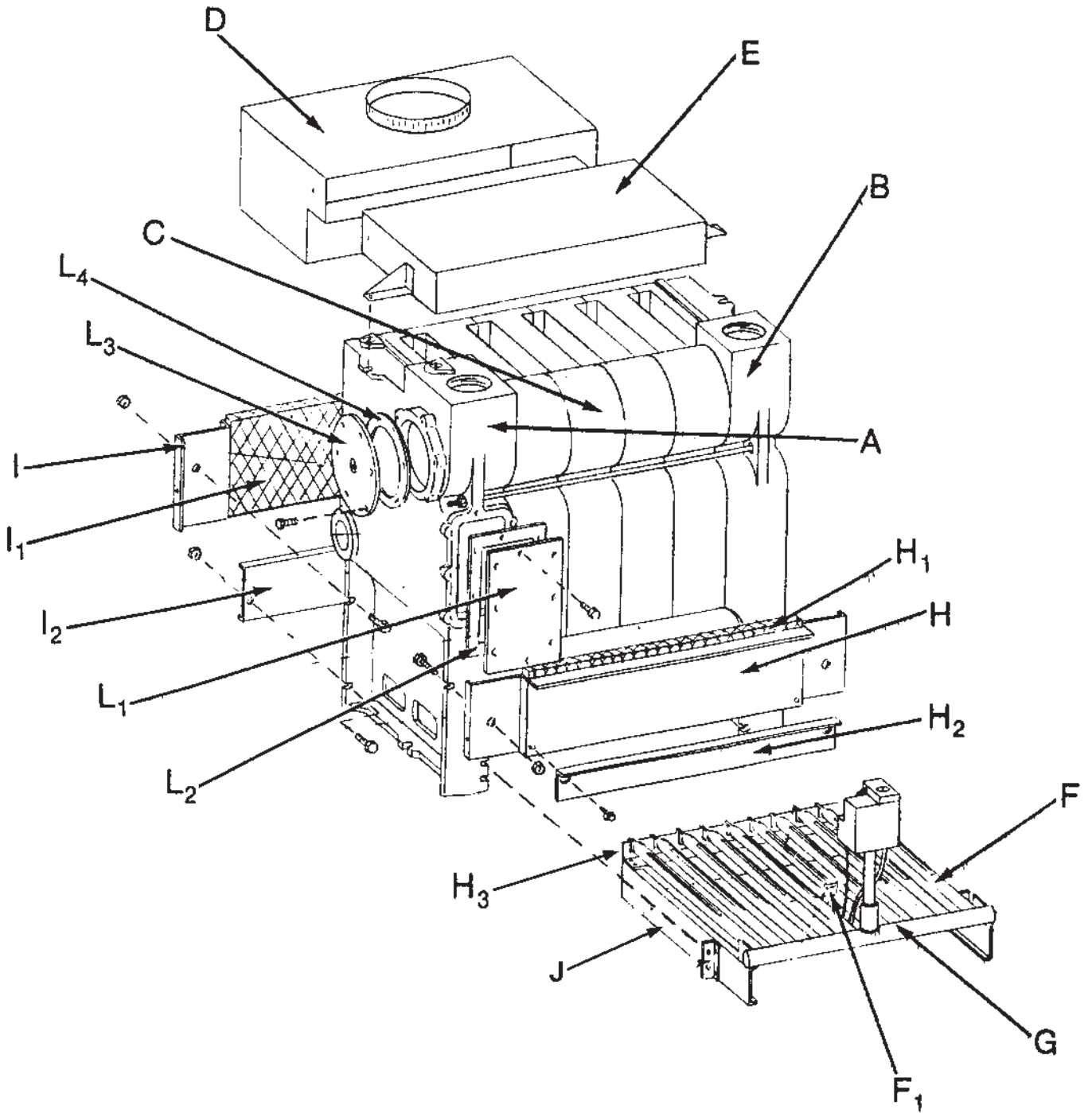
Fig. No.	Part No.	Description	Mfg.	Mfg.'s Part No.	Boiler Size	Notes
1	N/A	Junction Box, 2 x 4, (Available Locally)			All	
2	431-223-367	Jacket Panel, Left Side	Weil-McLain		All	
3	431-223-311	Jacket Panel, Right side	Weil-McLain		All	
4	431-223-338	Jacket Panel, Top Front	Weil-McLain		25 & 3	
	431-223-339				4	
	431-223-340				5	
	431-223-341				6	
	431-223-342				7	
	431-223-343				8	
5	421-300-012	Jacket Panel, Top Rear (Revise)	Weil-McLain		25 & 3	
	421-300-013				4	
	421-300-014				5	
	421-300-015				6	
	421-300-016				7	
	421-300-017				8	
6	431-223-368	Jacket Panel, Door and Rear Panel (Revise)	Weil-McLain		25 & 3	
	431-223-332				4	
	431-223-333				5	
	431-223-334				6	
	431-223-335				7	
	431-223-373				8	
7	431-223-325	Jacket Cross Tie, Bottom Front	Weil-McLain		25 & 3	
	431-223-326				4	
	431-223-327				5	
	431-223-328				6	
	431-223-329				7	
	431-223-330				8	
8	431-223-290	Jacket panel, Interior	Weil-McLain		25 & 3	
	431-223-291				4	
	431-223-292				5	
	431-223-293				6	
	431-223-294				7	
	431-223-295				8	
9		Jacket Panel, Rear (Included with Fig #6 above)	Weil-McLain			
NS	592-000-000	Gold touch up paint, spray can	Weil-McLain		All	

GAS

NOTES

GAS

EG Series 1 – 4
Section and Base Assembly



GAS

EG Series 1 – 4 Section and Base Assembly

Fig. No.	Part No.	Description	Casting No.	Boiler Series No.	Notes
	321-811-095	Section Assembly, Complete: EG, P-EG-30, 35 w/ Heater Opening	----	1,2,3,4	
	321-811-100	Section Assembly, Complete: EG, P-EG-35 w/o Heater Opening (Tankless Heater not available on EG-30)	----	1,2,3,4	
	321-811-110	Section Assembly, Complete: EG, P-EG-40, 45 w/ Heater Opening	----	1,2,3,4	
	321-811-115	Section Assembly, Complete: EG, P-EG-40, 45 w/o Heater Opening	----	1,2,3,4	
	321-811-120	Section Assembly, Complete: EG, P-EG-50, 55 w/ Heater Opening	----	1,2,3,4	
	321-811-125	Section Assembly, Complete: EG, P-EG-50, 55 w/o Heater Opening	----	1,2,3,4	
	321-811-130	Section Assembly, Complete: EG-65 w/ Heater Opening	----	1,2,3,4	
	321-811-135	Section Assembly, Complete: EG-65 w/o Heater Opening	----	1,2,3,4	
	321-811-140	Section Assembly, Complete: EG-75 w/ Heater Opening	----	1,2,3,4	
	321-811-145	Section Assembly, Complete: EG-75 w/o Heater Opening	----	1,2,3,4	
A	311-800-014	Left Hand End Section w/ Heater Opening	1814	1,2,3,4	
	311-800-007	Left Hand End Section w/o Heater Opening	1813	1,2,3,4	
B	311-800-029	Right Hand End Section w/o Heater Opening	18118	1,2,3,4	
C	311-800-010	Intermediate Section	1815	1,2,3,4	
	381-800-667	Section Replacement Kit; Includes 1 ea. 3" and 6" Elastomer Seal, 4 ft. Cope Seal; Order 1 per Joint Between Sections	----	1,2,3,4	
	592-800-010	3" Diameter Bottom Elastomer Seal (1 per Joint)	----	1,2,3,4	
	592-800-007	6" Diameter Top Elastomer Seal (1 per Joint)	----	1,2,3,4	
	591-641-866	Sealer for Sections (Cope Seal -- 4' per Joint)	----	1,2,3,4	
	560-234-470	1/2" Tie Rod w/o Nut (2 per Boiler): EG, P-EG-30, 35	----	1,2,3,4	
	560-234-475	1/2" Tie Rod w/o Nut (2 per Boiler): EG, P-EG-40, 45	----	1,2,3,4	
	560-234-480	1/2" Tie Rod w/o Nut (2 per Boiler): EG, P-EG-50, 55	----	1,2,3,4	
	560-234-485	1/2" Tie Rod w/o Nut (2 per Boiler): EG-65	----	1,2,3,4	
	560-234-490	1/2" Tie Rod w/o Nut (2 per Boiler): EG-75	----	1,2,3,4	
	561-928-221	1/2" Nut (2 per Tie Rod)	----	1,2,3,4	
	562-248-668	1/2" Lock Washer (1 per Tie Rod)	----	1,2,3,4	
	591-602-913	Retort Cement (1 quart)	----	1,2,3,4	
	591-706-214	Flue Brush, 124 DMG	----	1,2,3,4	
D	450-021-255	Draft Hood: EG, P-EG-30	----	2,3,4	
	450-021-256	Draft Hood: EG, P-EG-35	----	2,3,4	
	450-021-257	Draft Hood: EG, P-EG-40	----	2,3,4	
	450-021-258	Draft Hood: EG, P-EG-45	----	2,3,4	
	450-021-259	Draft Hood: EG, P-EG-50	----	2,3,4	
	450-021-260	Draft Hood: EG, P-EG-55	----	2,3,4	
	450-021-261	Draft Hood: EG-65	----	2,3,4	
	450-021-262	Draft Hood: EG-75	----	2,3,4	
E	450-014-733	Collector Hood: EG, P-EG-30, 35	----	1,2,3,4	
	450-014-734	Collector Hood: EG, P-EG-40, 45	----	1,2,3,4	
	450-014-735	Collector Hood: EG, P-EG-50, 55	----	1,2,3,4	
	450-014-736	Collector Hood: EG-65	----	1,2,3,4	
	450-014-737	Collector Hood: EG-75	----	1,2,3,4	
H	451-800-000	Front Base Panel: EG, P-EG-30, 35	----	1,2,3,4	
	450-800-001	Front Base Panel: EG, P-EG-40, 45	----	1,2,3,4	
	451-800-002	Front Base Panel: EG, P-EG-50, 55	----	1,2,3,4	
	451-800-003	Front Base Panel: EG-65	----	1,2,3,4	
	451-800-004	Front Base Panel: EG-75	----	1,2,3,4	
I	451-800-010	Back Base Panel: EG, P-EG-30, 35	----	1,2,3,4	
	451-800-011	Back Base Panel: EG, P-EG-40, 45	----	1,2,3,4	
	451-800-012	Back Base Panel: EG, P-EG-50, 55	----	1,2,3,4	
	451-800-013	Back Base Panel: EG-65	----	1,2,3,4	
	451-800-014	Back Base Panel: EG-75	----	1,2,3,4	

GAS

EG Series 1 – 4 Section and Base Assembly

Fig. No.	Part No.	Description	Casting No.	Boiler Series No.	Notes
I ₂	451-800-020	Base Back Channel: EG, P-EG-30, 35	----	1,2,3,4	
	451-800-021	Base Back Channel: EG, P-EG-40, 45	----	1,2,3,4	
	451-800-022	Base Back Channel: EG, P-EG-50, 55	----	1,2,3,4	
	451-800-023	Base Back Channel: EG-65	----	1,2,3,4	
	451-800-024	Base Back Channel: EG-75	----	1,2,3,4	
H ₂	451-800-040	Base Front Access Panel w/ Flame Rollout Switch Bracket: EG, P-EG-30, 35	----	1,2,3,4	
	451-800-041	Base Front Access Panel w/ Flame Rollout Switch Bracket: EG, P-EG-40, 45	----	1,2,3,4	
	451-800-039	Base Front Access Panel w/ Flame Rollout Switch Bracket: EG, P-EG-50	----	1,2,3,4	
	451-800-042	Base Front Access Panel w/ Flame Rollout Switch Bracket: EG, P-EG-55	----	1,2,3,4	
	451-800-043	Base Front Access Panel w/ Flame Rollout Switch Bracket: EG-65	----	1,2,3,4	
	451-800-044	Base Front Access Panel w/ Flame Rollout Switch Bracket: EG-75	----	1,2,3,4	
H ₃	451-800-085	Back Burner Support: EG, P-EG-30	----	1,2,3,4	
	451-800-086	Back Burner Support: EG, P-EG-35	----	1,2,3,4	
	451-800-087	Back Burner Support: EG, P-EG-40	----	1,2,3,4	
	451-800-088	Back Burner Support: EG, P-EG-45	----	1,2,3,4	
	451-800-089	Back Burner Support: EG, P-EG-50	----	1,2,3,4	
	451-800-090	Back Burner Support: EG, P-EG-55	----	1,2,3,4	
	451-800-092	Back Burner Support: EG, P-EG-65	----	1,2,3,4	
	451-800-094	Back Burner Support: EG, P-EG-75	----	1,2,3,4	
H ₁	510-811-660	Base Insulation Kit (Includes Front and Rear Base Panel Insulation, Water Glass, and Boiler Cement)	----	1,2,3,4	
L	389-900-103	Cover Plate for Heater Opening (Rectangular)	----	1,2,3,4	
L ₂	590-317-579	Gasket for Cover Plate (Rectangular)	----	1,2,3,4	
L ₃	389-900-101	Cover Plate for Heater Opening (Round)	----	1,2,3,4	
L ₄	590-317-495	Gasket for Cover Plate (Round)	----	1,2,3,4	
F	512-200-000	Burner, Steel Tube, Regular Stainless	----	1,2,3,4	
F ₁	512-200-001	Burner, Steel Tube, w/ Pilot Bracket: "PI" Systems (all sizes); "SPL" Systems (all sizes); "SPN" Systems (EG-75 Only) Stainless	----	1,2,3,4	
	512-200-002	Burner, Steel Tube, w/ Pilot Bracket: "SPN" Systems (EG, P-EG-30-65 Only) Stainless	----	1,2,3,4	
	560-528-987	Main Burner Orifice, Natural Gas, 2.45 mm (see Note 1)	----	1,2,3,4	
	560-528-988	Main Burner Orifice, Propane Gas, 1.55 mm (see Note 1)	----	1,2,3,4	
G	591-125-533	Manifold, EG, P-EG-30	----	1,2,3,4	
	591-125-538	Manifold, EG, P-EG-35	----	1,2,3,4	
	591-125-534	Manifold, EG, P-EG-40	----	1,2,3,4	
	591-125-539	Manifold, EG, P-EG-45	----	1,2,3,4	
	591-125-535	Manifold, EG, P-EG-50	----	1,2,3,4	
	591-125-540	Manifold, EG, P-EG-55	----	1,2,3,4	
	591-125-541	Manifold, EG-65	----	1,2,3,4	
	591-125-542	Manifold, EG-75	----	1,2,3,4	
J	451-800-070	Base Side Rail (2 required)		1,2,3,4	
	560-340-577	Tankless heater nut and stud			

Number of burners EG-30 - 2 main burners & 1 burner w/Pilot bracket, EG-35 - 3 main burners & 1 burner w/Pilot bracket, EG-40 - 4 main burners & 1 burner w/Pilot bracket, EG-45 - 5 main burners & 1 burner w/Pilot bracket, EG-50 - 6 main burners & 1 burner w/Pilot bracket, EG-55 - 7 main burners & 1 burner w/Pilot bracket, EG-60 - 8 main burners & 1 burner w/Pilot bracket, EG-65 - 9 main burners & 1 burner w/Pilot bracket, EG-75 - 11 main burners & 1 burner w/Pilot bracket,

EG Series 4 Intermittent Ignition

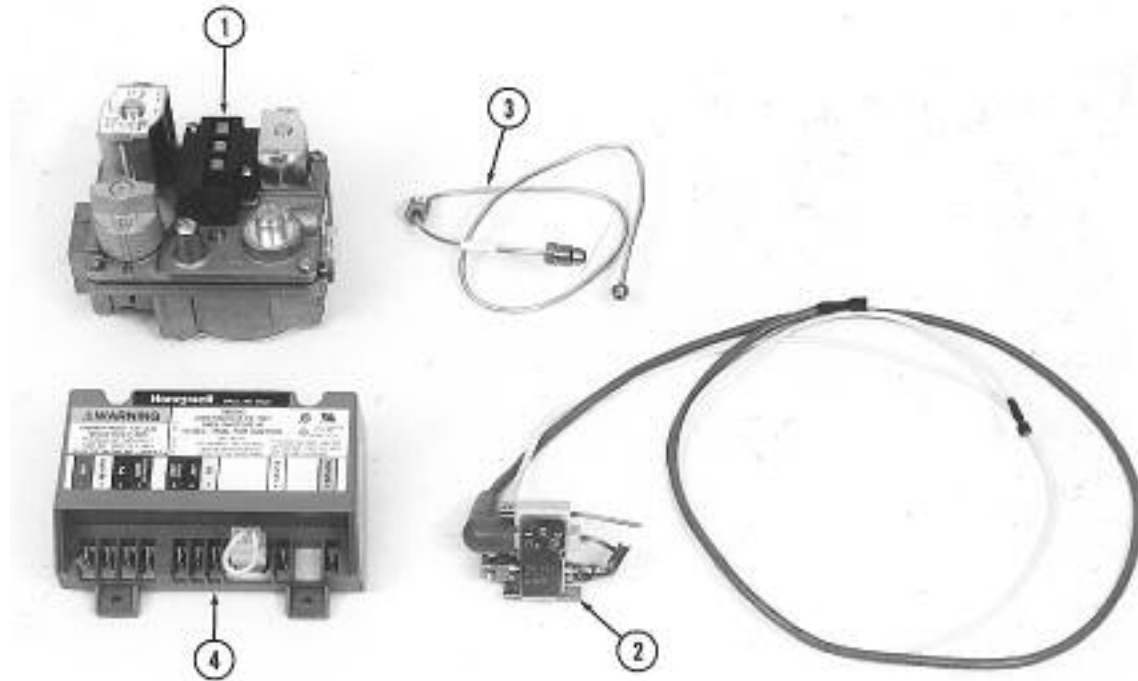


Fig. No.	Part No.	Description	Mfr.	Mfr.'s Part No.	EG Series 4 Boiler Size								Notes	
					30	35	40	45	50	55	65	75		
1	511-044-381	*Combination Gas Control Valve, 1/2" x 1/2" N.P.T., 24 Volt	Honeywell	VR8204 A2001	X	X	X	X	X					
1	511-044-381	*Combination Gas Control Valve, 1/2" x 1/2" N.P.T., 24 Volt	Robertshaw	72001 PER	X	X	X	X	X					
1	511-044-381	*Combination Gas Control Valve, 1/2" x 1/2" N.P.T., 24 Volt	White-Rodgers	36E36-266	X	X	X	X	X					
1	511-044-382	*Combination Gas Control Valve, 3/4" x 3/4" N.P.T., 24 Volt	Honeywell	VR8304 P4348						X	X	X		
1	511-044-382	*Combination Gas Control Valve, 3/4" x 3/4" N.P.T., 24 Volt	White-Rodgers	36C74-474						X	X	X		
2	511-330-218	Pilot Burner Assembly w/ Pilot Burner, Orifice, Sensing Lead, and Ignition Cable												
2	511-330-218	Pilot Burner Assembly w/ Pilot Burner, Orifice, Sensing Lead, and Ignition Cable	PSE	NA-16	X	X	X	X	X	X	X	X		
3	560-742-860	Pilot Tubing, Aluminum 1/8" OD x 22 3/4" Long, w/ Compression Fittings, comes with pilot assembly			X	X	X	X	X	X	X	X		
4	511-330-097	Ignition Control Module w/o Molex, 24 Volt	Honeywell	S8620C1003	X	X	X	X	X	X	X	X		
4	511-330-097	Ignition Control Module w/o Molex, 24 Volt	United Technologies	1003-511	X	X	X	X	X	X	X	X		
	540-130-959	Wiring Harness (in Envelope Assy) for Water Boilers w/o Tankless Heater ONLY	Weil-McLain		X	X	X	X	X	X	X	X		
	540-130-960	Wiring Harness (in Envelope Assy) for Water Boilers w/ Tankless Heater ONLY	Weil-McLain			X	X	X	X	X	X			
	540-130-961	Wiring Harness (in Envelope Assy) for Steam Boilers with Float LWCO ONLY	Weil-McLain		X	X	X	X	X	X	X	X		
	540-130-962	Wiring Harness (in Envelope Assy) for Steam Boilers with Probe LWCO ONLY	Weil-McLain		X	X	X	X	X	X	X	X		

* Combination Gas Valve includes: Manual Gas Cock, Redundant Gas Valves, Main Pressure Regulator, Pilot Take-off w/ Filter, Pilot Adjustment

EG Series 4 Common Control Components

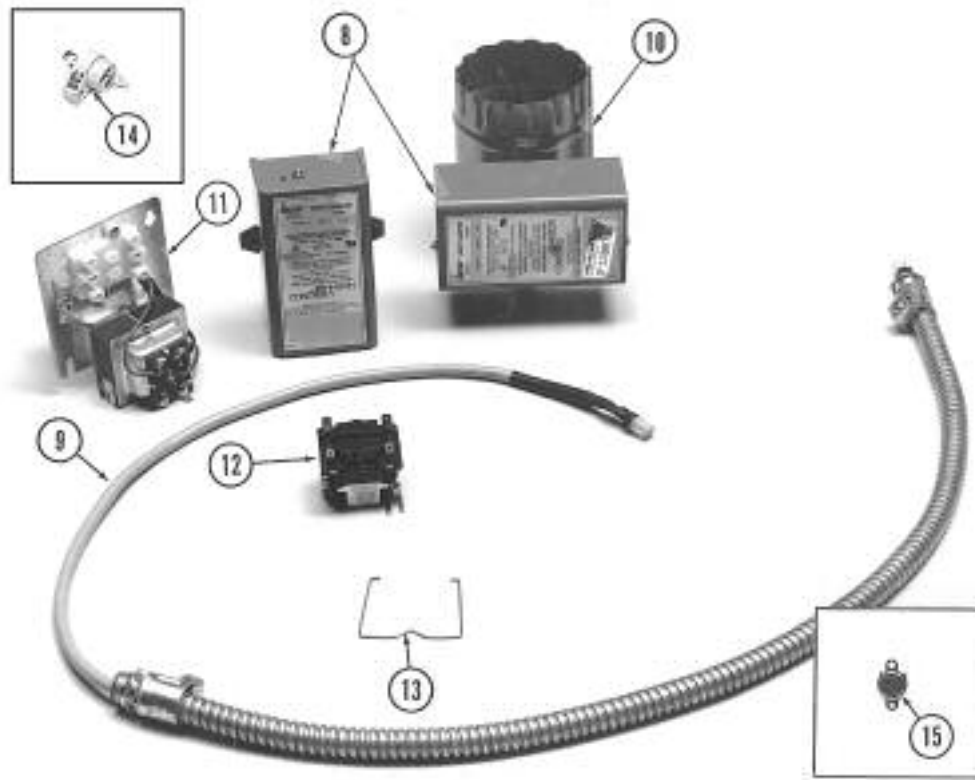
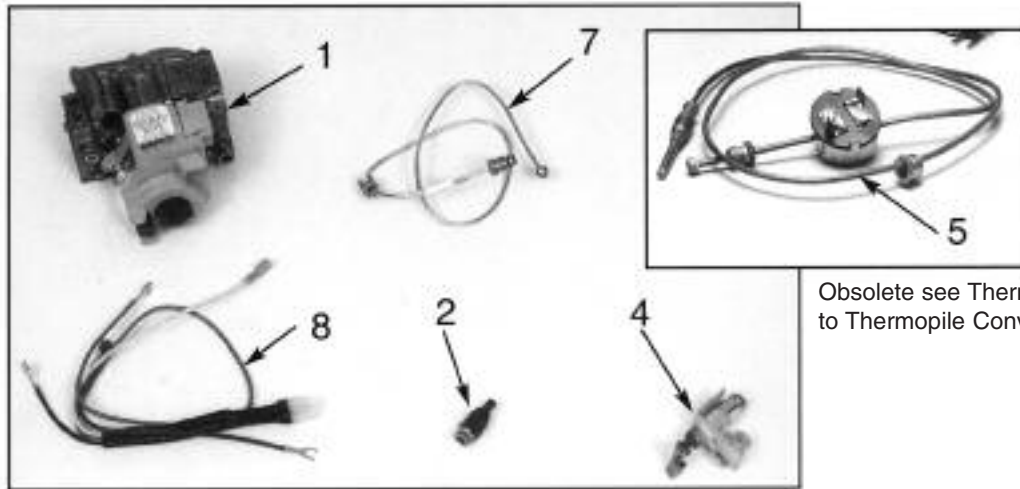


Fig. No.	Part No.	Description	Mfr.	Mfr.'s Part No.	EG Series 4 Boiler Size								Notes
					30	35	40	45	50	55	65	75	
8	510-512-337	Vent Damper Motor w/ Molex (for use on Effikal Dampers ONLY)	Effikal	RVGP	X	X	X	X	X	X	X	X	
9	591-391-795	Damper Wiring Harness with Molex (from Controls Wiring Harness to Damper)	Weil-McLain		X	X	X	X	X	X	X	X	
10	381-800-475	Vent Damper Assembly, 5"	Effikal	RVGP-KS-5BKF	X	X							
10	381-800-475	Vent Damper Assembly, 5"	Johnson	G35GD	X	X							
10	381-800-476	Vent Damper Assembly, 6"	Effikal	RVGP-KS-6BKF			X	X					
10	381-800-476	Vent Damper Assembly, 6"	Johnson	G35GF			X	X					
10	381-800-477	Vent Damper Assembly, 7"	Effikal	RVGP-KS-7BKF					X	X			
10	381-800-477	Vent Damper Assembly, 7"	Johnson	G35GH					X	X			
10	381-800-478	Vent Damper Assembly, 8"	Effikal	RVGP-KS-8BKF								X	X
10	381-800-478	Vent Damper Assembly, 8"	Johnson	G35GK								X	X
11*	510-312-166	Combination Transformer-Relay Receptacle, 120/24V, 40VA	Honeywell	R8285K1004	X	X	X	X	X	X	X	X	
11*	510-312-166	Combination Transformer-Relay Receptacle, 120/24V, 40VA	White-Rodgers	S84A-85	X	X	X	X	X	X	X	X	
11*	510-350-223	Plug-In Relay, DPST, 24 Volt Coil	Honeywell	R8222U1006			X	X	X	X	X	X	
12	510-350-223	Plug-In Relay, DPST, 24 Volt Coil	White-Rodgers	91-112006-11000	X	X	X	X	X	X	X	X	
13													
14	512-050-230	Rollout Thermal Fuse, 229° C	Microtemp	G4AM0600229C	X	X	X	X	X	X	X	X	
14	512-050-230	Rollout Thermal Fuse, 229° C	Elmwood	RD226-001	X	X	X	X	X	X	X	X	
15	510-350-013	Spill Switch with Reset, 210° F	Elmwood	2455RM 8174-187	X	X	X	X	X	X	X	X	

* Not used on EG water boilers with Tankless Heaters.

EG Series 4 Standing Pilot



Obsolete see Thermocouple to Thermopile Conversion Kit

Fig. No.	Part No.	Description	Mfr.	Mfr.'s Part No.	EG Boiler Size								
					30	35	40	45	50	55	65	75	
COMPONENTS FOR NATURAL GAS ONLY													
1N	511-044-360	*Combination Gas Control Valve, 1/2" x 1/2" N.P.T., 24 Volt	Honeywell	VR8200A2116	X	X	X	X	X				
1N	511-044-360	*Combination Gas Control Valve, 1/2" x 1/2" N.P.T., 24 Volt	Robertshaw	7200ER7A0-A1B-042	X	X	X	X	X				
1N	511-044-256	*Combination Gas Control Valve, 3/4" x 3/4" N.P.T., 24 Volt	Honeywell	VR8300C4050						X	X		
1N	511-044-505	*Combination Gas Control Valve, 3/4" x 1" N.P.T., 24 Volt	Robertshaw	7000ERHC-S7C 5D7-501-723									X
2N	560-528-950	Natural Gas Pilot Orifice, .026 Dia. (For Q-327 Pilot, below)	Honeywell	388146-AG									X
NS	510-811-640	Natural Gas Pilot Replacement Kit (Includes Slotted Main Burner w/ Pilot Bracket, Pilot, Thermocouple, and Tubing with Fittings)	Weil-McLain		X	X	X	X	X	X	X	X	
NS	510-811-461	Thermocouple to Thermopile Conversion Kit for Natural Gas	Weil-McLain										X
COMPONENTS FOR PROPANE GAS ONLY													
1P	511-044-258	*Combination Gas Control Valve, 1/2" x 1/2" N.P.T., 24 Volt	Honeywell	VR8200-C1074	X	X	X	X	X				
1P	511-044-257	*Combination Gas Control Valve, 3/4" x 3/4" N.P.T., 24 Volt	Honeywell	VR8300-C4100						X	X		
1P	511-044-506	*Combination Gas Control Valve, 3/4" x 1" N.P.T., 24 Volt	Robertshaw	7000ERHC-S7C 5D7-502-789									X
2P	560-528-957	Propane Gas Pilot Orifice, .010 Dia. (For Q-327 Pilot, below)	Honeywell	388146-KR									X
NS	510-811-642	Propane Gas Pilot Replacement Kit (Includes Slotted Main Burner w/ Pilot Bracket, Pilot, Thermocouple, and Tubing with Fittings)	Weil-McLain		X	X	X	X	X	X	X	X	
NS	510-811-462	Thermocouple to Thermopile Conversion Kit for Propane Gas	Weil-McLain										X
COMPONENTS FOR NATURAL GAS AND PROPANE GAS													
4	511-330-186	Pilot Burner, Constant Burning, Thermally Supervised	Honeywell	Q327A1642									X
NS	511-724-259	Thermopile, 36"	Robertshaw	CP-2									X
NS	590-850-561	5" Lead-wire	Weil-McLain										X
7	560-742-860	Pilot Tubing, Aluminum 1/8" OD x 22 3/4" Long, w/ Compression Fittings	Weil-McLain		X	X	X	X	X	X	X	X	X
8	540-130-955	Wiring Harness for Water Boilers w/o Tankless Heater ONLY	Weil-McLain		X	X	X	X	X	X	X	X	X
8	540-130-956	Wiring Harness for Water Boilers w/ Tankless Heater ONLY	Weil-McLain			X	X	X	X	X	X		
8	540-130-957	Wiring Harness for Steam Boilers with Float LWCO ONLY	Weil-McLain		X	X	X	X	X	X	X	X	X

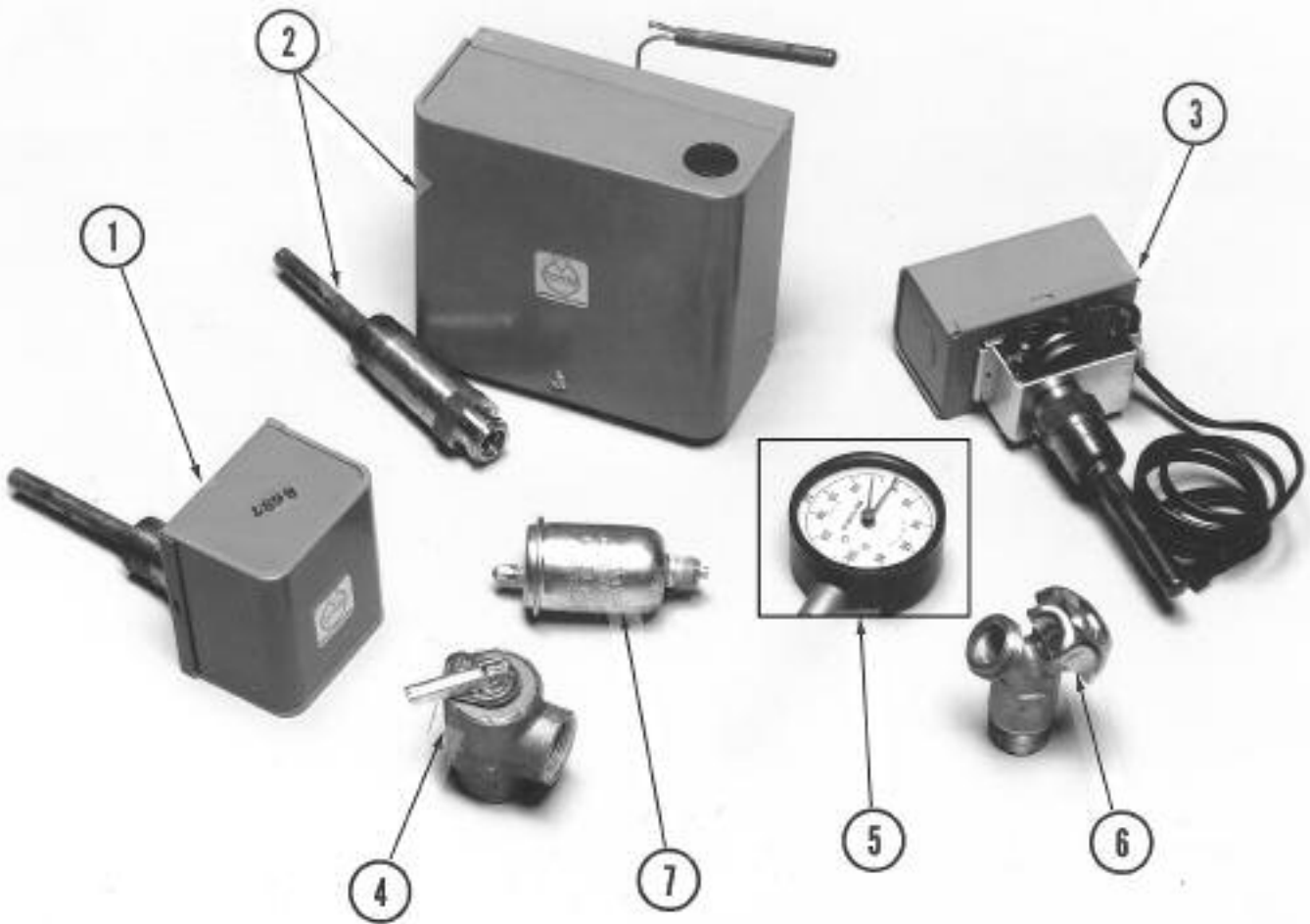
GAS

EG Series 4 Standing Pilot

Fig. No.	Part No.	Description	Mfr.	Mfr.'s Part No.	EG Boiler Size								
					30	35	40	45	50	55	65	75	
8	540-130-958	Wiring Harness for Steam Boilers with PROBE LWCO ONLY	Weil-McLain		X	X	X	X	X	X	X	X	X
NS	510-811-395	Natural to Propane Conversion Kit	Weil-Mclain		X	X	X	X	X				
NS	510-811-396	Natural to Propane Conversion Kit	Weil-Mclain							X	X		
NS	510-811-397	Natural To Propane Conversion Kit	Weil-Mclain										X
NS	510-811-398	Propane to Natural Conversion Kit	Weil-Mclain		X	X	X	X	X				
NS	510-811-399	Propane to Natural Conversion Kit	Weil-Mclain							X	X		
NS	510-811-402	Propane to Natural Conversion Kit	Weil-Mclain										X
NS	511-724-254	Thermocouple Natural Gas	Weil-Mclain										
NS	511-724-253	Thermocouple LP Gas	Weil-Mclain		X	X	X	X	X	X	X		

* Combination Gas Valve includes: Manual Gas Cock, Pilot Operator, Redundant Gas Valves, Main Press. Regulator, Pilot Take-off with Filter, Pilot Adjustment

EG Series 4 Water Trim

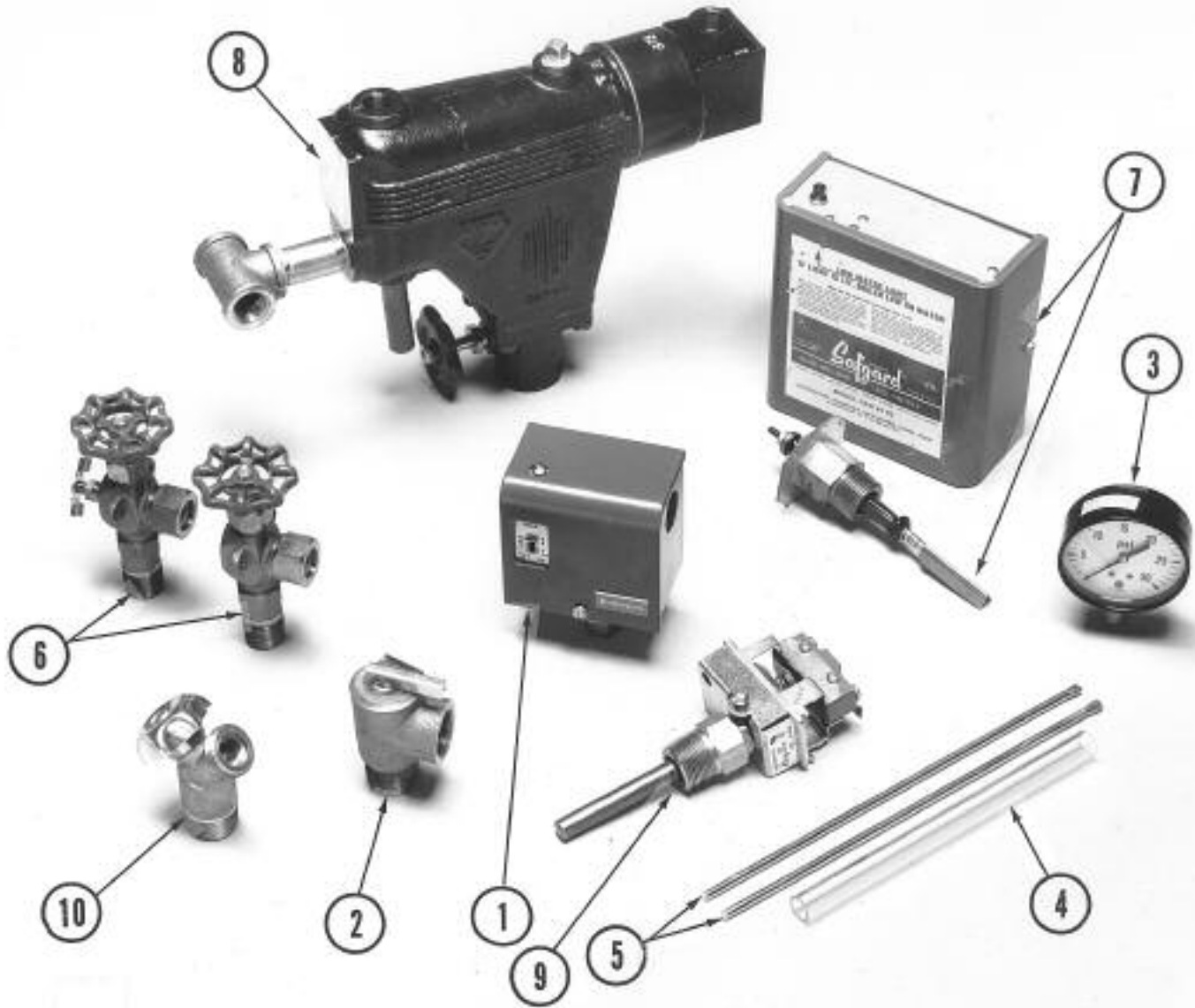


GAS

EG Series 4 Water Trim

Fig. No.	Part No.	Description	Mfr.	Mfr.'s Part No.	EG Series 4 Boiler Size								Notes
					30	35	40	45	50	55	65	75	
TEMPERATURE CONTROLS FOR ALL EG WATER BOILERS WITHOUT TANKLESS HEATERS (EXCEPT EG-75 STANDING PILOT)													
1	510-312-209	High Limit Temperature Control, SPST, Auto Recycle (140-240° F Range), 10° F Fixed Subtractive Differential, w/ 3/4" N.P.T. Well	Honeywell	L4080B1311	X	X	X	X	X	X	X	X	
1	510-312-209	High Limit Temperature Control, SPST, Auto Recycle (140-240° F Range), 10° F Fixed Subtractive Differential, w/ 3/4" N.P.T. Well	White-Rodgers	11B83-16	X	X	X	X	X	X	X	X	
TEMPERATURE CONTROLS FOR EG-75 STANDING PILOT WATER BOILERS WITHOUT TANKLESS HEATER													
3	510-312-137	Combination Operating Limit (140-240° F Range) and Fixed High Limit (240° F) Temperature Control, Auto Recycle, DPST, w/ 3/4" Well. Fixed High Limit Furnished with Wire Leads for Connection to Thermocouple Spade Terminal Block	White-Rodgers	11B83-703									X
3	510-312-137	Combination Operating Limit (140-240° F Range) and Fixed High Limit (240° F) Temperature Control, Auto Recycle, DPST, w/ 3/4" Well. Fixed High Limit Furnished with Wire Leads for Connection to Thermocouple Spade Terminal Block	Honeywell	L4080F1023									X
TEMPERATURE CONTROLS ALL EG WATER BOILERS WITH TANKLESS HEATERS													
2	510-312-249	Combination High Limit-Low Limit w/ Circulator Control with Transformer. HIGH LIMIT: SPST, Auto Recycle, 140-240° F Range, 10° F Subtractive Differential. LOW LIMIT/CIRC CONTROL: SPDT, Auto Recycle, 110-215° F Range, 10-25° F Adjustable Additive Differential.	Honeywell	L8124E1065	X	X	X	X	X	X	X	X	X
2	592-300-005	Immersion Well, 3/4" N.P.T. w/ 3-1/8" Shank	Honeywell	L2387A	X	X	X	X	X	X	X	X	
TRIM FOR ALL EG WATER BOILERS													
4	511-546-924	ASME Pressure Relief valve, Set to Relieve at 30 PSIG, 3/4" N.P.T., Female Inlet	Watts	335	X	X	X	X	X	X	X	X	
4	511-546-924	ASME Pressure Relief valve, Set to Relieve at 30 PSIG, 3/4" N.P.T., Female Inlet	Conbraco	10-408-05	X	X	X	X	X	X	X	X	
5	510-218-097	Combination Gauge, 2 1/2" Dial, 0-75 PSIG, 70-320°, back mount	U.S. Gauge	19998	X	X	X	X	X	X	X	X	
5	510-218-097	Combination Gauge, 2 1/2" Dial, 0-75 PSIG, 70-320°, back mount	ENFM	4104-2-1/2-1/4 CBM-30	X	X	X	X	X	X	X	X	
7	510-148-567	Automatic Air ent	Taco	400-3	X	X	X	X	X	X	X	X	
NS	590-921-904	Tankless Heater - water boiler, includes heater, gasket, nuts and studs. For boiler size EG-35, EG-45	Heat Transfer Products	E-624									
NS	590-921-905	Tankless Heater - water boiler, includes heater, gasket, nuts and studs. For boiler size EG-50, EG-55	Heat Transfer Products	E-626									
NS	590-921-901	Tankless Heater - water boiler, includes heater, gasket, nuts and studs. For boiler size EG-65, EG-75	Heat Transfer Products	E-632									

EG Series 4
Steam Trim

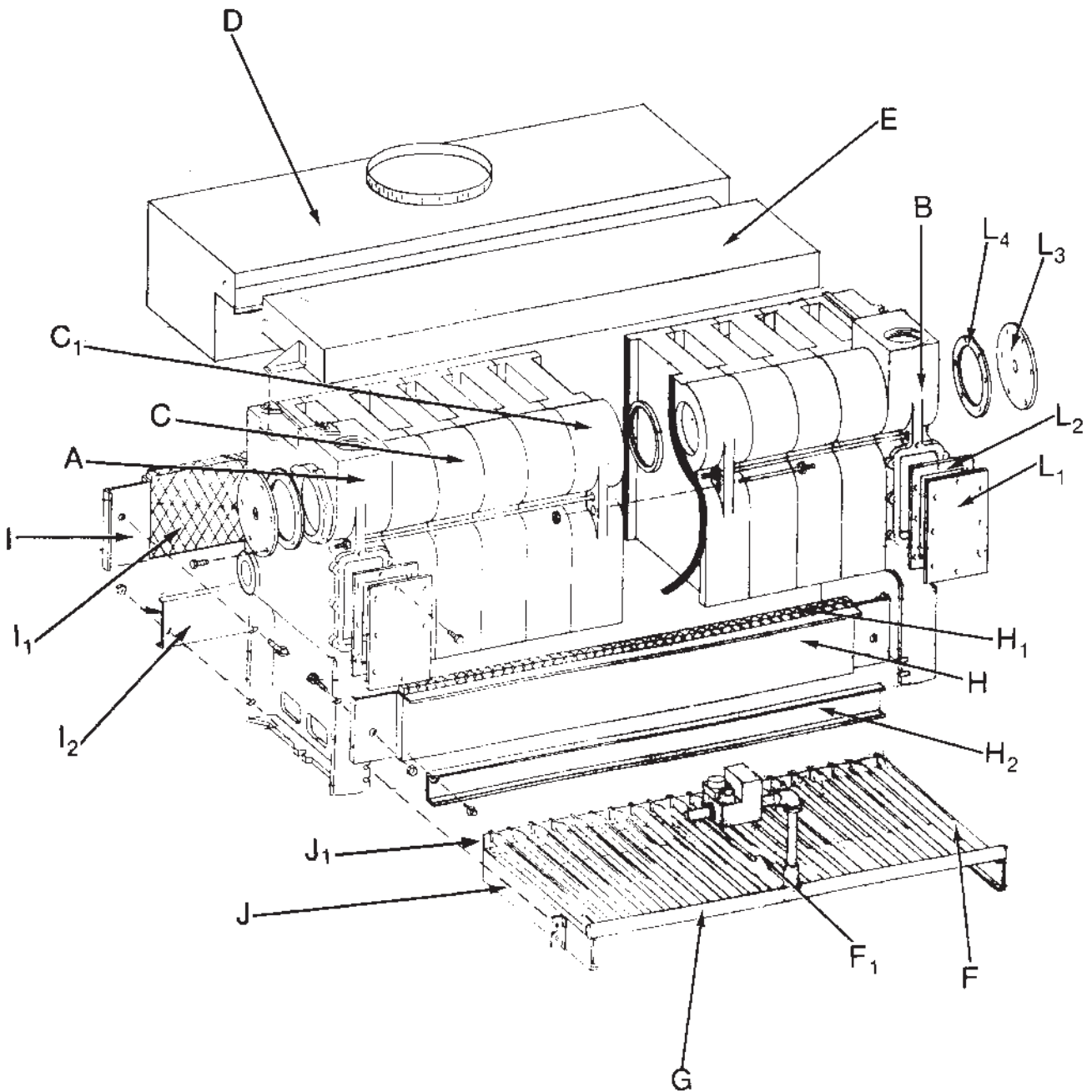


GAS

EG Series 4 Steam Trim

Fig. No.	Part No.	Description	Mfr.	Mfr.'s Part No.	EG Series 4 Boiler Size								Notes
					30	35	40	45	50	55	65	75	
TRIM FOR ALL EG STEAM BOILERS													
1	510-312-135	High Pressure Limit Control, SPST, Auto Recycle, 0-9 PSIG Range, 0-5 PSIG Additive Differential, 1/4" N.P.T. Bottom Connection	Honeywell	PA-404-A	X	X	X	X	X	X	X	X	
2	511-548-023	Steam Relief Valve, 15 PSIG, w/ 3/4" N.P.T. Male Inlet	Conbraco	13-501-08	X	X	X	X	X	X	X	X	
2	511-548-023	Steam Relief Valve, 15 PSIG, w/ 3/4" N.P.T. Male Inlet	Watts	315	X	X	X	X	X	X	X	X	
3	510-218-045	Pressure Gauge, 0-30 PSIG, 2 1/2" Dial, 1/4" N.P.T. Bottom Mount	Winters	E1437	X	X	X	X	X	X	X	X	
3	510-218-045	Pressure Gauge, 0-30 PSIG, 2 1/2" Dial, 1/4" N.P.T. Bottom Mount	Ametek	P505K	X	X	X	X	X	X	X	X	
4	383-600-000	Water Gauge Glass Kit, 5/8" x 7 3/8" with gaskets and brass washers.	Weil-McLain					X					
5	563-334-580	Water Gauge Glass Guard, 3/8" x 9-3/8" (2 per unit)	Weil-McLain		X	X	X	X	X	X	X	X	
PROBE TYPE LOW WATER CUT-OFF COMPONENTS FOR EG STEAM BOILERS													
6	510-218-145	Water Gauge Glass Cocks, Set, 1/2" N.P.T., Male Inlet, Long Stem	Conbraco	21-205-03-W	X	X	X	X	X	X	X	X	
6	510-218-145	Water Gauge Glass Cocks, Set, 1/2" N.P.T., Male Inlet, Long Stem	United Brass Works	905-946	X	X	X	X	X	X	X	X	
7	511-114-515	Low Water Cut-Off, SPDT, 3/4" Male Electrode Type, 24 Volt	Hydrolevel	400	X	X	X	X	X	X	X	X	
7	511-114-516	Low Water Cut-Off, SPDT, 3/4" Male Electrode Type, 24 Volt	McDonnell-Miller	PS-802-24	X	X	X	X	X	X	X	X	
FLOAT TYPE LOW WATER CUT-OFF COMPONENTS FOR EG STEAM BOILERS													
6	510-218-135	Water Gauge Glass Cocks, Set, 1/2" N.P.T., Female Inlet, Std Stem	Conbraco	20-205-03-W	X	X	X	X	X	X	X	X	
6	510-218-135	Water Gauge Glass Cocks, Set, 1/2" N.P.T., Female Inlet, Std Stem	United Brass Works	905A-946A	X	X	X	X	X	X	X	X	
8	511-114-494	Low Water Cut-Off, SPDT, 1/2" N.P.T., Float Type, 24 Volt	McDonnell-Miller	67W-1	X	X	X	X	X	X	X	X	
TANKLESS HEATER OPERATING TEMPERATURE CONTROL FOR EG STEAM BOILERS													
9	510-312-250	Operating Temperature Control, SPST, Auto Recycle, 140-240° F Range, 10° F Subtractive Differential, w/ 3/4" N.P.T. Well	Honeywell	L4080D1036		X	X	X	X	X	X	X	
9	510-312-250	Operating Temperature Control, SPST, Auto Recycle, 140-240° F Range, 10° F Subtractive Differential, w/ 3/4" N.P.T. Well	White-Rodgers	11B81-3		X	X	X	X	X	X	X	
ADDITIONAL TRIM FOR ALL P-EG STEAM BOILERS													
10	511-210-423	Drain Valve, 3/4" N.P.T., 1-1/2" Shank	Conbraco	31-606-01	X	X	X	X	X	X			
NS	590-921-903	Tankless Heater - steam boiler, includes heater, tankless aquastat (Honeywell L4080B-1311), gasket, nuts and studs.	Heat Transfer Products	35-S-29									

EGH Section and Base Assembly
Series 4



GAS

EGH Section and Base Assembly Series 4

Fig. No.	Part No.	Description	Casting No.	Boiler Series No.	Notes
A	311-800-014	Left Hand End Section w/ Heater Opening	1814	1,2,3,4	
	311-800-007	Left Hand End Section w/o Heater Opening	1813	2,3,4	
B	311-800-022	Right Hand End Section w/ Heater Opening	1819	1,2,3,4	
	311-800-032	Right Hand End Section w/o Heater Opening with control tapings	18118	2,3,4	
C	311-800-010	Intermediate Section	1815	1,2,3,4	
	311-800-026	Intermediate Section w/ Tie Rod Lugs	181	2,3,4	
	321-711-100	Section Assembly, Complete: EGH-85 w/ Heater Opening	----	1,2,3,4	
	321-711-105	Section Assembly, Complete: EGH-85 w/o Heater Opening	----	1,2,3,4	
	321-711-110	Section Assembly, Complete: EGH-95 w/ Heater Opening	----	1,2,3,4	
	321-711-115	Section Assembly, Complete: EGH-95 w/o Heater Opening	----	1,2,3,4	
	321-711-120	Section Assembly, Complete: EGH-105 w/ Heater Opening	----	1,2,3,4	
	321-711-125	Section Assembly, Complete: EGH-105 w/o Heater Opening	----	1,2,3,4	
	321-711-130	Section Assembly, Complete: EGH-115 w/ Heater Opening	----	1,2,3,4	
	321-711-135	Section Assembly, Complete: EGH-115 w/o Heater Opening	----	1,2,3,4	
	321-711-140	Section Assembly, Complete: EGH-125 w/ Heater Opening	----	1,2,3,4	
	321-711-145	Section Assembly, Complete: EGH-125 w/o Heater Opening	----	1,2,3,4	
	381-800-667	Section Replacement Kit; Includes 1 ea. 3" and 6" Elastomer Seal, 4 ft. Cope Seal; Order 1 per Joint Between Sections	----	1,2,3,4	
	592-800-010	3" Diameter Bottom Elastomer Seal (1 per Joint)	----	1,2,3,4	
	592-800-007	6" Diameter Top Elastomer Seal (1 per Joint)	----	1,2,3,4	
	591-641-866	Sealer for Sections (Cope Seal -- 4' per Joint)	----	1,2,3,4	
	560-234-465	1/2" x 7" Tie Rod w/o Nut (2 per Boiler)	----	1,2,3,4	
	560-234-472	1/2" x 17" Tie Rod w/o Nut (4 for EGH-85; 2 for EGH-95)	----	1,2,3,4	
	560-234-477	1/2" x 21-1/4" Tie Rod w/o Nut (2 for EGH-95 and EGH-115; 4 for EGH-105)	----	1,2,3,4	
	560-234-482	1/2" x 25-1/4" Tie Rod w/o Nut (2 for EGH-115; 4 for EGH-125)	----	1,2,3,4	
	561-928-221	1/2" Nut (2 per Tie Rod)	----	1,2,3,4	
	562-248-668	1/2" Lock Washer (1 per Tie Rod)	----	1,2,3,4	
	591-602-913	Retort Cement (1 quart)	----	1,2,3,4	
	591-706-214	Flue Brush, 124 DMG	----	1,2,3,4	
D	450-206-240	Draft Hood: EGH-85	----	2,3,4	
	450-206-241	Draft Hood: EGH-95	----	2,3,4	
	450-206-242	Draft Hood: EGH-105	----	2,3,4	
	450-206-243	Draft Hood: EGH-115	----	2,3,4	
	450-206-244	Draft Hood: EGH-125	----	2,3,4	
E	450-014-750	Collector Hood: EGH-85	----	2,3,4	
	450-014-751	Collector Hood: EGH-95	----	2,3,4	
	450-014-752	Collector Hood: EGH-105	----	2,3,4	
	450-014-753	Collector Hood: EGH-115	----	2,3,4	
	450-014-754	Collector Hood: EGH-125	----	2,3,4	
H		Front Base Panel: (In Base Panel Carton)	----		
I		Back Base Panel: (In Base Panel Carton)	----		
I ₂		Back Base Channel: (In Base Panel Carton)	----		

EGH Section and Base Assembly Series 4

H ₂		Base Front Access Panel: (In Base Panel Carton)	----		
J	451-800-070	Side Rail for Burner Pan w/ Bracket for Burner Pan (two required)	----	1,2,3,4	
J ₁	451-800-095	Back Burner Support: EGH-85	----	1,2,3,4	
	451-800-096	Back Burner Support: EGH-95	----	1,2,3,4	
	451-800-097	Back Burner Support: EGH-105	----	1,2,3,4	
	451-800-098	Back Burner Support: EGH-115	----	1,2,3,4	
	451-800-099	Back Burner Support: EGH-125	----	1,2,3,4	
F	512-200-000	Burner, stainless Tube, Regular	----	1,2,3,4	
F ₁	512-200-001	Burner, stainless Tube, w/ Pilot Bracket	----	1,2,3,4	
G	591-125-543	Manifold, EGH-85	----	1,2,3,4	
	591-125-544	Manifold, EGH-95	----	1,2,3,4	
	591-125-545	Manifold, EGH-105	----	1,2,3,4	
	591-125-546	Manifold, EGH-115	----	1,2,3,4	
	591-125-547	Manifold, EGH-125	----	1,2,3,4	
H ₁		Front Base Insulation: (In Base Panel Carton)	----		
I ₁		Back Base Insulation: (In Base Panel Carton)	----		
	381-700-240	Base Panel Carton-EGH-85: (Includes items H, H ₁ , H ₂ , I, I ₁ and I ₂)	----	2,3,4	
	381-700-245	Base Panel Carton-EGH-95: (Includes items H, H ₁ , H ₂ , I, I ₁ and I ₂)	----	2,3,4	
	381-700-250	Base Panel Carton-EGH-105: (Includes items H, H ₁ , H ₂ , I, I ₁ and I ₂)	----	2,3,4	
	381-700-255	Base Panel Carton-EGH-115: (Includes items H, H ₁ , H ₂ , I, I ₁ and I ₂)	----	2,3,4	
	381-700-260	Base Panel Carton-EGH-125: (Includes items H, H ₁ , H ₂ , I, I ₁ and I ₂)	----	2,3,4	
4 ₁	389-900-103	Cover Plate for Heater pening (Rectangular)	----	1,2,3,4	
4 ₂	590-317-579	Gasket for Coer Plate (Rectangular)	----	1,2,3,4	
4 ₃	389-900-101	Cover Plate for Heater pening (Round)	----	1,2,3,4	
4 ₄	590-317-495	Gasket for Coer Plate (Round)	----	1,2,3,4	
	451-800-120	Burner Sields (Rollout): EGH-85	----	3,4	
	451-800-121	Burner Sields (Rollout): EGH-95	----	3,4	
	451-800-122	Burner Sields (Rollout): EGH-105	----	3,4	
	451-800-123	Burner Sields (Rollout): EGH-115	----	3,4	
	451-800-124	Burner Sields (Rollout): EGH-125	----	3,4	
	560-528-987	Main Burner Orifice, Natural Gas, 245 mm (see ote 2)	----	1,2,3,4	
	560-528-988	Main Burner Orifice, Propane Gas, 155 mm (see ote 2)	----	1,2,3,4	

NOTES:

- 1) Order sufficient quantities to replace all orifices within a base.
- 2) Number of burners EGH-85 - 13 main burners & 1 burner w/Pilot bracket, EGH-95 - 15 main burners & 1 burner w/Pilot bracket, EGH-105 - 17 main burners & 1 burner w/Pilot bracket, EGH-115 - 19 main burners & 1 burner w/Pilot bracket, EGH-125 - 21 main burners & 1 burner w/Pilot bracket.

EGH Intermittent Ignition Series 4

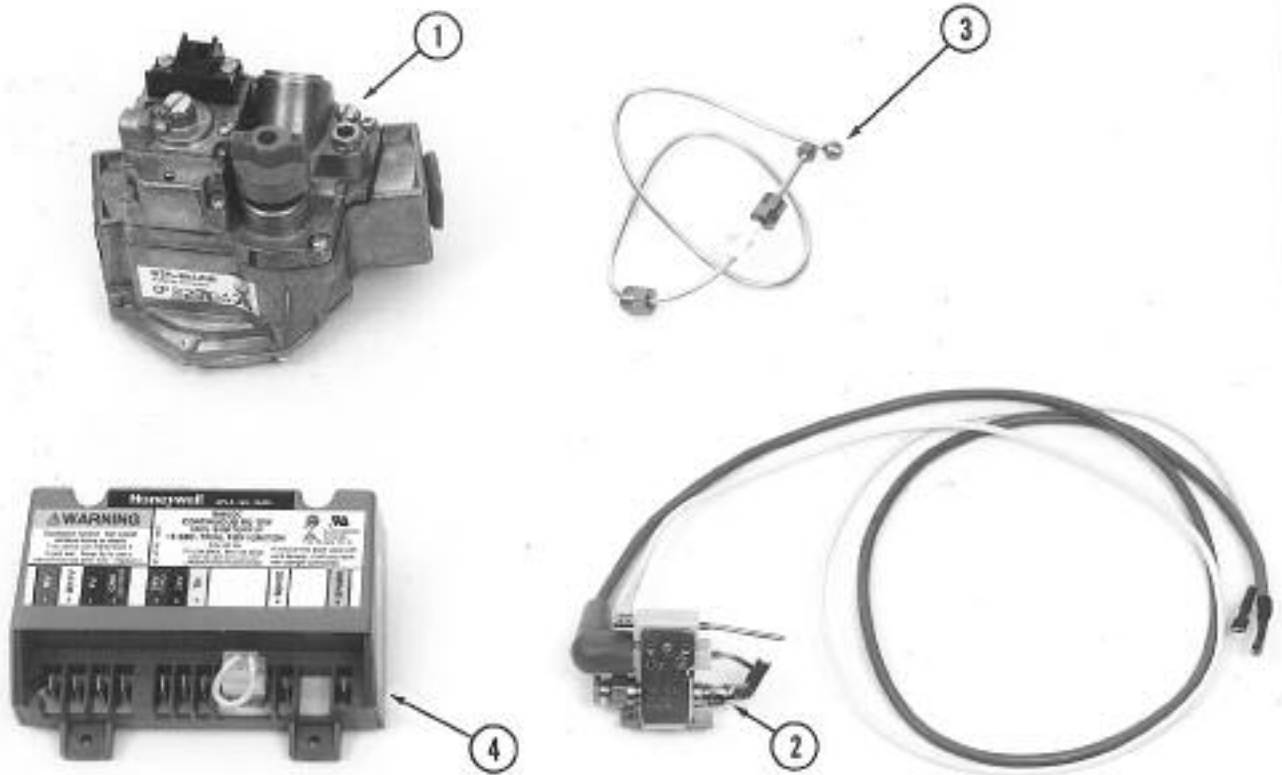


Fig. No.	Part No.	Description	Mfr.	Mfr.'s Part No.	EGH Series 4 Boiler Size					Notes
					85	95	105	115	125	
1	511-044-286	*Combination Gas Control Valve, 3/4" x 1" N.P.T., 24 Volt	Robertshaw	7000DERHC-S7C-5R1-501-723	X	X				
1	511-044-287	*Combination Gas Control Valve, 1" x 1" N.P.T., 24 Volt	Robertshaw	7000DERHC-S7C-5N6-501-723			X	X	X	
2	511-330-221	Pilot Burner Assembly w/ Pilot Burner, Orifice, Sensing Lead, and Ignition Cable	PSE	PSE-NA16	X	X	X	X	X	
3	560-742-865	Pilot Tubing, Aluminum 1/8" OD x 34" Long, w/ Compression Fittings	Weil-McLain		X	X	X	X	X	
4	511-330-097	Ignition Control Module w/o Molex, 24 Volt	United Technologies	1003-611A 1003-511	X	X	X	X	X	
	540-130-966	Wiring Harness in Envelope Assy for Water Boilers w/o Tanless Heater ONLB	Weil-McLain		X	X	X	X	X	
	540-130-969	Wiring Harness in Envelope Assy for Water Boilers w/ Tanless Heater ONLB	Weil-McLain		X	X	X	X	X	
	540-130-967	Wiring Harness in Envelope Assy for Steam Boilers with Float LWCO ONLB	Weil-McLain		X	X	X	X	X	
	540-130-968	Wiring Harness in Envelope Assy for Steam Boilers with Probe LWCO ONLB	Weil-McLain		X	X	X	X	X	
NS	510-811-390	Natural to Propane Conversion it EGH 85-95 PI only	Weil-McLain		X	X				
NS	510-811-391	Natural to Propane Conversion it EGH 105-125 PI only	Weil-McLain				X	X	X	

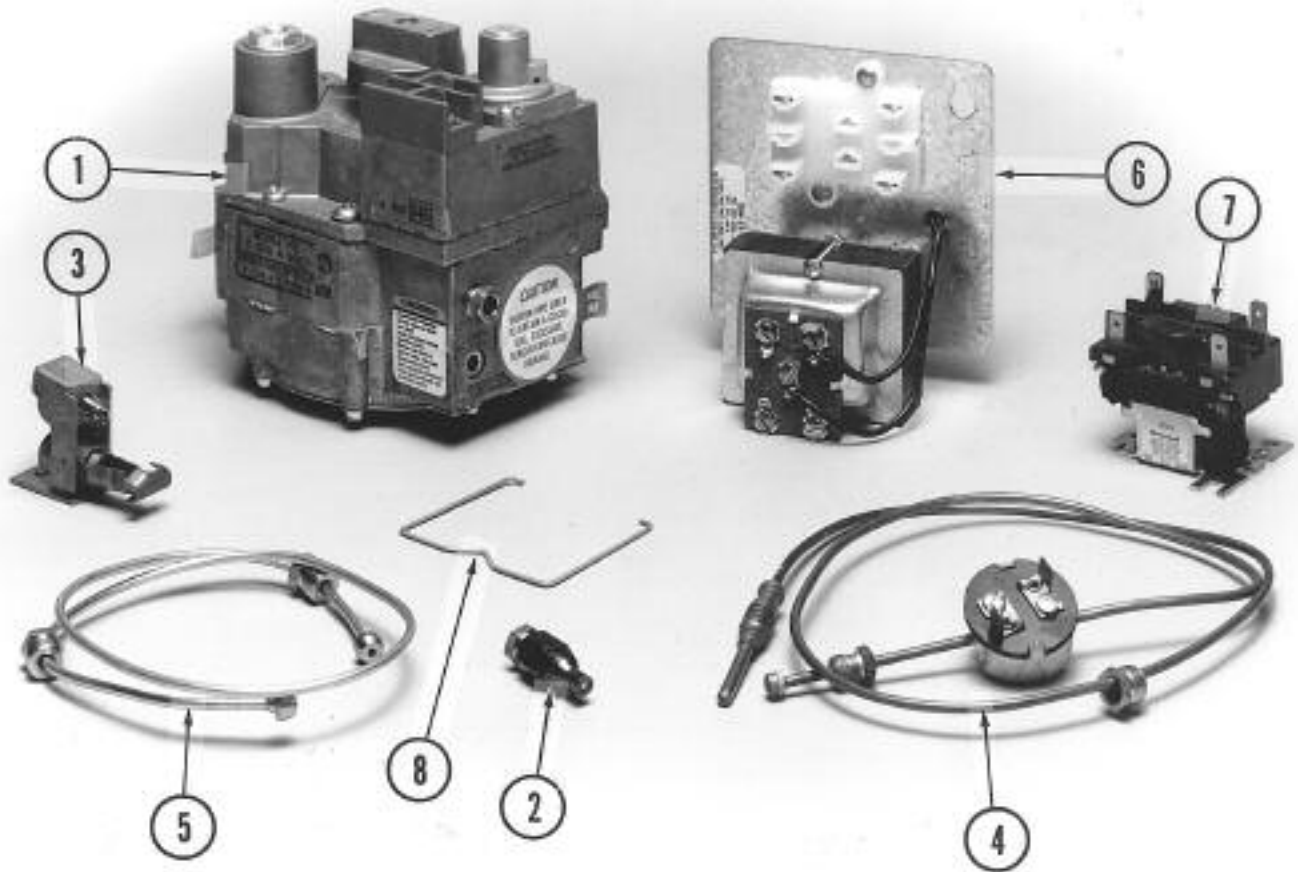
* Combination Gas Valve includes: Manual Gas Cock, Redundant Gas Valves, Main Pressure Regulator, Pilot Take-off w/ Filter, Pilot Adjustment

EGH Intermittent Ignition
Series 4
LP Gas

Part No.	Description	Mfr.	Mfr.'s Part No.	EGH Series 4 Boiler Size					Notes
				85	95	105	115	125	
511-246-320	3/4" Hand valve with 1/8" tapping	Conbraco		X	X				
511-246-325	1" Hand valve with 1/8" tapping	Conbraco				X	X	X	
511-044-278	LP Gas valve, 3/4"x 1", spark pilot	Robert Shaw	M700DERHC-S7C	X	X				
511-044-279	LP Gas valve, 1" x 1", spark pilot	Robert Shaw	M700DERHC-S7C			X	X	X	
511-330-222	LP spark pilot burner, includes sparker, sensor, wires, pilot tubing, and pilot burner	PSE	LP16	X	X	X	X	X	
560-742-865	1/8" x 34" pilot tubing for spark pilot burner			X	X	X	X	X	
511-330-186	LP standing pilot burner, includes orifice and pilot burner	Honeywell	Q327A-1642	X	X	X	X	X	
560-742-874	1/4" by 32" pilot tubing for standing pilot burner			X	X	X	X	X	
511-724-254	Thermocouple, screw in, 30"			X	X	X	X	X	
511-246-340	1/8" x 1/4" manual pilot shut off valve			X	X	X	X	X	
511-330-229	Pilot Switch box for standing pilot	Johnson Controls	L626B-3C	X	X	X	X	X	

GAS

EGH 85 & 95 Standing Pilot Series 4



Obsolete see Thermocouple
to Thermopile Conversion Kit

GAS

APPLICABLE FOR EGH-85 AND EGH-95 BOILERS ONLY							
Fig. No.	Part No.	Description	Mfr.	Mfr.'s Part No.	EGH Series 4 Boiler Size		Notes
					85	95	
COMPONENTS FOR NATURAL GAS ONLY							
1N	511-044-505	*Combination Gas Control Valve, 3/4" x 1" N.P.T., 24 Volt	Robertshaw	7000MSERHC-S7C-5D7-501-723	X	X	
2N	560-528-950	Natural Gas Pilot Orifice, .026 Dia. (For Q-327 Pilot, below)	Honeywell	388146-AG	X	X	
COMPONENTS FOR PROPANE GAS ONLY							
1P	511-044-506	*Combination Gas Control Valve, 3/4" x 1" N.P.T., 24 Volt	Robertshaw	7000MSERHC-S7C-5A7-502-789	X	X	
2P	560-528-957	Propane Gas Pilot Orifice, .010 Dia. (For Q-327 Pilot, below)	Honeywell	388146-KR	X	X	

EGH 85 & 95 Standing Pilot Series 4

COMPONENTS FOR NATURAL GAS AND PROPANE GAS							
3	511-330-186	Pilot Burner, Constant Burning, Thermally Supervised	Honeywell	Q327A1642	X	X	
NS	511-724-259	Thermopile 36" Obsolete with no parts available	Robertshaw	CP2	X	X	
5	560-742-865	Pilot Tubing, Aluminum 1/8" OD x 34" Long, w/ Compression Fittings	Weil-McLain		X	X	
NS	590-850-561	Lead wire 5" with terminals	Weil-McLain		X	X	
NS	510-811-461	Thermocouple to Thermopile Conversion kit, natural gas. Includes natural gas valve, lead wire, thermopile, and instructions.	Weil-McLain		X	X	
NS	510-811-462	Thermocouple to Thermopile Conversion kit, propane gas. Includes LP gas valve, lead wire, thermopile, and instructions.	Weil-McLain		X	X	
NS	510-811-397	Natural to Propane Conversion kit, standing pilot only	Weil-McLain		X	X	
6*	510-312-166	Combination Transformer-Relay Receptacle, 120/24V, 40VA	Honeywell	R8285K1004	X	X	
6*	510-312-166	Combination Transformer-Relay Receptacle, 120/24V, 40VA	White-Rodgers	S84A-85	X	X	
7*	510-350-223	Plug-In Relay, DPST, 24 Volt Coil	Honeywell	R8222U1006	X	X	
7*	510-350-223	Plug-In Relay, DPST, 24 Volt Coil	White-Rodgers	91-112006-11000	X	X	
	540-130-963	Wiring Harness (in Envelope Assy) for Water Boilers w/o Tankless Heater ONLY	Weil-McLain		X	X	
	540-130-964	Wiring Harness (in Envelope Assy) for Steam Boilers with Float LWCO ONLY	Weil-McLain		X	X	
	540-130-965	Wiring Harness (in Envelope Assy) for Steam Boilers with Probe LWCO ONLY	Weil-McLain		X	X	

* Combination Gas Valve includes: Manual Gas Cock, Pilot Operator, Redundant Gas Valves, Main Press. Regulator, Pilot Take-off w/ Filter, Pilot Adjustment

* Not used on EGH Water Boilers with Tankless Heaters

EGH Common Components Series 4

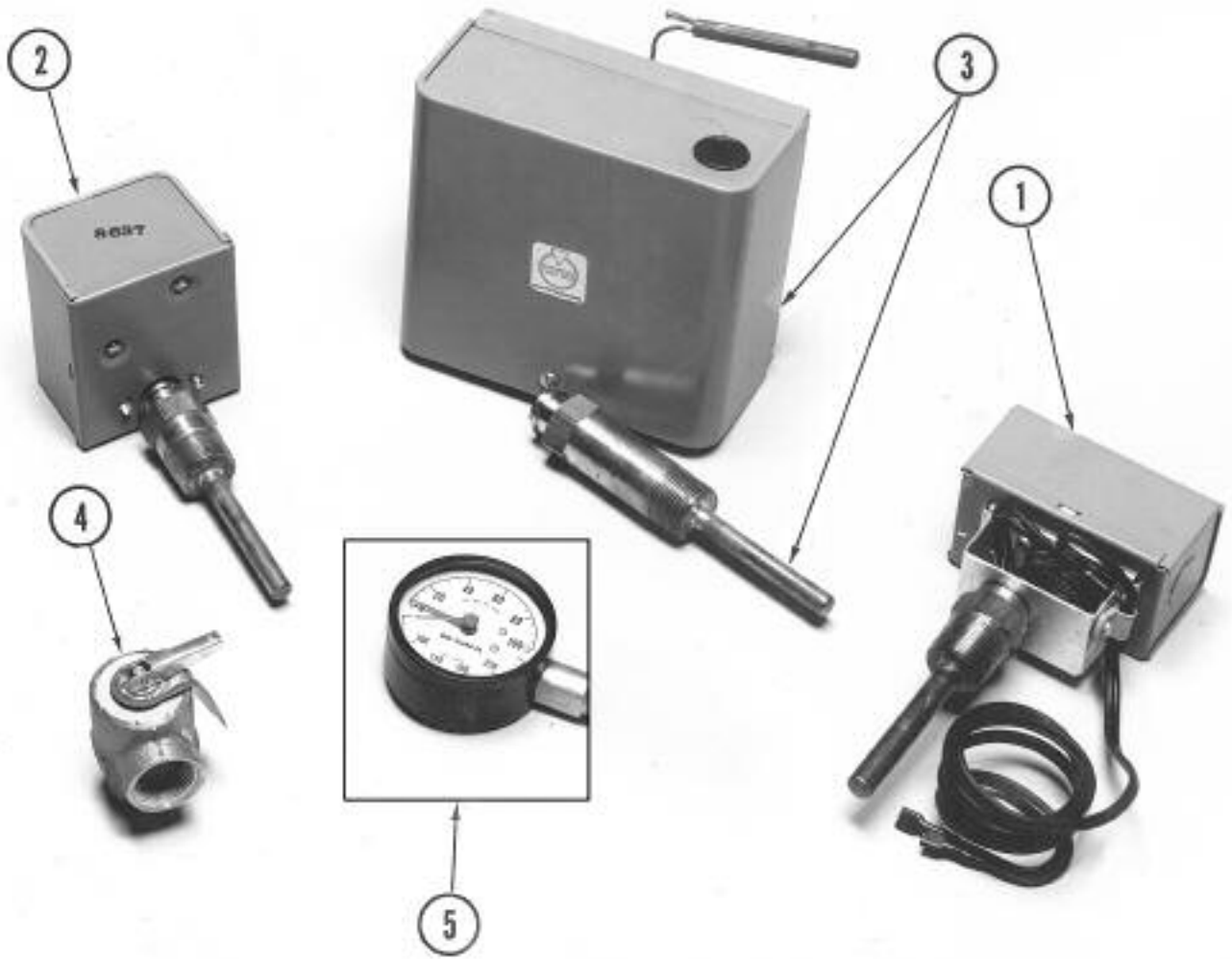


Fig. No.	Part No.	Description	Mfr.	Mfr.'s Part No.	EGH Series 4 Boiler Size					Notes
					85	95	105	115	125	
APPLICABLE FOR WATER OR STEAM BOILERS WITH OR WITHOUT TANKLESS HEATERS										
1	591-391-795	Damper Wiring Harness with Molex (from Controls Wiring Harness to Damper)	Weil-McLain		X	X	X	X	X	
2	510-512-337	Vent Damper Motor w/ Molex (for use on Effikal Dampers ONLY)	Effikal	RVGP	X	X	X	X	X	
3	381-800-445	Vent Damper Assembly, 9"	Effikal	RVGP-KS-9BF	X					
3	381-800-445	Vent Damper Assembly, 9"	Johnson	G35GM	X					
3	381-800-446	Vent Damper Assembly, 10"	Effikal	RVGP-KS-10BF		X	X			
3	381-800-446	Vent Damper Assembly, 10"	Johnson	G35GP		X	X			
3	381-800-447	Vent Damper Assembly, 12"	Effikal	RVGP-KS-12BF				X	X	
3	381-800-447	Vent Damper Assembly, 12"	Johnson	G35GR				X	X	
4*	510-312-166	Combination Transformer-Relay Receptacle, 120/24V, 40VA	Honeywell	R8285K1004	X	X	X	X	X	
4*	510-312-166	Combination Transformer-Relay Receptacle, 120/24V, 40VA	White-Rodgers	S84A-85	X	X	X	X	X	
5*	510-350-223	Plug-In Relay, DPST, 24 Volt Coil	Honeywell	R8222U1006				X		
5*	510-350-223	Plug-In Relay, DPST, 24 Volt Coil	White-Rodgers	91-112006-11000	X	X	X	X	X	
PROPANE COMPONENTS FOR EGH-PI BOILERS										
7	511-330-229	Pilot Switch Box	Johnson	L62GB-3C	X	X	X	X	X	
8	560-528-957	Propane Gas Pilot Orifice, .010 Dia. (For Q-327 Pilot, below)	Honeywell	388146-KR	X	X	X	X	X	
9	511-330-186	Pilot Burner, Constant Burning, Thermally Supervised	Honeywell	Q327A1642	X	X	X	X	X	
10	511-724-254	Thermocouple Lead, 30"	Honeywell	Q309A1988	X	X	X	X	X	
11	511-246-320	Manual Shut-Off Pilot Gas Valve, 3/4"	Conbraco	50-GB5-01	X	X	X	X	X	
12	511-044-278	*Combination Gas Control Valve, 3/4" x 1" N.P.T., 24 Volt	Robertshaw	7200DERHC-S7C-5R1-502-789	X	X				
12	511-044-279	*Combination Gas Control Valve, 1" x 1" N.P.T., 24 Volt	Robertshaw	7200DERHC-S7C-5N6-502-789			X	X	X	

* Combination Gas Valve includes: Manual Gas Cock, Redundant Gas Valves, Main Pressure Regulator, Pilot Take-off w/ Filter, Pilot Adjustment

* Not used on EGH Water Boilers with Tankless Heaters

EGH Water Trim Series 4



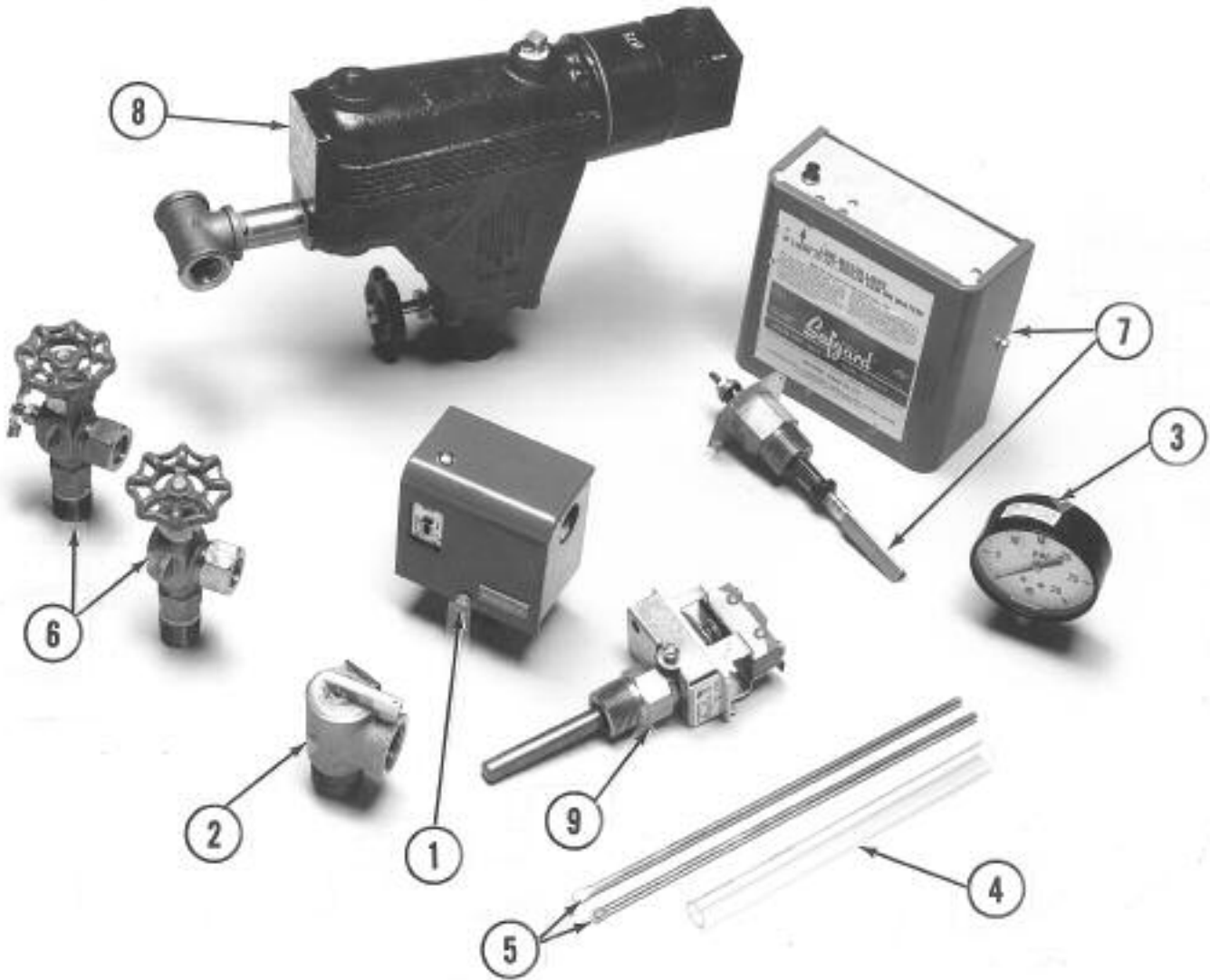
GAS

EGH Water Trim Series 4

Fig. No.	Part No.	Description	Mfr.	Mfr.'s Part No.	EGH Series 4 Boiler Size					Notes
					85	95	105	115	125	
TEMPERATURE CONTROLS FOR ALL EGH STANDING PILOT BOILERS										
1	510-312-137	Combination Operating Limit (140-240° F Range) and Fixed High Limit (240° F) Temperature Control, Auto Recycle, DPST, w/ 3/4" Well. Fixed High Limit Furnished with Wire Leads for Connection to Thermocouple Spade Terminal Block 15° Differential on both limits	White-Rodgers	11B83-703	X	X				
1	510-312-137	Combination Operating Limit (140-240° F Range) and Fixed High Limit (240° F) Temperature Control, Auto Recycle, DPST, w/ 3/4" Well. Fixed High Limit Furnished with Wire Leads for Connection to Thermocouple Spade Terminal Block 15° Differential on both limits	Honeywell	L4080F1023	X	X				
TEMPERATURE CONTROLS FOR PI AND PID BOILERS WITHOUT TANKLESS HEATERS										
2	510-312-209	High Limit Temperature Control, SPST, Auto Recycle, 140-240° F Range, 10° F Fixed Subtractive Differential, w/ 3/4" Well.	White-Rodgers	11B83-16	X	X	X	X	X	
2	510-312-209	High Limit Temperature Control, SPST, Auto Recycle, 140-240° F Range, 10° F Fixed Subtractive Differential, w/ 3/4" Well.	Honeywell	L4080B1311	X	X	X	X	X	
TEMPERATURE CONTROLS FOR PI AND PID BOILERS WITH TANKLESS HEATERS										
3	510-312-249	Combination High Limit-Low Limit w/ Circulator Control with Transformer. HIGH LIMIT: SPST, Auto Recycle, 140-240° F Range, 10° F Subtractive Differential. LOW LIMIT/CIRC CONTROL: SPDT, Auto Recycle, 110-215° F Range, 10-25° F Adjustable Additive Differential.	Honeywell	L8124E1065	X	X	X	X	X	
3	592-300-005	Immersion Well, 3/4" N.P.T. w/ 3-1/8" Shank	Honeywell	123871A				X		
WATER TRIM COMPONENTS COMMON TO ALL EGH BOILERS										
4	511-546-924	ASME Pressure Relief Valve, Set to Relieve at 30 PSIG, 3/4" N.P.T., Female Inlet	Watts	335	X	X	X	X	X	
4	511-546-924	ASME Pressure Relief Valve, Set to Relieve at 30 PSIG, 3/4" N.P.T., Female Inlet	Conbraco	10-408-05	X	X	X	X	X	
5	510-218-097	Combination Gauge, 2 1/2" Dial, 0-75 PSIG, 70-320° back mount	U.S. Gauge	19998	X	X	X	X	X	
5	510-218-097	Combination Gauge, 2 1/2" Dial, 0-75 PSIG, 70-320° back mount	ENFM	4104-2-1/2-1/4 CBM-30	X	X	X	X	X	
NS	590-921-917	Tankless Heater - water boiler, includes heater, gasket, nuts and studs. For all sizes EGH boiler	Heat Transfer Products	E-632						

GAS

EGH Steam Trim Series 4



GAS

EGH Steam Trim Series 4

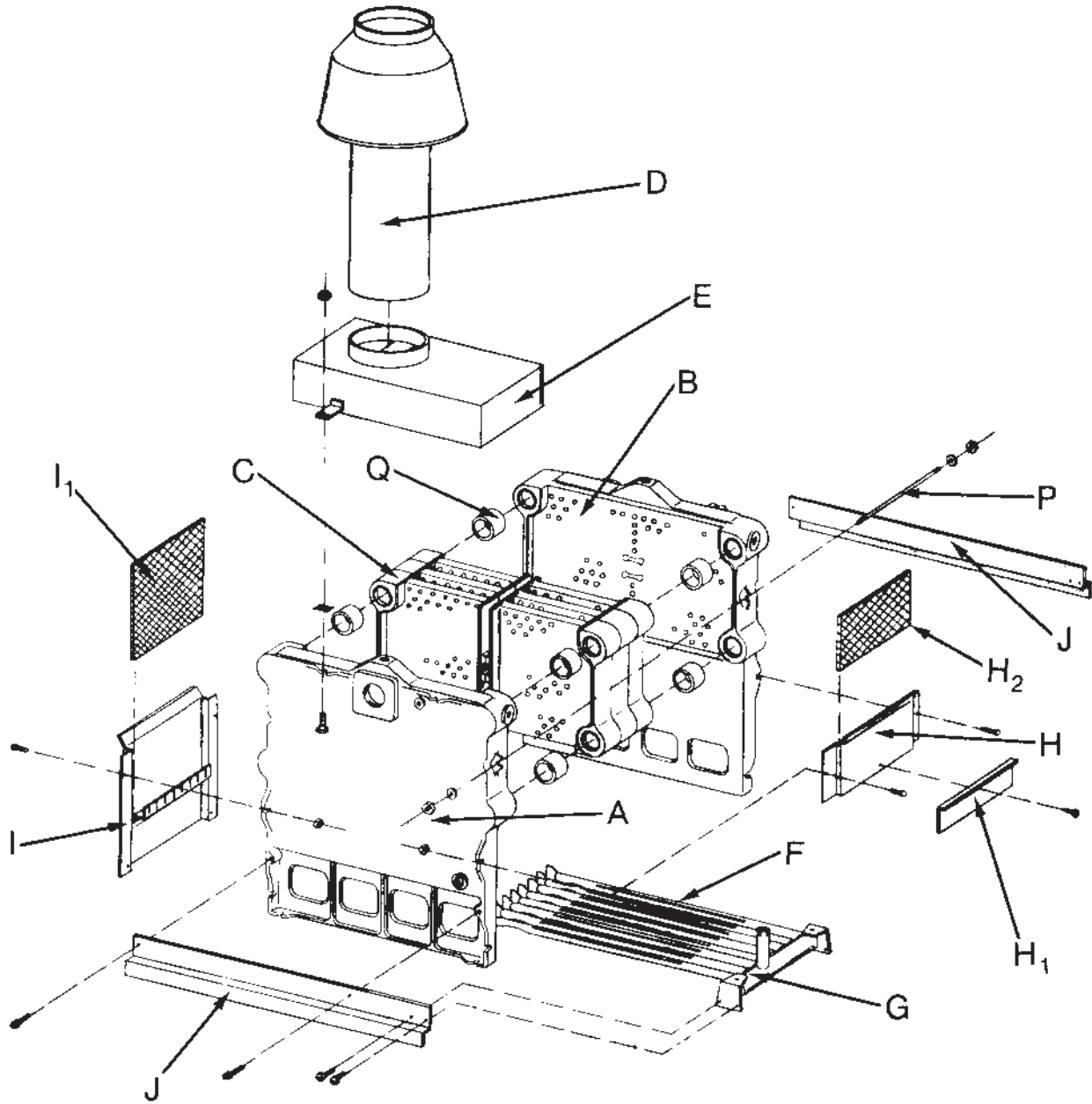
Fig. No.	Part No.	Description	Mfr.	Mfr.'s Part No.	EGH Series 4 Boiler Size					Notes
					85	95	105	115	125	
TRIM FOR ALL EGH STEAM BOILERS										
1*	510-312-135	*High Pressure Limit Control, SPST, Auto Recycle, 0-9 PSIG Range, 0-5 PSIG Additive Differential, 1/4" N.P.T. Bottom Connection	Honeywell	PA-404-A	X	X	X	X	X	
2	511-548-020	Steam Relief Valve, 15 PSIG, 3/4" N.P.T., Male Inlet, Side Outlet	Conbraco	13-211-08	X	X	X	X	X	
2	511-548-020	Steam Relief Valve, 15 PSIG, 3/4" N.P.T., Male Inlet, Side Outlet	Watts	415	X	X	X	X	X	
3	510-218-045	Pressure Gauge, 0-30 PSIG, 2 1/2" Dial, 1/4" N.P.T. Bottom Mount	Ametek	P505K	X	X	X	X	X	
4	383-600-000	Water Gauge Glass Kit, 5/8" x 7 3/8" with gaskets and brass washers.	Weil-McLain		X	X	X	X	X	
5	563-334-580	Water Gauge Glass Guard, 3/8" x 9-3/8" (2 per unit)	Weil-McLain		X	X	X	X	X	
PROBE TYPE LOW WATER CUT-OFF COMPONENTS FOR EGH STEAM BOILERS										
6	510-218-145	Water Gauge Glass Cocks, Set, 1/2" N.P.T., Male Inlet, Long Stem	Conbraco	21-205-03-W	X	X	X	X	X	
7*	511-114-515	Low Water Cut-Off, SPDT, 3/4" Male Electrode Type, 24 Volt	Hydrolevel	400	X	X	X	X	X	
FLOAT TYPE LOW WATER CUT-OFF COMPONENTS FOR EGH STEAM BOILERS										
6	510-218-135	Water Gauge Glass Cocks, Set, 1/2" N.P.T., Female Inlet, Std Stem	Conbraco	20-205-03-W	X	X	X	X	X	
8	511-114-494	Low Water Cut-Off, SPDT, 1/2" N.P.T., Float Type, 24 Volt	McDonnell-Miller	67W-1	X	X	X	X	X	
TANKLESS HEATER OPERATING TEMPERATURE CONTROL FOR EGH STEAM BOILERS										
9	510-312-250	Operating Temperature Control, SPST, Auto Recycle, 140-240 ° F Range, 10° F Subtractive Differential, w/ 3/4" N.P.T. Well	Honeywell	L4080D1036	X	X	X	X	X	
9	510-312-250	Operating Temperature Control, SPST, Auto Recycle, 140-240 ° F Range, 10° F Subtractive Differential, w/ 3/4" N.P.T. Well	White-Rodgers	11B81-3	X	X	X	X	X	
NS	590-921-903	Tankless Heater - water and steam boiler, includes heater, tankless aquastat (Honeywell L4080B-1311), gasket, nuts and studs.	Heat Transfer Products	35-S-29						

* Alternate Components

* Two High Limits used with EGH-85 and EGH-95 Standing Pilot Steam Boilers

GAS

PFG Section & Base Assembly



GAS

PFG Boiler Parts List Series 1 through 7

Note: Series 1-6 section assemblies utilized push nipples. No remaining push nipple sections are available. Replace entire block.

Fig #	Part No.	Description	Series #	Price
A	312-804-405	Left Hand End Section, 5113	7	
B	312-804-415	Right Hand End Section, 5117	7	
C	312-804-416	Intermediate Section Half, 5115 (Requires 2 per intermediate section)	7	
	321-114-507	Section Assembly, Complete with well: P-FG-5 (See Note)	7	
	321-114-508	Section Assembly, Complete with well: P-FG-6 (See Note)	7	
	321-114-509	Section Assembly, Complete with well: P-FG-7 (See Note)	7	
	321-114-510	Section Assembly, Complete with well: P-FG-8 (See Note)	7	
	386-700-856	Section Assembly repair kit (1 per joint) includes seals, guide ball bearings, silicone sealant, instructions	7	
D	450-021-200	Draft Hood, Vertical: P-FG-5	1-7	
D	450-021-201	Draft Hood, Vertical: P-FG-6	1-7	
D	450-021-202	Draft Hood, Vertical: P-FG-7	1-7	
D	450-021-205	Draft Hood, Vertical: P-FG-8	5-7	
	591-638-851	RTV 108 or Equivalent	1-7	
E	450-014-819	Collector Hood, P-FG-5	4-7	
E	450-014-820	Collector Hood, P-FG-6	4-7	
E	450-014-821	Collector Hood, P-FG-7	4-7	
E	450-014-822	Collector Hood, P-FG-8	4-7	
F	512-200-022	Burner, Tubular Steel, Regular	5-7	
F	512-200-023	Burner, Tubular Steel with Pilot Bracket	5-7	
G	591-125-820	Manifold: P-FG-5	1-7	
G	591-125-821	Manifold: P-FG-6	1-7	
G	591-125-822	Manifold: P-FG-7	1-7	
G	591-125-823	Manifold: P-FG-8	1-7	
H ₂	591-222-020	Front Base Insulation: P-FG-5	1-7	
H ₂	591-222-021	Front Base Insulation: P-FG-6	1-7	
H ₂	591-222-022	Front Base Insulation: P-FG-7	1-7	
H ₂	591-222-025	Front Base Insulation: P-FG-8	1-7	
I ₁	591-222-030	Back Base Insulation: P-FG-5	1-7	
I ₁	591-222-031	Back Base Insulation: P-FG-6	1-7	
I ₁	591-222-032	Back Base Insulation: P-FG-7	1-7	
I ₁	591-222-033	Back Base Insulation: P-FG-8	1-7	
	560-529-055	Main Burner Orifice (Natural) No. 37 Drill	5-7	
	560-529-056	Main Burner Orifice (Propane) No. 37 Drill	5-7	
Q	561-326-825	1-3/4" Dia. Push Nipple (4 per joint). Obsolete - will sell remaining inventory. Call for availability	1-6	
P	560-234-422	Tie Rod w/o Nut (2 per Boiler): P-FG-5, 3/8" X 15"	1-7	
P	560-234-433	Tie Rod w/o Nut (2 per Boiler): P-FG-6, 3/8" X 18"	1-7	
P	560-234-437	Tie Rod w/o Nut (2 per Boiler): P-FG-7, 3/8" X 21"	1-7	
P	560-234-443	Tie Rod w/o Nut (2 per Boiler): P-FG-8, 3/8" X 24"	1-7	
P	560-234-439	Tie Rod w/o Nut (2 per Boiler): P-FG-10, 3/8" X 30"	1	
	561-928-215	3/8" Nut (2 per Tie Rod)	1-7	
	562-248-690	3/8" Washer (2 per Tie Rod)	1-7	
	591-706-214	Flue Brush, 123 DMG	1-7	
	591-638-851	Silicone Sealant RTV 700	5-7	
	591-602-913	Retort Cement (1 Quart)	1-7	

PFG Boiler Parts List Series 1 through 7

	460-003-700	Radiation Plate (2 per Joint)	4-7	
	452-800-449	Flue Baffle: PFG-5, 5A	4-7	
	452-800-451	Flue Baffle: PFG-6	4-7	
	452-800-452	Flue Baffle: PFG-7	4-7	
	452-800-453	Flue Baffle: PFG-8	4-7	
	591-222-095	Flue Baffle Insulation: PFG-5,5A	4-7	
	591-222-096	Flue Baffle Insulation: PFG-6	4-7	
	591-222-097	Flue Baffle Insulation: PFG-7	4-7	
	591-222-098	Flue Baffle Insulation: PFG-8	4-7	
	412-800-115	Jacket Replacement: PFG-5	1-7	
	412-800-120	Jacket Replacement: PFG-6	1-7	
	412-800-125	Jacket Replacement: PFG-7	1-7	
	412-800-130	Jacket Replacement: PFG-8	1-7	
	569-928-020	Jacket Hardware Kit	1-7	
H	452-800-500	Front Base Panel PFG-5	1-7	
H	452-800-501	Front Base Panel PFG-6	1-7	
H	452-800-502	Front Base Panel PFG-7	1-7	
H	452-800-503	Front Base Panel PFG-8	1-7	
H ₁	452-800-540	Base Access Panel PFG-5	1-7	
H ₁	452-800-541	Base Access Panel PFG-6	1-7	
H ₁	452-800-542	Base Access Panel PFG-7	1-7	
H ₁	452-800-543	Base Access Panel PFG-8	1-7	
I	452-800-655	Right Hand/ Left Hand Base Rail (2 required)	1-7	
I	452-800-580	Base Back Panel PFG-5	1-7	
I	452-800-581	Base Back Panel PFG-6	1-7	
I	452-800-582	Base Back Panel PFG-7	1-7	
I	452-800-583	Base Back Panel PFG-8	1-7	

NOTE: Number of burners: PFG-5 - 7 main burners & 1 burner w/pilot bracket, PFG-6 - 9 main burners & 1 burner w/pilot bracket, PFG-7-11 main burners & 1 burner w/pilot bracket, PFG-8 -13 main burners & 1 burner w/pilot bracket.

PFG Trim

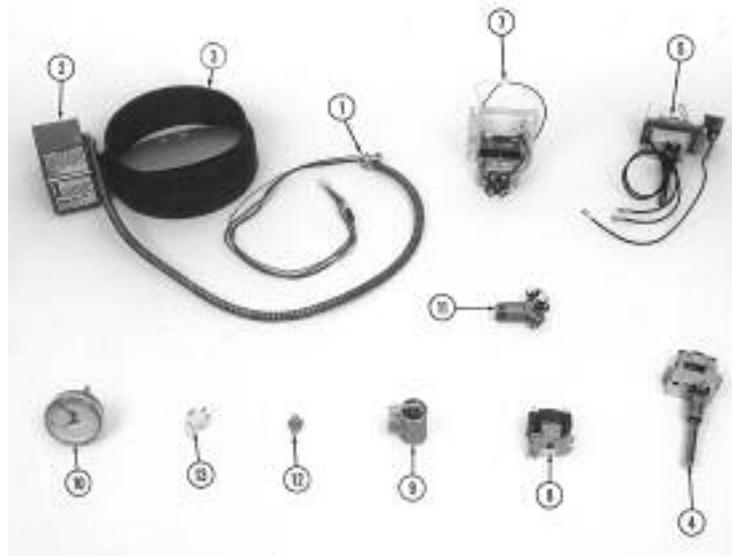


Fig. No.	Part No.	Description	Mfr.	Mfr.'s Part No.	Notes
COMPONENTS FOR PI/PID MODELS					
1	591-391-795	Vent Damper Wiring Harness	Weil-McLain		
2	510-512-337	Vent Damper Motor Operator	Effikal	RVGP	
	510-312-255	Vent Damper Motor Operator	Johnson	M35BE-1C	
3	381-800-477	Vent Damper Assemble, 7"	Effikal	RVGP-KS-7BKF	
	381-800-477	Vent Damper Assemble, 7"	Johnson	Q35GH-2	
	381-800-478	Vent Damper Assemble, 8"	Effikal	RVGP-KS-8BKF	
	381-800-478	Vent Damper Assemble, 8"	Johnson	Q35GK-2	
	381-800-445	Vent Damper Assemble, 9"	Effikal	RVGP-KS-9BKF	
	381-800-445	Vent Damper Assemble, 9"	Johnson	Q35GM-2	
4	510-312-250	High Limit Control, SPST, Automatic Recycle, 140-240°F Range, 30° Fixed Differential with 3/4" N.P.T. Well	White-Rodgers	11B81-3	
	510-312-250	High Limit Control, SPST, Automatic Recycle, 140-240°F Range, 30° Fixed Differential with 3/4" N.P.T. Well	Honeywell	L4080D1036	
24 VOLT STANDING PILOT COMPONENTS					
5	510-312-145	Combined Operating and Fixed High Limit Temperature Control, SPST, Automatic Recycle, Operating High Limit 140-240°F Range, Fixed High Limit 240°F with 3/4" N.P.T. Well	White-Rodgers	11B81-703	
COMPONENTS COMMON TO ALL PFG BOILERS					
7	510-312-166	Combination Transformer-Relay Receptacle, 120/24 V, 40Va	White Rodgers	S84A-85	
	510-312-166	Combination Transformer-Relay Receptacle, 120/24 V, 40Va	White Rodgers	599-9001	
	510-312-166	Combination Transformer-Relay Receptacle, 120/24 V, 40Va	Honeywell	R8285K1004	
	510-312-166	Combination Transformer-Relay Receptacle, 120/24 V, 40Va	Products Unlimited	57-01E07CSF223	
8	510-350-223	Plug-In DPST Relay with 24 Volt Holding Coil	Honeywell	R8222U1006	
	510-350-223	Plug-In DPST Relay with 24 Volt Holding Coil	White-Rodgers	91-322000-11000	
	510-350-223	Plug-In DPST Relay with 24 Volt Holding Coil	Products Unlimited	9100-241Q223	
9	511-546-924	ASME Relief Valve, Set to Relieve at 30 PSIG, 3/4" N.P.T. Female Inlet	Watts	335	
	511-546-924	ASME Relief Valve, Set to Relieve at 30 PSIG, 3/4" N.P.T. Female Inlet	Conbraco	10-408-05	
10	510-218-097	Combination Gauge, 2-1/2" Dial, 0-60 PSIG, 60-260°F, Long Shank, 1/4" N.P.T. Back Mount	ENFM	4104	
	510-218-097	Combination Gauge, 2-1/2" Dial, 0-60 PSIG, 60-260°F, Long Shank, 1/4" N.P.T. Back Mount	Ametek	PT 1088	
11	511-210-423	Drain Valve, 1-1/2" Shank, 3/4" N.P.T.	Conbraco	31-606-01	
	510-300-013	Spill Switch with Reset, 210°F PFG-5 only	Elmwood Sensors	2455RM-8174-0201	
13	512-050-230	Rollout Thermal Fuse Element, 228° C PFG-5 only	Elmwood Sensors	RD226-001	
13	512-050-230	Rollout Thermal Fuse Element, 228° C PFG-5 only	Microtemp	G4AM0600229C	

PFG Standing Pilot Series 3-6



Obsolete see Thermocouple
to Thermopile Conversion Kit

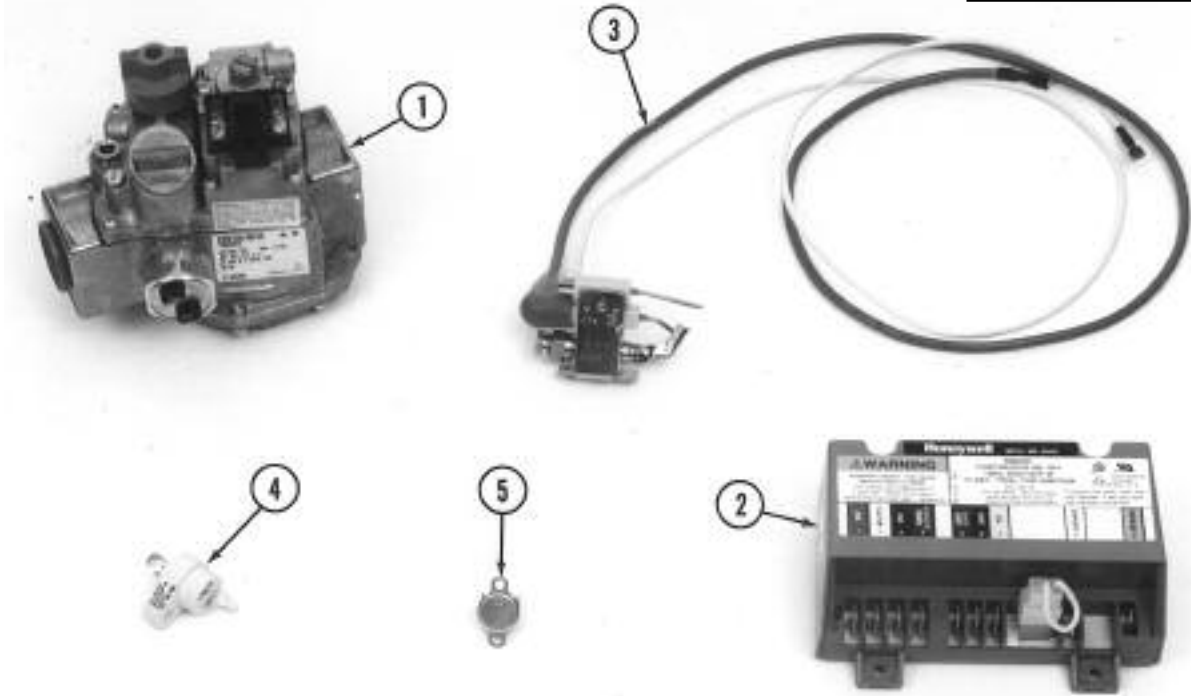
GAS

PFG Standing Pilot Series 3-6

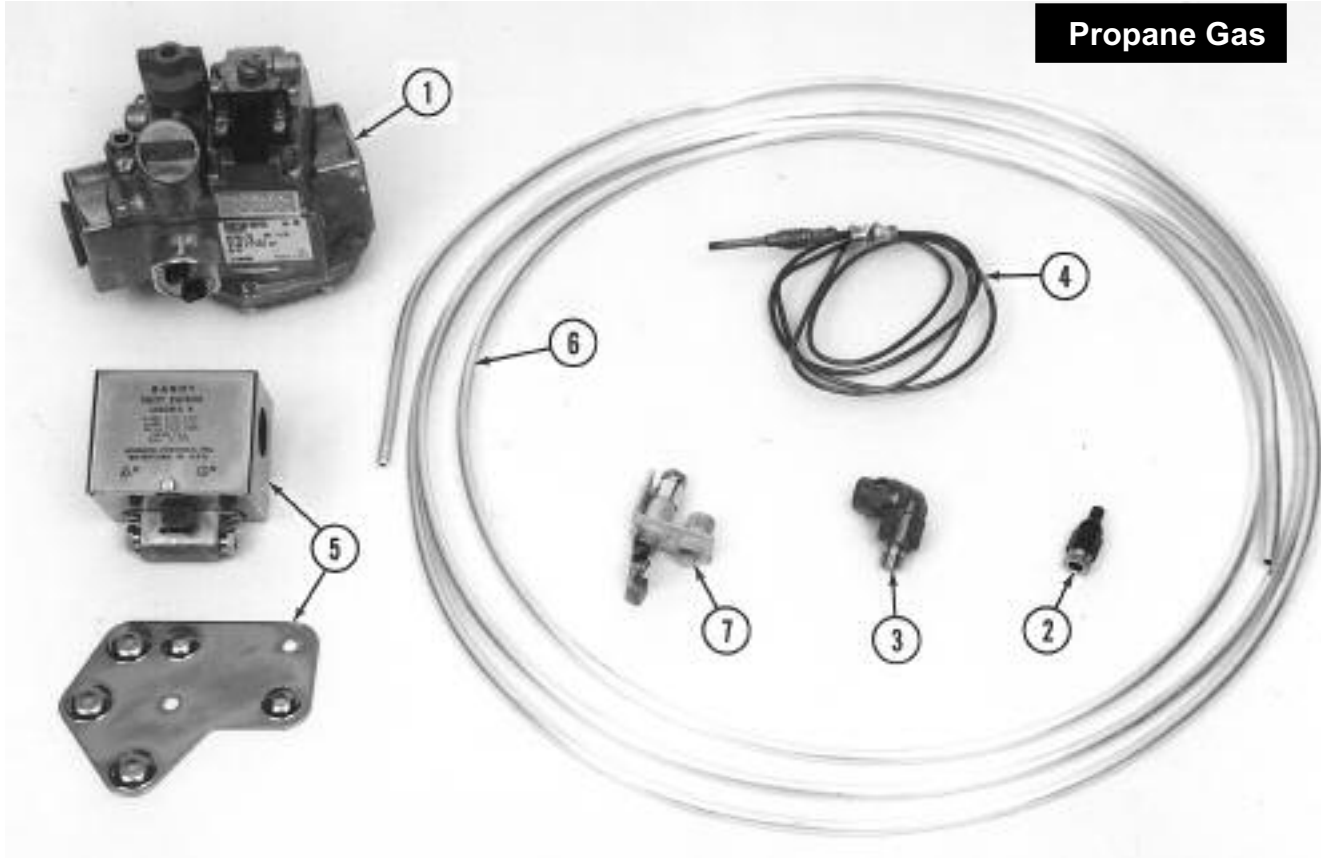
Fig. No.	Part No.	Description	Mfr.	Mfr.'s Part No.	Notes
COMPONENTS FOR NATURAL GAS					
1N	NLA	Combination Gas Valve, 3/4" X 3/4" N.P.T., 24 volt, Natural Gas (PFG 5, Series 3 and 4 only)	Essex	SX242-131111-3262	1
1N	511-044-219	Combination Gas Control Valve, 511-044-219 is obsolete and replaced by the Thermocouple to Thermopile conversion kit below	Robertshaw	5A7 501 723	1
2N	560-528-950	Natural Gas Pilot Orifice, A26, .026 Diameter	Honeywell	388146-AG	
NS	510-811-461	Thermocouple to Thermopile conversion kit, natural gas (PFG 6 & 7 only, Series 3 – 7) includes natural gas valve, lead wire, thermopile and instructions	Weil-McLain		
1N	510-811-641	Thermopile gas valve, 3/4" X 1" N.P.T., 24 volt, natural gas (PFG 6 & 7 only, Series 3 - 7)	Robertshaw	5D7 501 723	
COMPONENTS FOR PROPANE GAS					
1P	NLA	Combination Gas Valve, 3/4" X 3/4" N.P.T., 24 volt, propane gas (PFG 5, Series 3 and 4 only)			2
1P	511-044-277	Combination Gas Control Valve, 511-044-277 is obsolete and replaced by the Thermocouple to Thermopile conversion kit below	Robertshaw	5A7 502 789	
2P	560-528-957	Propane Gas Pilot Orifice, 0.010 Diameter	Honeywell	388146KR	
NS	510-811-462	Thermocouple to Thermopile conversion kit, propane gas (PFG 6 & 7 only, Series 3 – 7) includes propane gas valve, lead wire, thermopile, and instructions.	Weil-McLain		
1N	510-811-641	Thermopile gas valve, 3/4" X 1" N.P.T., 24 volt, propane gas (PFG 6 & 7 only, Series 3 – 7)	Robertshaw	5D7 502 789	
COMMON COMPONENTS					
3	511-330-186	Pilot Burner, Constant Burning Thermally Supervised	Honeywell	Q327A1642	
4		Thermocouple with Spade Terminal block, is obsolete and replaced by the Thermocouple to Thermopile conversion kit	Honeywell	Q309B1177	
5	560-742-860	Pilot Tubing, 1/8" O.D. alum. X 22-3/4" Long with Compression Fittings	Weil-McLain		
NS	511-724-259	Thermopile, 36" (PFG 6 & 7 only, Series 3 – 7)	Robertshaw	CP-2	
NS	590-850-561	Lead wire, 5" (PFG 6 & 7 only (Series 3 – 7)	Weil-McLain		
N.S.	591-391-879	Wiring Harness PFG-6,7	Weil-McLain		

PFG Intermittent Pilot
Series 4-6

Natural Gas



Propane Gas



GAS

PFG Intermittent Pilot
Series 4-6

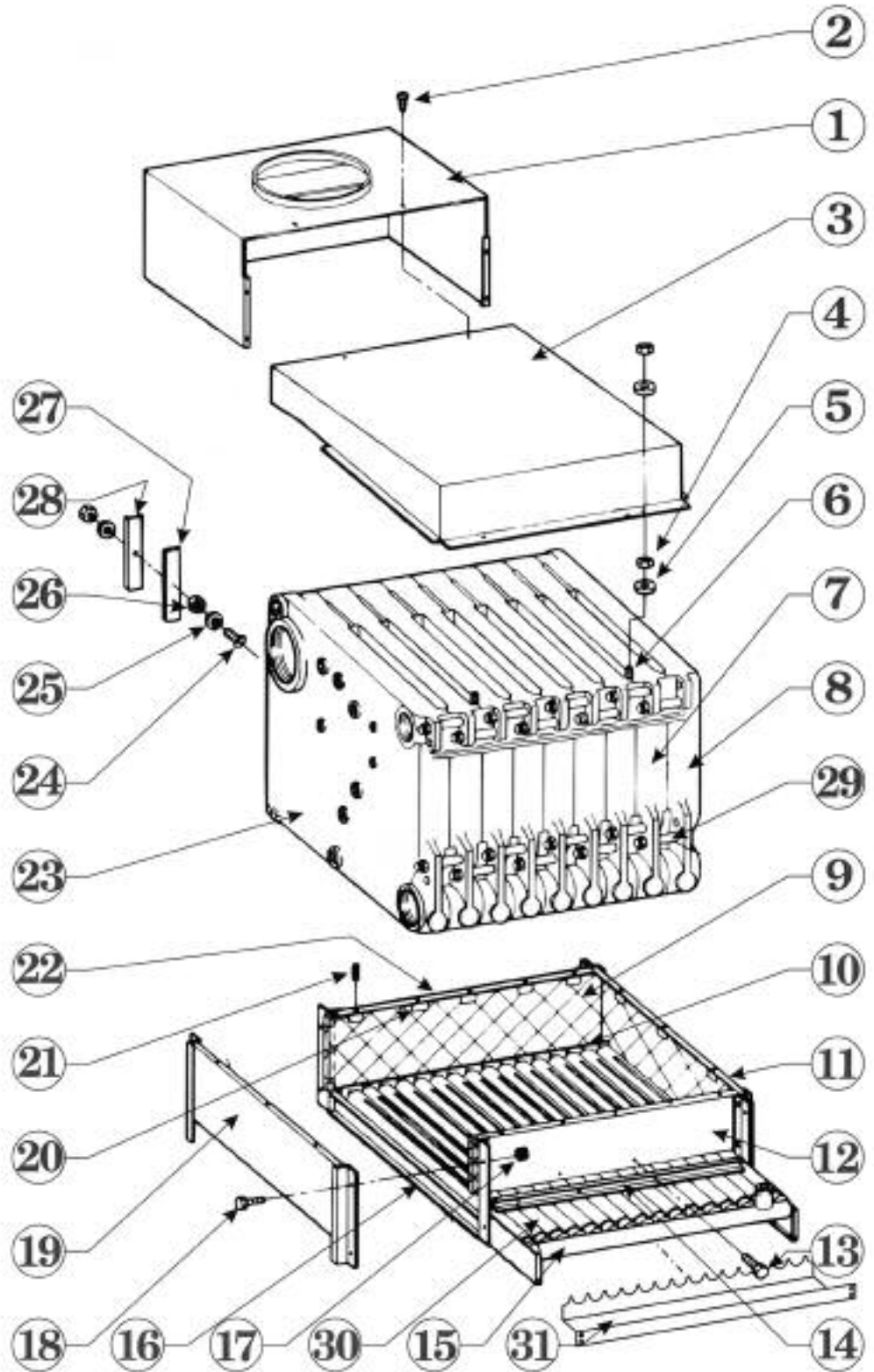
Fig. No.	Part No.	Description	Mfr.	Mfr.'s Part No.	Notes
COMPONENTS FOR NATURAL GAS					
1N	511-044-382	*Combination Gas Control Valve, 3/4" X 3/4" N.P.T., 24 Volt, PFG-5	Honeywell	VR8304P4348	
	511-044-286	*Combination Gas Control Valve, 3/4" X 1" N.P.T., 24 Volt, PFG-6/7	Robertshaw	5R1 501 723	
	511-044-287	*Combination Gas Control Valve, 1" X 1" N.P.T., 24 Volt, PFG-8	Robertshaw	5N6 501 723	
2N	511-330-097	Ignition-Sensing Control Module without Damper Molex, Series 6	United Technologies	1003-511 1003-611A	
	511-330-095	Ignition-Sensing Control Module with Damper Molex, Series 4 & 5	United Technologies	1003-510	
3N	511-330-218	Pilot Assembly with Ignition Lead and Orifice	Precision Speed Equipment	PSE-NA16	
4	512-050-230	Thermal Fuse Element 229°	Elmwood Sensors	RD226-001	
5	510-300-013	Spill Switch with Reset 210° (PFG-5)	Elmwood Sensors	2455RM-8174-0201	
COMPONENTS FOR PROPANE GAS					
1P	511-044-278	*Combination Gas Control Valve, 3/4" X 1" N.P.T., 24 Volt, PFG-6,7	Robertshaw	5R1 502 789	
	511-044-279	*Combination Gas Control Valve, 1" X 1" N.P.T., 24 Volt, PFG-8	Robertshaw	5N6 502 789	
2P					
	511-330-219	Pilot Assembly with Ignition Lead and Orifice	Precision Speed Equipment	PSE-LP16	
3	511-246-340	Pilot Shut-off Valve, 1/8" N.P.T. X 1/4" CC	Conbraco		
4	511-724-245	Thermocouple, 48"	Honeywell	Q309A2010	
5	511-330-229	Pilot Switch Box	Johnson Controls	L62GB-3C	
6	560-742-905	Aluminum Tubing, 1/4" O.D. X 60"	Weil-McLain		
7	511-330-186	Standing Pilot Burner	Honeywell	Q327A1642	
	591-391-878	Wiring Harness PFG-5 PI	Weil-McLain		
	591-391-880	Wiring Harness PFG-6,7,8 PI	Weil-McLain		
NS	510-811-405	Conversion Kit: Natural to LP PFG 6 & 7 – SP Models only	Weil-McLain		
NS	510-811-406	Conversion Kit: Natural to LP PFG 6 & 7 – PI Models only	Weil-McLain		
NS	510-811-407	Conversion Kit: Natural to LP PFG 8 – PI Models only	Weil-McLain		

GAS

NOTES

GAS

LGB Series 1 & 2 Section And Base Assembly



Base Size (Note 1)	Base Insulation Size (Note 2)
4	4
5	5
A	A
B	B
C	C
D	A and K
E	B and K
F	A and J
G	B and J

Notes:
 1. See page 9, **Base Arrangement Table**, to determine base size for your boiler.
 2. Contains 1 each front and back.

GAS

LGB Series 1 & 2 Section And Base Assembly

Fig. No.	Part No.	Size	Description	Notes
	383-300-405		Section replacement kit, Includes seals, rope and sealant for 1 joint	
1	443-300-098	4	Horizontal Draft Hood, See Table 1 (next page)	
1	443-300-099	5	Horizontal Draft Hood, See Table 1 (next page)	
1	443-300-100	A	Horizontal Draft Hood, See Table 1 (next page)	
1	443-300-101	B	Horizontal Draft Hood, See Table 1 (next page)	
1	443-300-102	C	Horizontal Draft Hood, See Table 1 (next page)	
1	443-300-103	D	Horizontal Draft Hood, See Table 1 (next page)	
1	443-300-104	E	Horizontal Draft Hood, See Table 1 (next page)	
1	443-300-105	F	Horizontal Draft Hood, See Table 1 (next page)	
1	443-300-106	G	Horizontal Draft Hood, See Table 1 (next page)	
2	Available locally		Screw, Philips # 10 x 1/2"	
3	450-019-858	4	Horizontal Collector Hood, See Table 1 (next page)	
3	450-019-859	5	Horizontal Collector Hood, See Table 1 (next page)	
3	450-019-851	A	Horizontal Collector Hood, See Table 1 (next page)	
3	450-019-852	B	Horizontal Collector Hood, See Table 1 (next page)	
3	450-019-853	C	Horizontal Collector Hood, See Table 1 (next page)	
3	450-019-854	D	Horizontal Collector Hood, See Table 1 (next page)	
3	450-019-855	E	Horizontal Collector Hood, See Table 1 (next page)	
3	450-019-856	F	Horizontal Collector Hood, See Table 1 (next page)	
3	450-019-857	G	Horizontal Collector Hood, See Table 1 (next page)	
	591-602-913		Retort Cement (Collector Hood and Base Seal)	
4	Available locally		Hex Nut, Regular 1/4" –20	
5	Available locally		Washer, Plain 1/4"	
6	Available locally		Carriage Bolt, 1/4" – 20 x 1 1/2"	
7	313-300-110		Regular Intermediate Section – 3315 – 80 P.S.I.	
8	313-300-111		Right Hand End Section – 3318 – 80 P.S.I.	
	592-800-005		9" Dia. Top Elastomer Seal (1 per joint)	
	592-800-007		6" Dia. Bottom Elastomer Seal (1 per joint)	
	591-706-214		Flue Brush, 123 DMG	
9		4	Base Front and Back Insulation, See Tables 1 & 2 (next page)	
9		5	Base Front and Back Insulation, See Tables 1 & 2 (next page)	
9		A	Base Front and Back Insulation, See Tables 1 & 2 (next page)	
9		B	Base Front and Back Insulation, See Tables 1 & 2 (next page)	
9		C	Base Front and Back Insulation, See Tables 1 & 2 (next page)	
9		J	Base Front and Back Insulation, See Tables 1 & 2 (next page)	
9		K	Base Front and Back Insulation, See Tables 1 & 2 (next page)	
	591-221-126		Insulation End Panels, Left and Right	
10	450-003-600	4	Burner Rest, See Table 1 (next page)	
10	450-003-601	5	Burner Rest, See Table 1 (next page)	
10	450-003-560	A	Burner Rest, See Table 1 (next page)	
10	450-003-561	B	Burner Rest, See Table 1 (next page)	
10	450-003-562	C	Burner Rest, See Table 1 (next page)	
10	450-003-563	D	Burner Rest, See Table 1 (next page)	
10	450-003-564	E	Burner Rest, See Table 1 (next page)	
10	450-003-565	F	Burner Rest, See Table 1 (next page)	
10	450-003-566	G	Burner Rest, See Table 1 (next page)	
	450-003-602	4	Burner Stop, See Table 1 (next page)	
	450-003-603	5	Burner Stop, See Table 1 (next page)	
	450-003-568	A	Burner Stop, See Table 1 (next page)	
	450-003-569	B	Burner Stop, See Table 1 (next page)	
	450-003-570	C	Burner Stop, See Table 1 (next page)	
	450-003-571	D	Burner Stop, See Table 1 (next page)	
	450-003-572	E	Burner Stop, See Table 1 (next page)	
	450-003-573	F	Burner Stop, See Table 1 (next page)	
	450-003-574	G	Burner Stop, Size G, See Table 1 (next page)	
	450-003-604	4	Combustion Air Baffle for Base, See Table 1 (next page)	

LGB Series 1 & 2 Section And Base Assembly

	450-003-605	5	Combustion Air Baffle for Base, See Table 1	
	450-003-575	A	Combustion Air Baffle for Base, See Table 1	
	450-003-576	B	Combustion Air Baffle for Base, See Table 1	
	450-003-577	C	Combustion Air Baffle for Base, See Table 1	
	450-003-578	D	Combustion Air Baffle for Base, See Table 1	
	450-003-579	E	Combustion Air Baffle for Base, See Table 1	
	450-003-580	F	Combustion Air Baffle for Base, See Table 1	
	450-003-581	G	Combustion Air Baffle for Base, See Table 1	
11, 19	383-300-165		Base End Panel	
	591-221-126		Insulation End Panels, Left and Right	
	450-003-589		Right Hand Base Leg	
	450-003-590		Left Hand Base Leg	
12	450-003-543	4	Base Front Panel, See Table 1	
12	450-003-544	5	Base Front Panel, See Table 1	
12	450-003-545	A	Base Front Panel, See Table 1	
12	450-003-546	B	Base Front Panel, See Table 1	
12	450-003-547	C	Base Front Panel, See Table 1	
12	450-003-548	D	Base Front Panel, See Table 1	
12	450-003-549	E	Base Front Panel, See Table 1	
12	450-003-550	F	Base Front Panel, See Table 1	
12	450-003-551	G	Base Front Panel, See Table 1	
13	Available Locally		Screw, Hex Washer Head Slotted 10-32 x 3/8"	
14	450-003-606	4	Base Access Shield, See Table 1	
14	450-003-607	5	Base Access Shield, See Table 1	
14	450-003-582	A	Base Access Shield, See Table 1	
14	450-003-583	B	Base Access Shield, See Table 1	
14	450-003-584	C	Base Access Shield, See Table 1	
14	450-003-585	D	Base Access Shield, See Table 1	
14	450-003-586	E	Base Access Shield, See Table 1	
14	450-003-587	F	Base Access Shield, See Table 1	
14	450-003-588	G	Base Access Shield, See Table 1	
15	591-125-908	4	Manifold, See Table 1	
15	591-125-909	5	Manifold, See Table 1	
15	591-125-910	A	Manifold, See Table 1	
15	591-125-911	B	Manifold, See Table 1	
15	591-125-912	C	Manifold, See Table 1	
15	591-125-913	D	Manifold, See Table 1	
15	591-125-914	E	Manifold, See Table 1	
15	591-125-915	F	Manifold, See Table 1	
15	591-125-916	G	Manifold, See Table 1	
16	450-003-567		Base Cross Tie	
17	Available Locally		Nut, Flange whiz-Lock 1/4" – 20	
18	Available Locally		Screw, Hex Head Cap 1/4" – 20 x 3/4"	
20	562-650-104		Support Clip for Base Insulation	
21	562-930-236		Roll Pin 1/8 x 2"	
22	450-003-598	4	Base Back Panel, See Table 1	
22	450-003-599	5	Base Back Panel, See Table 1	
22	450-003-553	A	Base Back Panel, See Table 1	
22	450-003-554	B	Base Back Panel, See Table 1	
22	450-003-555	C	Base Back Panel, See Table 1	
22	450-003-556	D	Base Back Panel, See Table 1	
22	450-003-557	E	Base Back Panel, See Table 1	
22	450-003-558	F	Base Back Panel, See Table 1	
22	450-003-559	G	Base Back Panel, See Table 1	
23	313-300-109		Left Hand End Section – 3314 – 80 P.S.I.	
24	Available Locally		Carriage Bolt, 1/4" – 20 x 1 3/4"	
25	Available Locally		Washer, Plain 1/4"	

LGB base insulation part numbers have changed. The front and back insulation set, Item 9, is replaced with the following part numbers. Note: Both a front and a rear insulation piece must be ordered now, instead of a set.

Also on the bottom of page 261 in the lower right of Table 2, the K's are replaced with an E and the J's are replaced with a D.

On the larger bases, 2 pieces make up the front insulation and 2 pieces make up the rear insulation.

D base = A front and rear plus an E front and rear

E base = B front and rear plus an E front and rear

F base = A front and rear plus a D front and rear

G base = B front and rear plus a D front and rear

Item	Part Number	Size	Description
9	591-221-330	4	Base insulation front (See tables 1 & 2, next page)
9	591-221-331	4	Base insulation rear (See tables 1 & 2, next page)
9	591-221-332	5	Base insulation front (See tables 1 & 2, next page)
9	591-221-333	5	Base insulation rear (See tables 1 & 2, next page)
9	591-221-334	A	Base insulation front (See tables 1 & 2, next page)
9	591-221-335	A	Base insulation rear (See tables 1 & 2, next page)
9	591-221-336	B	Base insulation front (See tables 1 & 2, next page)
9	591-221-337	B	Base insulation rear (See tables 1 & 2, next page)
9	591-221-338	C	Base insulation front (See tables 1 & 2, next page)
9	591-221-339	C	Base insulation rear (See tables 1 & 2, next page)
9	591-221-340	D	Base insulation front (See tables 1 & 2, next page)
9	591-221-341	D	Base insulation rear (See tables 1 & 2, next page)
9	591-221-342	E	Base insulation front (See tables 1 & 2, next page)
9	591-221-343	E	Base insulation rear (See tables 1 & 2, next page)

LGB Series 1 & 2 Section And Base Assembly

26	Available Locally		Hex Nut, Regular 1/4" – 20
27	591-221-115		Cleanout Plate Insulation 3 x 10 1/2 x 1/2 (1 per joint)
28	450-029-549		Cleanout Plate (1 per joint)
29	560-134-480		5/8-11 x 8" Draw Rod w/o Nut (3 req'd per joint)
	561-928-224		5/8-11" Nut (2 per draw rod)
	562-248-710		5/8" Washer (1 per draw rod)
	590-735-140		1/2" Dia Sealing Rope (5' per joint) – Type HD-500
	591-641-850		Construction Adhesive for Sealing Rope (11 oz. Tube)
30	512-200-050		Burner, Tubular Steel, Regular
	512-200-055		Burner, Tubular Steel, for Pilot
	560-528-976		Main Burner Orifice, Propane Gas, 2.4 mm
	560-528-979		Main Burner Orifice, Natural Gas, 3.95 mm
	423-300-420		Flame Sensor Bracket
	460-005-624		Pilot Bracket
31	450-003-350	4	Burner shield, See Table 1
31	450-003-352	5	Burner shield, See Table 1
31	450-003-354	A	Burner shield, See Table 1
31	450-003-356	B	Burner shield, See Table 1
31	450-003-358	C	Burner shield, See Table 1
31	450-003-360	D	Burner shield, See Table 1
31	450-003-362	E	Burner shield, See Table 1
31	450-003-364	F	Burner shield, See Table 1
31	450-003-366	G	Burner shield, See Table 1

TABLE 1
Size Designator According to Boiler Size

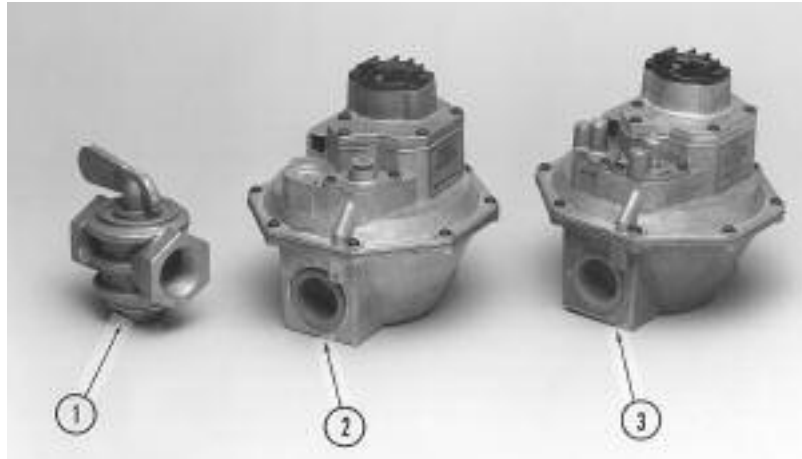
Boiler Size	Size Designator		Boiler Size	Size Designator	
	Left Base	Right Base		Left Base	Right Base
LGB-4	4	-	LGB-14	B	C
LGB-5	5	-	LGB-15	C	C
LGB-6	A	-	LGB-16	C	D
LGB-7	B	-	LGB-17	D	D
LGB-8	C	-	LGB-18	D	E
LGB-9	D	-	LGB-19	E	E
LGB-10	E	-	LGB-20	E	F
LGB-11	F	-	LGB-21	F	F
LGB-12	G	-	LGB-22	F	G
LGG-13	B	B	LGB-23	G	G

TABLE 2
Base Front and Back Insulation According To Size Designator

Size Designator	Base Front and Back Insulation	
	Designator	Designator
4	4	-
5	5	-
A	A	-
B	B	-
C	C	-
D	A	E
E	B	E
F	A	D
G	B	D

NOTE: Refer to Table 1 to Key Size Designator According to Boiler Size.

LGB Series 2 Main Gas Control Train Components Natural Gas



TO SELECT PARTS: Determine control train for proper LGB boiler size from Table 1.
Refer to Table 2 for individual components and sizes.

TABLE 1 – LGB Main Gas Control Trains Arrangement

LGB SERIES 1 BOILER SIZE	MAIN GAS CONTROL TRAINS		LGB SERIES 1 BOILER SIZE	MAIN GAS CONTROL TRAINS	
	7.0" W.C. Natural Gas Supply Pressure	5.0" W.C. Natural Gas Supply Pressure		7.0" W.C. Natural Gas Supply Pressure	5.0" W.C. Natural Gas Supply Pressure
LGB-6	AB	AB	LGB-15	J	J
LGB-7	AB	AB	LGB-16	J	J
LGB-8	CD	CD	LGB-17	J	J
LGB-9	CD	CD	LGB-18	K	K
LGB-10	EFG	E	LGB-19	L	M
LGB-11	EFG	FG	LGB-20	L	N
LGB-12	EFG	FG	LGB-21	*L	*O
LGB-13	H	H	LGB-22	*L	*O
LGB-14	I	I	LGB-23	*L	*O

- With Special Control Carton (Includes Gas Pressure Switch, Switch Bracket, Connecting Tubing)

TABLE 2 – LGB Main Gas Control Trains Individual Components/*-

Fig. No.		MAIN GAS CONTROL TRAINS																		
		7" W.C. Natural Gas Supply Pressure								5" W.C. Natural Gas Supply Pressure										
		AB	CD	EFG	H	I	J	K	L	AB	CD	E	FG	H	I	J	K	M	N	O
1	Manual Main Shut-Off Gas Valve, 1" N.P.T.	X	X		X	X	X	X												
	Manual Main Shut-Off Gas Valve, 1 1/4" N.P.T.			X				X	X	X	X			X	X	X	X			
	Manual Main Shut-Off Gas Valve, 1 1/2" N.P.T.											X					X	X	X	
	Manual Main Shut-Off Gas Valve, 2" N.P.T.												X						X	X
2	Safety Gas Valve, 1" N.P.T.	X	X		X	X	X	X												
	Safety Gas Valve, 1 1/4" N.P.T.			X					X	X	X			X	X	X	X			
	Safety Gas Valve, 1 1/2" N.P.T.											X	X				X	X	X	X
3	Combination Gas Control Valve, 1" N.P.T.	X	X		X	X	X	X												
	Combination Gas Control Valve, 1 1/4" N.P.T.			X					X	X	X			X	X	X	X			
	Combination Gas Control Valve, 1 1/2" N.P.T.												X	X			X	X	X	X

Main Gas Control Train Components Universal Control System - Natural Gas LGB (Series 2)

Fig #	Part No.	Description	Mfg.	Mfg's Part No.
-------	----------	-------------	------	----------------

Manual – Main Shut-Off Gas Valves

1	511-246-325	Manual – Main Shut-Off Gas Valve, 1" N.P.T., with Downstream Pressure Tapping, 1/8" N.P.T.	Conbraco	50-403-02
	511-246-325	Manual – Main Shut-Off Gas Valve, 1" N.P.T., with Downstream Pressure Tapping, 1/8" N.P.T.	Key	223-142111
	511-246-330	Manual – Main Shut-Off Gas Valve, 1 1/4" N.P.T., with Downstream Pressure Tapping, 1/8" N.P.T.	Conbraco	50-503-06
	511-246-330	Manual – Main Shut-Off Gas Valve, 1 1/4" N.P.T., with Downstream Pressure Tapping, 1/8" N.P.T.	Key	224-142111
	511-246-300	Manual – Main Shut-Off Gas Valve, 1" N.P.T., with Downstream Pressure Tapping, 1/8" N.P.T.	Conbraco	50-603-06
	511-246-305	Manual – Main Shut-Off Gas Valve, 2" N.P.T., with Downstream Pressure Tapping, 1/8" N.P.T.	Conbraco	50-703-02

Safety Gas Valves

2	511-044-191	Gas Valve, without regulator, 1"	Honeywell	V8943A-1103
	511-044-192	Gas Valve, without regulator, 1 1/4"	Honeywell	V8943A-1111
	511-044-193	Gas Valve, without regulator, 1 1/2"	Honeywell	V8943A-1129
	383-300-425	1" LGB Conversion to V8943A Kit (to convert from V88 or V8843P to V8943A)	Weil-McLain	
	383-300-426	1" LGB Conversion to V8943A Kit (to convert from V88 or V8843P to V8943A)	Weil-McLain	
	383-300-427	1 1/2" LGB Conversion to V8943A Kit (to convert from V88 or V8843P to V8943A)	Weil-McLain	

Combination Gas Control Valves

3	511-044-214	Combination Gas Control Valve, 1" N.P.T., 24 Volt, with Low Fire Operator, High Fire Operator, Main Pressure Regulator and 1/8" N.P.T. Downstream Pressure Tapping	Honeywell	V8944N1053
	511-044-215	Combination Gas Control Valve, 1 1/4" N.P.T., 24 Volt, with Low Fire Operator, High Fire Operator, Main Pressure Regulator and 1/8" N.P.T. Downstream Pressure Tapping	Honeywell	V8944N1061
	511-044-216	Combination Gas Control Valve, 1 1/2" N.P.T., 24 Volt, with Low Fire Operator, High Fire Operator, Main Pressure Regulator and 1/8" N.P.T. Downstream Pressure Tapping	Honeywell	V8944N1079

LGB 4-5 Gas Valve

NS	511-044-287	Gas Valve, 1" N.P.T., 24 Volt, with 1/8" N.P.T. and 1/8" N.P.T. Downstream Pressure Tapping, LGB-4 & 5 only, Robertshaw 7000 DERHC-S7C	Grayson	5N6-501-723
----	-------------	--	---------	-------------

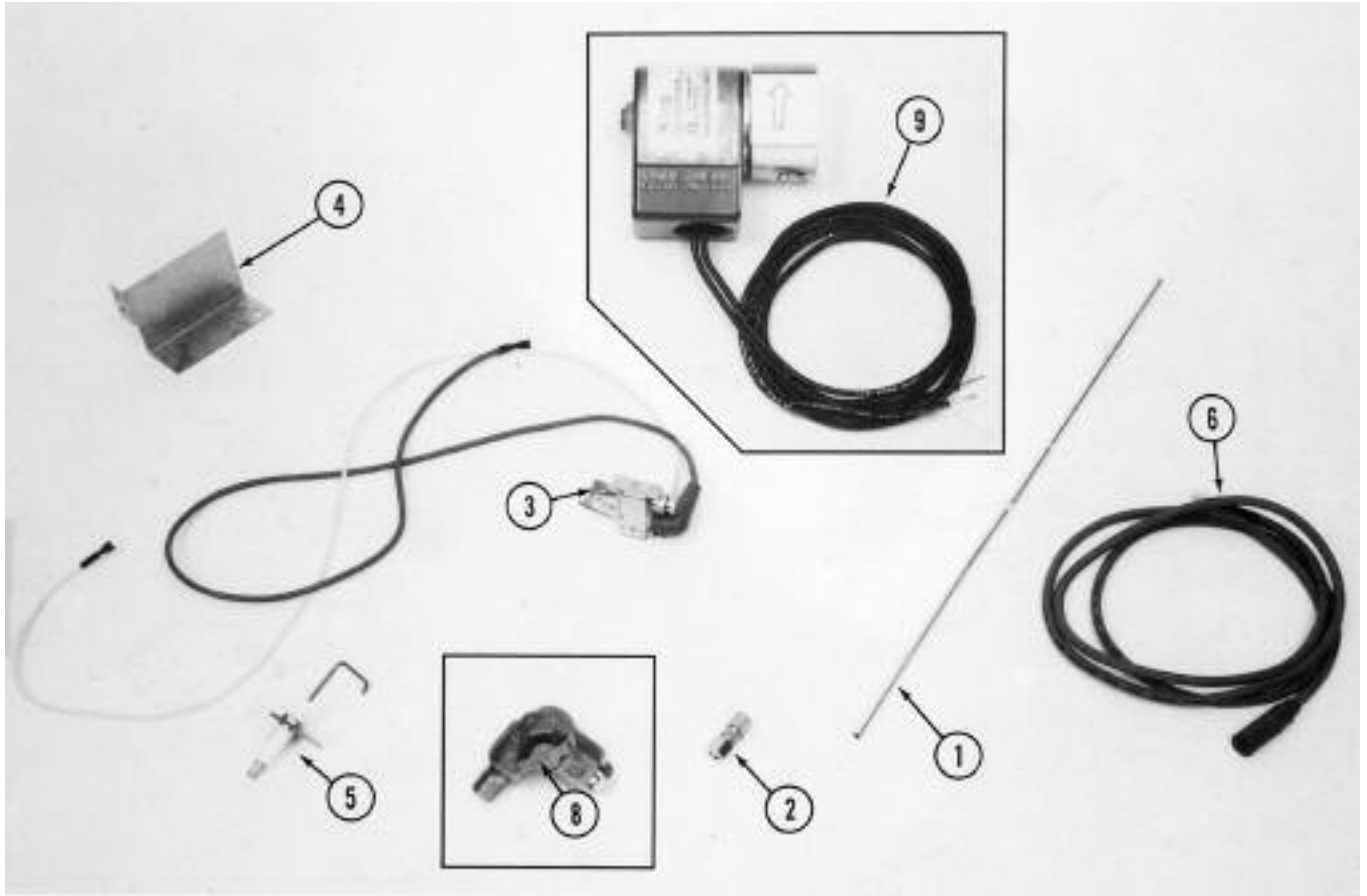
Gas Pressure Switch and Accessories

	511-624-555	High Gas Pressure Switch, SPDT, Manual Reset, Lockout on Pressure Rise, Diaphragm Type 3.0-21.0" W.C. Range, 1.0-3.0" W.C. Differential, 1/4" N.P.T. Female Vent Connector, with Switch Position Indicator (2 Required for LGB-21 through LGB-23)	Honeywell	C645B1013
	511-624-556	Gas Pressure Switch Mounting Bracket Assembly for C645 (2 Required for LGB-21 through LGB-23)	Honeywell	15865AC
	561-643-451	Union, 1/8" Male N.P.T. x 1/4" CC (4 Required for LGB-21 through LGB-23)	Weil-McLain	
	560-742-915	Aluminum Tubing, 1/4" O.D. x 100" Roll	Weil-McLain	

NOTES

GAS

LGB Series 2 Pilot and Flame Sensor



GAS

Fig. No.	Part No.	Description	Mfg.	Mfg.'s Part No.	4-5	6-12	13-23
LGB PILOTS AND FLAME SENSOR							
1	560-742-880	Pilot Line Aluminum Tubing, 2 pieces required, 1/4" Dia. X 20" Long	Weil-McLain			1	2
2	561-643-450	Pilot Line Union, 1/4" CC	Weil-McLain			1	2
3N	511-330-221	Pilot Assy Kit with orifice, and pilot tube fitting	PSE	PSE-NA16	1	1	2
4	460-005-624	Combination Pilot Burner Mounting Bracket	Weil-McLain			1	2
5	511-724-274	Main Flame Sensor	Honeywell	MH 392956		1	2
6	591-391-790	Sensing Cable for Main Flame Sensor, 72" Long	Ristance	180749		1	2
7	423-300-420	Main Flame Sensor Mounting Bracket	Weil-McLain			1	2
8	511-246-340	Manual Shut-Off Pilot Gas Valve, 1/8" N.P.T. x 1/4" CC	Conbraco	56-603-01		1	2
			Key	P2R			
9	511-044-039	Pilot Line Solenoid Gas Valve, 1/4" N.P.T., 24 Volt	Honeywell	V8046C1014		1	2
			Johnson Controls	H91ABG-5C			
NS	511-044-287	Gas Valve, 1" N.P.T., Robertshaw 7000DERHC-S7C	Grayson	5N6-501-723	1		

LGB Series 2 Propane Gas

Adds Constant Burning, Thermally Supervised Pilot to Standard Controls

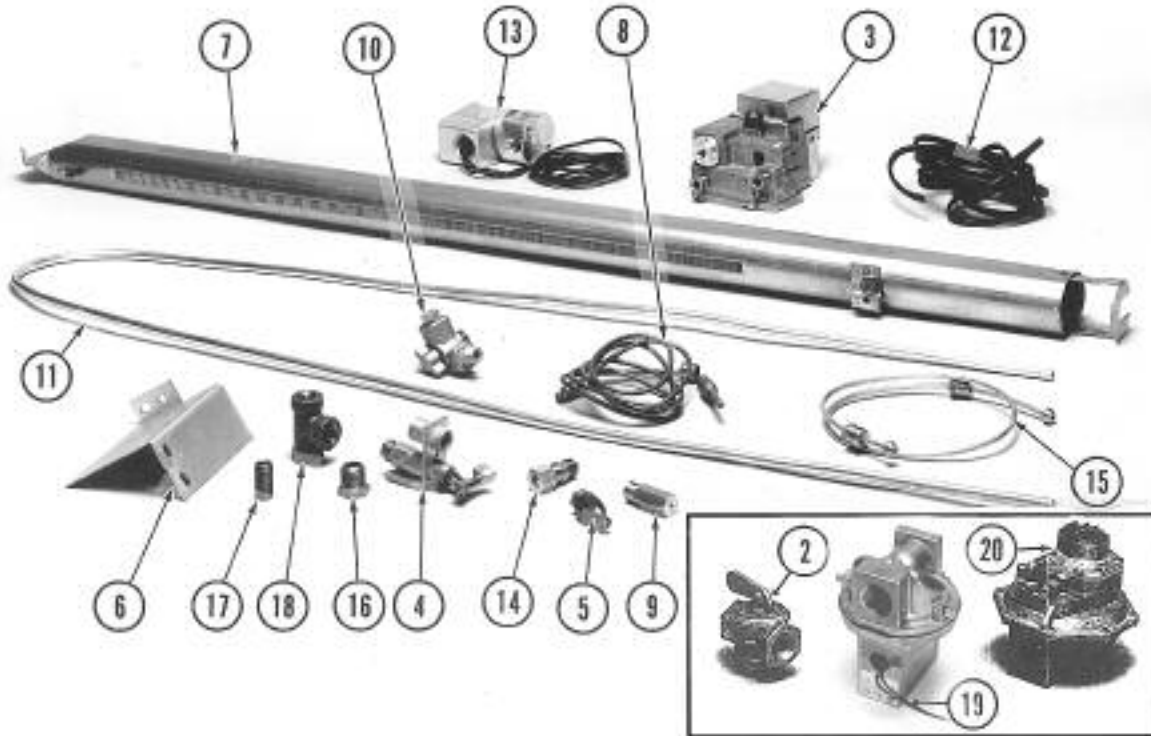


Fig. No.	Part No.	Description	Mfg.	Mfg.'s Part No.
2	511-246-325	Manual Main Shut-Off Gas Valve, 1" N.P.T.	Conbraco	50-403-02
			Key	223-142111
2	511-246-330	Manual Main Shut-Off Gas Valve, 1 1/4" N.P.T.	Conbraco	50-503-06
			Key	224-142111
3	511-330-229	Pilot Switch Box with built-In Pilot Filter, 1/4" CC Inlet and Outlet	Johnson Controls	L62GB-3C
4	511-330-186	Pilot Burner, Constant Burning, Thermally Supervised	Honeywell	Q327A1642
	383-300-410	Standing Pilot Burner Repair Kit, Propane, Includes pilot burner and orifice		
NS	511-330-222	Electronic Pilot Burner with spark and sense rod, Propane	PSE	LP-16
5	560-528-957	Propane Pilot Orifice, 0.010 Dia., for Q327A	Honeywell	388146KR
6	460-005-624	Pilot Mounting Bracket for both pilot burners	Weil-McLain	
7	512-200-055	LGB Main Burner with Pilot Bracket	Weil-McLain	
8	511-724-245	Thermocouple, 48" Long, for Q327A Pilot	Honeywell	Q309A2010
9	560-528-976	LGB Main Burner Orifice, 2.40 mm for Propane	Weil-McLain	
10	511-246-340	Manual Shut-Off Pilot Gas Valve, 1/8" N.P.T. x 1/4" CC	Conbraco	
			Key	P2R
11	560-742-880	Pilot Line Aluminum Tubing, 1/4" O.D. x 20" (2 pieces required)	Weil-McLain	
12	590-849-220	Control Circuit Wiring, 18 Gauge (Feet Required)	Weil-McLain	
13	511-044-039	Pilot Line Solenoid Gas Valve, 1/4" N.P.T., 24 Volt	Honeywell	V8046C1014
			Johnson	H91ABG-5C
14	561-643-450	Union, 1/4" CC, Brass	Weil-McLain	
15	560-742-860	Bleed Line Aluminum Tubing, 1/8" O.D. x 22 3/4" Long	Weil-McLain	
16	560-807-360	Bushing, Black 1/4" N.P.T. x 1/8"	Weil-McLain	
17	561-326-200	Nipple, Black 1/8" N.P.T. Close	Weil-McLain	
18	561-541-199	Tee, Black 1/8" N.P.T.	Weil-McLain	
19	383-300-425	1" LGB Conversion to V8943A Kit (to convert from V88 or V8843P to V8943A)	Weil-McLain	
	383-300-426	1 1/4" LGB Conversion to V8943A Kit (to convert from V88 or V8843P to V8943A)	Weil-McLain	
20	511-044-346	Combination Gas Valve, 1" N.P.T., Propane	Honeywell	V8944L1033
	511-044-218	Combination Gas Valve, 1 1/4" N.P.T., Propane	Honeywell	V8944L1041
NS	511-044-279	Combination Gas Valve, 1" N.P.T. Propane 7000DERHC-LP, LGB 4-5 only	Robertshaw	5N6-502-789

GAS

LGB Series 2 Universal Control System and CSD-1 Controls

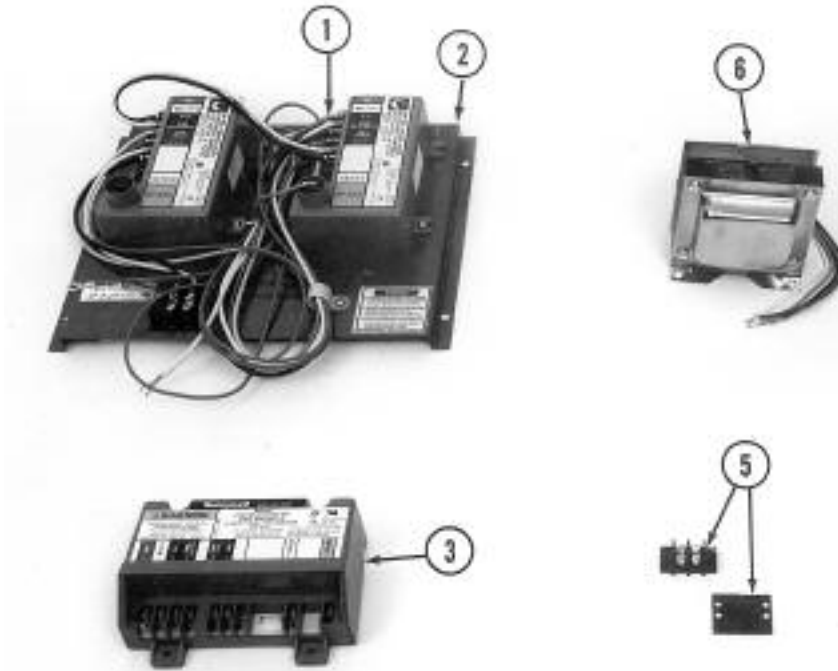
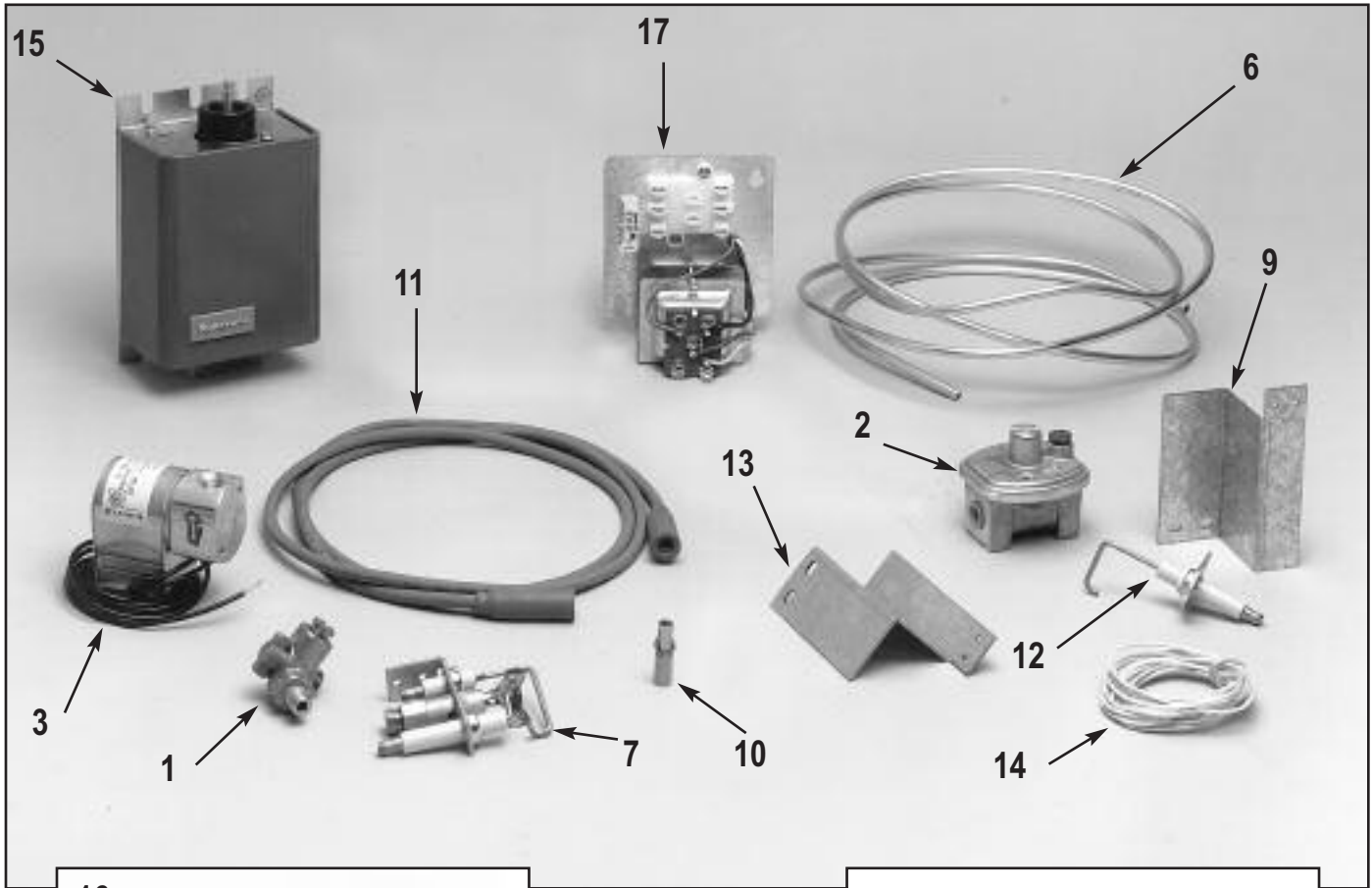


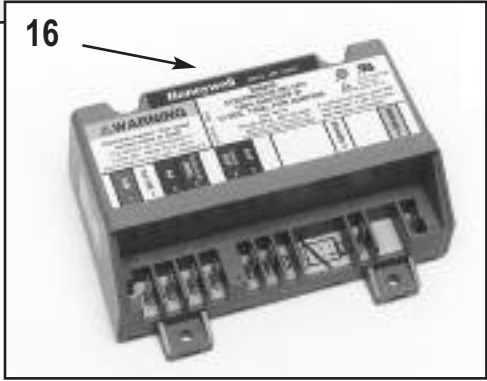
Fig. No.	Part No.	Description	Mfg.	Mfg.'s Part No.	Qty Per Boiler Size		
					4-5	6-12	13-23
UNIVERSAL CONTROLS IGNITION/SENSING CONTROL MODULES					4-5	6-12	13-23
2	511-330-097	Flame Sense Module, 24 Volt	UT	1003-611	1	1	2
1	510-811-456	Universal Control System (UCS) Ignition/Sensing Control Module, Complete	Weil-McLain				
3	511-330-097	Intermittent Pilot Ignition Module, 24 Volt	UT	1003-611		1	2
5	512-050-013	Terminal Block	Weil-McLain		1	1	2
6	511-842-364	Control Transformer, 120/24 Volt, 75 VA Foot Mounted	Honeywell	AT175C1004	1	1	2
			Johnson Controls	Y66ACD-1C			

CSD-1 CONTROLS					5	6-12	13-20
NS	511-330-086	Pilot Proving Module	United Technologies	1003-615	1	1	2
NS	511-330-085	Main Flame Proving Module	United Technologies	1003-60	1	1	2
NS	510-350-226	Impulse Relay	Potter Brumfield	S89R-11 ABD1-24	1	1	2
NS	511-624-580	Push Button Switch	Honeywell	AML21CBA2AA	1	1	2
			Eaton Controls	ZZ1K11810K			
NS	511-624-581	Lens Cover	Honeywell	AML51-C10R	1	1	2
			Eaton Controls	ZZ0PM0ZA	1	1	2
NS	Available Locally	Light Bulb	Texas Instruments	3/4 #85	1	1	2
NS	510-933-195	Pilot Regulator					

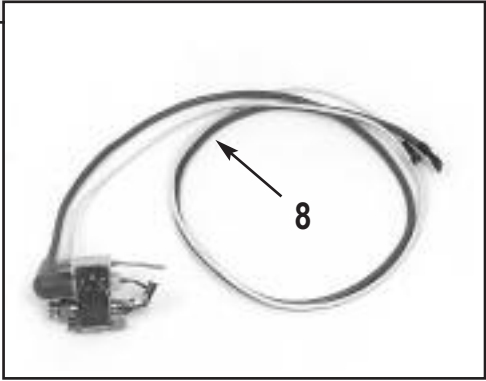
LGB Series 2 IRI and FM Control System



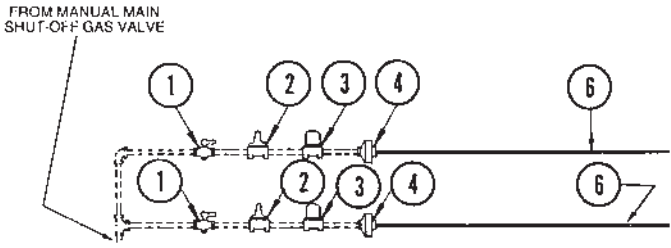
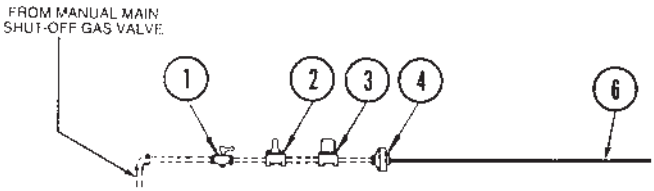
GAS



**PILOT TRAIN GAS PIPING DIAGRAM
LGB-6 THROUGH LGB-12 BOILERS**



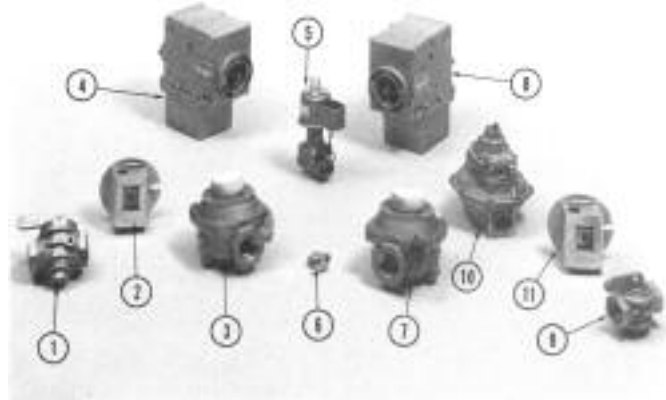
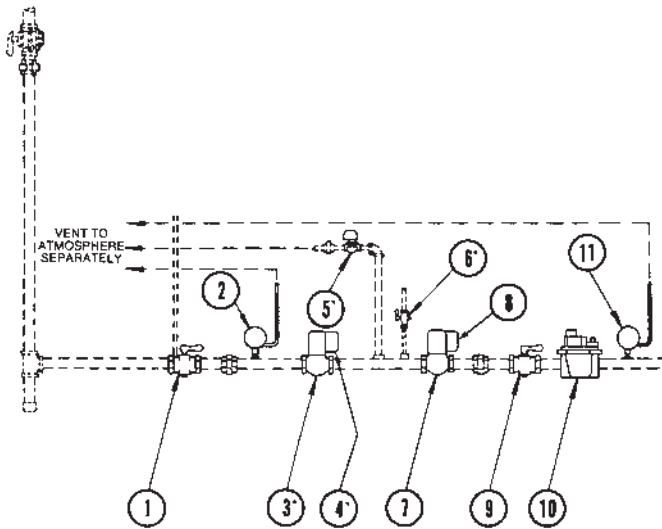
**PILOT TRAIN GAS PIPING DIAGRAM
LGB-13 THROUGH LGB-23 BOILERS**



LGB Series 2 IRI and FM Control System

Fig. No.	Part No.	Description	Mfr.	Mfr.'s Part No.	Qty Per Boiler Size	
					6-12	13-23
IRI AND FM PILOT LINE GAS TRAIN COMPONENTS						
1	511-246-345	Pilot Line Manual Shut-Off Gas Valve, 1/4" N.P.T. Male x 1/4" N.P.T. Female	Conbraco	53-300-01	1	2
2	510-933-195	Pilot Line Gas Pressure Regulating Valve, 3.5-7.0" W.C. Outlet Adjustment Range, 1/4" N.P.T.	Maxitrol	RV20VL-22	1	2
3	511-044-040	Pilot Line Solenoid Gas Valve, Quick Opening, 120 Volt, 1/4" N.P.T.	Johnson	H91ABA-12C	1	2
6	560-742-915	Pilot Line Aluminum Tubing, 1/4" O.D. x 100" Coil	Weil-McLain		1	2
IRI AND FM PILOTS, FLAME SENSING AND IGNITION COMPONENTS						
7	511-330-181	Combination Pilot Burner with Flame Rod, Ignition Electrode, and Natural Gas Orifice, 0.026" Dia.	Honeywell	Q179C 1009	1	1
8	511-330-221	Combination Pilot Burner with Ignition Sensing Electrode, Natural Gas Orifice and Ignition Wire	PSE	NA-16		1
9	460-005-624	Combination Pilot Burner Mounting Bracket	Weil-McLain		1	2
10	591-850-140	Rajah Connector, Female, Connects Sensing Cable to Q179C Pilot	Weil-McLain		1	1
11	591-391-798	Ignition Cable, 36" Long, for Q179C Pilot	Weil-McLain		1	1
12	511-724-274	Main Flame Sensor	Honeywell	MH 392956	1	1
13	423-300-420	Main Flame Sensor Mounting Bracket	Weil-McLain		1	1
14	590-849-236	Flame Rod Cable for Main Flame Sensor and Q179C Pilot (Feet Required)	Honeywell	R129 8020	4'	4'
15	511-802-014	Solid State Ignition Spark Generator, 120 Volt/15,000 Volt, 66VA Primary	Honeywell	Q624 A1014	1	1
16	511-330-097	Pilot Proving Ignition/Sensing Control Module, 24 Volt, Q348A Pilot	Honeywell	S8620 C1003	-	1
16	511-330-097	Pilot Proving Ignition/Sensing Control Module, 24 Volt, Q348A Pilot	United Technologies	1003-511	-	1
17	510-312-162	Control Transformer/Relay Receptacle 120/24 Volt, 40 VA, Plate Mounted, for Universal Control System (UCS) Ignition Sensing Control	Honeywell	AT72 H1002	-	1
17	510-312-162	Control Transformer/Relay Receptacle 120/24 Volt, 40 VA, Plate Mounted, for Universal Control System (UCS) Ignition Sensing Control	White-Rodgers	S84-19	-	1
17	510-312-162	Control Transformer/Relay Receptacle 120/24 Volt, 40 VA, Plate Mounted, for Universal Control System (UCS) Ignition Sensing Control	White-Rodgers	599-9002	-	1

LGB Series 2 IRI and FM Main Gas Control Train Components For 7" W.C. Natural Gas Supply Pressure



GAS

Fig. No.	Part No.	Description	Mfg.	Mfg.'s Part No.	LGB Boiler Size
1,9	511-246-325	Manual Main Shut-Off Gas Valve, 1" N.P.T., with 1/8" N.P.T. Female Pilot Take-Off Tapping and 1/4" N.P.T. Female Downstream Pressure Tapping, Lubricated Type	Conbraco	50-503-02	5, 6, 7
1,9	511-246-330	Manual Main Shut-Off Gas Valve, 1 1/4" N.P.T., with 1/8" N.P.T. Female Pilot Take-Off Tapping and 1/4" N.P.T. Female Downstream Pressure Tapping, Lubricated Type	Conbraco	50-503-06	8,9,10
			Key	224-142111	
1,9	511-246-300	Manual Main Shut-Off Gas Valve, 1 1/2" N.P.T., with 1/8" N.P.T. Female Pilot Take-Off Tapping and 1/4" N.P.T. Female Downstream Pressure Tapping, Lubricated Type	Conbraco	50-603-06	11-18
1,9	511-246-305	Manual Main Shut-Off Gas Valve, 2" N.P.T., with 1/8" N.P.T. Female Pilot Take-Off Tapping and 1/4" N.P.T. Female Downstream Pressure Tapping, Lubricated Type	Conbraco	50-703-06	19-23
2	511-624-550	Low Gas Pressure Switch, SPDT, Manual Reset, Lockout on Pressure Fall, Diaphragm Type, 3.0-21.0" W.C. Range, 1.0-3.0" W.C. Differential, 1/4" N.P.T. Female Connector, 1/8" N.P.T. Female Vent Connector, with Switch Position Indicator	Honeywell	C645A1030	All Sizes
3,7	510-744-315	Motorized Gas Valve Small Body, with 1/4" N.P.T. Female Downstream Pressure Tapping	Honeywell	V5097A1004	5 - 17
NS	511-044-170	1" Pipe flange adapter for Gas Valve Body	Honeywell	32000109-002	5,6,7
NS	511-044-171	1 1/4" Pipe flange adapter for Gas Valve Body	Honeywell	32000109-003	8,9,10
NS	511-044-172	1 1/2" Pipe flange adapter for Gas Valve Body	Honeywell	32000109-004	11-18
NS	511-044-173	2" Pipe flange adapter for Gas Valve Body	Honeywell	32000109-005	19-23
4,8	510-744-317	Fluid Power Gas Valve Actuator, On Off, 120 volt	Honeywell	V4055A1098	5 - 23

LGB Series 2
IRI and FM Main Gas Control Train Components
For 7" W.C. Natural Gas Supply Pressure

NS*	511-044-176	Adapter for Solenoid Vent Valve (fits small valve body)	Honeywell	32002513	All sizes
5*	511-046-340	Solenoid Vent Valve, Normally Open, Quick Closing, 120 Volt, 3/4" N.P.T.	ASCO	S262SA02 N3EG5	5 – 13
			Honeywell	V4295S1005	
5*	511-046-342	Solenoid Vent Valve, Normally Open, Quick Closing, 120 Volt, 1" N.P.T.	ASCO	S262SA02 N3FJ5	14-23
			Honeywell	V4295S1013	
			Honeywell	V4295S1021	
6	511-210-415	Test Cock, 1/4" N.P.T.	Conbraco	41-560-05	All Sizes
10	511-048-503	Combination Gas Control Valve, 1" N.P.T., 120 Volt, with Low Fire Operator, High Fire Operator, and Main Pressure Regulator, 1/8" N.P.T. Downstream Pressure Tapping	Honeywell	V4944N1011	5,6,7
10	511-048-502	Combination Gas Control Valve, 1 1/4" N.P.T., 120 Volt, with Low Fire Operator, High Fire Operator, and Main Pressure Regulator, 1/8" N.P.T. Downstream Pressure Tapping	Honeywell	V4944N1029	8 -10
10	511-048-501	Combination Gas Control Valve, 1 1/2" N.P.T., 120 Volt, with Low Fire Operator, High Fire Operator, and Main Pressure Regulator, 1/8" N.P.T. Downstream Pressure Tapping	Honeywell	V4944N1037	11-13
10	511-048-500	Combination Gas Control Valve, 2" N.P.T., 120 Volt, with Low Fire Operator, High Fire Operator, and Main Pressure Regulator, 1/8" N.P.T. Downstream Pressure Tapping	Honeywell	V4944N1045	14-23
11	511-624-555	High Gas Pressure Switch, SPDT, Manual Reset, Lockout on Pressure Rise, Diaphragm Type, 3.0-21.0" W.C. Range, 1.0-3.0" W.C. Differential, 1/4" N.P.T. Female Connector, 1/8" N.P.T. Female Vent Connector, with Switch Position Indicator	Honeywell	C645B1013	All Sizes

* Not used for Factory Mutual "High Risk" Gas Control Trains

LGB Series 2 IRI and FM Main Gas Control Train Components For 5.5" W.C. Natural Gas Supply Pressure

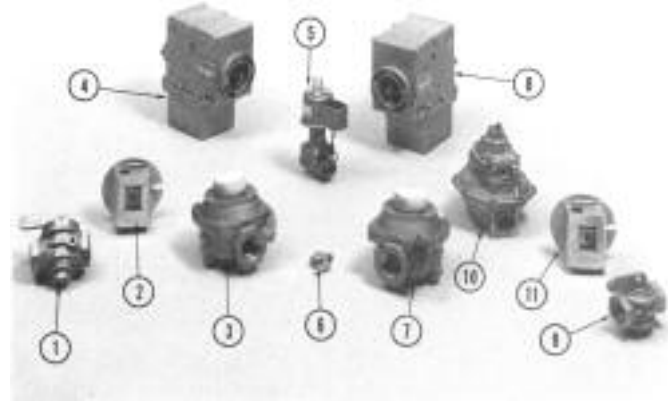
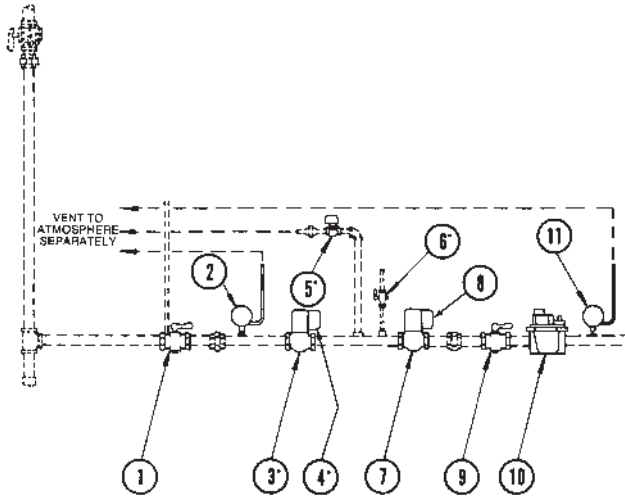


Fig. No.	Part No.	Description	Mfg.	Mfg.'s Part No.	LGB Boiler Size
1,9	511-246-330	Manual Main Shut-Off Gas Valve, 1 1/4" N.P.T., with 1/8" N.P.T. Female Pilot Take-Off Tapping and 1/4" N.P.T. Female Downstream Pressure Tapping, Lubricated Type	Conbraco	50-503-06	5, 6, 7
			Key	224-142111	
1,9	511-246-300	Manual Main Shut-Off Gas Valve, 1 1/2" N.P.T., with 1/8" N.P.T. Female Pilot Take-Off Tapping and 1/4" N.P.T. Female Downstream Pressure Tapping, Lubricated Type	Conbraco	50-603-06	8
1,9	511-246-305	Manual Main Shut-Off Gas Valve, 2" N.P.T., with 1/8" N.P.T. Female Pilot Take-Off Tapping and 1/4" N.P.T. Female Downstream Pressure Tapping, Lubricated Type	Conbraco	50-703-06	9 - 17
1,9	511-246-310	Manual Main Shut-Off Gas Valve, 2 1/2" N.P.T., with 1/4" N.P.T. Female Pilot Take-Off Tapping and 1/4" N.P.T. Female Downstream Pressure Tapping, Lubricated Type	Conbraco	50-803-02	18 - 20
1,9	511-210-431	Manual Main Shut-Off Gas Valve, 3" N.P.T., with 1/4" N.P.T. Female Pilot Take-Off Tapping and 1/4" N.P.T. Female Downstream Pressure Tapping, Lubricated Type	Weil-McLain	R-1430	21-23
2	511-624-550	Low Gas Pressure Switch, SPDT, Manual Reset, Lockout on Pressure Fall, Diaphragm Type, 3.0-21.0" W.C. Range, 1.0-3.0" W.C. Differential, 1/4" N.P.T. Female Connector, 1/8" N.P.T. Female Vent Connector, with Switch Position Indicator	Honeywell	C645A1030	All Sizes
3,7	510-744-315	Motorized Gas Valve Small Body, with 1/4" N.P.T. Female Downstream Pressure Tapping	Honeywell	V5097 A1004	5 - 17
NS	511-044-171	1 1/4" Pipe flange adapter for Gas Valve Body	Honeywell	32000 109-003	5, 6, 7
NS	511-044-172	1 1/2" Pipe flange adapter for Gas Valve Body	Honeywell	32000 109-004	8

LGB Series 2
IRI and FM Main Gas Control Train Components
For 5.5" W.C. Natural Gas Supply Pressure

NS	511-044-173	2" Pipe flange adapter for Gas Valve Body	Honeywell	32000 109-005	9 – 17
3,7	510-744-316	Motorized Gas Valve Large Body, with 1/4" N.P.T. Female Downstream Pressure Tapping	Honeywell	V5097 A1012	18 - 23
NS	511-044-174	2 1/2" Pipe flange adapter for Gas Valve Body	Honeywell	32001 605-002	18 – 20
NS	511-044-175	3" Pipe flange adapter for Gas Valve Body	Honeywell	32001 605-003	21 – 23
4,8	510-744-317	Fluid Power Gas Valve Actuator, On/Off, 120 volt	Honeywell	V4055 A1098	5 –23
NS*	511-044-176	Adapter for Solenoid Vent Valve (fits small valve body)	Honeywell	32002513	5 – 17
NS*	511-044-177	Adapter for Solenoid Vent Valve (fits large valve body)	Honeywell	32002512	18 – 23
5*	511-046-340	Solenoid Vent Valve, Normally Open, Quick Closing, 120 Volt, 3/4" N.P.T.	ASCO	S262SA02 N3EG5	5 – 8
			Honeywell	V4295 S1005	
5*	511-046-342	Solenoid Vent Valve, Normally Open, Quick Closing, 120 Volt, 1" N.P.T.	ASCO	S262SA02 N3FJ5	9 –17
			Honeywell	V4295 S1013	
5*	511-046-344	Solenoid Vent Valve, Normally Open, Quick Closing, 120 Volt , 1 1/4" N.P.T.	ASCO	S262SA02 N3GJ7	18 – 23
			Honeywell	V4295 S1021	
6	511-210-415	Test Cock, 1/4" N.P.T.	Conbraco	41-560-05	All Sizes
10	511-048-502	Combination Gas Control Valve, 1 1/4" N.P.T., 120 Volt, with Low Fire Operator, High Fire Operator, and Main Pressure Regulator, 1/8" N.P.T. Downstream Pressure Tapping	Honeywell	V4944 N1029	5 – 7
10	511-048-501	Combination Gas Control Valve, 1 1/2" N.P.T., 120 Volt, with Low Fire Operator, High Fire Operator, and Main Pressure Regulator, 1/8" N.P.T. Downstream Pressure Tapping	Honeywell	V4944 N1037	8
10	511-048-500	Combination Gas Control Valve, 2" N.P.T., 120 Volt, with Low Fire Operator, High Fire Operator, and Main Pressure Regulator, 1/8" N.P.T. Downstream Pressure Tapping	Honeywell	V4944 N1045	9 – 23
11	511-624-555	High Gas Pressure Switch, SPDT, Manual Reset, Lockout on Pressure Rise, Diaphragm Type, 3.0-21.0" W.C. Range, 1.0-3.0" W.C. Differential, 1/4" N.P.T. Female Connector, 1/8" N.P.T. Female Vent Connector, with Switch Position Indicator	Honeywell	C645B1013	All Sizes

*Not used for Factory Mutual "High Risk" Gas Control Trains

LGB Series 2 Water Trim

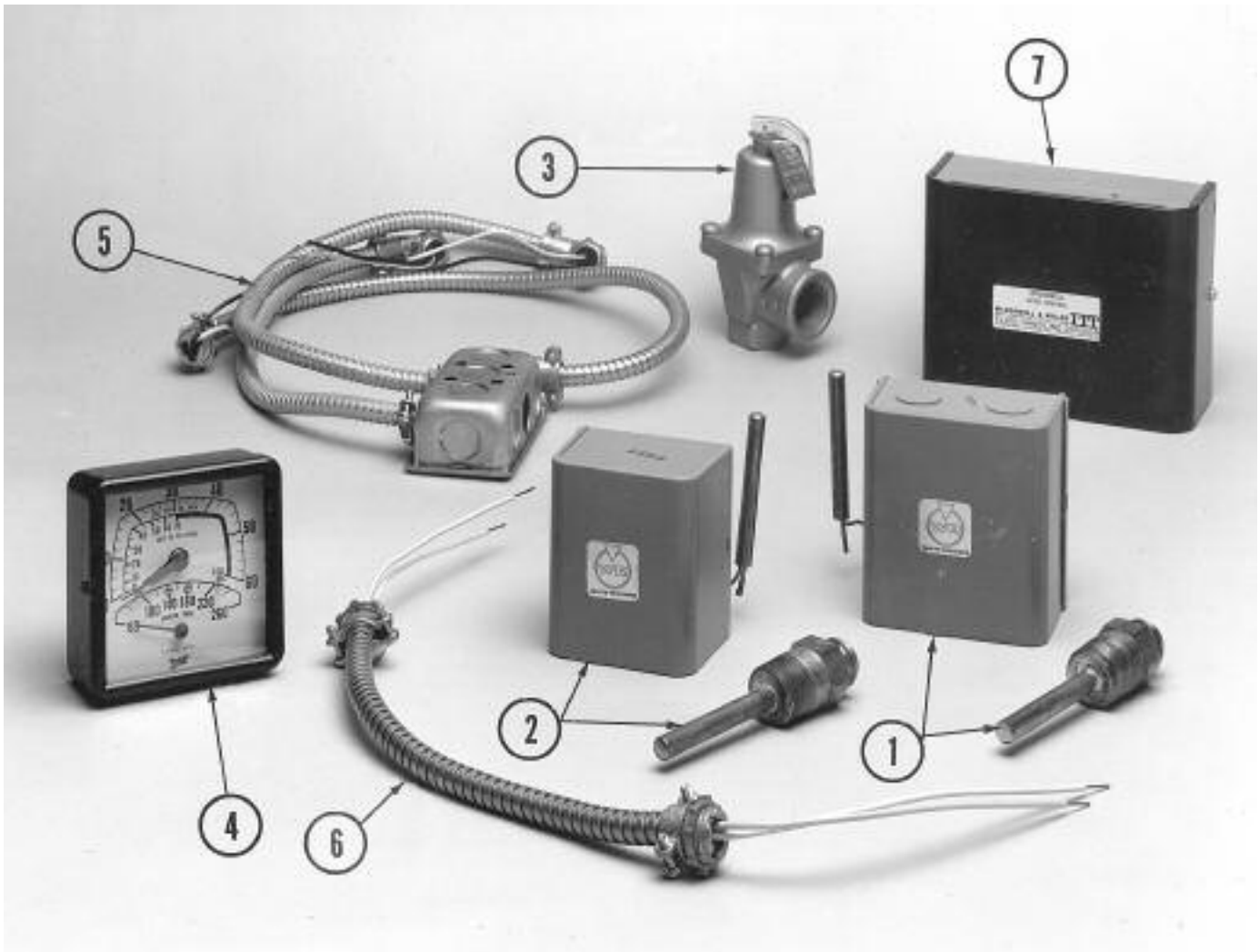
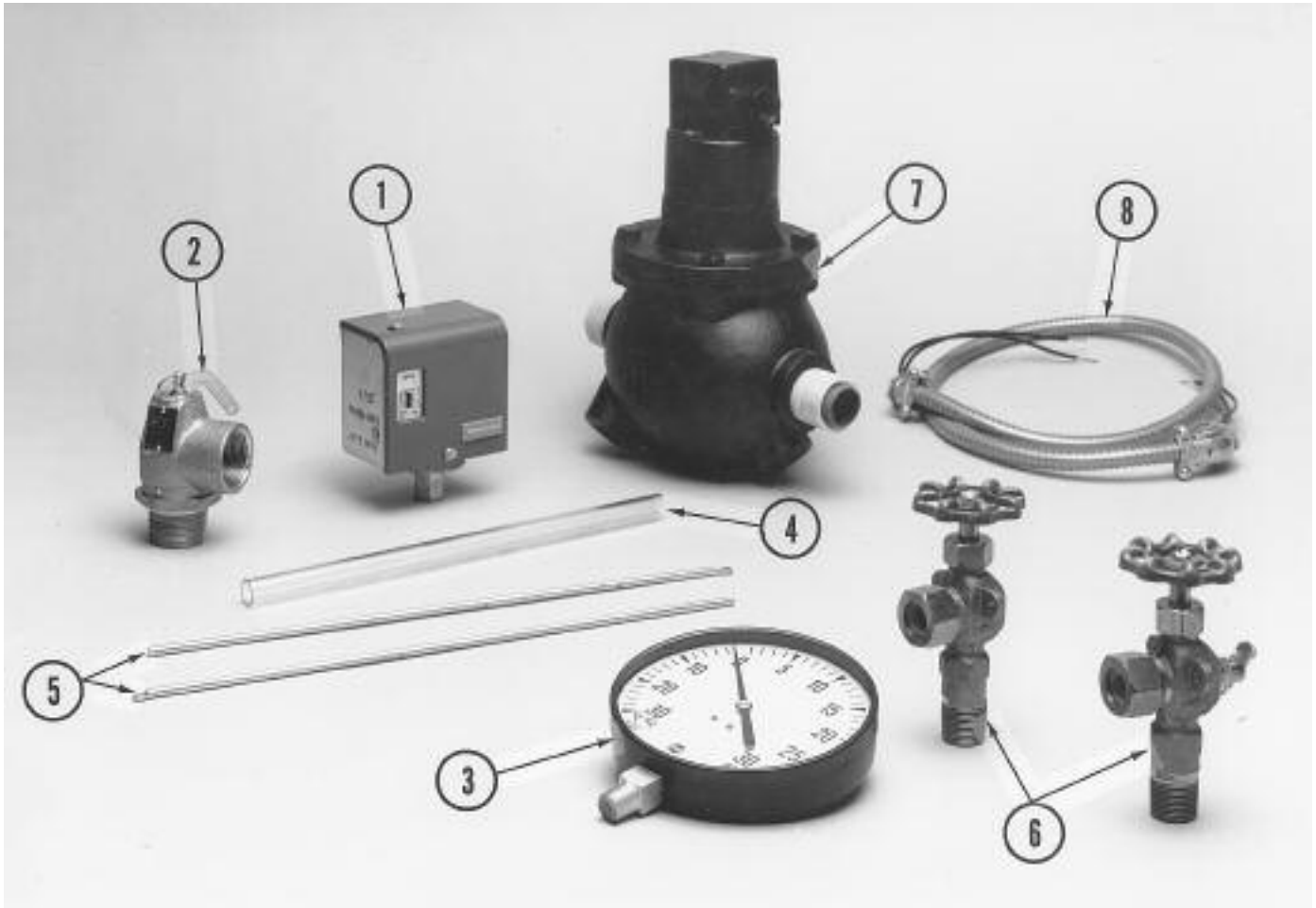


Fig. No.	Part No.	Description	Mfr.	Mfr.'s Part No.	LGB Boiler Size	Notes
1	510-312-065	Combination Operating and High Limit Control, DPST, Automatic Recycle, with 3/4" N.P.T. Control Well. OPERATING LIMIT: 100 – 220° Range with 10-35°F Adjustable Subtractive Differential. HIGH LIMIT: 140-240°F Range with 10°F Fixed Subtractive Differential.	Honeywell	L4081A1189	4 - 20	
1	510-312-065	Combination Operating and High Limit Control, DPST, Automatic Recycle, with 3/4" N.P.T. Control Well. OPERATING LIMIT: 100 – 220° Range with 10-35°F Adjustable Subtractive Differential. HIGH LIMIT: 140-240°F Range with 10°F Fixed Subtractive Differential.	White-Rodgers	11C30-3	4 – 20	
2	510-312-209	High Limit Temperature Control, SPST Automatic Recycle, 140-240°F Range, 10°F Fixed Subtractive Differential with 3/4" N.P.T. Control Well (Separate Controls used for Operating and High Limit Function for LGB-21 through LGB-23 Boilers)	Honeywell	L4080B1311	21 - 23	
2	510-312-209	High Limit Temperature Control, SPST Automatic Recycle, 140-240°F Range, 10°F Fixed Subtractive Differential with 3/4" N.P.T. Control Well (Separate Controls used for Operating and High Limit Function for LGB-21 through LGB-23 Boilers)	White-Rodgers	11B83-16	21 - 23	

LGB Series 2 Water Trim

3	511-546-924	ASME Pressure Relief Valve, Set to Relieve at 30 PSIG, 3/4" N.P.T. Male Inlet x 3/4 " N.P.T. Female Outlet; Side Outlet Type	Conbraco	10-408-05	4 - 5	
3	511-546-924	ASME Pressure Relief Valve, Set to Relieve at 30 PSIG, 3/4" N.P.T. Male Inlet x 3/4 " N.P.T. Female Outlet; Side Outlet Type	Watts	335	4 - 5	
3	511-546-925	ASME Pressure Relief Valve, Set to Relieve at 30 PSIG, 3/4" N.P.T. Male Inlet x 1" N.P.T. Female Outlet; Side Outlet Type	Watts	740	6 - 9	
3	511-546-930	ASME Pressure Relief Valve, Set to Relieve at 30 PSIG, 1" N.P.T. Male Inlet x 1 1/4 " N.P.T. Female Outlet; Side Outlet Type	Watts	740	10 - 13	
3	511-546-935	ASME Pressure Relief Valve, Set to Relieve at 30 PSIG, 1 1/4 " N.P.T. Male Inlet x 1-1/2 " N.P.T. Female Outlet; Side Outlet Type	Watts	740	14 - 20	
3	511-546-940	ASME Pressure Relief Valve, Set to Relieve at 30 PSIG, 1 1/2" N.P.T. Male Inlet x 2 " N.P.T. Female Outlet; Side Outlet Type	Watts	740	21 - 23	
4	510-218-065	Combination Pressure-Temperature Gauge, 0-50 PSIG, 60-260°F, Back Connection, 1/2" N.P.T.	ENFM	#4104-3.25	All Sizes	
4	510-218-065	Combination Pressure-Temperature Gauge, 0-50 PSIG, 60-260°F, Back Connection, 1/2" N.P.T., Spec 144435	Ametek	PTA1088	All Sizes	
4	510-218-065	Combination Pressure-Temperature Gauge, 0-50 PSIG, 60-260°F, Back Connection, 1/2" N.P.T., Spec G22528	Marshalltown	13HJ	All Sizes	
5	591-319-793	Temperature Control Wiring Harness	Weil-McLain		21 - 23	
6	591-319-801	Water Trim Wiring Harness			4-23	
7	511-114-528	Electrode Type Low Water Cut-Off, 120 Volt, SPDT, Automatic Recycle, 160 PSIG Rated, 1/2" N.P.T. Male Electrode	McDonnell-Miller	PS-851-120	All Sizes	

LGB Series 2 Steam Trim



GAS

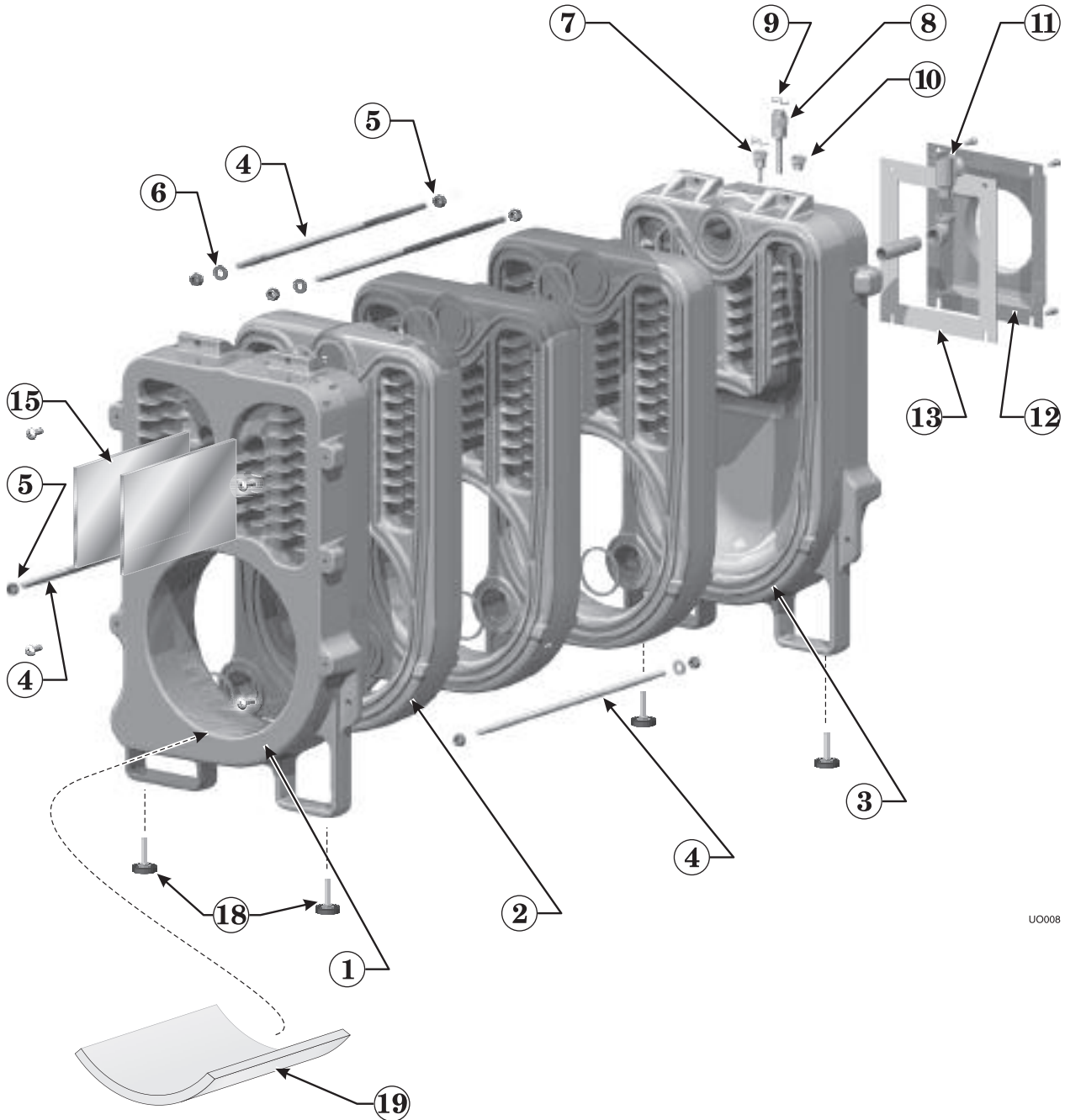
LGB Series 2 Steam Trim

Fig. No.	Part No.	Description	Mfr.	Mfr.'s Part No.	LGB Boiler Size	Notes
1	510-312-135	* High Limit Steam Pressure Control, SPST, Automatic Recycle, 0-9 PSIG Range, 0-5 PSIG Adjustable Additive Differential, Bottom Connection, 1/4" N.P.T. Male	Honeywell	PA404A1009	All Sizes	
1	510-312-106	* High Limit Steam Pressure Control, SPST, Automatic Recycle, 0-9 PSIG Range, 0-5 PSIG Adjustable Additive Differential, Bottom Connection, 1/4" N.P.T. Male	Johnson Controls	P47AA-25D	All Sizes	
2	511-548-046	ASME Steam Safety Relief Valve, Set to Relieve at 15 PSIG, Side Outlet, 1" N.P.T. Male Inlet x 1" N.P.T. Female Outlet, 643 lbs./Hr. Capacity	Conbraco	13-202-08	4 - 7	
2	511-548-051	ASME Steam Safety Relief Valve, Set to Relieve at 15 PSIG, Side Outlet, 1 1/2" N.P.T. Male Inlet x 1 1/2" N.P.T. Female Outlet, 1200 lbs./Hr. Capacity	Conbraco	13-213-08	8 - 12	
2	511-548-052	ASME Steam Safety Relief Valve, Set to Relieve at 15 PSIG, Side Outlet, 1 1/2" N.P.T. Male Inlet x 2" N.P.T. Female Outlet, 1900 lbs./Hr. Capacity	Conbraco	13-214-08	13 - 19	
2	511-548-056	ASME Steam Safety Relief Valve, Set to Relieve at 15 PSIG, Side Outlet, 2" N.P.T. Male Inlet x 2" N.P.T. Female Outlet, 2500 lbs./Hr. Capacity	Conbraco	12-205-08	20 - 23	
3	510-218-100	Combination Pressure-Vacuum Gauge, 0-30 PSIG, 0-30" Hg., 4 1/2" Dial, Bottom Connection, 1/2" N.P.T. Spec 05549	Ametek	USC500-5549	All Sizes	
4	383-600-002	Water Gauge Glass Kit, 5/8" x 10 5/8" with gaskets and brass washers	Weil-McLain		All Sizes	
5	583-334-595	Water Gauge Glass Guard, 3/16" Dia. X 12 1/2" Long (2 per Gauge Glass)	Weil-McLain		All Sizes	
6	510-218-145	Water Gauge Glass Cocks, Set 1/2" N.P.T. Male Inlet	Conbraco	21-205-03W	All Sizes	
7	511-114-474	Float Type Low Water Cut-Off, SPCT, Automatic Recycle, 15 PSIG Rated, 1" N.P.T.	McDonnell-Miller	61	All Sizes	
8	591-319-800	Steam Trim Wiring Harness	Weil-McLain		All Sizes	

* Two High Limits Used for Each LGB Steam Boiler

Appendix — Replacement parts (continued)

Boiler section assembly parts



UO008

OIL

Ultra Oil

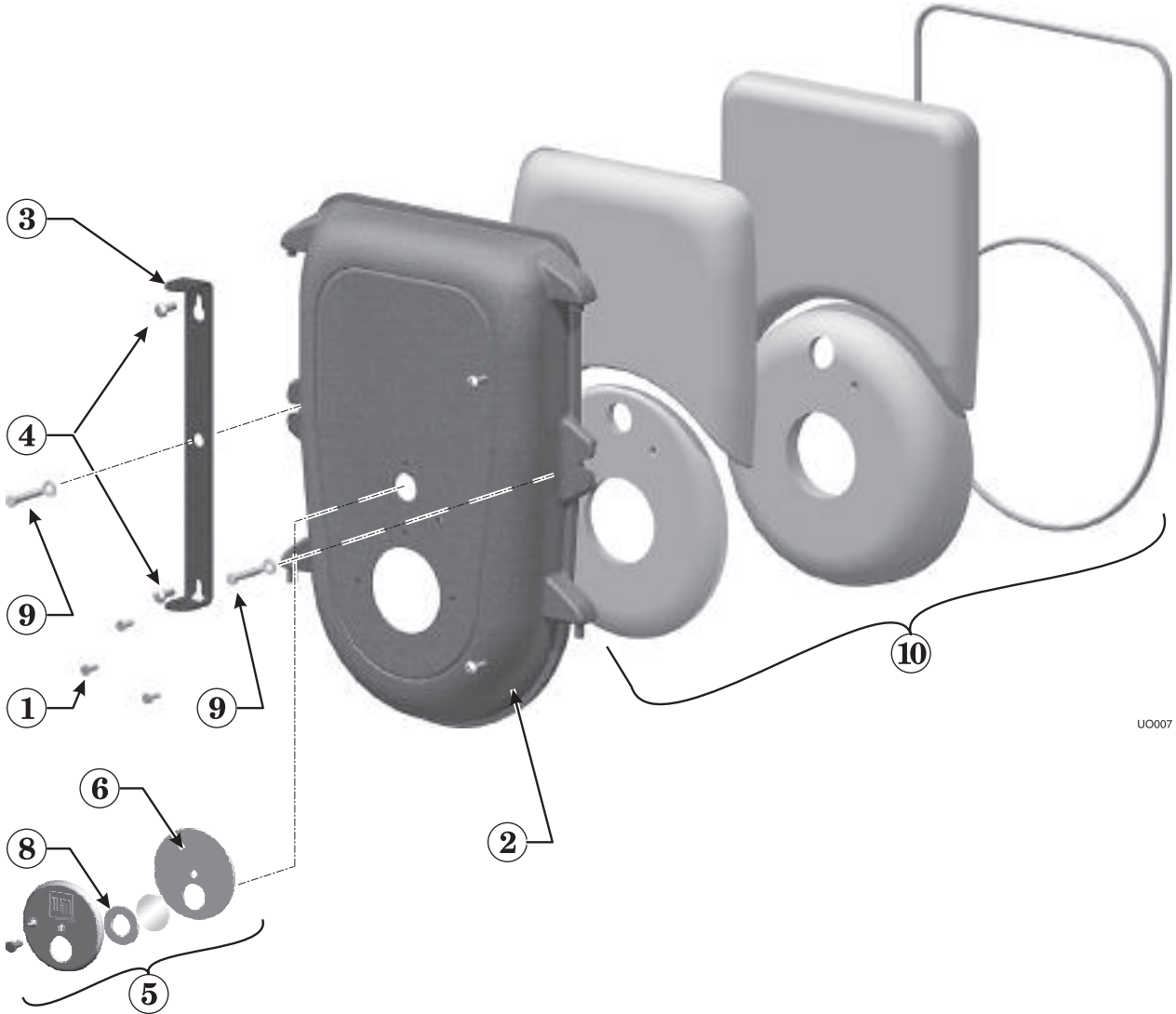
Appendix — Replacement parts (continued)

Boiler section assembly parts

Item	Description	Part Number
1	Boiler front section	316-900-200
2	Boiler intermediate section	316-900-210
3	Boiler back section	316-900-220
4	Tie rods (4 required)	UO-3 560-234-468 UO-4 560-234-472 UO-5 560-234-477
5	Nuts (8 required)	561-928-221
6	Washers (4 required)	562-248-668
7	P/T gauge temperature sensor well	592-300-025
8	Limit control sensor well	592-300-006
9	Mounting clip for P/T gauge and limit well	512-400-001
10	P/T gauge pressure sensor check valve	512-400-000
11	Boiler relief valve	511-546-920
12	Flue collar	446-900-000
13	Flue collar gasket	590-318-028
14	Flue collar replacement Kit (flue collar plate, gasket, (4) bolts)	386-902-002
15	Flueway baffles (for UO-3 1.0 gph input only) — (2) required	452-800-455
16	Front/Intermediate section replacement kit (includes seals & rope)	386-902-004
17	Back section replacement kit (includes seals, rope, flue gasket)	386-902-003
18	Leveling legs (4)	386-902-013
19	UO-3 0.80 GPH ONLY combustion chamber floor blanket	591-221-287
20	UO-3 0.80 GPH ONLY low firing rate kit (Not shown) (includes blanket, water glass, nozzle)	386-902-007
	Flueway Brush	591-706-241

Appendix — Replacement parts (continued)

Burner door parts



UO007

OIL

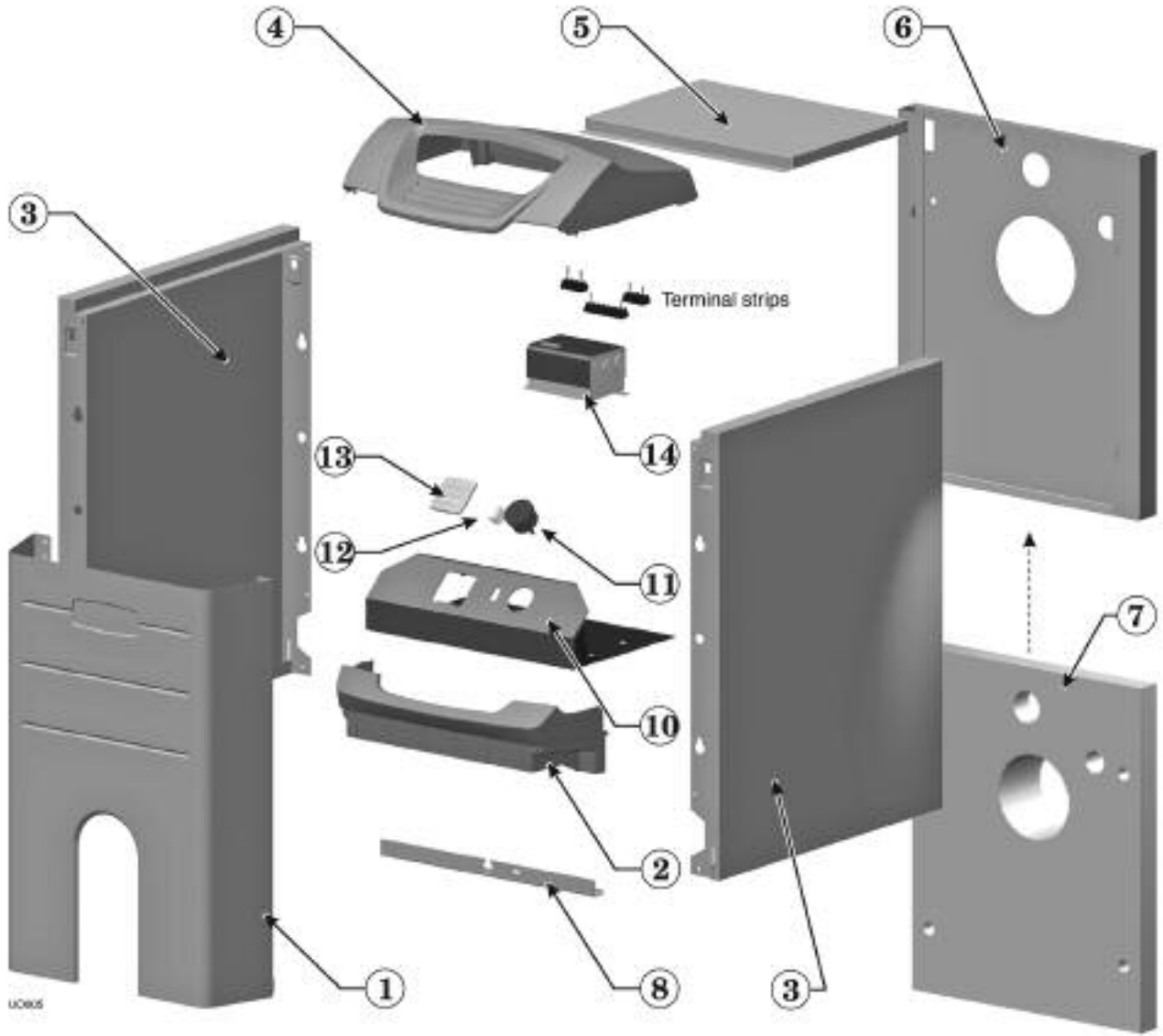
Appendix — Replacement parts (continued)

Burner door parts

Item	Description	Part Number
1	Burner flange bolts (3) each, 5/16"-18 x 3/4" Hex HD SS	Purchase locally
2	Burner door	330-054-308
3	Burner door hinge bracket	466-900-000
4	Hinge bracket screws (2 required), 3/8"-16 x 1	Purchase locally
5	Observation port assembly (includes observation port, bolt, observation port gasket, sight glass gasket, sight glass, water glass)	386-902-000
6	Observation port gasket (requires water glass adhesive)	590-318-027
7	Water glass for observation port gasket (Not shown)	591-632-612
8	Sight glass gasket	590-317-580
9	Burner door retainer bolts and washers (2) each, 3/8"-16 x 2" Hex HD ZP	Purchase locally
10	Burner door insulation kit (includes refractories, insulation blankets, & rope)	386-902-001

Appendix — Replacement parts (continued)

Jacket and control parts



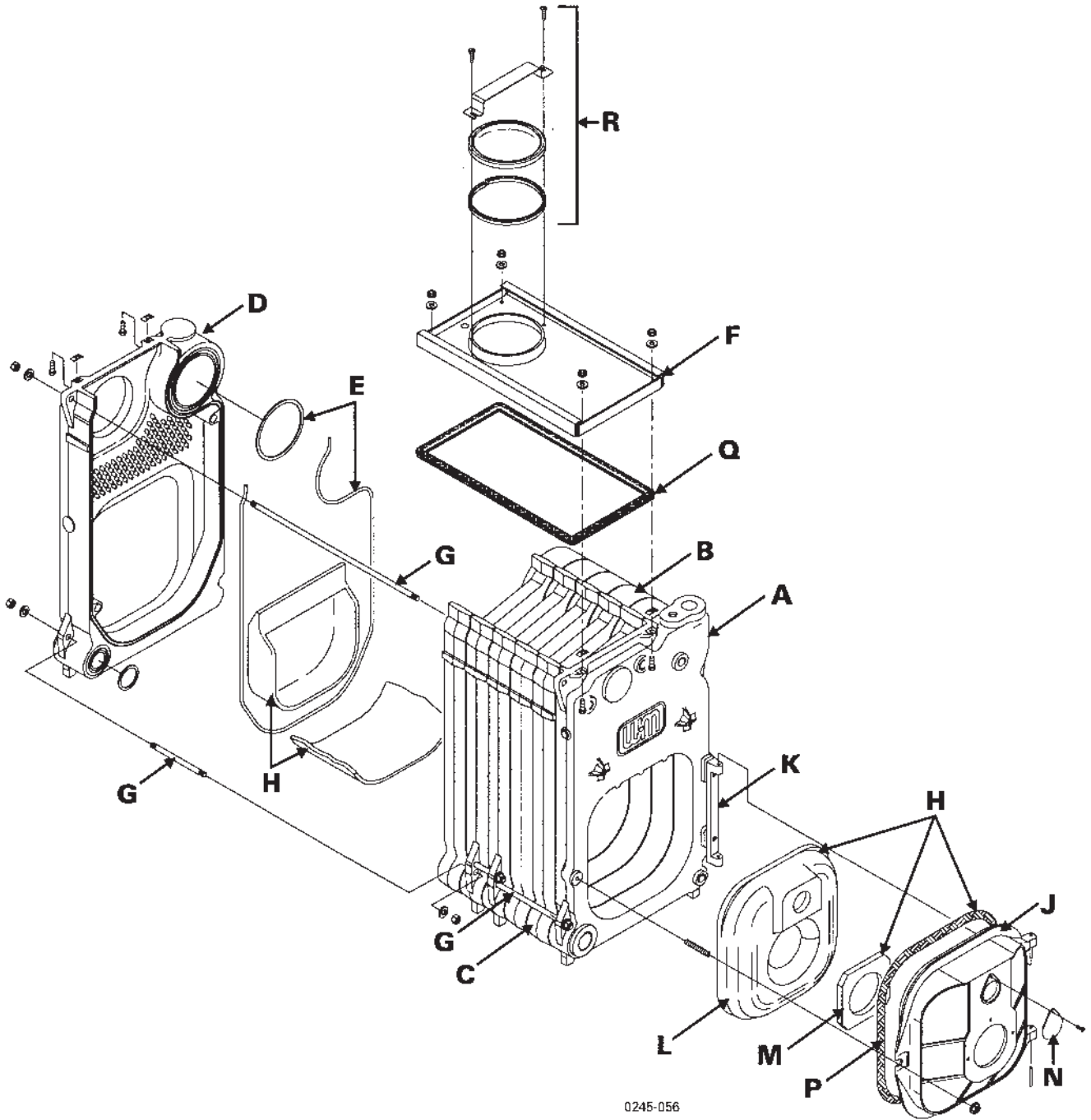
OIL

Appendix — Replacement parts (continued)

Jacket and control parts

Item	Description	Part Number
1	Jacket front panel assembly (includes sheet metal, plastic, striker)	386-902-005
2	Jacket front panel plastic	595-000-009
3	Jacket side panel (left and right sides are the same)	UO-3 426-900-002 UO-4 426-900-003 UO-5 426-900-004
4	Control Pod cover	595-000-011
5	Jacket top panel	UO-3 426-900-005 UO-4 426-900-006 UO-5 426-900-007
6	Jacket rear panel (if required order insulation below)	426-900-001
7	Jacket rear panel insulation	591-222-181
8	Jacket crosstie	426-900-008
9	Boiler insulation (Not shown)	UO-3 591-222-178 UO-4 591-222-179 UO-5 591-222-180
10	Control tray assembly (includes tray, limit control, terminal strips, P/T gauge, ON/OFF switch, wiring, labels)	386-902-008
11	Pressure/Temperature gauge	510-218-052
12	ON/OFF switch	511-624-645
13	Weil-McLain logo plate	595-000-010
14	High limit control, Honeywell L7248C-1030	386-902-006
15	Wire harness (Not shown)	386-902-011
16	Barometric draft control (Not shown)	510-512-270
17	Limit control sensor (Not shown)	511-724-291

WGO Series 3 Section Assembly



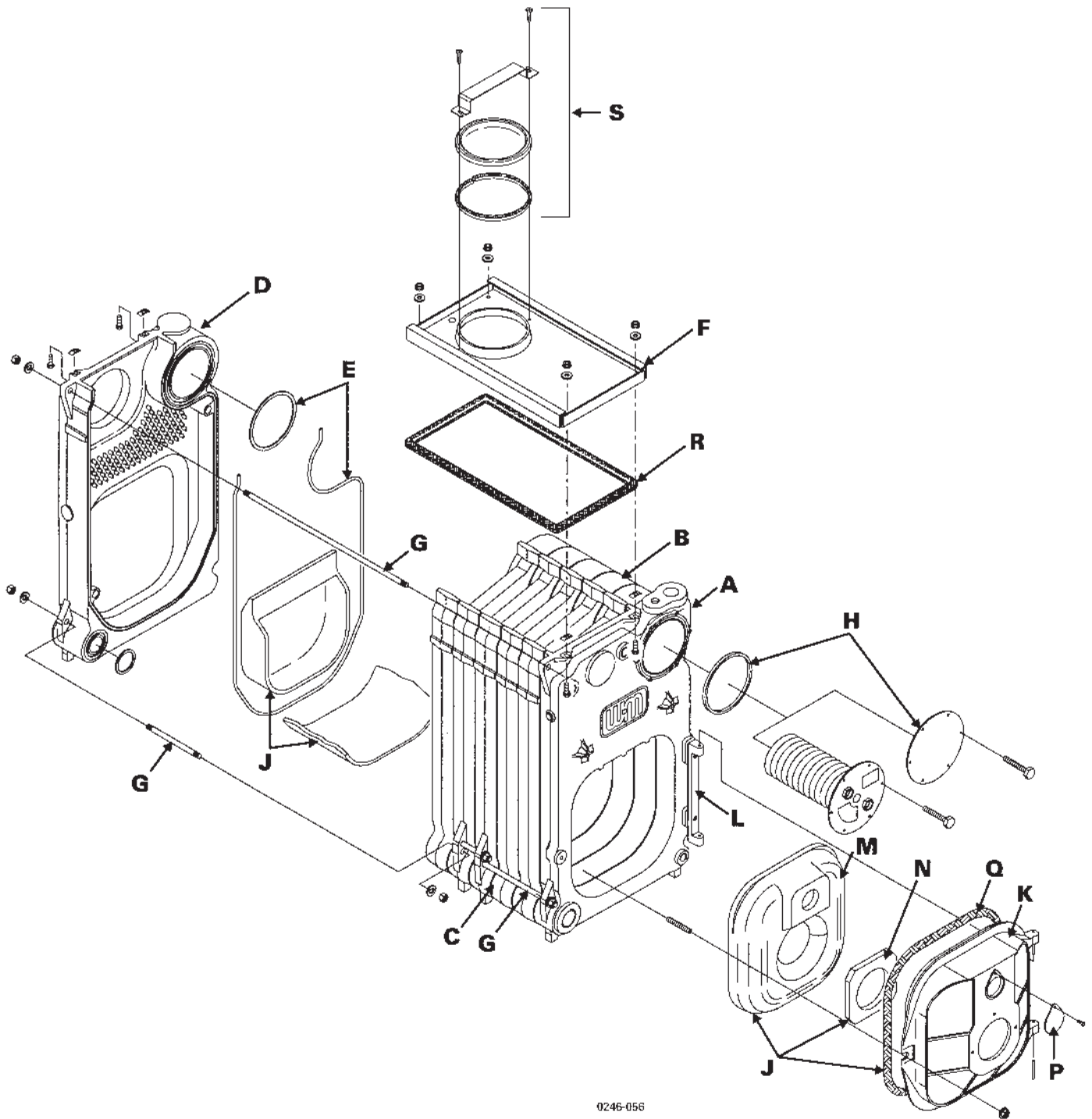
0245-056

OIL

WGO Series 3 Section Assembly

Fig. No.	Part No.	Description	Casting No.	Notes	Boiler Size									
					2	3	4	5	6	7	8	9		
A	316-700-270	FRONT SECTION, w/envelope, fits Series 1, 2, & 3	7012		1	1	1	1	1	1	1	1	1	1
B	316-700-065	INTERMEDIATE SECTION, NARROW	7015		1		2	3	4	3	4	5		
	316-700-075	INTERMEDIATE SECTION, WIDE	7010			1								
C	316-700-070	INTERMEDIATE SECTION, w/DRAW ROD LUGS	7016							2	2	2		
D	316-700-265	BACK SECTION w/2 1/2" SUPPLY & 2 1/2" RETURN	7017		1	1	1	1	1	1	1	1	1	
	386-700-851	INTERMEDIATE SECTION REPLACEMENT KIT (Includes: seals, rope and adhesive for one joint)	-		-	-	1	2	3	4	5	6		
	386-700-852	REAR SECTION REPLACEMENT KIT (Includes: seals, rope, adhesive and collector hood fasteners for front & rear sections)	-		1	1	1	1	1	1	1	1	1	
	386-700-855	FRONT SECTION REPLACEMENT KIT (Includes: seals, rope, adhesive and collector hood fasteners for front & rear sections)	-		1	1	1	1	1	1	1	1	1	
	386-700-650	REPLACEMENT SECTION ASSEMBLY COMPLETE w/JACKET	-		1									
	386-700-651	REPLACEMENT SECTION ASSEMBLY COMPLETE w/JACKET	-			1								
	386-700-652	REPLACEMENT SECTION ASSEMBLY COMPLETE w/JACKET	-				1							
	386-700-653	REPLACEMENT SECTION ASSEMBLY COMPLETE w/JACKET	-					1						
	386-700-654	REPLACEMENT SECTION ASSEMBLY COMPLETE w/JACKET	-						1					
	386-700-655	REPLACEMENT SECTION ASSEMBLY L/JACKET	-							1				
	386-700-656	REPLACEMENT SECTION ASSEMBLY L/JACKET	-								1			
	386-700-657	REPLACEMENT SECTION ASSEMBLY L/JACKET	-									1		
F	386-700-336	COLLECTOR HOOD KIT	-		1									
	386-700-337	COLLECTOR HOOD KIT	-			1	1							
	386-700-338	COLLECTOR HOOD KIT	-					1						
	386-700-339	COLLECTOR HOOD KIT	-						1					
	450-020-188	COLLECTOR HOOD KIT	-							1				
450-020-189	COLLECTOR HOOD KIT	-								1				
450-020-190	COLLECTOR HOOD KIT	-									1			
G	560-234-464	TIE ROD 1/2" X 5 1/2"	-		2						2	2		
	560-234-491	TIE ROD 1/2" X 10 3/4"	-		4						2			
	560-234-492	TIE ROD 1/2" X 12C	-		2									
	560-234-470	TIE ROD 1/2" X 14"	-		4	4					2	2		
	560-234-495	TIE ROD 1/2" X 15"	-		2									
	560-234-472	TIE ROD 1/2" X 17"	-		4									
	560-234-534	TIE ROD 1/2" X 20"	-		4									
	560-234-538	TIE ROD 1/2" X 23 1/4"	-							2				
	560-234-542	TIE ROD 1/2" X 26 3/8"	-		2									
	560-234-497	TIE ROD 1/2" X 29 1/2"	-		2									
	561-928-221	NUT, REGULAR HEX, 1/2" (2 required per rod)	-		8	8	8	8	8	8	8	8	16	
	562-248-668	WASHER, MEDIUM SPLIT PLAIN LOCK, 1/2" (1 required per rod)	-		4	4	4	4	4	4	4	4	8	
H	386-700-355	COMBUSTION CHAMBER KIT (Includes: rear & front refractory, blanket & water glass)	-		1	1	1	1	1	1	1	1	1	
	386-700-358	BURNER MOUNTING DOOR ASSEMBLY (Includes: door, observation port, rope, insulation & pins)	-		1	1	1	1	1	1	1	1	1	
J	330-054-302	BURNER MOUNTING DOOR	7070		1	1	1	1	1	1	1	1	1	
K	330-054-300	DOOR HINGE	7054		1	1	1	1	1	1	1	1	1	
L	386-700-359	DOOR REFRACTORY	-		1	1	1	1	1	1	1	1	1	
M	591-222-115	DOOR REFRACTORY BLANKET	-		1	1	1	1	1	1	1	1	1	
N	460-039-867	OBSERVATION PORT SHUTTER	-		1	1	1	1	1	1	1	1	1	
P	590-735-104	DOOR SEAL ROPE, 55"	-		1	1	1	1	1	1	1	1	1	
Q	590-735-109	GLASS ROPE, 3/8" FOR COLLECTOR HOOD, 7'	-		1	1	1	1	1	1	1	1	1	
R	386-700-344	FLUE CAP KIT	-		1	1	1	1	1	1	1	1	1	
	591-706-214	FLUE BRUSH	-		1	1	1	1	1	1	1	1	1	
	592-800-007	6" Top Seal	-											
	592-800-010	3" Bottom Seal	-											

WTGO Series 3 Section Assembly

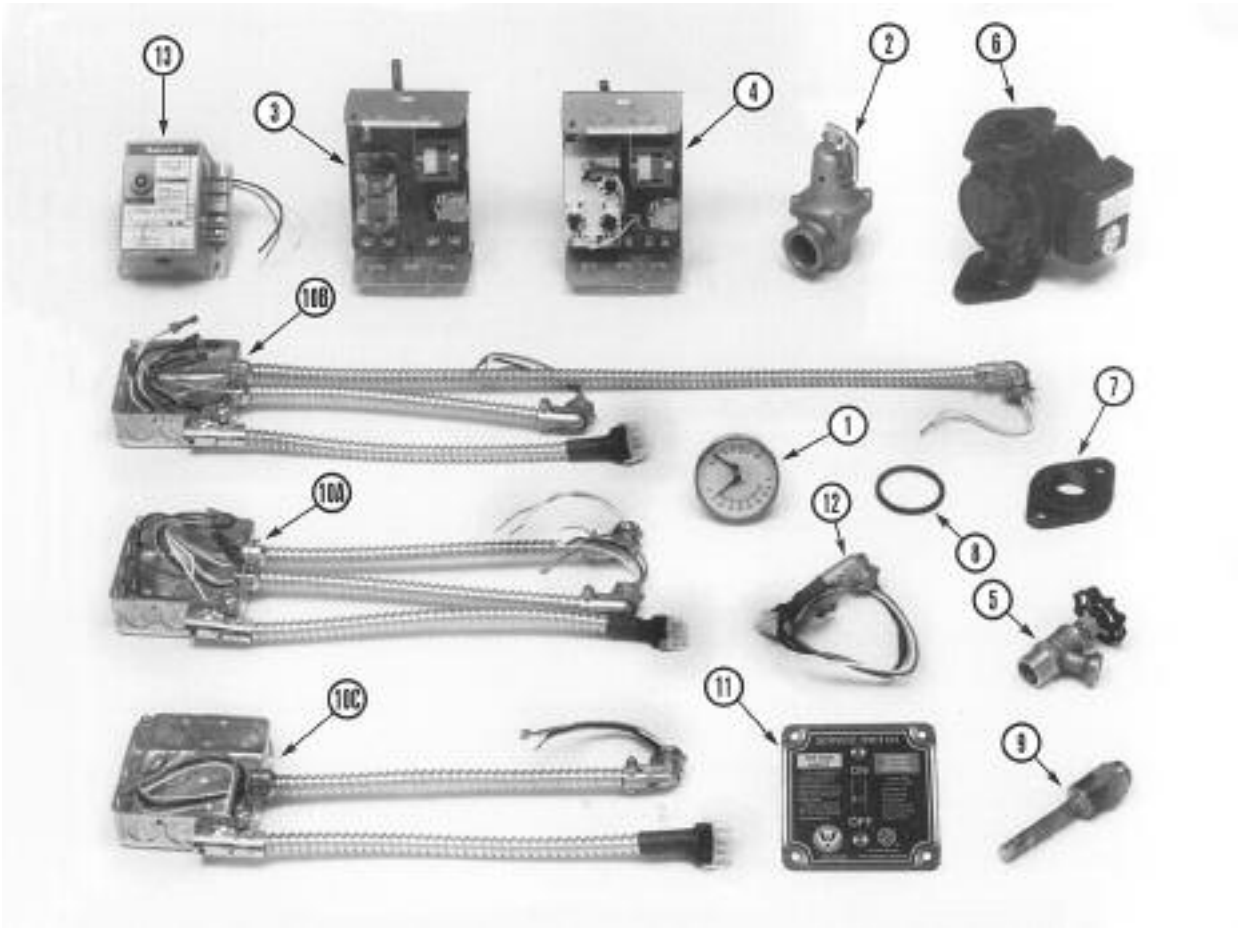


OIL

WTGO Series 3 Section Assembly

Fig. No.	Part No.	Description	Casting No.	Notes	Boiler Size								
					3	4	5	6	7	8	9		
A	316-700-240	FRONT SECTION, w/envelope, fits Series 1, 2, & 3	7013		1	1	1	1	1	1	1	1	1
B	316-700-065	INTERMEDIATE SECTION, NARROW	7015			2	3	4	3	4	5		
	316-700-075	INTERMEDIATE SECTION, WIDE	7010		1								
C	316-700-070	INTERMEDIATE SECTION, w/DRAW ROD LUGS	7016						2	2	2		
D	316-700-265	BACK SECTION w/2 1/2" SUPPLY & 2 1/2" RETURN	7017		1	1	1	1	1	1	1	1	1
E	386-700-851	INTERMEDIATE SECTION REPLACEMENT KIT (Includes: seals, rope and adhesive for one joint)	-		-	1	2	3	4	5	6		
	386-700-852	REAR SECTION REPLACEMENT KIT (Includes: seals, rope, adhesive and collector hood fasteners for front & rear sections)	-		1	1	1	1	1	1	1	1	1
	386-700-855	FRONT SECTION REPLACEMENT KIT (Includes: seals, rope, adhesive and collector hood fasteners for front & rear sections)	-		1	1	1	1	1	1	1	1	1
H	386-700-360	HEATER COVER PLATE CARTON (plate, studs, seal)	-		1	1	1	1	1	1	1	1	1
	386-700-658	REPLACEMENT SECTION ASSEMBLY COMPLETE w/JACKET	-		1								
	386-700-659	REPLACEMENT SECTION ASSEMBLY COMPLETE w/JACKET	-			1							
	386-700-660	REPLACEMENT SECTION ASSEMBLY COMPLETE w/JACKET	-				1						
	386-700-661	REPLACEMENT SECTION ASSEMBLY COMPLETE w/JACKET	-					1					
	386-700-662	REPLACEMENT SECTION ASSEMBLY L/JACKET	-						1				
	386-700-663	REPLACEMENT SECTION ASSEMBLY L/JACKET	-							1			
	386-700-664	REPLACEMENT SECTION ASSEMBLY L/JACKET	-									1	
F	386-700-336	COLLECTOR HOOD KIT (WTGO-32)	-										
	386-700-337	COLLECTOR HOOD KIT	-		1	1							
	386-700-338	COLLECTOR HOOD KIT	-				1						
	386-700-339	COLLECTOR HOOD KIT	-					1					
	450-020-188	COLLECTOR HOOD KIT	-						1				
	450-020-189	COLLECTOR HOOD KIT	-							1			
	450-020-190	COLLECTOR HOOD KIT	-									1	
G	560-234-464	TIE ROD 1/2" X 5 1/2"	-						2	2	2		
	560-234-491	TIE ROD 1/2" X 12"	-						2	2			
	560-234-492	TIE ROD 1/2" X 10 3/4 "	-						2				
	560-234-470	TIE ROD 1/2" X 14 "	-		4	4				2	2		
	560-234-495	TIE ROD 1/2" X 15"	-									2	
	560-234-472	TIE ROD 1/2" X 17"	-				4						
	560-234-534	TIE ROD 1/2" X 20"	-					4					
	560-234-538	TIE ROD 1/2" X 23 1/4	-						2				
	560-234-542	TIE ROD 1/2" X 26 3/8"	-							2			
	560-234-497	TIE ROD 1/2" X 29 1/2"	-									2	
	561-928-221	NUT, REGULAR HEX, 1/2" (2 required per rod)	-		8	8	8	8	8	8	8	16	
	562-248-668	WASHER, MEDIUM SPLIT PLAIN LOCK, 1/2" (1 required per rod)	-		4	4	4	4	4	4	4	8	
	386-700-355	COMBUSTION CHAMBER KIT (Includes: rear & front refractory, blanket & water glass)	-		1	1	1	1	1	1	1	1	1
	386-700-358	BURNER MOUNTING DOOR ASSEMBLY (Includes: door, observation port, rope, insulation & pins)	-		1	1	1	1	1	1	1	1	1
K	330-054-302	BURNER MOUNTING DOOR	7070		1	1	1	1	1	1	1	1	1
L	330-054-300	DOOR HINGE	7054		1	1	1	1	1	1	1	1	1
M	386-700-359	DOOR REFRACTORY	-		1	1	1	1	1	1	1	1	1
N	591-222-115	DOOR REFRACTORY BLANKET	-		1	1	1	1	1	1	1	1	1
P	460-039-867	OBSERVATION PORT SHUTTER	-		1	1	1	1	1	1	1	1	1
F	590-735-104	DOOR SEAL ROPE, 55G	-		1	1	1	1	1	1	1	1	1
R	590-735-109	GLASS ROPE, 3/8" FOR COLLECTOR HOOD, 7H	-		1	1	1	1	1	1	1	1	1
S	386-700-344	FLUE CAP KIT (Includes: cap, handle, rope & screws)	-										
	591-706-214	FLUE BRUSH	-		1	1	1	1	1	1	1	1	1
	592-800-007	Round 6" tankless heater gasket	-										
	560-340-577	Tankless heater nut and stud	-										
	592-800-007	Round 6" section seal gasket	-										
	592-800-010	Round 3" section seal gasket	-										

WGO, WTGO Series 3 Trim



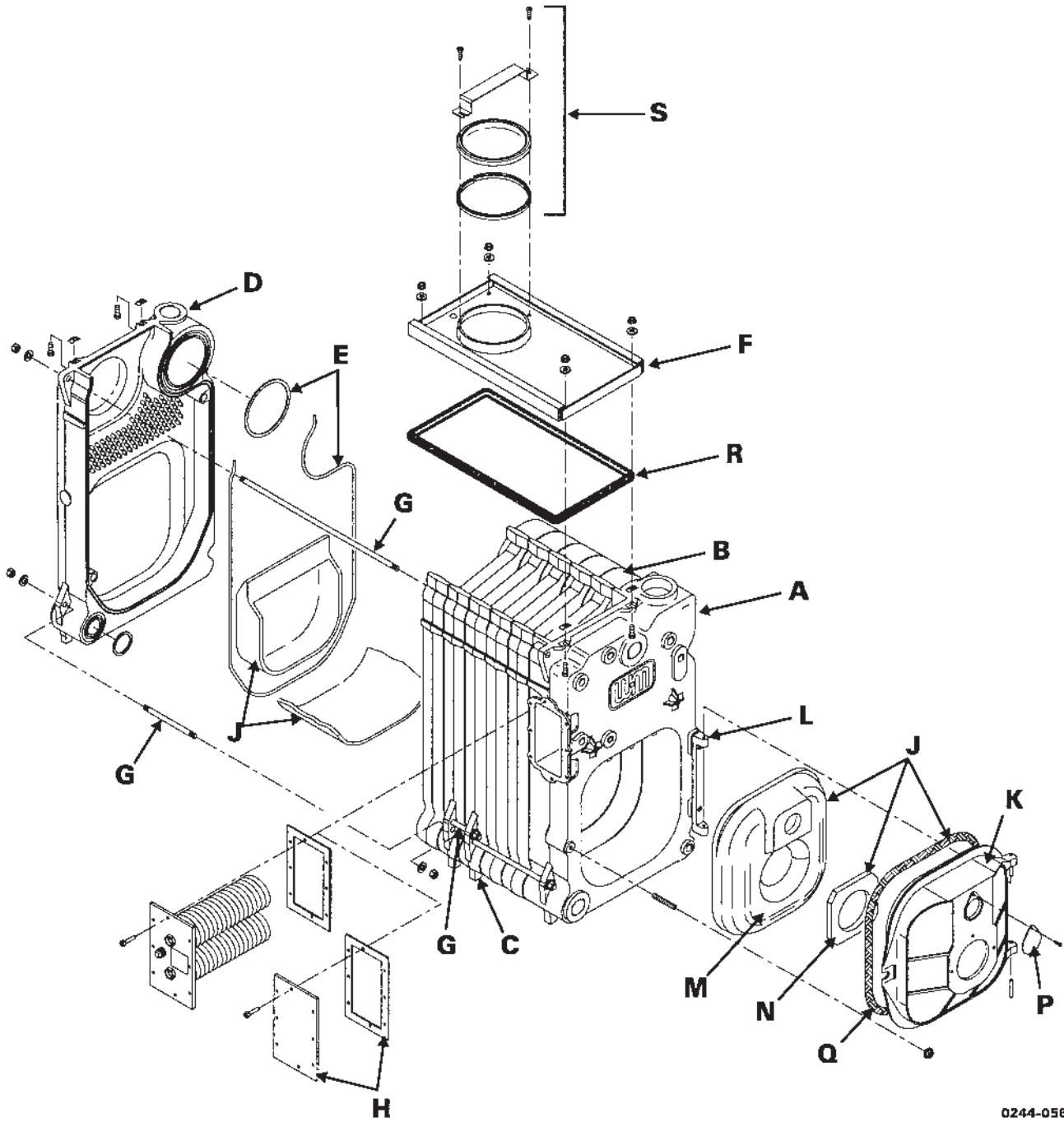
OIL

Fig. No.	Part No.	Description	Mfr.	Mfr.'s Part No.	Notes	Boiler	
						WGO	
1	510-218-099	COMBINATION PRESSURE-TEMPERATURE GAUGE, 2 1/2" Dial, 0-60 P.S.I.G., 60-260° F., Short Shank, Back Connection, 1/4" N.P.T.	Ametek	PTA 1088		X	X
		COMBINATION PRESSURE-TEMPERATURE GAUGE, 2 1/2" Dial, 0-60 P.S.I.G., 60-260 Deg. F., Short Shank, Back Connection, 1/4" N.P.T.	ENFM-USA	4104		X	X
1	510-218-047	COMBINATION PRESSURE-TEMPERATURE GAUGE, 3" face, 0-75 P.S.I.G., 60-320° F., Back Connection, 1/2" N.P.T. self-sealing well	Honeywell	TDV-040		X	X
1	510-218-048	COMBINATION PRESSURE-TEMPERATURE GAUGE, 3" face, 0-75 P.S.I.G., 60-320° F., Back Connection, 1/2" N.P.T. self-sealing well	ENFM-USA	4104			
2	511-546-920	ASME PRESSURE RELIEF VALVE, set to relieve at 30 P.S.I.G., 3/4" male inlet	Conbraco	M330		X	X
3	510-311-030	HIGH TEMPERATURE LIMIT CONTROL AND RELAY, 180-220° F., full load on circulator control circuit, 7.4 amps @ 120 V.A.C., supplies 24 V.A.C. to thermostat with 0.2 amps anticipator current, includes 3/4" well	Honeywell	L8148A1157		X	
	592-300-006	3/4" well for above limit control					

WGO, WTGO Series 3 Trim

Fig. No.	Part No.	Description	Mfr.	Mfr.'s Part No.	Notes	Boiler	
						WGO	
4	510-311-040	COMBINATION HIGH/LOW LIMIT CIRCULATOR and RELAY. HIGH LIMIT: 130-220° F. with 10° F. fixed Subtractive differential. LOW LIMIT: 110-220° F with 10-35° F. Subtractive differential, full load on circulator control circuit, 7.4 amps @ 120 V.A.C., locked rotor, supplies 24 V.A.C. to thermostat with 0.2 amps anticipator current, includes 3/4" well	Honeywell	L8124A1155			X
	592-300-005	3/4" well for above limit control					
5	511-210-423	DRAIN COCK, 3/4", 1 1/2" shank	Conbraco	31-606-01		X	X
	511-246-392	DRAIN COCK, 3/4"	Hammond	710		X	X
		DRAIN COCK, 3/4"	Watts	BD2C		X	X
		DRAIN COCK, 3/4"	Matco-Norca			X	X
		DRAIN COCK, 3/4"	Nibco	#74		X	X
6	511-405-118	CIRCULATOR, 1/20 HP, 120/60/1 Motor, 175 RPM, 0.74 Amps	Bell & Gossett	NRF-22		X	X
	511-405-113	CIRCULATOR, 1/25 HP, 120/60/1 Motor, 175 RPM, 0.75 Amps	Taco	W007F		X	X
	511-405-126	CIRCULATOR, 1/25 HP, 120/60/1 Motor, 1725 RPM, 0.74 Amps	Grundfos	UP15-42FR-TB4		X	X
	511-405-115	CIRCULATOR, 1/12 HP, 120/60/1 Motor, 1725 RPM	Bell & Gossett	SERIES 100		X	X
	511-405-116	CIRCULATOR, 1/12 HP, 120/60/1 Motor, 1725 RPM	Taco	UN-110		X	X
7	381-354-526	CIRCULATOR UNIVERSAL HARDWARE KIT 1 1/4" (Includes: (1) Flange, (1) Gasket, (2) Screws and (2) nuts) for sizes 2, 3 & 4 only	Weil-McLain	-		X	X
7	381-354-531	CIRCULATOR UNIVERSAL HARDWARE KIT 1 1/2" (Includes: (1) Flange, (1) Gasket, (2) Screws and (2) nuts) for sizes 5 & 6 only	Weil-McLain			X	X
9	592-300-006	IMMERSION WELL, 3/4" N.P.T., 3 1/8" bulb, standard shank	Honeywell	123870A		X	X
	592-300-005	IMMERSION WELL, 3/4" N.P.T., 3 1/8" bulb, standard shank	Honeywell	L123871A		X	X
	592-300-006	IMMERSION WELL, 3/4" N.P.T., 3 1/8" bulb, standard shank	Heat Transfer Products	PMW-3S		X	X
	592-300-005	IMMERSION WELL, 3/4" N.P.T., 3 1/8" bulb, standard shank	Heat Transfer Products	PMW-3SE			X
10C	591-391-846	JUNCTION BOX - WIRING HARNESS ASSEMBLY (Series 1 A & B only)	Weil-McLain	-		X	X
10B	591-391-856	JUNCTION BOX - WIRING HARNESS ASSEMBLY (Series 1 only - Large Pump)	Weil-McLain	-		X	X
10A	591-391-836	JUNCTION BOX - WIRING HARNESS ASSEMBLY (Series 2 & 3 Packaged only)	Weil-McLain	-		X	X
NS	591-391-837	JUNCTION BOX - WIRING HARNESS ASSEMBLY (Series 2 & 3 A & B only)	Weil-McLain	-		X	X
11	591-391-854	JUNCTION BOX COVER ASSEMBLY with service switch	Weil-McLain	-		X	X
12	591-391-850	BURNER HARNESS ASSEMBLY	Weil-McLain	-		X	X
NS	426-700-268	FLUE PIPE BRACKETS (Set of 2)	Weil-McLain	-		X	X
NS	590-921-599	Tankless Heater - water boiler, includes heater, gasket, nuts and studs. For boiler size WTGO-3L	Heat Transfer Products	WT-11			
NS	590-921-612	Tankless Heater - water boiler, includes heater, gasket, nuts and studs. For boiler sizes WTGO-3, 4, 5, & 6	Heat Transfer Products	WT-14			
NS	590-921-612	Tankless Heater - water boiler, includes heater, gasket, nuts and studs. For boiler sizes WTGO-7, 8, & 9	Heat Transfer Products	WT-20			

SGO Series 3 Section Assembly



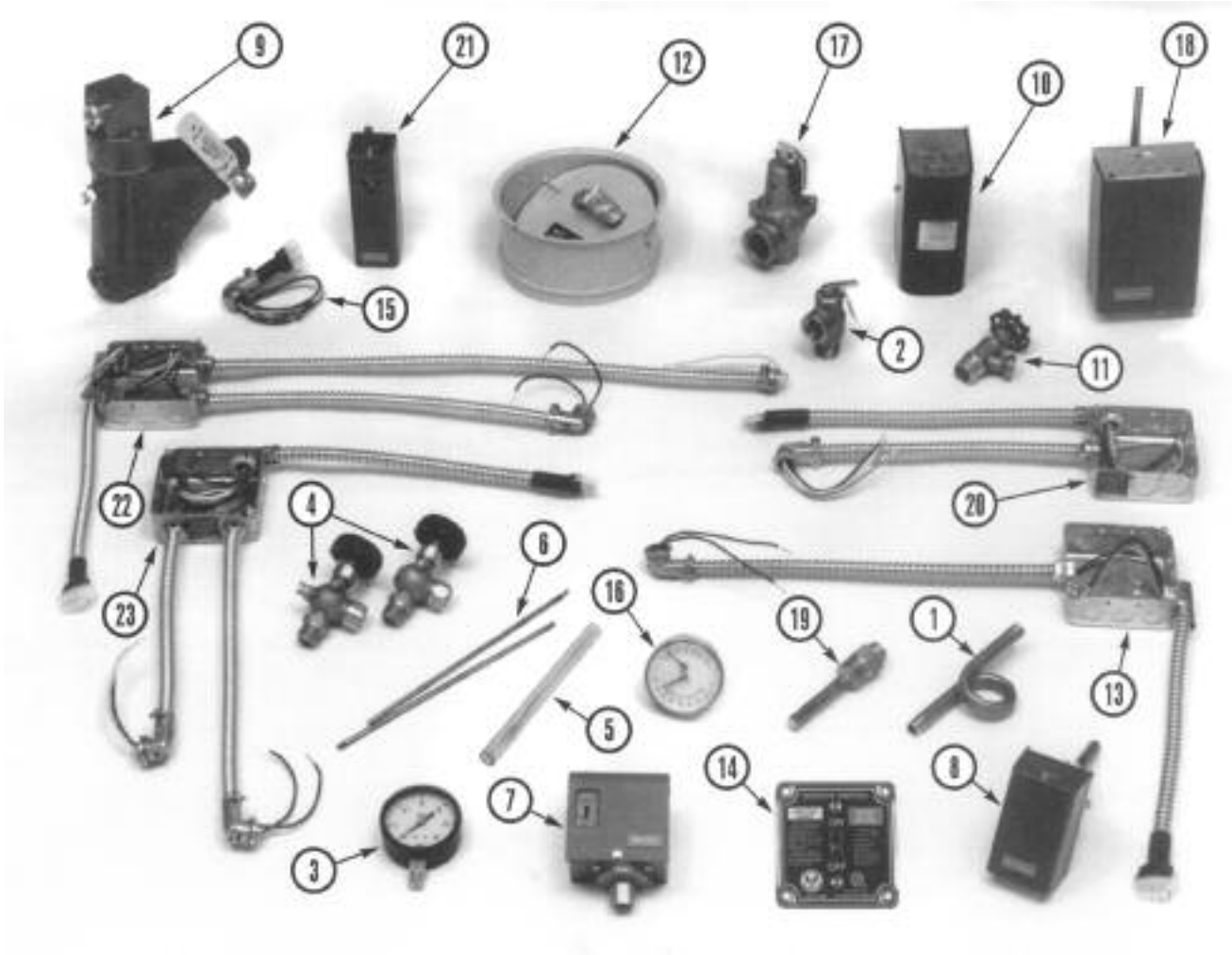
0244-056

OIL

SGO Series 3 Section Assembly

Fig. No.	Part No.	Description	Casting No.	Notes	Boiler Size							
					3	4	5	6	7	8	9	
A	316-700-245	FRONT SECTION, WIDE	7011		1	1	1	1	1	1	1	1
B	316-700-065	INTERMEDIATE SECTION, NARROW	7015		1	2	3	4	3	4	5	
C	316-700-070	INTERMEDIATE SECTION, w/DRAW ROD LUGS	7016						2	2	2	
D	316-700-265	BACK SECTION w/2 1/2" SUPPLY & 2 1/2" RETURN	7017		1	1	1	1	1	1	1	1
E	386-700-851	INTERMEDIATE SECTION REPLACEMENT KIT (Includes: seals, rope and adhesive for one joint)	-		-	1	2	3	4	5	6	
	386-700-852	REAR SECTION REPLACEMENT KIT (Includes: seals, rope, adhesive and collector hood fasteners for front & rear sections)	-		1	1	1	1	1	1	1	1
	386-700-855	FRONT SECTION REPLACEMENT KIT (Includes: seals, rope, adhesive and collector hood fasteners for front & rear sections)	-		1	1	1	1	1	1	1	1
H	389-900-103	HEATER COVER PLATE CARTON	-		1	1	1	1	1	1	1	1
	386-700-665	REPLACEMENT SECTION ASSEMBLY COMPLETE w/JACKET	-		1							
	386-700-666	REPLACEMENT SECTION ASSEMBLY COMPLETE w/JACKET	-			1						
	386-700-667	REPLACEMENT SECTION ASSEMBLY COMPLETE w/JACKET	-				1					
	386-700-668	REPLACEMENT SECTION ASSEMBLY COMPLETE w/JACKET	-					1				
	386-700-669	REPLACEMENT SECTION ASSEMBLY L/JACKET	-						1			
	386-700-670	REPLACEMENT SECTION ASSEMBLY L/JACKET	-							1		
	386-700-671	REPLACEMENT SECTION ASSEMBLY L/JACKET	-								1	
F	386-700-340	COLLECTOR HOOD KIT SERIES 1 - 3	-		1							
	386-700-341	COLLECTOR HOOD KIT SERIES 1 - 3	-			1						
	386-700-342	COLLECTOR HOOD KIT SERIES 1 - 3	-				1					
	386-700-343	COLLECTOR HOOD KIT SERIES 1 - 3	-					1				
	450-020-191	COLLECTOR HOOD KIT SERIES 1 - 3							1			
	450-020-192	COLLECTOR HOOD KIT SERIES 1 - 3								1		
	450-020-193	COLLECTOR HOOD KIT SERIES 1 - 3									1	
S	386-700-344	FLUE CAP KIT SERIES 1 & 2 (Includes: cap, handle, rope & screws)	-		1	1	1	1	1	1	1	1
G	560-234-464	TIE ROD 1/2" X 5 1/2"	-						2	2	2	
	560-234-493	TIE ROD 1/2" X 12 1/4"	-		4							
	560-234-491	TIE ROD 1/2" X 10 3/4"	-						2			
	560-234-494	TIE ROD 1/2" X 13 3/8"	-						2	2		
	560-234-470	TIE ROD 1/2" X 14"	-							2	2	
	560-234-532	TIE ROD 1/2" X 15 3/8"	-			4						
	560-234-496	TIE ROD 1/2" X 16 1/2"	-								2	
	560-234-475	TIE ROD 1/2" X 18 1/2"	-				4					
	560-234-536	TIE ROD 1/2" X 21 5/8"	-					4				
	560-234-540	TIE ROD 1/2" X 24 3/4"	-						2			
	560-234-544	TIE ROD 1/2" X 28"	-							2		
	560-234-546	TIE ROD 1/2" X 31"	-								2	
	561-928-221	NUT, REGULAR HEX, 1/2" (2 required per rod)	-		8	8	8	8	8	8	8	16
	562-248-668	WASHER, MEDIUM SPLIT PLAIN LOCK, 1/2" (1 required per rod)	-		4	4	4	4	4	4	4	8
	386-700-355	COMBUSTION CHAMBER KIT (Includes: rear & front refractory, blanket & water glass)	-		1	1	1	1	1	1	1	1
	386-700-358	BURNER MOUNTING DOOR ASSEMBLY (Includes: door, observation port, rope, insulation & pins)	-		1	1	1	1	1	1	1	1
K	330-054-302	BURNER MOUNTING DOOR	7070		1	1	1	1	1	1	1	1
L	330-054-300	DOOR HINGE	7054		1	1	1	1	1	1	1	1
M	386-700-359	DOOR REFRACTORY	-		1	1	1	1	1	1	1	1
N	591-222-115	DOOR REFRACTORY BLANKET	-		1	1	1	1	1	1	1	1
P	460-039-867	OBSERVATION PORT SHUTTER	-		1	1	1	1	1	1	1	1
Q	590-735-104	DOOR SEAL ROPE, 55"	-		1	1	1	1	1	1	1	1
R	590-735-109	GLASS ROPE, 3/8" FOR COLLECTOR HOOD, 7'	-		1	1	1	1	1	1	1	1
	591-706-214	FLUE BRUSH	-		1	1	1	1	1	1	1	1
	590-317-579	Tankless heater gasket										
	560-340-577	Tankless heater nut and stud										

SGO Series 3 Trim

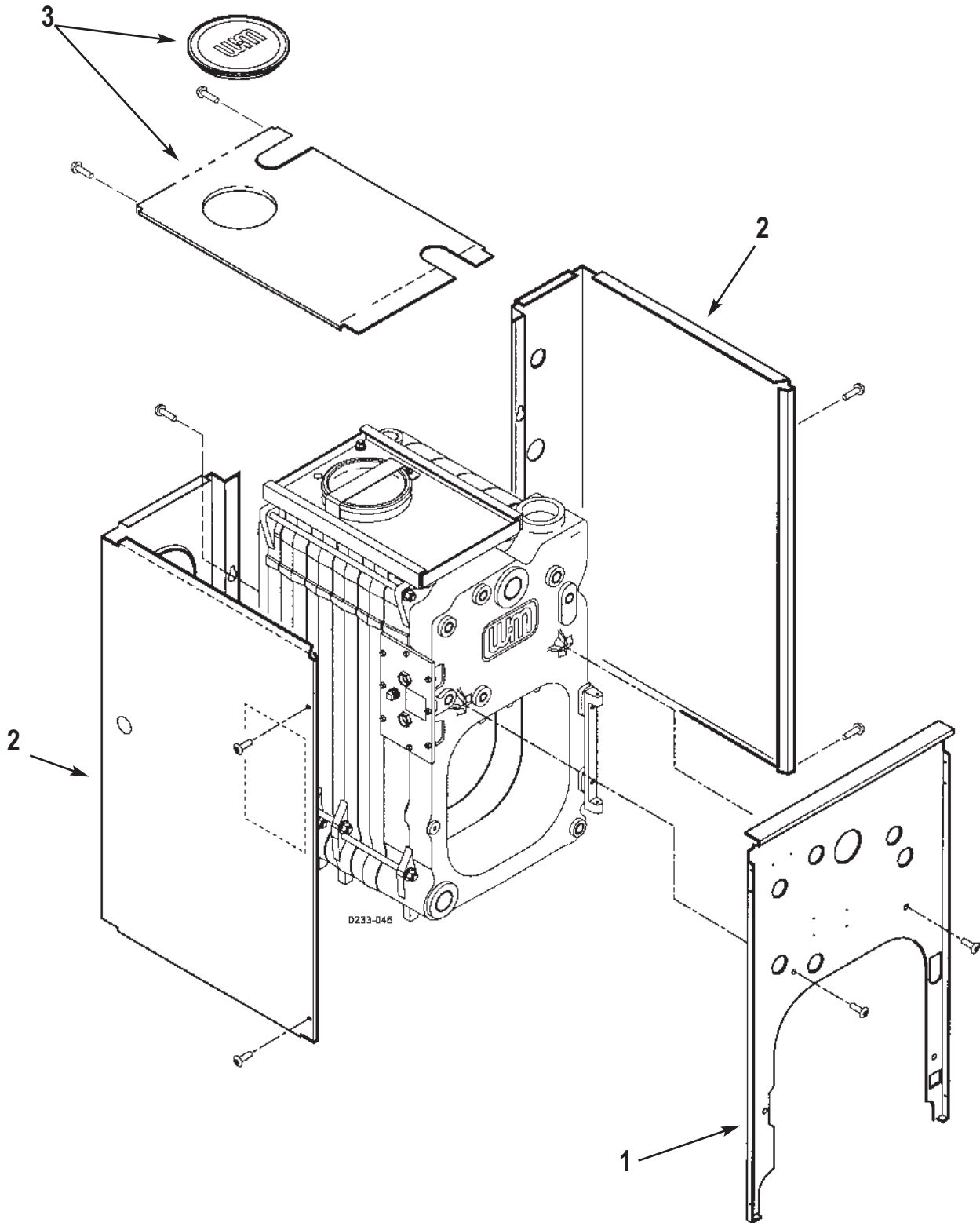


OIL

SGO Series 3 Trim

Fig. No.	Part No.	Description	Mfr.	Mfr.'s Part No.	Notes
1	560-640-698	SYPHON, 180° Bend, 1/4" brass pipe	-	-	
2	511-548-023	STEAM RELIEF VALVE, set to relieve at 15 P.S.I.G., 3/4 " N.P.T. inlet 3/4" N.P.T. side outlet, 300 lbs./hr steam capacity	Watts	315	
		STEAM RELIEF VALVE, set to relieve at 15 P.S.I.G., 3/4 " N.P.T. male inlet 3/4" N.P.T. female side outlet, 407 lbs./hr steam capacity	Conbraco	13-511-08	
3	510-218-035	STEAM PRESSURE GAUGE, 0-30 P.S.I.G., 2 1/2" dial, bottom connection, 1/4" N.P.T. Spec. 163278	Ametek	P500	
3	510-218-045	Steam Pressure Gauge, 0-30 P.S.I.G.	Ametek	PSOSK	
4	510-218-135	GAUGE COCK SET, B15, standard stem	Conbraco	20-205-03B15	
5	383-600-001	Gauge glass kit, includes glass, gaskets and brass washers	Weil-McLain	-	
6	563-334-597	WATER GAUGE GLASS GUARD, 10 5/8" long	Weil-McLain	-	
7	510-312-135	HIGH PRESSURE LIMIT CONTROL, operating range 0.5-9 P.S.I., additive differential 1-5 P.S.I.	Honeywell	PA404A1009	
		HIGH PRESSURE LIMIT CONTROL, operating range 0-15 P.S.I., differential 2-8 P.S.I.	Johnson Controls	P-47AA-25D	
8	510-312-209	HIGH LIMIT TEMPERATURE CONTROL, spst, automatic recycle with 3/4" well (used in tankless heater kit)	Honeywell	L4080B1311	
		HIGH LIMIT TEMPERATURE CONTROL, spst, automatic recycle with 3/4" well (used in tankless heater kit)	White-Rodgers	11B83-16	
9	511-114-495	LOW WATER CUTOFF, float type	McDonnell-Miller	67W-2	
10	511-114-507	LOW WATER CUTOFF, probe type	McDonnell-Miller	PS801-120	
		LOW WATER CUTOFF, probe type	Hydrolevel	45-400	
11	511-210-423	DRAIN COCK, 3/4", 1 1/2" shank	Conbraco	31-606-01	
	511-246-392	DRAIN COCK, 3/4"	Hammond	710	
		DRAIN COCK, 3/4"	Watts	BD2C	
		DRAIN COCK, 3/4"	Matco-Norca		
		DRAIN COCK, 3/4"	Nibco	#74	
12	510-512-267	BALANCED DRAFT DAMPER (BAROMETRIC) 7"	Effikal	ESOC	
13	591-391-848	JUNCTION BOX WIRING HARNESS ASSEMBLY (A & B only)	Weil-McLain	-	
14	591-391-854	JUNCTION BOX COVER ASSEMBLY with service switch	Weil-McLain	-	
15	591-391-850	BURNER HARNESS ASSEMBLY	Weil-McLain	-	
16	592-300-006	IMMERSION WELL, 3/4" N.P.T., 3 1/8" bulb, standard shank	Honeywell	123870A	
		IMMERSION WELL, 3/4" N.P.T., 3 1/8" bulb, standard shank	Heat Transfer	PMW-3S	
18	510-311-030	High Temperature limit control relay, 180-220° F., full load on circulator control circuit, 7.4 amps @ 120 VAC, supplies 24 VAC to thermostat with .2 amps anticipator current			
	592-300-006	3/4" well for above limit			
20	591-391-837	SGO Water Harness	Weil-McLain		
21	510-311-024	LIMIT CONTROL without well, spdt	Honeywell	L6006A1251	
22	591-391-842	JUNCTION BOX-WIRING HARNESS ASSEMBLY (S-GO float low water cutoff only - Packaged only)	Weil-McLain	-	
23	591-391-844	JUNCTION BOX-WIRING HARNESS ASSEMBLY (S-GO probe low water cutoff only - Packaged only)	Weil-McLain	-	
NS	426-700-268	FLUE PIPE BRACKETS (Set of 2)	Weil-McLain	-	
NS	590-921-903	Tankless Heater - steam boiler, includes heater, gasket, nuts and studs. For SGO-3 thru 9	Heat Transfer Products	35-S-29	

GOLD Oil Jackets

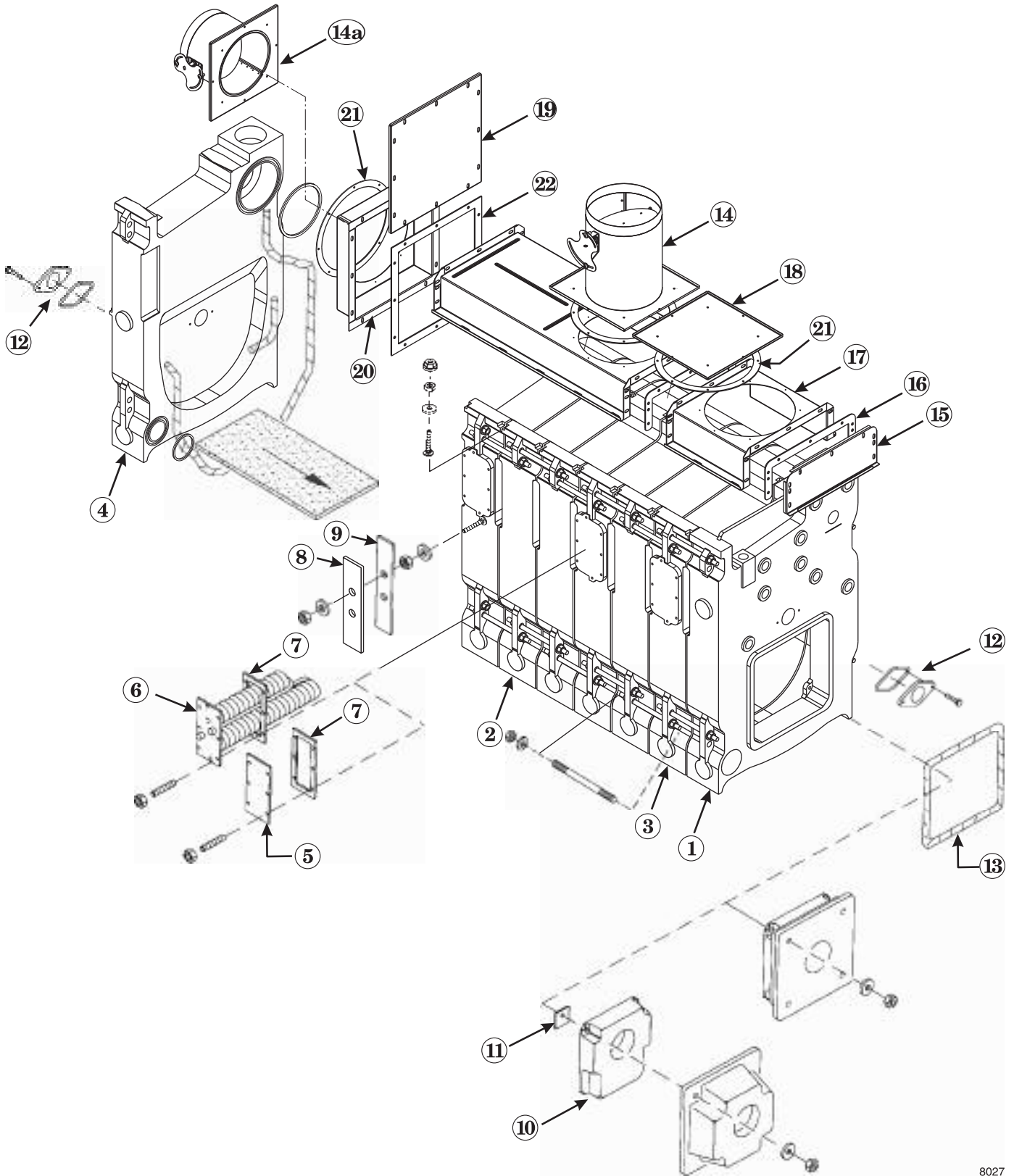


OIL

GOLD Oil Jackets

SERIES 2 & 3 JACKETS						
Fig. No.	Part No.	Description	Boiler Size			Notes
			WGO	WTGO	SGO	
1	426-700-216	FRONT JACKET PANEL	ALL			
	426-700-214	FRONT JACKET PANEL		ALL		
	426-700-218	FRONT JACKET PANEL			ALL	
2	426-700-275	LH/RH SIDE JACKET PANELS & BACK	2	3L		
	426-700-276	LH/RH SIDE JACKET PANELS & BACK	3-4	3-4	3	
	426-700-277	LH/RH SIDE JACKET PANELS & BACK	5	5	4	
	426-700-278	LH/RH SIDE JACKET PANELS & BACK	6	6	5	
	426-700-279	LH/RH SIDE JACKET PANELS & BACK			6	
3	426-700-280	TOP JACKET PANEL WITH CAP	2	3L		
	426-700-281	TOP JACKET PANEL WITH CAP	3-4	3-4		
	426-700-282	TOP JACKET PANEL WITH CAP	5	5		
	426-700-283	TOP JACKET PANEL WITH CAP	6	6		
	426-700-284	TOP JACKET PANEL WITH CAP			3	
	426-700-285	TOP JACKET PANEL WITH CAP			4	
	426-700-286	TOP JACKET PANEL WITH CAP			5	
	426-700-287	TOP JACKET PANEL WITH CAP			6	
	386-700-853	JACKET HARDWARE KIT	ALL	ALL	ALL	
	592-000-000	Gold Touch up paint, spray can				

80 Boiler



GAS/OIL

8027

80 Boiler

Item number	Description	Weil-McLain part number
1	Front section	315-700-100
2	Intermediate section, regular Intermediate section with special side tappings Intermediate section, supply (steam boilers)	315-700-120 315-700-130 315-700-150
3	Intermediate section, tankless	315-700-140
4	Back section	315-700-110
not shown	Section assembly kit (includes for one joint: sealing rope, sealing rope adhesive, sealing rings, silicone sealant)	385-800-205
5	Heater cover plate carton (includes: cover plate, gasket, studs, nuts)	385-700-200
6	Tankless heater carton (includes tankless heater, gasket, studs, nuts)	590-921-917
7	Heater gasket	590-317-550
8	Cleanout plate	450-030-928
9	Cleanout plate gasket	590-317-303
10	Burner mounting plate, front refractory 4½" burner opening 6⅞" burner opening	591-000-070 591-000-072
11	Refractory retainer clip	562-650-105
12	Observation port assembly (includes: observation port assembly, sealing rope, screws)	385-600-099
13	Sealing rope 1/2" x 10' packaged	590-735-254
not shown	Combustion chamber kit (includes: back refractory blanket, bottom refractory blanket, adhesive, sealing rope, sealing rope adhesive)	385-700-220
14	Flue damper assembly, top flue boilers 8" 380-680 10" 780-1180 12" 1280	425-800-090 425-800-091 425-800-092
14a	Flue damper assembly, rear flue boilers 8" 380-680 10" 780-1180 12" 1280	425-800-096 425-800-097 425-800-098
not shown	Flue collector hood hardware kit (includes: flue collector hardware plus collector hood gasket kit, below)	385-800-215
15	Flue collector hood end cap	463-000-003
Not shown	Collector hood gasket kit (includes: (2) flue collector hood gasket, (3) circular collector hood gaskets, (1) rectangular collector hood gasket, flat-stitched sealing rope, double-faced tape)	385-800-218
16	Flue collector hood gasket	Included in gasket kit
17	Flue collector hoods	450-020-300 450-020-301 450-020-302 450-020-303 450-020-304
18	Flue cap	Included with flue damper assembly
19	Flue cap rear	
20	Rear flue transition box	
21	Circular collector hood gasket	Included in gasket kit
22	Rectangular collector hood gasket	Included in gasket kit
NS	7.5" top elastomer seal	592-800-008
NS	3.5" bottom elastomer seal	592-800-009
NS	5/8 x 11" draw rod (4 per joint)	560-134-495
NS	5/8 Hex nut (2 per draw rod)	561-928-224
NS	5/8 washer (1 per draw rod)	562-248-710

80 Boiler Water Trim

Fig. No.	Part No.	Description	Mfg.	Mfg.'s Part No.	Boiler Size	Notes
	511-546-924	ASME Pressure Relief Valve, Set to relieve at 30 PSIG, 3/4" N.P.T. female inlet, brass, 3/4" female side outlet, rated at 375,000 BTUH	Watts	M330	3, 4	
		ASME Pressure Relief Valve, Set to relieve at 30 PSIG, 3/4" N.P.T. female inlet, brass, 3/4" female side outlet, rated at 535,000 BTUH	Conbraco	10-408-05		
	511-546-925	ASME Pressure Relief Valve, Set to relieve at 30 PSIG, 3/4" N.P.T. female inlet brass, 3/4" female side outlet, rated at 925,000 BTUH	Watts	740	5,6,7,8	
	511-546-930	ASME Pressure Relief Valve, Set to relieve at 30 PSIG, 1" N.P.T. female inlet, 1 1/4" female side outlet, rated at 1,300,000 BTUH	Watts	740	9,10,11	
	511-546-935	ASME Pressure Relief Valve, Set to relieve at 30 PSIG, 1 1/4" N.P.T. female inlet, brass, 1 1/2" female side outlet, rated at 2,105,000 BTUH	Watts	740	12	
	510-218-099	Combination Pressure Temperature Gauge, 2 1/2" dia. Dial, 0-70 PSIG, 60-320 deg. F., short shank, back connection, 1/4" N.P.T.	Ametek	199994	All	
			ENFM-USA	4104-2-12-1/4 CBM	All	
	510-312-065	Combination High Limit/Low Limit Control, High limit: 140-240 deg. F., Low limit: 140-240 deg. F., with 5-35 deg. F. adjustable differential: Low limit must be set 20 deg. F. below high limit	White-Rodgers	11C30-3	All	
		Combination High Limit/Low Limit Control, High limit: 140-240 deg. F., Low limit: 140-240 deg. F., with 5-35 deg. F. adjustable differential: Low limit must be set 20 deg. F. below high limit	Honeywell	L4081A-1189	All	
	590-921-917	Tankless Heater - includes heater, gasket, nuts and studs.	Heat Controller	78-34		

80 Boiler Steam Trim

Fig. No.	Part No.	Description	Mfg.	Mfg.'s Part No.	Boiler Size	Notes
	511-548-020	Steam Relief Valve, Set to relieve at 15 PSIG, 3/4" N.P.T. inlet, 3/4" side outlet, 446 lbs./hr. steam capacity	Watts	415	3,4	
		Steam Relief Valve, Set to relieve at 15 PSIG, 3/4" N.P.T. inlet, 3/4" side outlet, 446 lbs./hr. steam capacity	Conbraco	13-211-08		
	511-548-046	Steam Relief Valve, Set to relieve at 15 PSIG, 1" N.P.T. inlet, 1" side outlet, 643 lbs./hr. steam capacity	Conbraco	13-202-08	5,6	
	511-548-051	Steam Relief Valve, Set to relieve at 15 PSIG, 1 1/4" N.P.T. inlet, 1 1/2" side outlet, 1200 lbs./hr. steam capacity	Conbraco	13-213-08	7,8,9,10	
	511-548-052	Steam Relief Valve, Set to relieve at 15 PSIG, 1 1/2" N.P.T. inlet, 2" side outlet, 1900 lbs./hr. steam capacity	Conbraco	13-214-08	11,12	
	510-312-135	Steam Pressure Control, cut in 0-9 psi, additive differential 0 to 5 psi, 1/4" N.P.T. bottom connection	Honeywell	PA404A-1009	All	
	510-218-100	Combination Pressure Vacuum Gauge, 0-30 psig, 0-30" Hg., 4 1/2" dial, 1/4" N.P.T. bottom connection	U. S. Gauge	C500-5549	All	
	510-218-145	Water Gauge Class Cock Set, 1/2" N. P. T. male inlet	Conbraco	21-205-03W	All	
	383-600-002	Gauge Glass, 10 5/8" long x 5/8" diameter with gaskets	Weil-Mclain		All	
	563-334-595	Gauge Glass Guards, 12 1/2" long x 3/16" diameter	Weil-Mclain		All	
	590-921-917	Tankless Heater - includes heater, gasket, nuts and studs.	Heat Controller	78-34		

NOTES

GAS/OIL

88 Section Assembly

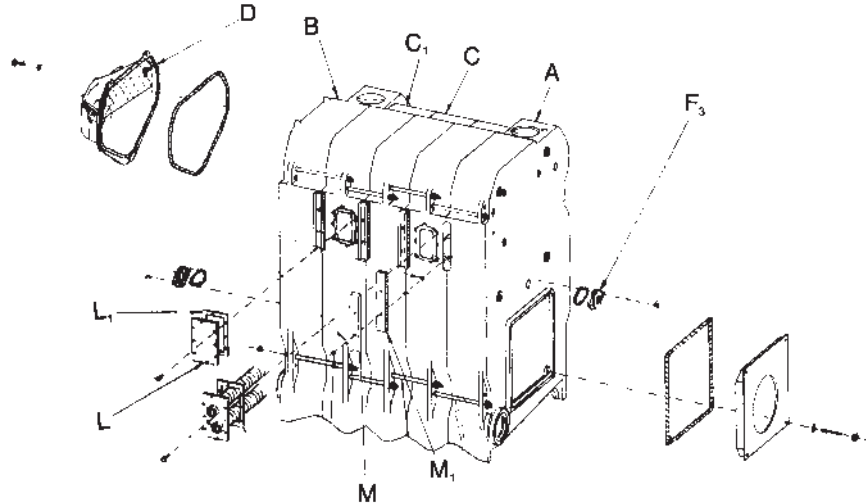


Fig. No.	Part No.	Description	Notes
	316-301-154	Front Section – 8813 – 80 P. S. I.	
B	316-301-174	Back Section – 8818 – 80 P. S. I.	■
C	316-301-164	Regular Intermediate Section – 8815 – 80 P. S. I.	■
C1	316-301-169	Tankless Intermediate Section – 8816 – P. S. I.	■
	316-301-159	Supply Intermediate Section w/ 5" N.P.T. Supply Outlet Tapping – 8814 – 80 P. S. I.	■
	386-300-213	86/88 Section Replacement Kit (Incl. rope, seals, sealant, rope adhesive)	
	560-134-495	5/8" x 11" Draw Rod w/o Nut (4 per joint) Int. to Int.	
	560-134-505	5/8" x 13" Draw Rod w/o Nut (4 per joint), Frt. or Bk. to Int.	
	561-928-224	5/8-11 Nut Hex (2 per draw rod)	
	562-248-710	5/8" Washer (1 per draw rod)	
	590-735-140	1/2" Dia. Sealing Rope type HD-500 (13' per joint, 7" for burner plate, 6' for collar)	
	590-735-145	1/8" Dia. Wick (1 for damper locking plate) Type FNS 125	
	590-735-150	3/8" Dia. Sealing Rope (1' per observation port) Type MD-375	
	591-638-851	Silicone Sealant RTV700, 3 oz.	
	591-641-850	Construction Adhesive for Sealing Rope, 11 oz.	
	591-706-214	Flue Brush, 123 DMG	■
	592-800-005	Square Cut Seal, 9" (1 per joint)	
	592-800-007	Square Cut Seal, 6" (1 per joint)	
D	340-004-606	Flue Collar Assembly, 10" (Includes Flue Collar, Damper, Damper Quadrant, Locking Plate, Swivel and Brackets) (488-688)	
D	340-004-607	Flue Collar Assembly, 12" (Includes Flue Collar, Damper, Damper Quadrant, Locking Plate, Swivel and Brackets) (788-888)	
D	340-004-608	Flue Collar Assembly, 14" (Includes Flue Collar, Damper, Damper Quadrant, Locking Plate, Swivel and Brackets) (988-1388)	
D	340-004-609	Flue Collar Assembly, 16" (Includes Flue Collar, Damper, Damper Quadrant, Locking Plate, Swivel and Brackets) (1488-1688)	
D	340-004-612	Flue Collar Assembly, 18" (Includes Flue Collar, Damper, Damper Quadrant, Locking Plate, Swivel and Brackets) (1788-1888)	
	330-056-634	Quadrant for Flue Collar	
	460-003-646	Damper Blade for Flue Collar	
	563-530-784	Damper Locking Plate for Flue Collar	
F3	385-600-099	Observation Port Assembly (Includes Frame, Sealing Rope, Plugs and Sight Glass)	
	590-317-580	Washer for Sight Glass, 2 1/8" x 1 1/4" x 1/8"	
	591-419-199	Sight Glass, 2" Round x 1/8"	
L	450-030-934	Cover Plate for Heater Opening (Rectangular)	
L1	590-317-579	Gasket for Heater Cover Plate (Rectangular)	
M	450-030-925	Cleanout Plate (1 per joint)	
M1	591-221-271	Cleanout Plate Gasket, 1/2" x 2-7/8" x 15 1/2"	
NS	Available locally	Cleanout bolts and nuts, (2 per cleanout) 1/4" 20 1.75 zinc plated, carriage bolts, 1/4" plain washer, 1/4" – 20 hex nut	
NS	386-300-211	88 Combustion Chamber Kit	
NS	560-340-577	3/8" x 1 1/8" stud & nut for heater cover plate	
	591-632-612	Waterglass (4 oz. Bottle)	

■ Indicates current TPS R/C product

88 Water Trim



Fig. No.	Part No.	Description	Mfr.	Mfr.'s Part No.	88 Series 1 Boiler Size	Notes
1	511-546-930	ASME Pressure Relief Valve, Set to Relieve at 30 PSIG, 1" Inlet x 1 1/4", Brass, Side Outlet	Watts	740	4, 5	
1	511-546-935	ASME Pressure Relief Valve, Set to Relieve at 30 PSIG, 1 1/4" Inlet x 1 1/2", Brass, Side Outlet	Watts	740	6 - 8	
1	511-546-940	ASME Pressure Relief Valve, Set to Relieve at 30 PSIG, 1 1/2" Inlet x 2", Brass, Side Outlet	Watts	740	9 - 11	
1	511-546-945	ASME Pressure Relief Valve, Set to Relieve at 30 PSIG, 2" Inlet x 2 1/2", Brass, Side Outlet	Watts	740	12 - 18	
2	510-312-065	Combination High Limit/Low Limit Control, with Well HIGH LIMIT: 130-240° F., LOW LIMIT: 115-240° F	Honeywell	L4081A1189	All Sizes	
2	510-312-065	Combination High Limit/Low Limit Control, with Well HIGH LIMIT: 130-240° F., LOW LIMIT: 115-240° F	White-Rogers	11C30-3	All Sizes	
3	510-218-065	Combination Pressure-Temperature Gauge, 0-55 PSIG, 60-260° F, Back Connection, 1/2" N.P.T., 3 1/2" Shank	ENFM	4104-3.25	All Sizes	
3	510-218-065	Combination Pressure-Temperature Gauge, 0-55 PSIG, 60-260° F, Back Connection, 1/2" N.P.T., 3 1/2" Shank, Spec 144435	Ametek	PT1088	All Sizes	
3	510-218-065	Combination Pressure-Temperature Gauge, 0-55 PSIG, 60-260° F, Back Connection, 1/2" N.P.T., 3 1/2" Shank, G22528	Marshalltown	13HJ	All Sizes	
3	510-218-099	Combination Pressure-Temperature Gauge, 0-55 PSIG, 60-260° F, Back Connection, 1/2" N.P.T., 2 1/2" Shank, Spec 199994	Ametek	PTA1088	All Sizes	
3	510-218-099	Combination Pressure-Temperature Gauge, 0-55 PSIG, 60-260° F, Back Connection, 1/2" N.P.T., 2 1/2" Shank, Spec 199980	Ametek	PTA1088	All Sizes	
3	510-218-099	Combination Pressure-Temperature Gauge, 0-55 PSIG, 60-260° F, Back Connection, 1/2" N.P.T., 2 1/2" Shank	ENFM	4104-2.50	All Sizes	
	590-921-909	Tankless Heater - includes heater, gasket, nuts and studs.	Heat Controller	820		

GAS/OIL

88 Steam Trim

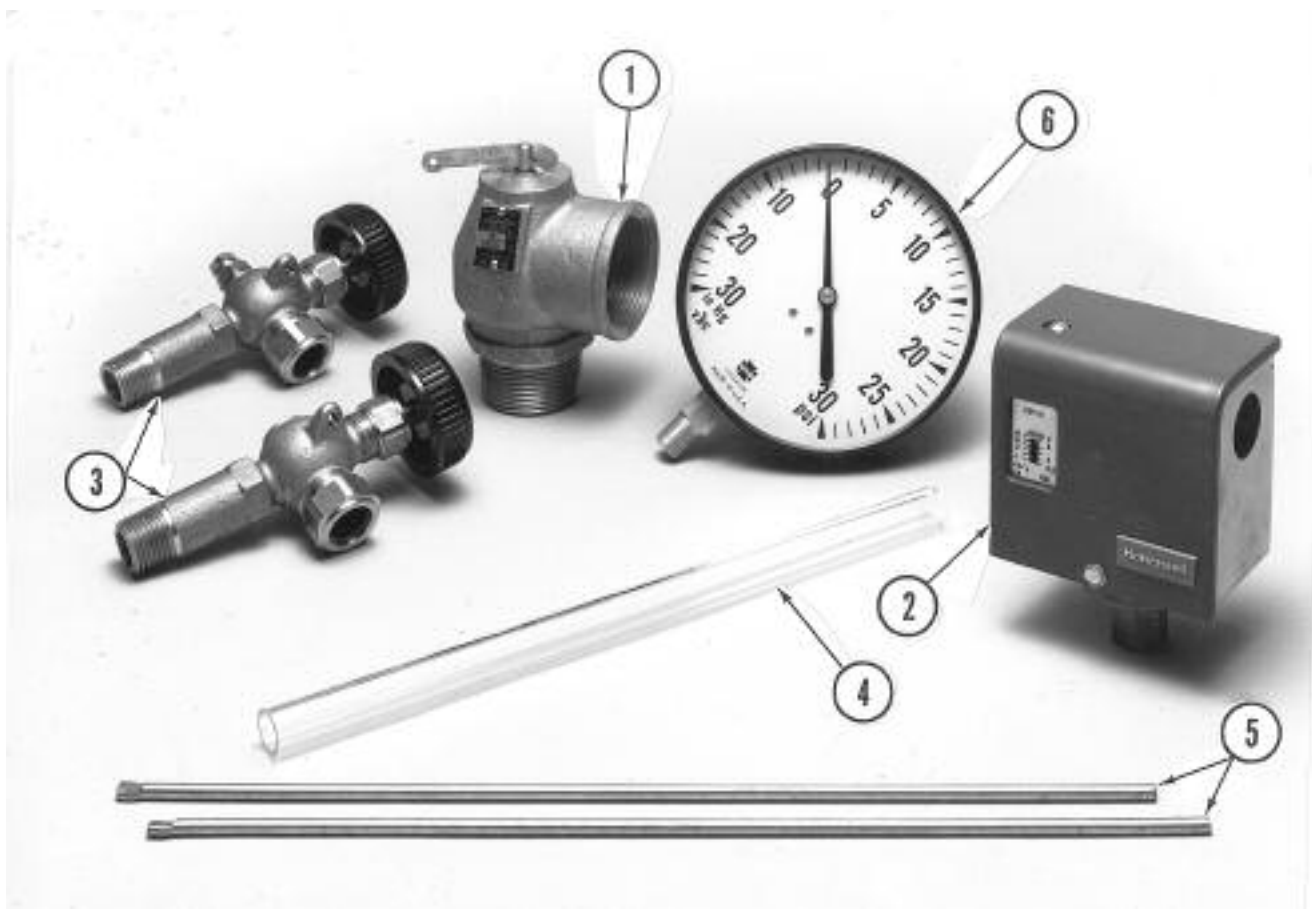
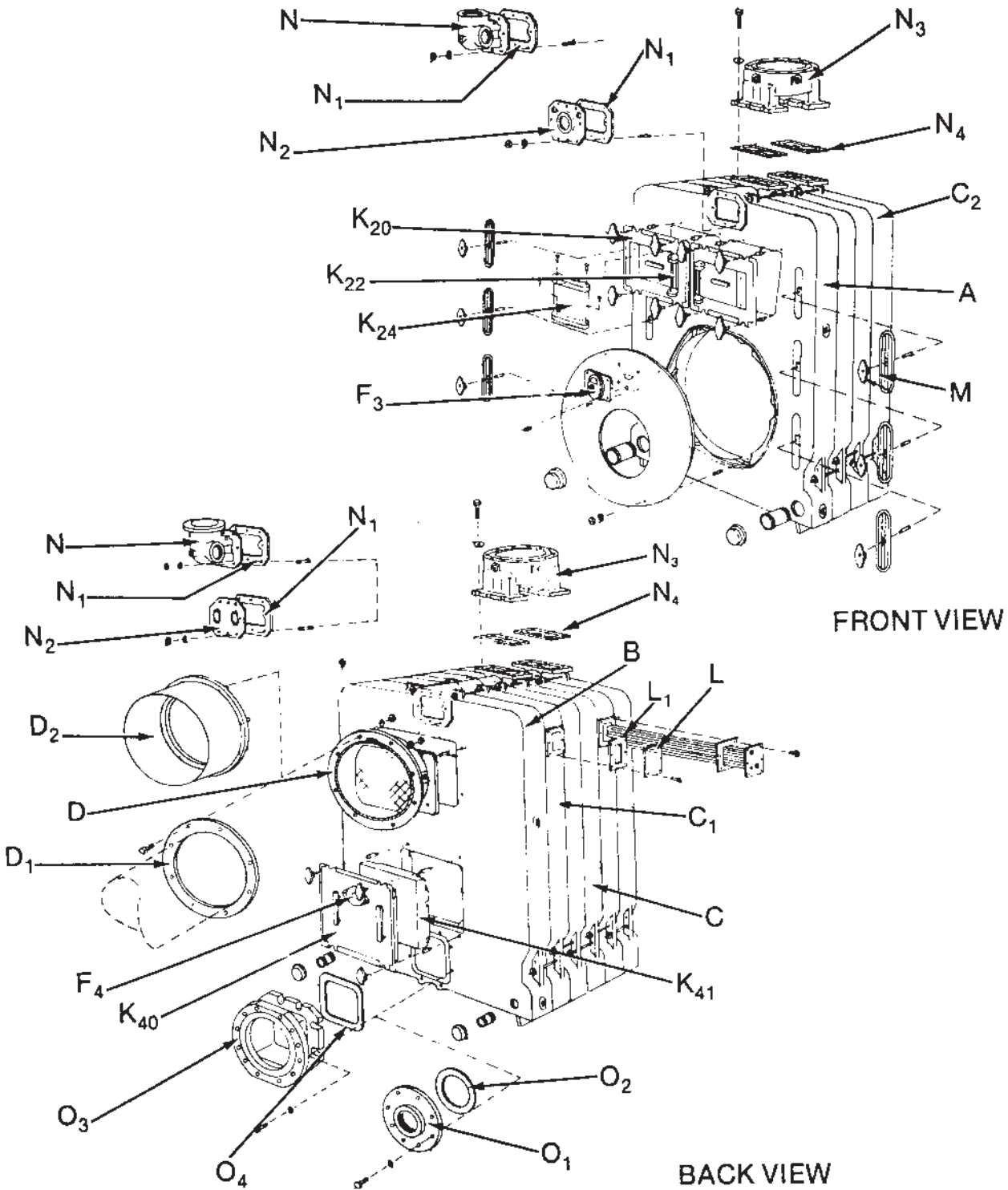


Fig. No.	Part No.	Description	Mfr.	Mfr.'s Part No.	Boiler Size	Notes
1	511-548-046	Steam Safety Valve, 1" N.P.T. Inlet, Side Outlet, 643 lbs/hr. Capacity, Brass	Conbraco	13-202-08	11	
1	511-548-051	Steam Safety Valve, 1 1/4" N.P.T. Inlet, Side Outlet, 1,200 lbs/hr. Capacity, Brass	Conbraco	13-213-08	4 - 5 12 - 14	
1	511-548-052	Steam Safety Valve, 1 1/2" N.P.T. Inlet, Side Outlet, 1,900 lbs/hr. Capacity, Brass	Conbraco	13-214-08	6 - 7	
1	511-548-056	Steam Safety Valve, 2" N.P.T. Inlet, Side Outlet, 2,500 lbs/hr. Capacity, Brass (2 Req'd on Sizes 15 - 18)	Conbraco	13-205-08	(1 req'd) 8-14 (2 req'd) 15-18	
2	510-312-135	High Pressure Limit, Operating Range: 0-9 PSIG, Differential: 0-5 PSIG	Honeywell	PA404A-1009	(2 req'd) All Sizes	
2	510-312-135	High Pressure Limit, Operating Range: 0-9 PSIG, Differential: 0-5 PSIG	Johnson Controls	P47EA-3D	(2 req'd) All Sizes	
3	510-218-145	Water Gauge Glass Cocks, Set of 2, 1/2" N.P.T., Male Inlet	Conbraco	21-205-03-W	All Sizes	
4	383-600-002	Water Gauge Glass Kit, includes glass, gaskets and brass washers	Weil-McLain		All Sizes	
5	563-334-595	Gauge Glass Guard, 12 1/2" Long x 3/16" Dia.	Weil-McLain		(2 req'd) All Sizes	
6	510-218-100	Combination Pressure-Vacuum Gauge, 0-30 PSIG, 0-30" High, 4 1/2" Dial, Bottom Connection, 1/4" N.P.T.	Ametek	USC500-5549	All Sizes	
	590-921-909	Tankless Heater - includes heater, gasket, nuts and studs.	Heat Controller	820		

Note: Boiler Sizes 12 - 14 Require (2) Steam Safety Valves - (1) 511-548-051 and (1) 511-548-056

94 Section Assembly



GAS/OIL

94 Section Assembly

Fig. No.	Part No.	Description	Series No.	Notes
A	317-802-500	Front Section 9217	1,2	
A	318-102-505	Front Section 9517	3	
A	317-802-510	Front Section 9217, 80 PSI	3	
B	318-102-480	Back Section Water & Steam w/8" Return Flange 94118	1,2	
B	318-102-515	Back Section Water & Steam w/8" Return Flange 9518	3	
B	318-102-518	Back Section, Water & Steam w/8" Return Flange 9518, 80 PSI	3	
B	318-102-482	Back Section Water Only for 10" Return Flange Adapter 94218	1,2	
B	318-102-525	Back Section Water Only for 10" Return Flange Adapter 95218	3	
B	318-102-528	Back Section, water only, for 10" return flange adapter, 95218, 80 PSI	3	
C	318-102-538	Regular Intermediate Section, 9515, 80 PSI	3	
C	318-102-440	Reg. Intermediate Section 9415	1,2	
C	318-102-535	Reg. Intermediate Section 9515	3	
C1	318-102-450	Tankless Intermediate Section 9416	1,2	
C1	318-102-545	Tankless Intermediate Section 9516	3	
C1	318-102-548	Tankless Intermediate Section, 9516, 80 PSI	3	
C2	318-102-448	Supply Intermediate Section 9419	1,2	
C2	318-102-575	Supply Intermediate Section 9519	3	
C2	318-102-578	Supply Intermediate Section, 9519, 80 PSI	3	
	388-135-020	90-92-94 Split Nipple Replacement Kit (1 per Joint)	1,2	
	388-135-010	Section Assembly Kit (1 per Joint)	3	
	592-800-007	6" Dia. Bottom Elastomer Seal (2 per Joint)	3	
	592-800-005	9" Dia. Bottom Elastomer Seal (1 per Joint)	3	
	560-134-490	5/8" X 10" Draw Rod w/o Nut, Intermediate to Intermediate (4 per Joint)	1,2,3	
	560-134-495	5/8" X 11" Draw Rod w/o Nut, Front or Back to Intermediate (4 per Joint)	1,2,3	
	561-928-224	5/8" Nut (2 per Draw Rod)	1,2,3	
	562-248-710	5/8" Washer (1 per Draw Rod)	1,2,3	
	591-706-185	Flue Brush	1,2,3	
	591-706-222	Flue Brush Rod, 44"	1,2,3	
	591-706-223	Flue Brush Rod, 62"	1,2,3	
	591-706-240	Flue Brush Spacer, 48"	1,2,3	
	591-706-226	Flue Brush Handle, Flexible Wire	1,2,3	
	590-735-145	1/8" Dia. Sealing Wick, (3' for Front Observation Port, 1' for Relief Plate Stud, 1' for Damper Locking Plate)- TP500 Type FNS 125	1,2,3	
	590-735-150	3/8" Dia. Sealing Rope, (6' for Rear Access Shield, 2' for Rear Observation Port, 2' for Rear Observation Port, 12' for Draft Hood Counter Flange, 3' per Cleanout Plate)- TP1000 MD375	1,2,3	
	590-735-140	1/2" Dia. Sealing Rope (9' per Burner Plate, 6' for Draft Hood Collar, 6' for Rear Access Door, 6' for Clearout Door)- TP500 Type HD-500	1,2,3	
	590-735-154	5/8" Dia. Silicone Coated Sealing Rope for Section Perimeter, 22' Cut	1,2,3	
	590-735-153	5/8" Dia. Sealing Rope- TP500 Type XL-625-60-5, 12' Cut Length	1,2,3	
	591-641-850	Construction Adhesive for Sealing Rope (11 oz. Tube)	1,2,3	
	591-638-855	Sealant, Loctite AVV, 50 cc Bottle	1,2	
	591-638-851	Silicone Sealant (RTV 108 or Equivalent) (3 oz. tube)	3	
D	340-004-616	Flue Collar Assembly, 20" (Includes Flue Collar w/Flange, Damper, Damper Quadrant, Locking Plate, Swivel, Bracket, Counterflange and Rope)	1,2,3	

94 Section Assembly

	330-056-634	Quadrant Flue Collar 8474	1,2,3	
	460-003-640	Damper Blade for Flue Collar	1,2,3	
	563-530-784	Damper Locking Plate	1,2,3	
	560-340-570	Stud 1/2" X 4-1/4" DAP 104A	1,2,3	
D1	460-030-930	Counterflange for 20" Flue	1,2,3	
D2	460-030-936	Flue Adapter, 22", Steel	1,2,3	
F3	340-004-620	Front Observation Port Assembly #462 (Includes Bottom, Intermediate and Top Observation Port Plates, Spring, Rope and Sight Glass)	1,2,3	
F4	385-600-099	Back Observation Port Assembly (Includes Frame, Rope, Gasket, Plugs and Sight Glass)	1,2,3	
	591-419-199	Back Sight Glass	1,2,3	
	590-317-580	Washer For Back Sight Glass	1,2,3	
K20	340-004-740	Cleanout Door Assembly #474 (Includes Door, Hinge, Hinge Plate, Handle, Liner and Accessories)	1,2,3	
	340-004-635	Wing Nut Assembly with 3/8" X 1-1/4" Stud (Threads into Mounting Stud) 9256	1,2,3	
	560-340-560	Mounting Stud 92P112A	1,2,3	
K22	330-060-500	Hinge for Cleanout Door 9254	1,2,3	
K24	330-060-400	Hinge Plate for Cleanout door 9253	1,2,3	
	590-524-867	Liner for Cleanout Door	1,2,3	
K40	340-004-700	Back Access Door Assembly (Includes Door Liner, Handle and rope)	1,2,3	
	592-400-025	Refractory Liner for Back Access Door	1,2,3	
	560-340-560	Mounting Stud 92P112A	1,2,3	
K41	387-834-905	Refractory Shield for Back Access Opening	1,2,3	
L	387-800-500	Heater Cover Plate Carton (Includes Heater Plate, Studs, Gasket)	1,2,3	
M	330-061-000	Cleanout Plate 9254	1,2,3	
	330-060-700	Wing Nut Cleanout with 1/2" Tapping 9256	1,2,3	
	560-340-570	Stud 1/2" X 4-1/4" DAP 104A, 92P112A	1,2,3	
N	330-060-200	6" Supply Elbow, Water Only Tapped, 9246	1,2,3	
N	330-060-300	8" Supply Elbow, Water Only Tapped, 9248A	1,2,3	
N	330-060-310	8" Supply Elbow, Steam Only Tapped, 92481-S	1,2,3	
N1	590-317-546	Gasket for Supply Outlet (2 Required)	1,2,3	
	560-340-579	Stud 5/8" X 3" 92P151A	1,2,3	
N2	330-062-005	Cover Plate for Supply Outlet, 2-2", 9440	1,2,3	
	330-059-910	Cover Plate for Supply Outlet, 4", 92140	3	
N3	330-060-210	Top Supply Outlet, 10" Flanged, 92410	1,2,3	
N4	590-317-625	Gasket for Top Supply Outlet, 10" (2 Required per Fitting)	1,2,3	
O1	388-135-300	Return Flange Reducer, 8" to 6", 086	1,2,3	
O2	590-317-572	Gasket for Return Flange Reducer, Round	1,2,3	
O3	330-062-001	Return Flange Adapter, 10", 9410	1,2,3	
O4	590-317-620	Gasket for Return Flange Adapter, Rectangular	1,2,3	

94 Water Trim



Fig. No.	Part No.	Description	Mfr.	Mfr.'s Part No.	Boiler Size	Notes
1	511-546-930	ASME Pressure Relief Valve, 1" Inlet X 1-1/4" Side Outlet, Brass, 30 PSIG	Watts	740	21-23	
1	511-546-935	ASME Pressure Relief Valve, 1-1/4" Inlet X 1-1/2" Side Outlet, Brass, 30 PSIG	Watts	740	8,24-25	
1	511-546-940	ASME Pressure Relief Valve, 1-1/2" Inlet X 2" Side Outlet, Brass, 30 PSIG	Watts	740	9-10(1-Rqd) 20 (2-Rqd)	
1	511-546-945	ASME Pressure Relief Valve, 2" Inlet X 2-1/2" Side Outlet, Brass, 30 PSIG	Watts	740	11-19,21-25	
2	510-218-065	Combination Pressure-Temperature Gauge, 0-50 PSIG, 60-260°F, Back Connection, 1/2" N.P.T.	ENFM	#4104-3.25	All	
2	510-218-065	Combination Pressure-Temperature Gauge, 0-50 PSIG, 60-260°F, Back Connection, 1/2" N.P.T.	Ametek	PT 1088	All	
3	510-312-065	Combination High Limit/Low Limit Control High Limit: 130-240°F; Low Limit: 115-240°F	Honeywell	L4081A1189 with Well	All	
3	510-312-065	Combination High Limit/Low Limit Control High Limit: 130-240°F; Low Limit: 115-240°F	White-Rodgers	11C30-3	All	
	590-921-910	Tankless Heater - includes heater, gasket, nuts and studs.	Heat Controller	92-K-34		

94 Steam Trim

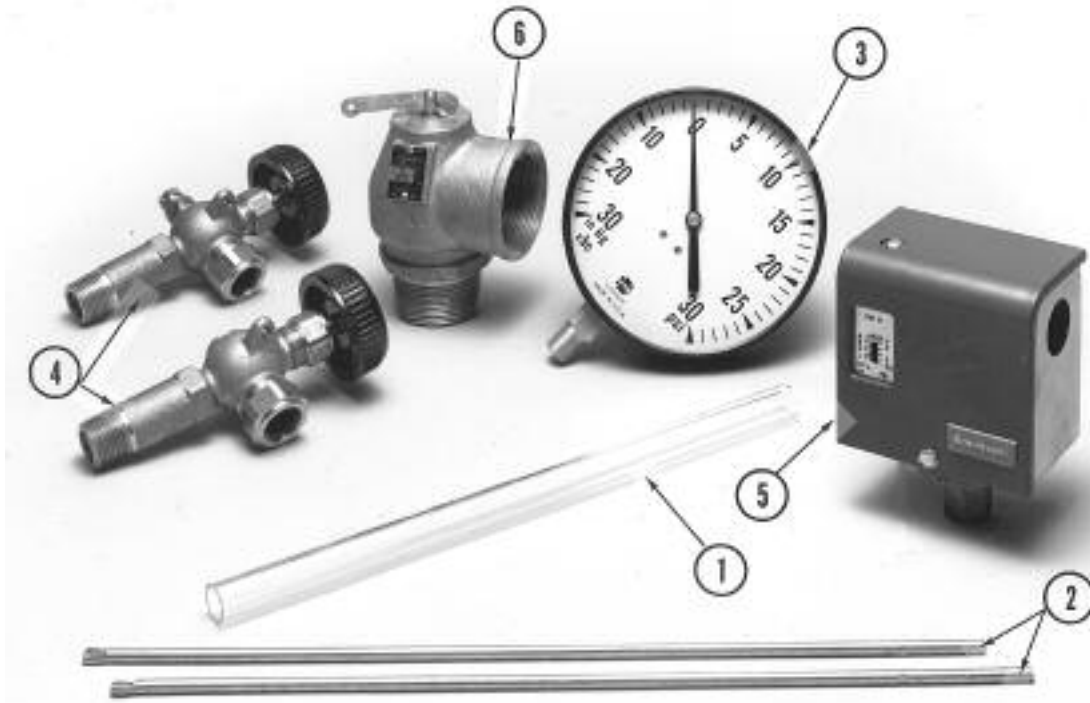


Fig. No.	Part No.	Description	Mfr.	Mfr.'s Part No.	Boiler Size	Notes
1	383-600-002	Gauge glass kit, includes glass, gaskets and brass washers	Weil-McLain		All	
2	563-334-595	Gauge Glass Guard, 3/16" Dia. X 12-1/2" Long	Weil-McLain		All (2 per Boiler)	
3	510-218-100	Combination Pressure-Vacuum Gauge, 0-30 PSIG, 0-30" Hg., 4-1/2" Dial, Bottom Connection, " N.P.T.	Ametek	ASC500-5549	All	
4	510-218-145	Water Gauge Glass Cocks, Set, " N.P.T., Male Inlet	Conbraco	21-205-03W	All	
5	510-312-135	High Pressure Limit, Operating Range: 0-9 PSIG, Differential: 0-5 PSIG	Honeywell	PA404A1009	All (2-Required)	
5	510-312-135	High Pressure Limit, Operating Range: 0-9 PSIG, Differential: 0-5 PSIG	Johnson	P47EA-3D	All (2-Required)	
6	511-548-051	Steam Safety Valve, 1-1/4" Inlet, Set to Relieve at 15 PSIG, Side Outlet, 1200 lbs./hr. Capacity	Conbraco	13-213-08	See Table Below	
6	511-548-052	Steam Safety Valve, 1-1/2" Inlet, Set to Relieve at 15 PSIG, Side Outlet, 1900 lbs./hr. Capacity	Conbraco	13-214-08	See Table Below	
6	511-548-056	Steam Safety Valve, 2" Inlet, Set to Relieve at 15 PSIG, Side Outlet, 2500 lbs./hr. Capacity	Conbraco	13-205-08	See Table Below	
6	511-548-057	Steam Safety Valve, 2-1/2" Inlet, Set to Relieve at 15 PSIG, Side Outlet, 3529 lbs./hr. Capacity	Conbraco	13-206-08	See Table Below	
	590-921-910	Tankless Heater - includes heater, gasket, nuts and studs.	Heat Controller	92-K-34		

Quantity per 94 Series 3 Boiler Size

Relief Valve P/N	8	9	10	11	12	13	14	15	16	17	18	19	20	21	22	23	24	25
511-548-051			1	1														
511-548-052			1	1	2	2	1	1				1						
511-548-056	1	1					1	1	2	2	2		1	1				
511-548-057												1	1	1	2	2	2	2

GAS/OIL

NOTES

BCP 3/6/12
Control List

Part No.	Description	Mfg.	Mfg's Part No.
389-900-175	Temperature Sensor & 1/2" NPT Control Well	Heat-Timer	
389-900-176	Temperature Sensor with Housing & 1/2" NPT Control Well	Heat-Timer	
389-900-177	Temperature Sensor & Outdoor Mounting Clip	Heat-Timer	
511-624-640	Outdoor Weather Head Enclosure with Temperature Sensor	Heat-Timer	
511-624-643	Pressure Sensor Assembly with Pig Tail	Heat-Timer	

ADDITIONAL

Water Heaters

Part No.	Description	Where Used	Notes
635-100-003	Automatic Air Vent #400	All	
633-900-130	Residential Thermostat Kit	PLUS 30-60, GOLD Plus 30-80	
633-900-117	Drain Valve Kit (Includes 3/4" Drain Valve, 3/4" Brass Tee, Drain Valve Hose Bib Cap w/Rubber Washer)	PLUS 30-60, GOLD Plus 30-80	
633-900-118	Dip Tube Kit – 3/4"	All Size 30	
633-900-119	Dip Tube Kit – 3/4"	All Size 4	
633-900-120	Dip Tube Kit – 3/4"	All Size 60	
635-100-017	Taco 007 Zoning Circulator	Combo 40C	
635-100-019	Taco 007 Zoning Circulator Circuit Board	Combo 40C	
633-900-200	Cover Plate Kit (Includes Cover Plate, (3) Fasteners)	GOLD Plus 30-80	
635-600-150	Drywell "O" Ring	All	
635-600-145	Snap Set w/Wire Connector	GOLD Plus 30-80	
633-900-206	2-Port Zone Valve Installation Kit	GOLD Plus 30-60	■
633-900-207	3-Port Zone Valve Installation Kit	GOLD Plus 30-60	■
633-900-208	Zoning Circulator Installation Kit	GOLD Plus 30-60	■
633-900-209	Zone Valve Replacement Kit	Combo 30/40V	
633-900-125	Dip Tube Kit – 3/4"	GOLD Plus 80	
633-900-102	T-Stat w/Cover Plate Kit (Includes T-stat, Knob, Snap Set, (3) Plastic Fasteners assembled to Cover Plate)	GOLD Plus 30-80	
635-600-139	Plastic Top Cover (Specify Size When Ordering)	GOLD Plus 30-80	
634-200-166	Plastic Bottom	GOLD Plus 30-80	
635-700-014	Air Vent Kit (Includes Air Vent, Reducer Bushing, Brass Tee, Drain Valve, Drain Valve Cap w/Washer)	GOLD Plus 30-80	
635-600-061	Drywell & "O" Ring	All Size 30	
635-600-062	Drywell & "O" Ring	All Size 4	
635-600-063	Drywell & "O" Ring	All Size 60	
635-600-064	Drywell & "O" Ring	All Size 80	
635-600-065	Drywell & "O" Ring	PLUS 100	
635-600-066	Drywell & "O" Ring	PLUS 120	
635-600-096	Dip Tube "O" Ring – 3/4"	PLUS 30-60, GOLD Plus 30-80	
635-600-097	Dip Tube "O" Ring – 1"	PLUS 80	
635-600-098	Dip Tube "O" Ring – 1 1/2"	PLUS 100/120	
635-100-010	Commercial Thermostat Kit	PLUS 80, PLUS 100/120	
633-900-110	Dip Tube Kit – 1"	PLUS 80	
633-900-115	Dip Tube Kit – 1 1/2"	PLUS 100/120	
635-600-090	Check Valve – 1" (Replaces 635-600-037)	Combo 40/40C	
635-600-080	Snap Set w/Harness	PLUS 30-80 PLUS 100/120	
635-600-084	Thermometer	PLUS 80, PLUS 100/120	
634-100-390	Jacket Replacement for PLUS 100 Series 2	PLUS 100 Series 2	
634-100-395	Jacket Replacement for PLUS 120 Series 2	PLUS 120 Series 2	
634-100-328	Jacket Replacement for PLUS 100 Series 1	PLUS 100 Series 1	
634-100-329	Jacket Replacement for PLUS 120 Series 1	PLUS 120 Series 1	

■ Indicates current TPS R/C product

NOTES

ADDITIONAL

Burner Manufacturer Contact Information

When ordering burner repair parts from the following manufacturers, please provide UL Serial Number, Burner Model Number, and Control/Burner Specification Number as appropriate:

R.W. Beckett Corporation
38251 Center Ridge Road
P.O. Box 1289
Elyria, OH 44035
440-327-1060

Carlin Combustion Technology, Inc.
70 Maple Street
East Long Meadow, MA 01028
413-525-7700

Gordon-Piatt Energy Group, Inc.
P.O. Box 650
Winfield, KS 67156
620- 221-4770

Power- Flame, Inc.
2001 S. 21st Street
Parsons, KS 67357
620-421-0480

Webster Engineering and Manufacturing Co, Inc.
619 Industrial Road, Drawer 748
Winfield, KS 67156
620-221-7464

Manufacturing Dates by Series GAS BOILERS

CGi	
Series 1	June 1997 – April 2000
Series 2	April 2000 – Present

CGs	
Series 1	October 1999 – Present

AHE	
Series 1	Never Marketed
Series 2	May 1985 – April 1987
Series 3	April 1987 – June 2000
Series 4	June 2000 – June 2005

CGX	
Series 1	August 1995 – December 1995
Series 2	January 1996 – April, 2000
Boiler Discontinued – April, 2000	

CGM, CG, AND P-CG	
Series 1	February 1967 – November 1971
Series 2 & 3	Never Marketed
Series 4	November 1971 – April 1975
Series 5	April 1975 – January 1977
Series 6	January 1977 – May 1980
Series 7	May 1980 – April 1983
Series 8	April 1983 – July 1987
Series 9	July 1987 – January 1991
Series 10	January 1991 – November 1991
Series 11	November 1991 – December 1995
Series 12	January 1996 – April 2000
Boiler Discontinued – April 2000	

D & PD	
Series 1	August 1961 – January 1965
Series 2	November 1964 – May 1965
Series 3	April 1965 – February 1967
Boiler Discontinued – February 1967	

E	
Series 1	March 1960 – April 1962
Series EB	April 1962 – April 1965
Series 2	April 1965 – May 1970
Series 3	May 1970 – August 1975
Boiler Discontinued – August 1975	

PE WATER	
Series 1	March 1960 – April 1965
Series 2	April 1965 – May 1970
Series 3	May 1970 – August 1975
Boiler Discontinued – August 1975	

PE STEAM	
Series 1	July 1964 – April 1965
Series 2	April 1965 – May 1970
Series 3	May 1970 – August 1975
Boiler Discontinued – August 1975	

EG	
Series 1	August 1975 – April 1985
	Standard with Tankless Heater Opening
Series 1	April 1985 – January 1991
	Standard without Tankless Heater Opening
	Optional with Tankless Heater Opening
Series 2	January 1991 – November 1991
	Standard without Tankless Heater Opening
	Optional with Tankless Heater Opening
Series 3	November 1991 – December 1995
	Standard without Tankless Heater Opening
	Optional with Tankless Heater Opening
Series 4	January 1996 – Present
	Standard without Tankless Heater Opening
	Optional with Tankless Heater Opening

P-EG	
Series 1	August 1975 – April 1977
	Boiler Discontinued – May 1977
Series 1	August 1978 – January 1991
	Boiler Offered as Packaged Steam Unit without Tankless Heater
Series 2	January 1991 – November 1991
	Boiler Offered as Packaged Steam Unit without Tankless Heater
Series 3	November 1991 – December 1995
	Boiler Offered as Packaged Steam Unit without Tankless Heater
Series 4	January 1996 – Present
	Boiler Offered as Packaged Steam Unit without Tankless Heater

EGH	
Series 1	August 1975 – March 1978
Series 2	March 1978 – April 1985
	Standard with Tankless Heater Opening
Series 2	April 1985 – August 1990
	Standard with Tankless Heater Opening
	Optional with Tankless Heater Opening
Series 3	August 1990 – December 1995
	Standard with Tankless Heater Opening
	Optional with Tankless Heater Opening
Series 4	January 1996 – Present
	Standard with Tankless Heater Opening
	Optional with Tankless Heater Opening

P-FG	
Series 1	February 1972 – February 1977
Series 2	February 1977 – July 1981
Series 3	July 1981 – January 1989
Series 4	January 1989 – December 1991
Series 5	December 1991 – December 1995
Series 6	January 1996 – Present

G	
Series 1	February 1949 – April 1951
Series 2	April 1951 – August 1957
Series 3	August 1957 – April 1961
Boiler Discontinued – April 1961	

Manufacturing Dates by Series GAS BOILERS

PAG	
Series 1	August 1956 – August 1957
Series 2	August 1957 – April 1961
Boiler Discontinued – April 1961	

H	
Series 1	March 1952 – June 1954
Series 2	June 1954 – May 1956
Series 3	May 1956 – August 1961
Series 4	August 1961 – November 1966
Boiler Discontinued – November 1966	

HE	
Series 1	September 1981 – July 1982
Series 2	July 1982 – May 1985
Series 3	May 1985 – July 1991
Boiler Discontinued – July 1991	

HEII	
Series 1	July 1991 – June 1987

HG	
Series 1	February 1966 – October 1970
Boiler Discontinued – October 1970	

SERIES 5 BOILER	
Series 5	May 1952 – April 1955
Series 5A	April 1955 – September 1955
Boiler Discontinued – September 1955	

LG	
Series 1	April 1970 – July 1972
Series 2	July 1972 – May 1977
Boiler Discontinued – May 1977	

LGB	
Series 1	August 1985 – June 1993
Series 2	June 1993 – Present

CGa	
Series 1	April 2000 – Present

CGs	
Series 1	October 1999 – Present

J	
Series 1	September 1955 – September 1957
Series 2	September 1957 – March 1960
Series 3	March 1960 – June 1965
Boiler Discontinued – June 1965	

GV	
Series 1	June 1990 – May 1993
Series 2	May 1993 – July 1999
Series 3	July 1999 – July 2001
Series 4	July 2001 – Present

JB	
Series 1	November 1964 – July 1970
Boiler Discontinued – July 1970	

K	
Series 1	April 1964 – December 1969
Boiler Discontinued (Series 1) – December 1969	
Series 3	April 1972 – August 1975
Boiler Discontinued (Series 2) – August 1975	

MG	
Series 1	June 1969 – April 1973
Boiler Discontinued – April 1973	

MGB	
Series 1	April 1973 – January 1984
Series 2	January 1984 – December 1985
Boiler Discontinued – December 1985	

GB15 GAS HEATING UNIT	
Series 1	August 1951 – September 1952
Boiler Discontinued – September 1952	

VHE	
Series 1	September 1981 – July 1982
Series 2	July 1982 – May 1985
Series 3	May 1985 – June 1990
Boiler Discontinued – June 1990	

ULTRA GAS	
Series 1	November 2002 – May 2004
Series 2	May 2004 – Present

Manufacturing Dates by Series ROUND BOILERS

OB15	
Series 1	May 1950 – September 1951
Series 2	September 1951 – June 1953
Series 3	June 1953 – June 1962
Boiler Discontinued – June 1962	

POB15	
Series 3	November 1953 – January 1958
Series 4	January 1958 – June 1962
Boiler Discontinued – June 1962	

OB18	
Series 1	June 1952 – June 1954
Series 2	Never Marketed
Series 3	June 1954 – June 1962
Boiler Discontinued – June 1962	

POB18	
Series 4	August 1955 – June 1962
Boiler Discontinued – June 1962	

ROB18	
Series 1	June 1953 – April 1954
Series 2	April 1954 – June 1954
Series 3	June 1954 – December 1964
Boiler Discontinued – December 1964	

RO2-6, RO3-6, RO3-7, RO4-6, RO4-7	
Series 1	May 1932 – April 1934
Series 2	April 1934 – March 1935
Series 3	March 1935 – July 1937
Series 4	July 1937 – April 1951
Series 5	April 1951 – April 1953
Boiler Discontinued – April 1953	

ROUND BOILERS, JACKETED (SJ OR WJ)	
Series D	February 1935 – September 1937
Boiler Discontinued – September 1937	

17" ROUND, HAND-FIRED	
Series B	November 1922 – September 1924
Series C	September 1924 – April 1928
Series D	April 1928 – March 1944
Boiler Discontinued – March 1944	

19" ROUND, HAND-FIRED	
Series B	November 1922 – September 1924
Series C	September 1924 – March 1928
Series D	March 1928 – March 1934
Series E	March 1934 – January 1964
Boiler Discontinued – January 1964	

22" ROUND, HAND-FIRED	
Series B	November 1922 – May 1924
Series C	May 1924 – March 1928
Series D	March 1928 – April 1951
Series E	April 1951 – January 1964
Boiler Discontinued – January 1964	

25" ROUND, HAND-FIRED	
Series B	November 1922 – May 1924
Series C	May 1924 – March 1928
Series D	March 1928 – April 1951
Series E	April 1951 – January 1964
Boiler Discontinued – January 1964	

28" ROUND, HAND-FIRED	
Series B	November 1922 – May 1924
Series C	May 1924 – March 1928
Series D	March 1928 – April 1951
Series E	April 1951 – April 1953
Boiler Discontinued – April 1953	

31" ROUND, HAND-FIRED	
Series B	November 1922 – May 1924
Series C	May 1924 – March 1928
Series D	March 1928 – April 1946
Boiler Discontinued – April 1946	

Manufacturing Dates by Series ROUND BOILERS

17" ROUND, AUTOMATIC-FIRED	
Series B	November 1922 – September 1924
Series C	September 1924 – April 1928
Series D	April 1928 – March 1934
Series 1	March 1934 – February 1944
Boiler Discontinued – February 1944	

19" ROUND, AUTOMATIC-FIRED	
Series B	November 1922 – September 1924
Series C	September 1924 – March 1928
Series D	March 1928 – March 1934
Series 1	March 1934 – April 1951
Series 2	April 1951 – January 1964
Boiler Discontinued – January 1964	

22" ROUND, AUTOMATIC-FIRED	
Series B	November 1922 – May 1924
Series C	May 1924 – March 1928
Series D	March 1928 – April 1934
Series 1	March 1934 – April 1951
Series 2	April 1951 – January 1964
Boiler Discontinued – January 1964	

25" ROUND, AUTOMATIC-FIRED	
Series B	November 1922 – May 1924
Series C	May 1924 – March 1928
Series D	March 1928 – March 1934
Series 1	March 1934 – April 1951
Series 2	April 1951 – January 1964
Boiler Discontinued – January 1964	

28" ROUND, AUTOMATIC-FIRED	
Series B	November 1922 – May 1924
Series C	May 1924 – March 1928
Series D	March 1928 – March 1934
Series 1	March 1934 – April 1951
Series 2	April 1951 – April 1953
Boiler Discontinued – April 1953	

31" ROUND, AUTOMATIC-FIRED	
Series B	November 1922 – May 1924
Series C	May 1924 – March 1928
Series D	March 1928 – March 1934
Series 1	March 1934 – April 1946
Boiler Discontinued – April 1946	

Manufacturing Dates by Series OIL BOILERS

P35	
Series 1	June 1971 – June 1972
Boiler Discontinued – June 1972	

P42	
Series 1	August 1964 – April 1967
Boiler Discontinued – April 1967	

P43	
Series 1	April 1967 – June 1971
Boiler Discontinued – June 1971	

P52	
Series 1	March 1963 – December 1964
Boiler Discontinued – December 1964	

P62	
Series 1	January 1961 – July 1972
Boiler Discontinued – July 1972	

B62 & A62	
Series 1	January 1961 – April 1962
Series 2	April 1962 – January 1975
Boiler Discontinued – January 1975	

P-65 (Water)	
Series 1	June 1972 – February 1974
Boiler Discontinued – February 1974	

P-65 (Steam)	
Series 1	December 1972 – February 1974
Boiler Discontinued – February 1974	

A & B65	
Series 1	May 1973 – August 1974
Series 2	August 1974 – April 1978
Series 3	April 1978 – April 1978
Boiler Discontinued – April 1978	

A-66E	
Series 1	Never Marketed
Series 2	Never Marketed
Series 3	March 1978 – April 1987
Boiler Discontinued – April 1987	

B-66E	
Series 1	Never Marketed
Series 2	Never Marketed
Series 3	March 1978 – April 1984
Boiler Discontinued – April 1984	

P-66/P-66E	
Series 1	February 1974 – April 1978
Series 2	Never Marketed
Series 3	March 1978 – April 1984 P66E Marketed Only as Series 3
Boiler Discontinued – April 1984	

B-66HE	
Series 1	Never Marketed
Series 2	Never Marketed
Series 3	April 1984 – April 1987
Boiler Discontinued – April 1987	

P-66HE	
Series 1	Never Marketed
Series 2	Never Marketed
Series 3	June 1983 – April 1984 Weil-McLain Burner April 1984 – April 1987 Weil-McLain Burner, Also Beckett & Carlin June 1984 – April 1987 Incorporated P-266HE-W
Boiler Discontinued – April 1987	

P-66HEA, TOP FLUE OUTLET	
Series 1	Never Marketed
Series 2	Never Marketed
Series 3	August 1983 – April 1984 Weil-McLain Burner April 1984 – April 1987 Weil-McLain Burner, Also Beckett & Carlin May 1985 – April 1987 Incorporated P-266HEA-W
Boiler Discontinued – April 1987	

Manufacturing Dates by Series

OIL BOILERS

P66WT-B (about 300 Units)	
Series 2	December 1977 only Sections used push nipples; oil burner was Beckett
Boiler Discontinued – December 1977	

P-68, B-68 and A-68	
Series 1	April 1987 – April 1995

P-68V, B-68V and A-68V	
Series 1	April 1987 – April 1995

B-72	
Series 1	March 1956 – August 1966
Boiler Discontinued – August 1966	

A-72	
Series 1	March 1956 – August 1966
Boiler Discontinued – August 1966	

B-73	
Series 1	August 1966 – May 1976
Boiler Discontinued – May 1976	

FA-73	
Series 1	April 1967 – May 1976
Boiler Discontinued – May 1976	

B-76	
Series 1	September 1975 – May 1993
Boiler Discontinued – May 1993	

B-78	
Series 1	May 1993 – July 2002

B-82 & A-82	
Series 1	April 1958 – August 1975
Boiler Discontinued – August 1975	

B-84	
Series 1	February 1956 – September 1969
Series 2	September 1969 – April 1977
Boiler Discontinued – April 1977	

B-86	
Series 1	July 1974 – February 1985
Boiler Discontinued – February 1985	

P-86	
Series 1	January 1975 – February 1985
Boiler Discontinued – February 1985	

B-88	
Series 1	February 1985 – Present

GOLD Oil (WGO, WTGO, SGO)	
Series 1	April 1995 - June 1996
Series 2	June 1996 - June 1997
Series 3	June 1997 - Present

SF-90	
Series 1	August 1979 – January 1983
Series 2	January 1983 – April 1985
Boiler Discontinued – April 1985	

B-92	
Series 1	August 1963 – March 1965
Series 2	March 1965 – August 1969
Series 3	August 1969 – August 1975
Boiler Discontinued – August 1975	

BH-92	
Series 1	August 1963 – January 1965
Boiler Discontinued – January 1965	

HR-92	
Series 1	August 1965 – August 1975
Boiler Discontinued – August 1975	

B-94	
Series 1	March 1965 – July 1967
Series 2	July 1967 – January 1983
Series 3	January 1983 – Present

H-94	
Series 1	March 1965 – July 1967
Series 2	July 1967 – January 1983
Series 3	January 1983 – Present

80	
Series 1	July 2002 - Present

ULTRA Oil	
Series 1	November 2005 - Present

Sales Reference Listing

Ref#	Part#
10B001	385-600-096
10B002	311-103-760
10B005	311-103-800
10B006	311-103-805
10B007	311-103-810
10B008	311-103-815
10B009	311-103-818
10B010	311-103-821
10B011	311-800-007
10B012	311-800-010
10B013	311-800-014
10B014	311-800-022
10B015	311-800-026
10B016	311-800-029
10B017	311-800-032
10B033	312-600-066
10B034	312-600-069
10B035	312-600-070
10B036	312-600-071
10B041	312-804-400
10B042	312-804-410
10B043	312-900-000
10B044	312-900-003
10B045	312-900-006
10B053	313-300-100
10B054	313-300-103
10B055	313-300-106
10B069	315-600-100
10B070	315-600-110
10B071	315-600-120
10B072	315-600-130
10B079	316-201-260
10B081	316-301-100
10B082	316-301-110
10B083	316-301-120
10B084	316-301-130
10B085	316-301-140
10B086	316-301-150
10B087	316-301-155
10B088	316-301-160
10B089	316-301-165
10B090	316-301-170
10B091	316-601-216
10B092	316-601-219
10B093	316-601-222
10B094	316-601-225
10B095	316-601-228

Ref#	Part#
10B096	316-601-231
10B097	316-601-234
10B098	316-601-237
10B099	316-601-240
10B100	316-601-243
10B101	316-601-246
10B102	316-601-249
10B115	317-500-100
10B116	317-500-200
10B117	317-500-220
10B118	317-500-230
10B119	317-500-240
10B121	317-802-490
10B122	317-802-500
10B123	317-802-520
10B124	318-102-440
10B125	318-102-448
10B126	318-102-450
10B127	318-102-480
10B128	318-102-482
10B129	318-102-505
10B130	318-102-515
10B131	318-102-525
10B132	318-102-535
10B133	318-102-545
10B134	318-102-575
10B135	318-302-100
10B136	318-806-200
10B141	321-114-270
10B142	321-114-271
10B143	321-114-272
10B144	321-114-273
10B145	321-114-274
10B146	321-114-275
10B147	321-114-276
10B148	321-114-277
10B149	113-800-000
10B150	113-800-002
10B151	113-800-004
10B152	113-800-006
10B153	113-800-008
10B154	113-800-010
10B157	321-711-100
10B158	321-711-105
10B159	321-711-110
10B160	321-711-115
10B161	321-711-120

Ref#	Part#
10B162	321-711-125
10B163	321-711-130
10B164	321-711-135
10B165	321-711-140
10B166	321-711-145
10B167	321-811-095
10B168	321-811-100
10B169	321-811-110
10B170	321-811-115
10B171	321-811-120
10B172	321-811-125
10B173	321-811-130
10B174	321-811-135
10B175	321-811-140
10B176	321-811-145
10B184	128-800-000
10B185	128-800-002
10B186	128-800-004
10B187	128-800-006
10B188	322-800-110
10B189	322-800-112
10B190	129-800-000
10B191	129-800-002
10B192	129-800-004
10B193	129-800-006
10B205	326-604-101
10B211	326-504-267
10B212	326-504-268
10B213	326-504-269
10B214	326-504-270
10B215	326-504-271
10B216	326-504-288
10B224	326-604-089
10B225	326-604-090
10B226	326-604-091
10B227	326-604-092
10B228	326-604-093
10B229	326-604-094
10B230	326-604-095
10B231	326-604-096
10B232	326-604-097
10B233	326-604-098
10B234	326-604-099
10B235	326-604-100
10B236	330-001-000
10B237	330-001-050
10B240	330-001-200

Ref#	Part#
10B243	330-001-350
10B245	330-001-450
10B246	330-001-480
10B263	330-025-950
10B272	330-027-200
10B273	330-027-350
10B275	330-027-500
10B277	330-028-050
10B282	330-028-450
10B285	388-135-300
10B287	330-043-904
10B288	330-043-905
10B289	330-043-907
10B290	330-045-250
10B330	330-053-100
10B338	340-003-810
10B339	330-055-410
10B347	330-056-634
10B349	330-059-910
10B350	330-060-200
10B351	330-060-210
10B352	330-060-300
10B353	330-060-310
10B354	330-060-400
10B355	330-060-500
10B356	330-060-700
10B357	330-061-000
10B358	330-061-300
10B359	330-061-400
10B360	330-062-000
10B361	330-062-001
10B362	330-062-005
10B389	340-004-598
10B391	340-004-605
10B392	340-004-606
10B393	340-004-607
10B394	340-004-608
10B395	340-004-609
10B398	340-004-612
10B401	340-004-616
10B402	340-004-620
10B403	340-004-633
10B404	340-004-635
10B405	340-004-700
10B406	340-004-740
10B414	342-000-020
10B421	343-500-540

Sales Reference Listing

Ref#	Part#
10B422	381-354-518
10B423	381-354-519
10B424	382-930-100
10B425	382-930-101
10B426	382-930-102
10B427	382-930-103
10B428	382-930-105
10B429	382-930-106
10B430	382-930-107
10B431	382-930-108
10B436	386-500-085
10B438	387-834-905
10B439	388-135-020
10B448	443-300-100
10B449	443-300-101
10B450	443-300-102
10B451	443-300-103
10B452	443-300-104
10B453	443-300-105
10B454	443-300-106
10B492	450-003-545
10B493	450-003-546
10B494	450-003-547
10B495	450-003-548
10B496	450-003-549
10B497	450-003-550
10B498	450-003-551
10B499	450-003-553
10B500	450-003-554
10B501	450-003-555
10B502	450-003-556
10B503	450-003-557
10B504	450-003-558
10B505	450-003-559
10B506	450-003-560
10B507	450-003-561
10B508	450-003-562
10B509	450-003-563
10B510	450-003-564
10B511	450-003-565
10B512	450-003-566
10B513	450-003-567
10B514	450-003-568
10B515	450-003-569
10B516	450-003-570
10B517	450-003-571
10B518	450-003-572

Ref#	Part#
10B519	450-003-573
10B520	450-003-574
10B521	450-003-582
10B522	450-003-583
10B523	450-003-584
10B524	450-003-585
10B525	450-003-586
10B526	450-003-587
10B527	450-003-588
10B528	450-003-589
10B529	450-003-590
10B530	383-300-165
10B545	450-003-730
10B546	450-003-731
10B547	450-003-732
10B548	450-003-733
10B549	450-003-734
10B550	450-003-735
10B551	450-014-733
10B552	450-014-734
10B553	450-014-735
10B554	450-014-736
10B555	450-014-737
10B561	450-014-750
10B562	450-014-751
10B563	450-014-752
10B564	450-014-753
10B565	450-014-754
10B573	450-014-815
10B574	450-014-816
10B575	450-014-817
10B576	450-014-818
10B582	450-019-851
10B583	450-019-852
10B584	450-019-853
10B585	450-019-854
10B586	450-019-855
10B587	450-019-856
10B588	450-019-857
10B589	450-020-100
10B590	450-020-101
10B591	450-020-102
10B592	450-020-103
10B593	450-020-104
10B607	450-020-487
10B608	450-020-488
10B609	450-020-489

Ref#	Part#
10B610	450-020-490
10B611	450-020-491
10B612	450-020-492
10B625	450-021-200
10B626	450-021-201
10B627	450-021-202
10B648	450-029-549
10B649	450-030-392
10B650	450-030-393
10B651	450-030-394
10B652	450-030-395
10B653	450-030-396
10B654	450-030-397
10B655	450-030-398
10B656	450-030-399
10B657	450-030-450
10B658	450-030-451
10B659	450-030-452
10B660	450-030-453
10B661	450-030-454
10B662	450-030-455
10B663	450-030-456
10B664	450-030-457
10B665	450-030-458
10B666	450-030-459
10B667	450-030-460
10B668	450-030-461
10B669	450-030-462
10B670	450-030-463
10B671	450-030-464
10B672	450-030-465
10B673	450-030-466
10B674	450-030-467
10B675	450-030-468
10B676	450-030-469
10B681	450-030-474
10B682	450-030-475
10B683	450-030-642
10B684	450-030-643
10B685	450-030-644
10B686	450-030-645
10B687	450-030-646
10B688	450-030-647
10B689	450-030-924
10B690	450-030-925
10B691	450-030-934
10B692	450-030-949

Ref#	Part#
10B693	450-030-950
10B694	450-030-951
10B695	450-030-952
10B696	450-030-953
10B697	450-030-954
10B698	450-030-955
10B699	450-030-960
10B700	450-030-961
10B701	450-030-962
10B702	450-030-963
10B703	450-030-964
10B707	450-206-240
10B708	450-206-241
10B709	450-206-242
10B710	450-206-243
10B711	450-206-244
10B712	451-800-000
10B713	451-800-001
10B714	451-800-002
10B715	451-800-003
10B716	451-800-004
10B717	451-800-005
10B718	451-800-006
10B719	451-800-007
10B720	451-800-008
10B721	451-800-009
10B722	451-800-010
10B723	451-800-011
10B724	451-800-012
10B725	451-800-013
10B726	451-800-014
10B727	451-800-015
10B728	451-800-016
10B729	451-800-017
10B730	451-800-018
10B731	451-800-019
10B732	451-800-020
10B733	451-800-021
10B734	451-800-022
10B735	451-800-023
10B736	451-800-024
10B737	451-800-025
10B738	451-800-026
10B739	451-800-027
10B740	451-800-028
10B741	451-800-029
10B742	451-800-040

Sales Reference Listing

Ref#	Part#
10B743	451-800-041
10B744	451-800-042
10B745	451-800-043
10B746	451-800-044
10B747	451-800-045
10B748	451-800-046
10B749	451-800-047
10B750	451-800-048
10B751	451-800-049
10B752	451-800-070
10B754	451-800-085
10B755	451-800-086
10B756	451-800-087
10B757	451-800-088
10B758	451-800-089
10B759	451-800-090
10B760	451-800-092
10B761	451-800-094
10B762	451-800-095
10B763	451-800-096
10B764	451-800-097
10B765	451-800-098
10B766	451-800-099
10B767	452-800-500
10B768	452-800-501
10B769	452-800-502
10B770	452-800-503
10B773	452-800-540
10B774	452-800-541
10B775	452-800-542
10B776	452-800-543
10B779	452-800-580
10B780	452-800-581
10B781	452-800-582
10B782	452-800-583
10B791	452-800-655
10B793	460-003-640
10B794	460-003-646
10B796	460-003-701
10B797	460-003-702
10B798	460-003-703
10B799	460-003-704
10B800	460-003-705
10B801	460-003-706
10B803	460-003-710
10B804	460-003-741
10B805	460-003-742

Ref#	Part#
10B806	460-003-743
10B807	460-003-744
10B808	460-003-745
10B809	460-003-746
10B811	460-003-777
10B812	460-003-778
10B813	460-003-779
10B814	460-003-780
10B815	460-003-781
10B816	460-003-782
10B818	460-005-624
10B819	460-005-690
10B828	460-030-930
10B829	460-030-936
10B832	460-030-960
10B837	460-039-892
10B839	460-039-898
10B840	462-400-000
10B841	467-831-115
10B844	469-033-365
10B854	511-306-700
10B855	511-306-701
10B856	511-306-702
10B857	511-306-703
10B858	511-306-704
10B859	512-200-010
10B860	512-200-015
10B861	512-200-019
10B864	512-200-029
10B865	512-200-030
10B866	512-200-035
10B867	512-200-045
10B868	512-200-050
10B869	512-200-055
10B870	512-200-060
10B871	512-200-065
10B872	512-250-020
10B873	512-250-025
10B875	560-134-480
10B876	560-134-485
10B877	560-134-490
10B878	560-134-495
10B879	560-134-505
10B880	560-234-400
10B881	560-234-403
10B882	560-234-407
10B883	560-234-408

Ref#	Part#
10B885	560-234-417
10B886	560-234-417
10B887	560-234-422
10B888	560-234-430
10B889	560-234-433
10B890	560-234-435
10B892	560-234-437
10B894	560-234-439
10B895	560-234-443
10B899	560-234-464
10B900	560-234-465
10B901	560-234-466
10B902	560-234-467
10B903	560-234-468
10B904	560-234-469
10B905	560-234-470
10B906	560-234-471
10B907	560-234-472
10B908	560-234-473
10B909	560-234-474
10B910	560-234-475
10B911	560-234-476
10B912	560-234-477
10B913	560-234-478
10B914	560-234-479
10B915	560-234-480
10B916	560-234-482
10B917	560-234-485
10B918	560-234-490
10B921	560-234-500
10B922	560-234-501
10B923	560-234-502
10B924	560-234-503
10B925	560-234-504
10B926	560-234-505
10B927	560-340-560
10B928	560-340-570
10B929	560-340-579
10B931	560-528-937
10B932	560-528-987
10B933	560-528-988
10B934	560-528-989
10B935	560-528-990
10B936	560-528-997
10B937	560-528-998
10B941	560-529-020
10B943	560-529-037

Ref#	Part#
10B944	560-743-005
10B945	560-907-575
10B946	560-917-100
10B947	561-326-825
10B948	561-326-827
10B949	561-928-215
10B950	561-928-221
10B951	561-928-224
10B953	460-003-784
10B954	562-248-668
10B955	562-248-684
10B956	562-248-690
10B957	562-248-710
10B958	562-610-325
10B959	562-650-104
10B960	562-650-105
10B961	562-930-236
10B962	563-530-784
10B964	590-317-490
10B965	590-317-495
10B966	590-317-500
10B967	590-317-515
10B968	590-317-523
10B969	590-317-524
10B970	590-317-544
10B971	590-317-546
10B972	590-317-572
10B973	590-317-575
10B974	590-317-579
10B975	590-317-580
10B976	590-317-605
10B977	590-317-606
10B979	590-317-620
10B980	590-317-625
10B982	590-424-252
10B983	590-424-253
10B984	590-524-867
10B985	590-735-140
10B986	590-735-145
10B987	590-735-150
10B989	591-000-054
10B990	591-000-064
10B991	591-000-061
10B992	591-000-062
10B993	591-125-533
10B994	591-125-534
10B995	591-125-535

Sales Reference Listing

Ref#	Part#
10B996	591-125-538
10B997	591-125-539
10B998	591-125-540
10B999	591-125-541
10C001	591-850-200
10C002	591-850-210
10C003	591-850-203
10C004	591-850-201
10C005	591-850-202
10C018	450-030-392
10C019	450-030-393
10C020	450-030-394
10C021	450-030-395
10C022	450-030-396
10C023	450-030-397
10C024	450-030-398
10C025	450-030-399
10C030	510-148-563
10C031	510-218-035
10C033	510-218-065
10C034	510-218-099
10C035	510-218-100
10C036	510-218-135
10C037	510-218-145
10C038	510-218-148
10C039	510-311-020
10C040	510-312-105
10C042	510-311-019
10C043	510-312-209
10C044	510-312-010
10C045	510-312-012
10C046	510-312-137
10C047	510-312-145
10C048	510-312-135
10C049	510-312-147
10C052	510-312-162
10C053	510-312-166
10C054	510-312-246
10C055	510-312-250
10C056	510-312-255
10C057	510-312-279
10C058	510-312-280
10C063	510-312-320
10C064	510-312-065
10C065	510-350-061
10C066	510-350-062
10C067	510-350-211

Ref#	Part#
10C070	510-350-220
10C071	510-350-221
10C072	510-350-223
10C073	510-350-219
10C074	510-350-369
10C075	510-350-430
10C076	510-350-465
10C077	510-350-466
10C078	510-350-467
10C079	510-429-630
10C085	381-800-445
10C086	381-800-446
10C087	381-800-447
10C088	510-632-088
10C089	510-632-089
10C090	510-744-310
10C091	510-744-328
10C092	510-744-330
10C093	510-744-332
10C094	510-744-334
10C095	510-744-335
10C096	510-744-336
10C097	511-044-347
10C098	511-044-346
10C101	510-933-195
10C102	511-044-039
10C103	511-044-040
10C107	511-044-214
10C108	511-044-215
10C109	511-044-216
10C110	511-044-219
10C111	511-044-239
10C112	511-044-241
10C116	511-044-286
10C117	511-044-287
10C118	511-044-273
10C119	511-044-274
10C120	511-044-284
10C121	511-044-285
10C122	511-044-288
10C123	511-044-289
10C124	511-044-360
10C128	511-044-298
10C132	511-044-311
10C135	511-044-323
10C136	511-044-327
10C140	511-044-256

Ref#	Part#
10C141	511-044-334
10C142	511-044-335
10C145	511-046-340
10C146	511-046-342
10C147	511-046-344
10C148	511-048-500
10C149	511-048-501
10C150	511-048-502
10C151	511-048-503
10C152	511-114-470
10C153	511-114-474
10C154	511-114-492
10C155	511-114-494
10C156	511-114-511
10C157	511-114-513
10C158	511-210-415
10C159	511-210-423
10C161	511-210-433
10C162	511-246-300
10C163	511-246-305
10C164	511-246-310
10C165	511-246-325
10C166	511-246-330
10C167	511-246-340
10C168	511-246-345
10C169	511-330-104
10C171	511-330-111
10C172	511-330-112
10C173	511-330-115
10C174	511-330-116
10C176	511-330-118
10C177	511-330-122
10C178	511-330-123
10C179	511-330-124
10C182	511-330-129
10C183	511-330-170
10C184	511-330-181
10C185	511-330-186
10C186	511-330-189
10C188	511-330-192
10C189	511-330-197
10C190	511-330-229
10C191	511-405-006
10C192	511-405-007
10C193	511-405-008
10C195	511-405-113
10C196	511-405-115

Ref#	Part#
10C197	511-405-116
10C198	511-405-117
10C200	511-546-925
10C201	511-546-924
10C202	511-546-930
10C203	511-546-935
10C204	511-546-940
10C205	511-546-945
10C206	511-548-020
10C207	511-548-023
10C208	511-548-046
10C209	511-548-051
10C210	511-548-052
10C211	511-548-056
10C212	511-548-057
10C213	511-624-510
10C214	511-624-511
10C215	511-624-514
10C216	511-624-530
10C217	511-624-532
10C218	511-624-550
10C219	511-624-555
10C220	511-624-556
10C221	511-624-574
10C222	511-624-575
10C223	511-624-576
10C224	511-724-245
10C225	511-724-249
10C226	511-724-253
10C227	511-724-254
10C228	511-724-255
10C229	511-724-261
10C230	511-724-262
10C231	511-724-263
10C232	511-724-264
10C233	511-724-270
10C234	510-811-503
10C235	511-724-274
10C236	511-802-014
10C237	511-802-615
10C238	511-802-620
10C239	511-802-621
10C240	511-842-361
10C241	511-842-362
10C242	511-842-364
10C243	511-842-365
10C244	511-842-366

Sales Reference Listing

Ref#	Part#
10C245	512-050-002
10C246	512-050-004
10C247	512-050-013
10C248	512-050-015
10C249	512-050-016
10C250	512-050-017
10C251	512-050-018
10C252	512-050-019
10C253	512-050-021
10C254	512-050-023
10C255	512-050-026
10C256	512-050-027
10C257	512-050-230
10C258	512-050-235
10C259	512-150-147
10C260	512-150-148
10C261	512-150-149
10C262	512-200-055
10C264	560-528-945
10C265	560-528-948
10C266	560-528-950
10C268	560-528-957
10C269	560-528-958
10C270	560-528-959
10C271	560-528-964
10C272	560-528-976
10C273	560-528-979
10C274	560-528-980
10C275	560-528-985
10C277	560-742-860
10C278	560-742-880
10C279	560-742-905
10C280	560-742-915
10C282	560-907-617
10C285	561-643-450
10C286	561-643-451
10C287	562-302-017
10C288	562-302-546
10C289	562-650-102
10C290	562-850-089
10C291	563-334-580
10C292	563-334-595
10C293	563-910-008
10C294	563-910-009
10C295	563-910-010
10C296	563-910-011
10C297	563-910-012

Ref#	Part#
10C298	563-910-013
10C299	563-910-014
10C300	563-910-015
10C301	590-216-500
10C304	590-317-535
10C306	590-317-542
10C307	590-317-543
10C308	590-317-630
10C309	590-317-631
10C310	590-317-632
10C311	590-317-633
10C312	590-317-636
10C313	590-849-220
10C314	590-849-236
10C316	591-319-793
10C317	591-319-800
10C318	591-319-801
10C320	591-319-856
10C321	591-391-795
10C322	591-391-798
10C323	591-391-799
10C324	591-391-801
10C325	591-391-802
10C326	591-391-805
10C327	591-391-806
10C328	591-391-807
10C329	591-391-808
10C331	591-391-811
10C333	591-419-185
10C334	591-419-196
10C335	591-550-135
10C336	591-550-164
10C337	591-550-165
10C338	591-550-166
10C339	591-550-229
10C340	591-550-249
10C341	591-550-250
10C342	591-550-272
10C344	591-804-604
10C345	591-850-003
10C346	591-850-140
10C347	591-850-172
10C348	591-850-174
10C349	591-850-176
10C350	591-850-178
10C351	591-850-179
10C352	591-850-180

Ref#	Part#
10C353	591-850-181
10C354	591-850-183
10C355	591-850-185
10C356	591-850-205
10C357	591-850-365
10C358	591-850-370
10C359	591-850-376
10C362	592-300-010
10C364	560-907-624
10C365	510-811-500
10C366	510-811-501
10C367	510-811-485
10C368	510-811-480
10C369	510-811-477
10C372	383-300-190
10C373	511-405-009
10C374	590-921-900
10C375	382-200-320
10C376	382-200-325
10C377	382-200-330
10C378	382-200-335
10C379	382-200-340
10C380	382-200-345
10C381	590-317-610
10C382	511-624-520
10C384	590-317-638
10C385	382-200-315
10C386	382-200-310
10C387	382-200-350
10C388	382-200-385
10C389	382-200-355
10C390	510-811-600
10C391	510-811-605
10C392	510-811-610
10C393	510-811-615
10C394	510-811-620
10C395	510-811-625
10C396	510-811-630
10C397	510-811-635
10C398	591-126-800
10C399	511-044-351
10C400	511-330-165
10C401	511-842-370
10C402	511-330-148
10C403	382-200-375
10C405	591-391-819
10C406	591-391-820

Ref#	Part#
10C407	591-391-821
10C408	511-210-450
10C409	382-200-370
10C410	591-391-818
10C411	510-312-019
10C424	510-312-260
10C430	510-148-567
10C431	382-200-409
10C434	511-330-163
10C437	510-350-100
10C438	510-350-103
10C439	382-200-395
10C440	382-200-400
10C441	511-724-254
10C442	511-044-278
10C443	511-044-279
10C444	382-200-317
10C448	511-044-340
10C449	450-030-654
10C450	450-030-653
10C451	591-391-786
10C452	591-391-788
10C454	382-930-117
10C455	511-330-184
10C456	591-391-789
10C458	510-811-218
10C459	510-811-219
10C460	510-811-220
10C461	381-800-474
10C462	381-800-475
10C463	381-800-476
10C464	381-800-477
10C465	510-512-337
10C466	591-391-780
10C468	511-044-258
10C469	511-044-257
10C470	510-350-218
10C471	510-811-648
10C472	460-003-700
10C474	510-811-644
10C475	510-811-646
10C476	510-811-640
10C477	510-811-642
10C478	381-800-478
10C481	511-330-166
10C482	511-330-097
10C483	511-044-218

Sales Reference Listing

Ref#	Part#
10C484	383-300-410
10C485	383-300-411
10C486	511-330-095
10C488	511-044-381
10C489	511-044-382
10C490	510-811-457
10C491	510-811-458
10C492	510-811-459
10C493	383-300-412
10C494	381-400-096
10C495	382-930-211
10C496	382-930-212
10C497	561-013-849
10C498	563-210-602
10C499	511-330-182
10C500	450-030-655
10C502	591-391-790
10C503	510-811-456
10C504	510-429-629
10C505	591-804-610
10C506	382-930-305
10C507	382-930-310
10C508	382-930-320
10C511	560-528-982
10C512	560-528-983
10C513	560-528-946
10C514	511-546-923
10C515	450-030-820
10C517	511-044-367
10C520	511-044-373
10C523	382-930-216
10C524	561-541-195
10C525	590-317-645
10C526	510-218-097
10C527	511-044-277
10C528	510-811-655
10C529	510-811-656
10C530	511-330-164
10C531	510-811-390
10C532	510-811-391
10C536	592-300-006
10C537	511-330-149
10C538	382-200-410
10C539	511-405-126
10C540	590-317-548
10C542	511-405-118
10C544	511-210-455

Ref#	Part#
10C546	382-200-420
10C547	382-200-425
10C548	511-044-180
10C549	511-044-182
10C550	511-044-184
10C554	511-330-196
10C555	383-300-415
10C556	383-300-416
10C557	383-300-417
10C558	510-811-476
10C559	382-930-213
10C560	383-300-421
10C561	383-300-422
10C562	383-300-423
10C565	383-300-110
10C567	510-312-312
10C568	510-429-616
10C570	591-850-046
10C571	550-320-220
10C579	510-312-317
10C580	510-311-030
10C581	510-311-040
10C582	511-246-392
10C583	511-405-119
10C584	563-910-027
10C585	563-910-028
10C587	591-391-856
10C588	591-391-846
10C589	591-391-854
10C590	591-391-850
10C591	510-312-144
10C592	510-312-142
10C593	560-640-698
10C594	591-419-194
10C595	563-334-597
10C597	511-114-495
10C598	511-114-512
10C601	510-512-265
10C602	591-391-848
10C603	510-933-197
10C604	510-933-199
10C605	510-933-201
10C606	510-933-203
10C607	510-744-311
10C608	383-300-476
10C609	383-300-477
10C610	383-300-478

Ref#	Part#
10C611	383-300-479
10C612	383-300-480
10C613	383-300-481
10C614	381-400-170
10C615	381-400-173
10C616	510-311-024
10C617	388-800-180
10C618	591-391-842
10C619	591-391-844
10C620	381-354-525
10C621	381-354-526
10C627	386-700-345
10C628	381-354-530
10C629	381-354-531
10C630	591-391-861
10C631	591-391-862
10C632	591-391-863
10C633	540-130-955
10C634	540-130-956
10C635	540-130-957
10C636	540-130-958
10C637	540-130-959
10C638	540-130-960
10C639	540-130-961
10C640	540-130-962
10C641	540-130-963
10C642	540-130-964
10C643	540-130-965
10C644	540-130-966
10C645	540-130-967
10C646	540-130-968
10C647	591-391-878
10C648	591-391-879
10C649	591-391-880
10C650	511-114-515
10C651	510-811-466
10C652	510-312-249
10C653	510-811-404
10C654	510-312-106
10C655	510-218-045
10C656	592-300-005
10C657	560-640-696
10C659	591-391-836
10C660	591-391-837
10C661	511-114-516
10C662	510-811-408
10C663	591-391-849

Ref#	Part#
10C664	386-300-213
10C665	381-354-580
10C666	510-811-403
10C667	591-391-881
10C674	510-350-431
10C675	510-350-432
10C676	510-350-434
10C677	511-044-353
10C678	511-044-354
10C679	511-044-355
10C680	511-330-211
10C681	511-330-099
10C682	591-319-795
10C683	510-312-254
10C684	590-317-627
10C685	510-312-167
10C686	511-624-450
10C687	511-624-451
10C688	511-624-452
10C689	511-624-453
10C690	590-317-650
10C691	590-317-651
10C692	510-811-221
10C693	510-811-222
10C694	511-724-277
10C695	511-724-278
10C697	510-218-075
10C698	510-218-080
10C699	388-800-185
10C999	511-330-159
10E102	562-850-078
10E103	511-330-151
10E104	511-330-157
10E105	511-624-642
10E106	510-350-411
10E107	592-300-023
10E108	511-330-155
10E109	511-050-206
10E110	511-050-208
10E111	511-330-153
10E112	450-029-561
10E113	511-330-158
10E114	591-391-830
10E115	511-330-154
10E116	511-624-643
10E117	511-624-641
10E118	511-624-640

Sales Reference Listing

Ref#	Part#
10E119	562-850-080
10E120	562-850-079
10E121	562-850-076
10H001	633-900-130
10H002	633-900-117
10H003	633-900-118
10H004	633-900-119
10H005	633-900-120
10H006	635-100-018
10H007	635-100-017
10H008	635-600-166
10H009	635-600-159
10H012	635-100-019
10H014	633-900-200
10H015	635-600-150
10H016	635-600-145
10H017	633-900-206
10H018	633-900-207
10H019	633-900-208
10H020	633-900-209
10H021	633-900-125
10H022	633-900-102
10H461	635-600-096
10H462	635-600-097
10H463	635-600-098
10H510	635-100-010
10H528	633-900-100
10H529	633-900-105
10H530	633-900-110
10H531	633-900-115
10H540	635-100-002
10H542	635-600-037
10H542	635-600-090
10H543	635-600-038
10H544	635-600-039
10H545	635-600-040
10H546	635-600-044
10H549	635-600-080
10H550	635-600-083
10H551	635-600-084
10H552	635-100-003
10J001	422-901-161
10J002	422-901-160
10J003	422-901-170
10J004	422-901-171
10J005	422-901-172
10J006	422-901-173

Ref#	Part#
10J011	422-901-140
10J012	422-901-141
10J013	422-901-142
10J014	422-901-143
10J015	422-901-150
10J016	422-901-151
10J017	422-901-152
10J018	422-901-153
10J019	422-901-120
10J020	422-901-121
10J021	422-901-122
10J022	422-901-123
10J023	426-700-214
10J024	426-700-216
10J025	426-700-218
10J026	426-700-275
10J027	426-700-276
10J028	426-700-277
10J029	426-700-278
10J030	426-700-279
10J031	426-700-280
10J032	426-700-281
10J033	426-700-282
10J034	426-700-283
10J035	426-700-284
10J036	426-700-285
10J037	426-700-286
10J038	426-700-287
10J053	426-700-182
10J054	426-700-168
10J055	426-700-184
10J060	422-200-135
10J061	422-200-137
10J062	422-200-139
10J063	422-200-140
10J064	422-200-144
10J065	422-200-146
10J066	422-200-148
10J067	422-200-150
10J068	422-200-136
10J069	421-208-159
10J070	421-208-160
10J071	431-223-140
10J072	431-223-141
10J073	431-223-142
10J074	431-223-143
10J076	431-223-144

Ref#	Part#
10J077	431-223-145
10J078	431-223-146
10J079	431-214-124
10J080	431-214-125
10J081	431-214-126
10J082	431-214-127
10J083	431-214-128
10J084	431-214-129
10J091	422-901-130
10J097	431-223-221
10J098	431-223-222
10J099	431-223-223
10J100	411-400-135
10J101	411-400-140
10J108	416-700-110
10J109	416-700-111
10J110	416-700-109
10J111	416-700-112
10J112	416-700-113
10J113	416-700-120
10J114	416-700-119
10J115	416-700-121
10J116	416-700-122
10J117	416-700-105
10J118	416-700-106
10J119	416-700-107
10J120	416-700-108
10J121	634-100-336
10J122	416-700-145
10J123	416-700-147
10J124	416-700-149
10J125	416-700-160
10J126	416-700-162
10J127	416-700-164
10J128	416-700-135
10J129	416-700-137
10J130	416-700-139
10J131	426-700-102
10J132	426-700-162
10J133	426-700-178
10J134	426-700-164
10J135	426-700-180
10J136	426-700-166
10J137	569-928-020
10J138	569-928-025
10J139	386-700-853
10J140	431-223-224

Ref#	Part#
10J141	431-223-225
10J142	431-223-226
10J143	426-700-100
10J144	426-700-172
10J145	426-700-160
10J146	426-700-170
10J147	426-700-174
10J148	426-700-176
10J149	426-700-098
10J157	422-200-050
10J158	416-700-170
10J159	422-200-053
10J160	416-700-172
10J161	422-200-056
10J162	416-700-174
10J163	422-200-059
10J164	416-700-176
10J165	416-700-178
10J166	416-700-180
10J167	416-700-182
10J168	416-700-184
10J169	416-700-186
10J170	634-100-390
10J171	634-100-395
10J300	412-200-130
10J301	412-200-135
10J302	412-200-140
10J350	412-800-115
10J351	412-800-120
10J352	412-800-125
10J353	412-800-130
10J450	411-800-100
10J451	411-800-120
10J452	411-800-140
10J453	411-800-160
10J454	411-800-180
10J500	411-800-260
10J501	411-800-270
10J502	411-800-280
10J503	411-800-290
10J504	411-800-300
10J532	634-100-325
10J533	634-100-326
10J534	634-100-327
10J535	634-100-328
10J536	634-100-329
10J537	634-100-330

Sales Reference Listing

Ref#	Part#
10J538	634-600-000
10J539	412-200-160
10J540	412-200-165
10J541	412-200-170
10J542	412-200-180
10J543	634-600-001
10J719	422-901-175
10J720	422-901-176
10J721	422-901-177
10J722	422-901-178
10J723	431-223-151
10J724	431-223-152
10J725	431-223-153
10J726	431-223-154
10J727	431-223-155
10J728	431-223-156
10J729	431-223-160
10J730	431-223-161
10J731	431-223-162
10J732	431-223-163
10J733	431-223-164
10J734	431-223-240
10J735	431-223-245
10J736	431-223-246
10J737	431-223-247
10J738	431-223-248
10J739	431-223-249
10J740	431-223-270
10J741	431-223-271
10J742	431-223-272
10J743	431-223-273
10J744	431-223-274
10Q001	643-900-050
10Q002	643-900-025
10Q003	643-900-105
10Q004	643-900-095
10Q005	643-900-045
10Q006	643-900-040
10Q007	643-900-100
10Q008	643-900-030
10Q009	643-900-060
10Q010	643-900-065
10Q011	643-900-110
10Q012	643-900-005
10Q013	643-900-010
10Q014	643-900-035
10Q015	643-900-085

Ref#	Part#
10Q016	643-900-080
10Q017	643-900-055
10Q018	643-900-015
10Q019	643-900-070
10Q020	643-900-115
10Q021	643-900-090
10Q022	643-900-020
10Q023	643-900-075
10Q024	643-900-300
10Q025	643-900-305
10Q026	643-900-310
10Q027	643-900-315
10Q028	643-900-008
10Q029	643-900-006
10Q030	643-900-007
10Q031	643-900-011
11B000	591-125-542
11B001	591-125-543
11B002	591-125-544
11B003	591-125-545
11B004	591-125-546
11B005	591-125-547
11B006	591-125-820
11B007	591-125-821
11B008	591-125-822
11B009	591-125-823
11B016	591-125-910
11B017	591-125-911
11B018	591-125-912
11B019	591-125-913
11B020	591-125-914
11B021	591-125-915
11B022	591-125-916
11B030	591-126-616
11B031	591-126-617
11B032	591-126-618
11B033	591-126-619
11B036	591-126-620
11B037	591-126-621
11B038	591-126-622
11B039	591-126-623
11B040	591-126-572
11B041	591-126-573
11B042	591-221-054
11B043	591-221-102
11B044	591-221-104
11B045	591-221-106

Ref#	Part#
11B046	591-221-108
11B047	591-221-110
11B048	591-221-115
11B049	591-221-120
11B050	591-221-121
11B051	591-221-122
11B052	591-221-125
11B053	591-221-126
11B054	591-221-127
11B055	591-221-230
11B056	591-221-231
11B057	591-221-232
11B058	591-221-233
11B059	591-221-234
11B060	591-221-235
11B061	591-221-236
11B062	591-221-240
11B063	591-221-260
11B064	591-221-261
11B065	591-221-262
11B066	591-221-263
11B067	591-221-264
11B068	591-221-265
11B069	591-221-266
11B070	591-221-260
11B071	591-221-261
11B072	591-221-262
11B073	591-221-263
11B074	591-221-264
11B075	591-221-265
11B076	591-221-266
11B077	591-221-270
11B078	591-221-271
11B079	591-221-280
11B080	591-221-281
11B082	591-221-283
11B083	591-222-020
11B084	591-222-021
11B085	591-222-022
11B086	591-222-025
11B087	591-222-029
11B088	591-222-030
11B089	591-222-031
11B090	591-222-032
11B091	591-222-033
11B092	591-222-040
11B093	591-222-041

Ref#	Part#
11B094	591-222-042
11B095	591-222-043
11B096	591-222-044
11B097	591-222-045
11B098	591-222-046
11B099	591-222-048
11B100	591-222-049
11B101	591-222-050
11B102	591-222-051
11B103	591-222-052
11B104	591-222-053
11B105	591-222-054
11B106	591-222-055
11B107	591-222-056
11B108	591-222-057
11B109	591-222-058
11B110	591-222-059
11B111	591-222-060
11B112	591-222-061
11B113	591-222-062
11B114	591-222-063
11B115	591-222-064
11B116	591-222-065
11B117	591-222-066
11B118	591-222-067
11B119	591-222-070
11B120	591-222-071
11B121	591-222-072
11B122	591-222-073
11B126	591-419-198
11B127	591-419-199
11B128	591-550-157
11B129	591-550-159
11B130	591-550-162
11B131	591-550-240
11B132	591-550-241
11B133	591-550-249
11B134	591-550-269
11B135	591-602-913
11B136	591-602-914
11B137	591-608-915
11B138	591-632-612
11B139	590-735-109
11B140	591-638-850
11B141	591-638-851
11B142	591-638-855
11B143	591-641-850

Sales Reference Listing

Ref#	Part#
11B144	591-641-865
11B145	591-706-185
11B146	591-706-214
11B147	591-706-222
11B148	591-706-223
11B149	591-706-226
11B150	591-706-240
11B153	550-320-219
11B154	592-243-200
11B155	592-243-216
11B156	592-243-217
11B157	592-400-025
11B158	592-800-001
11B159	592-800-002
11B161	592-800-007
11B162	592-800-008
11B163	592-800-009
11B164	592-800-010
11B165	592-800-011
11B168	560-528-992
11B169	560-529-052
11B170	560-529-018
11B171	560-529-019
11B172	386-700-355
11B174	591-126-615
11B175	450-014-819
11B176	452-800-449
11B177	591-222-095
11B180	560-528-987
11B181	330-054-302
11B182	330-054-300
11B183	386-700-359
11B186	381-354-523
11B187	382-930-109
11B188	591-124-002
11B190	330-056-632
11B193	322-200-240
11B194	322-200-245
11B195	322-200-250
11B196	322-200-255
11B197	385-600-225
11B198	591-222-115
11B199	460-039-867
11B200	122-800-001
11B201	122-800-002
11B202	122-800-003
11B203	122-800-004

Ref#	Part#
11B204	312-200-100
11B205	312-200-110
11B206	312-200-130
11B207	382-200-300
11B208	382-200-305
11B209	560-234-499
11B210	560-234-525
11B213	452-100-101
11B214	452-100-102
11B215	452-100-103
11B216	452-100-104
11B217	452-100-080
11B218	452-100-111
11B219	412-200-130
11B220	412-200-135
11B221	412-200-140
11B224	322-200-220
11B225	322-200-225
11B226	322-200-230
11B227	322-200-235
11B228	382-200-390
11B229	450-030-779
11B230	450-030-780
11B232	450-030-769
11B233	411-400-155
11B234	411-400-160
11B235	411-400-175
11B236	411-400-145
11B237	411-400-150
11B238	411-400-170
11B239	411-400-142
11B240	411-400-165
11B241	450-030-786
11B242	590-317-603
11B243	590-317-602
11B244	450-021-240
11B245	450-021-241
11B246	450-021-242
11B247	450-021-243
11B248	450-021-244
11B249	450-021-245
11B250	450-021-246
11B251	450-030-475
11B252	450-030-474
11B253	450-003-730
11B254	450-003-731
11B255	450-003-732

Ref#	Part#
11B256	450-003-733
11B257	450-003-734
11B258	450-003-735
11B259	450-003-742
11B260	450-003-736
11B261	450-003-737
11B262	450-003-738
11B263	450-003-739
11B264	450-003-740
11B265	450-003-741
11B266	450-030-810
11B267	450-021-256
11B268	450-021-257
11B269	450-021-258
11B270	450-021-259
11B271	450-021-260
11B272	450-021-261
11B273	450-021-262
11B274	451-800-120
11B275	451-800-121
11B276	451-800-122
11B277	451-800-123
11B278	451-800-124
11B279	451-800-039
11B280	381-700-240
11B281	381-700-245
11B282	381-700-250
11B283	381-700-255
11B284	381-700-260
11B285	452-800-451
11B286	452-800-452
11B287	452-800-453
11B288	591-222-096
11B289	591-222-097
11B290	591-222-098
11B291	450-014-820
11B292	450-014-821
11B293	450-014-822
11B294	450-021-255
11B295	450-003-575
11B296	590-735-154
11B297	450-003-576
11B298	385-600-097
11B299	450-003-577
11B300	385-700-225
11B301	450-003-578
11B302	590-317-550

Ref#	Part#
11B303	450-003-579
11B304	591-221-272
11B305	591-126-556
11B306	591-126-557
11B307	450-020-494
11B308	382-800-281
11B309	512-200-022
11B310	512-200-023
11B311	385-700-218
11B312	560-529-055
11B313	560-529-056
11B314	450-021-205
11B315	450-003-580
11B316	450-003-581
11B317	423-300-420
11B318	312-804-420
11B319	322-800-145
11B320	322-800-146
11B321	322-800-147
11B322	322-800-148
11B323	122-800-010
11B324	122-800-011
11B325	122-800-012
11B326	122-800-013
11B327	382-200-372
11B328	312-200-140
11B329	315-700-050
11B330	315-700-070
11B331	315-700-090
11B332	315-700-080
11B333	315-700-060
11B334	385-700-205
11B335	385-700-200
11B337	450-030-927
11B338	450-020-200
11B339	450-020-205
11B340	450-020-210
11B341	450-020-215
11B342	385-700-215
11B343	450-020-225
11B344	340-003-900
11B345	340-003-902
11B346	340-003-904
11B347	590-317-613
11B348	385-700-220
11B349	591-000-070
11B350	591-000-072

Sales Reference Listing

Ref#	Part#
11B351	450-020-220
11B352	385-600-099
11B354	387-800-500
11B355	386-700-358
11B356	316-700-200
11B357	316-700-201
11B358	316-700-202
11B359	316-700-075
11B360	316-700-065
11B361	316-700-070
11B362	316-700-203
11B363	386-700-250
11B378	386-700-266
11B385	386-700-336
11B386	386-700-337
11B387	386-700-338
11B388	386-700-339
11B389	450-020-170
11B390	450-020-172
11B391	450-020-160
11B392	386-700-340
11B393	386-700-341
11B394	386-700-342
11B395	386-700-343
11B396	450-020-182
11B397	450-020-184
11B398	450-020-186
11B399	560-234-491
11B400	560-234-492
11B401	560-234-493
11B402	560-234-494
11B403	560-234-495
11B404	560-234-532
11B405	560-234-496
11B406	560-234-534
11B407	560-234-536
11B408	560-234-538
11B409	560-234-540
11B410	560-234-542
11B411	560-234-544
11B412	560-234-497
11B413	560-234-546
11B414	386-700-344
11B415	550-320-060
11B416	550-320-061
11B417	550-320-062
11B418	550-320-063

Ref#	Part#
11B419	460-003-785
11B420	460-003-786
11B421	460-003-787
11B422	460-003-788
11B423	550-320-076
11B424	550-320-077
11B425	550-320-078
11B426	550-320-079
11B427	550-320-083
11B428	550-320-084
11B429	550-320-085
11B430	550-320-086
11B431	550-320-089
11B432	550-320-090
11B433	550-320-160
11B434	550-320-161
11B435	550-320-162
11B436	550-320-163
11B437	591-126-588
11B438	591-126-589
11B439	591-126-590
11B440	591-126-591
11B441	591-222-036
11B442	591-222-037
11B443	591-222-038
11B444	591-222-039
11B445	381-354-527
11B446	560-529-058
11B447	550-320-152
11B448	386-700-360
11B451	550-320-091
11B452	550-320-067
11B453	389-900-103
11B454	510-811-660
11B455	510-811-661
11B456	592-800-005
11B459	381-354-356
11B460	381-354-357
11B461	381-354-358
11B462	381-354-359
11B463	381-354-360
11B464	381-354-361
11B471	381-354-581
11B478	167-900-006
11B479	167-900-007
11B480	167-900-008
11B485	167-900-013

Ref#	Part#
11B486	167-900-014
11B487	167-900-015
11B492	167-900-020
11B493	167-900-021
11B494	167-900-022
11B495	386-700-852
11B496	386-700-851
11B521	381-354-582
11B522	381-354-583
11B523	381-354-584
11B524	381-354-585
11B525	382-200-430
11B527	386-700-854
11B528	381-354-586
11B529	321-114-315
11B530	321-114-316
11B531	321-114-317
11B532	321-114-318
11B533	321-114-319
11B534	316-700-245
11B535	316-700-250
11B536	316-700-260
11B537	316-700-265
11B538	381-354-625
11B539	381-354-626
11B540	381-354-627
11B541	381-354-628
11B542	381-354-629
11B543	381-354-630
11B544	381-354-631
11B567	590-735-153

NOTES

Weil-McLain Limited Warranties

Residential & Commercial Cast Iron Boilers

- ◆ Residential Water Warranty — Limited Lifetime
- ◆ Residential Steam Warranty — Limited 10 Year
- ◆ Commercial Warranty — Limited 10 Year

First Year — (All Residential & Commercial Cast Iron Boilers) Weil-McLain warrants that its cast iron boilers are free from defects in material and workmanship for one year from date of installation. If any parts are found to be defective from such defects, Weil-McLain will provide replacement of such defective parts.

Second Through Tenth Year — (Residential & Commercial Water/Steam) Weil-McLain warrants that the cast iron sections of its water and steam boilers are free from defects in material and workmanship from the date of installation for the second through the tenth year. If, during such time, any section is found to be defective, Weil-McLain will provide replacement of such defective section(s).

Eleventh Year and Beyond — (Residential Water Only) Weil-McLain warrants that the cast iron sections of its residential water boilers are free from defects in material and workmanship for the eleventh year and beyond from the date of installation. If, during such time period, any section(s) is found to be defective, Weil-McLain will provide replacement of such defective section(s) upon the payment of a proportionate charge based on the time the boiler has been in service. The proportionate charge will be equal to the appropriate percentage of the list price of such section(s) at the time the warranty claim is made, and will be determined as follows: 11th year-5%; 12th year-10%; 13th year-15%; 14th year-20%; 15th year-25%; 16th year-30%; 17th year-35%; 18th year-40%; 19th year-45%; 20th year-50%; 21st year-55%; 22nd year-60%; 23rd year-65%; 24th year-70%; 25th year & beyond -75%.

These warranties do not cover boilers operated with combustion air contaminated externally by chemical vapors or with improper fuel additives, or with water conditions which may have caused unusual deposits in the cast iron sections.

See section "For all Weil-McLain Products" for additional warranty information.

Weil-McLain Ultra Cast Aluminum Boilers

- ◆ Residential Warranty — Limited 15 Year (includes 5-Year Ultra Protection Plan)
- ◆ Commercial Warranty — Limited 15 Year (does NOT include Ultra HPP)

First Through Fifth Year — Weil-McLain warrants that its cast aluminum boilers are free from defects in material and workmanship for one year from the date of installation and the heat exchanger is free from defects in material and workmanship for five years from the date of installation. If any parts in the first year, or the heat exchanger in the first five years are found to be defective from such defects, Weil-McLain will provide replacement of such defective parts or heat exchanger. In addition to the product warranty, Weil-McLain will provide a 5-Year "Ultra" Homeowner Protection Plan ("UHPP") for residential applications only to cover parts and labor for five years from the date of installation provided only if the Ultra boiler is properly registered with the UHPP Administrator within one month of the date of installation. UHPP claims must be processed directly through the Plan Administrator and not through Weil-McLain.

Sixth Through Tenth Year — Weil-McLain warrants that the heat exchangers of its cast aluminum boilers are free from defects in material and workmanship for the sixth through the tenth year from the date of installation. If, during such time, the heat exchanger is found to be defective, Weil-McLain will provide replacement of such defective heat exchanger.

Eleventh Through Fifteenth Year — Weil-McLain warrants that the heat exchangers of its cast aluminum boilers are free from defects in material and workmanship for the eleventh through fifteenth year from the date of installation. If, during such time period, the heat exchanger is found to be defective, Weil-McLain will provide replacement for such defective heat exchanger upon the payment of a proportionate charge based on the time the boiler has been in service. The proportionate charge will be equal to the appropriate percentage of the list price of such heat exchanger at the time the warranty claim is made, and will be determined as follows: 11th year - 10%; 12th year - 20%; 13th year - 40%; 14th year - 60%; 15th year - 80%; 16th year & beyond - 100%.

This warranty does not cover boilers operated with combustion air contaminated externally by chemical vapors or with improper fuel additives, or with water/system conditions which may have caused heat exchanger failure.

See section "For all Weil-McLain Products" for additional warranty information.

Indirect-Fired Water Heaters

- ◆ Residential Water Heater Warranty — Limited Lifetime
- ◆ Commercial Water Heater Warranty — Limited 15 Year

First Year — (Residential and Commercial Water Heaters) Weil-McLain warrants that its indirect-fired water heaters are free from defects in material and workmanship for one year from the date of installation. If any parts are found to be defective from such defects, Weil-McLain will provide replacement of such defective parts.

Second Year and Beyond — (Residential Only)

Second Through Fifth Years — (Commercial Only)

Weil-McLain warrants that the tank assembly components of its indirect-fired water heaters are free from defects in material and workmanship for the second through the fifth year from the date of installation (commercial only), or for the second year from the date of installation and beyond (for residential only). If, during such time periods, a leak in the tank assembly should occur, Weil-McLain will provide replacement for the original tank assembly.

Sixth Year through Fifteenth Year — (Commercial Only) Weil-McLain warrants that the tank assembly components of its commercial indirect-fired water heaters are free from defects in material and workmanship for the sixth year through the fifteenth year following the date of installation. If, during such time period, a leak in the tank assembly should occur, Weil-McLain will provide replacement for such defective tank assembly. Such replacement will be furnished with the nearest comparable model available from Weil-McLain at the time of such replacement and upon payment of a proportionate charge. Proportionate charges will be equal to the appropriate percentage of the current list price of such commercial indirect-fired water heater at the time warranty claim is made and will be determined as follows: 6th & 7th year-55%; 8th & 9th year-60%; 10th & 11th year-65%; 12th & 13th year-70%; 14th & 15th year-75%.

These warranties do not cover:

1. Any water heater not initially installed with a new temperature-pressure relief valve bearing the listing of the American Society of Mechanical Engineers (A.S.M.E.) at the time of the water heater installation.
2. Any water heater that has a failure or malfunction resulting from a.) failure to keep the tank full of potable water; b.) failure to assure that water in the tank is free to circulate at all times; or c.) failure to keep the tank free of water sediment or scale deposits.
3. Any water heater that has potable water in the unit with a chloride or chlorine content higher than 80 mg/liter.
4. Any water heater installed in a residence containing any type of water softener system that is not installed and maintained in accordance with manufacturer's specifications.
5. Any water heater installation where non-metallic piping products without an oxygen barrier are used.
6. Any water heater used for non-potable application such as pool or process heating.

See section "For all Weil-McLain Products" for additional warranty information.

Radiant Heating Products

- ◆ Radiant Heating Products Warranty — Limited 30 Year
- ◆ IPP & IPC Products Warranty — Limited 3 Year

Weil-McLain warrants that its AlumiPex and Qual-Pex radiant heating products are free from defects in material and workmanship for thirty years (three years for IPP and IPC products) from the date of installation. If any parts are found to be defective from such defects during such time period, Weil-McLain will provide replacement of such defective parts. It is expressly understood that failure as a result of freezing of water within the pipes (tubing) does not constitute a defect in material or workmanship and shall not be covered by this warranty.

See section "For all Weil-McLain Products" for additional warranty information.

Parts and Accessories

- ◆ Parts and Accessories Warranty — Limited 1 Year

Weil-McLain warrants that parts and accessories that were purchased through Weil-McLain are free from defects in material and workmanship for one year from the date of installation. If any parts and/or accessories are found to be defective from such defects during such time period, Weil-McLain will provide replacement of such defective parts. Parts and accessories covered under this warranty include only those items that are not covered under other Weil-McLain product warranties.

See section "For all Weil-McLain Products" for additional warranty information.

For All Weil-McLain Products: These warranties are subject to the condition that the Weil-McLain Product(s) must have been installed in accordance with manufacturers' instructions by a heating contractor whose principal occupation is the sale and installation of plumbing, heating and/or air conditioning equipment. These warranties extend only to the first retail purchaser of the products and only to a product that has not been moved from its original installation site.

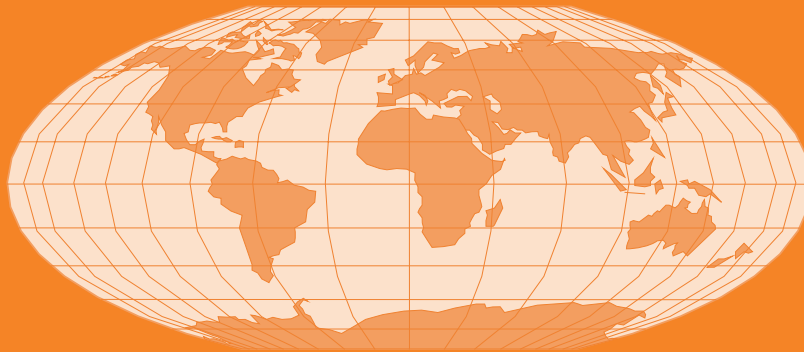
In addition to each product warranty listed, Weil-McLain warranties do not cover:

1. Components that are part of the heating system (products) but were not furnished by Weil-McLain as a part of the heating system (products).
2. The workmanship of any installer of Weil-McLain's product(s). In addition, this warranty does not assume any liability of any nature for unsatisfactory performance caused by improper installation.
3. Any costs for labor for removal and reinstallation of the alleged defective part, transportation to Weil-McLain, if necessary, and any other materials necessary to perform the exchange.
4. Any products that have a failure or malfunction resulting from improper or negligent operation, accident, abuse, freezing, misuse, unauthorized alteration or improper repair or maintenance.
5. Improper adjustments (including boiler/burner), control settings, care or maintenance. Information is in the installation, start-up, operations, owner/user's manuals, service/maintenance instructions, and other printed/technical information provided with the product or direct from Weil-McLain or weil-mclain.com.

NOTE: Residential warranties do not cover any residential products installed in buildings other than one or two family dwelling units, unless they are buildings with individual residential products for each dwelling unit.

THE WARRANTIES DESCRIBED HEREIN ARE IN LIEU OF ALL OTHER WARRANTIES, EXPRESS OR IMPLIED, INCLUDING BUT NOT LIMITED TO ANY IMPLIED WARRANTIES OF FITNESS FOR A PARTICULAR PURPOSE AND MERCHANTABILITY. WEIL-McLAIN EXPRESSLY DISCLAIMS AND EXCLUDES ANY LIABILITY FOR CONSEQUENTIAL, INCIDENTAL, INDIRECT OR PUNITIVE DAMAGES FOR BREACH OF ANY EXPRESS WARRANTY. For prompt product warranty claims, notify the installer who, in turn, will notify the Weil-McLain distributor from whom he purchased the boiler. If this action does not result in warranty resolution, contact Weil-McLain Consumer Relations Department, 500 Blaine Street, Michigan City, Indiana 46360, with details in support of the warranty claim. Alleged defective part or parts must be returned through the same trade channel in accordance with the Weil-McLain procedure currently in force for handling returned goods for the purpose of inspection to determine cause of failure. Weil-McLain will furnish new part(s) to an authorized Weil-McLain distributor who, in turn will furnish the new part(s) to the heating contractor who installed the boiler. If you have any questions about the coverage of this warranty, contact Weil-McLain at the address above.

Wm WEIL-McLAIN



NEW ENGLAND
100 Medway Road
Suite 303
Milford, MA 01757
508.478.6800
FAX 508.478.6869

METRO
River Drive Center
619 River Drive
Elmwood Park, NJ 07407
201.797.8550
FAX 201.797.8552

MID-ATLANTIC
17000 Commerce Parkway
Suite B
Mount Laurel, NJ 08054
856.866.7400
Fax 856.866.8828

MIDEAST
Penn Center West #2
Suite 308
Pittsburgh, PA 15276
412.788.9345
FAX 412.788.0177

MIDWEST
2225 Enterprise Drive
Suite 2507
Westchester, IL 60154
708.562.6220
FAX 708.562.6371

Weil-McLain
Corporate Headquarters
500 Blaine Street
Michigan City, IN 46360
219.879.6561
FAX 219.879.4025



Enduring The Trust of Generations

www.weil-mclain.com

Weil-McLain
500 Blaine Street
Michigan City, IN 46360-2388