



Models
SFH-3085
SFH-3100
SFH-4100
SFH-4125
SFH-4145
SFH-5160
SFH-5185
SFH-6175
SFH-6210

STARFIRE IV
WATER
OIL FIRED
CAST IRON BOILER

PARTS AND OPTIONAL ACCESSORIES

Ordering Instructions:

Order Parts through your nearest supplier.

When ordering parts, obtain Model Number and Serial Number from data plate on your boiler.

Include following information when ordering.

Part Number_____

Part Description_____

Boiler Model Number_____

Boiler Serial Number_____

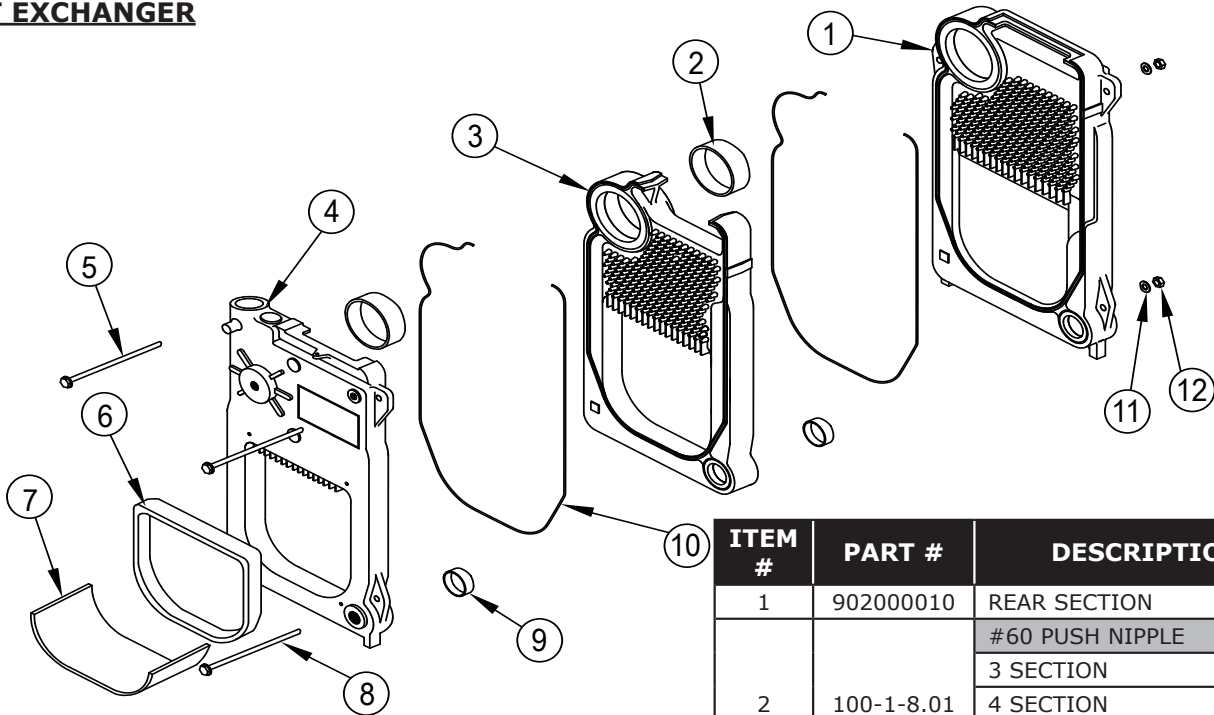


ECR international
EST. 1928
A Family of Heating & Cooling Brands.

Manufactured by:
ECR International, Inc.
2201 Dwyer Avenue, Utica NY 13501
web site: www.ecrinternational.com

REPLACEMENT PARTS

HEAT EXCHANGER

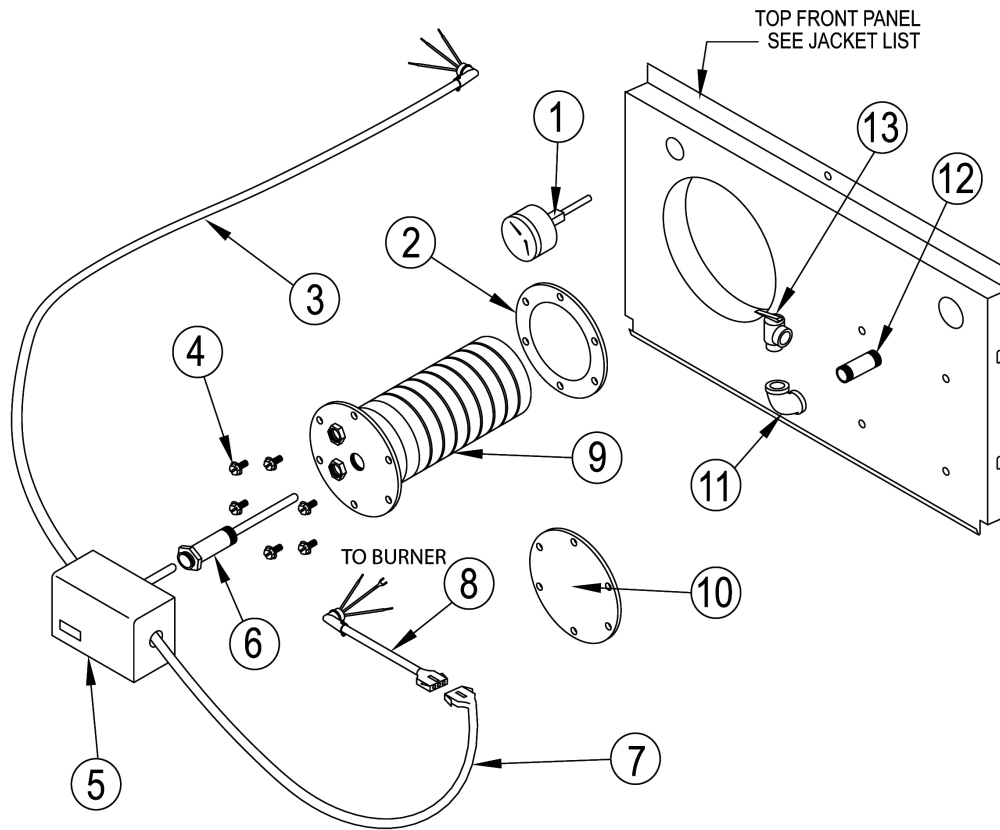


FULLY ASSEMBLED HEAT EXCHANGERS	
912000039	3 SECT. TNKLS W/O COIL
912000043	4 SECT. TNKLS W/O COIL
912000047	5 SECT. TNKLS W/O COIL
912000051	6 SECT. TNKLS W/O COIL
912000040	3 SECT. WITH TANKLESS COIL
912000044	4 SECT. WITH TANKLESS COIL
912000048	5 SECT. WITH TANKLESS COIL
912000052	6 SECT. WITH TANKLESS COIL
912000038	3 SEC. WITH CAST OVER
912000042	4 SEC. WITH CAST OVER
912000046	5 SEC. WITH CAST OVER
912000050	6 SEC. WITH CAST OVER

ITEM #	PART #	DESCRIPTION	QTY
1	902000010	REAR SECTION	1
2	100-1-8.01	#60 PUSH NIPPLE	
		3 SECTION	2
		4 SECTION	3
		5 SECTION	4
		6 SECTION	5
3	902000009	CENTER SECTION	
		3 SECTION	1
		4 SECTION	2
		5 SECTION	3
4	902000007	FRONT SECT. CASTOVER	1
	902000008	FRONT SECT. TANKLESS COIL	
5	HW02510	TIE ROD 1/2 X 10 5/8 (3 SEC)	2
	HW02511	TIE ROD 1/2 X 14 1/4 (4 SEC)	
	HW02512	TIE ROD 1/2 X 17 7/8 (5 SEC)	
	HW02514	TIE ROD 1/2 X 21 3/4 (6 SEC)	
6	5611508	KIT - TARGET WALL & INSULATION BLANKET	1
7	25511005	INSUL BLANKET 16X24 (6 SECTION)	1
8	HW-025.01	TIE ROD 1/2 X 12 1/2 (4 SEC)	1
	HW-025.02	TIE ROD 1/2 X 16 1/2 (5 SEC)	
	HW-025.03	TIE ROD 1/2 X 20 1/2 (6 SEC)	
	HW-025.05	TIE ROD 1/2 X 9 (3 SEC)	
9	100-1-5.01	#22 PUSH NIPPLE	
		3 SECTION	2
		4 SECTION	3
		5 SECTION	4
		6 SECTION	5
10	3002172	ROPE MED DENSITY	
		3 SECTION	2
		4 SECTION	3
		5 SECTION	4
11	HW-008.03	WASHER 1/2 ID FLAT	3
12	HW-003.05	NUT 1/2-13 HEX HEAD	3

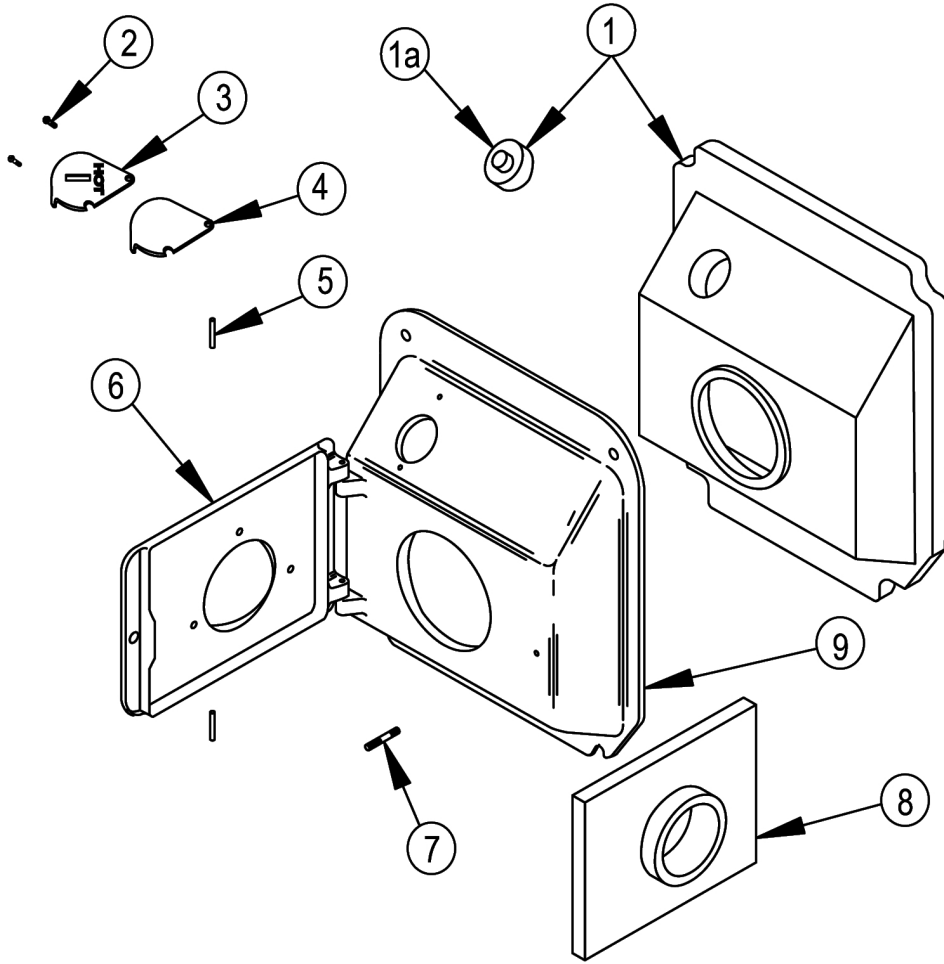
REPLACEMENT PARTS

COIL



ITEM #	PART #	DESCRIPTION	QTY
1	1260006	TEMPERATURE - PRESSURE GAUGE	1
2	240007072	GASKET - SILICON/DURO 70	1
3	37519501	HARNESS CIRCULATOR 72"	1
4	HW08001	BOLT 5/16" X 3/4"	6
5	240010867	HYDROLEVEL, 3250 WITH TEMP LIMIT, LWCO, W/SENSOR	1
6	240009115	WELL, HYRDOSTAT 3250	1
7	2851401	HARNESS CTRL BOX (BECKETT BURNERS AND RIELLO F10 BURNERS)	1
	28511801	HARNESS , CTRL BOX (RIELLO F5 & Carlin EZ-1/2 BURNERS)	1
8	1263011	HARNESS, BURNER (RIELLO F5)	1
	2851801	HARNESS, BURNER (RIELLO F10)	1
	240010425	HARNESS, BURNER (BECKETT AFG, & Carlin EZ-1/2 INCLUDED WITH BURNER)	1
9	5612001	TANKLESS COIL KIT P3 (FOR 3 SECTION BOILERS)	1
	5612002	TANKLESS COIL KIT T4 (4, 5, 6 & 7 SECT. BOILERS)	1
(ABOVE KITS INCLUDE ITEM NOS. 2, 4 AND THE APPROPRIATE COIL)			
10	27511401	TANKLESS - COVER KIT	1
		(KIT INCLUDES ITEM NOS. 2, 4 AND COVER PLATE)	1
11	1190001	PIPE FIT ELBOW 3/4" NPT	1
12	1310001	PIPE FIT - NPL 3/4" X 4" NPT	1
13	VR-001.01	SAFETY RELIEF VALVE 30#, CONBRACO 16-407-05	1
NOT SHOWN	550001908	GASKET REPLACEMENT KIT (INCLUDES ITEMS #2 & #4)	1

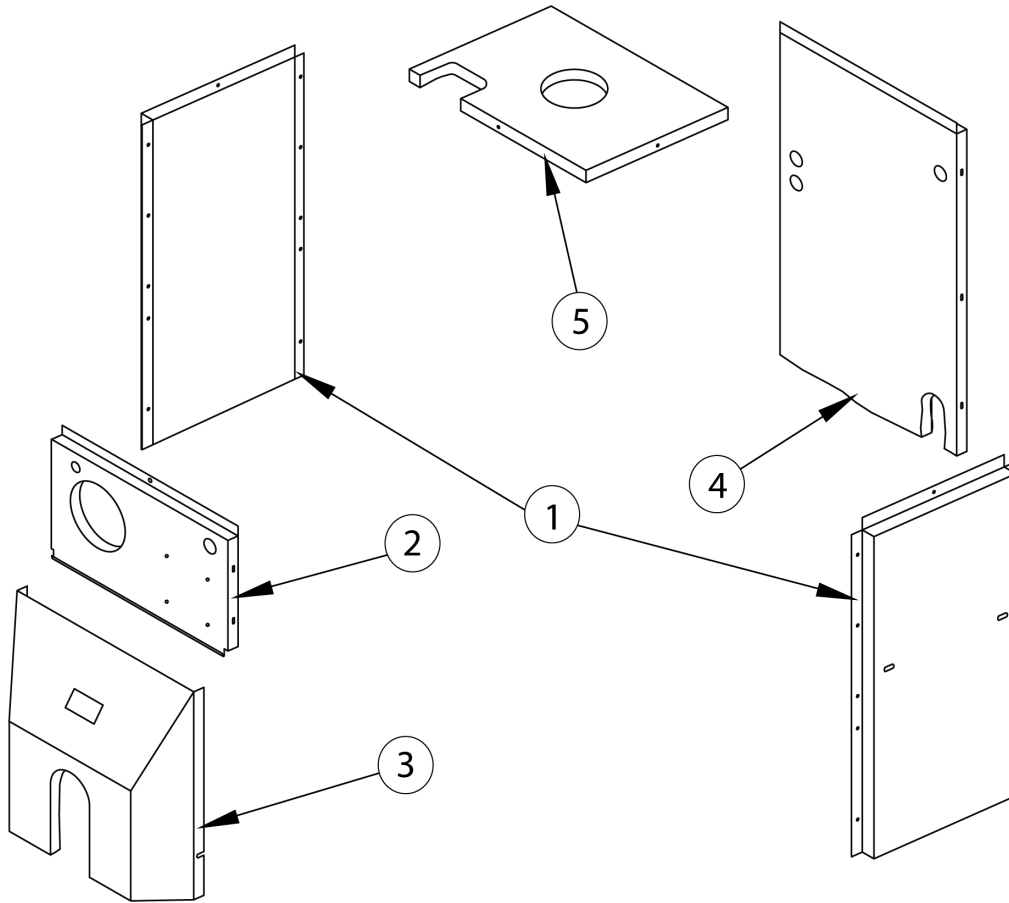
SWING DOOR AND MOUNTING DOOR COMPONENTS



ITEM #	PART #	DESCRIPTION	QTY
1	2552901	MOUNTING DOOR INSULATION & PLUG	1
2	HW-005.01	SCREW 1/4-20X1/2 SELF TAPPING	2
3	10011701	OBSERVATION DOOR	1
4	25511101	OBS. DOOR GASKET	1
5	HW06801	1/4X1.3/4 DRIVE LOCK PIN	2
6	10011501	SWING DOOR	1
7	HW06701	5/16X18X2.3/8 STUD	1
8	2553303	INSULATION-SWING DOOR (BECKETT BURNERS)	1
	2553301	INSULATION-SWING DOOR (RIELLO BURNERS)	1
9	10011301	MOUNTING DOOR	1

REPLACEMENT PARTS

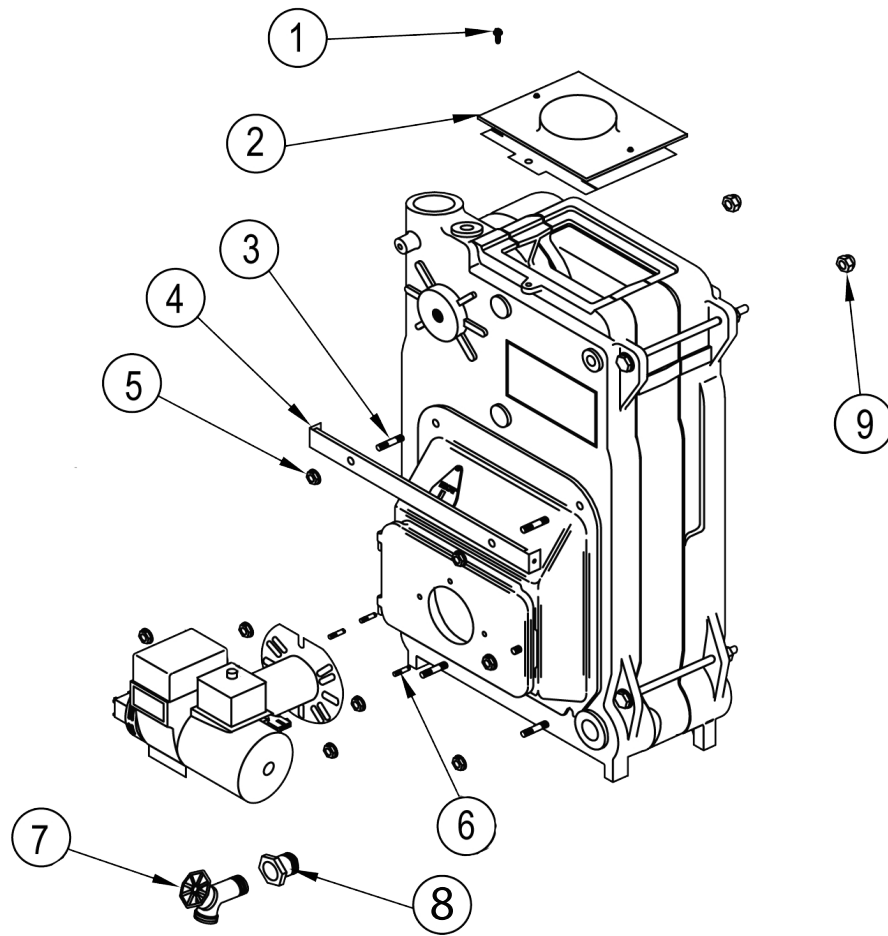
JACKET



ITEM #	PART #	DESCRIPTION	QTY
1	21521802	SIDE PANEL 3 SECTION	2
	21521803	SIDE PANEL 4 SECTION	
	21521804	SIDE PANEL 5 SECTION	
	21521805	SIDE PANEL 6 SECTION	
2	21522401	TOP FRONT PANEL C/O	1
	21522402	TOP FRONT PANEL TNKLS COIL (SHOWN)	
3	21521901	LOWER COWL	1
4	21521501	REAR PANEL	1
5	215-1-3.02	TOP PANEL 3 SECTION	1
	215-1-3.03	TOP PANEL 4 SECTION	
	215-1-3.04	TOP PANEL 5 SECTION	
	2151307	TOP PANEL 6 SECTION	

REPLACEMENT PARTS

HARDWARE



ITEM #	PART #	DESCRIPTION	QTY
1	HW-005.01	SCREW 1/4-20X1/2 SELF TAP	1
2	2452902	FLUE COLLECTOR ASSY (4 SECT)	1
	2452903	FLUE COLLECTOR ASSY (5 SECT)	
	2452906	FLUE COLLECTOR ASSY (3 SECT)	
	2452907	FLUE COLLECTOR ASSY (6 SECT)	
3	HW06701	STUD 5/16"-18 X 2 ³ / ₈ "	4
4	2252501	SUPPORT JACKET BRACKET	1
5	1330001	NUT 5/16-18 WISLOCK	8
6	HW07001	STUD 5/16"-18 X 1 ¹ / ₈ "	3
7	240009323	DRAIN LONG	1
8	1060003	PIPE FIT BUSHING 1 ¹ / ₄ " X ³ / ₄ "	
9	HW06401	NUT - ACORN 1/2"-13 UNC YELLOW	2

REPLACEMENT PARTS

BURNER COMPONENTS

BECKETT AFG BURNERS AND PARTS	
PART #	DESCRIPTION
240009743	BURNER OIL, SFH-3085, BCV
240009744	BURNER OIL, SFH-3100, BCV
240009745	BURNER OIL, SFH-4100, BCV
240009746	BURNER OIL, SFH-4125, BCV
240009747	BURNER OIL, SFH-4145, BCV
240009748	BURNER OIL, SFH-5160, BCV
240009749	BURNER OIL, SFH-5185, BCV
240009750	BURNER OIL, SFH-6175, BCV
240009751	BURNER OIL, SFH-6210 BCV
CD-001.01	CAD CELL
14619244	NOZZLE (BECKETT) 0.75-60°B SFH-3085
14619024	NOZZLE (BECKETT) 0.85-60°B SFH-3100 - SFH4100
1320024	NOZZLE (BECKETT) 1.10-60°B SFH-4125
14619294	NOZZLE (BECKETT) 1.25-60°B SFH-4145
240009766	NOZZLE (BECKETT) 1.35-70°B SFH-5160
1320001	NOZZLE (BECKETT) 1.50-70°B SFH-5185
	NOZZLE (BECKETT) 1.50-70°B SFH-6175
14619019	NOZZLE (BECKETT) 1.75-70°B SFH-6210
240008816	CONTROL 7505B1500 (FOR BOILERS WITH BECKETT BURNERS ONLY)
29688	FUEL PUMP, 1 STAGE, 140 PSI, AFG, 2184404U
1250002	BURNER GASKET
1050008	MOTOR
1050007	TRANSFORMER

BECKETT AFG RERATE KITS	
PART #	DESCRIPTION
550002372	SFH-3085/3100
550002373	SFH-4100/4125/4145
550002374	SFH-5160/5185
550002687	SFH-6175/6210

RIELLO BURNERS AND PARTS	
PART #	DESCRIPTION
1050006	RIELLO 40F5 BURNER SFH-3085/3100/4100/4125/4145/5160
BN07007	RIELLO 40F10 BURNER SFH-5160/5185/6175/6210
240010186	NOZZLE (RIELLO) 0.70-80°W SFH-3085
NZ00802	NOZZLE (RIELLO) 0.85-80°W SFH-3100/4100
14619330	NOZZLE (RIELLO) 1.00-80°W SFH-4125
14619333	NOZZLE (RIELLO) 1.20-60°W SFH-4145
14619338	NOZZLE (RIELLO) 1.35-60°W SFH-5160
14619295	NOZZLE (RIELLO) 1.50-60°B SFH-5185
14619060	NOZZLE (RIELLO) 1.50-45°B SFH-6175
240010187	NOZZLE (RIELLO) 1.75-45°B SFH-6210
30A064701	BRN PUMP DRIVE KEY RIELLO
30A064801	BRN PRIMARY CTRL-530SE RIELLO
30A064901	BRN COIL RIELLO
30A065101	BRN MOTOR RIELLO
30A065201	BRN CAPACITOR 12.5µF RIELLO
30A065301	BRN ELECTRODE PORCELAIN RIELLO
30A065401	BRN PUMP RIELLO
30A065601	BRN O-RING PUMP PRESS RIELLO
30A065701	BRN PHOTO CELL RIELLO

CARLIN EZ-1/2 REPLACEMENT BURNERS	
BOILER MODEL	PART NUMBER
3085	240010414
3100	
4100	
4125	
4145	
5160	240010415
5185	
6175	
6210	



UTICA BOILERS
2201 Dwyer Avenue
Utica NY 13501

web site: www.ecrinternational.com