

THERMOBUTTON-LOK®

Patented

WORLD'S BEST HANGER STRAP!

1" Adjustable Button Holes

Order # 10100

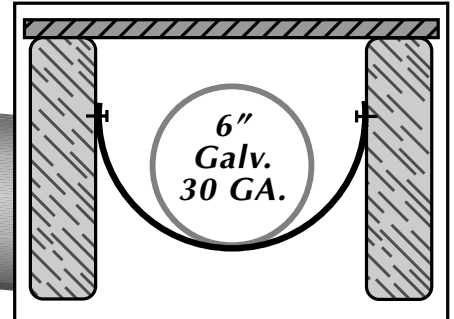
100 ft. Rolls

Shank locks to 1" roof nail (button) when pulled down.

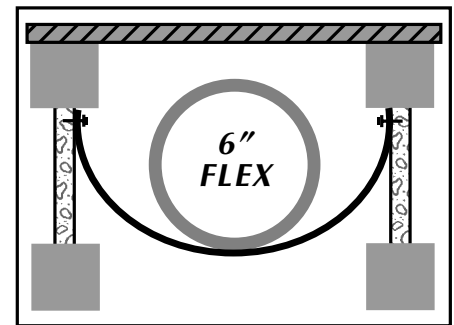
Shank locks to #8 x 1" sheet metal screw (button) when pulled down.

7/16" particle board

2" x 8" Joist

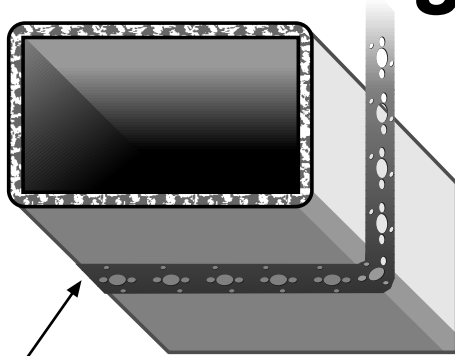


STD CONST: Max 25 lb static load

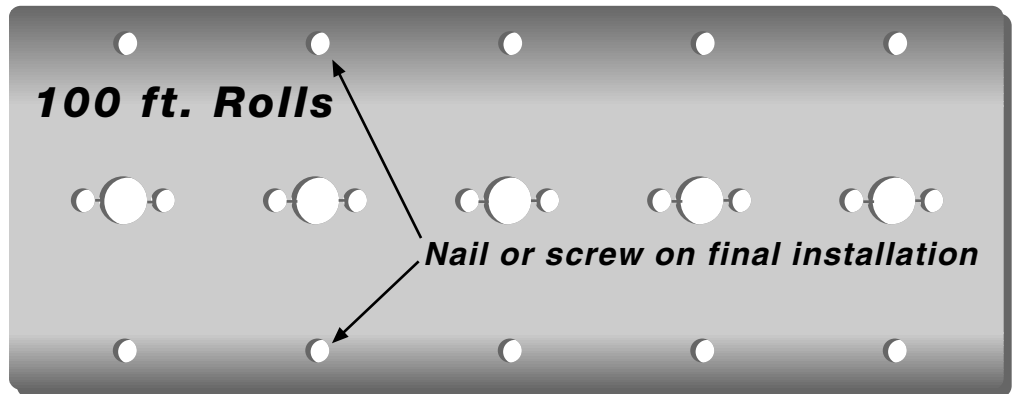


I-JOIST: Max 25 lb static load

User-Friendly!



2" HDPE Duct Board Hanger Supports 50 lb per strap



Order # 10200

FEATURES...

- **Cuts hanger and labor costs by one half**
- **Button holes easily adjust duct up or down for professional installation**
- **Eliminates transfer of heat loss and noise from duct system**
- **Made from gray high density polyethylene**
- **Easily cut with Sears Handi-Cuts, or sheet metal snips**

PRODUCT	ORDER#	SIZE	ROLLS/BOX
BUTTON-LOK	10100	1" X 100'	25
BUTTON-LOK	10200	2" X 100'	10

THERMO MANUFACTURING INC.

3709 COLUMBUS ROAD NE CANTON, OHIO 44705

US & CANADA TOLL FREE PHONE 888-678-3709 US & CANADA TOLL FREE FAX 888-678-8711

www.ThermoPan.com

Lit #031602