

IMPORTANT

1. Always include complete heater model and serial number so that any specification change can be considered for parts replacement. It can save time and expense.
2. Specifications are subject to change without notice.
3. We reserve the right to substitute functional replacements.
4. Order by P/N; not Heater Option Designation.

Applies to: Replacement Parts for **Models X, XE*, RX*, and RXE*** including Models with prefix "C", "H", and "HC"



**Model X
Duct Furnace**

Index

<p>A</p> <ul style="list-style-type: none"> Adapter Backs 10 Outside Air and Return Air Control 5 Air Shutter 8 <p>B</p> <ul style="list-style-type: none"> Directional Air Baffles 9 Blocked Vent Switch 4 Blower Airflow Switch 5 Blowers 10 Burner Rack 8 <p>C</p> <ul style="list-style-type: none"> Blower Cabinet - Outdoor Model RXE 19 Cabinet Parts 16 Blower Cabinets - Indoor Model XE 18 Carryover Regulator 8 Condensate Drain Kit 20 Contactors 11 Control Locations 4 Inlet Air Controls 14 <p>D</p> <ul style="list-style-type: none"> Dampers 14 Date of Manufacture 3 Disconnect 6 Door Latch Kit 19 Downturn Plenum Cabinet 20 Drafthood Parts 16 Drive 14 Duct Furnace Series 3 	<ul style="list-style-type: none"> Ductstat 4, 5 Ductstat Sensor 5 <p>E</p> <ul style="list-style-type: none"> ECO Device 5 Electrical Box 4 <p>F</p> <ul style="list-style-type: none"> Dirty Filter Switch 5 Filters 18 Flue Collection Parts 16 Flue Restrictors 17 Freezestat 5 Fuse Holder 5 Fuses 5 <p>H</p> <ul style="list-style-type: none"> Heat Exchanger 9 High CFM Kit 9 Outside Air Hood 14 <p>I</p> <ul style="list-style-type: none"> Ignition Controller 4 <p>L</p> <ul style="list-style-type: none"> High Ambient Limit 5 Limit Control 4 Limit Shield 4 Louver Parts 20 <p>M</p> <ul style="list-style-type: none"> Manifold 8 Mixed Air Controller 15 Damper Motor 15 Motor Adjustment Bracket 10 Motor Mounting Bracket 10 Motors 11 	<p>O</p> <ul style="list-style-type: none"> Orifice 8 Outside Air Controller 15 <p>P</p> <ul style="list-style-type: none"> Paint 20 Pilots 7 Potentiometer 15 <p>R</p> <ul style="list-style-type: none"> Rating Plate 2 Relay 4 Time Delay Relay 4 Remote Console 6 Replacement Parts Tag 2 <p>S</p> <ul style="list-style-type: none"> Discharge Air Sensor 4 Serial No 2 Heat Shields 5 Starters 11 Summer/Winter Switch 5 Switches 6 <p>T</p> <ul style="list-style-type: none"> Terminal Block 4 Transformer 5 <p>V</p> <ul style="list-style-type: none"> Shutoff Valve 9 Variable Frequency Drive (VFD) 11 Vent Cap 16 Vent Damper 5 Power Venter 6
---	---	--

References:

All forms are available for download at www.RezSpec.com.

Form P-VALVES, Ignition Controllers and **Gas Valves** by Serial No. and Maxitrol Gas Controls

Form P-X/XE VENTER, Power Venter for Model Series X and XE

Form P-GC, Gas Conversion Parts and Instructions

Form I-X, Installation Manual for Model X Duct Furnace

* Model is no longer manufactured.

Duct Furnace Rating Plate

REZNOR

MERCER, PA. USA 16137
MADE IN MEXICO



DUCT FURNACE
CATEGORY I

FOR INDUSTRIAL/COMMERCIAL USE ONLY

ANSI Z83.8 [AA] - [A] CSA 2.6 [AA'] - [A'] DUCT FURNACE

MODEL [B] [C]

SERIAL NO. [D]

[E] VOLTS [E] PH [E] HZ MAXIMUM TOTAL INPUT [E] AMPS

TYPE OF GAS: [F] [G]

ORIFICE SIZE [J] DRILL HAS BEEN FACTORY ADJUSTED

FOR USE AT [H] FEET [I] METERS OF ALTITUDE.

	SEA LEVEL	ALT. ADJUSTED
NORMAL INPUT	[R]	[K] BTU/HR.
THERMAL OUTPUT CAPACITY	[S]	[L] BTU/HR.
MINIMUM INPUT (2, MV MODELS)	[T]	[M] BTU/HR.
NORMAL MANIFOLD PRESSURE	[N]	IN. W.C.
MIN. PERMISSIBLE GAS SUPPLY PRESSURE FOR PURPOSE OF INPUT ADJUSTMENT.	[O]	IN. W.C.
MAXIMUM THROUGHPUT	[P]	C.F.M.
MINIMUM THROUGHPUT	[Q]	C.F.M.

CLEARANCES TO COMBUSTIBLE CONSTRUCTION: FLUE CONNECTION. -6", SERVICE SIDE-WIDTH OF UNIT, OPPOSITE SIDE-6", BOTTOM-3", TOP-6"
MAY BE INSTALLED ON NONCOMBUSTIBLE FLOORS.
INSTALL ON THE POSITIVE PRESSURE SIDE OF AIR-CIRCULATING BLOWER.

THIS UNIT MAY BE INSTALLED DOWNSTREAM FROM A REFRIGERATION SYSTEM (USE DRAIN OPTION CS1).
FOR ALTERNATE INSTALLATIONS USE THE LATEST EDITIONS OF THE APPROPRIATE STANDARD LISTED BELOW:
FOR AIRCRAFT HANGARS USE STANDARD ANSI/NFPA 409
FOR PARKING STRUCTURES USE STANDARD ANSI/NFPA 88A
FOR REPAIR GARAGES USE STANDARD ANSI/NFPA 88B

Replacement Parts Tag - Each unit has a replacement parts tag that includes the Model No. and the Serial No. as well as a list of original common replacement parts. Always provide the full model and serial numbers when ordering replacement parts.

Blower Cabinet Rating Plate on Certified Packaged Units (see table on page 3)

REZNOR

MERCER, PA., 16137

PACKAGED DUCT FURNACE

FOR INDUSTRIAL/COMMERCIAL USE ONLY

DESIGN CERTIFIED FOR A.G.A REQUIREMENTS UNDER [A] PACKAGED DUCT FURNACE STANDARD

MODEL [B] [C]

SERIAL NO. [D] HP

[E] VOLTS [E] PH [E] HZ MAXIMUM TOTAL INPUT [E] AMPS
IF EQUIPPED WITH REC OPTION, ADD [V] AMPS

EQUIPPED FOR OPERATION AT AN AIR FLOW OF [F] SCFM

AGAINST A STATIC PRESSURE OF [G] INCHES WATER COLUMN.

DRIVE NO. [H] WIRING DIAGRAM [I]

SEE MANUFACTURER'S INSTRUCTIONS FOR OTHER AIR FLOW CAPACITIES.

FILTERS, WHEN USED, MUST BE INSTALLED EXTERNAL TO THE HEATING CASING.

REFER TO THE RATING PLATE OF THE DUCT FURNACE FOR ADDITIONAL INFORMATION.

Key to Duct Furnace Rating Plate

- A = Standard
- B = Model and Size
- C = Date of Manufacturer
- D = Serial No.
- E = Volts/PH/Hz/Amps
- F & G = Natural or Propane Gas
- H & I = Altitude
- J = Orifice Drill Size
- K = Normal Input (altitude adjusted)
- L = Thermal Output (altitude adjusted)
- M = Minimum Input (altitude adjusted)
- N = Normal Manifold Pressure
- O = Minimum Gas Supply Pressure
- P = Maximum Air Throughput
- Q = Minimum Air Throughput
- R = Normal Input (sea level)
- S = Thermal Output (sea level)
- T = Minimum Input (sea level)

De-Coding a Serial No.

Sample: S BKL 94 1B N 12345 MV3

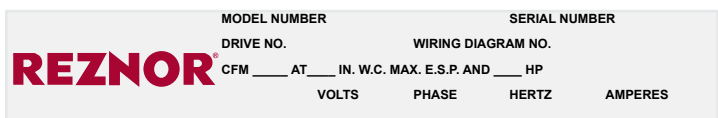
1 | 2 | 3 | 4 | 5 | 6 | 7

- 1 = Stainless steel heat exchanger (with an aluminized heat exchanger, there is no letter suffix)
- 2 = Date code (see page 3)
- 3 = Pilot code (Reference Form P-VALVES)
- 4 = Valve code (Reference Form R-VALVES)
- 5 = N is natural gas; L is propane gas
- 6 = Consecutive number
- 7 = Maxitrol system (optional)

Key to Cabinet Rating Plate

- A = Standard
- B = Model
- C = Date of Manufacture
- D = Motor Horsepower
- E = Volts/Phase/Hertz/Amps
- F = SCFM
- G = Static Pressure (w.c.)
- H = Drive AM Option Code
- I = Wiring Diagram No.

Identification Plate on Blower Cabinets Manufactured Prior to Package Certification (see dates on page 3)



HP Codes

Single-Speed Motors		2-Speed Motors	
Code	HP	Code	HP
05	1	20	1/44
06	1-1/2	21	1.5/68
07	2	22	2/88
08	3	23	3/1.3
09	5	24	5/2.2
11	7-1/2	25	7.5/3.3
12	15	26	10/4.4
13	10		
14	20		

Serial Number Key - Month and Year of Manufacture

Year	Jan	Feb	Mar	Apr	May	June	July	Aug	Sept	Oct	Nov	Dec
1963	OA	OB	OC	OD	OE	OF	OG	OH	OI	OJ	OK	OL
1964	PA	PB	PC	PD	PE	PF	PG	PH	PI	PJ	PK	PL
1965	QA	QB	QC	QD	QE	QF	QG	QH	QI	QJ	QK	QL
1966	RA	RB	RC	RD	RE	RF	RG	RH	RI	RJ	RK	RL
1967	SA	SB	SC	SD	SE	SF	SG	SH	SI	SJ	SK	SL
1968	TA	TB	TC	TD	TE	TF	TG	TH	TI	TJ	TK	TL
1969	UA	UB	UC	UD	UE	UF	UG	UH	UI	UJ	UK	UL
1970	VA	VB	VC	VD	VE	VF	VG	VH	VI	VJ	VK	VL
1971	WA	WB	WC	WD	WE	WF	WG	WH	WI	WJ	WK	WL
1972	XA	XB	XC	XD	XE	XF	XG	XH	XI	XJ	XK	XL
1973	YA	YB	YC	YD	YE	YF	YG	YH	YI	YJ	YK	YL
1974	ZA	ZB	ZC	ZD	ZE	ZF	ZG	ZH	ZI	ZJ	ZK	ZL
1975	AAA	AAB	AAC	AAD	AAE	AAF	AAG	AAH	AAI	AAJ	AAK	AAL
1976	ABA	ABB	ABC	ABD	ABE	ABF	ABG	ABH	ABI	ABJ	ABK	ABL
1977	ACA	ACB	ACC	ACD	ACE	ACF	ACG	ACH	ACI	ACJ	ACK	ACL
1978	ADA	ADB	ADC	ADD	ADE	ADF	ADG	ADH	ADI	ADJ	ADK	ADL
1979	AEA	AEB	AEC	AED	AEE	AEF	AEG	AEH	AEI	AEJ	AEK	AEL
1980	AFA	AFB	AFC	AFD	AFE	AFF	AFG	AFH	AFI	AFJ	AFK	AFL
1981	AGA	AGB	AGC	AGD	AGE	AGF	AGG	AGH	AGI	AGJ	AGK	AGL
1982	AHA	AHB	AHC	AHD	AHE	AHF	AHG	AHH	AHI	AHJ	AHK	AHL
1983	AIA	AIB	AIC	AID	AIE	AIF	AIG	AIH	AII	AIJ	AIK	AIL
1984	AJA	AJB	AJC	AJD	AJE	AJF	AJG	AJH	AJI	AJJ	AJK	AJL
1985	AKA	AKB	AKC	AKD	AKE	AKF	AKG	AKH	AKI	AKJ	AKK	AKL
1986	ALA	ALB	ALC	ALD	ALE	ALF	ALG	ALH	ALI	ALJ	ALK	ALL
1987	AMA	AMB	AMC	AMD	AME	AMF	AMG	AMH	AMI	AMJ	AMK	AML
1988	ANA	ANB	ANC	AND	ANE	ANF	ANG	ANH	ANI	ANJ	ANK	ANL
1989	AOA	AOB	AOC	AOD	AOE	AOE	AOG	AOH	AOI	AOJ	AOK	AOL
1990	APA	APB	APC	APD	APE	APF	APG	APH	API	APJ	APK	APL
1991	AQA	AQB	AQC	AQD	AQE	AQF	AQG	AQH	AQI	AQJ	AQK	AQL
1992	ARA	ARB	ARC	ARD	ARE	ARF	ARG	ARH	ARI	ARJ	ARK	ARL
1993	ASA	ASB	ASC	ASD	ASE	ASF	ASG	ASH	ASI	ASJ	ASK	ASL
1994	ATA	ATB	ATC	ATD	ATE	ATF	ATG	ATH	ATI	ATJ	ATK	ATL
1995	AUA	AUB	AUC	AUD	AUE	AUF	AUG	AUH	AUI	AUJ	AUK	AUL
1996	AVA	AVB	AVC	AVD	AVE	AVF	AVG	AVH	AVI	AVJ	AVK	AVL
1997	AWA	AWB	AWC	AWD	AWE	AWF	AWG	AWH	AWI	AWJ	AWK	AWL
1998	AXA	AXB	AXC	AXD	AXE	AXF	AXG	AXH	AXI	AXJ	AXK	AXL
1999	AYA	AYB	AYC	AYD	AYE	AYF	AYG	AYH	AYI	AYJ	AYK	AYL
2000	AZA	AZB	AZC	AZD	AZE	AZF	AZG	AZH	AZI	AZJ	AZK	AZL
2001	BAA	BAB	BAC	BAD	BAE	BAF	BAG	BAH	BAI	BAJ	BAK	BAL
2002	BBA	BBB	BBC	BBD	BBE	BBF	BBG	BBH	BBI	BBJ	BBK	BBL
2003	BCA	BCB	BCC	BCD	BCE	BCF	BCG	BCH	BCI	BCJ	BCK	BCL
2004	BDA	BDB	BDC	BDD	BDE	BDF	BDG	BDH	BDI	BDJ	BDK	BDL
2005	BEA	BEB	BEC	BED	BEE	BEF	BEG	BEH	BEI	BEJ	BEK	BEL
2006	BFA	BFB	BFC	BFD	BFE	BFF	BFG	BFH	BFI	BFJ	BFK	BFL
2007	BGA	BGB	BGC	BGD	BGE	BGF	BGG	BGH	BGI	BGJ	BGK	BGL
2008	BHA	BHB	BHC	BHD	BHE	BHF	BHG	BHH	BHI	BHJ	BHK	BHL
2009	BIA	BIB	BIC	BID	BIE	BIF	BIG	BIH	BII	BIJ	BIK	BIL
2010	BJA	BJB	BJC	BJD	BJE	BJF	BJG	BJH	BJI	BJJ	BJK	BJL
2011	BKA	BKB	BKC	BKD	BKE	BKF	BKG	BKH	BKI	BKJ	BKK	BKL
2012	BLA	BLB	BLC	BLD	BLE	BLF	BLG	BLH	BLI	BLJ	BLK	BLL
2013	BMA	BMB	BMC	BMD	BME	BMF	BMG	BMH	BMI	BMJ	BMK	BML
2014	BNA	BNB	BNC	BND	BNE	BNF	BNG	BNH	BNI	BNJ	BNK	BNL
2015	BOA	BOB	BOC	BOD	BOE	BOF	BOG	BOH	BOI	BOJ	BOK	BOL
2016	BPA	BPB	BPC	BPD	BPE	BPF	BPG	BPH	BPI	BPJ	BPK	BPL
2017	BQA	BQB	BQC	BQD	BQE	BQF	BQG	BQH	BQI	BQJ	BQK	BQL
2018	BRA	BRB	BRC	BRD	BRE	BRF	BRG	BRH	BRI	BRJ	BRK	BRL

Date Duct Furnace Series was Introduced or Recertified

The series is identified in the Model No. of the unit. The number following the model of the heater is the series number (Example: RX300-6; "6" is the Series No.). Replacement parts may be affected by the introduction of a new series. Parts unique to units manufactured prior to Series 6 are not available.

Models	Series 3	Series 5	Series 6	Series 7	Series 8
X	--	6/80	5/84	8/90	5/95
CX*	--	--	8/84	--	--
RX*	--	6/80	8/84	--	5/95
CRX*	--	--	1/85	--	5/95

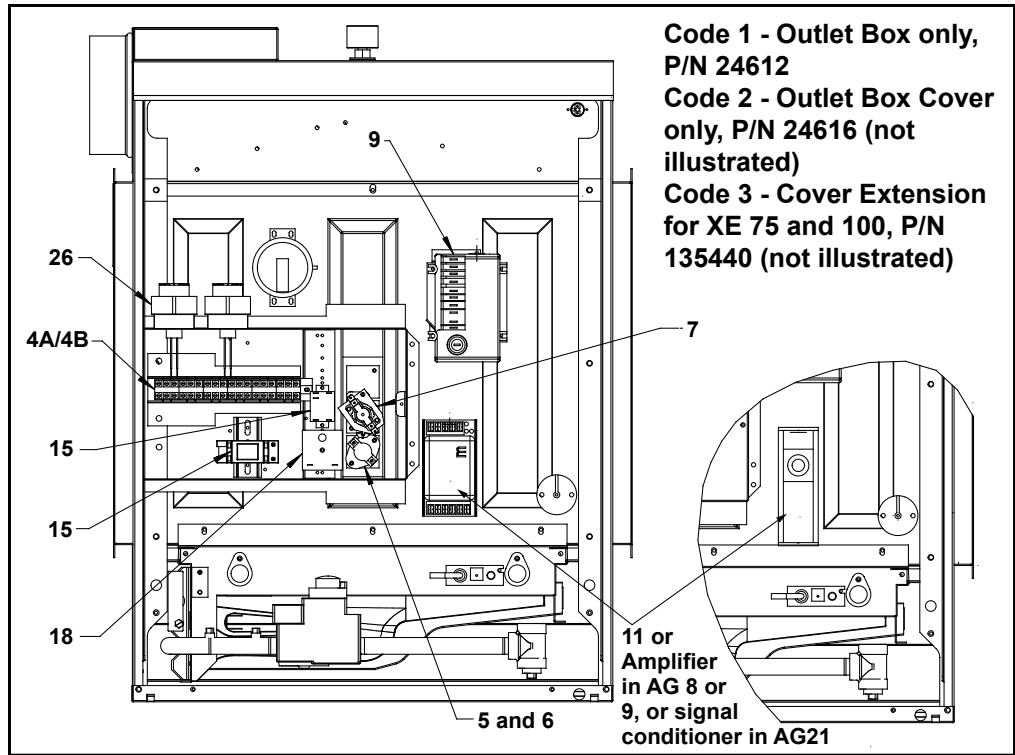
Date of Packaged Unit Certification

Model	Introduced
XE*	3/96

* These models are not currently manufactured.

Electrical Box and Components

Control Locations



Code 1 - Outlet Box only, P/N 24612
 Code 2 - Outlet Box Cover only, P/N 24616 (not illustrated)
 Code 3 - Cover Extension for XE 75 and 100, P/N 135440 (not illustrated)

Codes 4A and 4B



Terminal Block, P/N 144972



Terminal Block Adapter, P/N 144973

Code 5 - Limit Control



P/N 50417, Opens 125°F, Closes 105°F

Code 6 - Limit Shield, P/N 12229



Code 7 - Time Delay Relay, P/N 209164, or Fan Control - Order a Replacement Kit, P/N 209184, to replace a fan control (P/N 10357).



Code 8 - Blocked Vent Switch



Models	Size	Setting	Color Code	Switch	Gasket	Models	Size	Setting	Color Code	Switch	Gasket
X	75	150°F	White	112753	103256	CX	75	150°F	White	112753	103256
HX	100	200°F	Blue	136736	103256	HXC	100	175°F	Green	112754	103256
XE	125	200°F	Blue	136736	103256	CXE	125	175°F	Green	112754	103256
HXE	150	150°F	White	112753	103256	HCXE	175	175°F	Green	112754	103256
	175	175°F	Green	112754	103256		225	175°F	Green	112754	103256
	200	175°F	Green	112754	103256		250	150°F	White	112753	103256
	225	175°F	Green	112754	103256		300	175°F	Green	112754	103256
	250	150°F	White	112753	103256		D300	150°F	White	112753	103256
	300	175°F	Green	112754	103256		350	175°F	Green	112754	103256
	D300	150°F	White	112753	103256		400	175°F	Green	112754	103256
	350	175°F	Green	112754	103256						
	400	200°F	Blue	136736	103256						

Code 9 - Ignition Controllers

Ignition Controller for Intermittent Spark Pilot System without Lockout, P/N 257009 (Serial No. Code 94)

To replace a previously used recycling ignition controller without lockout (Serial No. Code 62 or 66), order Kit, P/N 257472



Ignition Controller for Intermittent Spark Pilot System with Lockout, P/N 257010 (Serial No. Code 95)

To replace a previously used ignition controller with lockout (Serial No. Code 63, 65 or 84), order Kit, P/N 257473



Code 10 - Relay, P/N 18549



If replacing relay P/N 14747, P/N 98118, or P/N 103317, order replacement kit, P/N 263527.

Code 11 - Discharge Air Sensor, P/N 48041, Maxitrol TS-121



Gasket, P/N 104138

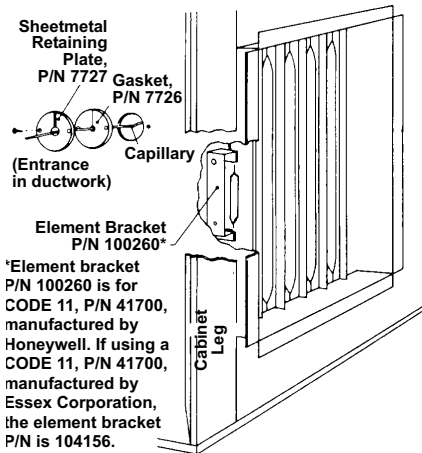
See Form P-VALVES for Maxitrol systems and specific temperature ranges

Code 12 - Two-stage Ductstat, P/N 41700, Honeywell T678A1015, 60-110°F,



Capillary Length 5 ft
 Bulb Holder, P/N 100260
 Cable Strap, P/N 16227

Code 13 - Bracket, P/N 104156
 (used with Essex brand P/N 41700);
P/N 100260 (used with Honeywell
 brand P/N 41700 - see Code 11)
Gasket, P/N 7726
Retaining Plate, P/N 7727

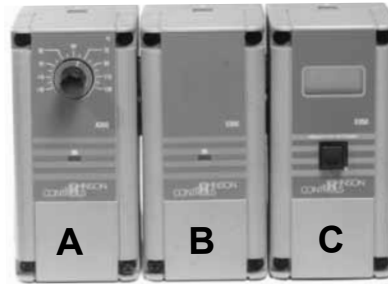


Code 14 - Ductstat Sensor Holder, #TE6001-1, P/N 115850



Ductstat Sensor, #SET A99BC-25C, P/N 115851
 (Used in Options AG15-AG20 with Code 312)

Code 15 - Remote Electronic Ductstat



A = Ductstat Temperature Selector Module, J/C A350AA-1C, P/N 115848 (used in Options AG 15-20)
B = Stage Adder Module, J/C S350AA-1C, P/N 115849 (used in Options AG 15-20)
C = Digital Temperature Display Module, J/C D350AA-1C, P/N 115852 (used in Options AG 16, 18, and 20)

Code 16 - P/N 131450, ECO Device, 306°F (on match lit units - prior to 10/2003)

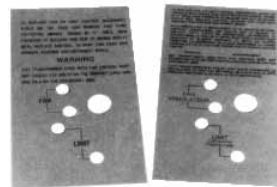


Mounting Plate - X and XE Series, P/N 82633

Code 17 - Summer/Winter Switch (used in Options BF4 and CH1)
P/N 3745 (6 Amp) Sizes 75 - 200
P/N 8336 (10 Amp)
Sizes 225 - 400



Code 19 - Heat Shields



U.S., P/N 10188 **Canada, P/N 63818**

Code 20- Dirty Filter Switch, P/N 105507, TriDelta AP4434



Contacts close @.17 to 5.0" w.c. ± .06

Code 18 - Time Delay Relay, T&B Agastat TM1ULA, P/N 89661



Used in freezestat circuit

Code 21 - Fuse Holder, P/N 38635



Fuses
 2.5 Amps, P/N 61542
 5 Amp, P/N 90335
 8 Amp, P/N 38636

Code 22 - Blower Airflow Switch, P/N 112107, Tridelta FP6605, N.O. non-adjustable setpoint .175" w.c.

(Air proving switch, Option BW1)



Code 23 - Freezestat, High Ambient Limit, Outside Air and Return Air Control, P/N 126170, J/C A19AAF-12C, 25-225°F (replaces P/N 16108)

Grommet Clamp, P/N 131993
 Cable Clamp, P/N 132065

Bulb Bracket, P/N 100260



Code 24 - Control and Damper Transformer



P/N 103054, 225/24/20VA, Basler #BE121625-WAR

P/N 103055, 115/24/40VA, Basler BE141650-WAA

P/N 103497, 208/230/24/40VA, Basler #BE2153900

P/N 103498, 460/24/40VA, Basler #BE23975001

Code 25 - KVA Transformer (Primary as listed; 120V Secondary)



KVA	200/208	220/240/440/480	277	575
.25	19807	11279		113556
.50	19808*	11100	14993*	
.75	24453*	11217	14994*	
1.0	24454*	16065	14995*	
1.5	24455*	24392*	14996*	
2.0	24456*	26628*	14997*	
3.0	24465*	26630*	14998*	
5.0	24466*	26631*	15003*	

*Special order

Code 26 - Vent Damper (in Option AV7)



P/N	Description
234007	Vent Damper, 6"
234008	Vent Damper, 7"
234009	Vent Damper, 8"
234010	Vent Damper, 10"
234011	Vent Damper, 12"


Electrical Components (cont'd)

Code 27 - Optional Power Venter

¹ Model DX300, use pkg for X400; ² Models CX(E)350 - order kit for X350 plus flue adapter, P/N 46163

For Models X/DX ¹ /CX ² /XE/CXE ²		75	100	125	150-175	200-225	250-300 ¹	350 ² -400	
Pkg P/N's by Opt CA Designation & Voltage for Models X/DX/CX/XE/CXE	Opt CA1-115V	136959	136960	136961	136962	136963	136964	136965	
	Opt CA2-208V	136966	136967	136968	136969	136970	136971	136972	
	Opt CA3-230V	136973	136974	136975	136976	136977	136978	136979	
	Opt CA4-460V	136980	136981	136982	136983	136984	136985	136986	
Components	In Option(s)	Component P/N's							
	Venter Sub Assembly	CA1	29992						29994
Transformer .25KVA	CA4 only	CA2	30229						30233
		CA3	30231						30235
		CA4	29992						29994
		11279 (460 to 115)							
Venter Flue Adapter	All (CA1,2,3,4)	14516	6536	6539	6542	12730	12731	12732 ²	

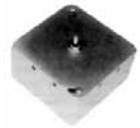
Switches - Disconnect and Toggle









Code 30 - Disconnect Switches

Description	Outdoor	Same as	Indoor	Same as
30 Amp 300V Non-fusible	40269	Option CP5	40267	Option CP1
30 Amp 300V Fusible (less fuses)	87147	Option CP6	40268	Option CP2
30 Amp 600V Non-fusible	50367	Option CP7	50365	Option CP3
30 Amp 600V Fusible (less fuses)	50368	Option CP8	50366	Option CP4

Code 31 - DPDT 3-position Toggle, P/N 40277, Switch in 4x4 box, same as Option CN1



<h4>Code 32 - DPDT 3-position Toggle, P/N 101900 (replaces P/N 21816) used in Option CN1 and Remote Console Options RC5, RC6, RC7, RC8, RC10, RC11, RC12</h4>  <pre> graph TD L1 --- T1 L1 --- T2 L1 --- T3 L1 --- T4 L2 --- T1 L2 --- T2 L2 --- T3 L2 --- T4 </pre>	<h4>Code 33 - DPST 2-position Toggle, P/N 39732, Switch in 2x4 box, same as Option CN2</h4> 	<h4>Code 34 - DPST 2-position Toggle, P/N 101902 (replaces P/N 16816) used in Options CN2 AG3, AG6, AG8, AG9 and Remote Console Option RC12</h4>  <pre> graph TD L1 --- T1 L1 --- T2 L2 --- T1 L2 --- T2 </pre>	<h4>Code 35 - SPDT 2-position Toggle, P/N 39733, Switch in 2x4 box, same as Option CN3</h4> 
<h4>Code 36 - SPDT 2-position Toggle, P/N 101901 (replaces P/N 1052) used in Options CN3, CN4 and Remote Console Option RC13, RC4, RC7, RC8, RC11</h4>  <pre> graph TD L1 --- T1 L1 --- T2 </pre>	<h4>Code 37 - SPST On/Off Toggle Switch in 2x4 box, P/N 39748, same as Option CN4</h4> <p>NOTE: When replacing SPST switch with SPDT switch, make wiring connections at appropriate two terminals for switch to function properly.</p> 		

Optional Remote Console - Optional RC style remote console includes a mounting ring so that the console may be either recessed or wall mounted. The box is of 16 gauge steel with knockout holes for field wiring. The cover is made of plastic with custom engraving. Order replacement parts for Option RC remote console by part number.

Code	Description	P/N
40	Remote Console Box 10-1/16x6-5/8x2-5/8	107010
	Remote Console Box 15-1/16x4-5/8x2-5/8	107011
41	Mounting Ring for 10-1/16" long box	107014
	Mounting Ring for 15-1/16" long box	107015
42	Light for Red Lens, Solico #5TD1L-R-B5	101889
43	SPDT Switch, Cutler Hammer #7505K6	101901
44	DPDT Switch, Cutler Hammer #7561K6	101900
45	Single-Stage Heating Thermostat	255350
	2-Stage Heat/Cool Non-programmable Thermostat	220630
	Single-Stage Heating/Cooling Thermostat	220632
	2-Stage Heat/Cool Programmable Thermostat	221038
46	Potentiometer (See Code 177, page 15)	16110



Console Dimensions (wall mounted - not recessed)				
Options RC	Optional Control	Length*	Height**	Depth
1, 2, 3, 4, 5, 6, 7, 8, 9, 10, 12	without	10-9/16"	7-1/4"	2-5/8"
1, 2, 3, 4, 5, 6, 9	with	10-9/16"	7-1/4"	2-5/8"
7, 8, 10, 12	with	15-9/16"	7-1/4"	2-5/8"
11	with & without	15-9/16"	7-1/4"	2-5/8"

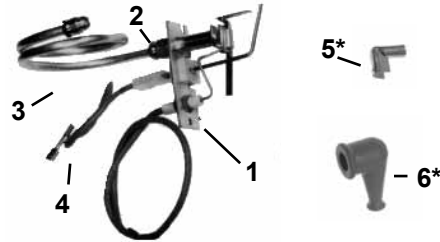
*Subtract 5/8" when recessing console (not using wall-mounting ring)

Replacement Pilots

CODE 50 - Horizontal Spark Pilots Starting 9/73 on Models X, XE, CX, CXE, RX, RXE, CRX, CRXE

NOTES:

- Horizontal spark pilots for ignition systems other than G60, G65, G67, G770, and UTEC-1003 are no longer available.
- Kits also apply to models listed with the prefix "H"



*Included in all kits. Used only with the above models equipped with any Model G60 ignition controller, a Model G67BG-2, or a Model G67NG-2. Not used with ignition controller Models G67BG-5, G770NGC-4, and UTEC-1003. See Instructions below

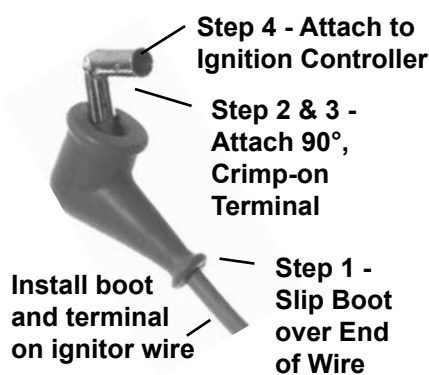
- These pilots replace Baso #J991HXW, natural gas P/N 45150, propane P/N 45141.

Replacement Pilot Kits		Natural Gas - P/N 110861
		Propane Gas - P/N 110862
Code	P/N	Component Description
1	61145	Natural Gas Pilot Assy with orifice, high tension lead, flame probe; less pilot tubing, less flame sensor lead (Baso #J992HXW7221)
	61146	Propane Gas Pilot Assy with orifice, high tension lead, flame probe; less pilot tubing, less flame sensor lead (Baso #J992HXW9817)
2	63088	Natural Gas Orifice only, #7221
	37801	Propane Gas Orifice only, #4209
3	5145	Pilot Tubing, 22" lg
	9664	Nut with breakaway ferrule (2 required when replacing pilot tubing)
4	50450	Sensor lead, 16" lg
5*	112647	Crimp-on, 90° Rajah terminal connector
6*	112648	90° Boot Terminal Protector

Instructions for connecting ignitor lead on replacement spark pilot to Model G60 & G67 ignition controllers:

  Protective Boot, P/N 112648
Crimp-on, 90° Rajah Terminal Connector, P/N 112647

These parts are required (in the kit or separately) when the replacement pilot is for heater Models listed in CODE 50 equipped with a Model G60 or G67BG-NG-2 ignition controller. (NOTE: These parts are not required when the ignition controller is a Model G67BG-5, G770NGC-4, or UTEC-1003.)

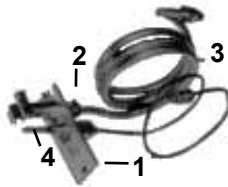


Instructions:

- Identify the ignitor wire attached to the pilot electrode. Slip the 90° protective boot on to the wire, as illustrated (left).
- On the "open" leg of the 90° crimp-on terminal (P/N 112647), locate a flat, triangular spike tab punched in the metal. With the tip of a small, straight screwdriver, force the spike tab toward the inside of the connector. Straighten the tab to a vertical position.

- Insert the ignitor wire into that same connector leg (just to the 90° bend) and push the wire onto the protruding spike tab, making sure that the tab penetrates the insulation. (Do not strip the ignitor wire.) Using a crimping tool or pliers, squeeze the sides of the terminal to form a "C" shape. The ignitor wire should now be firmly held by the terminal.
- Slide the protective boot over the terminal. Holding the boot, attach the 90° Rajah terminal to the ignitor lead Rajah connector on the Model G60 or G67BG/NG-2 ignition controller.

CODE 51 - Horizontal Match Lit Pilot - Starting 9/73 to 2003 on Models X, XE, HX, HXE, CX, CXE, HXC, HCXE

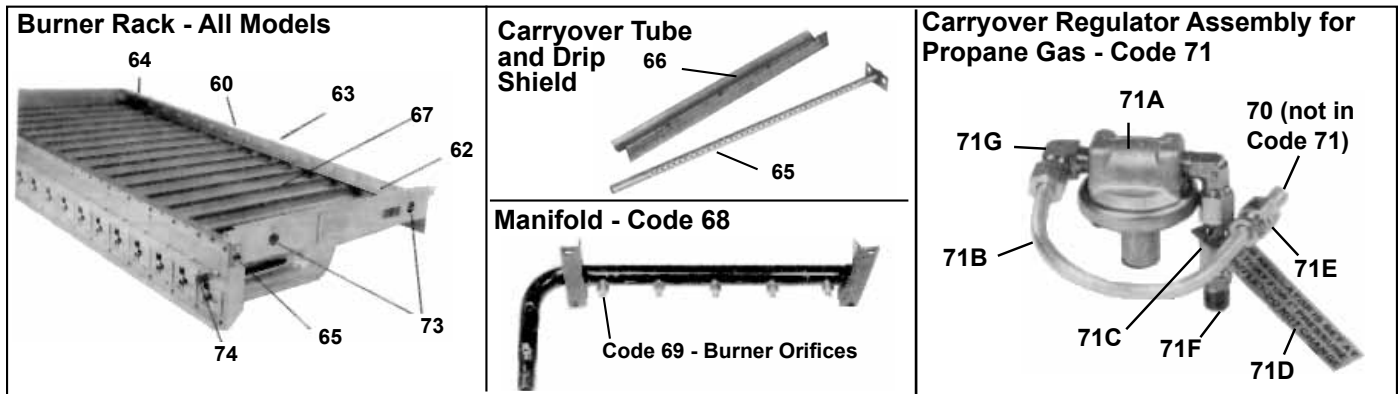


Replacement Pilot Kits		Natural Gas - P/N 110859
		Propane Gas - P/N 110860
Code	P/N	Component Description
1	17890	Natural Gas Pilot with orifice; less pilot tubing, less thermocouple (Baso #J963HXA6218)
	46136	Propane Gas Pilot with orifice; less pilot tubing, less thermocouple (Baso #J963HXA4211)
2	46392	Natural Gas Orifice only, #6218
	42089	Propane Gas Orifice only, #4211
3	7671	Pilot Tubing, 26" lg for X Series
	9664	Nut with breakaway ferrule (2 required when replacing pilot tubing)
4	84761	Thermocouple TC2, 24" lg for X Series

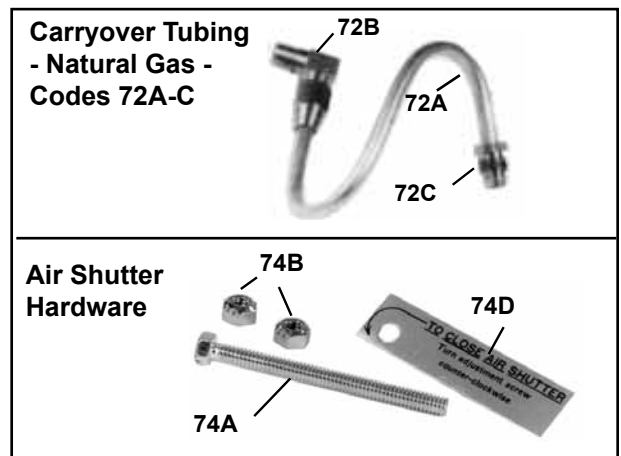
Burner Rack and Manifold Components (Numbers in parenthesis are quantities.)

Code	Description		75	100	125	150	175	200	225	250	300	D300	350	400	
60	Burner Rack with Carryovers and Air Shutters	Aluminized	65971	65972	65973	65974	65974	65975	65975	65976	65976	65978	65977	65978	
		Stainless Steel	65979	65980	65981	65982	65982	65983	65983	65984	65984	65986	65985	65986	
61	Flash Carryover (one piece)		63128		63131		63138		--	--	--	--	--	--	
62	Flash Carryover Right Section		--	--	--	--	--	63148		63141		63152	63148	63152	
63	Flash Carryover Center Section		--	--	--	--	--	--	--	63156		68071	68071	68071	
64	Flash Carryover Left Section									63144					
65	Carryover Lighter Tube (Tube only)	All RX; X Propane	9899		9859		9821		9783		9747		9520	9711	9520
66	Carryover Lighter Tube Drip Shield	X Natural Series 6	15015		15014		15013		15012		15011		14957	15010	14957
67	Main Burner only	Aluminized	85218 (4)		85218 (5)		85218 (7)		85218 (9)		85218 (12)		85218 (16)	85218 (14)	85218 (16)
		Stainless Steel	87954 (4)		87954 (5)		87954 (7)		87954 (9)		87954 (12)		87954 (16)	87954 (14)	87954 (16)
68	Manifold (less orifices)		86338		86339		86340		86342		86343		86345	86344	86345
69	Burner Orifice Drill Size See below for P/N's.	(H)X, RX Natural Gas	All Series	45	41	41	43	41	43	41	44	41	45	41	41
		(H)CX, CRX Natural Gas	All Series	45	43	43	--	43	--	43	45	43		43	43
		(H)X, RX Propane	All Series	1.20mm	1.45mm	1.45mm	55	1.45mm	55	1.45mm	55	1.45mm	1.20mm	1.45mm	1.45mm
		(H)CX, CRX Propane	All Series	1.20mm	55	55	--	55	55	55	1.20mm	55	55	55	55
70	Carryover Orifice Drill Size See below for P/N's.	(H)X Natural Gas	Series 6	70	70	70	65	65	59	59	59	59	--	54	54
		(H)RX Natural Gas	All Series	70	70	70	65	65	59	59	59	59	--	54	54
		(H)CX Natural Gas	All Series	70	70	70	65	65	59	59	59	59	--	54	54
		(H)CRX Natural Gas	Series 6	70	70	70	65	65	59	59	59	59	--	54	54
		(H)X Propane	All Series	70	70	70	65	65	65	65	59	56	56	56	56
		(H)RX Propane	All Series	70	70	70	65	65	65	65	59	56	56	56	56
		(H)CX Propane	Series 6	70	70	70	65	65	65	65	59	56	56	56	56
		(H)CRX Propane	All Series	70	70	70	65	65	65	65	59	56	56	56	56
	(H)RPV Propane	Series 6	--	--	70	65	65	65	65	59	59	59	57	56	

Main Burner Orifice Drill Size to P/N - see Code 69	Size	41	42	43	44	45	55	1.20MM	1.45MM	1.50MM
	P/N	11792	84437	11828	11833	38678	11830	63003	61652	93410
Carryover Orifice Drill Size to P/N - see Code 70	Size	70	65	59	57	56	54			
	P/N	9870	9680	10370	38274	9791	9792			



Code	Description (All Models and Sizes)	P/N
71	Carryover Regulator Assy (includes Codes 133A-G)	100712
71A	Carryover Regulator, Maxitrol RV-12, Propane	11294
71B	Carryover Regulator Tubing 1/4" x 5-1/2"	9681
71C	Carryover Regulator Tubing 1/4" x 1-1/4"	11892
71D	Carryover Regulator Tag	11935
71E	Carryover Regulator Fitting (Compression Fitting)	9664
71F	Carryover Regulator Fitting, Regulator to Manifold	1436
71G	Carryover Regulator Fitting, 90° Brass Elbow	(2) 18224
72A	Carryover Tubing, Natural Gas	93389
72B	Brass Elbow	93388
72C	Compression Fitting	9664
73	Burner Rack Isinglass	(2) 107256
74A	Air Shutter Adjustment Screw, 1/4-20 x 2-1/2" long, P/N 10653	
74B	Air Shutter Screw Nut, 1/4" -20, (2) P/N 10650	
74C	Air Shutter Slide Tinnerman Nut, 1/4"-20 (not illustrated), P/N 10651	
74D	Air Shutter Adjustment Instruction Tag, P/N 11934	



**Code 75 -
P/N 3284, Pilot
Shutoff Valve**



**Code 76 -
Shutoff
Valves**

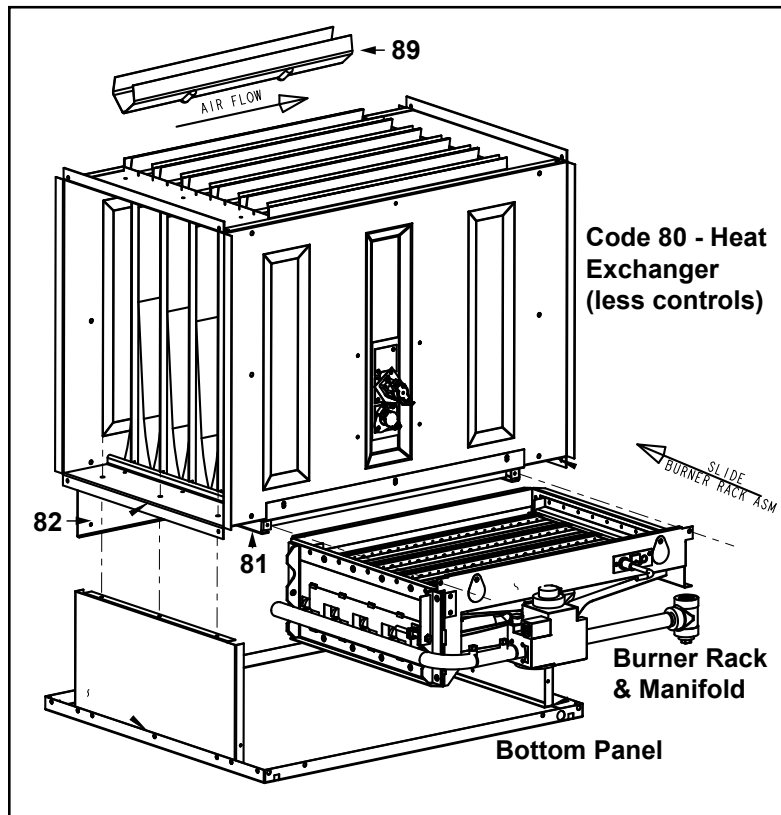


**P/N 196910, 1/2" Shutoff Valve
P/N 1196911, 3/4" Shutoff Valve
P/N 159725, 1" Shutoff Valve**

Reference: For replacement electric gas valve, see Form P-VALVES.

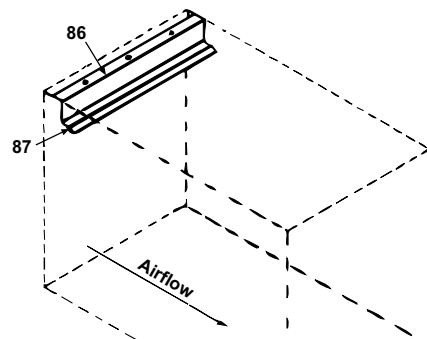
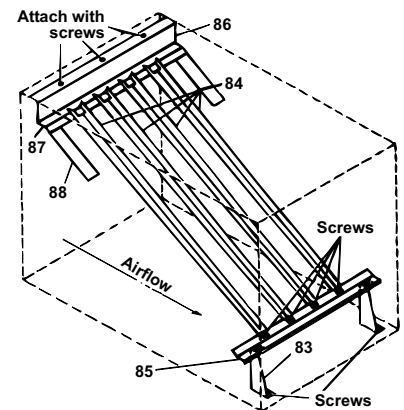
Heat Exchanger and Components (Numbers in parenthesis are quantities.)

Code	Description	Qty	75, 100	125	150, 175	200, 225	250, 300	350	D300, 400
80	X, CX - Aluminized Steel	1	9895	9855	9817	9779	9743	9707	9514
	X, CX - 409 Stainless Steel	1	19429	19430	19431	19432	19433	19434	19435
	X, CX - 321 Stainless Steel	1	19438	19439	19440	19441	19442	19443	19444
	RX, CRX - Aluminized Steel	1	44301	44304	44307	44310	44313	44316	44319
	RX, CRX - 409 Stainless	1	44302	44305	44308	44311	44314	44317	44320
	RX, CRX - 321 Stainless	1	44303	44306	44309	44312	44315	44318	44321
81	Burner Rack Slide Rail - All Models	2	9897	9857	9819	9781	9745	9709	9517
82	Burner Rack Back Brace - Al Models	1	9525	9525	9525	9525	9525	9525	9525
	Bracket for Bottom Baffle Support - P/N 55101		(2)	(2)	(2)	(2)	(4)	(4)	(4)
84	Finger Baffle - P/N 45399		(3)	(3)	(6)	(8)	(11)	(13)	(15)
85	Bottom Baffle Support	1	46478	46484	46489	46494	46499	46504	46509
86	Rear Top Baffle Support	1	55103	55104	55106	55108	55110	55112	55114
87	Rear Top Baffle	1	55228	55229	55231	55233	55235	55237	55239
88	Side Finger Baffle	2	55128	55128	55128	55128	55128	55128	55128
89	Heat Exchanger "V" Tube Baffles - P/N 85727		(4)	(5)	(7)	(9)	(12)	(14)	(16)



Codes 83-88 - Directional Air Baffles

See paragraphs below for information about the application of the air baffles.



Heat Exchanger Directional Air Baffles

Models X, CX, RX, CRX, and packaged systems with these duct furnaces as components are equipped with a heat exchanger directional air baffle assembly as shown in the illustration above (right top).

When replacing a heat exchanger, check to see if the baffle assembly can be salvaged. If the baffle assembly cannot be salvaged, it will be necessary to order the parts (Codes 83-88) in the quantities listed and assemble and install replacement baffles. (These parts must be ordered separately and installed in the field. Baffles cannot be factory installed.)

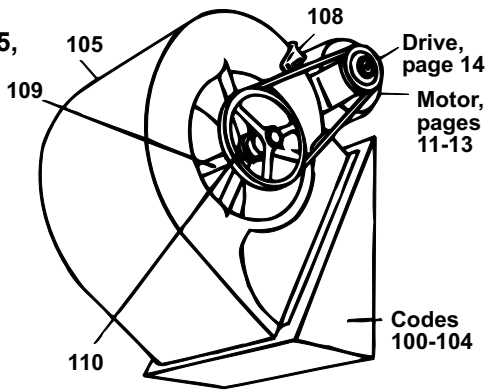
Models HX, HCX, HRX, HCRX, and packaged systems with "H" or "HC" prefix are equipped with only a rear top baffle support (Code 86) and a rear top baffle (Code 87) as shown in the illustration above (right bottom). If these parts cannot be salvaged, order and install replacements.

NOTE: During 2011, the manufacture of HX models was discontinued. A Model X manufactured after discontinuing the "H" models includes a high CFM conversion kit with instructions in the installation manual. For just the high CFM kit for Model X, order **P/N 263308** and follow the instructions in the installation manual Form I-X.

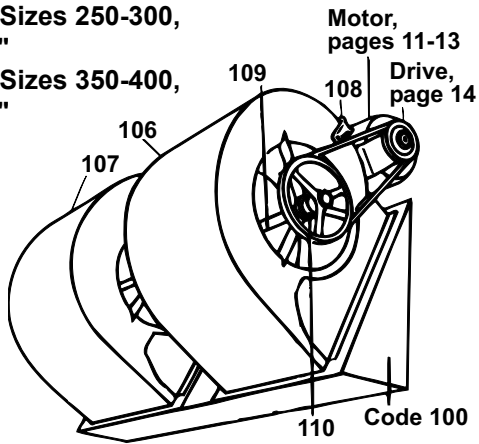
Adapter Backs for Blowers and Blowers - Models XE and RXE

Code	Component Description	75, 100, 125	150, 175	200, 225	250, 300	350	400
100	Blower Adapter Back Assembly	193986	194054	194093	193988	194063	194064
101	Blower Adapter Top & Bottom	(2) 53277	--	--	--	--	--
102	Blower Adapter Sides	(2) 53278	--	--	--	--	--
103	Left Corner Support Filler	53279	--	--	--	--	--
104	Right Corner Support Filler	53280	--	--	--	--	--

Blower for
Sizes 75-225,
A10-10AC,
3/4"



Blowers for Sizes 250-300,
2A10-10A, 1"
Blowers for Sizes 350-400,
2A12-12A, 1"



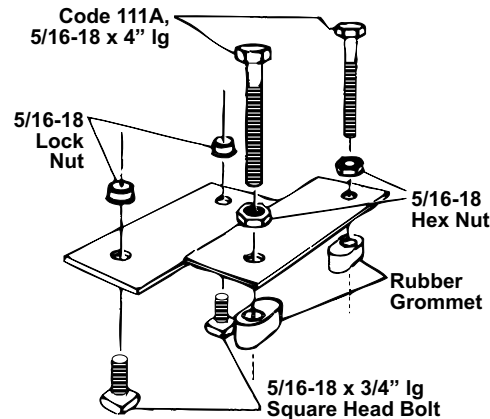
Code 108 - Motor Mounting Bracket
For motors less than 1-1/2HP (for
larger motors, see Codes 113-116)



P/N 44409 for
14" plate, 10"
wheel

P/N 44410 for 16"
plate, 12" wheel

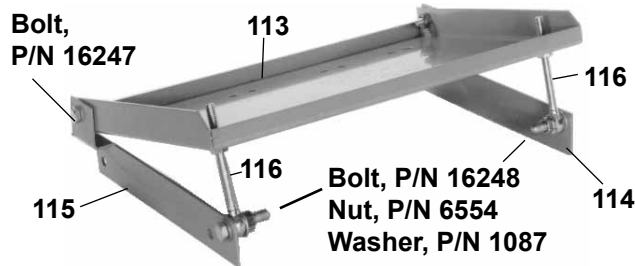
**Code 111 - Motor Adjustment Bracket
Assembly for Motors less than 1-1/2HP**



**Code 112 - Replacement
Hardware for Motor
Adjustment Bracket
Assembly, Code 111**



**Codes 113 - 116
Motor Mounting
Plate for Motors
1-1/2 HP and
larger**




Code	Component Description	75, 100, 125	150, 175, 200, 225	250, 300	350, 400	
105	Blower including Housing, Wheel, Shaft and Bearings	1357	1360	--	--	
106	Blower with motor bracket (includes housing & wheel only)	--	--	24230	24232	
107	Blower Housing and Wheel only	--	--	24229	24231	
108	Blower Motor Mounting Bracket	Less than 1-1/2 HP	44409	102533	44409	102533
109	Blower Shaft	11302, 3/4 x 22	11303, 1 x 22	10120, 1 x 39-1/4	10121, 1 x 44-5/8	
110	Blower Bearings	(2) 7310	(2) 10437			
111	Motor Adjustment Bracket Assembly		44411			
111A	Hex Head Bolt 5/16 -18 x 4" for Code 226		14668			
112	Hardware Bag		64940			
113	Motor Mounting Plate	1-1/2 HP Motor and Larger	12578			
114	Left Mounting Plate Support		12576			
115	Right Mounting Plate Support		12577			
116	Rod Bolt for Motor Mounting Plate Assembly		12489			
117	Blower Key		19361			

Replacement Blower Motors, Starters, and Variable Frequency Drives

Code 118 - Replacement Motors (Tables on pages 11-13)

Motors in the Open, TEFC, and Premium Efficiency tables that are **highlighted** in gray **do not** have internal overload protection and **must** be used with the motor starter and overload listed in the table.

Code 119 - Motor Contactor, P/N 216386, → 

for motors with internal overloads. If equipped with an optional variable frequency drive, see P/N's on the right.

Code 120 - Replacement IEC Starters and Overloads

(Listed by motor on pages 11-13.)

When ordering a replacement IEC starter (contactor) or overload, check the manufacturer's number on both parts. If the number is different than that listed, both components must be replaced. IEC Starter (contactor) and overload are mounted on rail, P/N 111387. Replacement holding coils are listed on page 13.

If the motor has a NEMA starter, see replacement information on page 13.

IEC Starter (Contactor)



IEC Adjustable Overload

Code 121 - Variable Frequency Drive (Option VFD) and Matching Line Reactor



Mtr HP	VFD Drive & Matching Line Reactor	208/1/60 230/1/60		208/3/60 230/3/60		480/3/60		575/3/60	
		ODP	TEFC	ODP	TEFC	ODP	TEFC	ODP	TEFC
1/2	Drive	221600	221605	221612	N/A				
	Line Reactor	221595	221598	221590					
3/4	Drive	N/A		221606	221613	N/A			
	Line Reactor			221598	221591				
1	Drive	221601	221607	221614	N/A				
	Line Reactor	221596	221594	221592					
1-1/2	Drive	221602	221608	221615	N/A				
	Line Reactor	221597	221595	221593					
2	Drive	221603	221609	221616	221855				
	Line Reactor	221597	221596	221585	NA (Built-in)				
3	Drive	221604	221610	221617	221856				
	Line Reactor	221599	221597	221586	NA (Built-in)				
5	Drive	N/A		221611	221618	221857			
	Line Reactor			221599	221587	NA (Built-in)			

Replacement Blower Motors and Starters

Code 118 - Motor									Frame Size	Service Factor	Power Factor	Code 120 - Starter (AN10)		Starter Overload		
Type	HP	AL	Mfr's #.	P/N	fla	volt	ph	Mfr #				P/N	Mfr #	min	max	P/N
Open	1/4	2	BF2024	210611	4.6	120	1	48/56	1.35		CL00A310T-J	151146	RTA1-L	4.00	6.30	151191
			BF2024	210611	2.3	208	1	48/56	1.15	63	CL00A310T-L	151150	RTA1-J	1.90	2.70	151189
			BF2024	210611	2.3	240	1	48/56	1.15	63	CL00A310T-S	151147	RTA1-J	1.90	2.70	151189
			M3003	115864	1.1	208	3	K48	1.35	72	CL00A310T-L	151150	RTA1-G	1.00	1.50	151187
			M3003	115864	1.4	240	3	K48	1.35	72	CL00A310T-S	151147	RTA1-G	1.00	1.50	151187
			M3003	115864	0.75	480	3	K48	1.35	72	CL00A310T-U	151148	RTA1-F	0.65	1.10	151186
Open	1/3	3	BF2034	202091	6	120	1	48/56	1.35		CL00A310T-J	151146	RTA1-L	4.00	6.30	151191
			BF2034	202091	3	208	1	48/56	1.35	62.8	CL00A310T-L	151150	RTA1-K	2.50	4.10	151190
			BF2034	202091	3	240	1	48/56	1.35	62.8	CL00A310T-S	151147	RTA1-K	2.50	4.10	151190
			M3007	115863	1.4	208	3	K48	1.35		CL00A310T-L	151150	RTA1-G	1.00	1.50	151187
			M3007	115863	1.6	240	3	K48	1.35		CL00A310T-S	151147	RTA1-H	1.30	1.90	151188
			M3007	115863	0.8	480	3	K48	1.35		CL00A310T-U	151148	RTA1-F	0.65	1.10	151186
Open	1/2	4	BF2054	102627	8.8	120	1	56Z	1.15		CL00A310T-J	151146	RTA1-N	8.00	12.00	151193
			BF2054	102627	5.1	208	1	56Z	1.15		CL00A310T-L	151150	RTA1-L	4.00	6.30	151191
			BF2054	102627	4.4	240	1	56Z	1.15		CL00A310T-S	151147	RTA1-L	4.00	6.30	151191
			H880	159183	2.5	208	3	LA56	1.25		CL00A310T-L	151150	RTA1-J	1.90	2.70	151189
			H880	159183	3	240	3	LA56	1.25		CL00A310T-S	151147	RTA1-K	2.50	4.10	151190
			H880	159183	1.5	480	3	LA56	1.25		CL00A310T-U	151148	RTA1-H	1.30	1.90	151188
			H991	202089	.9	575	3	H56	1.25		CL00A310T-I	151275	RTA1-F	0.65	1.10	151186
Open	3/4	5	C426V1	93548	11	120	1	B56			CL01A310T-J	151151	RTA1-P	10.00	16.00	151194
			C426V1	93548	5.5	208	1	B56			CL00A310T-L	151150	RTA1-M	5.50	8.50	151192
			C426V1	93548	5.4	240	1	B56			CL00A310T-S	151147	RTA1-L	4.00	6.30	151191
			312P696	36951	2.9	208	3	D56	1.25		CL00A310T-L	151150	RTA1-K	2.50	4.10	151190
			312P696	36951	2.6	240	3	D56	1.25		CL00A310T-S	151147	RTA1-K	2.50	4.10	151190
			312P696	36951	1.3	480	3	D56	1.25		CL00A310T-U	151148	RTA1-G	1.00	1.50	151187
			H992	202090	1.0	575	3	H56	1.25		CL00A310T-I	151275	RTA1-F	0.65	1.10	151186
Open	1	6	C523	13685	13	120	1	H56	1.25		CL01A310T-J	151151	RTA1-P	10.00	16.00	151194
			C523	13685	7.5	208	1	H56	1.25		CL00A310T-L	151150	RTA1-M	5.50	8.50	151192
			C523	13685	6.5	240	1	H56	1.25		CL00A310T-S	151147	RTA1-M	5.50	8.50	151192
			H882	36580	3.7	208	3	H56	1.15		CL00A310T-L	151150	RTA1-K	2.50	4.10	151190
			H882	36580	3.2	240	3	H56	1.15		CL00A310T-S	151147	RTA1-K	2.50	4.10	151190
			H882	36580	1.6	480	3	H56	1.15		CL00A310T-U	151148	RTA1-H	1.30	1.90	151188
			E1006L	158175	1.1	575	3	N143T	1.15		CL00A310T-Y	151149	RTA1-G	1.00	1.50	151187
Open	1.5	7	C524	194202	15	120	1	56	1.2	86.4	CL02A310T-J	151156	RTA1-P	10.00	16.00	151194
			C524	194202	7.8	208	1	56	1.2	86.4	CL00A310T-L	151150	RTA1-M	5.50	8.50	151192
			C524	194202	7.5	240	1	56	1.2	86.4	CL00A310T-S	151147	RTA1-M	5.50	8.50	151192
			H884L	115859	5.6	208	3	F56	1.15	66.4	CL00A310T-L	151150	RTA1-L	4.00	6.30	151191
			H884L	115859	5	240	3	F56	1.15	66.4	CL00A310T-S	151147	RTA1-L	4.00	6.30	151191
			H884L	115859	2.8	480	3	F56	1.15	66.4	CL00A310T-U	151148	RTA1-K	2.50	4.10	151190
			E1007	158162	1.6	575	3	R145T	1.15	85.3	CL00A310T-Y	151149	RTA1-H	1.30	1.90	151188

Code 118 - Motor								Frame Size	Service Factor	Power Factor	Code 120 - Starter (AN10)		Starter Overload			
Type	HP	AL	Mfr's #.	P/N	fla	volt	ph				Mfr #	P/N	Mfr #	min	max	P/N
TEFC	3	26	K222	111564	30.0	120	1	F184T	1	88	CL04A310M-J	151165	RTA1-V	25.00	32.00	151199
			K222	111564	15.0	240	1	F184T	1	88	CL02A310T-S	151157	RTA1-P	10.00	16.00	151194
			M3559T	159330	7.9	208	3	145T	1.15		CL00A310T-L	151150	RTA1-M	5.50	8.50	151192
			M3559T	159330	7.2	240	3	145T	1.15		CL00A310T-S	151147	RTA1-M	5.50	8.50	151192
			M3559T	159330	3.6	480	3	145T	1.15		CL00A310T-U	151148	RTA1-K	2.50	4.10	151190
TEFC	5	27	M3660T-5	158168	3.0	575	3	182T	1.15		CL00A310T-Y	151149	RTA1-K	2.50	4.10	151190
			K223	111567	20.2	240	1	F184T	1	90.8	CL04A310M-S	151166	RTA1-T	17.50	22.00	151197
			M3663T	155048	12.8	208	3	184T	1.15		CL01A310T-L	151155	RTA1-S	14.50	18.00	151196
			M3663T	155048	11.8	240	3	184T	1.15		CL01A310T-S	151152	RTA1-P	10.00	16.00	151194
			M3663T	155048	5.9	480	3	184T	1.15		CL00A310T-U	151148	RTA1-L	4.00	6.30	151191
			M3663T-5	158170	4.8	575	3	184T	1.15	90	CL00A310T-Y	151149	RTA1-L	4.00	6.30	151191

Code 118 - Motor								Frame Size	Service Factor	Power Factor	Code 120 - Starter (AN10)		Starter Overload			
Type	HP	AL	Mfr's #.	P/N	fla	volt	ph				Mfr #	P/N	Mfr #	min	max	P/N
EE	1	36	DHP0014	159328	3.1	208	3	143T	1.15	83.5	CL00A310T-L	151150	RTA1-K	2.50	4.10	151190
EE			DHP0014	159328	2.8	240	3	143T	1.15		CL00A310T-S	151147	RTA1-K	2.50	4.10	151190
EE			DHP0014	159328	1.4	480	3	143T	1.15		CL00A310T-U	151148	RTA1-G	1.00	1.50	151187
EE			E1006	158175	1.1	575	3	N143T	1.15		CL00A310T-Y	151149	RTA1-G	1.00	1.50	151187
EE	1.5	37	E104	105662	4.5	208	3	P145T	1.15	86	CL00A310T-L	151150	RTA1-L	4.00	6.30	151191
EE			E1016	159329	4.0	240	3	145T	1.15		CL00A310T-S	151147	RTA1-K	2.50	4.10	151190
EE			E1016	159329	2.0	480	3	145T	1.15		CL00A310T-U	151148	RTA1-J	1.90	2.70	151189
EE	2	38	E1007	158162	1.6	575	3	R145T	1.15	85.3	CL00A310T-Y	151149	RTA1-H	1.30	1.90	151188
EE			E105	105664	6.1	208	3	P145T	1.15	86.8	CL00A310T-L	151150	RTA1-L	4.00	6.30	151191
EE			E1017	159027	5.6	240	3	145T	1.15		CL00A310T-S	151147	RTA1-L	4.00	6.30	151191
EE			E1017	159027	2.8	480	3	145T	1.15		CL00A310T-U	151148	RTA1-K	2.50	4.10	151190
EE	3	39	E1008	158176	2.1	575	3	P145T	1.15	86	CL00A310T-Y	151149	RTA1-J	1.90	2.70	151189
EE			35L405S489G3	159186	8.3	208	3	145T	1.15		CL00A310T-L	151150	RTA1-N	8.00	12.00	151193
EE			EM3158T	159028	7.4	240	3	145T			CL00A310T-S	151147	RTA1-M	5.50	8.50	151192
EE			EM3158T	159028	3.7	480	3	145T			CL00A310T-U	151148	RTA1-K	2.50	4.10	151190
EE	5	40	35L405S709G1	159030	3.0	575	3	145T	1.15		CL00A310T-Y	151149	RTA1-K	2.50	4.10	151190
EE			E204	159029	11.6	208	3	H182T	1.15	89	CL02A310T-L	151159	RTA1-P	10.00	16.00	151194
EE			E204	159029	11.6	240	3	H182T	1.15	89	CL02A310T-S	151157	RTA1-P	10.00	16.00	151194
EE			E204	159029	5.8	480	3	H182T	1.15	89	CL00A310T-U	151148	RTA1-M	5.50	8.50	151192
EE			M3613T-5	111602	4.8	575	3	184T	1.15		CL00A310T-Y	151149	RTA1-L	4.00	6.30	151191

2-Speed Blower Motors

Rated HP	Motor Data			Maximum Mtr Amp Draw		Motor P/N (Volts - Phase)			IEC Starter	
	Century P/N	Frame		1800 RPM	1200 RPM	208-3	240-3	480-3	Manufacturer's P/N	Reznor P/N
1/44	M124	M145T		3.8	2.4	105641			AEG2SP-S17-C-I-H-O	114971
1/44	M124	M145T		3.4	2.2		105641		AEG2SP-S17-C-I-H-O	114971
1/44	M109	M145T		1.7	1.1			105642	AEG2SP-S17-E-G-F-O	114972
1.5/.68	M125	N145T		5.4	3.1	105643			AEG2SP-S17-C-K-I-O	114973
1.5/.68	M125	N145T		4.9	2.8		105643		AEG2SP-S17-C-K-I-O	114973
1.5/.68	M104	N145T		2.4	1.4			105644	AEG2SP-S17-E-H-G-O	114974
2/.88	M220	S182T		6.5	4.2	105645			AEG2SP-S17-C-L-K-O	114975
2/.88	M220	S182T		5.9	3.8		105645		AEG2SP-S17-C-L-I-O	114976
2/.88	M207	S182T		3.4	2.1			105646	AEG2SP-S17-E-I-H-O	114977
3/1.3	M221	S184T		9.3	5.3	105647			AEG2SP-S17-C-M-K-O	114978
3/1.3	M221	S184T		8.4	4.8		105647		AEG2SP-S17-C-M-K-O	114978
3/1.3	M208	S184T		4.6	2.6			105648	AEG2SP-S17-E-K-H-O	114979
5/2.2	M320	S215T		17.2	11.3	105870			AEG2SP-S17-C-O-M-O	114980
5/2.2	M320	S215T		15.5	10.2		105870		AEG2SP-S17-C-O-M-O	114980
5/2.2	M305	S215T		7.1	4.8			105871	AEG2SP-S17-E-L-K-O	114981

Code 122 - IEC Two-Speed Starter

Effective 9/91, IEC two-speed starters are used. Prior to 9/91, units with 2-speed motors were equipped with NEMA starters. If replacing a NEMA starter with an IEC starter, replace the complete starter. See terminal cross reference chart (right).

Original box and cover may be used for replacement IEC starter.

Terminal Cross-Reference Chart for Replacement IEC Starters		
	NEMA	IEC
Starter Wire Terminals		
High Speed	D	2T1
	F	6T3
	E	4T2
Low Speed	A	2T1
	C	6T3
Relay/Starter Coil Terminals		
	9	96 95

Code 123 - Replacement Holding Coils for IEC Starters

Voltage	GE #	Reznor P/N	For Use with Starters Beginning with GE#
24	LB1A-C	151280	CL00; CL01; CL02; CL25
120	LB1A-J	151281	CL00; CL01; CL02; CL25
208	LB1A-L	151282	CL00; CL01; CL02; CL25
230	LB1A-S	151283	CL00; CL01; CL02; CL25
460	LB1A-U	151284	CL00; CL01; CL02; CL25
575	LB1A-Y	151285	CL00; CL01; CL02; CL25
24	LB3A-C	151286	CL04; CL45
120	LB3A-J	151287	CL04; CL45
208	LB3A-L	151288	CL04; CL45
230	LB3A-S	151289	CL04; CL45
460	LB3A-U	151290	CL04; CL45
575	LB3A-Y	151291	CL04; CL45
208	LB4A-L	151292	CL06; CL07; CL08; CL09
230	LB4A-S	151293	CL06; CL07; CL08; CL09
460	LB4A-U	151294	CL06; CL07; CL08; CL09

Drive Options and Components

Drive components include the belt, motor pulley, blower pulley, and bushings, if required. The table at the right identifies the RPM range of the drive option. Drive options are listed by AM No.

(NOTE: Components listed are for currently used motors. If shaft size is different than listed or if there are no parts listed, check the replacement parts tag and/or contact the distributor or factory service for replacement parts.)

Belt Tension - Check belt tension. Proper belt tension is important to the long life of the belt and motor. A loose belt will cause wear and slippage. Too much tension will cause excessive motor and blower bearing wear. If adjustment is required, adjust belt tension with the adjusting screw on the motor base until the belt can be depressed 1/2" to 3/4". Tighten the lock nut on the adjusting screw. Be sure the belt is aligned in the pulleys.

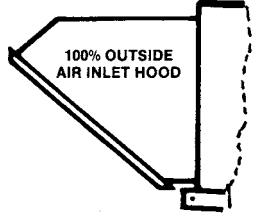
OPT	RPM Range	OPT	RPM Range	OPT	RPM Range	OPT	RPM Range
AM2	451-500	AM7	701-750	AM12	951-1000	AM17	1201-1250
AM3	501-550	AM8	751-800	AM13	1001-1050	AM18	1251-1300
AM4	551-600	AM9	801-850	AM14	1051-1100	AM19	1301-1350
AM5	601-650	AM10	851-900	AM15	1101-1150	AM20	1351-1400
AM6	651-700	AM11	901-950	AM16	1151-1200	AM21	1401-1450

Model Size	Motor HP	RPM Option No. (See Key above)	Drive Components							
			Code 124 - Blower Pulley			Code 125 - Motor Pulley			Code 126 - V-Belt	
75, 100, 125	1/4 and 1/3	AM2, AM3	116396	AL84	3/4	4074	1VL34	1/2	6183	4L420
		AM4	116395	AL74	3/4	4074	1VL34	1/2	7948	4L400
		AM5, AM6, AM7	116394	AL64	3/4	4074	1VL34	1/2	7949	4L390
		AM8, AM9, AM10, AM11, AM12, AM13	116393	AL54	3/4	4074	1VL34	1/2	10960	4L370
	1/2, 3/4, 1, 1-1/2, 2	AM5, AM6, AM7, AM8, AM9, AM10	116394	AL64	3/4	7962	1VL40	5/8	7948	4L400
		AM11, AM12, AM13	116395	AL74	3/4	13013	1VM50	5/8	50472	A45
		AM14, AM15, AM16	116394	AL64	3/4	13013	1VM50	5/8	50470	A43
150, 175, 200, 225	1/4 and 1/3	AM17, AM18, AM19, AM20, AM21	116393	AL54	3/4	13013	1VM50	5/8	50500	A41
		AM2, AM3	116400	AL84	1	4074	1VL34	1/2	6185	4L450
		AM4, AM5	116399	AL74	1	4074	1VL34	1/2	3938	4L430
150, 175, 200, 225, 350, 400	1/2, 3/4, 1, 1-1/2, 2	AM6, AM7, AM8, AM9	116399	AL74	1	13491	1VL40	1/2	6184	4L440
		AM2	116402	AL204	1	7962	1VL40	5/8	65403	A48
		AM3, AM4	116401	AL94	1	7962	1VL40	5/8	3185	4L450
		AM5	116402	AL104	1	13013	1VM50	5/8	12365	4L510
		AM6, AM7	116399	AL74	1	7962	1VL40	5/8	3184	4L440
		AM8	116401	AL94	1	13013	1VM50	5/8	50474	A47
		AM9, AM10	116398	AL64	1	7962	1VL40	5/8	3938	4L430
		AM11, AM12, AM13	116399	AL74	1	13013	1VM50	5/8	3938	4L430
		AM12	116399	AL74	1	13013	1VM50	5/8	50474	A47
		AM13, AM14, AM15, AM16	116398	AL64	1	13013	1VM50	5/8	50474	A47
	AM17, AM18, AM19, AM20, AM21	116397	AL54	1	13013	1VM50	5/8	52966	A44	
	3	AM13, AM14, AM15, AM16, AM17, AM18, AM19, AM20, AM21	116403	AL114	1	37451	1VM50	7/8	65404	A51
		AM13	116404	AL124	1	37451	1VM50	7/8	50513	A52
	250, 300	1/2, 3/4, 1, 1-1/2, 2	AM3	116399	AL74	1	13580	1VL34	5/8	6184
AM4, AM5			116400	AL84	1	7962	1VL40	5/8	3938	4L430
AM6, AM7			116399	AL74	1	7962	1VL40	5/8	6182	4L410
AM8, AM9, AM10			116400	AL84	1	13013	1VM50	5/8	6185	4L450
AM11, AM12, AM13			116399	AL74	1	13013	1VM50	5/8	50472	A45
AM14, AM15, AM16			116398	AL64	1	13013	1VM50	5/8	50470	A43
AM17, AM18, AM19, AM20, AM21			116397	AL54	1	13013	1VM50	5/8	50500	A41
3		AM13, AM14, AM15, AM16, AM17, AM18, AM19	116403	AL114	1	37451	1VM50	7/8	65403	A48

Outside Air Hood, Dampers, and Inlet Air Controls

Code	Component Description	75, 100, 125	150, 175	200, 225	250, 300	350	400
150	Outside Air Hood (Same as Option AS2)	12077	12400	11543	12416	12031	11590
151	Damper Assembly for 100% Damper Opening	105421	105422	105423	105424	105425	105426
152	Damper Single Blade, 30% Opening	37710	37711	37712	37713	37714	37715
153	Support Frame - 30% Outside Air Motorized Damper	37610	37611	37612	37613	37614	37615
154	Air Inlet Shield Top, 30% Outside Air, Manual Damper	12392	12293	11378	12119	12359	11387
	Air Inlet Shield Top, 30% Outside Air, Motorized Damper	37655	37656	37657	37658	37659	37660
155	Air Inlet Shield Right End, 30% Outside Air	11380	11380	11380	11380	11380	11380
	Air Inlet Shield Left End, 30% Outside Air	11379	11379	11379	11379	11379	11379
156	Air Inlet Shield Screen, 30% O/A, Manual Damper	12394	11755	11382	12121	12361	11389
	Air Inlet Shield Screen, 30% O/A, Motorized Damper	37634	37635	37636	37637	37638	37639
157	Air Inlet Shield Screen Retaining Angle, 30% Outside Air, Manual Damper	12395	12343	11383	12122	12362	11390
	Air Inlet Shield Screen Retaining Angle, 30% Outside Air, Motorized Damper	37648	37649	37650	37651	37652	37653
158	Screen Clamp Angle, 30% O/A, Manual Damper	20253	20254	20255	20256	20257	20258
	Screen Clamp Angle, 30% O/A, Motorized Damper	37641	37642	37643	37644	37645	37646


Code 150 - Outside Air Hood



100% OUTSIDE AIR INLET HOOD

Hood and Damper for 30% Opening

30% Hood (Codes 154-158)



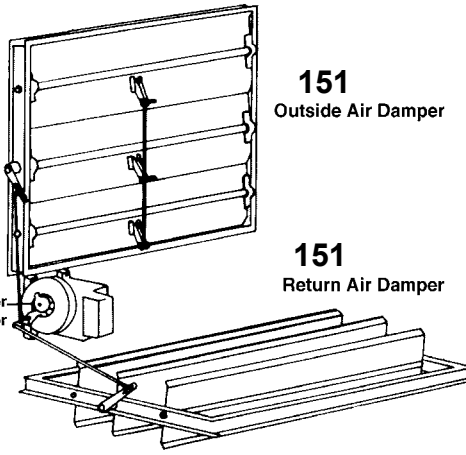
Code 152, Damper Blade

Code 160, Hand Quadrant

Code 161, Support



Dampers for 100% Openings




151 Outside Air Damper

151 Return Air Damper


Damper Motor

Code 162 - Two-Position Damper Motor, Order Kit P/N 209423 to replace P/N 66276, W/R #3405-21, or P/N 97385, W/R #3402-9



Motor in Replacement Motor Kit P/N 209423

Codes 163-164, Modulating Damper Motor




P/N 115681, M/H 9175 A1015, less end switch (Replaces P/N 53928 - see NOTE below.)

P/N 115682, M/H 9175 D1014, optional damper motor w/2 end switches (replaces P/N 96767)

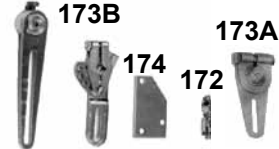
NOTE: When replacing Honeywell damper motor, Reznor P/N 53928, which is no longer available from the manufacturer, it is necessary to change the crank arm. Order **P/N 116209**, Honeywell #221455A, to use with replacement motor, P/N 115681. If the unit has both outside and return dampers, order the replacement motor, the new crank arm, a 12" return air damper rod (**P/N 11561**), and a damper arm support plate (**P/N 115687**).

White/Rodgers Damper Linkage



168 **169** **174** **170**

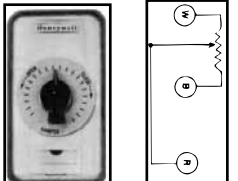
Minneapolis Honeywell Damper Linkage



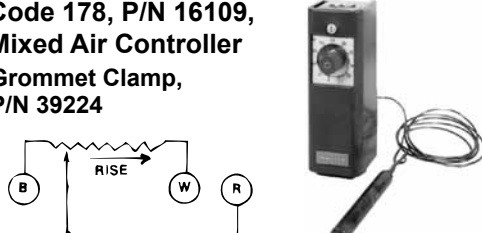
171 **173B** **173A** **174** **172**

173A - used with motors 53928, 87059 & 96767;
173B used with motors 115682, 115683 & 115681.

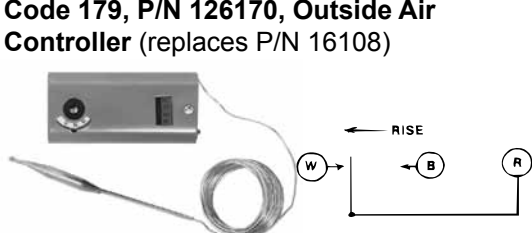
Code 177, P/N 16110, Potentiometer



Code 178, P/N 16109, Mixed Air Controller Grommet Clamp, P/N 39224



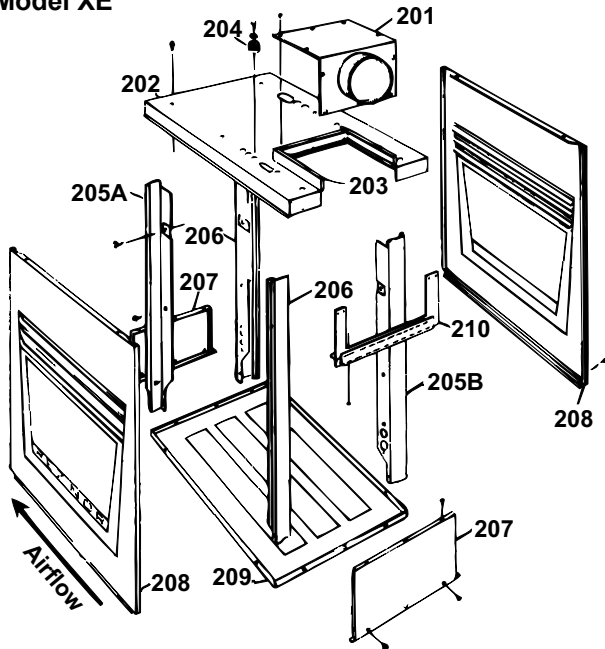
Code 179, P/N 126170, Outside Air Controller (replaces P/N 16108)



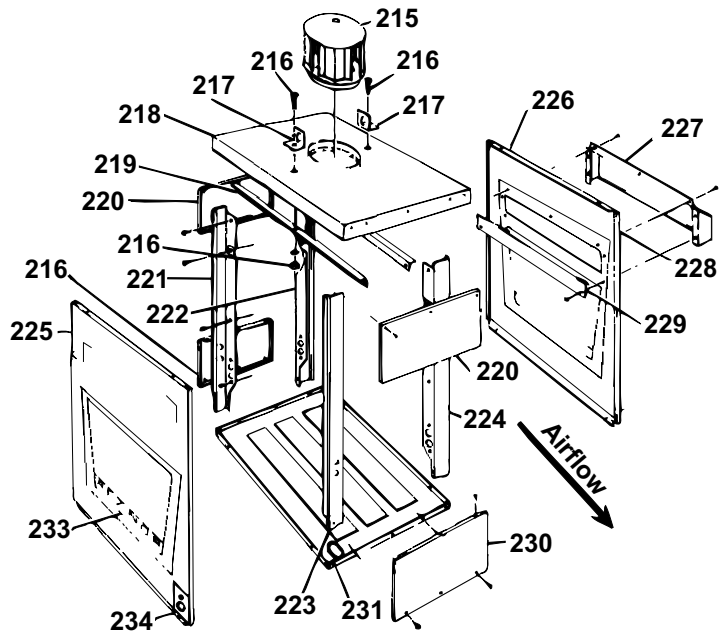
Code	Description (See illustrations, page15.)	P/N	Components by Option Description - Option AR															
			6	7	8	9	11	12	13	14	15	16	17	18				
160	Hand Quadrant #14004728-001	103502	X					X										
161	Manual Damper Control Bracket	143182	X					X										
162	2-Position Damper Motor - Order Replacement Kit P/N 209423	209423	X	X							X					X		
163	Modulating Damper Motor #M9175A1051 (less end switch)	115681				X		X	X		X	X		X		X		
164	Modulating Damper Motor #M9175D1014 (2 end switches)	115682				X		X	X		X	X		X		X		
167A	Damper Rod 1/4 x 12" Long	11561									X					X		
167B	Damper Rod 1/4 x 18" Long	11560						X	X		X	X		X		X		
168	Damper Rod Arm W-R #135-0007	66278	X															
169A	Crank Arm W/R #135-0002	66277	X								X					X		
169B	Crank Arm W/R #135-0003	112553		X							X					X		
171	Damper Arm M/H #2026S	12635		X	X	X (2)	X (2)	X (2)	X	X (2)	X (2)	X (2)	X	X (2)	X (2)	X	X (2)	
172	Ball and Socket M/H #27518	12636	X	X(2)	X(2)	X (4)	X (4)	X (4)	X (4)	X (4)	X (4)	X (4)	X (4)	X (4)	X (4)	X (4)	X (4)	
173A	Crank Arm and Clip M/H #7616BR	20874			X		X	X		X	X		X	X		X		
173B	Crank Arm M/H #221455A	116209			X		X	X		X	X		X	X		X		
174	Damper Arm Support Plate	14225				X				X						X		
175	Damper Motor Support Assembly	100315	X	X	X		X	X	X	X	X	X	X	X	X	X	X	
177	Potentiometer M/H #112894FA	16110							X		X						X	
178	Mixed Air Control M/H #T991A-1004	16109					X	X		X	X		X	X				
179	Outdoor Air Controller J/C#A19AAF-120	126170									X	X	X					
180	Damper Arm Adjustment Plate	115687					X	X		X	X		X	X			X	
181	Auxiliary End Switch only for all M/H Damper Motors, #Q607B1067, P/N 113963																	
182	Auxiliary Switch Kit (2 switches), M/H 220736B, P/N 145881																	

Cabinet Parts - Models X and RX

CODES 201-210 Exterior Furnace Cabinet Parts for indoor Model X and the furnace section of Model XE

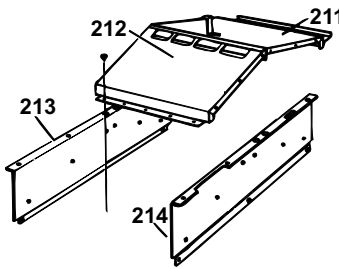


CODES 215-233 Exterior Furnace Cabinet Parts for outdoor Model RX and the furnace section of RXE.

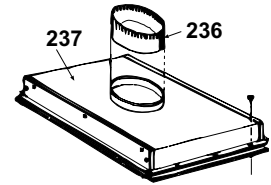


CODES 211-214 Draffhood Parts for Indoor Model Series X (also furnace section of Model Series XE)

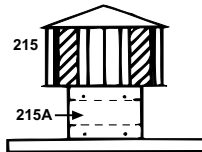
NOTE: Effective 4/91, all Model X and XE units include a blocked vent switch requiring mounting holes in the draffhood side (Code 14B). If the draffhood side is being replaced in a unit not equipped with the blocked vent switch, a patch plate with gasket must cover the blocked vent switch mounting holes.



CODES 234-237 Flue Collection Parts for Outdoor Model Series RX (also the furnace section of Model RXE)



Codes 215 and 215A - Vent Cap and Vent Cap Extension for Model Series RX



Model	Furnace		Extension	
	Sizes	Series	Height	P/N
RX, HRX	300, 350, 400	Series 6 & 8	12"	20524
CRX, HCRX	350	Series 6 & 8	12"	20524
	400	Series 6	7-1/4"	12018
	400	Series 8	12"	20524

Code	Description	75	100	125	150	175	200	225	250	300	D-300	350	400
201	Flue Collar Assembly	Model X	55197	9918	9882	9842	9842	12727		86047		86049	
		Model CX	55197	9918	9882	--	9842	--	12727	9803	86047	--	86047
202	Draft Hood & Top Assy	Model X	55196	20830	20831	20832		20833	86059		86063	86060	86061
	w/ Flue Collar	Model CX	55196	20830	20831	20832	--	20833	85533	86059	--	86062	86061
203	Flue Collar Support		9848				9691						
204	Hanger connector						9557(2)						
205A	Left Rear Corner leg		11004								11006		
205B	Right Rear Corner Leg		10309								10311		
206	Left Front & Right Rear Corner Legs		10310 (2)								10312 (2)		
207	Bottom Front & Rear Panel	Aluminized	67693 (2)	9926 (2)	9889 (2)	9850 (2)		9810 (2)	9771 (2))		9542 (2)	9735 (2)	9542 (2)
		Stainless											
208	Casing Side Panel Doors		67695 (2)								11849 (2)		
209	Heater Bottom Pan	Aluminized	15244		15248	14618	14624		14625		14632	15249	14632
		Stainless	15978		26167	15979	15980		15981		15982	26168	15982
210	Top Back		9916	9880	9840	9801		9762		9684	9729	9684	
211	Draft Hood Rear Baffle		85778		85782	85786		85790		85793	85799	85796	85799
212	Draft Hood Front Baffle		85802	85803	85536	85804	85805	67699	17486	67701	17507	67044	17540
213	Draft Hood Right Side		85807								17484		
214	Draft Hood Left Side		85808								17483		
215	Vent Cap		110053 - 6"		61857 - 8"		61866 - 10"		RX-61875-12"; CRX-61866-10"		61875 - 12"		
215A	Vent Cap Extension - See Table above												

Code	Description	75	100	125	150	175	200	225	250	300	D-300	350	400	
216	Hex Head Bolt 7/16 x 1	16251(2)												
217	Lift Eye	11026(2)												
218	Casing Top Assembly (includes insulation)	10847	10866	10873	10881	10890	RX-11107; CRX-103656		10904	10897	10904	10897	10904	
219	Hanger Angle	11012 (2)												
220	Top Front & Back	103645 (2)	100030 (2)			100032 (2)		100033 (2)		100035 (2)	100034 (2)	100035 (2)		
221	Left Rear Corner Leg	11004						11006						
222	Right Rear Corner Leg	10310						10312						
223	Left Front Corner Leg	11003						11005						
224	Right Front Corner Leg	10309						10311						
225	Left Casing Assy with Combustion Air Screen	67710	55291	14613	14621									
226	Right Casing Assy with Combustion Air Screen	67713	55292	17254	11052									
227	Combustion Air Inlet Shield	110697												
228	Combustion Air Screen	--	--	--	148396									
229	Combustion Air Inlet Angle	12649						10850						
230	Bottom Front & Rear Panel	67693 (2)	9889 (2)	9850 (2)	9810 (2)	9771 (2)	9542 (2)	9735 (2)	9542 (2)	9735 (2)	9542 (2)	9735 (2)	9542 (2)	
231	Heater Bottom Pan	Aluminized	15244	15248	14618	14624	14625	14632	15249	14632	15249	14632	14632	
		Stainless	--	--	15978	15979	15980	15981	15982	26168	15982	26168	15982	
232	Corner Panel	15029												
233	Reznor Name Plate	P/N 121264 (replaces 9538)												
234	Flue Restrictor - See type & Size below.	RX, HRX Series 6	86435	--	86440	86444	86446	86454	86456	86444	86465	--	15599	86465
		RX, HRX Series 8	136738	136739	86440	136740	136741	86493	136742	86493	86454	--	--	--
		CRX,HCRX	86492	86479	89205	--	89206	--	89208	89209	89210	--	86488	86490
235	"Z" Baffle used w/extended stack (Opt ZZ) - See type & size below.	RX, HRX Series 6	86491	86492	15584	86485	86493	86488	14935	15599	15601	15601	86494	86495
		RX, HRX Series 8	136743	136744	136745	136746	86493	89212	15596	86454	136747	--	86495	86495
		CRX,HCRX	86496	89211	15584	--	86485	--	86488	89212	86497	--	86498	89213
236	Flue Collar	12011	86474			12014			RX-12015; CRX-12014	12015				
237	Flue Collection Box w/Collar	RX	86430	86436	86437	86441	86445	86447	86455	86457	86463	87148	86466	86470
		CRX	86476	86478	86480	--	86482	--	89207	86484	86486	--	86487	86489
238	Louver Frame w/Horizontal Louvers	Applies to Model XE	39711	10018	10016	10014	10012	10001	10010	10001	10010	10001	10001	
239	Horizontal Louver Only	See the illustration below.	9923 (5)	9887 (5)	9847 (5)	9808 (5)	9679 (10)	9553 (10)	9733 (10)	9553 (10)	9733 (10)	9553 (10)	9553 (10)	
240	Vertical Louver Only		9554 (3)	9554 (4)	9554 (6)	9554 (8)	9554 (10)	9554 (14)	9554 (14)	9554 (12)	9554 (14)	9554 (14)	9554 (14)	
241	Support Feet	Model X	10680 (4) - (not illustrated)											
242	Horizontal Leg Support	Model RX	(2) 124592 (not illustrated - between right corner leg and the heat exchanger)											

Codes 234 and 235 - Flue Restrictors for Model RX



"D" Type



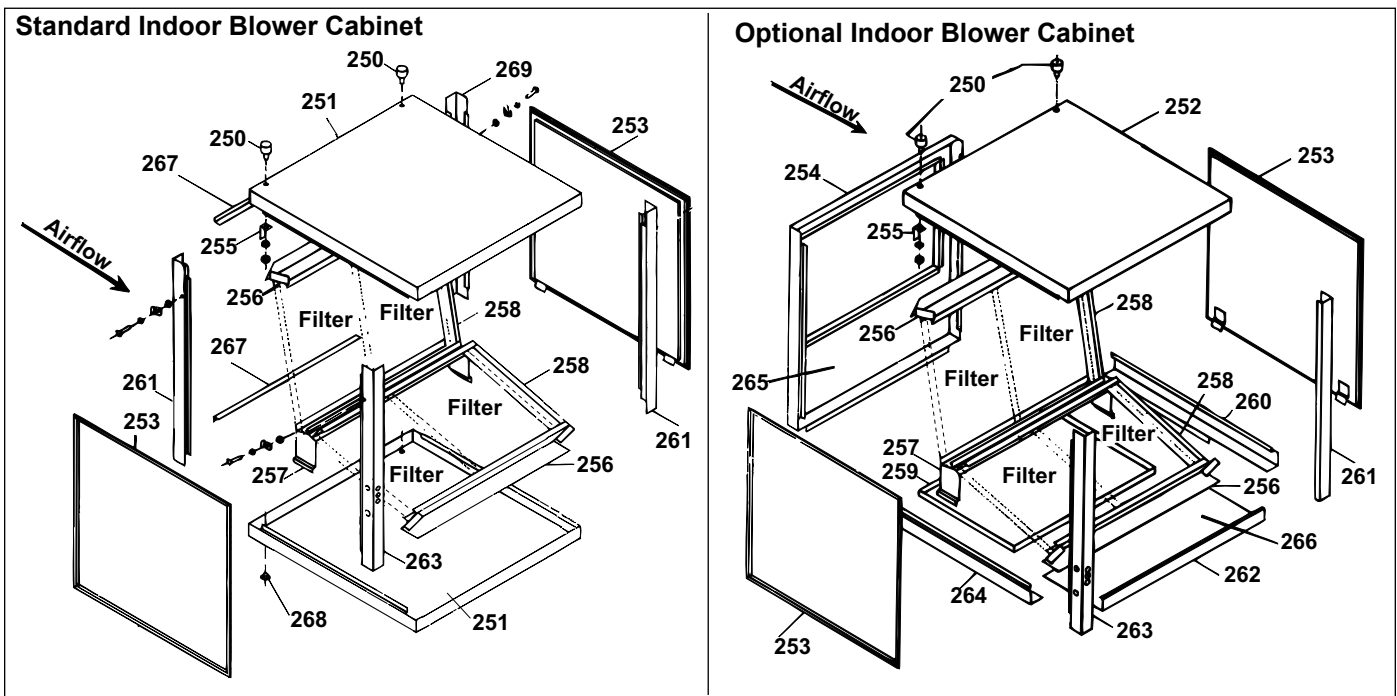
"S" Type

P/N	Type	Size	P/N	Type	Size	P/N	Type	Size
13145	S	4-1/2 x 11	86446	S	2-3/4 x 7-1/2	89206	S	3-5/8 x 7-1/2
13148	S	2-1/2 x 11	86454	D	7 x 7	89208	D	6-7/8 x 6-7/8
14935	S	7-3/4 x 7-3/4	86456	D	6-5/8 x 6-5/8	89209	D	6-3/8 x 6-3/8
15580	S	4-5/8 x 4-5/8	86465	S	8-1/4 x 8-1/4	89210	S	3 x 7-1/2
15584	S	6-7/16 x 6-7/16	86479	S	1-3/4 x 5-3/4	89211	S	4-3/4 x 4-7/16
15588	D	6-1/8 x 6-1/8	86485	D	6-1/4 x 6-1/4	89212	D	7-3/4 x 7-3/4
15590	D	5-7/8 x 5-7/8	86488	S	8 x 8	89213	S	8-5/8 x 8-5/8
15593	D	7-13/16 x 7-13/16	86490	S	4-7/8 x 11-3/4	136738	D	3-3/8 x 3-3/8
15596	D	7-5/8 x 7-5/8	86491	S	4-7/16 x 4-7/16	136740	D	5-1/8 x 5-1/8
15599	D	7-1/2 x 7-1/2	86492	S	4-1/4 x 4-1/4	136741	D	4-13/16 x 4-13/16
15601	S	9-1/4 x 9-1/4	86493	D	6 x 6	136742	D	4-1/2 x 4-1/2
15603	D	8-7/8 x 8-7/8	86494	S	8-7/8 x 8-7/8	136743	D	4-5/8 x 4-5/8
15611	D	8-1/2 x 8-1/2	86495	S	8-1/2 x 8-1/2	136744	D	4-1/4 x 4-1/4
55290	S	3 x 5-3/4	86496	S	4-3/4 x 4-3/4	136745	D	6-3/8 x 6-3/8
86435	S	4-1/8 x 4-1/8	86497	D	7-3/8 x 7-3/8	136746	D	6-1/8 x 6-1/8
86440	D	5-5/8 x 5-5/8	86498	S	9 x 9	136747	D	9-1/8 x 9-1/8
86444	S	3-1/2 x 7-1/2	89205	D	5-3/4 x 5-3/4			

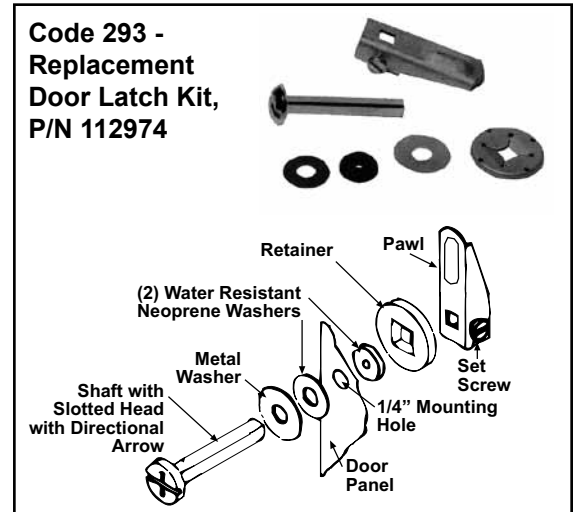
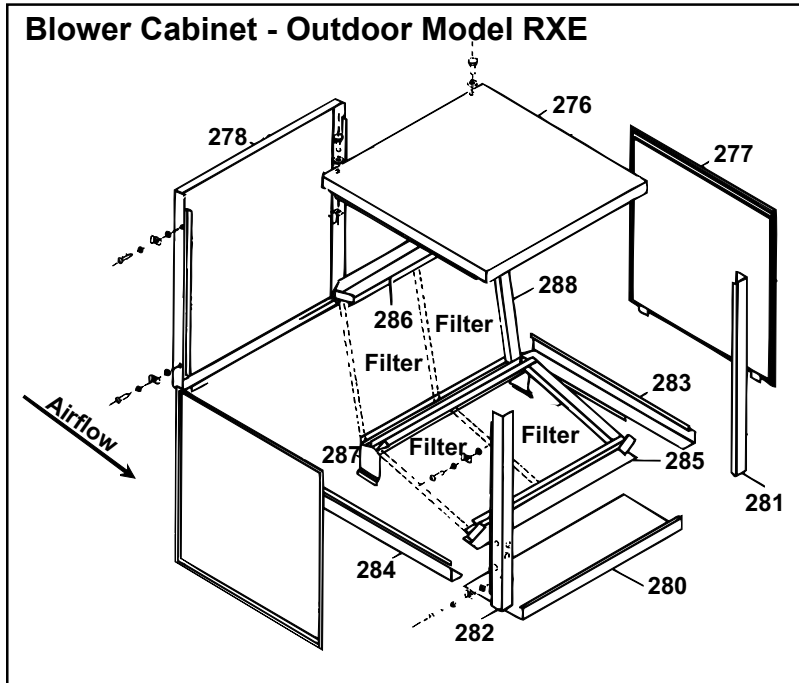
Blower Cabinets - Indoor Model XE

Code	Component Description	Cabinet	75, 100, 125	150, 175	200, 225	250, 300	350	400
249	Complete Blower Cabinet (less filter rack and filters)	Standard	12545	12546	12547	12548	12549	12550
		Optional	17046	17055	17063	17066	17120	17123
250	Hanger Assembly	All	9557	9557	9557	9557	9557	9557
251	Cabinet Top and Bottom	Standard	11522	11529	11197	11564	11574	11583
252	Cabinet Top	Optional	11825	11842	11767	11856	11862	11777
253	Blower Cabinet Door	Standard	51041	51041	51042	51042	51042	51042
		Optional	84221	84221	84222	84222	84222	84222
254	Blower Cabinet End panel	Optional	12075	12411	11540	12414	12029	11589
255	Hanger Support	All	10219	10219	10219	10219	10219	10219
256	Filter Support	All	19704	19710	19717	19723	19729	19736
257	Intermediate Filter Stops	All	19708	19715	19721	19727	19734	19742
258	Filter Stops or Blockoffs - Top/ Btm	All	--	104086 / 104086	--	--	19733 / 19733	19740 / 19741
259	Cabinet Bottom Inlet Cap	Optional	12513	12514	11538	12515	12516	11587
260	Cabinet Bottom Left Side	Optional	11203	11203	11203	11203	11203	11203
261	Left Corner Support	All	11517	11517	11210	11210	11210	11210
262	Rear Bottom Section	Optional	11526	11533	11392	11571	11580	11393
263	Right Corner Leg	All	11519	11519	19982	19982	19982	19982
264	Cabinet Bottom Right Side	Optional	11204	11204	11204	11204	11204	11204
265	Insulation for End Panel	Optional	51053	51054	12327	12328	26103	12329
266	Insulation for Bottom Panel	Optional	11155	11162	11167	11176	11180	11184
267	Duct Connecting Angle	Standard	11523	11530	11536	11567	11576	11584
268	Hole Plug for Bottom Panel	Standard	82413	82413	82413	82413	82413	82413
269	Right Rear Corner Support	Standard	11518	11518	11211	11211	11211	11211
270	Filter Rack Assembly	All	24501	24503	24505	24507	24509	24511
271	Replacement Filters* - apply to std and opt indoor cabinets	Filtr Qty and Size	(2) 20x20	(2) 20x25	(2) 16x20	(2) 20x20	(1) 20x20	(3) 16x25
					(2) 16x25	(2) 20x25	(3) 20x25	(2) 20x25
	2" disposable		104098	104100	104097	104098	104098	104099
					104099	104100	104100	104100
	1" permanent		101608	101610	101607	101608	101608	101609
					101609	101610	101610	101601
	2" permanent		101621	101623	101620	101621	101621	101622
					101622	101623	101623	101623
	1" pleated		104106	104108	104105	104106	104106	104107
					104107	104108	104108	104108
	2" pleated		104111	104113	104110	104111	104111	104112
					104112	104113	104113	104113

* 1" disposable filters are no longer available as a replacement part and must be supplied locally.

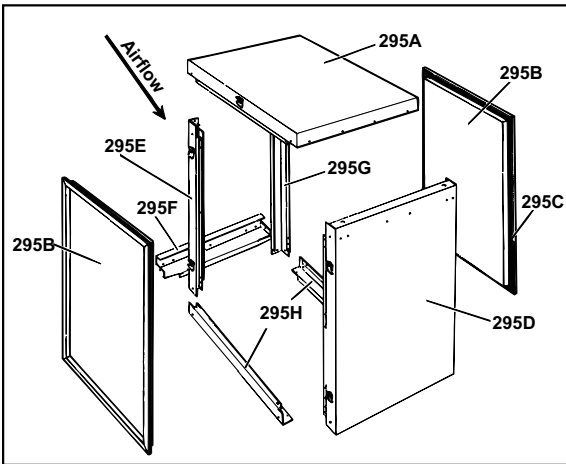


Code	Component Description	Cabinet	75, 100, 125	150, 175	200, 225	250, 300	350	400
272	Return Air Opening Screen (not illustrated) for Indoor Blower Cabinets	Standard	114468	114469	114470	114471	114472	114473
			20x29	25-1/2x29	30-3/4x32	39-1/4x32	44-3/4x32	50-1/4x32
		with Dampers	114474	114475	114476	114477	114478	110983
			27-5/16x29-3/8	32-3/4x29-3/8	38-1/4x29-3/8	46-1/2x29-3/8	52x29-3/8	57-1/2x29-3/8



Code	Component Description	75, 100, 125	150, 175	200, 225	250, 300	350	400
275	Complete Blower Cabinet (less filter rack & filters)	84215	84216	84217	84218	84219	84220
276	Cabinet Top with Insulation	11825	11842	11767	11856	11862	11777
277	Blower Cabinet Door with Insulation	15457	15457	15459	15459	15459	15459
278	Blower Cabinet End Panel w/Outside Air Opening	12074	12410	11539	12413	12028	11588
	Blower Cabinet End Panel without Outside air opening (return air only)	15322	15323	15324	15325	15326	15327
	Cabinet End Panel w/30% O/A & Manual Damper	12389	12349	11375	12116	12356	11384
	Cabinet End Panel w/30% O/A & Motorized Dmpr	37621	37623	37625	37627	37629	37631
280	Cabinet Rear Bottom Section	11526	11533	11392	11571	11580	11393
281	Left Corner Support	11517	11517	11210	11210	11210	11210
282	Right Corner Support	11519	11519	19982	19982	19982	19982
283	Cabinet Bottom Left Side	11203	11203	11203	11203	11203	11203
284	Cabinet Bottom Right Side	11204	11204	11204	11204	11204	11204
285	Filter Rack Assembly	24501	24503	24505	24507	24509	24511
286	Filter Support Member Assembly	19704	19710	19717	19723	19729	19736
287	Intermediate Filter Support	19708	19715	19721	19727	19734	19742
288	Filter Stops	--	19714	--	--	19733	19740
		--	19714	--	--	--	19741
289	Filters, 1" disposable - Replacements are no longer available; supply locally by size.	(2) 20x20		(2) 16x20		(1) 20x20	(3) 16x25
				(2) 16x25		(3) 20x25	(2) 20x25
290	Insulation for End Panel	11158	11165	11167	11176	11180	11184
291	Insulation for Bottom Panel	26102	12307	12328	12328	26103	12329
292	Spray Adhesive for Insulation, 13-3/4 ounce can, P/N 112225						

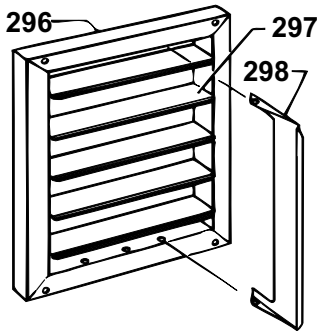
Code 295 - Downturn Plenum Cabinet - Outdoor Model RXE



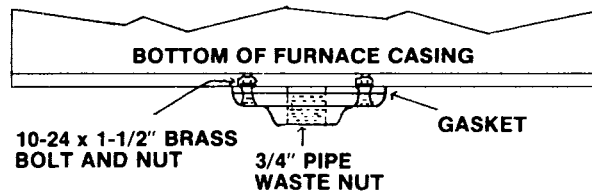
Code	Description	75, 100, 125	150, 175	200, 225	250, 300	350	400
295	Complete Downturn Cabinet	17046	17055	17063	17066	17120	17123
Components:							
295A	Cabinet Top	12302	12305	11800	12311	12317	11805
295B	Side Panel with Insulation	20639		20666			
295C	Door Panel Gasket	82442		82443			
295D	End Panel with Insulation	15322	15324	15325	15326	15327	
295E	Left Corner Support	11517		11210			
295F	Cabinet Rear Bottom	11521	11528	11535	11563	11573	11582
295G	Right Corner Support	11518		11211			
295H	Bottom Left & Right Side	11512					

Miscellaneous

CODES 296, 297, & 298 - Optional Louver Parts for Model Series XE



Code 300 - Condensate Drain Kit, P/N 31765 (Same as Option CS1)



Code 301 - Tawny Beige Touch-Up PAINT

10 oz Spray Can, P/N 37919

1 gallon can, P/N 37708

www.ReznorHVAC.com

800-695-1901

©2014 Reznor, LLC All rights reserved.

Trademark Note: Reznor® is registered in at least the United States. All other trademarks are the property of their respective owners.

0414 Form P-X/XE/RX/RXE (Version 0.1)

REZNOR®