



# Tecumseh Products Company Hermetic Condensing Unit

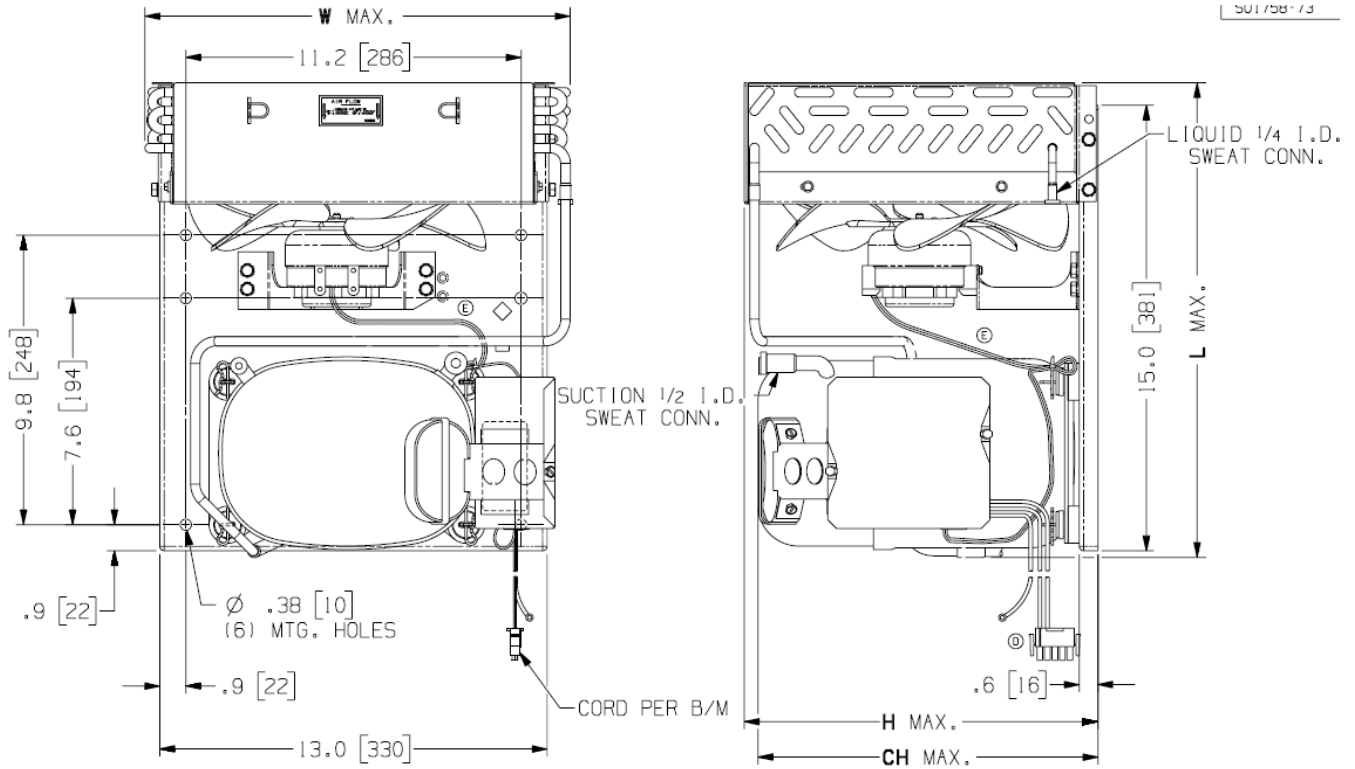
*Tecumseh*

Model: AJA4482YXDXA

BoM: 2C704-2

R-134a

3/4 HP



Model	Dimensions, inches				Line Connection*		Pumpdown	Air	Oil Ch	Gr. Wt.
	L	W	H	CH	Suction	Liquid	90 °F 90%	SCFM	Oz.	Lbs.
AJA4482YXDXA	16.0	14.3	11.7	11.4	1/2" F	1/4" F	N/A	---	26.4	---

\* F = Flare, S = Solder, RF or RS = Rotolock with Flare or Solder Connections, C = Compression Fitting

Factory charge: 20 PSIG Nitrogen – **MUST BE EVACUATED**

Evaporator T,		Ambient Temperatures											
		80°F			90°F			100°F			110°F		
°F	PSIG	BTUH	Watts	Cond T	BTUH	Watts	Cond T	BTUH	Watts	Cond T	BTUH	Watts	Cond T
10	11.9	4394	820	99	3884	811	107	3495	808	115	3020	826	124
15	15.1	5016	875	102	4490	873	110	4039	875	118	3517	884	127
20	18.4	5643	936	105	5102	940	113	4593	946	121	4024	950	130
25	22.1	6275	1001	108	5719	1011	116	5156	1021	124	4541	1022	133
30	26.1	6912	1071	111	6341	1086	119	5728	1100	127	5069	1101	136
35	30.4	7554	1147	114	6969	1166	122	6310	1183	130	5606	1187	139
45	40.0	8851	1312	121	8240	1337	128	7502	1363	137	6710	1379	145
55	51.2	10169	1496	128	9532	1524	135	8731	1558	144	7853	1598	152

## 60 Hz Performance

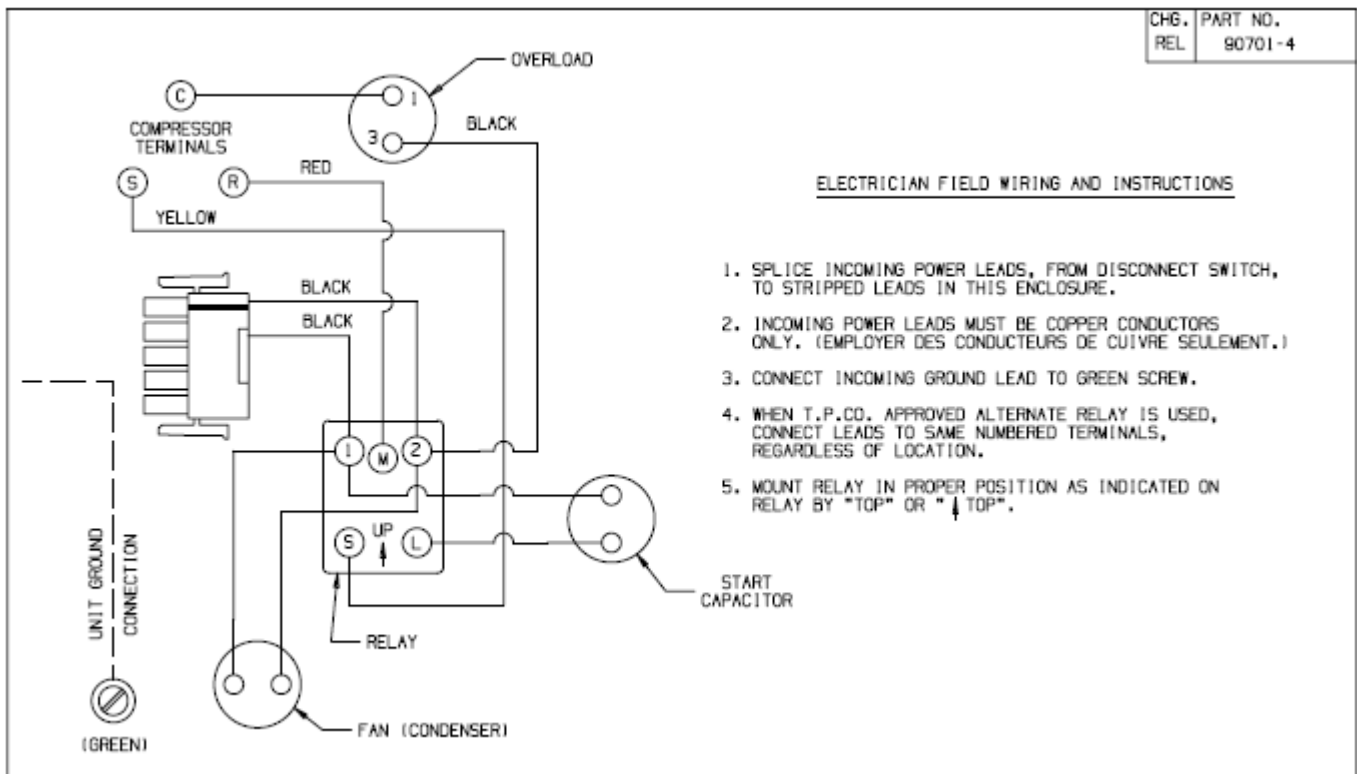
Return gas temp. 65°F, 5°F sub cooling

**Specifications/ Parts:**

<b>Unit Model</b>	<b>AJA4482YXDXA</b>
<b>Unit Bill of Material</b>	<b>2C704-2</b>
Refrigeration Range	20 F to 55° F
Design Pressure Low	150
Design Pressure High	235
Nominal Volts-Hz-Ph	208-230/60/1
Voltage Range	187-254
Min. Circuit Ampacity	9.5
Max. Fuse Size (amps)	15
Compressor Model	AJA4492YXD
Comp. Bill of Material	AJ150GT-205
Compressor RLA/LRA	7.0/41.8
Overload	8300MRAH24
Relay	8200EMBJ96
Run Capacitor	N/A
Start Capacitor	85PS250D09

Fan Motor	810M035B68
Fan Motor RLA	0.7
Fan Blade	51569
Fan Shroud	71094-1
Fan Guard	N/A
Condenser	50872-1
Liquid Valve	N/A
Suction Valve	N/A
Power Cord	N/A
Wire Harness Assembly	AU1278-005
Unit Drawing	DGU1758-73
Wiring Diagram	90701-4
Replacement Kit: Relay	K71-11
Replacement Kit: O/L	K90-91
Replacement Kit: St. Cap	K146-36

**Electrical Diagram**





# Tecumseh Products Company Hermetic Condensing Unit

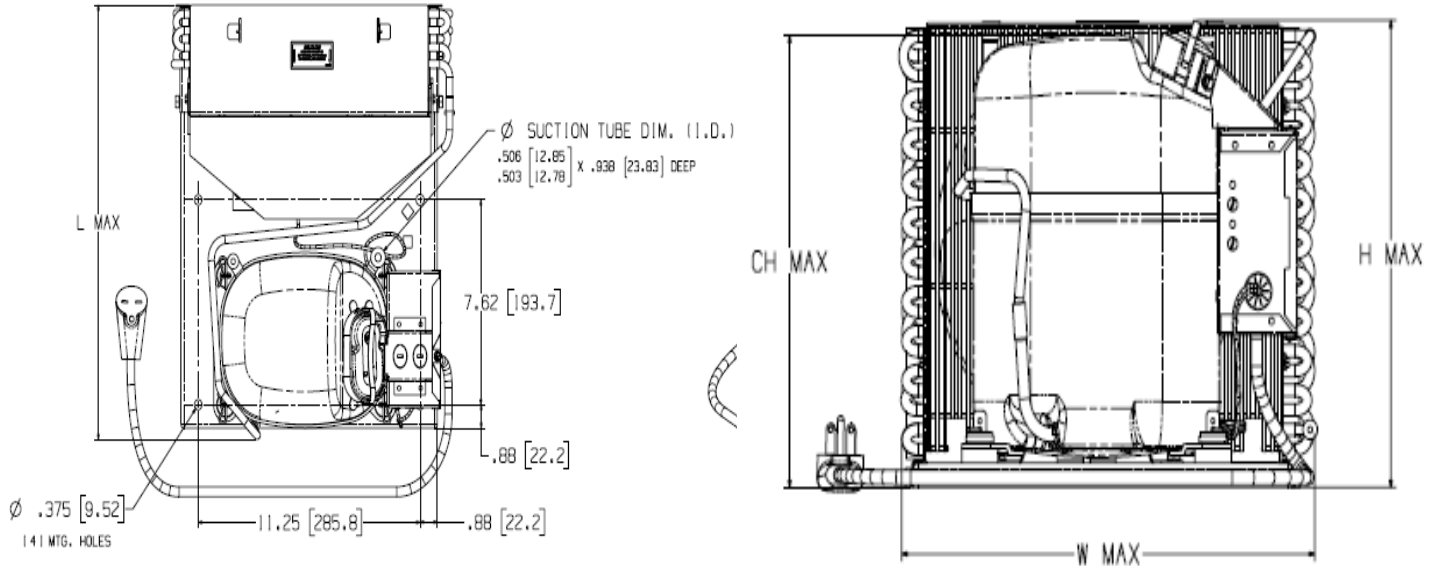
*Tecumseh*

Model: AJA4482YXDXA

BoM: 2C733-1 & 2C733-19

R-134a

3/4 HP



Model	Dimensions, inches				Line Connection*		Pumpdown	Air	Oil Ch	Gr. Wt.
	L	W	H	CH	Suction	Liquid	90 °F 90%	SCFM	Oz.	Lbs.
AJA4482YXDXA	16.2	14.2	11.9	11.5	1/2" F	1/4" F	N/A	---	26.4	---

\* F = Flare, S = Solder, RF or RS = Rotolock with Flare or Solder Connections, C = Compression Fitting  
Factory charge: 20 PSIG Nitrogen – **MUST BE EVACUATED**

Evaporator T,		Ambient Temperatures											
		80°F			90°F			100°F			110°F		
°F	PSIG	BTUH	Watts	Cond T	BTUH	Watts	Cond T	BTUH	Watts	Cond T	BTUH	Watts	Cond T
10	11.9	4394	820	99	3884	811	107	3495	808	115	3020	826	124
15	15.1	5016	875	102	4490	873	110	4039	875	118	3517	884	127
20	18.4	5643	936	105	5102	940	113	4593	946	121	4024	950	130
25	22.1	6275	1001	108	5719	1011	116	5156	1021	124	4541	1022	133
30	26.1	6912	1071	111	6341	1086	119	5728	1100	127	5069	1101	136
35	30.4	7554	1147	114	6969	1166	122	6310	1183	130	5606	1187	139
45	40.0	8851	1312	121	8240	1337	128	7502	1363	137	6710	1379	145
55	51.2	10169	1496	128	9532	1524	135	8731	1558	144	7853	1598	152

### 60 Hz Performance

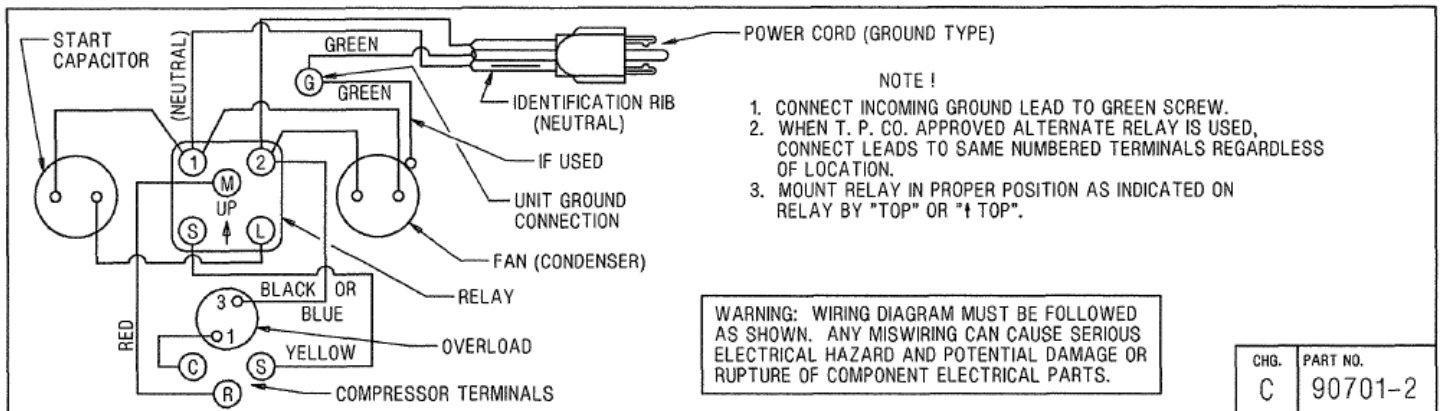
Return gas temp. 65°F, 5°F sub cooling

**Specifications/ Parts:**

<b>Unit Model</b>	<b>AJA4482YXDXA</b>
<b>Unit Bill of Material</b>	<b>2C733-1 &amp; 2C733-19</b>
Refrigeration Range	20 F to 55° F
Design Pressure Low	150
Design Pressure High	235
Nominal Volts-Hz-Ph	208-230/60/1
Voltage Range	187-254
Min. Circuit Ampacity	9.5
Max. Fuse Size (amps)	15
Compressor Model	AJA4492YXD
Comp. Bill of Material	AJ150GT-205
Compressor RLA/LRA	7.0/41.8
Overload	8300MRAH24
Relay	8200EMBJ96
Run Capacitor	N/A
Start Capacitor	85PS250D09

Fan Motor	810M035B68
Fan Motor RLA	0.7
Fan Blade	51569
Fan Shroud	71094-1
Fan Guard	71095
Condenser	50872-1
Liquid Valve	N/A
Suction Valve	N/A
Power Cord	85259-3
Unit Drawing	DGU1758-75
Wiring Diagram	90701-2
Replacement Kit: Relay	K71-11
Replacement Kit: O/L	K90-91
Replacement Kit: St. Cap	K146-36

**Electrical Diagram**





# Tecumseh Products Company Hermetic Condensing Unit

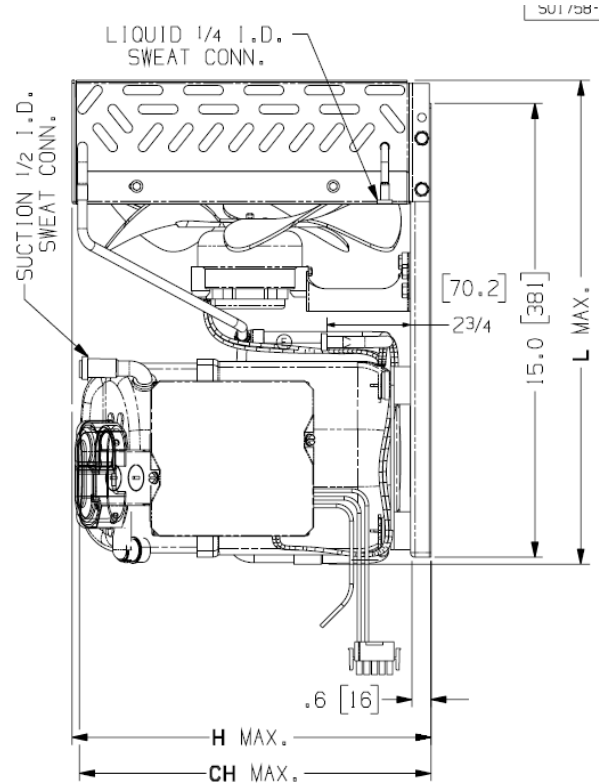
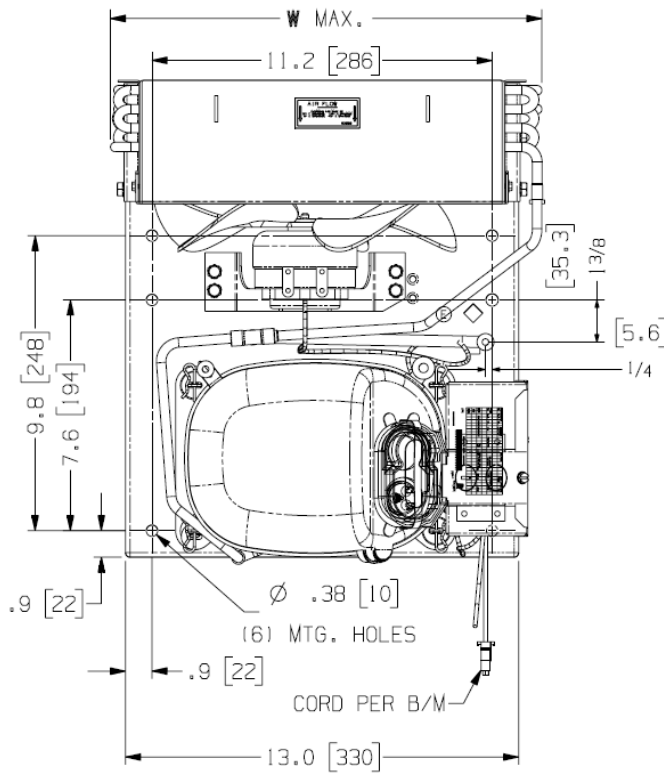
*Tecumseh*

Model: AJA4482YXDXA

BoM: 2C737-1

R-134a

3/4 HP



Model	Dimensions, inches				Line Connection*		Pumpdown	Air	Oil Ch	Gr. Wt.
	L	W	H	CH	Suction	Liquid	90 °F 90%	SCFM	Oz.	Lbs.
AJA4482YXDXA	16.0	14.3	11.7	11.4	1/2" F	1/4" F	N/A	---	26.4	---

\* F = Flare, S = Solder, RF or RS = Rotolock with Flare or Solder Connections, C = Compression Fitting

Factory charge: 20 PSIG Nitrogen – **MUST BE EVACUATED**

Evaporator T,		Ambient Temperatures											
		80°F			90°F			100°F			110°F		
°F	PSIG	BTUH	Watts	Cond T	BTUH	Watts	Cond T	BTUH	Watts	Cond T	BTUH	Watts	Cond T
10	11.9	4394	820	99	3884	811	107	3495	808	115	3020	826	124
15	15.1	5016	875	102	4490	873	110	4039	875	118	3517	884	127
20	18.4	5643	936	105	5102	940	113	4593	946	121	4024	950	130
25	22.1	6275	1001	108	5719	1011	116	5156	1021	124	4541	1022	133
30	26.1	6912	1071	111	6341	1086	119	5728	1100	127	5069	1101	136
35	30.4	7554	1147	114	6969	1166	122	6310	1183	130	5606	1187	139
45	40.0	8851	1312	121	8240	1337	128	7502	1363	137	6710	1379	145
55	51.2	10169	1496	128	9532	1524	135	8731	1558	144	7853	1598	152

## 60 Hz Performance

Return gas temp. 65°F, 5°F sub cooling

**Specifications/ Parts:**

<b>Unit Model</b>	<b>AJA4482YXDXA</b>
<b>Unit Bill of Material</b>	<b>2C737-1</b>
Refrigeration Range	20 F to 55° F
Design Pressure Low	150
Design Pressure High	235
Nominal Volts-Hz-Ph	208-230/60/1
Voltage Range	187-254
Min. Circuit Ampacity	9.5
Max. Fuse Size (amps)	15
Compressor Model	AJA4492YXD
Comp. Bill of Material	AJ150GT-205
Compressor RLA/LRA	7.0/41.8
Overload	8300MRAH24
Relay	8200EMBJ96
Run Capacitor	N/A
Start Capacitor	85PS250D09

Fan Motor	810M035B68
Fan Motor RLA	0.7
Fan Blade	51569
Fan Shroud	71094-1
Fan Guard	N/A
Condenser	50872-1
Liquid Valve	N/A
Suction Valve	N/A
Power Cord	N/A
Wire Harness Assembly	AU1278-005
Unit Drawing	DGU1758-79
Wiring Diagram	90701-4
Replacement Kit: Relay	K71-11
Replacement Kit: O/L	K90-91
Replacement Kit: St. Cap	K146-36

**Electrical Diagram**

