

# 2011

## Parts & Accessories

for water heating systems

### Preferred Parts

The premium line approved for replacement in

- Rheem® and Ruud® residential water heaters
- Rheem®-Ruud® commercial water heaters
- Richmond® residential water heaters
- PerfectFit™ commercial water heaters
- GE and Hotpoint residential water heaters

### Universal Parts

- The value line for all your replacement parts
- Fits most brands of water heaters

### Tools & Accessories

- Supplies that help with any job



National Parts service center  
from Rheem

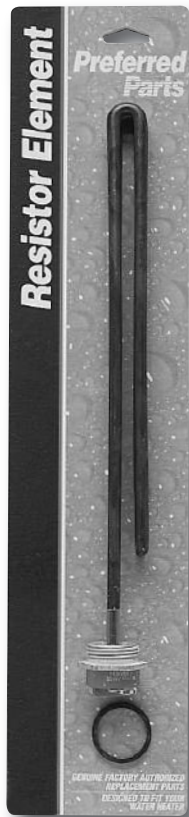


relax  
It's Rheem®

Listings, Diagrams,  
Reference Guide, Displays  
and more!

# RESIDENTIAL Preferred Parts®

The premium line of approved replacement parts.



## Resistored Stainless Steel Heating Elements

*Preferred Parts resistored stainless steel elements feature a low watt density design with an outer sheath of Incoloy® 800 to resist failure from "dry firing". Built in resistor helps prolong anode life for greater tank protection and longer working life.*

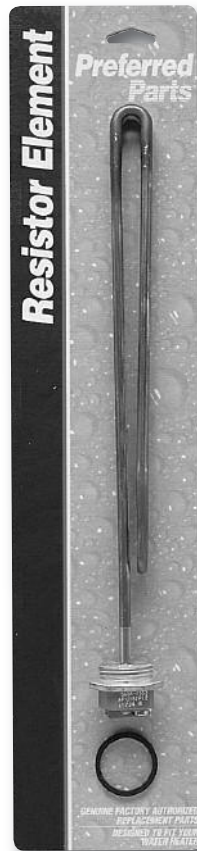
### SCREW-IN ELEMENTS

- **480V/2000W**, 9-1/2", LWD  
SP10870GL (Single)
- **480V/3000W**, 12-5/8", LWD  
SP10870JL (Single)
- **480V/4000W**, 16-1/4", LWD  
SP10870LL (Single)
- **480V/4500W**, 17-1/2", LWD  
SP10870ML (Single)
- **480V/5000W**, 19-1/8", LWD  
SP10870NL (Single)
- **480V/6000W**, 19-1/8", LWD  
SP10870QL (Single)
- **277V/2000W**, 19-1/2", LWD  
SP10871GL (Single)
- **277V/3000W**, 12-3/8", LWD  
SP10871JL (Single)
- **277V/4000W**, 16-1/4", LWD  
SP10871LL (Single)
- **277V/4500W**, LWD  
SP10871ML (Single)
- **277V/5000W**, 19-1/8", LWD  
SP10871NL (Single)
- **277V/6000W**, 19-1/8", LWD  
SP10871QL (Single)
- **240V/2000W**, 9-1/2", LWD  
SP10869GL (Single)
- **240V/2500W**, 9-15/16", LWD  
SP10869HL (Single)
- **240V/3000W**, 12-3/8", LWD  
SP10869JL (Single)
- **240V/3500W**, 13-1/2", LWD  
SP10869KL (Single)
- **240V/4000W**, 16-1/4", LWD  
SP10869LL (Single)
- **240V/4500W**, 15-1/2", LWD  
SP10869ML (Single)
- **240V/4500W**, 13-1/2", MWD  
SP10869MM (Single)
- **240V/5000W**, 19-1/8", LWD  
SP10869NL (Single)
- **240V/5500W**, 13-1/2", HWD  
SP10869PH (Single)
- **240V/6000W**, 19-1/8", LWD  
SP10869QL (Single)
- **208V/2000W**, 9-1/2", LWD  
SP10867GL (Single)
- **208V/3000W**, 12-5/8", LWD  
SP10867JL (Single)
- **208V/4000W**, 16-1/4", LWD  
SP10867LL (Single)
- **208V/4500W**, 17-1/2", LWD  
SP10867ML (Single)
- **208V/5000W**, 19-1/8", LWD  
SP10867NL (Single)
- **208V/6000W**, 19-1/8", LWD  
SP10867QL (Single)
- **120V/1440W**, 7-11/16", HWD  
SP10868LH (Single)
- **120V/1700W**, 13-1/2", LWD  
SP10868KL (Single)
- **120V/2000W**, 9-1/2", LWD  
SP10868GL (Single)

HWD = High Watt Density  
MWD = Medium Watt Density  
LWD = Low Watt Density

# RESIDENTIAL Preferred Parts®

The premium line of approved replacement parts.



## Resistor Copper Heating Elements

*Preferred Parts energy efficient resistor copper heating elements help fight lime build up and the resistor feature helps prolong the tank life of the water heater.*

### SCREW-IN ELEMENTS

- **240V/1500W**, 10-5/8", LWD  
SP10552FL (Single)
- **240V/2000W**, 7-11/16", HWD  
SP10552GH (Single)
- **240V/2000W**, 13-5/8", LWD  
SP10552GL (Single)
- **240V/2500W**, 9-7/16", HWD  
SP10552HH (Single)
- **240V/3000W**, 10-5/8", HWD  
SP10552JH (Single)
- **240V/3000W**, 11-11/16", LWD  
SP10552JL (Single)
- **240V/3500W**, 13-3/8", LWD  
SP10552KL (Single)
- **240V/4000W**, 13-3/8", LWD  
SP10552LL (Single)
- **240V/4500W**, 13-5/8", HWD  
SP10552MH (Single)
- **240V/4500W**, 13-3/4", LWD  
SP10552ML (Single)
- **240V/5000W**, 13-3/4", LWD  
SP10552NL (Single)
- **240V/5500W**, 13-1/2", HWD  
SP10552PH (Single)
- **240V/5500W**  
SP10552PL (Single)
- **240V/6000W**, 11-3/4", HWD  
SP10552QH (Single)
- **240V/6000W**  
SP10552QL (Single)
- **208V/2000W**, 7-11/16", HWD  
SP10872GH (Single)
- **208V/2000W**, 13-5/8", LWD  
SP10872GL (Single)
- **208V/2500W**, 9-7/16", HWD  
SP10872HH (Single)

- **208V/3000W**  
SP10872JH (Single)
- **208V/3000W**, 11-11/16", LWD  
SP10872JL (Single)
- **208V/4000W**, 13-3/8", LWD  
SP10872LL (Single)
- **208V/4500W**  
SP10872MH (Single)
- **208V/4500W**, 13-3/4", LWD  
SP10872ML (Single)
- **208V/5000W**, 13-3/4", LWD  
SP10872NL (Single)
- **208V/5500W**, 13-7/16", LWD  
SP10872PL (Single)
- **208V/6000W**, 11-3/4", HWD  
SP10872QH (Single)
- **208V/6000W**, 15-1-16", LWD  
SP10872QL (Single)
- **120V/1500W**, 7-11/16", HWD  
SP10874FH (Single)
- **120V/1700W**, 11-1/2", LWD  
SP10874KL (Single)
- **120V/2000W**, 7-11/16", HWD  
SP10874GH (Single)
- **120V/2500W**, 9-7/16", HWD  
SP10874HH (Single)
- **120V/3000W**, 10-5/8", HWD  
SP10874JH (Single)

### OPEN COIL ELEMENTS

- **120V/1500W**  
AP13169
- **120V/2000W**  
AP13170
- **240V/1500W**  
AP13171
- **240V/2000W**  
AP13172

### ADAPTERS

- **Adapt-O-Flange Kit**  
SP6830 (Single)

HWD = High Watt Density  
MWD = Medium Watt Density  
LWD = Low Watt Density

# RESIDENTIAL Preferred Parts®

The premium line of approved replacement parts.



Plumber's Pack



### Gas Thermostats:

- Designed to sense the water temperature inside the tank, and control on/off function of the main burner assembly



### Electric Thermostats:

- Temperature range of 100° F to 150° F
- Models are available for upper and lower heating elements on double element 240V and single element 120V water heaters

\* Electric thermostats may be ordered in bulk. Box consists of 50 thermostats of the same part number. Bulk pricing is less than the single price. Please call for pricing.

## Preferred Parts Plumber's Pack

The plumber's pack is an all-inclusive "tune-up" kit for electric water heaters featuring the most popular replacement parts on the market.

**Plumber's Pack Kit** - includes two resistored 4500 watt screw-in copper heating elements, two heating element gaskets, and upper & lower thermostats (all of which are factory preferred replacement quality)  
SP20060 (single)

## Gas Thermostats

- **Robertshaw LP Gas Thermostat** - (57-160 degrees) control valve with left hand main burner outlet threads with 1 1/4" shank - single use high limit (200 degrees) - 1/2" inlet & outlet  
SP12258B (single) 1.25" Shank  
SP12258N (single) 2.375" Shank
- **Robertshaw Convertible Natural and LP Gas Thermostat** - (150 degree max) for Manufactured Housing with 1 1/4" shank - single use high limit (195 degree)  
SP9051B (single) 1.25" Shank  
SP9051D (single) 2.25" Shank
- **Natural Gas Thermostat** - (57-160 degrees) control valve with 1 1/4" shank - single use high limit (200 degrees) - 1/2" inlet & outlet  
SP20164
- **WR Natural Gas Thermostat** - (57-160 degrees) control valve with 2 7/8" shank - single use high limit (200 degrees) - 1/2" inlet & outlet  
SP20264 (single)

## Electric Thermostats\*

- **Therm-O-Disc Upper Thermostat** (max 150 degree) & High Limit (170 degree) - Two element non-simultaneous 208, 240, 277, 480 volt  
SP11698 (single)
- **Therm-O-Disc Upper Thermostat** (max 150 degree) & High Limit (170 degree) - Two element simultaneous 208, 240, 277, 480 volt  
SP11699 (single)
- **Therm-O-Disc Upper Thermostat** (max 150 degree) & High Limit (170 degree) - Single element 120 volt  
SP11700 (single)
- **Therm-O-Disc Lower Thermostat** (max 150 degrees) simultaneous and non-simultaneous 208,240,277,480 volt  
SP11695 (single)

## Electric Thermostat Covers

- **Upper Thermostat Cover**  
AP8313-9 (single)
- **Lower Thermostat Cover**  
AP8314-9 (single)

## Manufactured Housing Only LP Conversion Kits

- **AS38849-1** 30-40 Gal DV
- **AS38903-1** 50 Gal DV
- **AS40716-2** 30-40 Gal Tall

## WR Controls

- **AP15162-C** 30, 40, 50 Gal DV
- **AP15162A** 30-40 Gal Tall

## High Wind Cap

- **SP13068**



Preferred Parts™ Electric Thermostat Covers



# RESIDENTIAL Preferred Parts®

The premium line of approved replacement parts.



## Thermocouple

This bi-metal device detects pilot flame heat and carries millivolt current to the magnet assembly in the gas control valve which sends gas to the burner assembly to ignite the burner.

## Thermocouples

- **15" Thermocouple**  
SP6379E (single)
- **17" Thermocouple**  
SP6379K (single)
- **21" Thermocouple**  
SP6379C (single)
- **24" Thermocouple**  
SP6379R (single)
- **30" Thermocouple**  
SP6379H (single)



## Pilot Burner

Designed to light the main burner when the thermostat senses the demand for more heat.

## Pilot Burner Assemblies

- **Natural Gas Pilot Burner Assembly** - .0115 orifice  
SP8980B (single)
- **LP Gas Pilot Burner Assembly** - .008 orifice - colored red for easy LP identification  
SP8980C (single)



## T & P Relief Valve:

Safety device that allows water to escape from the tank in the unlikely event that the temperature or pressure becomes excessive. Designed to operate at approx. 150 PSI and 210° F.

## Temperature & Pressure Relief Valves

- **Watts 100XL-4;** 3/4" inlet x 3/4" discharge - M150# (150 PSI pressure / 210 degree temperature) up to 100,000 BTU  
SP12574 (single)
- **Watts 100XL;** 3/4" inlet x 3/4" discharge (150 PSI pressure / 210 degree temperature) - long shank up to 100,000 BTU  
SP8346 (single)
- **T&P Extender;** 3/4" x 2-1/2" Poly Liner  
SP11620 (single)



## Drain Valve:

Used to drain hot water from the tank when performing periodic cleaning or replacing a part.

## Drain Valves

- **Brass Drain Valve;** 3/4" x 2 1/4" shank  
SP6070G (single)
- **Brass Drain Valve;** 3/4" x 3" shank - Commercial Light Duty  
SP12112S (single)
- **Standard Melet;** 3/4" NPT x 2 1/4" shank  
SP12039 (single)
- **Brass Drain Valve;** 3/4" x 2 1/4" shank – Residential  
SP12112G (single)

## Gas Connectors

- **12" Stainless Steel Gas Connector MIP X MIP**  
SP13140A
- **18" Stainless Steel Gas Connector MIP X MIP**  
SP13140B
- **24" Stainless Steel Gas Connector MIP X MIP**  
SP13140C
- **48" Pro Coat Gas Connector**  
AP13318D

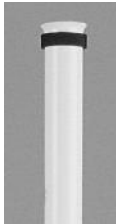
# RESIDENTIAL Preferred Parts®

The premium line of approved replacement parts.



## **Flexible Link Anode Rod:**

Metallic rod installed inside the tank to protect against corrosion. The "R-Tech"™ anode rod is made of magnesium and is designed to offer the longest lasting tank protection.



## **Dip Tube**

Non-metallic. Runs from the cold water inlet to deliver cold water to the bottom of the tank as hot water is drawn out.



**Basic Installation Kit**

## **Anode Rods**

- **R Tech Resistor Magnesium Anode Rod** 44" long x .700 dia  
SP11309C (single)
- **Galvo Magnesium** 44" long x .840 dia  
SP11345C (single)
- **Magnesium Anode Rod** 44" long x .840 dia  
SP11524C (single)
- **Magnesium Anode Rod** 58" long x .840 dia  
SP11524Z (single)
- **R Tech Resistor Magnesium Anode Rod** 44" long x .900 dia  
SP11526C (single)
- **R Tech Resistor Magnesium flexible link Anode Rod**  
52" long - 12" sections  
SP8371B (single)
- **Aluminum Anode Rod** 42" long x .625 dia  
AP12938 (single)

## **Dip Tubes\***

- **Dip Tube with anti-siphon hole** - 3/4" x 54" long - clear (North Carolina code) with gasket  
SP11251R (single)
- **Dip Tube with anti-siphon hole** - 1" x 26" long with gasket  
SP11269C (single)
- **Dip Tube with anti-siphon hole** - 3/4" x 54" long with gasket  
SP11248R (single)

\* Due to the unique application of the EverKleen Dip Tube, please call for part number and pricing. Have the model number and serial number of the water heater on hand.

## **Installation Kits**

- **Basic Installation Kit**  
SP20009
- **Gas Installation Kit**  
SP20010
- **Electric Installation Kit**  
SP20011



## Energy Star II Powered Damper

- **Thermostats**
  - SP20296 (NG - All except 43V50-50E2 & ULN)
  - SP202967 (NG - 43V50-50E2 Only)
  - SP20298 (NG - ULN Only)
  - SP20302 (LP - All Models)
- **Thermal Well**
  - AP14696B (All models except ULN)
  - AP15324 (ULN Only)
- **Flue Damper**
  - SP20294 (3 Inch - 43V50-50E2 Only)
  - SP20295 (4 Inch - 43V50-50E2 Only)
- **Damper Housing**
  - AS42968H (3 Inch)
  - AS42969H (4 Inch)
- **Pilot Assembly**
  - AP14698G (NG - All Models)
  - AP14700D (LP - All Models)
- **Draft Hood**
  - AS41646-H (3 and 4 Inch Models)
- **Pilot Igniter Assembly**
  - AP16006A (40 Gallon ULN Only)
  - AP16006B (50 Gallon ULN Only)
- **Heat Traps**
  - SP20003 (All Models)
- **Transformer Assembly**
  - SP20293 (All Models)
- **Wiring Harness**
  - AP15849 (All Models)
- **T&P Valves**
  - SP12575B (All Models)
- **Drain Valve**
  - SP12112G (All Models)
- **Inner Door Gasket**
  - SP20063 (All Models)
- **FV Sensor**
  - AP13447-3 (All Models)
- **Anode Rod**
  - SP11309C (All Models)

**PARTS DIAGRAM  
ON PAGE 37**



**PARTS DIAGRAM  
ON PAGE 41**

## POWERVENT ENERGY STAR II (43 PV)

- **Blower Assembly**  
AP15109 (40/50 Gallon Tall)  
AP15534 (40/50 Gallon Short)
- **Blower Gasket Kit**  
SP20289 (40/50 Gallon Tall)  
SP20122 (40/50 Gallon Short)
- **Pressure Switch Hose**  
SP20288 (40/50 Gallon Tall)  
SP20120 (40/50 Gallon Short)
- **Over Temperature Blower Switch**  
SP20287 (40/50 Gallon Tall)  
SP20119 (40/50 Gallon Short)
- **Rubber Blower Coupler**  
SP20290 (40/50 Gallon Tall)  
SP12638 (40/50 Gallon Short)
- **Anode Rod**  
SP11309C (All Models)
- **Heat Traps**  
SP20003 (All Models)
- **DIP Tube with Gasket**  
SP11625R (All Models)
- **Pressure Switch**  
SP20292 (40/50 Gallon Tall)  
SP20291 (40/50 Gallon Short)
- **T&P Valves**  
AP14835G (All Models)
- **Drain Valve**  
SP12112G (All Models)
- **Electronic Gas Control**  
AP14671 (NG - All Models)  
AP14672 (LP - All Models)
- **Gas Control Shank**  
AP14696A (All Models)
- **Spark Igniter Assembly**  
AP14698D (NG - All Models)  
AP14700D (LP - All Models)
- **Inner Door Gasket**  
SP20063 (All Models)
- **FV Sensor**  
AP13447-3 (All Models)
- **Electronic Display**  
AP14697A (43VP40 / 50-E)





## Heat Pump Water Heater

- **T&P Relief Valve**  
SP12577G
- **Hot Outlet J-Tube**  
SP8878N
- **ECO & Upper Tank Sensor**  
SP15100
- **Heating Element SS 2.5 KW Upper & Lower**  
SP10869HL
- **Lower Tank Sensor**  
SP15228
- **Brass Drain Valve**  
SP12112S
- **Water Pump**  
38-103141-01
- **Fan**  
70-103140-01
- **Fan Filter**  
54-103049-01
- **Circuit Board**  
47-103171-01
- **Transformer**  
46-101905-02
- **Capacitor**  
43-25136-10
- **Relay**  
42-101208-03
- **Membrane Switch**  
Rheem – 47-103216-01  
Ruud – 47-103216-02  
Richmond – 47-103216-03  
EcoSense – 47-103216-04
- **Ambient Thermistor**  
47-103122-01
- **Evaporator Thermistor**  
47-103122-02
- **Discharge Thermistor**  
47-103122-03
- **Suction Thermistor**  
47-103122-04
- **Water Out Thermistor**  
47-103122-05

**PARTS DIAGRAM  
ON PAGE 39**



**PARTS DIAGRAM  
ON PAGE 45**

## FVIR (Flammable Vapor Ignition Resistant) Parts

### Robertshaw Parts

- Gas Valve – Natural Gas  
SP20166B
- Gas Valve – Natural Gas  
SP20166A
- Gas Valve – Natural Gas  
SP20264
- Gas Valve – Natural Gas  
SP8555W
- Gas Valve – Natural Gas  
SP20166C
- Gas Valve – LP  
SP13160E
- Gas Valve – LP  
SP13160A
- Gas Valve – LP  
SP13160D
- Pilot Assembly – Natural Gas  
SP20065
- Pilot Assembly – Natural Gas  
SP20069
- Pilot Assembly – LP  
SP20070
- Pilot Assembly – Natural Gas  
SP20071
- Pilot Assembly – LP  
SP20072
- Pilot Assembly – Natural Gas  
SP20075
- Pilot Assembly – LP  
SP20076
- Thermocouple Kit  
SP20064
- Piezo Ignitor  
AP11941
- Piezo & Pilot Assembly Kit  
SP20055

### White-Rodgers Parts

- Gas Valve – Natural Gas  
SP14270G

- Gas Valve – Natural Gas  
SP14270H
- Gas Valve – Natural Gas  
SP14270K
- Gas Valve – Natural Gas  
SP14270M
- Gas Valve – Natural Gas  
SP14339B
- Gas Valve – LP  
SP14269A
- Gas Valve – LP  
SP14269D
- Gas Valve – LP  
SP14269E
- Gas Valve – LP  
SP14340C
- Pilot Assembly Kit – Natural Gas  
SP20127
- Pilot Assembly Kit – LP  
SP20128
- Thermocouple Kit  
SP20129
- Piezo Ignitor  
AP14316-1 Piezo Only
- Piezo Bracket  
AP14315
- Piezo Ignitor - With Bracket  
SP14410

### Common Service Parts

- Heat Traps  
SP20003
- Brass Drain Valve  
SP12112S
- Relief Valve  
SP12575B
- Gasket Kit  
SP20063
- Site Glass  
AP12617-2

# RESIDENTIAL Preferred Parts®

The premium line of approved replacement parts.

## FVIR Standing Pilot Parts: 30, 40 and 50 Gallon Standing Pilot Models (Excluding Direct Vent and PowerVent models)

### Cross Reference – Models with Robertshaw Controls & WR Conversions

Service Parts – Robertshaw Controls							
Rheem Model	Ruud Model	Gas Valve (NG)	Gas Valve (LP)	Pilot Assy Kit (NG)	Pilot Assy Kit (LP)	Thermo-couple Kit	Gasket Kit
<b>PROFESSIONAL SERIES WITH THE GUARDIAN SYSTEM - 30, 40 and 50 Gallon Capacities</b>							
22V40 PROF	P2-40 PROF	SP20166B*	N/A	SP20075	N/A	SP20064	SP20063
42V40 PROF	PH2-40 PROF	SP20166A	SP13160E		SP20076		
RHG PRO40-40F	RUG PRO40-40F	SP20166C*	SP13160D		SP20076		
22V50 PROF	P2-50 PROF	SP20166B*	N/A		N/A		
42V50-40 PROF	PH2-50-40 PROF	SP20166A	SP13160E		SP20076		
RHG PRO50-40F	RUG PRO50-40F	SP20166C*	SP13160D		SP20076		
RHG PRO50-50F	RUG PRO50-50F	SP8555W	N/A		N/A		
42V40SPROF	PH2-40SPROF	SP20166B*	SP13160E		SP20076		
42V50SPROF	PH2-50SPROF	SP20166B*	AP13160A		SP20076		
<b>FURY SERIES WITH THE GUARDIAN SYSTEM - 30, 40 and 50 Gallon Capacities</b>							
42VR40-40F	PH2R40-40F	SP20166C*	SP13160D	SP20075	SP20076	SP20064	SP20063
42VR50-40F	PH2R50-40F	SP20166C*	SP13160D		SP20076	SP20064	
22V30F	P2-30F	SP20166B*	SP13160A		SP20076	SP20069	
22V40-36F1	P40-36F1	SP20166B*	N/A		N/A	SP20064	
22V40F1	P2-40F1	SP20166B*	N/A		N/A		
42V40F	PH2-40F	SP20166A	SP13160E		SP20076		
22V50F1	P2-50F1	SP20166B*	N/A		N/A		
42V50-40F	PH2-50-40F	SP20166A	SP13160E		SP20076		
42V50-50F	PH2-50-50F	SP8555W	N/A		N/A		
22V30S-30F	P2-30S-30F	SP20166A	N/A		N/A		
22V40SF	P2-40SF	SP20166B*	SP13160A		SP20076		
42V40SF	PH2-40SF	SP20166B*	SP13160A		SP20076		
42V50SF	PH50SF	SP20166B*	SP13160A		SP20076		

\*WR Conversions

# RESIDENTIAL Preferred Parts®

The premium line of approved replacement parts.

## FVIR Standing Pilot Parts: 30, 40, 50, 60 and 75 Gallon Standing Pilot Models (Excluding Direct Vent and PowerVent models)

### Cross Reference – Models with White-Rodgers Controls

Service Parts – White-Rodgers Controls (Sept. 2007)										
Rheem Model	Ruud Model	Gas Valve (NG)	Gas Valve (LP)	Pilot Assy Kit (NG)	Pilot Assy Kit (LP)	Thermo-couple Kit	Gasket Kit			
<b>PROFESSIONAL SERIES WITH THE GUARDIAN SYSTEM - 30, 40, 50 and 60 Gallon Capacities</b>										
22V40 PROF	P2-40 PROF	SP14270G	N/A	SP20127	N/A	SP20129	SP20063			
42V40 PROF	PH2-40 PROF	SP14270F	SP14269E		SP20128					
RHG PRO40-40F	RUG PRO40-40F	SP14270H	SP14269D		SP20128					
22V50 PROF	P2-50 PROF	SP14270G	N/A		N/A					
42V50-40 PROF	PH2-50-40 PROF	SP14270F	SP14269E		SP20128					
RHG PRO50-40F	RUG PRO50-40F	SP14270H	SP14269D		SP20128					
RHG PRO50-50F	RUG PRO50-50F	SP14270K	N/A		N/A					
42V40SPROF	PH2-40SPROF	SP14270G	SP14269A		SP20128					
42V50SPROF	PH2-50SPROF	SP14270G	SP14269A		SP20128					
RHGPRO60F	RUGPRO60F	SP14270M	SP14269A		SP20128					
<b>FURY SERIES WITH THE GUARDIAN SYSTEM - 30, 40, 50 and 60 Gallon Capacities</b>										
42VR40-40F	PH2R40-40F	SP14270H	SP14269D	SP20127	SP20128	SP20129	SP20063			
42VR50-40F	PH2R50-40F	SP14270H	SP14269D		SP20128					
22V30F	P2-30F	SP14270G	SP14269A		SP20128					
22V40-36F1	P40-36F1	SP14270G	N/A		N/A					
22V40F1	P2-40F1	SP14270G	N/A		N/A					
42V40F	PH2-40F	SP14270F	SP14269E		SP20128					
22V50F1	P2-50F1	SP14270G	N/A		N/A					
42V50-40F	PH2-50-40F	SP14270F	SP14269E		SP20128					
42V50-50F	PH2-50-50F	SP14270K	N/A		N/A					
22V30S-30F	P2-30S-30F	SP14270F	N/A		N/A					
22V40SF	P2-40SF	SP14270G	SP14269A		SP20128					
42V40SF	PH2-40SF	SP14270G	SP14269A		SP20128					
42V50SF	PH50SF	SP14270G	SP14269A		SP20128					
42V60F	PH2-60F	SP14270M	SP14269A		SP20128					
<b>PROFESSIONAL AND FURY SERIES WITH THE GUARDIAN SYSTEM - 75 Gallon Capacity</b>										
RHGPRO75F	RUGPRO75F	SP14339B	SP14340C		SP20127			SP20128	SP20129	SP20063
42V75F	PH2-75F	SP14339B	SP14340C	SP20127	SP20128	SP20129	SP20063			



**PARTS DIAGRAM  
ON PAGE 51**

## Power Vent with Electronic Controls

- **Blower Assembly with Pressure Switch**  
SP13416 (40 & 50 Gal. Tall)  
SP13605 (40 & 50 Gal. Short)
- **Pressure Switch**  
SP13910
- **Coupling**  
SP12638
- **Anode Rod**  
SP11309C (40 & 50 Gal. Tall)  
SP11309Y (40 & 50 Gal. Short)
- **Heat Trap Nipple**  
SP20003
- **Dip Tube**  
SP11625G (40 Gal. Tall)  
SP11625R (50 Gal. Tall)  
SP11625S (40 & 50 Gal. Short)
- **T&P Valve**  
SP8346
- **Drain Valve**  
SP12112G
- **Electronic Gas Control**  
AP14671 (Nat)  
AP14672 (LP)
- **Thermostat Shank (1.926)**  
AP14696A
- **Thermostat Shank (2.870)**  
AP14696B
- **Spark Igniter Assembly**  
SP14698D (Nat)  
SP14700D (LP)
- **Inner Door Gasket Kit**  
SP20063
- **Flammable Vapor Sensor**  
AP13447-3
- **PCB Enclosure (Display Power Supply)**  
AP14875



# RESIDENTIAL Preferred Parts®

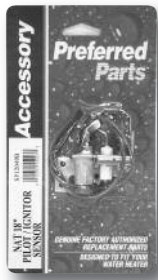
The premium line of approved replacement parts.



**Natural Gas Control Valve**



**Ignition Control**



**Pilot Burner and Ignitor Sensor:**



**Blower Motor Assembly**

## PowerVent Replacement Parts

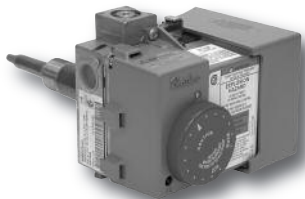
- **Honeywell 24V Natural Gas Control Valve**, PowerVent Series, 1/2" inlet x 3/8" outlet - 40/50/75 gallon Residential and Commercial models SP11652B (single)
- **Honeywell 24V LP Gas Control Valve**, PowerVent Series, 1/2" inlet x 3/8" outlet - 40/50/75 gallon Residential and Commercial models SP11652C (single)
- **Ignition Control** (Models Thru 12/1995) SP10758
- **Honeywell Ignition Control** - S8600M - Continuous Retry - 24V - used with electronic ignition system SP10763C (single)
- **Honeywell Ignition Cable** - 25 inch - 1/4" disconnect with rubber boot on pilot end SP8828G (single)
- **Therm-O-Disc Residential Thermostat** (max 140 degrees) and high limit (180 degrees) 40, 50 & 75 gallon residential SP12390 (single)
- **Therm-O-Disc Residential Thermostat** (max 160 degrees) and high limit (190 degrees) 75 gallon commercial only SP12391 (single)
- **Honeywell Pilot Burner and Ignitor Sensor** - Electronic Ignition - Natural Gas - 40-50 gallon SP12049B (single)
- **Honeywell Pilot Burner and Ignitor Sensor** - Electronic Ignition - LP Gas - 40-50 gallon SP12049C (single)
- **Honeywell Pilot Burner and Ignitor Sensor** - Electronic Ignition - Natural Gas - 75 gallon SP12049D (single)
- **Honeywell Pilot Burner and Ignitor Sensor** - Electronic Ignition - LP Gas - 75 gallon SP12049E (single)
- **Hot Surface Ignitor** - 115V, 1800 degree F, with 19" female quick connect leads - Natural or LP SP10972 (single)
- **Pressure Switch** SP11875 (single)
- **Pressure Switch (Prior to June, 1991)** SP10887K (single)
- **Transformer**, 120VAC to 24VAC SP11787 (single)
- **Blower Motor Assembly** 40, 50 gallon standard AP10983-4 (single)
- **Blower Motor Assembly** 40, 50 gallon - High Altitude only AP10984-3 (single)
- **Blower Motor Assembly** 75 gallon residential or commercial SP11608 (single)



**PARTS DIAGRAM  
ON PAGES 49**



**Blower Assembly**



**Wiper Control and Gas Valve Assembly**



**PARTS DIAGRAM  
ON PAGE 52**

## PowerVent 2 Replacement Parts

- **Blower Assembly** - Integrated vent hood, includes installed vacuum switch (SP12766), power cord, and vent coupling (SP12638). This fits the PowerVent 2 product only.  
SP12562 (single)(40/50 gallon only)
- **Anode Rod**  
SP11309C (single)
- **Flue Baffle with hanger** (has extra restrictors)  
AM39341 (single)
- **Temperature & Pressure Relief Valve**  
SP8346 (single)
- **Dip Tube**  
AP11251Q-2 (single)
- **Dip Tube Gasket**  
AP6948-3 (single)
- **Drain Valve**  
SP12112S (single)
- **Drain Valve Shroud**  
AP9167 (single)
- **Inner Door**  
AM29501 (single)
- **Outer Door**  
AM29254-4C (single)
- **Protective Cover** (cover for wiper control)  
AP12558 (single)
- **Burner Assembly** (40 Gal Natural Gas - Low NOx)  
AM39503RY (single)
- **Burner Assembly** (40 Gal LP Gas)  
AM39504RM (single)
- **Burner Assembly** (50 Gal Natural Gas - Low NOx)  
AM39503SY (single)
- **Burner Assembly** (50 Gal LP Gas)  
AM39504SM (single)
- **Heat Trap Kit**  
SP20003 (single)
- **Terminal Vent Assembly - 2" Termination**  
AM39508 (single)
- **2-inch 45 Degree PVC**  
AP12646 (single)
- **3-inch Screen**  
AS37079
- **Vacuum Tube**  
AP12768 (single)
- **Vent Coupling, 2"** rubber coupling with clamps. Connects blower to 2" PVC pipe. This fits the PowerVent 2 product only.  
SP12638 (single)
- **Spark Ignitor and Pilot Assembly** - Natural Gas. This fits the PowerVent 2 product only.  
SP12560B (single)
- **Spark Ignitor and Pilot Assembly** - LP Gas. This fits the PowerVent 2 product only.  
SP12560C (single) (40/50)  
SP12049E (75)
- **Wiper Control and Gas Valve Assembly** - Natural Gas, includes wire cover. This fits the PowerVent 2 product only.  
SP20161A (single)
- **Wiper Control and Gas Valve Assembly** - LP Gas, includes wire cover. This fits the PowerVent 2 product only.  
SP20162A (single)
- **Pressure Switch.** This fits the PowerVent 2 product only.  
SP12766 (single) (40/50)
- **On/Off Switch**  
AP12767 (single)
- **Blower Motor** (VR units only)  
AP13194 (single) (For 41VRP50-55 only)
- **Blower Motor** (22VRP75)  
AP13211-1 (single)
- **Pressure Switch** (22VRP75)  
SP20130

# RESIDENTIAL Preferred Parts®

The premium line of approved replacement parts.



*Intelli-Vent Gas Valve*



*FV Sensor*



**PARTS DIAGRAM  
ON PAGE 56**

## PowerVent with the Guardian System™ Replacement Parts

### Parts Specific to Models Manufactured with Robertshaw gas control valves between July 2006 and October 2007

- **Pilot Assembly** – Natural Gas Models  
SP13418  
SP13420  
SP13422  
SP13424
- **Pilot Assembly** – LP Gas Models  
SP13419  
SP13421  
SP13423  
SP13425
- **FV Wiper Control and Gas Valve Assembly** – Natural Gas Models+  
SP20170A (40F)  
SP20170B (50F)  
SP20170C (40SF)  
SP20170D (50SF)
- **FV Wiper Control and Gas Valve Assembly** – LP Gas Models  
SP20171A (PVP40F)  
SP20171B (PVP50F)  
SP20171C (PVP40SF)  
SP20171D (PVP50SF)
- **Control – FV Wiper Electronics**  
SP20123B
- **FV Sensor Kit**  
SP13447B
- **FV Sensor Kit w/ Cap Plug**  
SP20172

### Parts Specific to Models Manufactured with White-Rodgers gas control valves October 2007 to Present

- **Intelli-Vent Gas Valve** – Natural Gas  
SP13845A  
SP13845B
- **Intelli-Vent Gas Valve** – LP Gas  
SP13846A  
SP13846B
- **Hot Surface Ignitor** – All White-Rodgers Models  
SP14218A (40/50)  
SP14218B (75)

+ Converts Robertshaw to White Rogers.  
Kit contains the Gas Control, Burner Assembly,  
Wiring Harness, Adapters, etc.

### Common Service Parts

- **Blower Assembly – High Performance**  
SP13416 (40/50)
- **Blower Assembly**  
SP13605 (40/50 Short)
- **Blower Assembly**  
SP14140 (60)
- **Blower Assembly**  
AP14378 (75)
- **Anode Rod**  
SP11309C (40/50 only)
- **Temperature & Pressure Relief Valve**  
SP8346 (40/50 only)
- **Temperature & Pressure Relief Valve**  
SP12574 (40/50 Short)
- **Drain Valve**  
SP12112G (40/50 only)
- **Heat Trap Kit**  
SP20003 (40/50 only)
- **Inner Door Gasket Kit**  
SP20063
- **Vacuum Switch** – For use with 40 and 50 Gallon Tall Models  
SP20116
- **Vacuum Switch** – For use with 40 and 50 Gallon Short Models and 75 Gallon Models  
SP20117
- **Vacuum Switch** – For use with 60 Gallon Models  
SP20116A



*Hot Surface Ignitor*



## Power Direct Vent

- **Blower Motor Coupler**  
SP20252
- **Blower Assembly Gasket**  
SP20256
- **Blower Motor Seal**  
AP15000
- **Heat Trap Nipple**  
AP12992D
- **Anode Rod**  
AP11309C
- **Dip Tube**  
AP11625H (PDV40)  
AP11625T (PDV40P)  
AP11625U (PDV50)  
AP11625V (PDV50P, PDV50-65, PDV50P-65)
- **Dip Tube Gasket**  
AP6948
- **T&P Valve**  
SP12575B
- **Drain Valve**  
SP12112S
- **White Rodgers' Intelli-vent Combination Gas Control (NG)**  
SP14904A
- **White Rodgers' Intelli-vent Combination Gas Control (LP)**  
SP14905A
- **Hot Surface Igniter**  
SP14218A (PDV40, PDV40P)  
SP14218B (PDV50, PDV50P, PDV50-65, PDV50P-65)
- **Burner Access Door Gasket**  
SP20063
- **Flammable Vapor Sensor**  
SP20172

**PARTS DIAGRAM  
ON PAGE 58**

## Power Direct Vent (PDV and GPDV) Blower Assemblies and High Attitude Kits

Part Number (H)	Part Name	Exhaust Switch Setting (V)	Inlet Switch Setting
AP14640A-2	Blower Assembly 40 Gal	No. -0.86± .05	NC -1.10± .07
AP14640A-2	Blower Assembly 50 Gal	No. -0.86± .05	NC -1.10± .07
AP14640B-2	Blower Assembly 50 Gal LP Only	No. -1.00± .05	NC -1.10± .07
AP14771A-4	Blower Assembly 50-65	No. -1.13± .07	NC -1.10± .07
AP14640C	Blower Assembly 65	No. -0.86± .05	NC -1.05± .07
AP14771B	Blower Assembly 75	No. -1.00± .05	NC -1.00± .06
SP20268	High Altitude Kit PDV 65	No. -0.86± .05	No change required
SP20277	High Altitude Kit PDV 75	No. -1.00± .05	No change required

# RESIDENTIAL Preferred Parts®

The premium line of approved replacement parts.

## PowerVent with the Guardian System™ Parts Cross Reference Chart

Rheem Model	Ruud Model	Gas Valve – Natural Gas	Gas Valve – LP Gas	Pilot Assy. Replacement Kit (NG)	Pilot Assy. Replacement Kit (LP)	Blower Assembly	Gasket Kit	Relief Valve
<b>RHEEM AND RUUD MODELS WITH ROBERTSHAW GAS CONTROL VALVES</b>								
42VP40F	PVP40F	SP20170A	SP20171A	SP13418	SP13419	SP13416	SP20063	SP8346
42VP50F	PVP50F	SP20170B	SP20171B	SP13422	SP13423	SP13416	SP20063	SP8346
42VP40SF	PVP40SF	SP20170C	SP20171C	SP13420	SP13421	SP13605	SP20063	SP12574
42VP50SF	PVP50SF	SP20170D	SP20171D	SP13424	SP13425	SP13605	SP20063	SP12574

Rheem Model	Ruud Model	Gas Valve – Natural Gas	Gas Valve – LP Gas	Hot Surface Ignitor Kit	Blower Assembly	Gasket Kit	Relief Valve
<b>RHEEM AND RUUD MODELS WITH WHITE-RODGERS GAS CONTROL VALVES</b>							
42VP40FW	PVP40FW	SP13845A	SP13846A	SP14218A	SP13416	SP20063	SP8346
42VP50FW	PVP50FW	SP13845A	SP13846A	SP14218A	SP13416	SP20063	SP8346
42VP40SFW	PVP40SFW	SP13845B	SP13846B	SP14218A	SP13605	SP20063	SP12574
42VP50SFW	PVP50SFW	SP13845B	SP13846B	SP14218A	SP13605	SP20063	SP12574
42VP60FW	PVP60FW	SP13845B	SP13846B	SP14218A	SP14140	SP20063	SP12574
42VP75FW	PVP75FW	SP13845A	SP13846A	SP14218B	AP14378	SP20063	SP12575





## Direct Vent with the Guardian System™ Replacement Parts

- White-Rodgers Gas Valve – NG  
SP14270K
  - White-Rodgers Gas Valve – LP  
SP14269E
  - White-Rodgers Pilot Assembly Kit – NG  
SP20159
  - White-Rodgers Pilot Assembly Kit – LP  
SP20160
  - White-Rodgers Thermocouple Kit  
SP20129
  - Gasket Kit  
SP20063
- Brass Drain Valve  
SP12112G
  - Relief Valve  
SP8346
  - 4' Horizontal Vent Extension Kit  
SP20131
  - 4' Vertical Vent Extension Kit  
SP20132
  - Standard Vent Kit  
AS41461
  - Piezo Ignitor  
AP14316

**PARTS DIAGRAM  
ON PAGE 57**

## Direct Vent with the Guardian System™ Parts Cross Reference Chart

Rheem Model	Ruud Model	Gas Valve – NG	Gas Valve – LP	Pilot Assy. Replacement Kit – NG	Pilot Assy. Replacement Kit – LP	Thermocouple Replacement Kit	Gasket Kit	Relief Valve
<b>RHEEM FURY SERIES / RUUD PACEMAKER SERIES</b>								
22DV40F	PH2DV40F	SP14270K	SP14269E	SP20159	SP20160	SP20129	SP20063	SP8346
22DV50F	PH2DV50F	SP14270K	SP14269E	SP20159	SP20160	SP20129	SP20063	SP8346

# RESIDENTIAL Preferred Parts®

The premium line of approved replacement parts.

## Ultra Low NOx with the Guardian System™ Replacement Parts

- **Combustion Chamber Maintenance Gasket Kit**  
SP20135
- **Combustion Chamber Maintenance Gasket Kit**  
SP20136
- **Combustion Chamber Maintenance Gasket Kit**  
SP20137
- **Pilot Assembly Replacement Kit**  
SP20138
- **Pilot Assembly Replacement Kit**  
SP20139
- **Pilot Assembly Replacement Kit**  
SP20140
- **Pilot Assembly Replacement Kit**  
SP20141
- **Pilot Assembly Replacement Kit**  
SP20142
- **Burner Assembly Replacement Kit**  
SP20148
- **Burner Assembly Replacement Kit**  
SP20149
- **Burner Assembly Replacement Kit**  
SP20150
- **Burner Assembly Replacement Kit**  
SP20151
- **Burner Assembly Replacement Kit**  
SP20152
- **Inner Door Assembly Replacement Kit**  
SP20153
- **Inner Door Assembly Replacement Kit**  
SP20154
- **Inner Door Assembly Replacement Kit**  
SP20155
- **Inner Door Assembly Replacement Kit**  
SP20156
- **Inner Door Assembly Replacement Kit**  
SP20157
- **Inner Door Assembly Replacement Kit**  
SP20158
- **Gas Valve – NG**  
SP14270M
- **Gas Valve – NG**  
SP14270L
- **Relief Valve**  
SP12574
- **Relief Valve**  
SP12575B
- **Relief Valve**  
SP12575C
- **Heat Trap – Flapper Type**  
AP12992C
- **Drain Valve**  
SP12112E
- **Drain Valve**  
SP12112S
- **Piezo Ignitor**  
AP14316

## Ultra Low NOx with the Guardian System™ Parts Cross Reference Chart

Rheem Model	Ruud Model	Gas Valve	Combustion Chamber Gasket Kit	Pilot Assy. Replacement Kit	Burner Assy. Replacement Kit	Inner Door Assy. Kit	Relief Valve	Drain Valve
<b>RHEEM FURY SERIES / RUUD PACEMAKER SERIES</b>								
22V30FN	P2-30FN	SP14270M	SP20135	SP20138	SP20148	SP20153	SP12574C	SP12112E
22V40FN	P2-40FN	SP14270M	SP20136	SP20139	SP20149	SP20154	SP12574C	SP12112E
22V40SFN	P2-40SFN	SP14270M	SP20137	SP20141	SP20151	SP20156	SP12574C	SP12112E
22VR40FN	P2R40-FN	SP14270L	SP20136	SP20140	SP20150	SP20157	SP12575C	SP12112S
22V50FN	P2-50FN	SP14270M	SP20137	SP20141	SP20151	SP20155	SP12574C	SP12112E
22VR50FN	P2R-50FN	SP14270L	SP20137	SP20142	SP20152	SP20158	SP12575C	SP12112S
<b>RHEEM AND RUUD PROFESSIONAL SERIES</b>								
22V30 PROFN	P2-30 PROFN	SP14270M	SP20135	SP20138	SP20148	SP20153	SP12574C	SP12112E
22V40 PROFN	P2-40 PROFN	SP14270M	SP20136	SP20139	SP20149	SP20154	SP12574C	SP12112E
22V40S PROFN	P2-40S PROFN	SP14270M	SP20137	SP20141	SP20151	SP20156	SP12574C	SP12112E
RHG PRO40FN	RUG PRO40FN	SP14270L	SP20136	SP20140	SP20150	SP20157	SP12575C	SP12112S
22V50 PROFN	P2-50 PROFN	SP14270M	SP20137	SP20141	SP20151	SP20155	SP12574C	SP12112E
RHG PRO50FN	RUG PRO50FN	SP14270L	SP20137	SP20142	SP20152	SP20158	SP12575C	SP12112S
<b>RHEEM IMPERIAL SERIES / RUUD MASTER SERIES</b>								
22X30FN	M2-30FN	SP14270M	SP20135	SP20138	SP20148	SP20153	SP12574C	SP12112E
22X40FN	M2-40FN	SP14270M	SP20136	SP20139	SP20149	SP20154	SP12574C	SP12112E
22X40SFN	M2-40SFN	SP14270M	SP20137	SP20141	SP20151	SP20156	SP12574C	SP12112E
22XR40FN	M2R-40FN	SP14270L	SP20136	SP20140	SP20150	SP20157	SP12575C	SP12112S
22X50FN	M2-50FN	SP14270M	SP20137	SP21041	SP20151	SP20155	SP12574C	SP12112E
22XR50FN	M2R-50FN	SP14270L	SP20137	SP21042	SP20152	SP20158	SP12575C	SP12112S

## Marathon Replacement Parts



### HEATING ELEMENTS

- **Lower Element** (3800W), MR30, MR40 gallon models  
SP210197
- **Lower Element** (3000W), MR30, MR40, MR50, MSR50, MR75, MR85, and MR105 gallon models  
SP210201
- **Lower Element** (3800W), MSR50, MR75, MR85, MR105 gallon models  
SP210198
- **Lower Element** (4500W), MSR50, MR75, MR85, MR105 gallon models  
SP213670
- **Heating Element** (3000W/240V)  
SP213480 (single)
- **Heating Element** (2000W/120V)  
SP213540 (single)
- **Upper Element** (3800W)  
SP610130 (single)
- **Upper Element** (3800W) MR30 - MR105  
SP213820 (single)
- **Upper Element** (5500W)  
SP610140 (single)
- **Upper Element** (3000W)  
SP610150 (single)

- **Upper Element** (4500W)  
SP610160 (single)
- **Upper Element** (4500W) MR30 - MR105  
SP213790 (single)
- **Lower element** (4500W), MR30, MR40 gallon  
SP213660
- **Heating Element** (5500W)  
SP10698PH (single)
- **Heating Element** (4500W/240V)  
SP10698MH (single)
- **Heating Element** (5500W/240V)  
SP10698RL (single)

### REPLACEMENT PARTS

- **Knock Out Bracket**  
SP213070 (single)
- **Lower Access Panel Cover**  
SP213090 (single)
- **Use and Care Manual**  
SP213270 (single)
- **Access Panel Cover Insulation**  
SP213340 (single)
- **Thermostat Insulation**  
SP213350 (single)
- **Use and Care Manual Supplement**  
SP213360 (single)
- **120V Temperature Control Thermostat**  
SP213590 (single)
- **240V Temperature Control Thermostat**  
SP213600 (single)
- **Use and Care Manual**  
SP213620 (single)
- **Use and Care Manual Supplement**  
SP213630 (single)
- **Vacuum Relief Valve**  
SP623335 (single)
- **Dip Tube** (MR85, MR105 gallon models)  
SP230018 (single)
- **Dip Tube** (MSR50 gallon short model)  
SP230019 (single)
- **Dip Tube** (MR15, MR20 gallon models)  
SP230021 (single)
- **Dip Tube** (MR30 gallon model)  
SP230023 (single)
- **Dip Tube** (MR75 gallon model)  
SP230024 (single)
- **Dip Tube** (MR40, MR50 gallon models)  
SP230025 (single)
- **Seal Ring** (MR30, MR40, MR50, MSR50, MR75, MR80 gallon models)  
SP230090 (single)
- **Seal Ring Hot Side** (MR105 gallon model only)  
SP230110 (single)
- **Pipe Wrap Energy Kit**  
SP231520 (single)
- **Lock Washer**  
SP231710 (single)

- **Cap Screw**  
SP240420 (single)
- **Grommet Hot Side** (MR105 gallon model only)  
SP240480 (single)
- **Grommet Hot Side** (MR30, MR40, MR50, MSR50, MR75, MR85 gallon models)  
SP240490 (single)
- **Lower Protector**  
SP310010 (single)
- **Lower Thermostat**  
SP310020 (single)
- **Lower Thermostat** (30 Gallon and Larger)  
SP210239 (single)
- **Upper Thermostat** (30 Gallon and Larger)  
SP210245 (single)
- **Upper Thermostat** (High Temp)  
SP210246 (single)
- **Upper Protector**  
SP310040 (single)
- **Element Gasket**  
SP310060 (single)
- **Upper Temperature Control Thermostat**  
SP310230 (single)
- **Screw #10-32 x 3/8**  
SP310240 (single)
- **Drain Valve**  
SP310270 (single)
- **Screw #10-16 x 5/8**  
SP330020 (single)
- **Reducer Bushing 1" x 3/4"** (MR105)  
SP330030 (single)
- **T & P Valve**  
SP330040 (single)
- **Drain Valve**  
SP330090 (single)
- **Screw #8**  
SP330180 (single)
- **Reducer 1" x 3/4" Cold Side**  
SP330200 (single)
- **Tee 3/4" x 3/4" x 3/4"**  
SP330210 (single)
- **Nipple 3/4" x 3"**  
SP330230 (single)
- **Junction Box Cover**  
SP410910 (single)
- **Upper Access Panel**  
SP411800 (single)
- **Lower Access Panel**  
SP411810 (single)
- **Access Panel**  
SP412050 (single)
- **Element Wrench**  
SP610070 (single)

# RESIDENTIAL Preferred Parts®

The *premium line* of approved replacement parts.

---



## Accessories

- **Mobile Home Straps**  
SP20048
- **Earthquake Straps**  
SP13345 (single)
- **Heat Traps**  
SP20003 (single)
- **Water Heater Stand, 21" X 21" X 16"**  
SP13044
- **ProtectionPlus 4-Yr. Limited Warranty Extension Kits\* -**  
Pkg. of 6 (no single kit orders)  
SP20079
- **Wall Mount Kit**  
AS 36111

\* For use on: Professional, Fury, Pacemaker, Heavy Duty, PowerVent and Direct Vent models.  
Not for use on: Warrior, Warrior DV, Marathon, Point-of-Use or Table Top models.

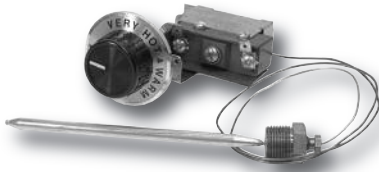
## Thermal Expansion Tanks Save Energy and Money

*Expanded (heated) water is absorbed by a Thermal Expansion Tank which means...*

- **Water heater and fixtures are protected**
  - **Eliminates BTU and water waste, saving money and energy**
  - **No dangerous pressure build up in the system**
  - **Relief valves will not be triggered**
  - **Potential safety hazard reduced**
- 
- **RRT Therm-X-Guard Expansion Tank 2.5 Gal**  
RRT-5 (Single)
  - **RRT Therm-X-Guard Expansion Tank 5 Gal**  
RRT-12 (Single)
  - **RRT Therm-X-Guard Expansion Tank 10 Gal**  
RRT-25 (Single)



*Expansion Tanks*



**Immersion Thermostat**



**3-Pole Fuse Block**



**Fuses**

## Commercial Electric Water Heaters

### ELECTRIC THERMOSTATS

- **Therm-O-Disc Upper Thermostat** (max 150 degree) & High Limit (170 degree) - 50 Gallon Surface Mount  
SP11234 (single)
- **Therm-O-Disc Upper Thermostat** (max 170 degree) & High Limit (190 degree) - 85 & 120 Gallon Surface Mount  
SP11231 (single)
- **Immersion Thermostat** - White-Rogers (110 - 190 degrees) 60" capillary tube  
SP11805 (single)
- **Immersion High Limit** - White-Rogers (200 degrees) manual reset - 60" capillary tube  
SP11806 (single)
- **Immersion Thermostat** (80 - 190 degrees) - 24" capillary tube  
SP8260 (single)
- **Immersion High Limit** - (205 degrees) manual reset - 15" capillary tube  
SP5411 (single)
- **Therm-O-Disc Upper Thermostat** (110-170 degree) & High Limit (190 degree), non-simultaneous ELD models only  
SP8293 (single)
- **Therm-O-Disc Lower Thermostat** (110-170 degree), non-simultaneous ELD models only  
SP8295 (single)
- **Hand Hole Gasket Kit**  
SP22079 (single)
- **Hand Hole Gasket ONLY**  
SP5886

### CONTACTORS AND TRANSFORMERS

- **Contactor** - 3 pole; 120V; 35 amp; I-F-G Class G  
SP12841 (single)
- **Transformer with Jumper**  
SP10006 (single)
- **Copper Conductor**  
AM25285 (single)

### FUSES AND FUSE BLOCKS

- **Fuse Block** - 3 pole; holds 1 5/8 L x 13/32 dia fuses Class G - 30 amp  
SP8311E (single)
- **Fuse Block** - Class G - 35 amp Fuse  
SP11112 (single)
- **Fuse** - 30 amp 1 5/8 L x 13/32 dia Class G  
SP8264M (single)
- **Fuse** - 35 amp Class G  
SP8264K (single)
- **Junction Box**  
AM35196

### TEMPERATURE AND PRESSURE RELIEF VALVES

- **Watts 100XL-4;** 3/4" inlet x 3/4" discharge - M150# (150 PSI pressure/ 210 degree temperature) 6-27 KW (100,000BTU)  
SP12574 (single)
- **Watts 40XL-5;** 3/4" inlet x 3/4" discharge - M150# (150 PSI pressure/ 210 degree temperature) 30-54 KW (200,000 BTU)  
SP9013D (single)
- **Watts L100XL-3;** 3/4" inlet x 3/4" discharge - M150# (150 PSI pressure/ 210 degree temperature) 81 KW  
AP13849 (single)

### RESTORED STAINLESS STEEL HEATING ELEMENTS – POWERPACK

- **480V/4000W (PowerPack)**  
AP12879LL
- **480V/4500W (PowerPack)**  
AP12879ML
- **480V/5000W (PowerPack)**  
AP12879NH
- **480V/6000W (PowerPack)**  
AP12879QH
- **277V/4000W (PowerPack)**  
AP12880LL
- **277V/4500W (PowerPack)**  
AP12880ML
- **277V/5000W (PowerPack)**  
AP12880NH
- **277V/6000W (PowerPack)**  
AP12880QH
- **240V/4000W (PowerPack)**  
AP12878LL
- **240V/5000W (PowerPack)**  
AP12878NH
- **240V/6000W (PowerPack)**  
AP12878QH
- **208V/4000W (PowerPack)**  
AP12877LL
- **208V/4500W (PowerPack)**  
AP12877ML
- **208V/5000W (PowerPack)**  
AP12877NH
- **208V/6000W (PowerPack)**  
AP12877QH
- **Gasket – Element**  
SP6708



# COMMERCIAL Preferred Parts®

The *premium line* of approved replacement parts.



**Honeywell Ignition Control**



**Pilot Burner and Ignitor Sensor**



**Immersion Thermostat & High Limit**



**Watts Temperature & Pressure Relief Valve**

## Commercial Heavy Duty Gas Water Heaters

### GAS VALVES

- **Honeywell 1/2 Inlet x 3/4 Outlet Gas Valve** - Natural Gas - 24V  
SP10963B (single)
- **Honeywell 1/2 Inlet x 3/4 Outlet Gas Valve** - LP Gas - 24V  
SP10963C (single)
- **Honeywell 3/4 Inlet x 3/4 Outlet Gas Valve** - Natural Gas - 24V  
SP10963D (single)
- **Honeywell 3/4 Inlet x 3/4 Outlet Gas Valve** - LP Gas - 24V  
SP10963E (single)
- **Robertshaw High Capacity Natural Gas Valve** 1" Inlet x 1" Outlet Slow Opening Valve  
SP8099N (single)
- **Robertshaw High Capacity LP Gas Valve** 1" Inlet x 1" Outlet - Slow Opening Valve  
SP8099P (single)

### IGNITION CONTROL MODULE & CABLE

- **Honeywell Ignition Control** S8600M - Continuous Retry - 24V - used with electronic ignition system  
SP10763C (single)
- **Honeywell Ignition Cable** - 25 inch - 1/4" disconnect with rubber boot on pilot end  
SP8828G (single)

### PILOT SENSOR

- **Honeywell Pilot Burner and Ignitor Sensor** - Natural Gas - Electronic Ignition  
SP10764B (single)
- **Honeywell Pilot Burner and Ignitor Sensor** - LP Gas - Electronic Ignition  
SP10764C (single)

### TRANSFORMER

- **Bassler** - 120 VAC to 24 VAC  
SP10550B (single)

### LEG EXTENSIONS REQUIRED FOR N.S.F. APPROVAL

- **Leg Extension Kit for N.S.F. Approval for Models:** G50-98, G75-125, G82-156, G76-180, G37-200, G76-200, G91-200, G100-200(A), G72-250(A), G100-250(A), GD100-250(A), G100-270(A), GD100-270(A), G72-300(A), G65-360(A), G85-300(A), G100-310(A), GD100-310(A), GD100-360(A), G65-400(A), G85-400(A), G100-400(A)  
AM35450 (single)

### THERMOSTATS AND HIGH LIMITS

- **Honeywell Immersion Thermostat** - (100-180 degrees) & High Limit - single immersion well - 1 13/16" shank x 3/4" NPT  
SP11799 (single)
- **Honeywell Immersion Thermostat** - (100-180 degrees) & High Limit (200 degrees) - dual immersion well with 39 1/4" capillary - 1 13/16" shank x 3/4" NPT  
SP11798B (single)
- **White-Rogers Manual Re-Set Immersion Thermostat** (100-180 degrees) & High Limit dual immersion well with 46" capillary - 3/4" NPT  
SP12015 (single)

### DAMPER ASSEMBLY

- **Due to the unique application of damper assemblies, please call for part numbers and pricing. Have the model number and serial number of the water heater on hand.**

### TEMPERATURE AND PRESSURE RELIEF VALVES

- **Watts 100XL-4;** 3/4" inlet x 3/4" discharge - M150# (150 PSI pressure/ 210 degree temperature) up to 100,000 BTU  
SP9013E (single)
- **Watts 40XL-5;** 3/4" inlet x 3/4" discharge - M150# (150 PSI pressure/ 210 degree temperature) up to 200,000 BTU  
SP9013D (single)
- **Watts L40XL-6;** 1" inlet x 1" discharge (150 PSI pressure/ 210 degree temperature) up to 500,000 BTU  
SP9012B (single)

### DIAGNOSTIC SYSTEM

- **System Sentinel**  
AM38875 (single)

### OTHER PARTS

- **Ignitor Bracket**  
AE34933-1
- **Wiring Harness**  
AP11327-5



**PARTS DIAGRAM  
ON PAGE 69**

## Spiderfire™ Ultra High Efficiency Commercial Gas

- **Direct Spark Igniter**  
SP20258
- **Flame Sensor Rod Kit**  
SP20259
- **Temperature Sensor – Water & ECO**  
AP14074-3
- **Flue Sensor – Exhaust Temp**  
AP14280-1
- **Control Board – Argus**  
AP14023-1
- **Display Board Kit – Argus**  
SP20260
- **Condensate Trap**  
AP14685-2
- **Drain Valve**  
AP12231B-1
- **T&P Valve**  
SP9013D (130 to 199k)  
SP9012B (250 to 400k)
- **On/Off Switch**  
AP12767
- **Hand Hole Gasket**  
SP5886
- **UL Sanitation Kit**  
AS42690C (130/160/199k)  
AS42690B (250/300/350k)
- **Concentric Vent Kit**  
Call for Application
- **Display Jumper Harness**  
AP14758
- **Diffuser Nipple**  
AP14859
- **45° Elbow (ULC636 Canada Only)**  
AP14889
- **Pressure Switch Assembly**  
Call For Application
- **GHE Burner Assembly Kit (NG)**  
Call For Application
- **GHE Burner Assembly Kit (LP)**  
Call For Application
- **GHE Main Control Harness**  
AP14092-2
- **GHE Blower Control Harness**  
AP14157-3
- **GHE Main Power Harness**  
AP14158-6
- **GHE Gas Valve Harness**  
AP14159-4
- **GHE Igniter Cable Harness**  
AP15294-4
- **Ground Wire Harness**  
AP15261



## Commercial Induced Draft Gas Water Heaters Unique Replacement Parts

- **Inducer Assembly**  
SP13800 – Fits models GD100-250(A) and GD270(A), NG and LP
- **Inducer Assembly**  
SP13801 – Fits model GD100-310(A), NG only
- **Inducer Assembly**  
SP13802 – Fits models GD100-310(A), LP only and GD100-360(A), NG and LP
- **Pressure Switch**  
SP13989

**PARTS DIAGRAM  
ON PAGE 71**

## Nine basic commercial gas parts fix all 23 Universal and Induced Draft Water Heaters

Model Number	Gas Valve (NG)	Gas Valve (LP)	Ignition Control Module	Pilot Sensor (NG)	Pilot Sensor (LP)	Thermostat	T&P Valve
G50-98	SP10963B	SP10963C	SP10763C	SP10764B	SP10764C	SP11799	SP9013D
G75-125							
G82-156							
G37-200							
G76-180							
G76-200							
G91-200							
G100-200							
G72-250							
G100-250							
G100-270							
G72-300							
G85-300							
G100-310							
G65-360							
G65-400							
G85-400							
G100-400	SP8099N	SP8099P					SP9012B
GD100-250	SP10963D	SP10963E				SP12015	
GD100-270							
GD100-310							
GD100-360							



**PARTS DIAGRAM  
ON PAGE 74**

## Commercial Low NOx Water Heaters

- **GN75-125** AM39731 (single)
- **GN76-200** AM39741 (single)
- **GN82-156** AM39760 (single)
- **GN91-200** AM39189 (single)
- **GN100-200** AM39732 (single)
- **GN100-250** AM39737 (single)
- **GN100-270** AM39738 (single)
- **GN100-400** AM40016 (single)

### BURNER/MANIFOLD ASSEMBLIES

(Without gas valve and blower assembly)

- **GN37-200** AM39188 (single)
- **GN65-360** AM39767 (single)
- **GN72-250** AM40020 (single)
- **GN75-125** AM39245-3 (single)
- **GN76-200** AM39188 (single)
- **GN82-156** AM39759 (single)
- **GN91-200** AM39342 (single)
- **GN100-200** AM39718-3 (single)
- **GN100-250** AM39764 (single)
- **GN100-270** AM39246 (single)
- **GN100-400** AM39526 (single)

### BLOWER ASSEMBLIES

- **GN37-200** AM39729 (single)
- **GN65-360** AM39766 (single)
- **GN72-250** AM39734 (single)
- **GN75-125** AM39728 (single)
- **GN76-200** AM39740 (single)
- **GN82-156** AM39761 (single)
- **GN91-200** AM39739 (single)
- **GN100-200** AM39729 (single)
- **GN100-250** AM39729 (single)
- **GN100-270** AM39753 (single)
- **GN100-400** AM39733 (single)

### IGNITORS WITH BURNER BRACKET

- **GN37-200, GN75-125, GN76-200, GN82-156, GN91-200, GN100-200, GN65-360, GN72-250, GN100-250, GN100-270, GN100-400** AM39758 (single)

### BLOWER ASSEMBLY

- **GN75-125** SP20165A  
SP20165B

- **GN37-200, GN100-200** SP20165C
- **GN72-250, GN76-200, GN100-250** SP20165D
- **GN91-200, GN100-270** SP20165E
- **GN65-360** SP20165F
- **GN100-400** SP20165G
- **GN76-200H, GN91-200H, GN100-200H** SP20165H

### DAMPER ASSEMBLY

- **Due to the unique application of damper assemblies, please call for part numbers and pricing. Have the model number and serial number of the water heater on hand.**

### White-Rogers Relay

SP12732 (single)

### Baffle Assembly

AM39581 (single)

### Pilot Assembly

SP20058 (single)

### SMC South Blower Cage

AP12712 (single)

### QNI Wiring Harness

AP12594B-3 (single)

### Honeywell Ignition Cable

AP12761 (single)

### Gasket Blower Inlet

AP12468

### Blower Centrifugal

AP12526-3

### Gasket Bower Outlet

AP12592-1

### Cap-Rubber Hose-Barb

AP14636

### Instruction Sheet

AP14637

### Screw 8x3/8 SM Self Drill

AP5925ES-3

### PRESSURE SWIRT

- **GN75-125** AP14551A
- **GN37-200** AP14551C
- **GN72-250** AP14551D
- **GN91-200** AP14551E
- **GN65-360** AP14551F
- **GN100-400** AP14551G
- **GN76-200** AP14551H

### HONEYWELL GAS VALVES

- **GN37-200, GN65-360, GN72-250, GN75-125, GN76-200, GN82-156, GN91-200, GN100-200, GN100-250, GN100-270** SP12541B (single)
- **GN100-400** SP12543 (single)

### BURNER ASSEMBLIES

(Includes gas valve and blower assembly)

- **GN37-200** AM39755 (single)
- **GN65-360** AM39768 (single)
- **GN72-250** AM40021 (single)

# COMMERCIAL Preferred Parts®

The premium line of approved replacement parts.



## Commercial Gas – Light Duty, Standing Pilot

- **Robertshaw Natural Gas Thermostat** (180 degrees) control valve with 2 3/8" shank - single use high limit (200 degrees) - 75,000 BTU - 1/2" inlet & outlet  
SP12234B (single)
- **Robertshaw Natural Gas Thermostat** (180 degrees) control valve with 1 5/8" shank - single use high limit (200 degrees) - 75,000 BTU - 1/2" inlet & outlet  
SP12234C (single)
- **Robertshaw Natural Gas Thermostat** (180 degrees) control valve with 2 7/8" shank - single use high limit (200 degrees) - 75,000 BTU - 1/2" inlet & outlet  
SP12234E (single)
- **Natural Gas Pilot Burner Assembly** - .0115 orifice  
SP8384B (single)
- **LP Pilot Burner Assembly** .008 orifice (colored red for easy identification)  
SP8384D (single)
- **24" Thermocouple**  
SP6379R (single)

## Commercial Eclipse Water Heaters

- **Terminal Block 175 AMP**  
SP13407 (single)
- **Transformer 50 VA**  
SP13408 (single)
- **Vacuum Relief Valve**  
SP221790 (single)
- **Switch**  
SP13411 (single)
- **T&P Relief Valve**  
SP330040
- **Thermostat**  
SP13410

### ELEMENTS

- **3100W / 208V**  
SP13409AL (single)
- **4500W / 6000W 208V / 240V**  
SP13409BL (single)
- **6000W / 208V**  
SP13409CL (single)

- **3100W / 240V**  
SP13409DL (single)
- **4500W / 6000W 240V / 277V**  
SP13409EL (single)
- **3100W / 277V**  
SP13409FL (single)
- **4500W / 277V**  
SP13409GL (single)
- **3100W / 480V**  
SP13409HL (single)
- **4500W / 480V**  
SP13409JL (single)
- **6000W / 480V**  
SP13409KL (single)





## AdvantagePlus Commercial Water Heaters

Before 6/1/2009



110 Volt Ignitor Kit



- **Interconnecting Ribbon Cable to PC Board**  
SP12139 (single)
  - **Pressure Switch**  
SP12140 (single)
  - **Transformer with Ignition Cable**  
SP12141 (single)
  - **ECO/Temperature Probe**  
SP12142 (single)
  - **Ignitor**  
SP12143 (single)
  - **110V Ignitor Kit**  
SP12143K (single)
  - **Flame Rectification Probe**  
SP12144 (single)
  - **Gas Valve**  
SP12145 (single)
  - **Low Voltage Cable**  
SP12146 (single)
  - **Line Cable**  
SP12147 (single)
  - **Over Temperature Switch (Exhaust Outlet)**  
SP12149 (single)
  - **Glass Sight Window**  
SP12150 (single)
  - **Neutralizer Condensate**  
SP12151 (single)
  - **Gasket Burner Mounting Flange**  
SP12152 (single)
  - **Gasket Blower Outlet Flange**  
SP12153 (single)
  - **Gasket Air Inlet**  
SP12154 (single)
  - **Gasket Sight Window**  
SP12156 (single)
  - **Main Control PC Board, 160 deg., 130,000 BTU**  
SP12136 (single)
  - **Main Control PC Board, 160 deg., 160,000 BTU**  
SP12137 (single)
  - **Display PC Board**  
SP12138 (single)
  - **Main Control PC Board, 160 deg., 199,000 BTU**  
SP12186 (single)
  - **Booster Kit**  
ASBK-1200
  - **Exhaust Elbow**  
7000P-604
  - **Main Control PC Board, 160 deg., 100,000 BTU**  
SP12416 (single)
  - **Main Control PC Board, 180 deg., 160,000 BTU**  
SP12418 (single)
  - **Main Control PC Board, 180 deg., 199,000 BTU**  
SP12419 (single)
  - **Gasket Ignitor Collar**  
AP12654
  - **Burner – 100-130K BTU**  
SP14114
  - **Burner – 160-199K BTU**  
SP14115
  - **Low Water Cutoff**  
SP20124
  - **Combustion Blower**  
SP12189 (Single)
- ### ORIFICE KITS
- **130,000 BTU, LP**  
SP12389B
  - **160,000 BTU, LP**  
SP12389C
  - **199,000 BTU, LP**  
SP12389D
  - **130,000 BTU, NG**  
SP12190B
  - **160,000 BTU, NG**  
SP12190C
  - **199,000 BTU, NG**  
SP12190D
- ### ADVANTAGEPLUS ACCESSORIES
- **Concentric Vent Termination Kit 3"**  
Call for Application
  - **Aluminum Outside Termination Vent Kit**  
SP12162 (single)
  - **Mesh Screen 3-1/2" Size Stainless for 3" Pipe**  
SP12163 (single)
  - **Model 450 CO Meter**  
AP12516 (single)
  - **Condensate Hose**  
7000486

## AdvantagePlus Commercial Gas

After 6/1/2009



**PARTS DIAGRAM  
ON PAGE 70**

- **Gasket – Burner Mounting Flange**  
SP15138
- **Igniter w/ Gasket & Mounting Screws (NG)**  
SP15128
- **Igniter w/ Gasket & Mounting Screws (LP)**  
SP15134
- **Flame Sensor w/ Gasket & Mounting Screw**  
SP15129
- **Gasket – Burner Blower**  
SP15239
- **Burner w/ Gasket**  
SP15126 (130k btu or less)  
SP15127 (>130k btu)
- **Gasket – Burner Mounting Plate**  
SP15139
- **Gasket – Sight Glass**  
SP15152
- **Sight Glass w/ Gasket**  
SP15136
- **Combustion Blower w/ Gasket**  
SP15130
- **Air Intake Adapter – Blower Side**  
SP15158
- **Air Intake Adapter – Valve Side**  
SP15157
- **Swirl Plate**  
SP15155 (130k btu or less)  
SP15156 (>130k btu)
- **Condensate Neutralizer**  
SP12151
- **Mesh Screen for 3-Inch Pipe**  
SP12163
- **Gas Valve Assembly**  
SP15131 (130k btu or less)  
SP15132 (>130k btu)
- **Pressure Switch**  
SP12140
- **Over Temperature Switch – Outlet**  
SP12149
- **Tube – Air Inlet**  
SP15137
- **Main Control Board – 160°F**  
SP15133A (130k)  
SP15133B (160k)  
SP15133C (199k)  
SP15133D (100k)
- **Main Control Board – 180°F**  
SP15133A (160E)  
SP15133B (199F)
- **Control Board Display**  
SP15153
- **ECO/Temperature Probe**  
SP12142
- **Low Water Cutoff**  
SP15140
- **Low Voltage 24V Cable**  
SP15183
- **Line Cable – 120V**  
SP15184
- **Aluminum Vent Kit**  
SP12162 (Outsize Aluminum)
- **PVC Vent Kit**  
Call for Application
- **Model 450 CO Meter**  
AP12516



**PARTS DIAGRAM  
ON PAGE 75**

## XTREME Commercial Water Heaters

- **Thermostat and High Limit**  
AP12015-1 (single)
- **Pressure Switch** (GX90-500, GX90-550, GX90-600, GX90-680)  
SP14197B (single)  
SP14197C (GX90-640, GX90-715)
- **Gas Valve**  
SP12866P (single, LP)  
SP12866N (single, NG)
- **Pilot / Ignitor Assembly**  
SP12305 (single, LP)  
SP12237 (single, NG)
- **Relief Valve** (GX90-715, GX90-680)  
AP12323-1 (single)
- **Relief Valve** (GX90-640, GX90-600, GX90-550)  
AP12035 (single)
- **Relief Valve** (GX90-500)  
SP9012B (single)
- **Full Flow Drain Valve**  
SP12231B (single)
- **Damper Assembly**  
AP13156
- **Blower Motor**  
SP12525 (single)
- **Gasket Plenum**  
AP12382-1 (single)
- **Gasket Set/Fan**  
AP12383 (single)



**PARTS DIAGRAM  
ON PAGE 72**

## VentMaster Commercial Water Heaters

- **Anode Rod** - 42" long x .840 dia  
SP11345S
- **Thermostat and High Limit**  
SP11789B
- **Blower** (GP100-150, GP100-200)  
AP13192
- **Blower** (GP100-250)  
AP13186-1 (4" Outlet)
- **Relief Valve** (GP100-200, GP100-150)  
SP9013D
- **Pilot Ignitor Assembly**  
SP13185
- **Gas Valve**  
SP13714
- **System Sentinel Panel**  
AM38875
- **Control Module**  
AS40782-1
- **Relay**  
SP12732
- **On/Off Switch**  
SP8825
- **Transformer**  
SP10550B
- **Full Flow Drain Valve**  
SP12231B
- **Ignition Control**  
SP10763C

## Common Replacement Parts



**Light Duty Brass Drain Valve:**



**R-Tech Resistor  
Magnesium Flexible  
Link Anode Rod:**

### DRAIN VALVES

- **Brass Drain Valve** - 3/4" x 2 1/4" shank  
SP6070G (single)
- **Brass Drain Valve** - 3/4" x 3" shank -  
Commercial Light Duty  
SP12112S (single)
- **Standard Melet** - 3/4" NPT x 2 1/4" shank  
SP12039 (single)
- **Brass Drain Valve** - 3/4" x 2 1/4" shank  
SP12112G (single)
- **Brass Full Flow Drain Valve 3.1"** (gas)  
SP12231B (single)
- **Brass Full Flow Drain Valve 3.1"** (electric)  
AP12231C-1 (single)

### ANODE RODS

- **R Tech Resistor Magnesium Anode Rod** -  
44" long x .700 dia  
SP11309C (single)
- **Galvo Magnesium** - 44" long x .840 dia  
SP11345C (single)
- **Magnesium Anode Rod** - 44" long x .840 dia  
SP11524C (single)
- **Magnesium Anode Rod** - 58" long x .840 dia  
SP11524Z (single)
- **R Tech Resistor Magnesium Anode Rod** -  
44" long x .900 dia  
SP11526C (single)
- **R Tech Resistor Magnesium Flexible Link  
Anode Rod** - 52" long - 12" sections  
SP8371B (single)

### DIP TUBES

- **Dip Tube with anti-siphon hole** - 3/4" x 54" long  
- clear (North Carolina code) with gasket  
SP11251R (single)
- **Dip Tube with anti-siphon hole** - 1" x 26" long  
with gasket  
SP11269C (single)
- **Dip Tube with anti-siphon hole** - 3/4" x 54" long  
with gasket  
SP11248R (single)

### GASKETS

- **Hand Hole Gasket**  
SP5886 (single)

# RESIDENTIAL *Universal™ Parts*

The value line for all your replacement parts needs.



**Note: Elements listed not recommended with Rheem, Ruud, and GE products. Use of this component may lead to premature failure of the product and voiding of manufacturers warranties.**

HWD = High Watt Density  
MWD = Medium Watt Density  
LWD = Low Watt Density

## Non-Resistored Heating Elements

### COPPER SCREW-IN ELEMENTS

- **120V/1500W**, 7-5/8", HWD  
UV12890 (Single)
- **120V/2000W**, 7-5/8", HWD  
UV12892 (Single)
- **240V/1500W**, 7-5/8", HWD  
UV12891 (Single)
- **240V/2000W**, 7-5/8", HWD  
UV12893 (Single)
- **240V/2500W**, 9-3/8", HWD  
UV12894 (Single)
- **240V/3000W**, 10-9/16", HWD  
UV12895 (Single)
- **240V/3500W**, 12-9/16", HWD  
UV12896 (Single)
- **240V/3800W**, 13-7/16", HWD  
UV12897 (Single)
- **240V/4000W**, 13-9/16", HWD  
UV12898 (Single)
- **240V/4500W**, 13-9/16", HWD  
UV12899 (Single)
- **240V/4500W**, 10", MWD  
UV13049 (Single)
- **240V/5500W**, 10-1/8", LWD  
UV12900 (Single)
- **240V/4500W**, 11-3/4", LWD  
UV12901 (Single)

### COPPER 1-3/8" SCREW-IN ELEMENTS

- **240V/4500W**, 11-9/16", LWD  
UV12902 (Single)

### COPPER FLANGE ELEMENTS

- **120V/1500W**, 7-5/8", HWD  
UV12944 (Single)
- **240V/1500W**, 7-5/8", HWD  
UV12908 (Single)
- **240V/2500W**, 10", HWD  
UV13047D (Single)
- **240V/3500W**, 12-9/16", HWD  
UV12909 (Single)

- **240V/4500W**, 13-9/16", HWD  
UV12910 (Single)

- **240V/3000W**, 10", HWD  
UV13047A (Single)

- **240V/5500W**, 12", HWD  
UV13047B (Single)

- **240V/4500W**, 9", MWD  
UV13047C (Single)

### COPPER FLAT FLANGE ELEMENTS

- **240V/4500W**, 13-9/16", HWD  
UV12907 (Single)
- **240V/4500W**, 14", LWD  
UV13051 (Single)

### SLIP-IN ELEMENTS

- **240V/3000W**, HWD  
UV13066A (Single)
- **240V/3500W**, HWD  
UV13066B (Single)
- **240V/4500W**, HWD  
UV13066C (Single)

### STAINLESS STEEL SCREW-IN ELEMENTS

- **240V/3500W**, 13-7/8", LWD  
UV12903 (Single)
- **240V/4500W**, 13-1/2", LWD  
UV12904 (Single)
- **240V/5500W**, 13-1/2", LWD  
UV12905 (Single)
- **120V/1500W**, 12", HWD  
UV13050B (Single)
- **240V/2500W**, 11", HWD  
UV13050A (Single)

### STAINLESS STEEL FLANGE ELEMENT

- **240V/2500W**, 11", LWD  
UV12911 (Single)
- **240V/4500W**, 14", HWD  
UV13048 (Single)

# RESIDENTIAL *Universal™* Parts

The value line for all your replacement parts needs.



**Universal Gasket Kit**

## Element Accessories

- **Gasket Kit** - (1) screw-in gasket, (1) flange, (1) 4-hole gasket, (4) 1/4" - 20 x 3/4" hex slot UV12914 (Single)
- **Universal Adapter Kit** - (1) flat gasket, (1) round gasket, (1) element adapter UV6830 (Single)
- **4" Heavy Duty Element Wrench** UV38628 (Single)



**Heavy duty element wrench**

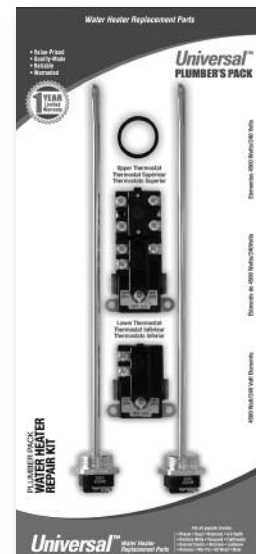
## Universal Parts Plumber's Pack

*The plumber's pack is an all-inclusive "tune-up" kit for electric water heaters featuring the most popular replacement parts on the market.*

- Two non-resistored heating elements and gaskets
- Upper and lower thermostats
- Economy package that includes all the major components for a complete "tune-up" for the water heater

**Plumber's Pack Kit** - includes two non-resistored 4500 watt screw-in heating elements, two heating element gaskets, and upper & lower thermostats

UV20018 (single)





# RESIDENTIAL *Universal™ Parts*

The value line for all your replacement parts needs.



**Thermocouple Kit**



**Thermostat Bracket**

## Electric Thermostats\*

- **APCOM Upper Thermostat**  
(max 150 degrees) & High Limit (170 degree)  
- Two element non-simultaneous 208, 240, 277, 480 volt  
UV13359 (single)
- **Therm-O-Disc Upper Thermostat**  
(max 150 degrees) & High Limit (170 degree)  
- Two element simultaneous 208, 240, 277, 480 volt  
UV11699 (single)
- **Therm-O-Disc Upper Thermostat**  
(max 150 degrees) & High Limit (170 degree)  
- Single element 120 volt  
UV11700 (single)
- **APCOM Lower Thermostat**  
(max 150 degrees) simultaneous and non-simultaneous 208, 240, 277, 480 volt  
UV13360 (single)
- **Therm-O-Disc Lower Thermostat**  
(max 150 degrees) & High Limit (170 degree)  
- Two element non-simultaneous 208, 240, 277, 480 volt  
UV11695 (single)
- **Therm-O-Disc Upper Thermostat**  
(max 150 degrees) simultaneous and non-simultaneous 208, 240, 277, 480 volt  
UV11698 (single)

## Gas Replacement Parts

- **18" Thermocouple Kit**  
UV6379L (Single)
- **24" Thermocouple Kit**  
UV6379R (Single)
- **30" Thermocouple Kit**  
UV6379H (Single)
- **36" Thermocouple Kit**  
UV6379S (Single)

## Common Replacement Parts

- **Flared Dip Tube**  
SP11248R
- **Threaded Dip Tube**  
AP12933
- **Screw-In Thermostat Bracket**  
AS23557-6
- **Heat Traps** (flapper type)  
UV12992 (Single: 2/pkg.)
- **Watts 100XL-4;** 3/4" inlet x 3/4" discharge - M150# (150 PSI pressure / 210 degree temperature) up to 100,000 BTU  
SP12574 (single)
- **Watts 100XL;** 3/4" inlet x 3/4" discharge (150 PSI pressure / 210 degree temperature) - long shank up to 100,000 BTU  
SP8346 (single)
- **Drain Valve; Standard Melet**  
3/4" NPT x 2 1/4" shank  
UV12039 (single)

\* Electric thermostats may be ordered in bulk. Box consists of 50 thermostats of the same part number. Bulk pricing is less than the single price. Please call for pricing.

# RESIDENTIAL *Universal™ Parts*

The value line for all your replacement parts needs.



**Drain Pan with Fittings:**

- Available in plastic or aluminum in a variety of sizes.

## Accessories

### WATER CONNECTORS

- **12" Flexible Copper Water Connector 3/4"**  
UV10351 (Single: 2/Pkg.)
- **15" Flexible Copper Water Connector 3/4"**  
UV10505 (Single: 2/Pkg.)
- **18" Flexible Copper Water Connector 3/4"**  
UV10506 (Single: 2/Pkg.)
- **24" Flexible Copper Water Connector 3/4"**  
AP13006
- **18" Flexible Copper Water Connector 3/4" FIP x 3/4" Sweat**  
AP13012
- **24" Flexible Copper Water Connector 3/4" FIP x 3/4" Sweat**  
AP13015
- **Stainless Steel 3/4" Water Connector 12"**  
UV12927 (Single: 2/Pkg.)
- **Stainless Steel 3/4" Water Connector 15"**  
UV12928 (Single: 2/Pkg.)
- **Stainless Steel 3/4" Water Connector 18"**  
UV12929 (Single: 2/Pkg.)

### GAS CONNECTORS

- **12" Stainless Steel Gas Connector 1/2" FIP x 1/2" MIP**  
SP10349
- **18" Stainless Steel Gas Connector 1/2" FIP x 1/2" MIP**  
SP10350
- **24" Stainless Steel Gas Connector 1/2" FIP x 1/2" MIP**  
AP13014
- **48" Stainless Steel Gas Connector 1/2" FIP x 1/2" MIP**  
AP13013

### INSTALLATION KITS

- **15" Water Connector Kit 3/4"\***  
UV20010 (Single: 2/Pkg.)
- **15" Gas Connector Kit 3/4"\***  
UV20016 (Single: 2/Pkg.)
- **15" Electric Connector Kit 3/4"\***  
UV20013 (Single: 2/Pkg.)
- **18" Water Connector Kit 3/4"\***  
UV20011 (Single: 2/Pkg.)
- **18" Gas Connector Kit 3/4"\***  
UV20017 (Single: 2/Pkg.)

- **18" Electric Connector Kit 3/4"\***  
UV20014 (Single: 2/Pkg.)
- **12" Water Connector Kit 3/4"\***  
UV20009 (Single: 2/Pkg.)
- **12" Gas Connector Kit 3/4"\***  
UV20015 (Single: 2/Pkg.)
- **12" Electric Connector Kit 3/4"\***  
UV20012 (Single: 2/Pkg.)

### FITTINGS

- **3/4" Compression Fitting x 3/4" MPT**  
UV10374 (Single: 2/Pkg.)
- **1/2" Compression Fitting x 3/4" MPT**  
UV10354 (Single: 2/Pkg.)
- **Nipples 3/4" x 2-1/4" PP Lined**  
UV8397G (Single: 2/Pkg.)
- **Nipples 3/4" x 3" PP Lined**  
AP8397N-8
- **Dielectric Union**  
AP13045 (Single)

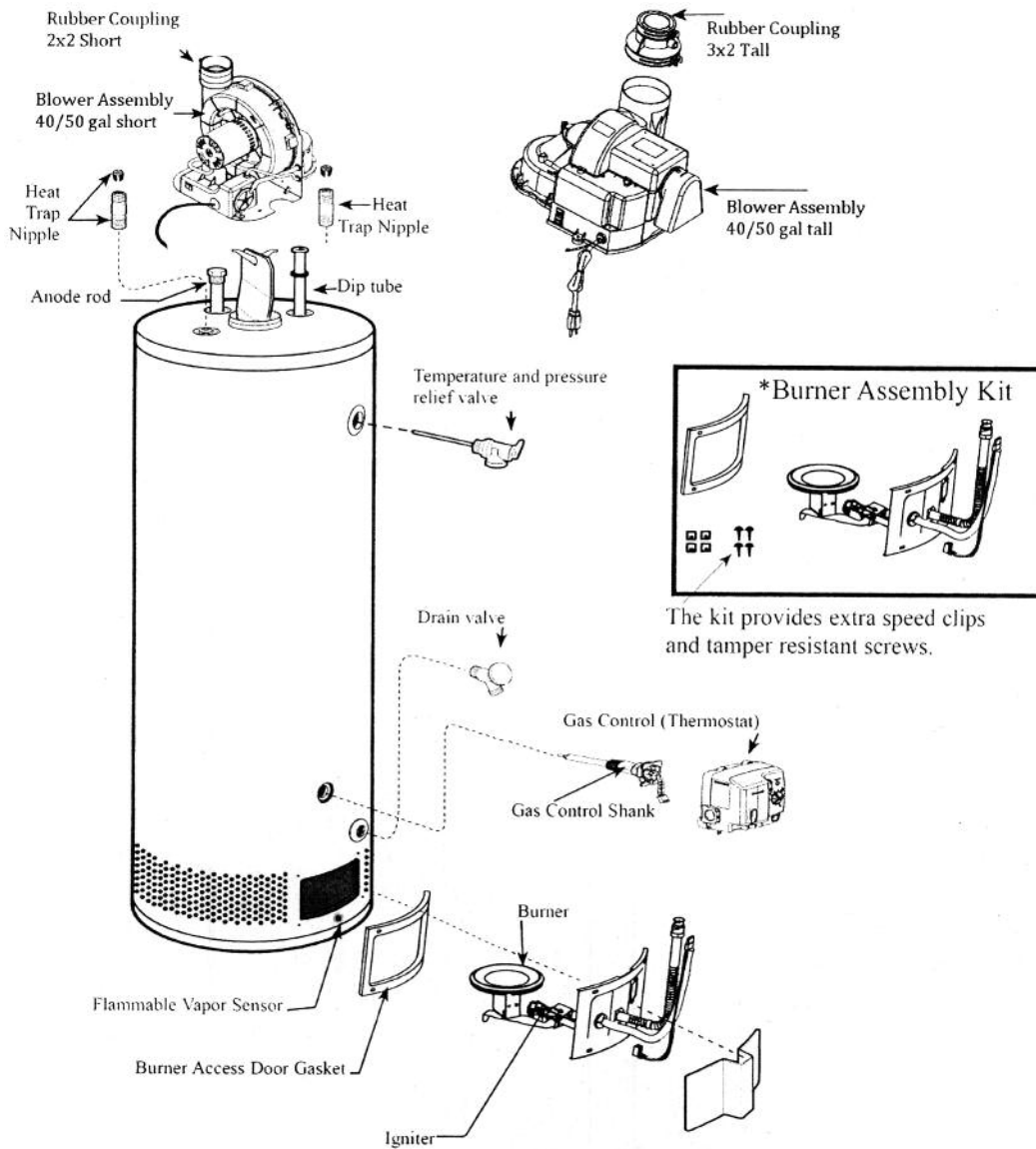
### OTHER ACCESSORIES

- **Center Top Run-Off Tube**  
SP11956B (Bulk: 12)
- **20" Plastic Drain Pan with Fittings (Electric)**  
SP12934 (Bulk: 20)
- **22" Plastic Drain Pan with Fittings (Electric)**  
SP12937 (Bulk: 20)
- **24" Plastic Drain Pan with Fittings (Electric)**  
SP12935 (Bulk: 20)
- **26" Plastic Drain Pan with Fittings (Electric)**  
SP12936 (Bulk: 10)
- **30" Plastic Drain Pan with Fittings**  
SP13319 (Bulk: 5)
- **20" Aluminum Drain Pan with Fittings**  
SP12939 (Bulk: 10)
- **22" Aluminum Drain Pan with Fittings**  
SP12941 (Bulk: 10)
- **24" Aluminum Drain Pan with Fittings**  
SP12942 (Bulk: 10)
- **26" Aluminum Drain Pan with Fittings**  
SP12940 (Bulk: 10)
- **30" Aluminum Drain Pan with Fittings**  
SP13325 (Bulk: 5)
- **Gas Control Extender**  
SP11620

\* Gas connector kits contain (2) 3/4" nipples, (2) 3/4" x 12", 15", 18" flex water connectors, (1) teflon tape, (2) 3/4" comp. fittings, (1) 18" flex. gas connector.  
Electric connector kits contain (2) 3/4" x 2" nipples, (2) 3/4" x 12", 15", 18" flex water connectors, (1) teflon tape, (2) 3/4" MPT comp. fittings.  
Water connector kits contain (2) 3/4" x 2" nipples, (2) 3/4" x 12", 15", 18" flex water connectors, (1) teflon tape.

# Residential Gas (Energy Star II) Replacement Parts

*For ESII Fury Dampered products and Ultra Low NOx  
Manufactured after 1 February 2011*



Ref. No.	Part Description	Part Number	Qty.
1.	Honeywell Thermostat (Gas Valve) Natural (all except 43V05-50E2 & ULN)	SP20296	1
	Honeywell Thermostat (Gas Valve) Natural (43V50-50E2-50 only)	SP20297	1
	Honyewell Thermostat (Gas Valve) Natural (ULN only)	SP20298	1
	Honeywell Thermostat (Gas Valve) LP (all models)	SP20302	1

# Residential Gas (Energy Star II) Replacement Parts

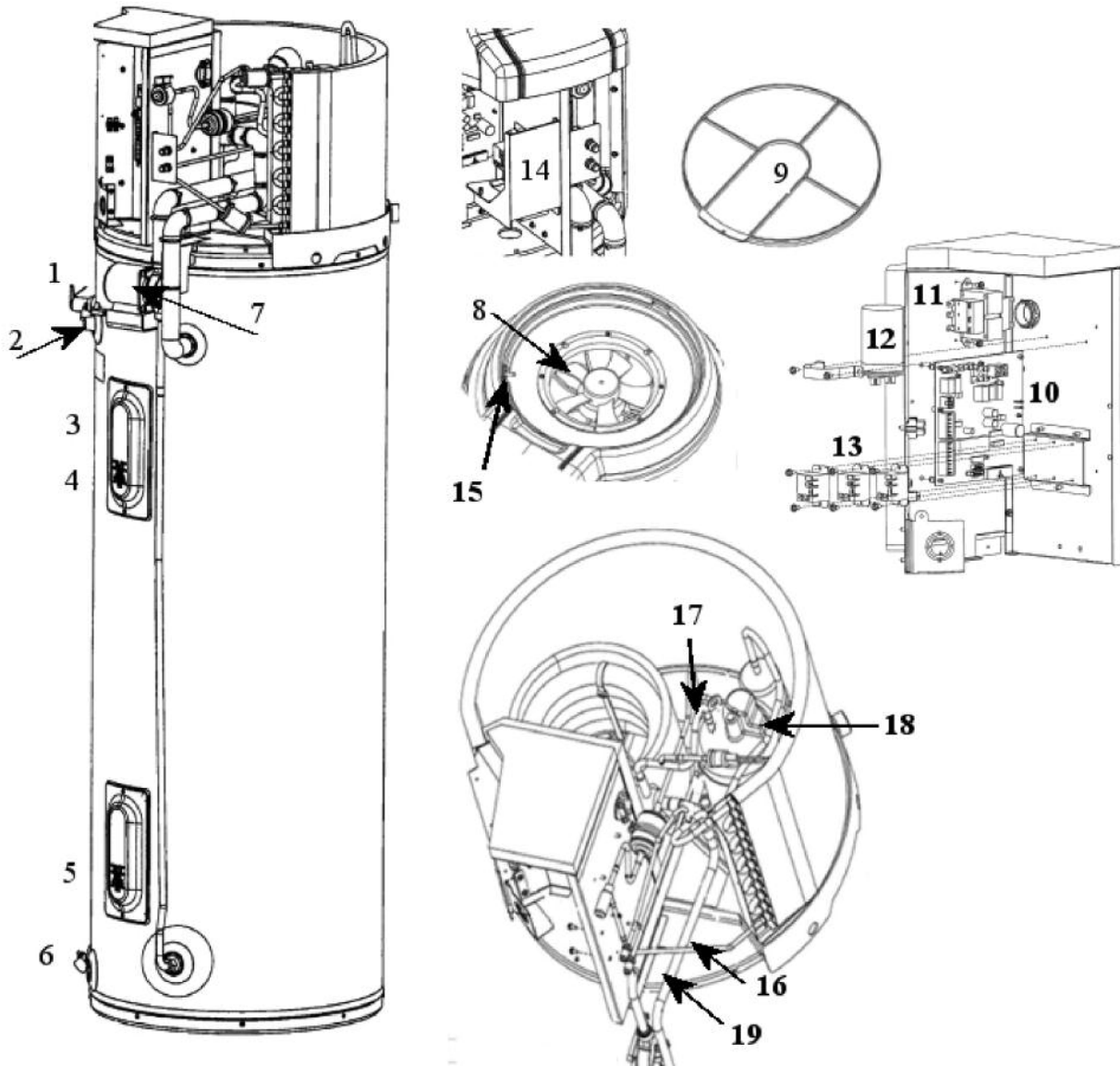
*For ESII Fury Dampered products and Ultra Low NOx  
Manufactured after 1 Feburary 2011*

Ref. No.	Part Description	Part Number	Qty.
2.	Gas Valve Thermal Well (all models except ULN)	AP14696B	1
	Gas Valve Thermal Well (ULN only)	AP15324	1
3.*	Flue Damper (Assembly 3 inch (w/ gasket & screws) (all except 43V50-50E2 only)	SP20294	1
	Flue Damper Assembly 4 inch (w/ gasket & screws) 43V50-50E2 only)	SP20295	1
4.	Damper Housing Only (3 inch)	AM42968H	1
5.	Damper Housing Only (4 inch)	AM42969H	1
	Pilot / Ignitor Assembly Kit - natural (all models)	AP14698G	1
	Pilot / Ignitor Assembly Kit - LP (all models)	AP14700D	1
	Pilot / Ignitor Assembly Kit - (40 gallon ULN Only)	AP16006A	1
	Pilot / Ignitor Assembly Kit - (50 gallon ULN Only)	AP16006B	1
6.	Transformer Assembly w/strain relief	SP20293	1
7.	Wiring Harness-24V (not shown)	AP15849	1
8.	Inner Burner Door Gasket Kit	SP20063	1
9.	T&P Relief Valve	SP12575B	1
10.	Drain Valve	SP12112G	1
11.	Anode Rod	SP11309C	1
12.	Draft Hood 3" to 4"	AM41646	1
13.	Heat Trap Nipples - flapper type	SP20003	2
14.	Flammable Vapor Sensor w/harness	AP13447-3	1
15.	Dip Tube	Call for Application	1
16.	Flue Baffle	Call for Application	1
17.	Burner Assembly	Call for Application	1

\*= Flue Damper Assembly does not come with the draft diverter or the metal housing. It does come with screws and gaskets.

# Residential Replacement Parts List

## HEAT PUMP WATER HEATER



Ref. No.	Part Description	Part Number	Qty. Req.
1.	T&P Relief Valve	SP12577G	1
2.	Hot Outlet J-Tube	SP8878N	1
3.	ECO & Upper Tank Sensor	SP15100	1
4.	Heating Element SS 2.5 KW (upper & lower)	SP10869HL	2
5.	Lower Tank Sensor	SP15228	1
6.	Brass Drain Valve	SP12112S	1
7.	Water Pump	38-103141-04	1
8.	Fan	70-103140-01	1
9.	Fan Filter	54-103049-01	1
10.	Circuit Board	47-103171-01	1
11.	Transformer	46-101905-02	1
12.	Capacitor	43-25136-10	1
13.	Relay	42-101208-03	3

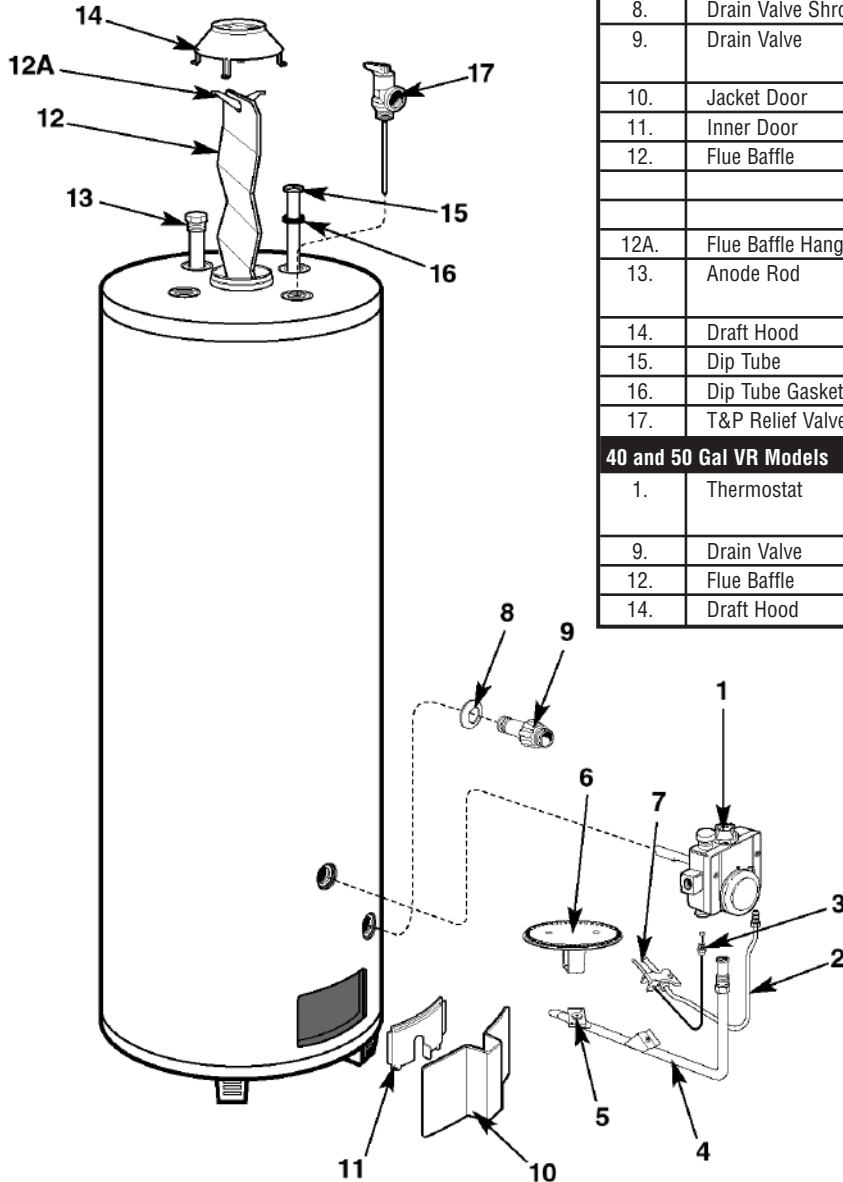
Ref. No.	Part Description	Part Number	Qty. Req.
14.	Membrane Switch (user control)	--	--
	Membrane Switch (user control) - Rheem	47-103216-01	1
	Membrane Switch (user control) - Ruud	47-103216-02	1
	Membrane Switch (user control) - Richmond	47-103216-03	1
	Membrane Switch (user control) - EcoSense	47-103216-04	1
15.	Ambient Thermistor (not shown)	47-103122-01	1
16.	Evaporator Thermistor (not shown)	47-103122-02	1
17.	Discharge Thermistor (not shown)	47-103122-03	1
18.	Suction Thermistor (not shown)	47-103122-04	1
19.	Water Out Thermistor (not shown)	47-103122-05	1

# Residential Replacement Parts List

*All standing pilot models except direct vent and PowerVent*  
**NATURAL OR LP GAS (NON-FVIR)**

**Units manufactured prior to July, 2003**

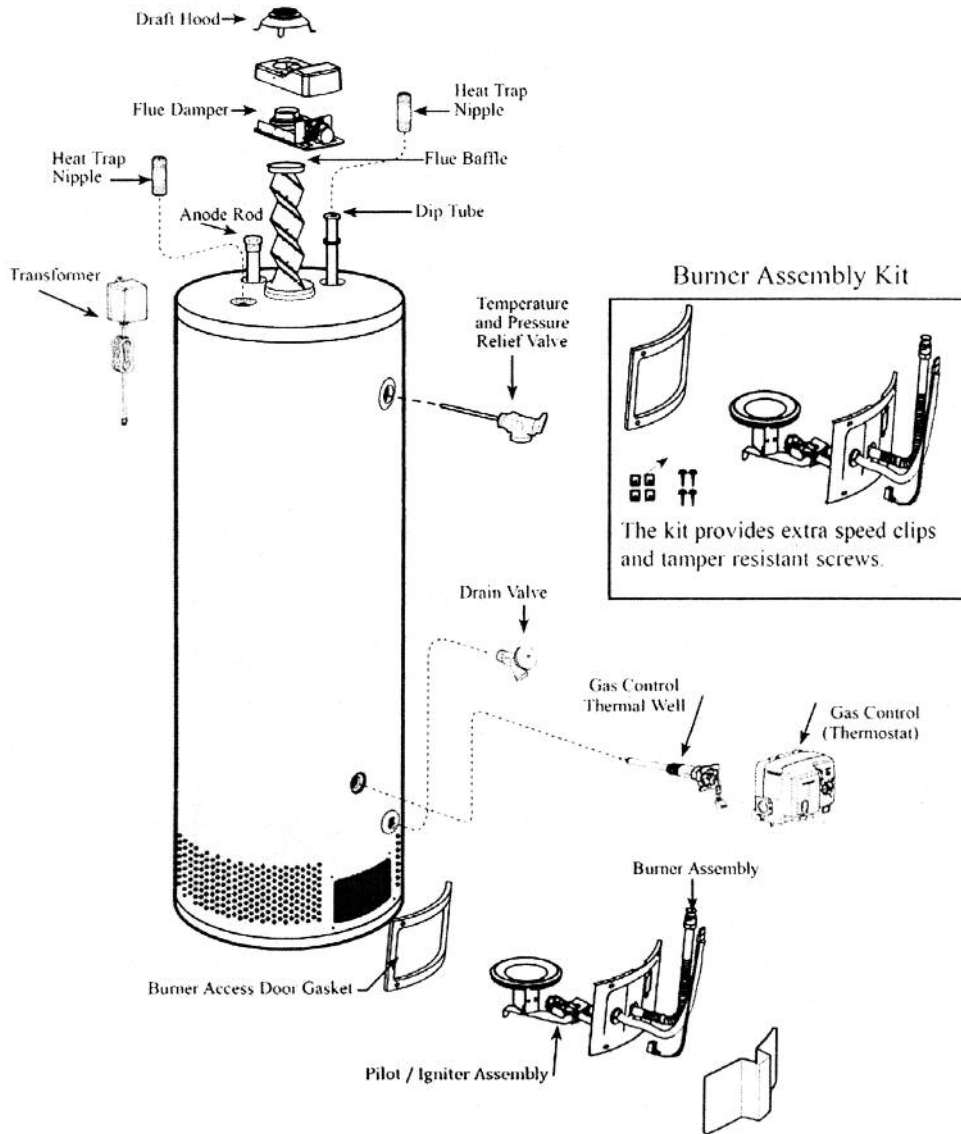
Ref. No.	Part Description	Qty. Req.	Part Number	
1.	Thermostat	1	(NAT) SP20164 (LP) SP12258B	
2.	Pilot Supply Tube	1	N/A	
3.	Thermocouple	1	SP6379K	
4.	Burner Supply Tube	1 Burner Assembly	(30 Gal NAT) AM35050CNN (30 Gal LP) AM36336IJ (40 Gal NAT) AM35050DT (40 Gal LP) AM36336DZZ (50 Gal NAT) AM35050EFF (50 Gal LP) AM36336EZZ	
5.	Burner Orifice			
6.	Burner			
7.	Pilot Burner		1	SP8980B (NG) SP8980C (LP)
7A.	Pilot Burner			
8.	Drain Valve Shroud	1	AP9167	
9.	Drain Valve	1	SP12039 SP12112E (brass)	
10.	Jacket Door	1	AM29254-4C	
11.	Inner Door	1	AM29501	
12.	Flue Baffle	1	(30 Gal) AM25812-1 (40 Gal) AM25812-1 (50 Gal) AM25816	
12A.	Flue Baffle Hanger	1	AM20622C	
13.	Anode Rod	1	(5 Year) SP11309C (10 Year) SP11526C	
14.	Draft Hood	1	AM36352H	
15.	Dip Tube	1	SP11248Q	
16.	Dip Tube Gasket	1	AP6948-1	
17.	T&P Relief Valve	1	SP12574	
<b>40 and 50 Gal VR Models</b>				
1.	Thermostat	1	(NAT) SP20264 (LP) SP12258P	
9.	Drain Valve	1	SP12112S	
12.	Flue Baffle	1	AM38876	
14.	Draft Hood	1	AM36333H	





# PowerVent (FVIR compliant) for Energy Star II

*Effective September 2010  
40/50 gallon models (43PV); Natural or LP*



Ref. No.	Part Description	Qty.	40 Gal Tall	40 Gal Short	50 Gal Tall	50 Gal Short
1.	Blower Assembly w/pressure switch; w/ gasket; w/ screws	1	AP15109	AP15534	AP15109	AP15534

# PowerVent (FVIR compliant) for Energy Star II

*Effective September 2010  
40/50 gallon models (43VP); Natural or LP*

Ref. No.	Part Description	Qty.	40 Gal Tall	40 Gal Short	50 Gal Tall	50 Gal Short
1a.	Blower Gasket Kit (not Shown)	1	SP20289	SP20122	SP20289	SP20122
1b.	Hose - Pressure Switch (not Shown)	1	SP20288	SP20120	SP20288	SP20120
1c.	Blower Over-temperature Switch - 180 (not shown)	1	SP20287	SP20119	SP20287	SP20119
1d.	Blower Rubber Coupling; tall = 3x2; short = 2x2	1	SP20290	SP12638	SP20290	SP12638
1e.	Pressure Switch	1	SP20292	SP20291	SP20292	SP20291
2.	Anode Rod - cut to length	1	SP11309C	SP11309C	SP11309C	SP11309C
3.	Heat Trap Nipples - flapper	2	SP20003	SP20003	SP20003	SP20003
4.	Dip Tube with Gasket	1	AP11625R	AP11625R	AP11625R	AP11625R
5.	T&P Relief Valve	1	AP14835G	AP14835G	AP14835G	AP14835G
6.	Drain Valve	1	SP12112G	SP12112G	SP12112G	SP12112G
7.	Electronic Gas Control	-----	-----	-----	-----	-----
	Honeywell Natural	1	AP14671	AP14671	AP14671	AP14671
	Honeywell LP (propane)	1	AP14672	AP14672	AP14672	AP14672
8.	Gas Control Shank	1	AP14696B	AP14696B	AP14696B	AP14696B
9.	Spark Ignitor Assembly Kit (ignitor, gasket, etc.) NAT	1	AP14698D	AP14698D	AP14698D	AP14698D
10.	Spark ignitor Assembly Kit (ignitor, gasket, etc.) LP	1	AP14700D	AP14700D	AP14700D	AP14700D
11.	Inner Door Gasket Kit (gasket, screws)	1	SP20063	SP20063	SP20063	SP20063
12.	Flammable Vapor Sensor w/ harness	1	AP13447-3	AP13447-3	AP13447-3	AP13447-3
13.	Burner Assemble	1	Call for Application			
14.	Flue Baffle with hanger	1	Call for Application			

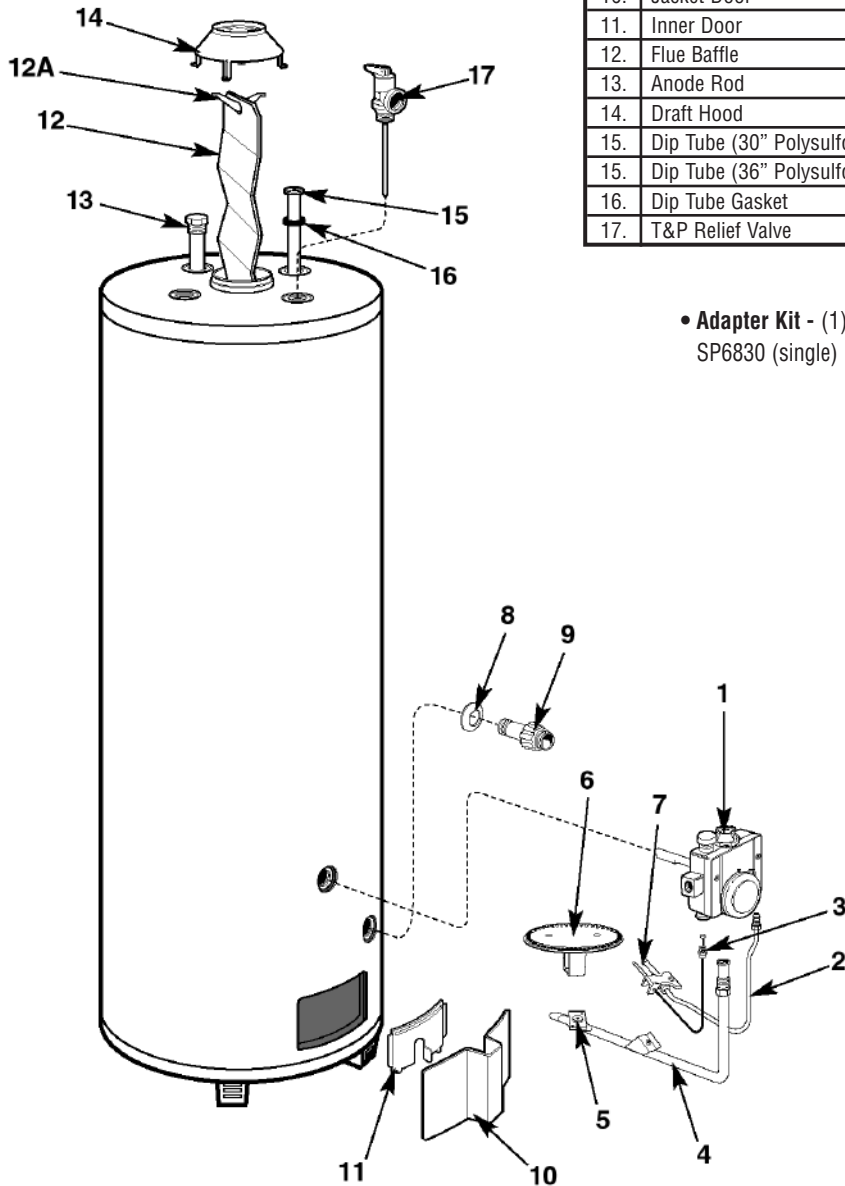
## *For the PowerVent with Electronic Display only (43VP40/50-E)*

15.	Electronic Display	1	Call for Application			
-----	--------------------	---	----------------------	--	--	--

# Residential Replacement Parts List

## 60-50 GALLON NATURAL OR LP GAS (NON-FVIR)

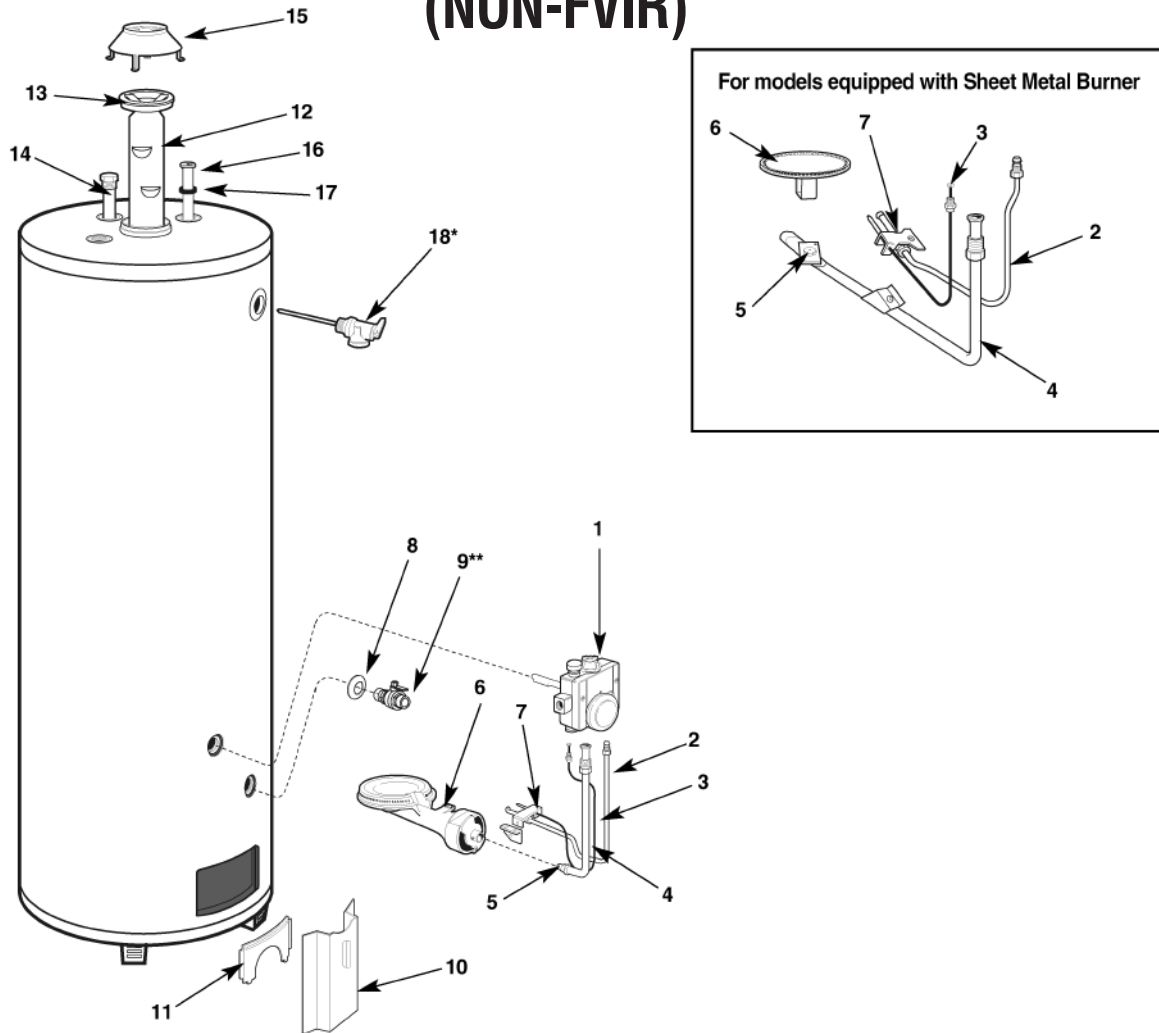
Ref. No.	Part Description	Qty. Req.	Part Number	
1.	Thermostat	1	(NAT) SP20085K	
2.	Pilot Supply Tube	1	N/A	
3.	Thermocouple	1	SP6379K	
4.	Burner Supply Tube	1 Burner Assembly	N/A	
5.	Burner Orifice		N/A	
6.	Burner Assembly NAT (#30 orifice)		SP20084A	
6A.	Assembly Low NOx (#30 orifice)		SP20084D	
6B.	Burner Assembly LP (#46 orifice)		SP20084E	
6C.	Assy LP High Altitude (#47 orifice)		SP20084F	
7.	Pilot Burner		N/A	
8.	Drain Valve Shroud	1	AP9167	
9.	Drain Valve	1	SP12112G	
10.	Jacket Door	1	SP20084K	
11.	Inner Door	1	SP20084H	
12.	Flue Baffle	1	SP20084G	
13.	Anode Rod	1	AP11526S	
14.	Draft Hood	1	SP20084J	
15.	Dip Tube (30" Polysulfone)	1	AP11251G	
15.	Dip Tube (36" Polysulfone)	1	AP11625Q	
16.	Dip Tube Gasket	1	AP6948-3	
17.	T&P Relief Valve	1	SP12574	



• **Adapter Kit** - (1) flat gasket, (1) round gasket, (1) element adapter SP6830 (single)

# Residential Replacement Parts List

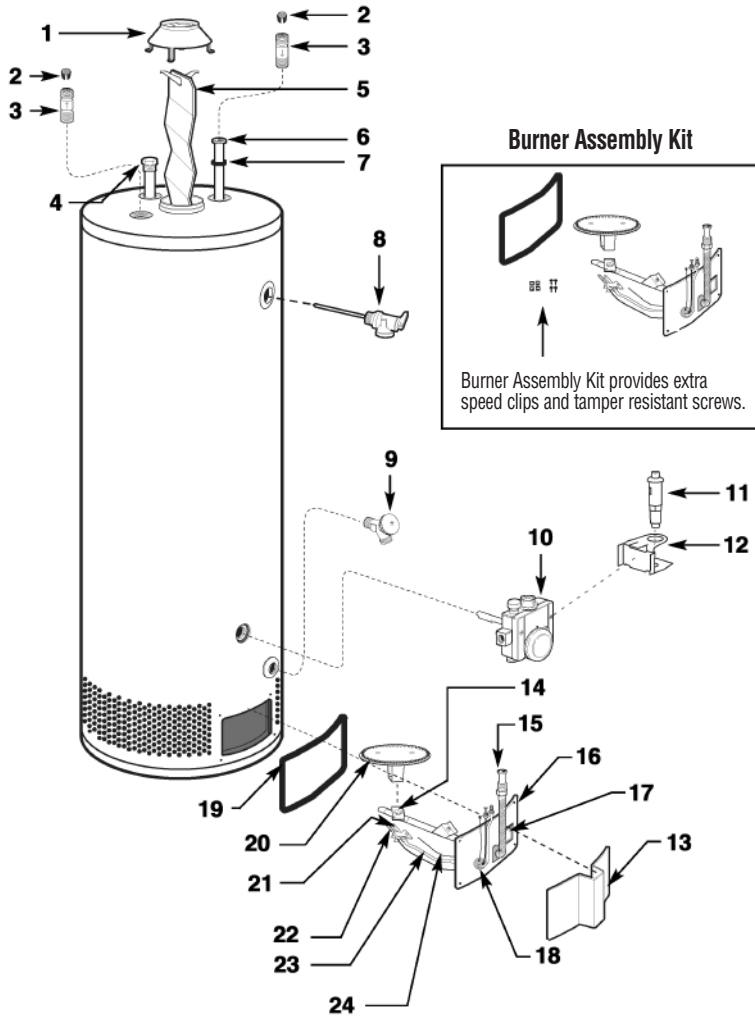
## 50-6, 75 & 100 GALLON MODELS: NATURAL OR LP GAS (NON-FVIR)



Ref. No.	Part Description	Qty. Req.	Part Number		
			50-6	75VR	100 Gal
1.	Thermostat	1	(NAT) SP10022P	(NAT) SP12491D	(NAT) SP10022F
			(LP) SP12258P	(LP) SP12258N	(LP) SP12258F
2.	Pilot Supply Tube	1	N/A	N/A	N/A
3.	Thermocouple	1	SP6379K	SP6379C	SP6379K
4.	Burner Supply Tube	1 Burner Assembly	(NAT) AM29602STT	AM39178BC	(NAT) AM29602FRR
5.	Burner Orifice		(LP) AM36419SN	(LP) AM36419RKK	(LP) AM36419FKK
6.	Burner	1	(NAT) SP8384B	(NAT) SP8980B	(NAT) SP8384B
7.	Pilot Burner		(LP) SP8384D	(LP) SP8384D	(LP) SP8384D
8.	Drain Valve Shroud	1	AP9167	AP9167	AP9167
9.	Drain Valve	1	SP12112S	SP12112S	SP12112E
10.	Jacket Door	1	AM21658C	AM21658C	AM21658C
11.	Inner Door	1	AM27902-2	AM27902-2	AM27902-2
12.	Flue Baffle	1	AM26055	AM26053	AM26054
12A.	Flue Baffle Hanger	1	N/A	N/A	N/A
13.	Flue Baffle Collar	1	AM25187	AM25187	AM25187
14.	Anode Rod	1	SP11309C	AP11525C	AP11525BD
15.	Draft Hood	1	AM25206	AM25206	AM25206
16.	Dip Tube	1	SP11269C	AP11273G	SP11269C
17.	Dip Tube Gasket	1	AP9060-1	AP9060-1	AP9060-1
18.	T&P Relief Valve	1	AP12575B-1	SP12575B	AP12576B-1

# Residential Replacement Parts List

## 30, 40 AND 50 GALLON FVIR MODELS (Flammable Vapor Ignition Resistant System) NATURAL OR LP GAS



To place orders call  
**1-800-621-5622**

All parts orders should include:

1. The model and serial number of the water heater from the rating plate.
2. Specify type of gas (natural or LP) as marked on the rating plate.
3. Part description (as noted below) and number of parts desired.

Ref. No.	Part Description	Qty. Req.
1.	Draft Hood	1
2.	Heat Traps	1
3.	Lined Nipples	1
4.	Anode Rod	1
5.	Flue Baffle & Hanger	1
6.	Dip Tube	1
7.	Dip Tube Gasket	1
8.	T&P Relief Valve	1
9.	Drain Valve	1
10.	Gas Control (thermostat)	1
11.	Piezo Ignition Ignitor	1
12.	Mounting Bracket	1
13.	Jacket Door	1
14.	Burner Orifice	1 Burner Assembly
15.	Burner Supply Tube	
16.	Burner Access Door	
17.	Sight Glass	
18.	Burner Access Door Grommet	
19.	Burner Access Door Gasket	
20.	Burner	
21.	Pilot Burner and Piezo Electrode	
22.	Thermocouple	
23.	Pilot Supply Tube	
24.	Piezo Ignitor Wire	

### Units manufactured between July, 2003 – December, 2003

Ref. No.	Part Description	Qty. Req.	Part Number		
			30 gallon models	40 gallon models	50 gallon models
1.	Draft Hood	1	AM36352-H	AM36352-H	AM36352-H
2.	Heat Traps	1	SP20003	N/A	N/A
3.	Lined Nipples	1	N/A	SP11623B (VR models only)	SP11623B (VR models only)
4.	Anode Rod	1	SP11309C	SP11309C	SP11309C
5.	Flue Baffle & Hanger	1	Call for Application	Call for Application	Call for Application
6.	Dip Tube	1	AP11625G-1	AP11625F-1	AP11625P
7.	Dip Tube Gasket	1	AP6948-3	AP6948-3	AP6948-3
8.	T&P Relief Valve	1	SP12574	SP12574	SP12574
9.	Drain Valve	1	SP12112E	SP12112E	SP12159B
10.	Gas Control (thermostat)	1	SP20164	SP12258B (LP)	SP12258B (LP)
11.	Piezo Ignition Ignitor	1	AP11941	AP11941	AP11941
12.	Mounting Bracket	1	AP12384	AP12384	AP12384
13.	Jacket Door	1	AS39789-2C	AS39789-2C	AS39789-2C
	Burner Kit	1	Call for Application	Call for Application	Call for Application
	Gasket Kit	1	SP20063	SP20063	SP20063
	Thermocouple Kit	1	SP20064	SP20064	SP20064

## Residential Replacement Parts List

# 30, 40 AND 50 GALLON FVIR MODELS (Flammable Vapor Ignition Resistant System) NATURAL OR LP GAS

**For NAECA V-PLUS units manufactured between January, 2004 and September 2007**

Ref. No.	Part Description	Qty. Req.	Part Number					
			30 gallon models		40 gallon models		50 gallon models	
1.	Draft Hood	1	AM36352-H		AM36352-H		AM36352-H	
4.	Anode Rod	1	SP11309C (6-YR) SP11526C (12-YR)		SP11309C(6-YR) SP11526C (12-YR)		SP11309C(6-YR) SP11526C (12-YR)	
5.	Flue Baffle & Hanger	1	Call for Application		Call for Application		Call for Application	
6.	Dip Tube	1	Call for Application		Call for Application		Call for Application	
7.	Dip Tube Gasket	1	AP6948-3		AP6948-3		AP6948-3	
8.	T&P Relief Valve	1	AP12575B-1		AP12575B-1		AP12575B-1	
9.	Drain Valve	1	SP12112S		SP12112S		SP12112S	
10.	Gas Control (thermostat)	1	SP20166C SP13160D (LP)		SP20166C SP13160D (LP)		SP20166C SP13160D (LP)	
13.	Jacket Door	1	AS39789-2C		AS39789-2C		AS39789-2C	
	Drain Valve Shroud	1	AP9167		AP9167		AP9167	
	Burner Kit	1	Call for Application		Call for Application		Call for Application	
	Pilot Assembly Kit	1	SP20075 (NAT) SP20076 (LP)		SP20075 (NAT) SP20076 (LP)		SP20075 (NAT) SP20076 (LP)	
	Thermocouple Kit	1	SP20064		SP20064		SP20064	

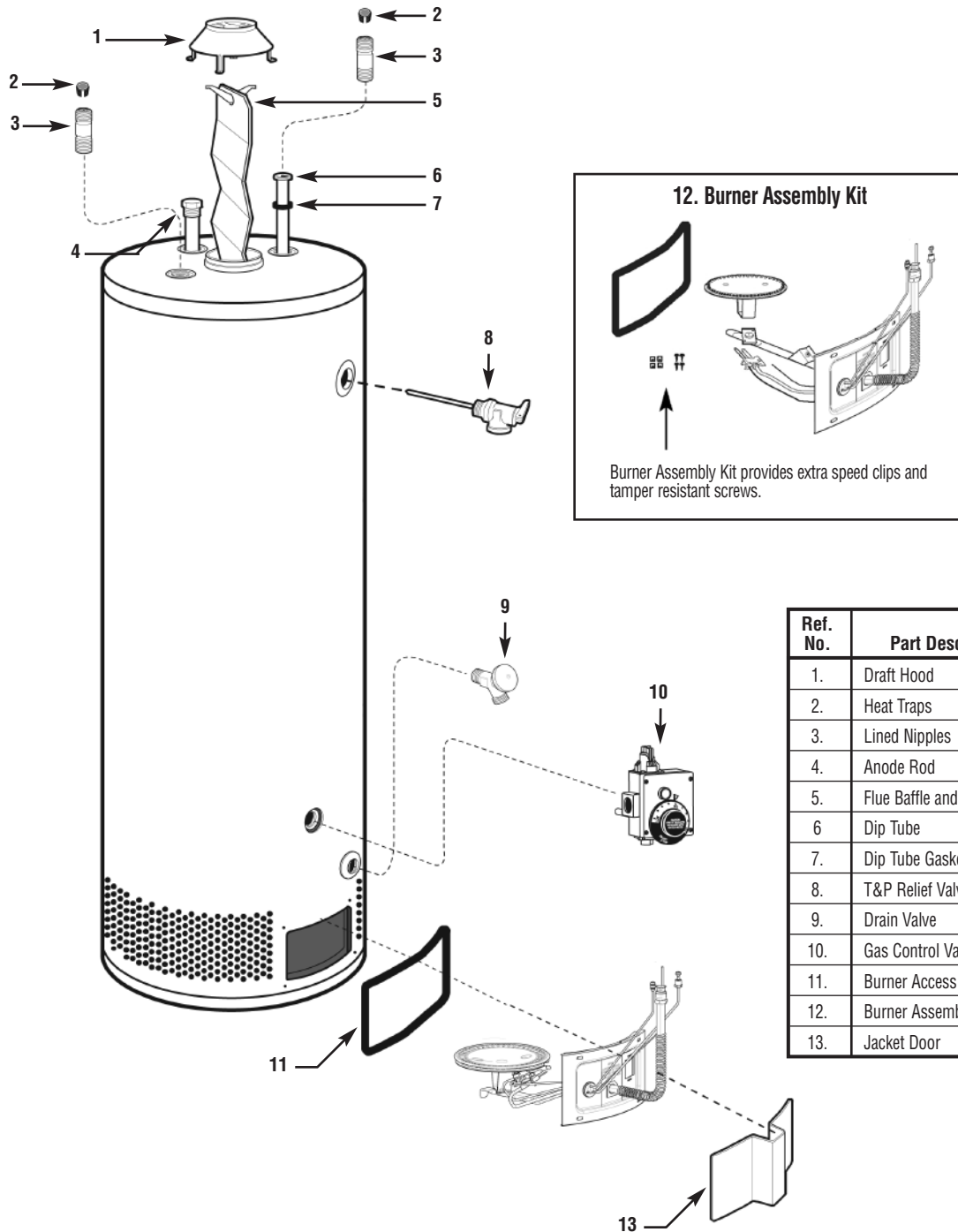
**For NAECA Non-VR units manufactured between January, 2004 and September 2007**

Ref. No.	Part Description	Qty. Req.	Part Number					
			30 gallon models		40 gallon models		50 gallon models	
1.	Draft Hood	1	AM36333-H		AM36352-H		AM36352-H	
4.	Anode Rod	1	SP11309C		SP11309C		SP11309C	
5.	Flue Baffle & Hanger	1	Call for Application		Call for Application		Call for Application	
6.	Dip Tube	1	Call for Application		Call for Application		Call for Application	
7.	Dip Tube Gasket	1	AP6948-3		AP6948-3		AP6948-3	
8.	T&P Relief Valve	1	SP8346		SP8346		SP8346	
9.	Drain Valve	1	SP12112G		SP12112G		SP12112G	
10.	Gas Control (thermostat)	1	SP8555R (NAT) SP13160E (LP)		SP8555R (NAT) SP13160E (LP)		SP8555R (NAT) SP13160E (LP)	
13.	Jacket Door	1	AS39789-2C		AS39789-2C		AS39789-2C	
	Drain Valve Shroud	1	AP9167		AP9167		AP9167	
	Burner Kit	1	Call for Application		Call for Application		Call for Application	
	Pilot Assembly Kit	1	SP20075 (NAT) SP20076 (LP)		SP20075 (NAT) SP20076 (LP)		SP20075 (NAT) SP20076 (LP)	
	Thermocouple Kit	1	SP20064		SP20064		SP20064	



## Residential Replacement Parts List

# 30, 40, 50, 60 AND 75 GALLON ATMOSPHERIC FVIR MODELS NATURAL AND LP GAS FOR USE IN MODELS MANUFACTURED WITH WHITE-RODGERS CONTROLS AFTER SEPTEMBER 2007



Ref. No.	Part Description	Qty. Req.
1.	Draft Hood	1
2.	Heat Traps	2
3.	Lined Nipples	2
4.	Anode Rod	1
5.	Flue Baffle and Hanger	1
6.	Dip Tube	1
7.	Dip Tube Gasket	1
8.	T&P Relief Valve	1
9.	Drain Valve	1
10.	Gas Control Valve (thermostat)	1
11.	Burner Access Door Gasket	1
12.	Burner Assembly Kit	1
13.	Jacket Door	1

# Residential Replacement Parts List

## 30, 40, 50, 60 AND 75 GALLON ATMOSPHERIC FVIR MODELS

### Cross Reference – Models with White-Rodgers Controls

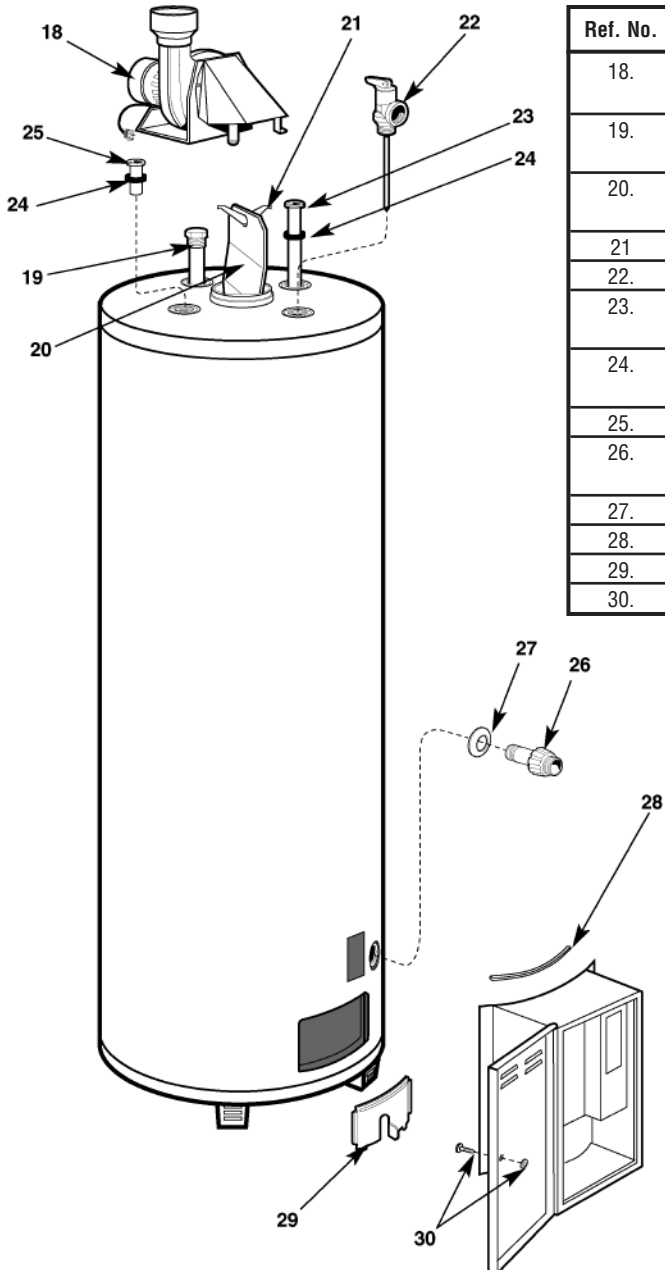
Service Parts – White-Rodgers Controls (Sept. 2007)												
Rheem Model	Ruud Model	Gas Valve – NG	Gas Valve – LP	Pilot Assy Kit – NG	Pilot Assy Kit – LP	Thermo-couple Kit	Gasket Kit	Piezo				
<b>PROFESSIONAL SERIES WITH THE GUARDIAN SYSTEM - 30, 40, 50 and 60 Gallon Capacities</b>												
22V40 PROF	P2-40 PROF	SP14270G	N/A	SP20127	N/A	SP20129	SP20063	AP14316				
42V40 PROF	PH2-40 PROF	SP14270G	SP14269A		SP20128							
RHG PRO40-40F	RUG PRO40-40F	SP14270H	SP14269D		SP20128							
22V50 PROF	P2-50 PROF	SP14270G	N/A		N/A							
42V50-40 PROF	PH2-50-40 PROF	SP14270F	SP14269E		SP20128							
RHG PRO50-40F	RUG PRO50-40F	SP14270H	SP14269D		SP20128							
RHG PRO50-50F	RUG PRO50-50F	SP14270K	N/A		N/A							
42V40SPROF	PH2-40SPROF	SP14270G	SP14269E		SP20128							
42V50SPROF	PH2-50SPROF	SP14270F	SP14269A		SP20128							
42V50-65F	PH2-50-60F	SP1433913	SP14340C		SP20127				SP20128	SP20129	SP20063	AP14316
RHGPRO60F	RUGPRO60F	SP14270M	SP14269A		SP20128							
<b>FURY SERIES WITH THE GUARDIAN SYSTEM - 30, 40, 50 and 60 Gallon Capacities</b>												
42VR40-40F	PH2R40-40F	SP14270H	SP14269D	SP20127	SP20128	SP20129	SP20063	AP14316				
42VR50-40F	PH2R50-40F	SP14270H	SP14269D		SP20128							
22V30F	P2-30F	SP14270G	SP14269A		SP20128							
22V40-36F1	P40-36F1	SP14270G	N/A		N/A							
22V40F1	P2-40F1	SP14270G	N/A		N/A							
42V40F	PH2-40F	SP14270F	SP14269E		SP20128							
22V50F1	P2-50F1	SP14270G	N/A		N/A							
42V50-40F	PH2-50-40F	SP14270F	SP14269E		SP20128							
42V50-50F	PH2-50-50F	SP14270K	N/A		N/A							
22V30S-30F	P2-30S-30F	SP14270F	N/A		N/A							
22V40SF	P2-40SF	SP14270G	SP14269A		SP20128							
42V40SF	PH2-40SF	SP14270G	SP14269A		SP20128							
42V50SF	PH50SF	SP14270G	SP14269A		SP20128							
42V60F	PH2-60F	SP14270M	SP14269A		SP20128							
<b>PROFESSIONAL AND FURY SERIES WITH THE GUARDIAN SYSTEM - 75 Gallon Capacity</b>												
RHGPRO75F	RUGPRO75F	SP14339	SP14340		SP20127				SP20128	SP20129	SP20063	AP14316
42V75F	PH2-75F	SP14339	SP14340	SP20127	SP20128	SP20129	SP20063	AP14316				

Note: This cross reference covers parts specific to models using White-Rodgers Controls only. Common service parts such as draft hoods, anode rods, flue baffles, dip tubes, T & P relief valves, jacket doors, drain valves and burner kits remain unchanged, and can be referenced on Page 48.

# Residential Replacement Parts List

## Spark Ignition

### POWER VENTED MODELS: NATURAL OR LP GAS

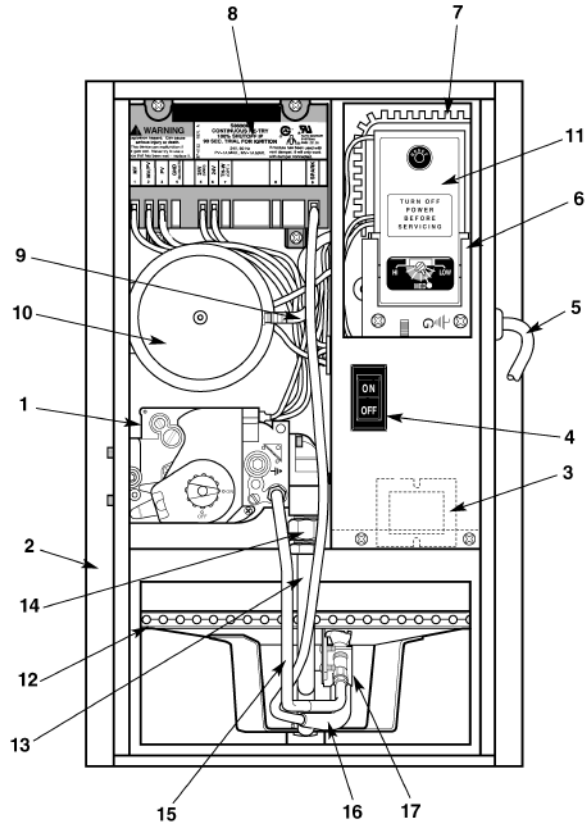


Ref. No.	Part Description	Qty. Req.	Part Number
18.	Vent Fan Assembly	1	(40/50 Gal) AP10983-4
			(75 Gal) AP11608-1
19.	Anode	1	(40/50 Gal) SP11309C
			(75 Gal) 11526C
20.	Flue Baffle Assembly	1	(40/50 Gal) AM20622C
			(75 Gal) AM38168
21.	Flue Baffle Hanger	1	(All models) AM20622C
22.	T & P Relief Valve	1	(All models) SP6571B
23.	Heat Trap Dip Tube	1	(40/50 Gal) AP10768C-4
			(75 Gal) SP11269C
24.	Dip Tube Gasket	1	(40/50 Gal) AP6948-3
			(75 Gal) AP9060-1
25.	Hot Outlet Heat Trap	1	(40/50 Gal) AP8910-1
26.	Drain Valve	1	(40/50 Gal) SP12039
			(75 Gal) SP12112G
27.	Drain Valve Shroud	1	(All models) AP2480-3
28.	Enclosure Box Gasket	1	N/A
29.	Inner door	1	(All models) AM29501
30.	Captive Screw w/ Retainer	1	(All models) AP8162B-1

# Residential Replacement Parts List

## Spark Ignition

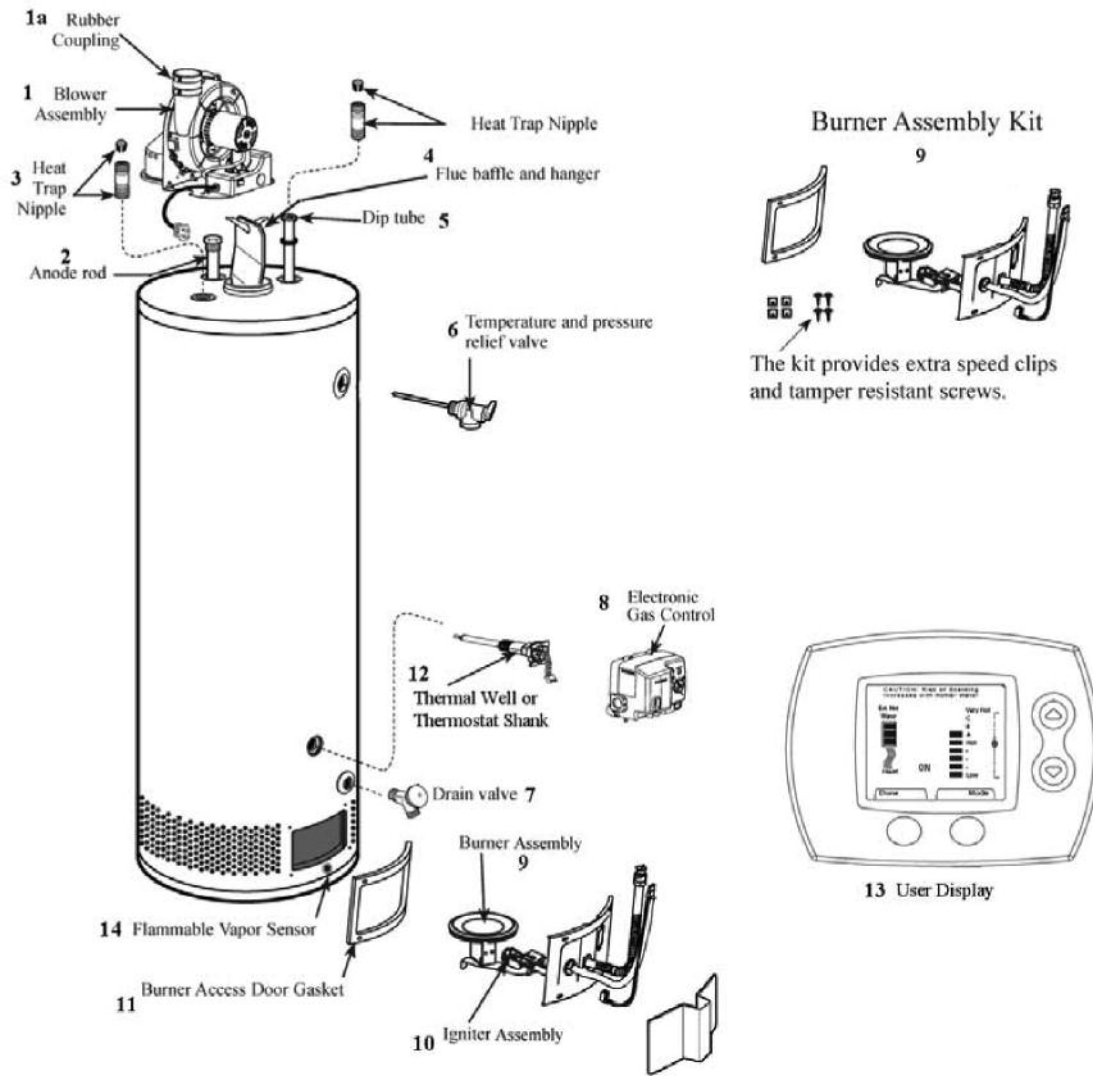
### POWER VENTED MODELS: NATURAL OR LP GAS



Ref. No.	Part Description	Qty. Req.	Part Number
1.	Gas Control Valve	1	(NAT) SP11652B (LP) SP11652C
2.	Assembly, Control Enclosure	1	N/A
3.	Transformer	1	SP11787
4.	On/Off Switch	1	SP10778
5.	Assembly, Power Cord	1	AM36917
6.	Thermostat Bracket	1	AM37830
7.	Composite Edge Grommet	1	AP10780-1
8.	Ignition Control	1	SP10763C
9.	Vinyl Vacuum Tubing	1	AP10723-2
10.	Vacuum Switch	1	SP11875
11.	Thermostat	1	SP12390
12.	Burner	1	(40 Gal NAT) AM38380C (40 Gal LP) AM38379C (50 Gal NAT) AM38380B (50 Gal LP) AM38379B (75 Gal NAT) AM38140 (75 Gal LP) AM38142
13.	Burner Supply Tube	1	N/A
14.	Inverted Flare Nut	1	AP10691-2
15.	Pilot Supply Tube	1	N/A
16.	Ignitor Cable	1	SP8828D
17.	Pilot / Electrode Assembly	1	(before September 1998: NAT) SP10764B (before September 1998: LP) SP10764C (after September 1998: 40/50 Gal NAT) SP12049B (after September 1998: 40/50 Gal LP) SP12049C (after September 1998: 75 Gal NAT) SP12049D (after September 1998: 75 Gal LP) SP12049E

# Residential Replacement Parts List

## POWER VENT WITH ELECTRONIC CONTROL (FVIR COMPLIANT)

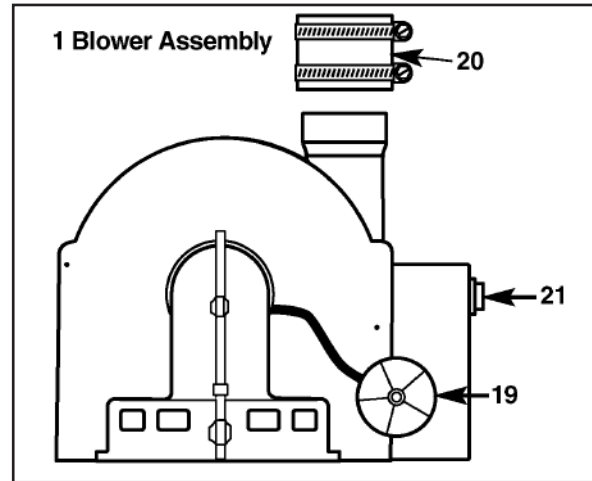
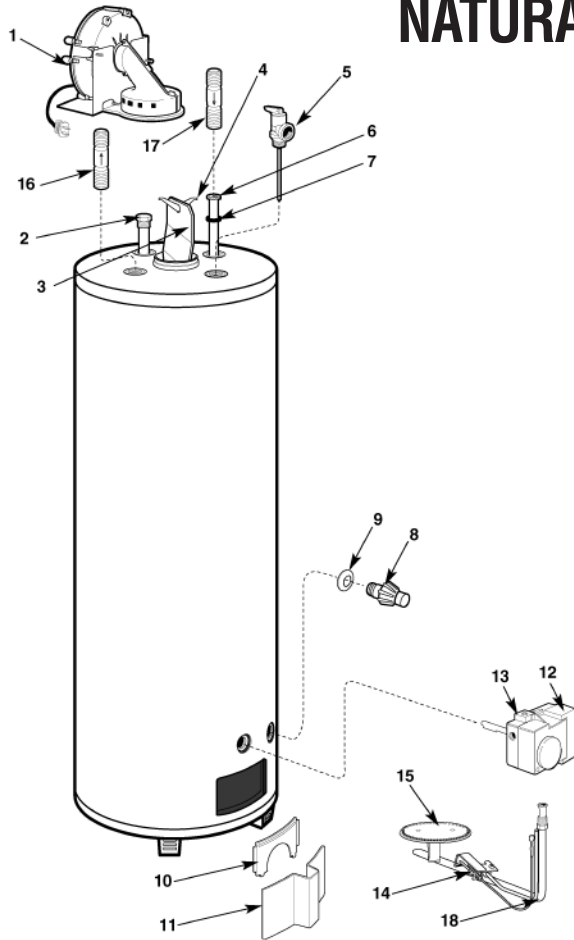


Ref. No.	Part Description	Part Number	Qty. Req.
1.	Blower Assembly w/ Press Switch 40 & 50 Gal. Tall	AP13416	1
	Blower Assembly w/ Press Switch 40 & 50 Gal. Short	AP13605	1
	Pressure Switch	AP13910	1
1a.	Coupling	SP12638	1
2	Anode Rod	--	--
	40 & 50 Gallon Tall	SP11309C	1
	40 & 50 Gallon Short	SP11309Y	1
3.	Heat Trap Nipples	SP20003	2
4.	Flue Baffle with Hanger	Call for App	1
5.	Dip Tube with Gasket	--	--
	40 Gallon Tall	AP11625G	1
	50 Gallon Tall	AP11625R	1
	40 & 50 Gallon Short	AP11625S	1
6.	T&P Relief Valve	SP8346	1
7.	Drain Valve	SP12112G	1

Ref. No.	Part Description	Part Number	Qty. Req.
8.	Electronic Gas Control	--	--
	Honeywell Natural	AP14671	1
	Honeywell LP	AP14672	1
9.	Burner Assembly	--	--
	40 & 50 Gallon Natural	Call for App	1
	40 & 50 Gallon LP	Call for App	1
10.	Spark Igniter Assy Kit	--	--
	Spark Igniter Assy Kit 17" Natural	SP14698D	1
	Spark Igniter Assy Kit 17" LP	SP14700D	1
11	Inner Door Gasket Kit	SP20063	1
12.	Thermostat Shank 1.926	AP14696A	
	Thermostat Shank 2.870	AP14696B	
13.	Display, Electronic Control	AP14697	1
14.	Flammable Vapor Sensor	AP13447-3	1
--	PCB Enclosure (power supply for display)	AP14875	1

## Residential Replacement Parts List

# POWER VENTED - 2 IN. VENT: 40 AND 50 GALLON MODELS NATURAL OR LP GAS

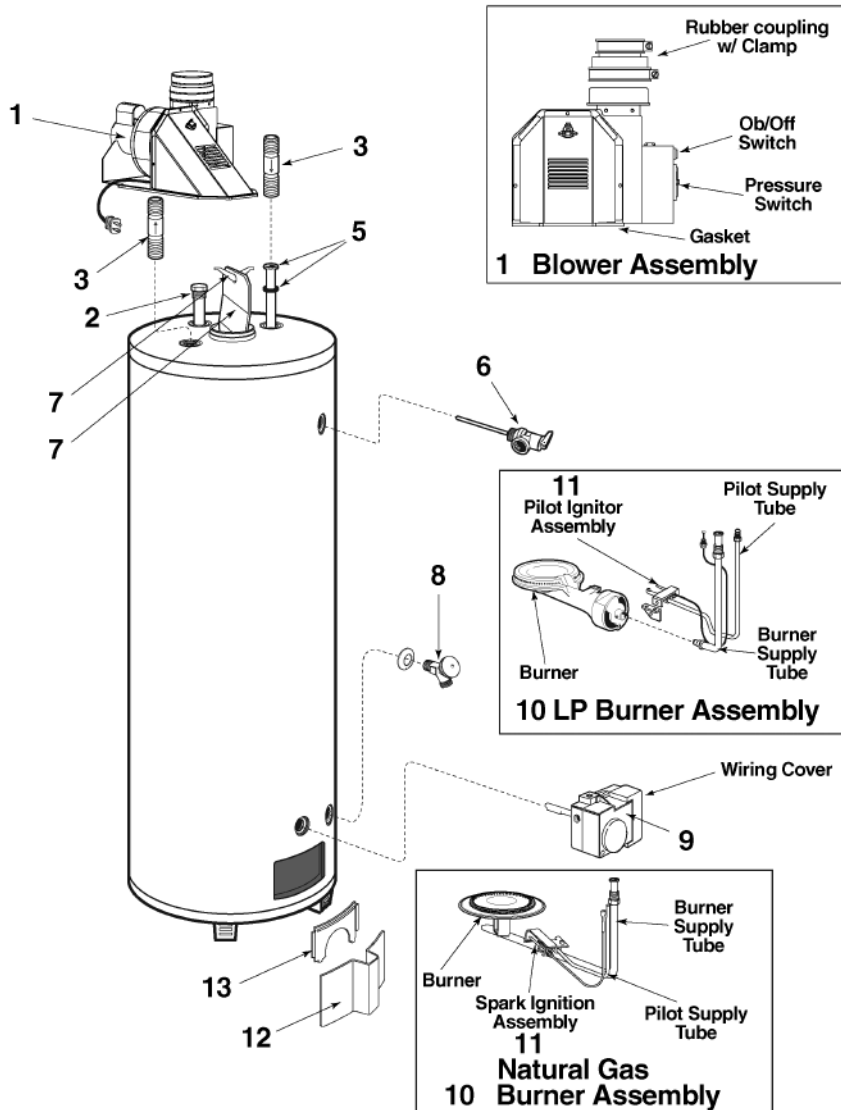


Ref. No.	Part Description	Qty. Req.	Part Number
1.	Blower Assembly	1	SP12562
2.	Anode Rod	1	SP11309C
3.	Flue Baffle Assembly	1	AM39341
4.	Flue Baffle Hanger	1	N/A
5.	T & P Relief Valve	1	SP8346
6.	Dip Tube	1	SP11251R
7.	Dip Tube Gasket	1	AP6948-1
8.	Drain Valve	1	SP12112S
9.	Drain Valve Shroud	1	AP9167
10.	Inner Door	1	AM29501
11.	Outer Door	1	AM29254-4C
12.	Protective Cover	1	AP12558
13.	Thermostat	1	(NAT) SP20161A (LP) SP20162A
14.	Spark Ignitor Assembly	1	(NAT) SP12560B (LP) SP12560C
15.	Main Burner Assembly	1	(40 Gal NAT Low NOx) AM39503RY (40 Gal LP) AM39504RM (50 Gal NAT Low NOx) AM39503SY (50 Gal LP) AM39504SM
16.	Heat Trap Hot	1	SP20003 Kit
17.	Heat Trap Cold	1	SP20003 Kit
18.	Burner Supply Tube	1	N/A
19.	Pressure Switch	1	SP12766
20.	Rubber Coupling	1	SP12658
21.	On/Off Switch	1	AP12767



# Residential Replacement Parts List

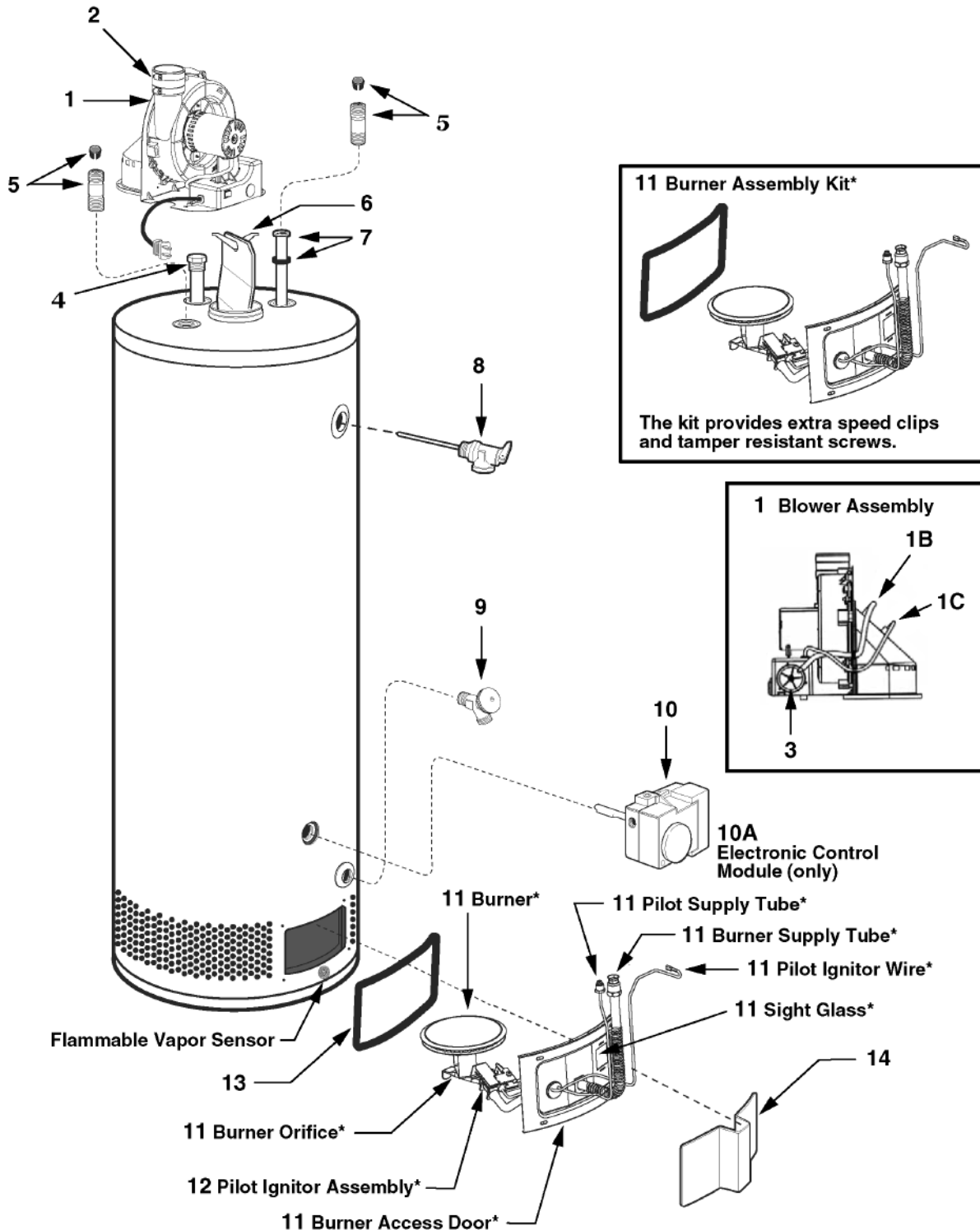
## 75 GALLON POWERVENT NATURAL OR LP GAS



Ref. No.	Part Description	Qty. Req.	Part Number
1.	Blower Assembly	1	AP13211
2.	Anode Rod	1	AP11525C
3.	Heat Trap Nipple (Hot)	1	AP13163-1
3.	Heat Trap Nipple (Cold)	1	AP13164-1
5.	Dip Tube with Gasket	1	AP13226A
6.	T & P Relief Valve	1	SP12575B
7.	Flue Baffle with Hanger	1	(NAT) AM40182 (LP) AM40427
8.	Drain Valve	1	SP12112S
9.	Gas Control (Thermostat)	1	(NAT) SP20161A (LP) SP20162A
10.	Burner Assembly	1	(NAT) AM40195BA (LP) AM40448
11.	Pilot Ignitor Assembly	1	(NAT) SP12560B (LP) SP12049E
12.	Jacket Door	1	AM21658-2C
13.	Inner Door	1	AM27902-2

# Residential Replacement Parts List

## POWERVENT (FVIR COMPLIANT) MANUFACTURED BETWEEN JULY 2006 AND OCTOBER 2007 40 AND 50 GALLON MODELS: NATURAL OR LP GAS WITH INVENSYS (ROBERTSHAW) CONTROLS



## Residential Replacement Parts List

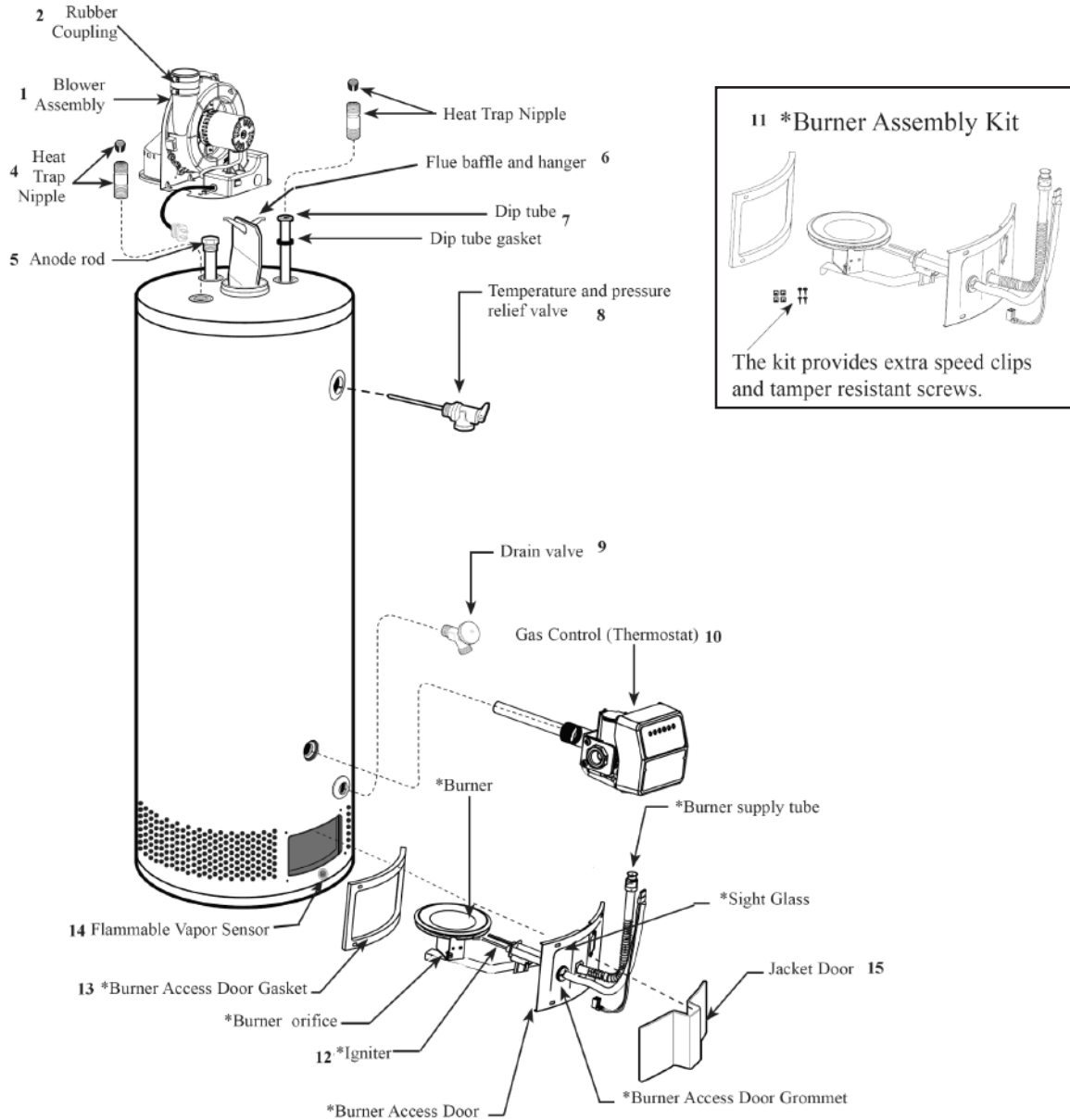
# POWERVENT (FVIR COMPLIANT) MANUFACTURED BETWEEN JULY 2006 AND OCTOBER 2007 40 AND 50 GALLON MODELS: NATURAL OR LP GAS WITH INVENSYS (ROBERTSHAW) CONTROLS

Ref. No.	Part Number	Description.	Model(s)
1	SP13416	Blower - High Performance	42VP40F, 42VP50F, 42VP40PF, 42VP50PF
1	SP13605	Blower - Low Noise	42VP40SF, 42VP50SF, 42VP40SPF, 42VP50SPF
3	SP20116	Vacuum Switch - HP Blower Assy	42VP40F, 42VP40PF, 42VP50F, 42VP50PF
3	SP20117	Vacuum Switch - Low Noise Blower Assy	42VP40SF, 42VP40SPF, 42VP50SF, 42VP50SPF
4	SP11903C	Anode Rod	All
5	SP20003	Heat Trap Nipples	All
7	SP11625R	Dip Tube - 34.5" Helix	42VP50F, 42VP50PF
7	SP11625G	Dip Tube - 32" Helix	42VP40F, 42VP40PF
7	SP11625S	Dip Tube - 30" Helix	42VP40SF, 42VP40SPF, 42VP50SF, 42VP50SPF
9	SP12112G	Drain Valve	All
10	SP20170A	FV Wiper Control - NG (2.375" Shank, 160°F)	42VP40F
10	ST20170B	FV Wiper Control - NG (2.375" Shank, 160°F)	42VP50F
10	SP13458D*	FV Wiper Control - NG (1.5" Shank, 160°F)	42VP40SF, 42VP50SF
10	SP20171A	FV Wiper Control (2.375" Shank, 160°F)	42VP40PF
10	SP20171B	FV Wiper Control (2.375" Shank, 160°F)	42VP50PF
10	SP20171C	FV Wiper Control (1.5" Shank, 160°F)	42VP40SPF
10	SP20171D	FV Wiper Control (1.5" Shank, 160°F)	42VP50SPF
12	SP13418	Pilot Assy - NG	42VP40F
12	SP13419	Pilot Assy - LP	42VP40PF
12	SP13420	Pilot Assy - NG	42VP40SF
12	SP13421	Pilot Assy - LP	42VP40SPF
12	SP13422	Pilot Assy - NG	42VP50F
12	SP13423	Pilot Assy - LP	42VP50PF
12	SP13424	Pilot Assy - NG	42VP50SF
12	SP13425	Pilot Assy - LP	42VP50SPF
13	SP20063	Inner Door Gasket Kit	All
10A	SP20123B	Control - FV Wiper Electronics	All
1b	SP20120	Hose - Pressure Switch	All
Not Shown	SP20122	Blower - Gasket	All
Not Shown	SP13447B	FV Sensor/FV Wiper Replacement Kit	All

SP13458D will switch to SP20170C and SP20170D when supplies of SP13458D run out.

# Residential Replacement Parts List

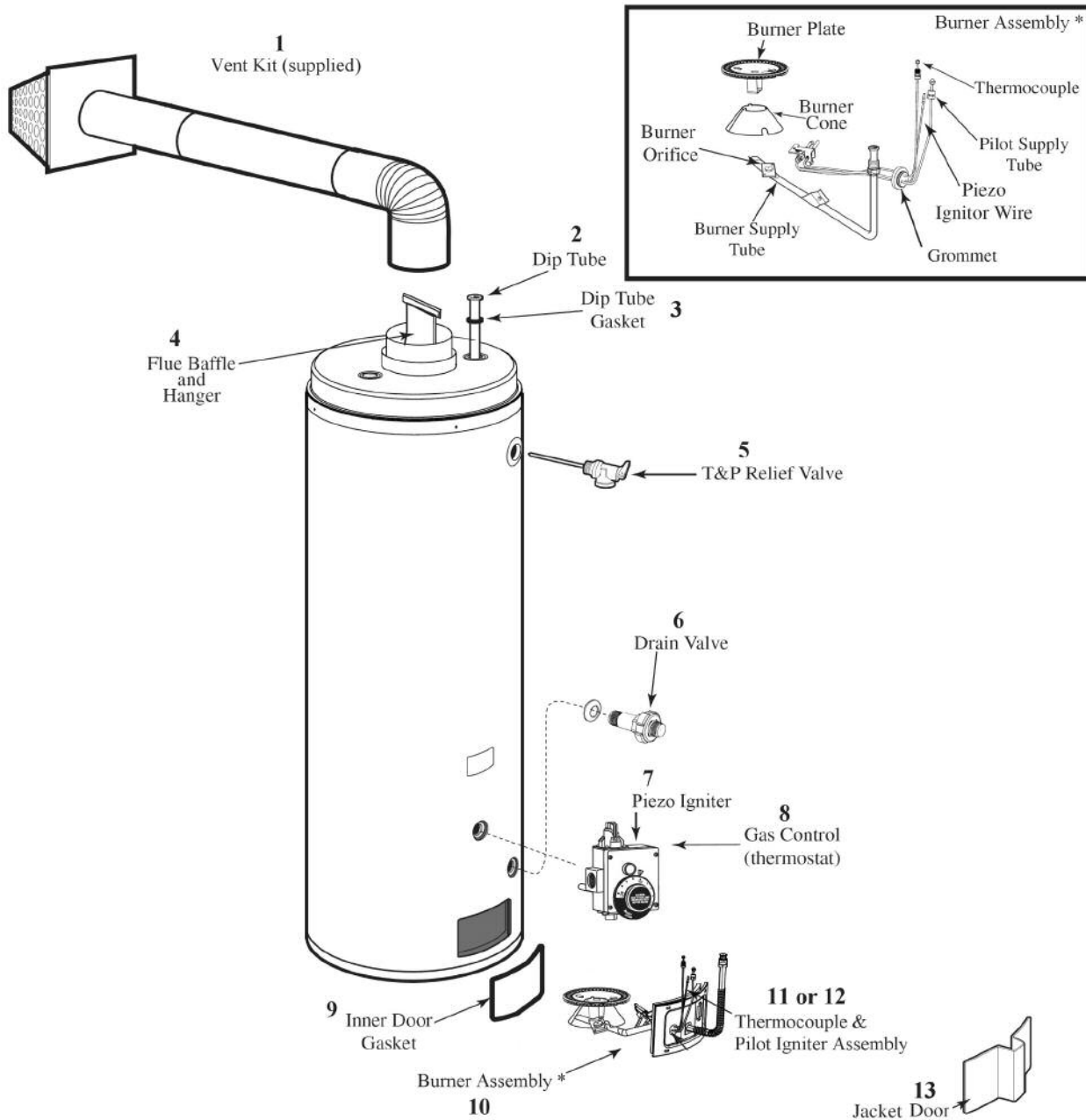
## POWERVENT (FVIR COMPLIANT) MANUFACTURED AFTER OCTOBER 2007 40, 50, 60 AND 75 GALLON MODELS: NATURAL OR LP GAS WITH WHITE-RODGERS INTELLI-VENT CONTROLS



Rheem Model	Ruud Model	Gas Valve – Natural Gas	Gas Valve – LP Gas	Hot Surface Ignitor Kit	Blower Assembly	Gasket Kit	Relief Valve
<b>RHEEM AND RUUD MODELS WITH WHITE-RODGERS GAS CONTROL VALVES</b>							
42VP40FW	PVP40FW	SP13845A	SP13846A	SP14218B	SP13416	SP20063	SP8346
42VP50FW	PVP50FW	SP13845A	SP13846A	SP14218B	SP13416	SP20063	SP8346
42VP40SFW	PVP40SFW	SP13845B	SP13846B	SP14218B	SP13605	SP20063	SP12574
42VP50SFW	PVP50SFW	SP13845B	SP13846B	SP14218B	SP13605	SP20063	SP12574
42VP60FW	PVP60FW	SP13845B	SP13846B	SP14218B	SP14140	SP20063	SP12574
42VP75FW	PVP75FW	SP13845A	SP13846A	SP14218B	AP14378	SP20063	SP12575

# Residential Replacement Parts List

## DIRECT VENT (FVIR) MODELS: NATURAL AND LP GAS MANUFACTURED AFTER OCTOBER 2007

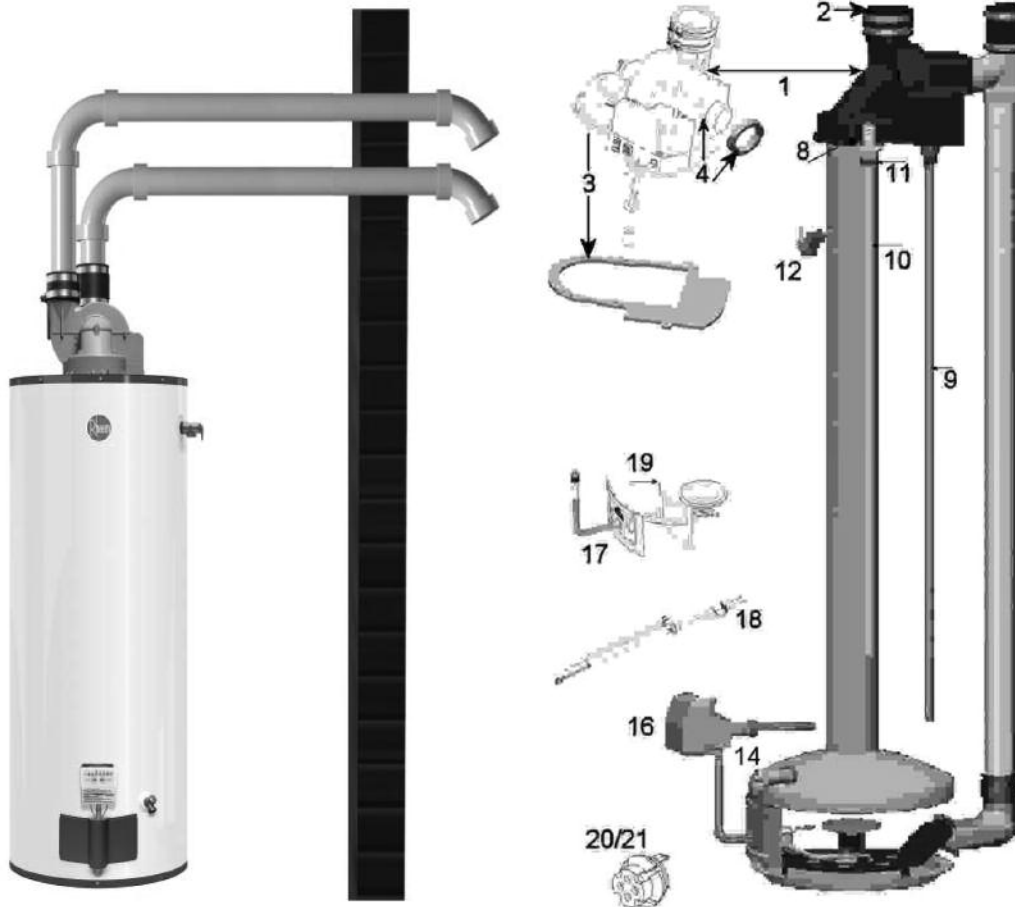


### Direct Vent with the Guardian System™ Parts Cross Reference Chart

Rheem Model	Ruud Model	Gas Valve – NG	Gas Valve – LP	Pilot Assy. Replacement Kit – NG	Pilot Assy. Replacement Kit – LP	Thermocouple Replacement Kit	Gasket Kit	Relief Valve
<b>RHEEM FURY SERIES / RUUD PACEMAKER SERIES</b>								
22DV40F	PH2DV40F	SP14270K	SP14269E	SP20159	SP20160	SP20129	SP20063	SP12576C
22DV50F	PH2DV50F	SP14270K	SP14269E	SP20159	SP20160	SP20129	SP20063	SP12576C

## Residential Replacement Parts List

# POWER DIRECT VENT WITH WHITE RODGERS CONTROL 40 & 50 GALLON MODELS – NATURAL OR LP

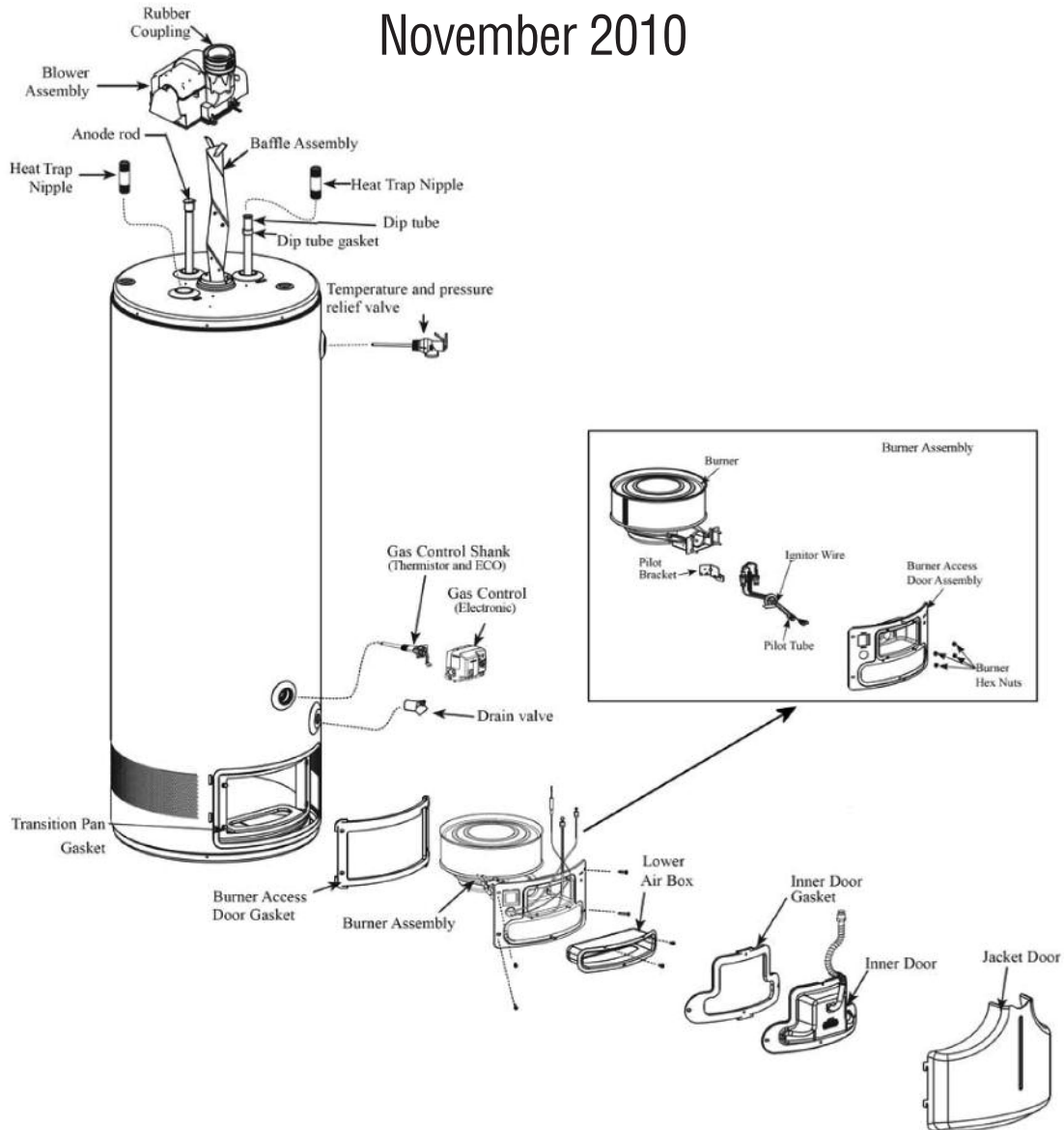


Ref. No.	Part Description	Qty. Req.	Part Number	Rheem Model(s)
1.	Blower Assembly Kit	1	SP20250A	PDV40, PDV40P
	Blower Assembly Kit	1	SP20250B	PDV50, PDF50P
	Blower Assembly Kit	1	SP20251A	PDV50-65, PDV50P-65
2.	Rubber Coupling Blower Motor to Exhaust Vent	1	SP20252	PDV40, PDV40P, PDV50, PDV50P, PDV50-65, PDV50P-65
3.	Blower Assembly Gasket (to top pan of heater)	1	SP20256	PDV40, PDV40P, PDV50, PDV50P, PDV50-65, PDV50P-65
4.	Blower Motor Seal to Inlet Vent	1	AP15000	PDV40, PDV40P, PDV50, PDV50P, PDV50-65, PDV50P-65
8.	Heat Trap Nipple	2	AP12992D	PDV40, PDV40P, PDV50, PDV50P, PDV50-65, PDV50P-65
9.	Anode Rod	1	AP11309C	PDV40, PDV40P, PDV50, PDV50P, PDV50-65, PDV50P-65
10.	Dip Tube – 38.5" Helix	1	AP11625H	PDV40
	Dip Tube – 41" Helix	1	AP11625T	PDV40P
	Dip Tube – 40" Helix	1	AP11625U	PDV50
	Dip Tube – 37" Helix	1	AP11625V	PDV50P, PDV50-65, PDV50P-65
11.	Dip Tube Gasket	1	AP6948	PDV40, PDV40P, PDV50, PDV50P, PDV50-65, PDV50P-65
12.	Temperature & Pressure Relief Valve	1	SP12575B	PDV40, PDV40P, PDV50, PDV50P, PDV50-65, PDV50P-65
14.	Drain Valve	1	SP12112S	PDV40, PDV40P, PDV50, PDV50P, PDV50-65, PDV50P-65
16.	White-Rodger's, Intelli-vent Combination Gas Control LP	1	SP14904A	PDV40, PDV50, PDV50-65
16.	White-Rodger's, Intelli-vent Combination Gas Control LP	1	SP14905A	PDV40P, PDV50P, PDV50P-65
17.	Burner Assembly (Nat or LP)	1	Call for App	PDV40, PDV40P, PDV50, PDV50P, PDV50-65, PDV50P-65
18.	Hot Surface Igniter	1	SP14218A	PDV40, PDV40P
18.	Hot Surface Igniter	1	SP14218B	PDV50, PDV50P, PDV50-65, PDV50P-65
19.	Burner Access Door Gasket Kit	1	SP20063	PDV40, PDV40P, PDV50, PDV50P, PDV50-65, PDV50P-65
20/21	Flammable Vapor Sensor	1	SP20172	PDV40, PDV40P, PDV50, PDV50P, PDV50-65, PDV50P-65

# Residential Replacement Parts List

## ULTRA LOW NOx ES II PowerVent

November 2010



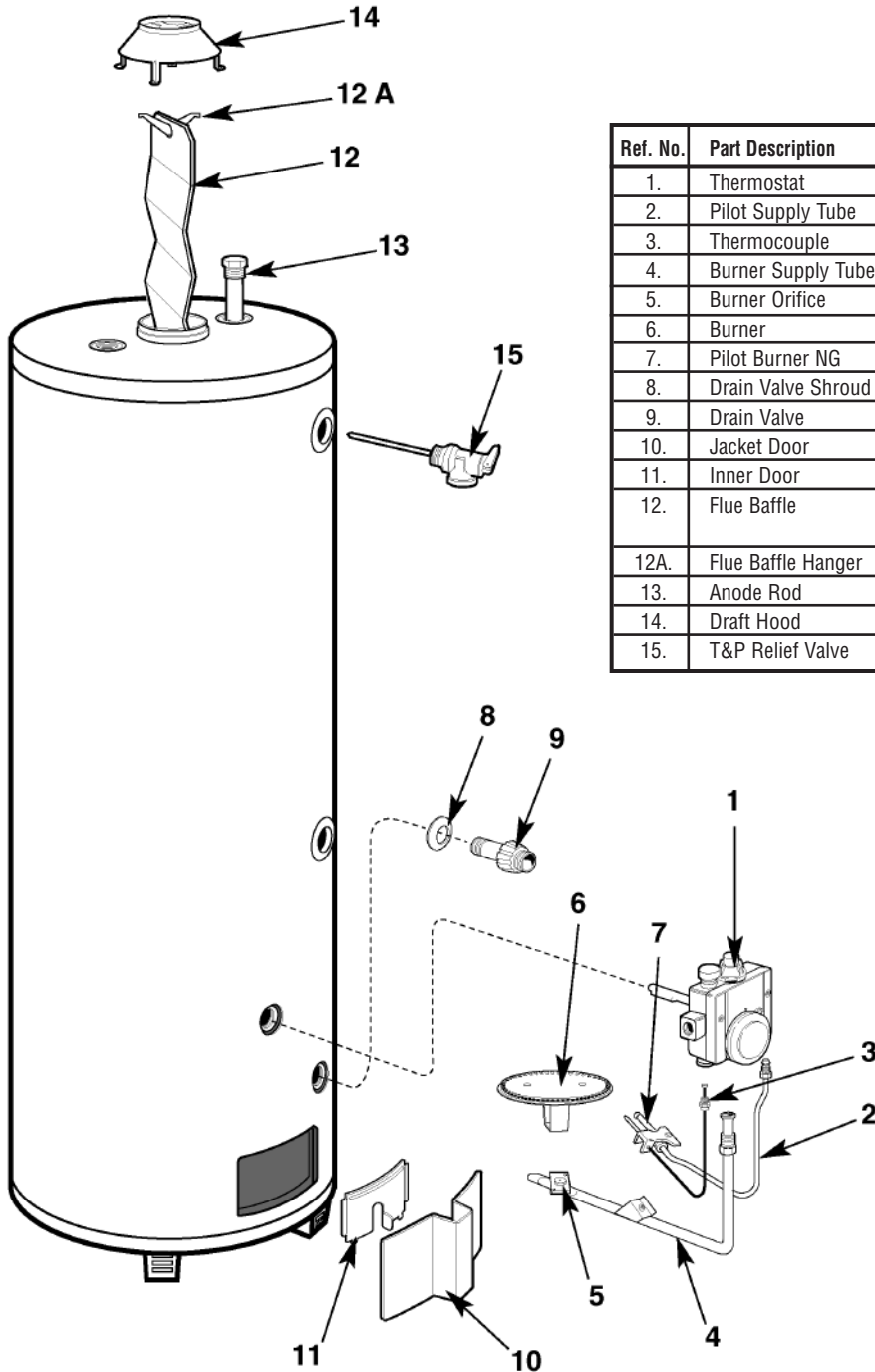
Ref. No.	Part Description	Part No.	Qty.
1.	Blower Assembly - 40 Gal	AP15342	1
	Blower Assembly - 50 Gal	AP15210	1
2.	Pressure Switch - 40 Gal	AP15981	1
	Pressure Switch - 50 Gal	AP15980	1
3.	Rubber Coupling 3 inch	SP20252	1
4.	Baffle Assembly	AS42697	1
5.	Heat Trap Nipples	AP12992C	2
6.	Anode Road	SP11309C	1
7.	Dip Tube	AP11625H	1
8.	Dip Tube Gasket	AP14457	1
9.	T&P Relief Valve	SP12575C	1
10.	Gas Control (Honeywell Electronic) Natural	AP15211	1
11.	Gas Control Shank (Thermistor and ECO)	AP15324	1
12.	Drain Valve	SP12112S	1
13.	Flammable Vapor Sensor Kit w/wiring harness	SP13447-3	1
14.	Jacket Door	AP15321	1

Ref. No.	Part Description	Part No.	Qty.
15.	Burner Assembly w/gasket Kit		-
	40 Gal	SP20283	
	50 Gal	SP20284	
16.	Pilot Igniter w/gaskets Kit		-
	40 Gal	SP20281	1
	50 Gal	SP20282	1
17.	Burner Gasket Kit (all gaskets) 40 gallon	SP20136	1
	Burner Gasket Kit (all gaskets) 50 gallon	SP20137	1
	Transition Pan Gasket (1)		
	Burner Access Door Gasket (1)		
	Inner Door Gasket (1)		
	Inner Door Torx 20 Screws (4)		
	Lower Air Box Mounting Screws (Phillips) (2)		
	Burner Hex Nuts 5/16" (4)		
Not Shown	Restrictor, minimum vent 2 inch	AP15532C	1
Not Shown	Restrictor, minimum vent 3 inch	P15532D	1



## Residential Replacement Parts List

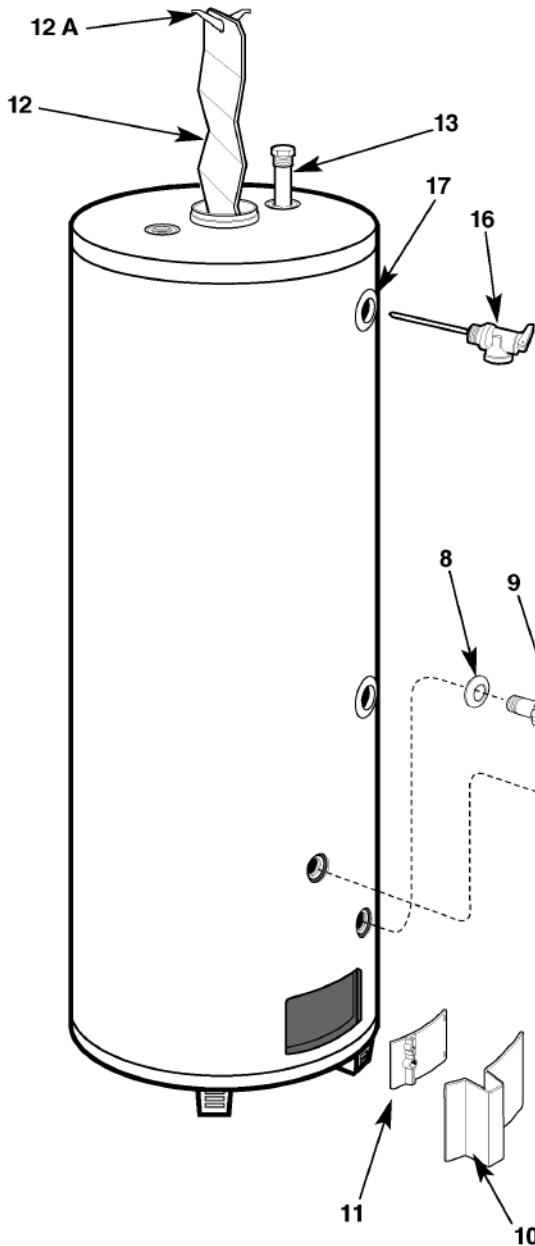
# 30 & 40 GALLON MODELS FOR MANUFACTURED HOUSING, WITH CONVERTIBLE GAS CONTROL FOR NATURAL OR LP GAS



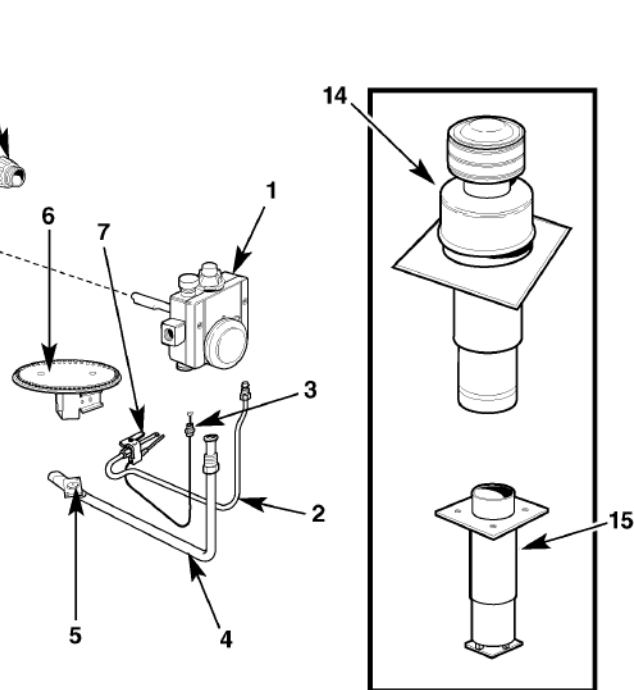
Ref. No.	Part Description	Qty. Req.	Part No.	
1.	Thermostat	1	SP9051B	
2.	Pilot Supply Tube	1	N/A	
3.	Thermocouple	1	SP6379E	
4.	Burner Supply Tube	1 NG Burner Assembly	(30 Gal) AM35050CT	
5.	Burner Orifice		(40 Gal) AM35050DT	
6.	Burner			
7.	Pilot Burner NG	1	SP8980B	
8.	Drain Valve Shroud	1	AP9167	
9.	Drain Valve	1	AP12039	
10.	Jacket Door	1	AM29254-4C	
11.	Inner Door	1	AM29501	
12.	Flue Baffle	1	(30 Gal) AM25812	
			(40 Gal) AM29068	
12A.	Flue Baffle Hanger	1	AM20622C	
13.	Anode Rod	1	SP11309C	
14.	Draft Hood	1	AM36352H	
15.	T&P Relief Valve	1	SP12574	

## Residential Replacement Parts List

# 30, 40 & 50 GALLON DIRECT VENT MODELS FOR MANUFACTURED HOUSING, WITH CONVERTIBLE GAS CONTROL FOR NATURAL OR LP GAS

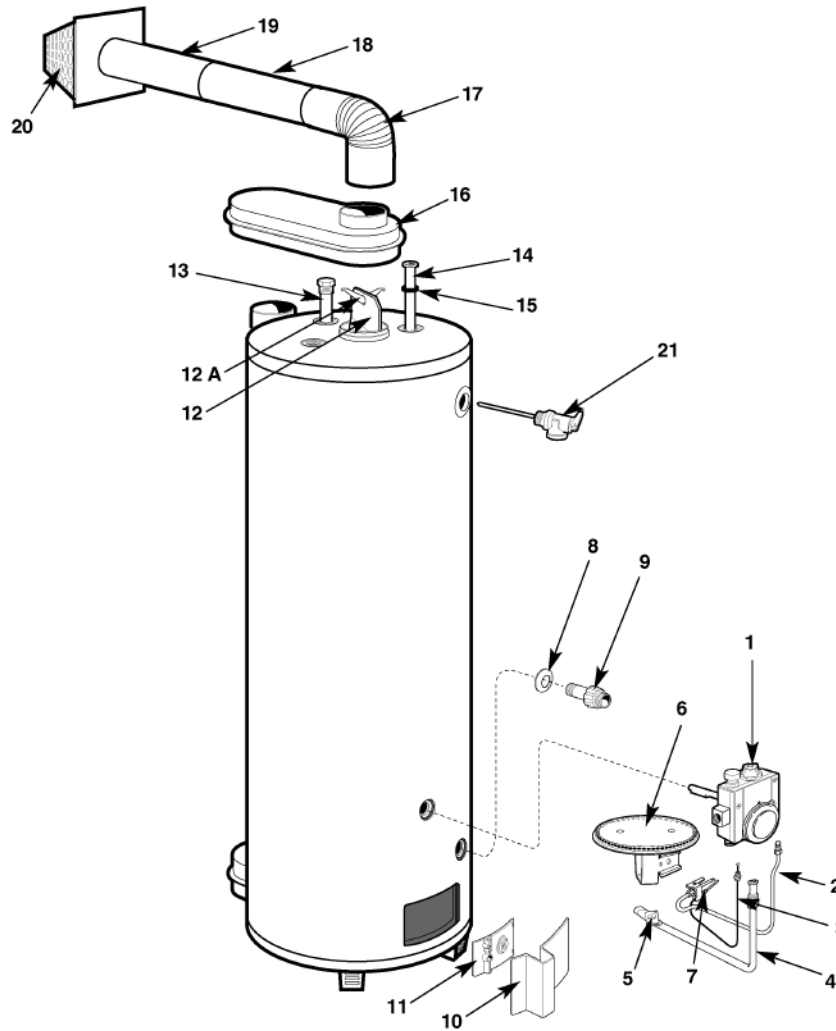


Ref. No.	Part Description	Qty. Req.	Part Number	
1.	Thermostat	1	SP9051B	
2.	Pilot Supply Tube	1	N/A	
3.	Thermocouple	1	SP6379R	
4.	Burner Supply Tube	1 NG Burner Assembly	(30 Gal) AM28804BHH	
5.	Burner Orifice		(40 Gal) AM38804CHH	
6.	Burner		(50 Gal) AM38804DNN	
7.	Pilot Burner NG	1	SP8384E	
8.	Drain Valve Shroud	1	AP9167	
9.	Drain Valve	1	SP12039	
10.	Jacket Door	1	AM35622	
11.	Inner Door	1	AM38692	
12.	Flue Baffle	1	AM29201	
12A.	Flue Baffle Hanger	1	AM20622C	
13.	Anode Rod	1	SP11309C	
14.	Roof Jack Assembly	1	As Required	
15.	Air Inlet Assembly	1	AP12019B	
16.	T&P Relief Valve	1	SP12574	
17.	Shroud, Relief Valve	1	AP9167	



# Residential Replacement Parts List

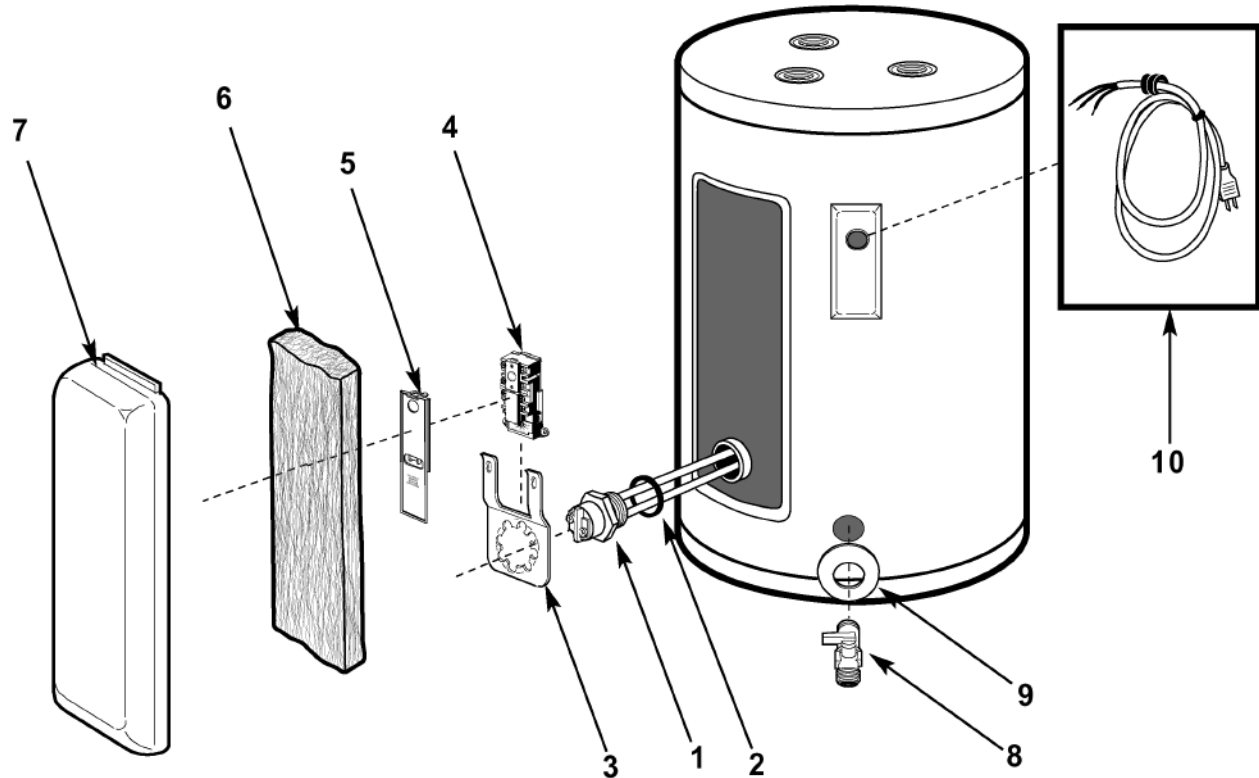
## DIRECT VENT (NON-FVIR) MODELS: NATURAL GAS ONLY



Ref. No.	Part Description	Qty. Req.	21DV Model Part Number	22DV Model Part Number	
1.	Thermostat	1	SP20164	SP20264	
2.	Pilot Supply Tube	1	N/A	N/A	
3.	Thermocouple	1	SP6379R	SP6379R	
4.	Burner Supply Tube	1 Burner Assembly	AM35651DY	AM40497EY	
5.	Burner Orifice				
6.	Burner				
7.	Pilot Burner	1	SP8980B	SP12380B	
8.	Drain Valve Shroud	1	AP9167	AP9167	
9.	Drain Valve	1	SP12039	AP12159C-1	
10.	Jacket Door	1	AM35622	AM35622	
11.	Inner Door	1	AM38692	AM40615	
12.	Flue Baffle	1 Assembly	AE35629D-2	AE35629D-2	
12A.	Flue Baffle Hanger				
13.	Anode Rod	1	SP11309C	SP11309C	
14.	Dip Tube	1	SP11248R	AP11251H-2	
15.	Dip Tube Gasket	1	AP6948-1	AP6948-1	
16.	Upper Air Inlet Box	1	AM35613-H	AM40290-H	
17.	Air Tube Elbow	1	AP10197-1	AP10197-1	
18.	Sliding Air Tube	1	AP11126B-1	AP11126B-1	
19.	Main Air Tube	1	AP11126C-1	AP11126C-1	
20.	Vent Terminal Cap	1	AP11498	AP11498	
21.	T&P Relief Valve	1	SP12574	SP8346	

# Residential Replacement Parts List

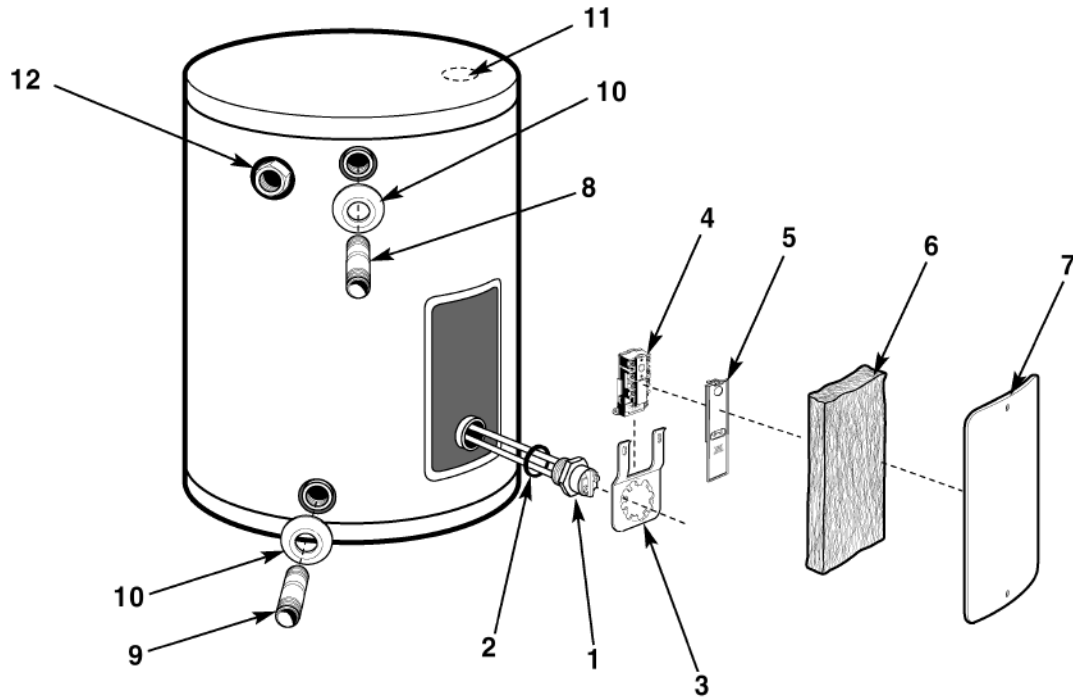
## 2 1/2 GALLON MODELS 120 OR 240 VOLT OPERATION



Ref. No.	Part Description	Qty. Req.	Part Number	
1.	Heating Element	1	(120V) SP10868LH 1440W	
			(240V) SP10869FH 1500W	
2.	Heating Element Gasket	1	AP6708-9	
3.	Thermostat Bracket	1	AM23557	
4.	Thermostat	1	(120V) SP11700	
			(240V) SP11699	
5.	Thermostat Protective Cover	1	AP8413-9	
6.	Cavity Insulation	1	AP9184-7	
7.	Jacket Access Panel	1	AM38409-1C	
8.	Drain Valve	1	(PVC) SP12039	
			(Brass) SP12112G	
9.	Drain Valve Shroud	1	AP2480-3	
10.	Electrical Cord Set (120 VAC models ONLY)	1	AP10883-2	

# Residential Replacement Parts List

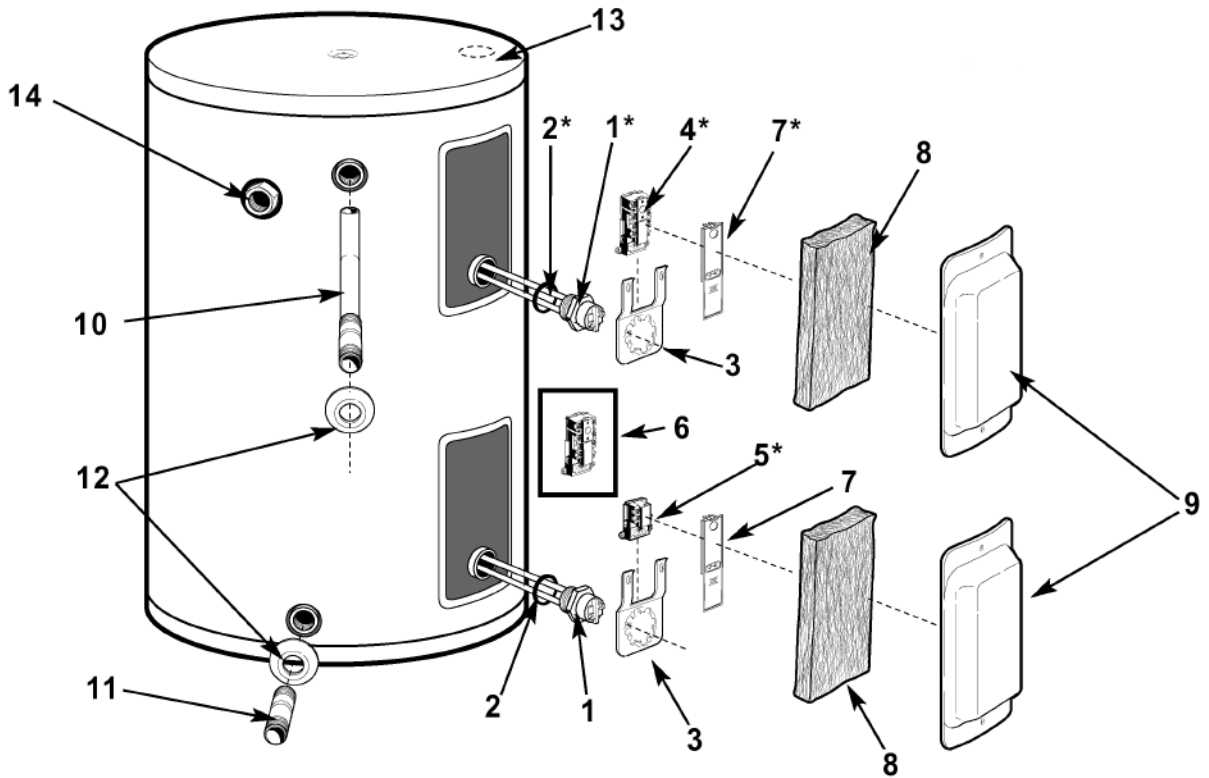
## 6 – 20 GALLON MODELS 120 OR 240 VOLT OPERATION



Ref. No.	Part Description	Qty. Req.	Part Number
1.	Heating Element	1	(120V) SP10874GH 2000W (240V) SP10552GH 2000W
2.	Heating Element Gasket	1	AP6708-9
3.	Thermostat Bracket	1	AM23557
4.	Thermostat	1	(120V) SP11700 (240V) SP11699
5.	Thermostat Protective Cover	1	AP8313-9
6.	Cavity Insulation	1	AP9184-7
7.	Jacket Access Panel	1	AM38409-1C
8.	Nipple, Hot Outlet	1	AP11623F
9.	Nipple, Cold Inlet	1	AP11623F
10.	Shroud	As Required	AP2480-3
11.	Anode Rod	1	SP11309P 6 GAL SP11309L 10-20 GAL
12.	Snap Bushing	1	AP7733-2

# Residential Replacement Parts List

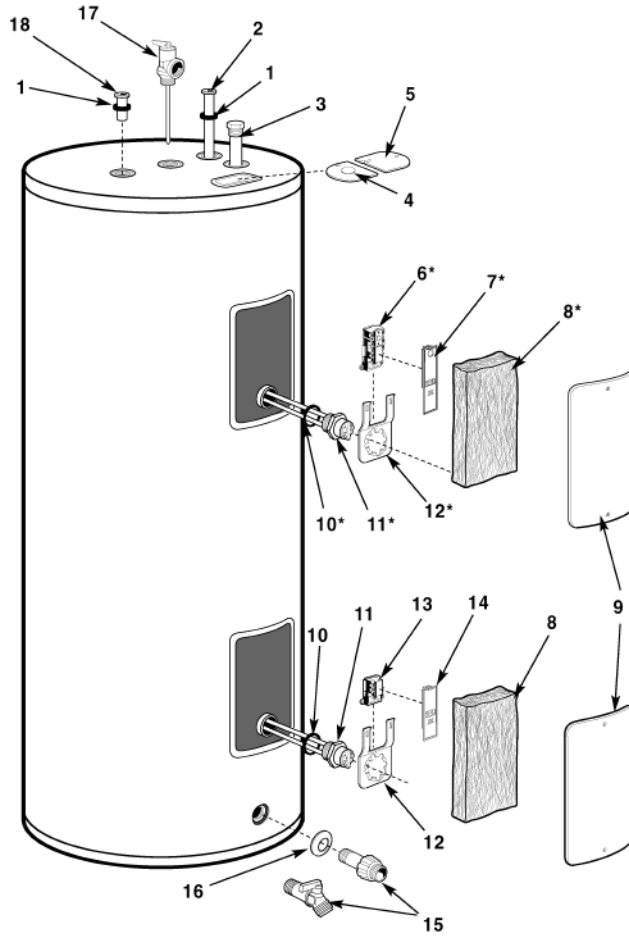
## 30 GALLON MODELS 120 OR 240 VOLT OPERATION



Ref. No.	Part Description	Qty. Req.	Part Number
1.	Heating Element	As Required	(120V) SP10874GH (240V) SP10552GH
2.	Heating Element Gasket	As Required	AP6708-9
3.	Thermostat Bracket	As Required	AM23557
4.	Thermostat, Upper (on double element models only)	1	SP11698
5.	Thermostat, Lower	1	(120V) SP11700 (240V) SP11695
6.	Thermostat (single element models only)	1	(120V) SP11700 (240V) SP11699
7.	Thermostat Protective Cover	As Required	AP8313-9 (Double element upper and Single element lower) AP8314-9 (Double element lower)
8.	Cavity Insulation	As Required	AP9184-7
9.	Jacket Access Panel	As Required	AM38409-1C
10.	J-Tube, Hot Outlet	1	AP8877E-12
11.	Nipple, Cold Inlet	1	AP11623F
12.	Shroud	As Required	AP2480-3
13.	Anode Rod	1	(5 Year) SP11309C (10 Year) SP11526C
14.	Snap Bushing	1	AP7733-2

# Residential Replacement Parts List

## 20 – 120 GALLON MODELS: SINGLE AND DOUBLE ELEMENT

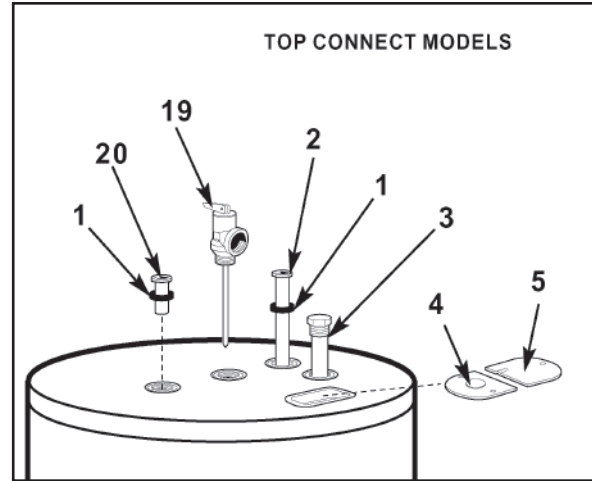
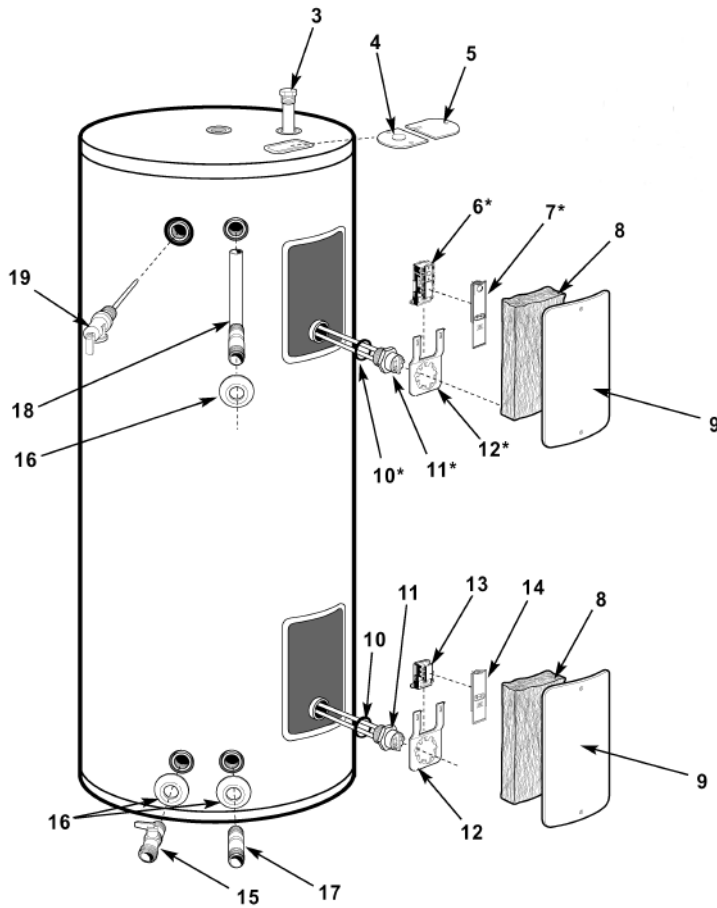


Ref. No.	Part Description	Qty. Req.	Part Number	
1.	Dip Tube Gasket – 3/4"	1	AP6948-3	
2.	Dip Tube – 3/4"	1	SP11248R	
3.	Anode Rod	1	(5 Year, 44") SP11309C (10 Year, 44") SP11526C (10 Year, 58") SP11526Z NLAP	
4.	Plate Cover	1	AM29892	AS29892-2
5.	Junction Box Cover	1	AM29893	AS29893-2
6.	Upper Thermostat (on double element models only)	1	SP11698	
7.	Thermostat Protective Cover (on double element models only)	1	AP8313-9	
8.	Cavity Insulation	2	AP9184-7	
9.	Jacket Access Panel (Rheem Blue)	As Required	AM38409-1C	
10.	Heating Element Gasket	As Required	AP6708-9	
11.	Heating Element	As Required	(240V) SP10552MH (120V) SP10874GH	
12.	Thermostat Bracket	As Required	AS23557-6	
13.	Lower Thermostat	1	(DE) SP11695 (SE-240V) SP11699 (SE120V) SP11700	
14.	Lower Thermostat Protective Cover	1	AP8314-9	
15.	Drain Valve	1	(PVC) SP12039 AP12112G	
16.	Drain Valve Shroud	1	AP2480-3	
17.	Relief Valve	1	(Top) SP12574 (Side) SP8346	
18.	Hot Outlet Heat Trap or Dip Cup Insert (HT Kit)	1	SP20003 or AP12992	



# Residential Replacement Parts List

## 20 – 52 GALLON MODELS: SINGLE AND DOUBLE ELEMENT



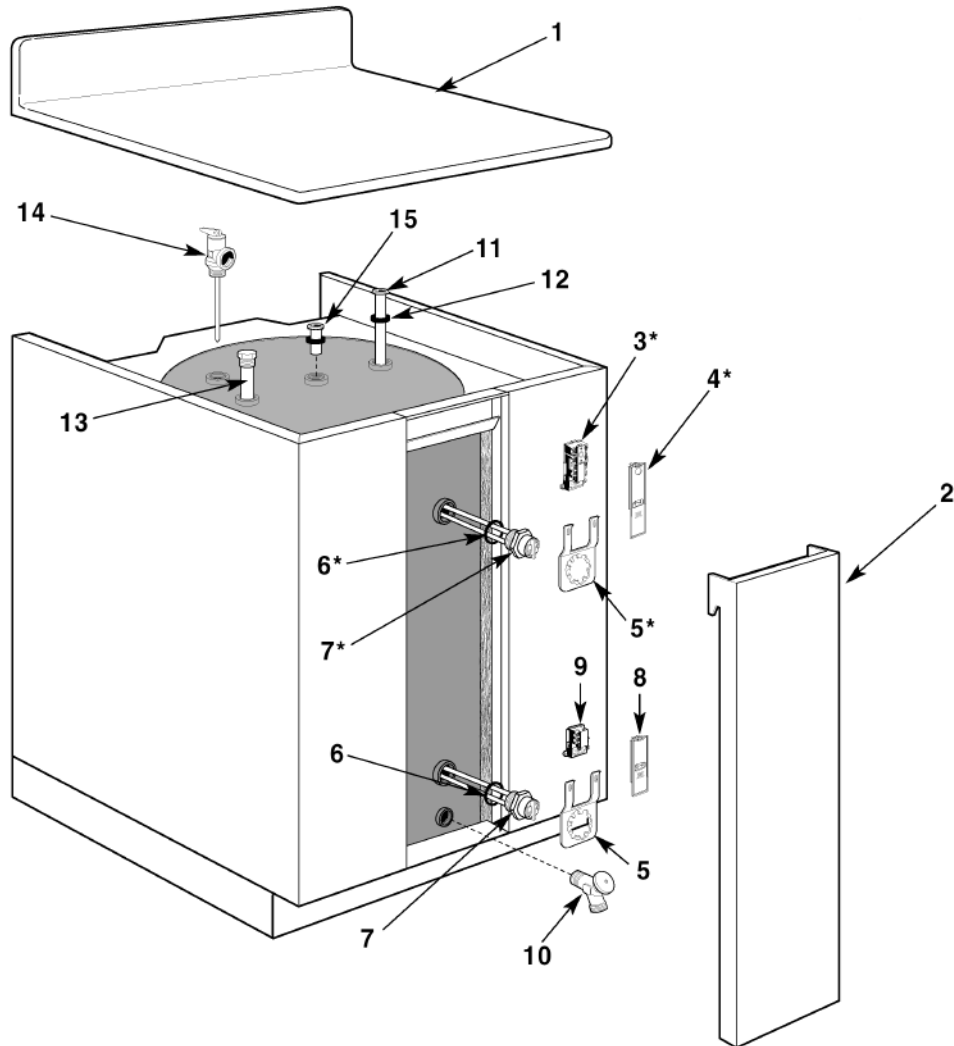
\* These parts are supplied only on double element models.

Ref. No.	Part Description	Qty. Req.	Part Number
1.	Dip Tube Gasket (on top connect models only)	1	AP6948-3
2.	Dip Tube (on top connect models only)	1	SP11248R
3.	Anode Rod	1	SP11309C
4.	Plate Cover (hole)	1	AM29892 AS29892-2
5.	Junction Box Cover (no hole)	1	AM29893 AS29893-2
6.	Upper Thermostat (on double element models only)	1	SP11698
7.	Upper Thermostat Protective Cover (on double element models only)	1	AP8313-9
8.	Cavity Insulation	2	AP9184-7
9.	Jacket Access Panel	As Required	AM38409-1C
10.	Heating Element Gasket	As Required	AP6708-9
11.	Heating Element	As Required	(240V) SP10552MH (120V) SP10874GH
12.	Thermostat Bracket	As Required	AS23557-6
13.	Lower Thermostat	1	(DE) SP11695 (SE-240V) SP11699 (SE120V) SP11700
14.	Lower Thermostat Protective Cover	1	AP8314-9
15.	Drain Valve	1	SP12039
16.	Drain Valve Shroud	As Required	AP2480-3
17.	Cold Inlet Nipple (on side connect models only)	1	AP8397N-8
18.	Hot Outlet Tube (on side connect models only)	1	(71V20S) AP8877K-12 (71V30D) AP8877K-12 (71V40D) AP8877J-12 (71V50D) AP8877J-12
19.	Relief Valve	1	(Top) SP12574 (Side) SP8346
20.	Hot Outlet Heat Trap or Dip Cup Insert	1	AP12992 or SP20003

# Residential Replacement Parts List

---

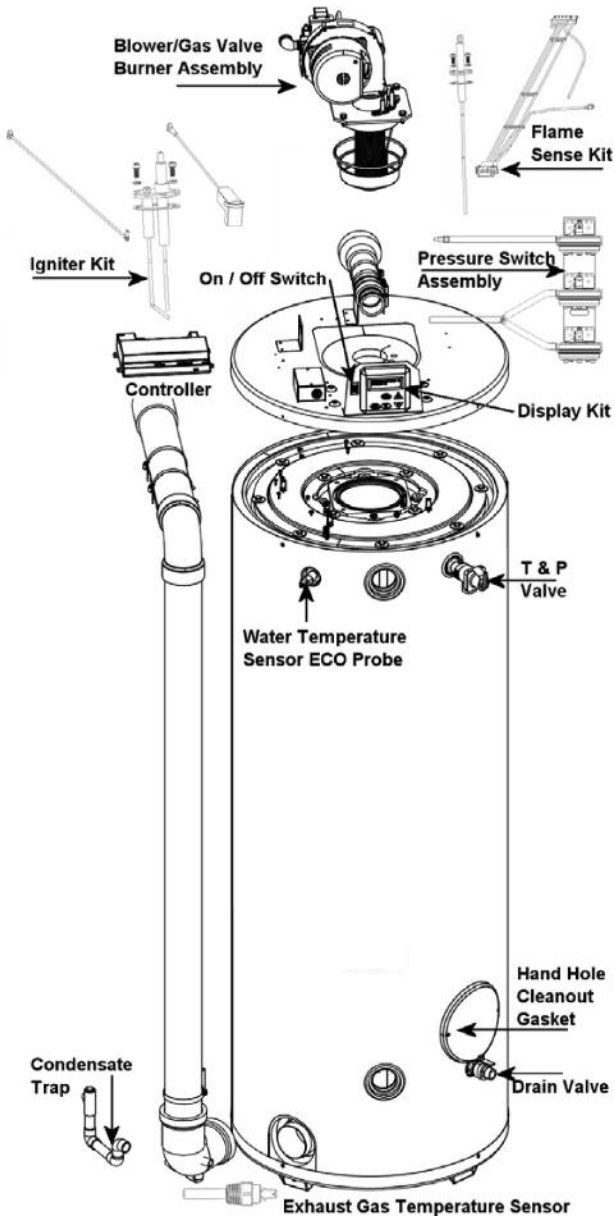
## 40 GALLON TABLE TOP MODELS SINGLE AND DOUBLE ELEMENT



Ref. No.	Part Description	Qty. Req.	Part Number
1.	Splash Top	1	AP14549
2.	Front Center Panel	1	AM28677-A
3.	Upper Thermostat (on double element models only)	1	SP11698
4.	Upper Thermostat Protective Cover (on double element models only)	1	AP8313-9
5.	Thermostat Bracket	As Required	AM23557
6.	Heating Element Gasket	As Required	AP6708-9
7.	Heating Element	As Required	SP10552MH
8.	Lower Thermostat Protective Cover	1	AP8314-9
9.	Lower Thermostat	1	(DE) SP11695 (SE) SP11699
10.	Drain Valve	1	SP12112L
11.	Dip Tube	1	SP11248P
12.	Dip Tube Gasket	2	AP6948-3
13.	Anode	1	AP11525V
14.	Relief Valve	1	SP12574
15.	Hot Outlet Heat Trap or Dip Cup Insert (Kit)	1	SP20003

# Commercial Replacement Parts List

## ULTRA HIGH EFFICIENCY COMMERCIAL GAS

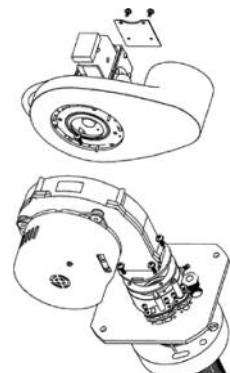


Ref. No.	Part Description	Part Number
1.	Ignited – Direct Spark Kit	SP20258
2.	Flame Sensor Rod Kit	SP20259
3.	Temperature Sensor – Water & ECO	AP14074
4.	Flue Sensor – Exhaust Temperature	AP14280
5.	Control Board – Argus	AP14023
6.	Display Board Kit – Argus	AP20260
7.	Condensate Trap	AP14685
8.	Drain Valve 3/4 Inch NPT	AP12231B-1
9.	Temperature and Pressure Relief Valve – 130 to 199K	AP9013D
	Temperature and Pressure Relief Valve – 250 to 400K	AP9012B
10.	ON/OFF Switch	AP12767
11.	Hand Hole Cleanout Gasket	SP5886
12.	Pressure Switch Assy w/Tubing and Mounting Bracket	--
	Pressure Switch Assembly GHE 130 – Green	Call For Application
	Pressure Switch Assembly GHE 160 – Yellow	
	Pressure Switch Assembly GHE 200 – Blue	
	Pressure Switch Assembly GHE 250 – Orange	
	Pressure Switch Assembly GHE 300 – Red	
	Pressure Switch Assembly GHE 350 – Brown	
13.	GHE Burner Assy Kit *See below for kit contents	--
	*GHE Burner Assy Kit 130-160K LP	Call For Application
	*GHE Burner Assy Kit 130-160K Natural	
	*GHE Burner Assy Kit 200K LP	
	*GHE Burner Assy Kit 200K Natural	
	*GHE Burner Assy Kit 250K LP	
	*GHE Burner Assy Kit 250K Natural	
	*GHE Burner Assy Kit 300-350K LP	
	*GHE Burner Assy Kit 300-350K Natural	
14.	Harness – Display Jumper	AP14758
15.	Harness – GHE Main Control	AP14092
16.	Harness – GHE Blower Control	AP14157
17.	Harness – GHE Main Power	AP14158
18.	Harness – GHE Gas Valve	AP14159
19.	Harness – GHE Igniter Cable w/1k Ohm Resistor	AP15294
20.	Harness – Ground Wire	AP15261
--	UL Sanitation Kit for NSF Compliance	AS42690
--	Concentric Vent Kit	***

\*\*\* Call for Application

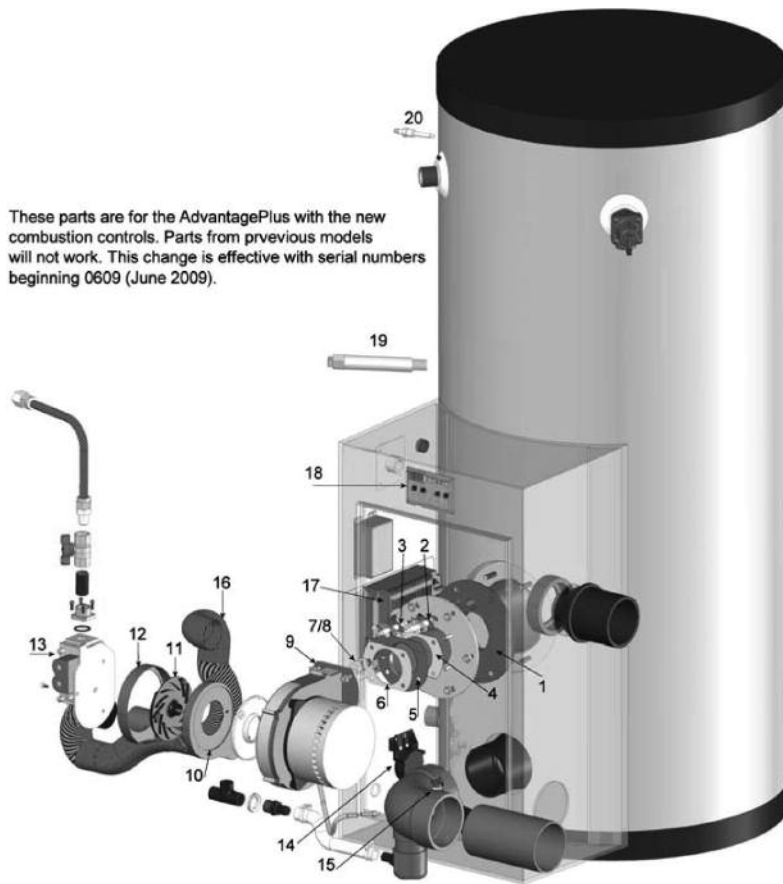
\*Complete burner assemblies consist of the following components:

- Blower
- Ignitor
- Flame Probe
- Burner with Mesh
- Sight Glass
- Gas Valve
- Gaskets & O-Rings
- Wiring Harness'
- Screws



# Commercial Replacement Parts List

## ADVANTAGE PLUS

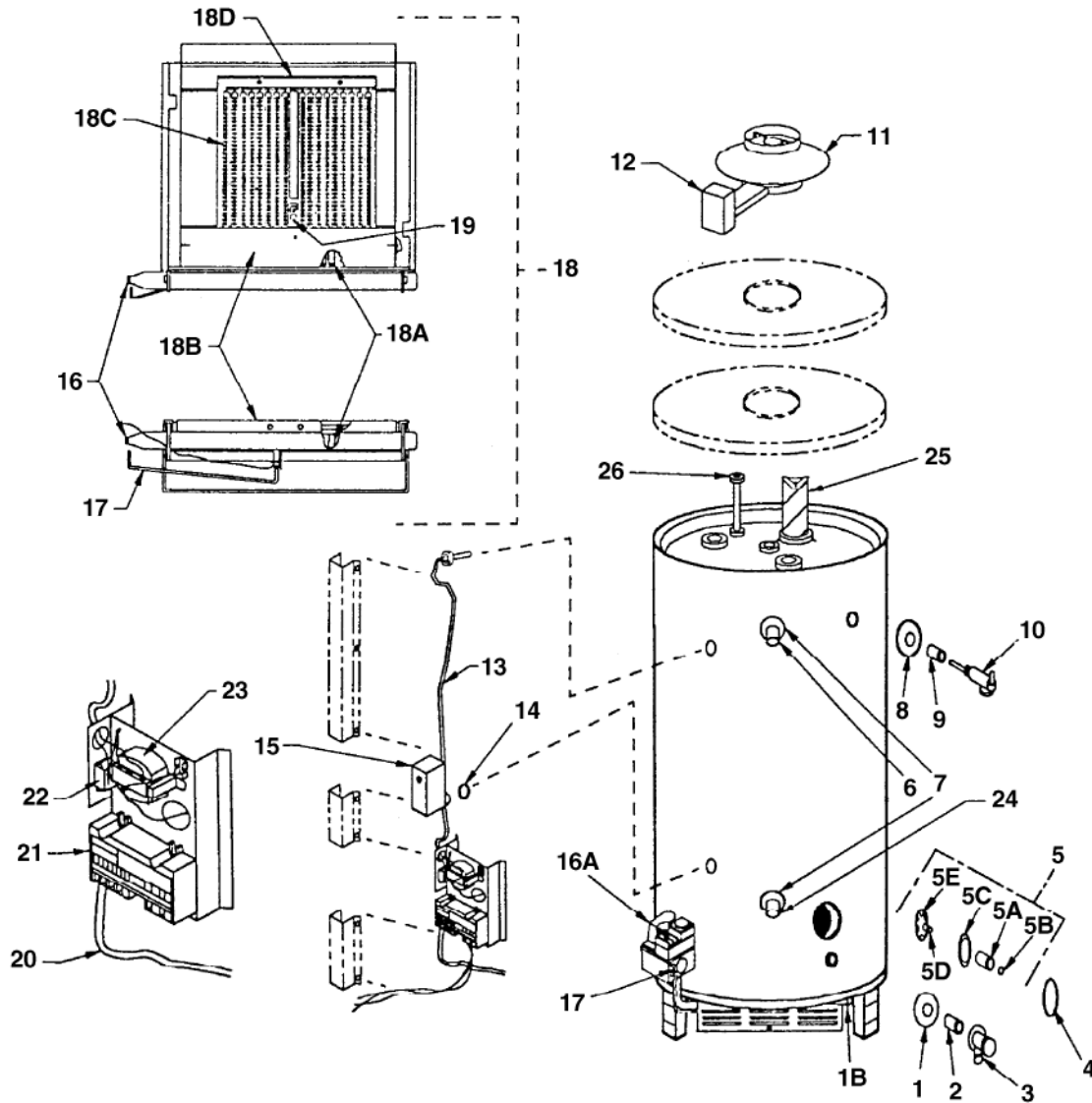


Ref. No.	Part Description	Part Number
1.	Gasket – Burner Mounting Flange	SP15138
2.	Igniter w/ Gasket and Mounting Screw – Natural	SP15128
	Igniter w/ Gasket and Mounting Screw – Propane	SP15134
3.	Flame Sensor w/ Gasket and Mounting Screw	SP15129
4.	Gasket – Burner / Blower	SP15239
5.	Burner w/ Gasket – 130k btu or less	SP15126
	Burner w/ Gasket – Greater than 130k btu	SP15127
6.	Gasket – Burner / Mounting Plate	SP15139
7.	Gasket, Sight Glass	SP15152
8.	Sight Glass with Gaskets	SP15136
9.	Combustion Blower w/ Gasket	SP15130
10.	Air Intake Adapter – Blower Side	SP15158
11.	Swirl Plate – 130k btu or less	SP15155
	Swirl Plate – Greater than 130k btu	SP15156
12.	Air Intake Adapter – Valve Side	SP15157
13.	Gas Valve Assembly – 130k btu or less	SP15131
	Gas Valve Assembly – Greater than 130k btu	SP15132
14.	Pressure Switch	SP12140
15.	Over Temp. Switch – Outlet	SP12149
16.	Tube – Air Inlet	SP15137

Ref. No.	Part Description	Part Number
17.	926 Main Control Board – 160°F. 130k	SP15133A
	926 Main Control Board – 160°F. 160k	SP15133B
	926 Main Control Board – 160°F. 199k	SP15133C
	926 Main Control Board – 160°F. 100k	SP15133D
	926 Main Control Board – 180°F. 160k	SP15133E
	926 Main Control Board – 180°F. 199k	SP15133F
18.	Control Board Display	SP15153
19.	ECO / Temperature Probe	SP12142
20.	Low Water Cut-off	SP15140
	<b>Parts not Shown</b>	
NS	Low Voltage 24V Cable	SP15183
NS	Line Cable 120V	SP15184
NS	Gas Conversion Kit – Propane to Nat. Kit	SP15159
NS	Gas Conversion Kit – Nat. to Propane	SP15160
NS	Use and Care Manual	AP15135
NS	Concentric Vent Kit – 3 Inch	SP20245
NS	Aluminum Outside Vent Kit	SP12162
NS	Neutralizer, Condensate	SP12151
NS	Mesh Screen for 3" Pipe	SP12163
NS	Model 450 CO Meter (used for installation setup)	AP12516

# Commercial Replacement Parts List

## UNIVERSAL SPARK IGNITION: NATURAL OR LP GAS



Ref. No.	Part Description	Qty. Req.	Part Number
1.	Drain Valve Bushing	1	AP7733-2
2.	Drain Valve Nipple	1	
3.	Drain Valve	1	AP12231B-1
4.	Jacket Handhole Cover	1	AM3459-H
5.	Tank Handhole Assembly	1	SP22079
5A.	Yoke	1	AS24346-1
5B.	Nut	1	AP2247-1
5C.	Gasket	1	AP5886-1
5D.	Stud	1	AP5983-2
5E.	Seal Plate	1	AS22078-2
6.	Outlet Nipple Assembly	1	call for size
7.	Inlet/Outlet Bushing	2	AP12421
8.	Relief Valve Bushing	1	AP9078
9.	Relief Valve Nipple	1	
10.	Relief Valve	1	SP9013D
11.	Auto-Vent Damper Assembly	1	***
12.	Damper Motor	1	AP11617-1
13.	Damper Drive Wiring	1	AP11314C-3
14.	T'stat/T'well Bushing	1	AP9078-1

Ref. No.	Part Description	Qty. Req.	Part Number
15.	Thermostat Hi-Limit	1	SP11798B
16.	Gas Manifold Assembly	1	
16A.	Gas Valve (NAT)	1	SP10963D
16A.	Gas Valve (LP)	1	SP10963E
17.	Pilot Tube (straight)	1	AP7033L-14
18.	Gas Manifold Assembly	1	Sold as burner tray assembly Call for application
18A.	Burner Orifice	1	
18B.	Burner Bracket (front)	1	
18C.	Burner	1	
18D.	Burner Bracket (rear)	1	
19.	Pilot (NAT)	1	SP10764B
19.	Pilot (LP)	1	SP10764C
20.	Ignition Cable	1	SP8828D
21.	Ignition Control	1	SP10763C
22.	On/Off Switch	1	AP8825
23.	Transformer	1	SP10550B
24.	Inlet Nipple	1	call for size
25.	Flue Baffle & Hanger	1	***
26.	Anode	As Required	AP11524C

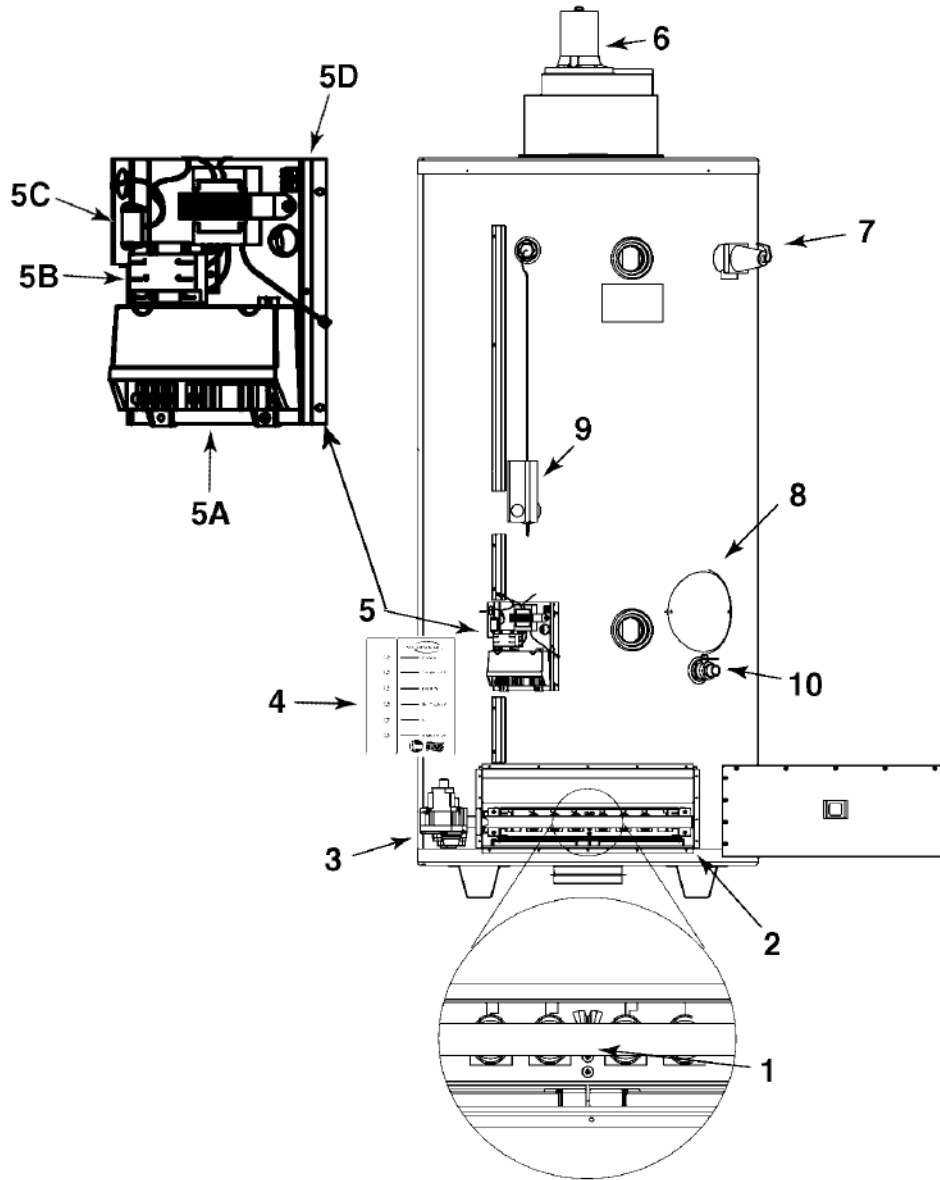
\*\*\*Call for application

\*\*\*Call for application

# Commercial Replacement Parts List

---

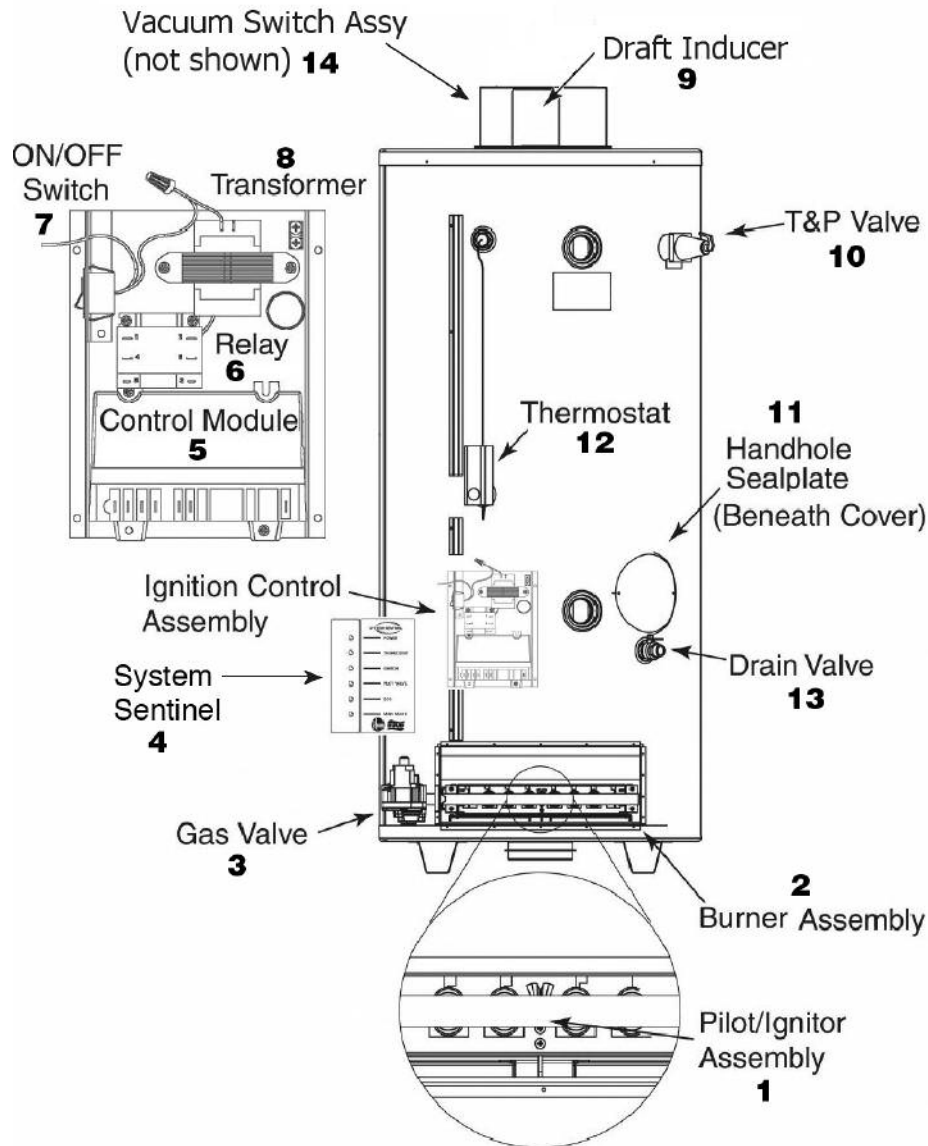
## VENTMASTER COMMERCIAL GAS MODEL



Ref. No.	Part Description	Qty. Req.	Part Number	
1.	Pilot Ignitor Assembly	1	SP13185	
2.	Burner Assembly	1	Call for Quote	
3.	Gas Valve	1	SP13714	
4.	System Sentinel Panel	1	AM38875	
5.	Ignition Control Assembly	1	AM40782	
5A.	Control Module	1	SP10763C	
5B.	Relay	1	SP12732	
5C.	On/Off Switch	1	AP8825	
5D.	Transformer	1	SP10550B	
6.	Blower Assembly	1	AP13192	
7.	Temperature & Pressure Relief Valve	1	SP9013D	
8.	Hand Hole Cover Gasket	1	AP5886-1	
9.	Thermostat	1	SP11798	
10.	Drain Valve	1	AP12231B-1	

# Commercial Replacement Parts List

## INDUCED DRAFT



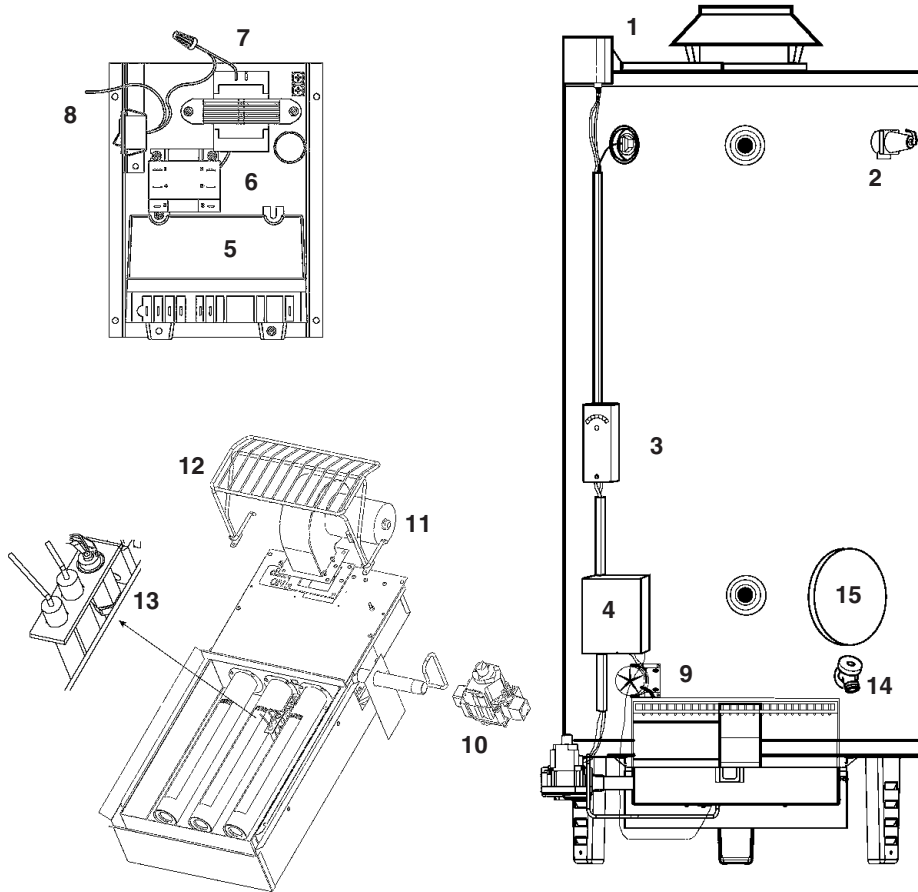
Ref. No.	Part Description	Qty. Req.	Part Number	
1	Pilot Ignitor Assembly	1	AP13185	
2	Burner Assy; 250, 270, 310, 360 kBTU	1	Call for Quote	
3	Gas Valve	1	SP10963D (NG)	
4	System Sentinel Panel	1	AM38875	
5	Control Module	1	SP10763C	
6	Relay	1	SP12732	
7	ON/OFF Switch	1	AP8825	
8	Transformer	1	SP10550B	
9	Draft Inducer 250 kBTU - Natural or LP; and 270 kBTU - Natural or LP	1	AP1300-2	
	Draft Inducer 310 kBTU; Natural		AP13801-2	
	Draft Inducer 310 kBTU - LP; and 360 kBTU; Natural or LP		AP13802-2	
10	Temperature & Pressure Relief Valve	1	AP12323-1	
11	Hand Hole Cover Gasket	1	AP5886-1	
12	Thermostat	1	SP11798B (NG)	
13	Drain Valve	1	AP12231B-1	
14	Vacuum Switch Assy	1	SP13989	



# Commercial Replacement Parts List

---

## LOW NOX COMMERCIAL GAS MODEL

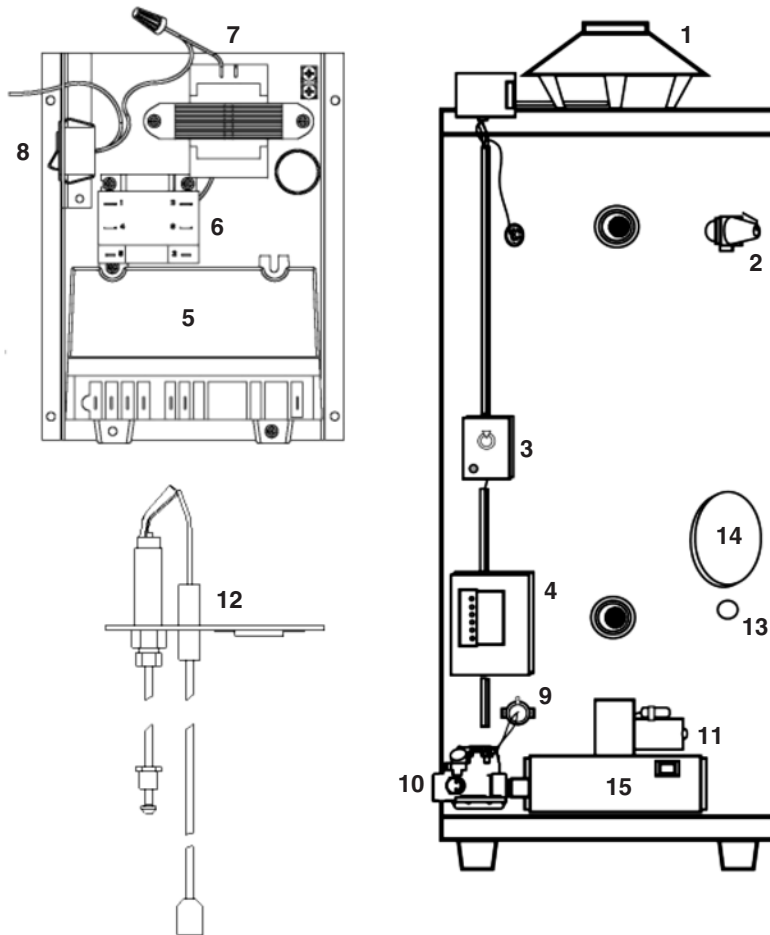


Ref. No.	Part Description	Qty. Req.	Part Number	
1.	Vent Damper Assembly	1	Call for quote	
	Damper Drive Motor	-	SP11617 (NG)	
2.	Temperature & Pressure Relief Valve	1	BTU Dependent	
3.	Thermostat Hi-Limit	1	SP11798B	
4.	System Sentinel Panel	1	AM38875	
5.	Ignition Control	1	SP10763C	
6.	Relay	1	SP12732	
7.	Transformer	1	SP10550B	
8.	On/Off Switch	1	AP8825	
9.	Pressure Switch	1	BTU Dependent	
10.	Gas Valve (NAT)	1	SP12541B	
	Gas Valve (NAT 400,000 BTU Only)	-	SP12543	
11.	Blower Motor	1	BTU Dependent	
12.	Blower Motor Protection Cage	1	AP12712	
13.	Pilot Ignitor (NAT 200K and below)	1	AS39758	
	Pilot Ignitor (NAT above 200K)	-	AM40023	
14.	Drain Valve	1	AP12231B-1	
15.	Hand Hole Gasket	1	AP5886-1	

# Commercial Replacement Parts List

---

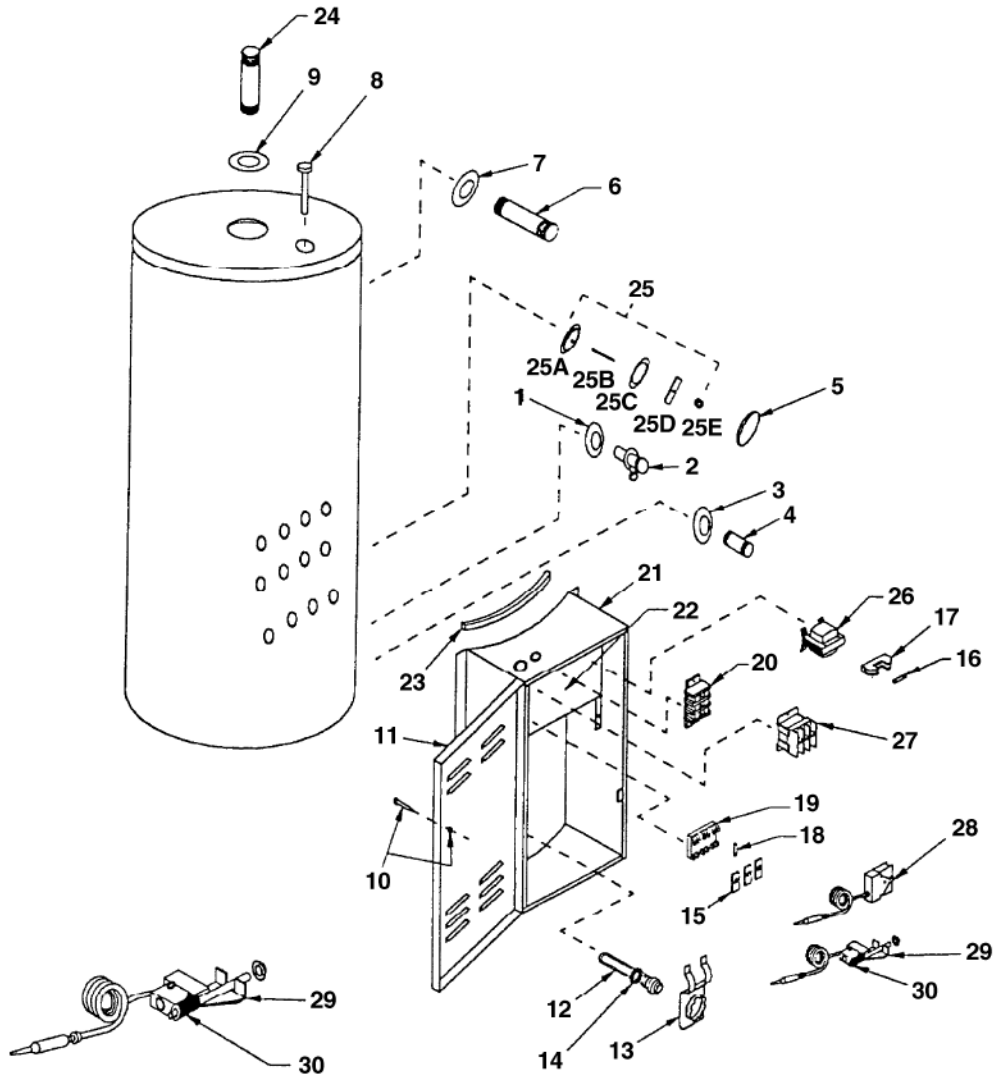
## XTREME COMMERCIAL GAS MODEL



Ref. No.	Part Description	Qty. Req.	Part Number	
1.	Vent Damper Assembly	1	AP13156	
2.	Temperature & Pressure Relief Valve	1	BTU Dependent	
3.	Thermostat Hi-Limit	1	AP12015-1	
4.	System Sentinel Panel	1	AM38875	
5.	Ignition Control	1	SP10763C	
6.	Relay	1	SP12732	
7.	Transformer	1	SP10550B	
8.	On/Off Switch	1	AP8825	
9.	Pressure Switch	1	SP12576C	
10.	Gas Valve (NAT)	1	SP12866N	
	Gas Valve (LP)	1	SP12866P	
11.	Blower Motor	1	SP12525	
-	Blower Motor Protection Cage	1	AP13017	
12.	Pilot Ignitor (NAT)	1	SP12237	
	Pilot Ignitor (LP)	1	SP12305	
13.	Drain Valve	1	AP12231B-1	
14.	Hand Hole Gasket	1	AP5886-1	
15.	Burner Assembly	1	Call for quote	

# Commercial Replacement Parts List

## 208, 240, 277 OR 480 VOLT OPERATION – 50, 85, 120 GALLON MODELS: IMMERSION THERMOSTAT

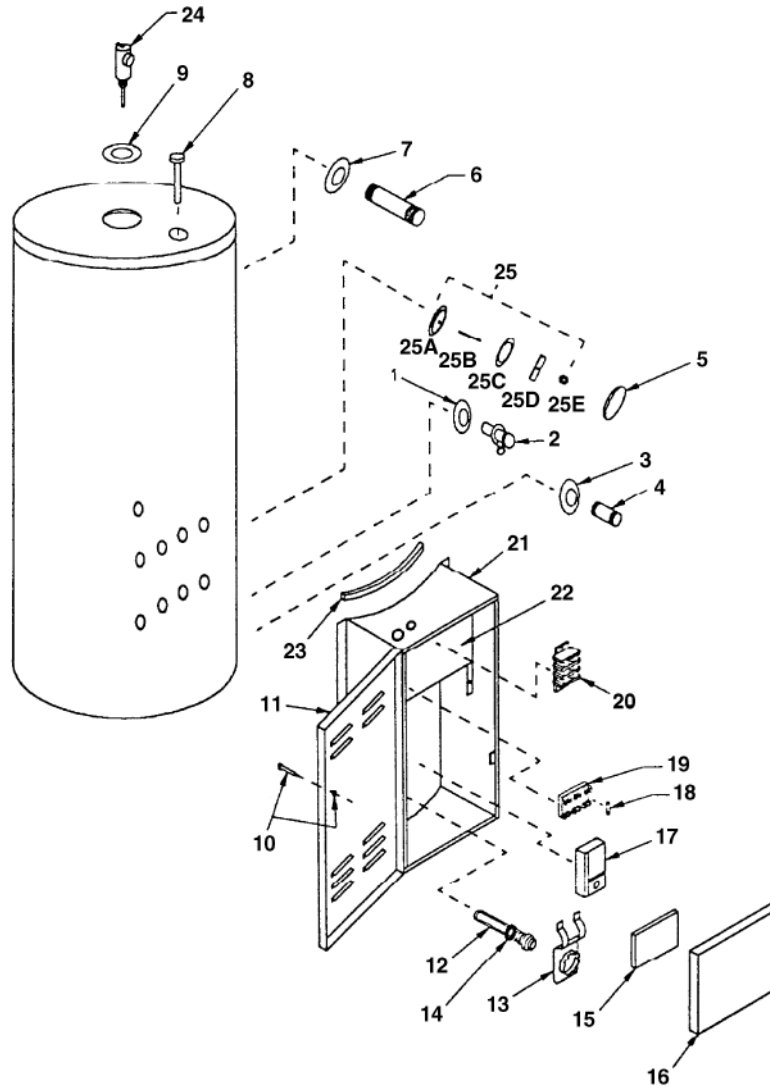


Ref. No.	Part Description	Qty. Req.	Part Number
1.	Drain Valve Shroud	1	AP7733-2
2.	Drain Valve	1	AP12231C-1
3.	Inlet Nipple Shroud	1	AP12421
4.	Inlet Nipple	1	AP11179B
5.	Jacket Handhole Cover	1	AM3459-H
6.	Outlet Nipple	1	AP11179C
7.	Outlet Nipple Shroud	1	AP12421
8.	Anode	1	SP11524C
9.	T&P Valve Shroud	1	AP7733-2
10.	Captive Screw with Retainer	1	AP8162B-1 AP8162-1
11.	Door	1	
12.	Element	As Required	
13.	Thermostat Retainer	1	
14.	Element Gasket	As Required	AP6708-9
15.	Copper Connectors	3	AM25285
16.	Transformer Fuse	1	SP8264R
17.	Transformer Fuse Block	1	SP8889
18.	Fuse (goes with SP8311E)	3	SP8264M
	Fuse (goes with SP11112)	3	SP8264K

Ref. No.	Part Description	Qty. Req.	Part Number
19.	Fuse Block	1	SP8311E
	Fuse Block (36, 45 & 54 KW)	1	SP11112
20.	Terminal Block	1	SP10260
21.	Control Encl Frame	1	
22.	Controls Mount Panel	1	
23.	Seal Strip	1	
24.	Outlet Nipple	1	AP11179C
25.	Handhole Assembly	1	SP22079
25A.	Seal Plate	1	AS22078-2
25B.	Stud	1	AP5983-2
25C.	Handhole Gasket	1	AP5886-1
25D.	Yoke	1	AS24346-1
25E.	Nut	1	AP2247-1
26.	Transformer	1	SP10006
27.	Contactor	1	SP12841
28.	Limit	1	
29.	Thermostat Bracket	1	
30.	Thermostat	1	SP11805
31.	Relief Valve N/S	1	SP9013E

# Commercial Replacement Parts List

## 208, 240, 277 OR 480 VOLT OPERATION – 50, 85, AND 120 GALLON MODELS: SURFACE MOUNTED THERMOSTAT



Ref. No.	Part Description	Qty. Req.	Part Number
1.	Drain Valve Shroud	1	AP7733-2
2.	Drain Valve	1	AP12231C-1
3.	Inlet Nipple Shroud	1	AP12421
4.	Inlet Nipple	1	AP11179B
5.	Jacket Handhole Cover	1	AM3459-H
6.	Outlet Nipple	1	AP11179C
7.	Outlet Nipple Shroud	1	AP12421
8.	Anode Assembly	1	SP11524C
9.	T&P Valve Shroud	1	AP7733-2
10.	Captive Screw with Retainer	1	AP8162B-1 AP8162-1
11.	Door	1	
12.	Element	As Required	
13.	Thermostat Retainer	1	AM23557
14.	Element Gasket	As Required	AP6708-9
15.	Insulation - Controls	1	
16.	Insulation - Controls	1	

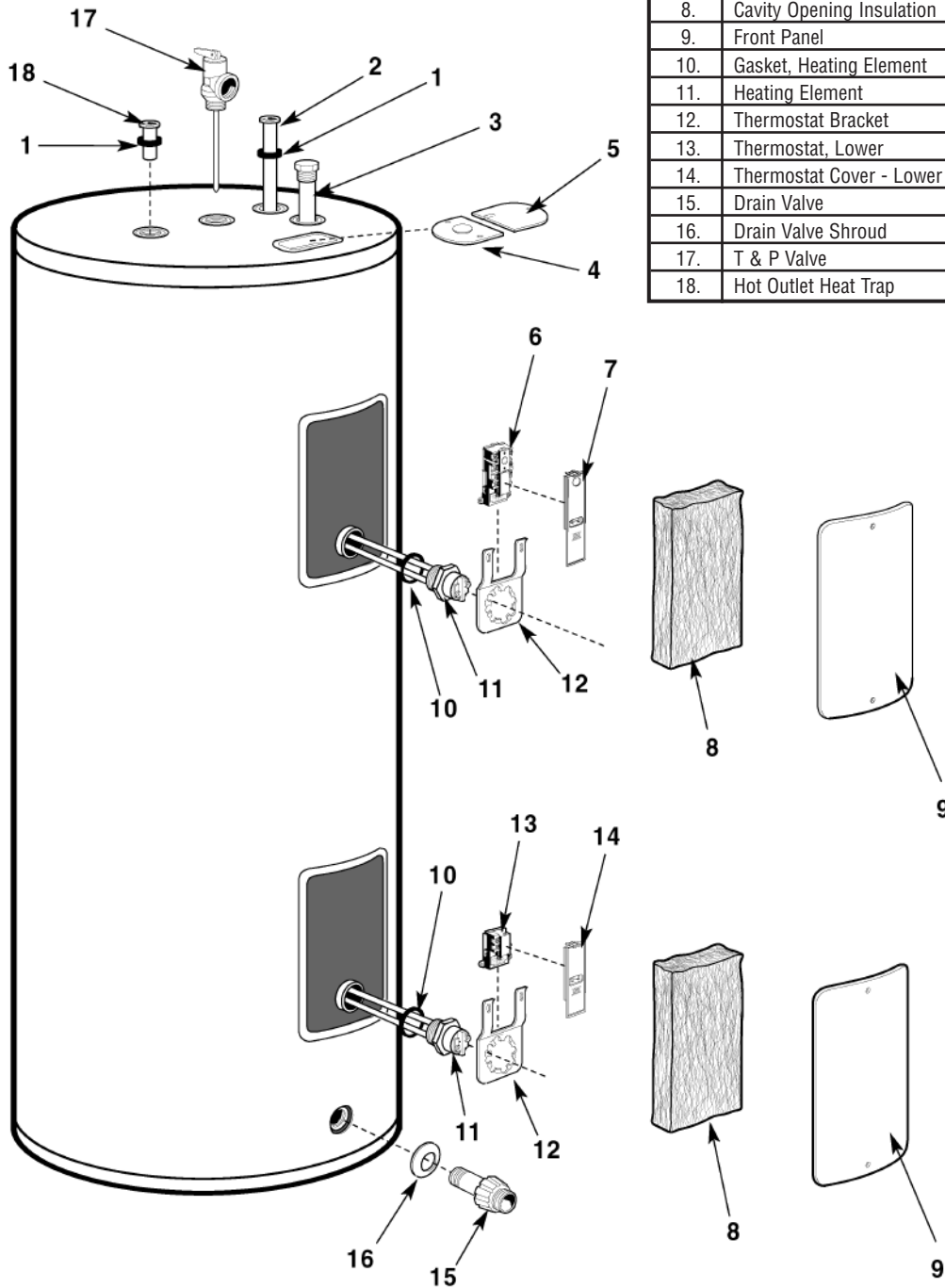
Ref. No.	Part Description	Qty. Req.	Part Number
17.	Thermostat	1	AP11231-2
18.	Fuse (goes with SP8311E)	3	SP8264M
	Fuse (goes with SP11112)	3	SP8264K
19.	Fuse Block	1	SP8311E
	Fuse Block (36, 45 & 54 KW)	1	SP11112
20.	Terminal Block	1	SP10260
21.	Control Encl Frame	1	
22.	Controls Mount Panel	1	
23.	Seal Strip	1	
24.	Relief Valve	1	SP9013E
25.	Handhole Assembly	1	SP22079
25A.	Seal Plate	1	AS22078-2
25B.	Stud	1	AP5983-2
25C.	Handhole Gasket	1	AP5886-1
25D.	Yoke	1	AS24346-1
25E.	Nut	1	AP2247-1

# Commercial Replacement Parts List

---

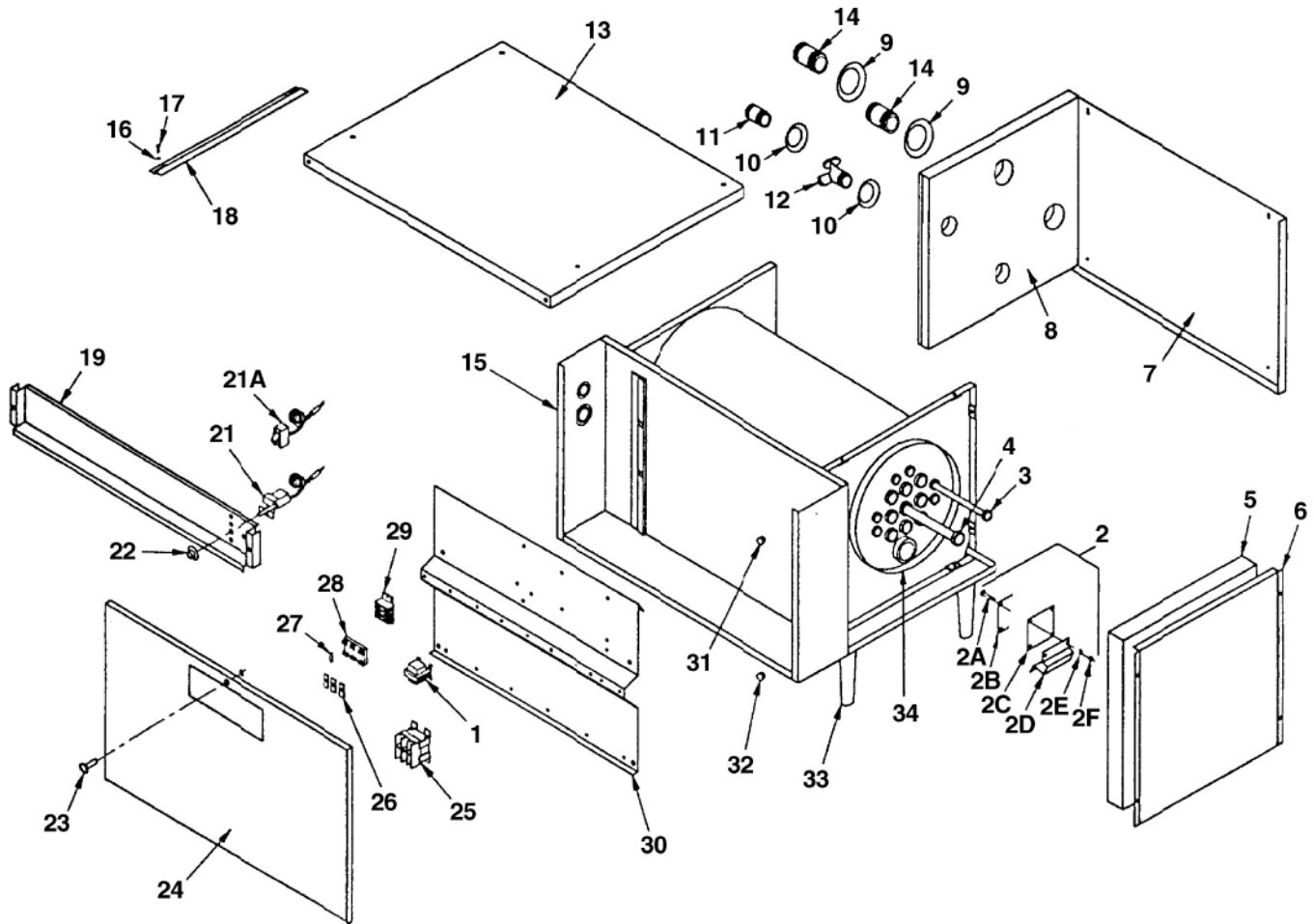
## ELECTRIC LIGHT DUTY (ELD) SERIES

Ref. No.	Part Description	Qty. Req.	Part Number
1.	Gasket	1	AP6948-3
2.	Diptube	1	SP11251R
3.	Anode	1	SP11526C
4.	Field Connect Plate	1	AS29892-2
5.	Junction Box Cover	1	AS29893-2
6.	Thermostat, Upper	1	SP8293
7.	Thermostat Cover - Upper	1	AP8313-9
8.	Cavity Opening Insulation	1	AP9184-7
9.	Front Panel	2	AM38409-1C
10.	Gasket, Heating Element	1	AP6708-9
11.	Heating Element	2	SP10552ML
12.	Thermostat Bracket	1	AS23557-6
13.	Thermostat, Lower	1	SP8295
14.	Thermostat Cover - Lower	1	AP8314-9
15.	Drain Valve	1	SP12112S
16.	Drain Valve Shroud	1	AP9167
17.	T & P Valve	1	
18.	Hot Outlet Heat Trap	1	SP20003 (kit)



# Commercial Replacement Parts List

## 208, 240, 277 OR 480 VOLT OPERATION: 10 GALLON BOOSTER MODELS



Ref. No.	Part Description	Qty. Req.	Part Number
1.	Transformer	1	SP10006
2.	Cleanout Assembly	1	
2A.	Bolt	1	
2B.	Gasket	1	
2C.	Cover	1	
2D.	Tank Holddown Bracket	1	
2E.	Lock Washer	1	
2F.	Nut	1	
3.	Anode Assembly	1	SP11524C
4.	Element	1	
5.	Element Insulation	1	
6.	Side Panel	1	
7.	Side & Back Panel	1	
8.	Inlet-Outlet Insulation	1	
9.	Shroud	2	AP9167
10.	Shroud	2	AP6334-1
11.	Nipple 3/4 inch NPT	1	AP508C-8
12.	Drain Valve	1	SP6070G
13.	Top Pan		
14.	Nipple 1-1/4 inch NPT	2	AP12012B
15.	Assembly - bottom tank supports & enclosure	1	
16.	Washer	1	

Ref. No.	Part Description	Qty. Req.	Part Number
17.	Cap Screw	1	
18.	Support Bracket	1	
19.	Upper Control Panel	1	
20.	Thermostat	1	SP8260
21.	Limit	1	SP5411
22.	Thermostat Dial	1	AP8339
23.	Captive Screw	1	AP8162B-1 AP8162-1
24.	Front Door	1	
25.	Contactors	1	SP12841
26.	Copper Connector	1	AM25285
27.	Element Fuse	1	SP8264M SP8264K
28.	Element Fuse Block	1	SP8311E SP11112
29.	Terminal Block	1	SP10127
30.	Control Mounting Panel	1	
31.	Snap Bushing	1	AP5316B-4
32.	Snap Bushing	1	AP5316C-4
33.	Leg	4	AP7803
34.	Rubber Channel	1	AP7475D-5
35.	Relief Valve (not shown)	1	AP9013E-3