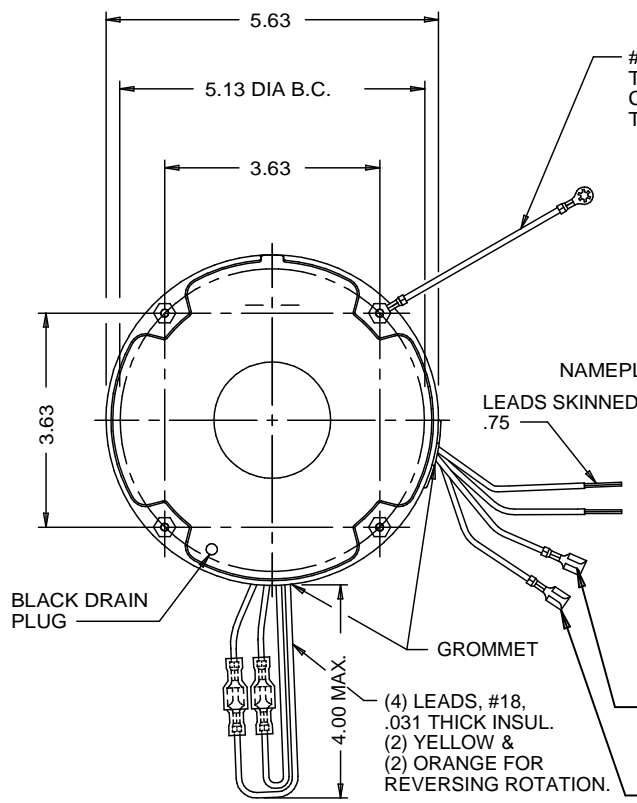
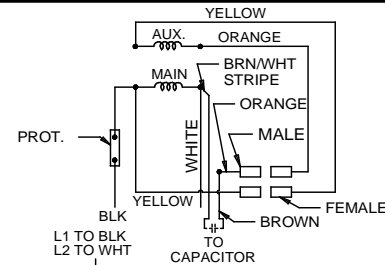
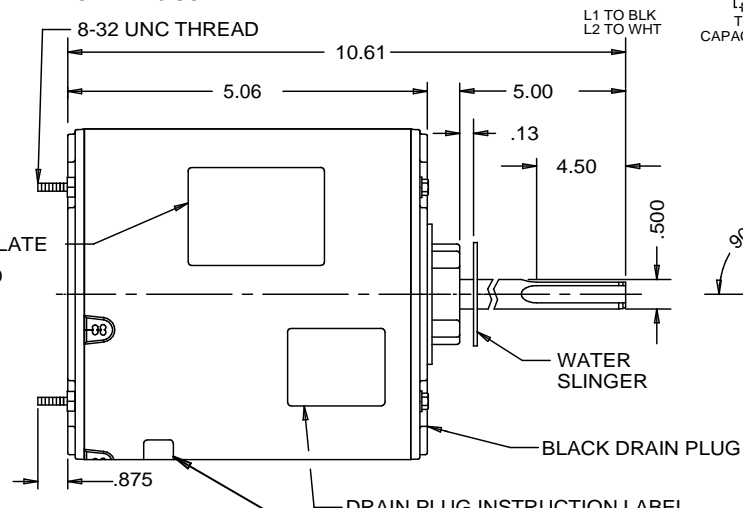


ROTATION IS C.CW VIEWING LEAD END WITH
 ORG. TO ORG. & YEL. TO YEL. TO REVERSE
 ROTATION INTERCHANGE ORG. & YEL. LEADS



#16 GRN/YEL GROUND LEAD
 TO BE 12.00 BETWEEN
 CENTERS OF TERMS.
 TERM. TO FIT #10 SCREW



(2) .25 STRAIGHT TYPE Q.C.
 TERMS. WITH INSUL. GRIP ON
 BROWN AND BRN/WHT STRIPE LEADS.
 4 LEADS, #18, .062 THICK INSUL.
 TO EXTEND BEYOND MOTOR
 BLACK=30.000 +2-0, WHITE=30.000 +2-0,
 BROWN=30.000 +2-0, BRN/WHT STRIPE=30.000 +2-0

WARNING LABEL TO BE
 ADJACENT TO REVERSING
 LEADS.

TOTALLY ENCLOSED
 USE WITH 5.0 MFD
 370-VAC CAPACITOR

NIDEC MOTOR CORPORATION 11-Oct-12

MODEL	REF	CUSTOMER	HP	VOLTS	AMPS	HZ	RPM	ROTATION	CUSTOMER PN
K55HXTFS-8717	-	STANDARD	1/2	208-230	3.0	60	1625	CCW LEAD END REV	1892

SHEET NUMBER	REV	REVISION RECORD FOR: C6405-00
1 OF 1	E	UPDATED ENGINEER APPROVED TO B. GAITAN
REVISION DATE		
11-OCT-12		

INFORMATION DISCLOSED ON THIS DOCUMENT
 IS CONSIDERED PROPRIETARY AND SHALL NOT BE
 REPRODUCED OR DISCLOSED WITHOUT WRITTEN
 CONSENT OF NIDEC MOTOR CORPORATION

NIDEC MOTOR CORPORATION

ISSUED BY	REVIEWED BY	ENGINEER APPROVED	TITLE	CODE	ITEM NO.	SIZE
R. MORALES	M. LARGENT	B. GAITAN	ASSEMBLED VIEW	V01	728768	A

V01_NMCA (MAR-2011)

SOLIDEDGE