



Replacement Parts List No. 55202700  
Revision B 09/2015



**McQuay**  
**Climate Control**  
**Singer**

## Incremental Comfort Systems

**K, EK, MQP**  
**06, 09, 11, 14**  
**Vintage H**

Last Manufactured: 1999

# Contents

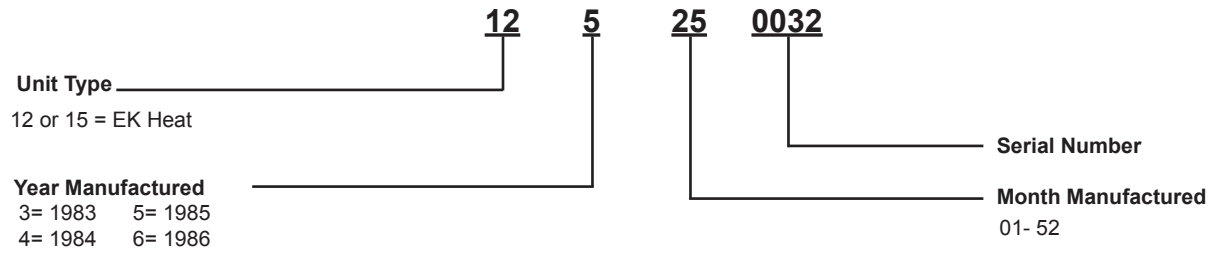
Parts List Revision History.....	3
Nomenclature	
Serial Number .....	4
K Unit: Model Number and Catalog Numbers.....	5
EK Unit: Model Number and Catalog Numbers .....	6
Unit Assembly	
Diagram .....	7
Condenser Components .....	8 - 10
Heat Section Components .....	11
Control Section Components .....	12
Miscellaneous Components .....	13
Critical Parts List.....	CPL1

# Parts List Revision History

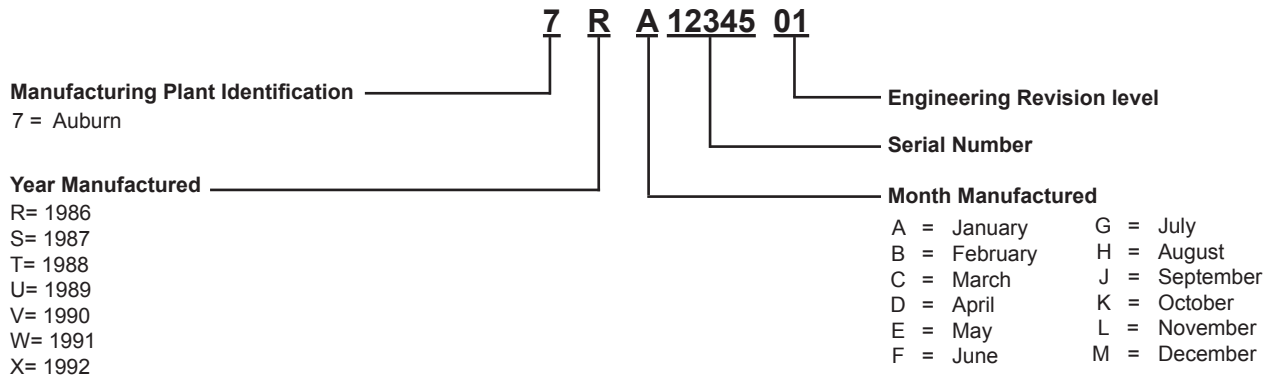
Revision	Date	Description
NEW	02/90	Cut and paste version
-	09/95	Electronic version
A	09/05	Added Revision History page and footers. Page 12 (old pg 11) - Key 31-Thermostat knob part number was missing.
B	09/15	All Page- Update to Daikin format. Delete sheet metal, update diagram & add footnote #1. CPL1- Add Critical Parts List.

# Nomenclature

## Serial Number (1983 thru May, 1986)

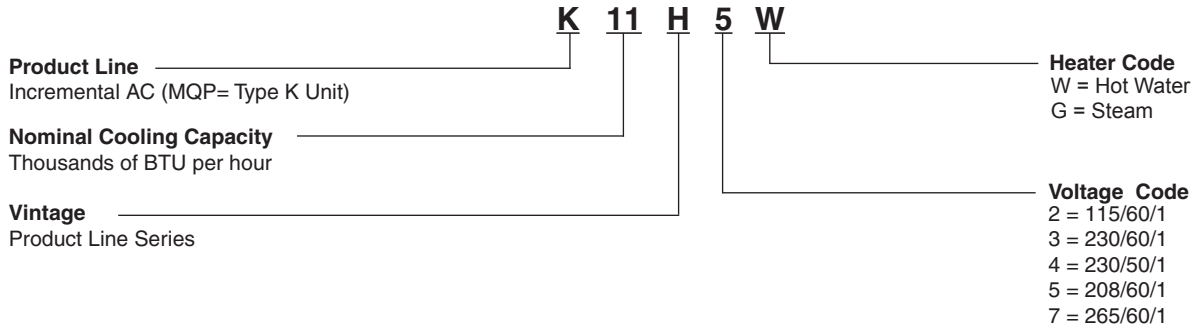


## Serial Number (May, 1986 and later)



# Nomenclature

## K Unit: Model Number



### Standard Heat Section Catalog Numbers

Description	Basic Model	Steam			Hot Water		
		208V	230V	265V	208V	230V	265V
Opposite End Piping connections with Control Valve Mounted on Left	K6	829007428	829007432	829007436	829007440	829007444	829007448
	K9	829007429	829007433	829007437	829007441	829007445	829007449
	K11	829007430	829007434	829007438	829007442	829007446	829007450
	K14	829007431	829007435	829007439	829007443	829007447	829007451

### Optional Heat Section Catalog Numbers

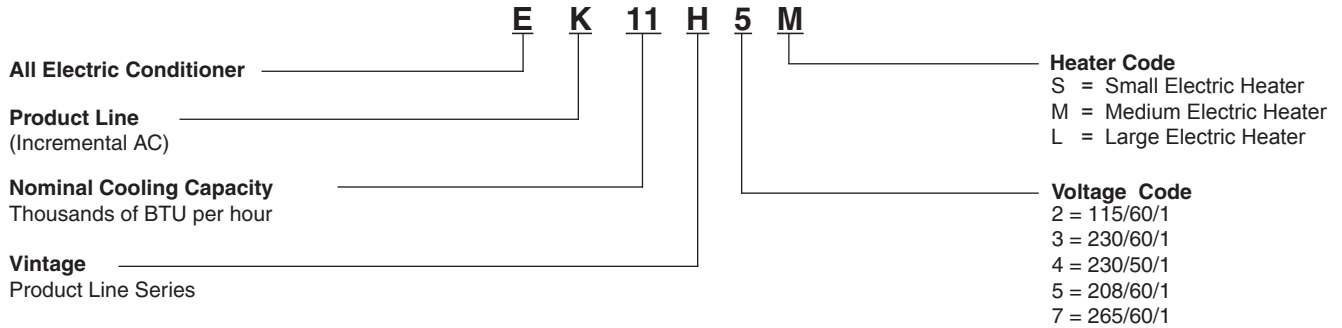
Description	Basic Model	Steam			Hot Water		
		208V	230V	265V	208V	230V	265V
Left End Piping connections with Control Valve Mounted on Left	K6	829007452	829007456	829007460	829007464	829007468	829007472
	K9	829007453	829007457	829007461	829007465	829007469	829007473
	K11	829007454	829007458	829007462	829007466	829007470	829007474
	K14	829007455	829007459	829007463	829007467	829007471	829007475
Opposite End Piping connections with Control Valve Mounted on Right	K6	829007476	829007480	829007484	829007488	829007492	829007496
	K9	829007477	829007481	829007485	829007489	829007493	829007497
	K11	829007478	829007482	829007486	829007490	829007494	829007498
	K14	829007479	829007483	829007487	829007491	829007495	829007499
Right End Piping connections with Control Valve Mounted on Right	K6	829007500	829007504	829007508	829007512	829007516	829007520
	K9	829007501	829007505	829007509	829007513	829007517	829007521
	K11	829007502	829007506	829007510	829007514	829007518	829007522
	K14	829007503	829007507	829007511	829007515	829007519	829007523

### Cooling Chassis Catalog Numbers

Basic Model	Standard Chassis			Chassis with Positive Pressure Ventilation		
	208V	230V	265V	208V	230V	265V
K6	829007400	829007404	829007408	829007414	829007418	829007422
K9	829007401	829007405	829007409	829007415	829007419	829007423
K11	829007402	829007406	829007410	829007416	829007420	829007424
K14	829007403	829007407	829007411	829007417	829007421	829007425

# Nomenclature

## EK Unit: Model Number



### Heat Section Catalog Numbers

Basic Model	Heater Code	Standard Heat Sections			Heat Sections with Disconnect		
		208V	230V	265V	208V	230V	265V
EK6	S	829007524	829007533	829007542	829007551	-	829007567
	M	829007525	829007534	829007543	829007552	-	829007568
EK9	S	829007526	829007535	829007544	829007553	829007560	829007569
	M	829007527	829007536	829007545	829007554	829007561	829007570
EK11	S	829007528	829007537	829007546	829007555	829007562	829007571
	M	829007529	829007538	829007547	829007556	829007563	829007572
	L	829007530	829007539	829007548	829007557	829007564	829007573
EK14	M	829007531	829007540	829007549	829007558	829007565	829007574
	L	829007532	829007541	829007550	829007559	829007566	829007575

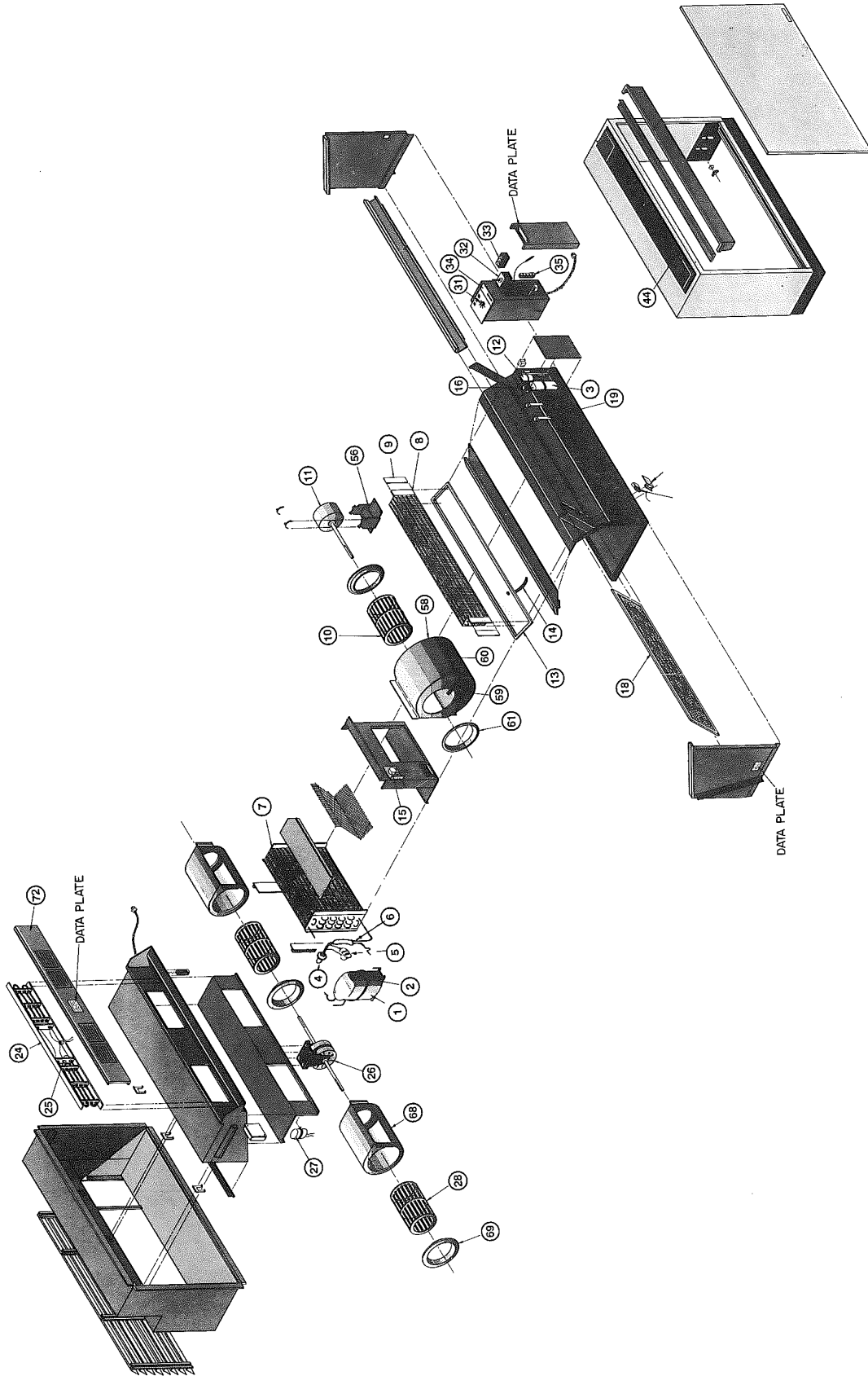
### Control Package Catalog Numbers- With Unit Mounted Thermostat

Thermostat Type	Description	Steam		
		208V	230V	265V
Unit Mount	MCO- 3 Button (Standby, Heat, Cool), Standard	829007576	829007576	829007576
Unit Mount	MCO- 3 Button (Standby, Heat, Cool), Night Setback	829007577	829007577	829007578
Unit Mount	MCO- 3 Button (Standby, Heat, Cool), TODC & NSB	829007579	829007580	829007581
Unit Mount	ACO - 2 Button (Standby, Run), Standard	829007582	829007582	829007583
Unit Mount	TODC Time Clock (115V- 829007066)	829007066	829007066	829007066
Unit Mount	Duct Top Application, 3 Button, Standard	829007584	829007584	829007584
Remote	MCO- 3 Button (Off, Heat, Cool), Master	829007585	829007586	829007587
Remote	MCO- 3 Button (Off, Heat, Cool), Slave	829007588	829007588	829007588
Remote	ACO - 2 Button (On, Off), Standard	829007589	829007596	829007590

### Cooling Chassis Catalog Numbers

Basic Model	Standard Chassis			Chassis with Positive Pressure Ventilation		
	208V	230V	265V	208V	230V	265V
K6	829007400	829007404	829007408	829007414	829007418	829007422
K9	829007401	829007405	829007409	829007415	829007419	829007423
K11	829007402	829007406	829007410	829007416	829007420	829007424
K14	829007403	829007407	829007411	829007417	829007421	829007425

# Unit Assembly Diagrams



## Unit Assembly Condenser Section Components

Ref. No.	Description	Part Number	06					09					11				14				
			115/60/1	208/60/1	230/60/1	265/60/1	230/50/1	115/60/1	208/60/1	230/60/1	265/60/1	230/50/1	208/60/1	230/60/1	265/60/1	230/50/1	208/60/1	230/60/1	265/60/1	230/50/1	
1	Compressor	802003261	1																		
		802003265		1	1																
		802003266				1	1														
		802003262						1													
		802003263							1	1											
		802003264									1	1									
		802003257										1	1								
		802003258												1	1						
		802003273															1	1			
		802003274																	1	1	
2	Overload- Compressor	802003267	1																		
		802003268		1	1																
		802003269				1	1														
		802003270						1													
		802003271							1	1											
		802003272									1	1									
		802003259										1	1								
		802003260												1	1						
N/S	Grommet, Compr. Mounting	802007329	4	4	4	4	4	4	4	4	4	4	4	4							
N/S	Grommet, Compr. Mounting	802007862													4	4	4	4			
N/S	Sleeve, Compr. Mounting	802003010	4	4	4	4	4	4	4	4	4	4	4	4							
N/S	Sleeve, Compr. Mounting	802003281													4	4	4	4			
N/S	Flange Nut, Compr. Mount	802012035	3	3	3	3	3	3	3	3	3	3	3	3	3	3	3	3	3	3	
3	Capacitor, 25MFD, 370V	802007044	1													1					
	Capacitor, 20MFD, 370V	802007010		1					1												
	Capacitor, 20MFD, 370V	802007045			1					1			1								
	Capacitor, 15MFD, 370V	802007341				1	1				1	1		1	1						
	Capacitor, 35MFD, 370V	802007387						1													
	Capacitor, 17.5MFD, 370V	802007064										1									
	Capacitor, 30MFD, 370V	802007065														1					
	Capacitor, 25MFD, 370V	802007402																1	1		
N/S	Feeder Tube Assy	061079201	1	1	1	1	1														
N/S	Feeder Tube Assy	061079301						1	1	1	1	1									
N/S	Feeder Tube Assy	061079401										1	1	1	1						
N/S	Feeder Tube Assy	061079501														1	1	1	1		

N/S= Not shown on diagram.



## Unit Assembly Condenser Section Components

Ref. No.	Description	Part Number	06					09					11				14			
			115/60/1	208/60/1	230/60/1	265/60/1	230/50/1	115/60/1	208/60/1	230/60/1	265/60/1	230/50/1	208/60/1	230/60/1	265/60/1	230/50/1	208/60/1	230/60/1	265/60/1	230/50/1
4	Expansion Valve, 1.5T	802026124	1	1	1	1	1	1	1	1	1	1	1	1	1	1	1	1	1	1
5	Capillary	802001185	1	1	1	1														
		802001114					1													
		802001017						1	1	1	1									
		802001059										1								
		802001080											1	1	1					
		802001060														1				
		22952															1	1	1	
		802001189																		1
6	Strainer	802001047	1	1	1	1	1	1	1	1	1	1	1	1	1	1	1	1	1	
7	Condenser Coil	802004197	1	1	1	1	1													
		802004178						1	1	1	1	1	1	1	1					
		802004205														1	1	1	1	
8	Evaporator Coil	802004206	1	1	1	1	1													
		802004207						1	1	1	1	1								
		802004160											1	1	1	1				
		802004208														1	1	1	1	
9	Spacer, Evaporator Coil	802053039	2	2	2	2	2	2	2	2	2	2	2	2	2	2	2	2	2	
10	Condenser Wheel	802000034	1	1	1	1	1	1	1	1	1	1	1	1	1					
		802000002														1	1	1	1	
11	Condenser Motor, 1/8HP	802024305	1					1												
	Condenser Motor, 1/8HP	802024280		1	1				1	1			1	1						
	Condenser Motor, 1/8HP	802024281				1	1				1	1		1	1					
	Condenser Motor, 1/4HP	802024314													1	1				
	Condenser Motor, 1/4HP	802024315															1	1		
12	Capacitor, 7.5MFD 370V	802007315	1					1												
	Capacitor, 4MFD 370V	802007004		1	1				1	1			1	1						
	Capacitor, 3MFD 440V	802007348				1	1				1	1		1	1					
	Capacitor, 5MFD 370V	802007046													1	1				
	Capacitor, 5MFD 440V	802007409																1	1	
13	Condensate Pan	802028076	1	1	1	1	1	1	1	1	1	1	1	1	1					
		802028102														1	1	1	1	
14	Condensate Drain Tube	802081027	1	1	1	1	1	1	1	1	1	1	1	1	1	1	1	1	1	

## Unit Assembly Condenser Section Components

Ref. No.	Description	Part Number	06					09					11				14			
			115/60/1	208/60/1	230/60/1	265/60/1	230/50/1	115/60/1	208/60/1	230/60/1	265/60/1	230/50/1	208/60/1	230/60/1	265/60/1	230/50/1	208/60/1	230/60/1	265/60/1	230/50/1
15	Damper Motor	802024036	1					1												
		802024015		1					1				1				1			
		802024037			1		1			1		1		1		1		1		1
		802024016				1					1				1				1	
16	Damper Switch, SPST	802005045	1	1	1	1	1	1	1	1	1	1	1	1	1	1	1	1	1	
18	Filter, 31 x 7.5 x .38"	802008057	1	1	1	1	1	1	1	1	1	1	1	1	1	1	1	1	1	
19	Thermostat Bulb Support	802009040	2	2	2	2	2	2	2	2	2	2	2	2	2	2	2	2	2	
N/S	Damper Door	<sup>1</sup>	1	1	1	1	1	1	1	1	1	1	1	1	1	1	1	1	1	

N/S= Not shown on diagram.

<sup>1</sup> Please contact Daikin with unit model and serial number for part numbers of cabinet/chassis components.

# Unit Assembly

## Heat Section Components

Ref. No.	Description	Part Number	06					09				11				14			
			115/60/1	208/60/1	230/60/1	265/60/1	230/50/1	115/60/1	208/60/1	230/60/1	265/60/1	230/50/1	208/60/1	230/60/1	265/60/1	230/50/1	208/60/1	230/60/1	265/60/1
24	Element, 208V/4.2KW	802021152	1					1			1				1				
	Element, 208V/3.4KW	802021151	1					1			1				1				
	Element, 208V/2.6KW	802021150	1					1			1				1				
	Element, 230V/4.2KW	802021151			1				1				1				1		
	Element, 230V/3.2KW	802021150			1				1				1				1		
	Element, 230V/2.4KW	802021149			1				1				1				1		
	Element, 277V/4.2KW	802021150				1					1				1				1
	Element, 277V/3.2KW	802021149				1					1				1				1
	Element, 277V/2.6KW	802021148				1					1				1				1
25	Thermo Switch	802005907	1	1	1	1	1	1	1	1	1	1	1	1	1	1	1	1	1
N/S	Thermostat, Low Ambient	803005265	1	1	1	1	1	1	1	1	1	1	1	1	1	1	1	1	1
N/S	2- Way Mtrzd Valve, N.C.	802026062	1					1											
N/S	2- Way Mtrzd Valve, N.C	802026060		1					1				1				1		
N/S	2- Way Mtrzd Valve, N.C	802026064			1					1				1				1	
N/S	2- Way Mtrzd Valve, N.C	802026066				1					1				1				1
N/S	2- Way Mtrzd Valve, N.O.	802026089	1					1											
N/S	2- Way Mtrzd Valve, N.O.	802026088		1					1				1				1		
N/S	2- Way Mtrzd Valve, N.O.	802026090			1					1				1				1	
N/S	2- Way Mtrzd Valve, N.O.	802026091				1					1				1				1
N/S	RH Supply/Return Hyd.Coil	802004362	1	1	1	1	1	1	1	1	1	1	1	1	1	1	1	1	1
N/S	LH Supply/Return Hyd.Coil	802004363	1	1	1	1	1	1	1	1	1	1	1	1	1	1	1	1	1
N/S	Opp. End Conn. Hyd. Coil	802004361	1	1	1	1	1	1	1	1	1	1	1	1	1	1	1	1	1
26	Evaporator Motor, .033HP	802024213	1																
	Evaporator Motor, .025HP	802024223		1															
	Evaporator Motor, .025HP	802024224			1														
	Evaporator Motor, .033HP	802024316				1	1												
	Evaporator Motor, .040HP	802024210						1											
	Evaporator Motor, .030HP	802024211							1				1				1		
	Evaporator Motor, .033HP	802024212								1				1				1	
	Evaporator Motor, .10HP	802024206									1	1			1	1			1
27	Capacitor, 5MFD/370V	802007046	1					1											
	Capacitor, 2MFD/370V	802007008		1	1	1			1	1	1		1	1	1				
	Capacitor, 3MFD/370V	802007005					1					1			1	1	1	1	1
28	Blower Wheel, Evaporator	802000083	2	2	2	2		2	2	2	2		2	2	2		2	2	2
		802000002					2						2				2		

N/S= Not shown on diagram.

# Unit Assembly

## Control Section Components

Ref. No.	Description	Part Number	06					09					11				14				
			115/60/1	208/60/1	230/60/1	265/60/1	230/50/1	115/60/1	208/60/1	230/60/1	265/60/1	230/50/1	208/60/1	230/60/1	265/60/1	230/50/1	208/60/1	230/60/1	265/60/1	230/50/1	
31	Thermostat Knob	802018035	1	1	1	1	1	1	1	1	1	1	1	1	1	1	1	1	1	1	1
32	Thermostat	802005166	1	1	1	1	1	1	1	1	1	1	1	1	1	1	1	1	1	1	1
33	Switch, 3 Button	802005013	1	1	1	1	1	1	1	1	1	1	1	1	1	1	1	1	1	1	1
	Switch, 2 Button	802005593	1	1	1	1	1	1	1	1	1	1	1	1	1	1	1	1	1	1	1
35	Terminal Board	802007090	1	1	1	1	1	1	1	1	1	1	1	1	1	1	1	1	1	1	1
41	Escutcheon Plate, 3 Button	820018705	1	1	1	1	1	1	1	1	1	1	1	1	1	1	1	1	1	1	1
	Escutcheon Plate, 2 Button	820018703	1	1	1	1	1	1	1	1	1	1	1	1	1	1	1	1	1	1	1
N/S	Relay	802005099		1	1				1	1				1	1				1	1	
N/S	Relay	802005047		1	1				1	1				1	1				1	1	
N/S	Relay	802005051				1					1				1					1	
N/S	Relay	802005100				1					1				1					1	

N/S= Not shown on diagram.

## Unit Assembly Miscellaneous Components

Ref. No.	Description	Part Number	06					09					11				14			
			115/60/1	208/60/1	230/60/1	265/60/1	230/50/1	115/60/1	208/60/1	230/60/1	265/60/1	230/50/1	208/60/1	230/60/1	265/60/1	230/50/1	208/60/1	230/60/1	265/60/1	230/50/1
44	Grille, Stamped	850007879	7	7	7	7	7	7	7	7	7	7	7	7	7	7	7	7	7	7
56	Condenser Motor Mount	820010136	1	1	1	1	1	1	1	1	1	1	1	1	1	1				
		820016802															1	1	1	1
57	Condenser Fan Housing	820012443	1	1	1	1	1	1	1	1	1	1	1	1	1	1				
58	Condenser End Plate, RH	820016824															1	1	1	1
59	Condenser End Plate, RH	820016825															1	1	1	1
60	Condenser Housing, Scroll	820016823															1	1	1	1
61	Condenser Orifice Ring	802000010															2	2	2	2
68	Evaporator Blower Housing	820014816	2	2	2	2	2	2	2	2	2	2	2	2	2	2				
		820016182															2	2	2	2
69	Evaporator Orifice Ring	802000082	2	2	2	2	2	2	2	2	2	2	2	2	2	2				
		802000010															4	4	4	4
72	Heat Guard	820009416	1	1	1	1	1	1	1	1	1	1	1	1	1	1	1	1	1	1
75	Fresh Air Screen	802009002															1	1	1	1

# Critical Daikin Applied OEM Parts Are What Your HVAC Unit Needs!

## McQuay Incremental Comfort System Climate Control Incremental Comfort System Singer Incremental Comfort System K, EK, MQP 06, 09, 11, 14 Vintage H

Critical Components	Unit Sizes	Voltage	Part Number
<b>Compressor</b>			
Compressor	06	115/60/1	802003261
Compressor	06	208-230/60/1	802003265
Compressor	06	265/60/1, 230/50/1	802003266
Compressor	09	115/60/1	802003262
Compressor	09	208-230/60/1	802003263
Compressor	09	265/60/1, 230/50/1	802003264
Compressor	11	208-230/60/1	802003257
Compressor	11	265/60/1, 230/50/1	802003258
Compressor	14	208-230/60/1	802003273
Compressor	14	265/60/1, 230/50/1	802003274
<b>Condenser Motor</b>			
Motor, 1/8HP	06, 09, 11	115/60/1	802024305
Motor, 1/8HP	06, 09, 11	208-230/60/1	802024280
Motor, 1/8HP	06, 09, 11	265/60/1, 230/50/1	802024281
Motor, 1/4HP	14	208-230/60/1	802024314
Motor, 1/4HP	14	265/60/1, 230/50/1	802024315
<b>Damper Motor</b>			
Motor	06, 09	115/60/1	802024036
Motor	06, 09, 11, 14	208/60/1	802024015
Motor	06, 09, 11, 14	230/60/1	802024037
Motor	06, 09, 11, 14	265/60/1, 230/50/1	802024016
<b>Evaporator Motor</b>			
Motor, .033HP	06	115/60/1	802024213
Motor, .025HP	06	208/60/1	802024223
Motor, .025HP	06	230/60/1	802024224
Motor, .033HP	06	265/60/1, 230/50/1	802024316
Motor, .040HP	09	115/60/1	802024210
Motor, .030HP	09, 11, 14	208/60/1	802024211
Motor, .033HP	09, 11, 14	230/60/1	802024212
Motor, .10HP	09, 11, 14	265/60/1, 230/50/1	802024306
<b>Evaporator and Condenser Wheel</b>			
Condenser Wheel	06, 09, 11	N/A	802000034
Condenser Wheel	14	N/A	802000002
Evaporator Blower Wheel	ALL	N/A	802000083
Evaporator Blower Wheel (230/50/1V units only)	ALL	N/A	802000002

Call Your Local Daikin Applied Parts Distributor For All Your Parts Needs.  
To Locate A Distributor, Go To [www.DaikinApplied.com](http://www.DaikinApplied.com) or Call 1-800-37PARTS