



INSTALLATION INSTRUCTIONS

Replacement Combustion Chamber Kit

Vaillant F70 & F75 Oil Fired Boilers

Lynn Manufacturing, Inc
15 Marion St., Lynn, MA 01905
TEL:781-593-2500 FAX:781-596-0430

1117

Fits All Models

F70-40, F70-45, F70-50, F70-55
F75-40, F75-45, F75-50, F75-55



This product contains fiberglass wool and ceramic fiber materials. Airborne fibers from these materials have been listed by the state of California as a possible cause of cancer through inhalation. Apply special care when handling these materials. (Burner door refractory, rear refractory, blankets, rope seal, jacket insulation, etc.)

Please see MSDS for more health and safety information.

BEFORE STARTING:



Failure to perform the following can cause severe personal injury, death or substantial property damage!

- * Read all instructions before starting.
- * Follow all instructions in proper order.
- * Turn off service switch on boiler and all other electrical disconnect switches.
- * Close fuel supply valve(s) and disconnect fuel line from burner.

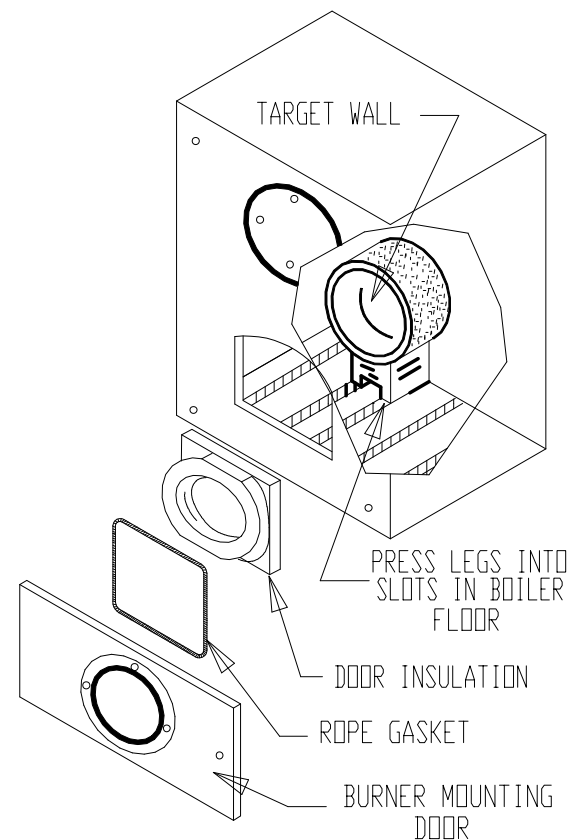
REMOVAL:

1. Check to make sure all electric power is off, and the oil line is disconnected.
2. Swing open or remove the burner mounting door.
3. Remove the Door Insulation from the inside of the door.
4. Remove the old Target Wall from the combustion area.
5. Clean out the combustion area. Make sure all debris is removed from the slots in the floor of the boiler.
6. Inspect the rope gasket on the door and replace if necessary using the new rope provided. Peel the backing off the self-adhesive rope and press it into place.

INSTALLATION:

7. Pass the new Target Wall through the boiler opening and position it as shown.
8. Make sure the Target Wall is against the back wall of the boiler, and press the "legs" into the slots in the floor.
9. Press the new Door Insulation into the burner mounting door.
10. Close and fasten the burner mounting door.
11. Reconnect and turn on the oil line and electric power.
12. Fire the burner for 15 minutes to allow the chamber to "cure".

NOTE: WHEN FIRST FIRED, SOME SMOKE AND A SLIGHT ODOR WILL OCCUR. THIS IS PART OF THE CURING PROCESS.



13. Combustion tests **MUST** be performed **AFTER** the curing process is complete to insure proper performance.