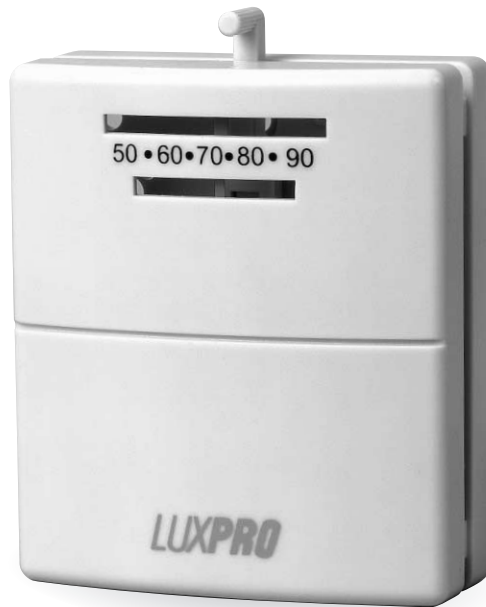
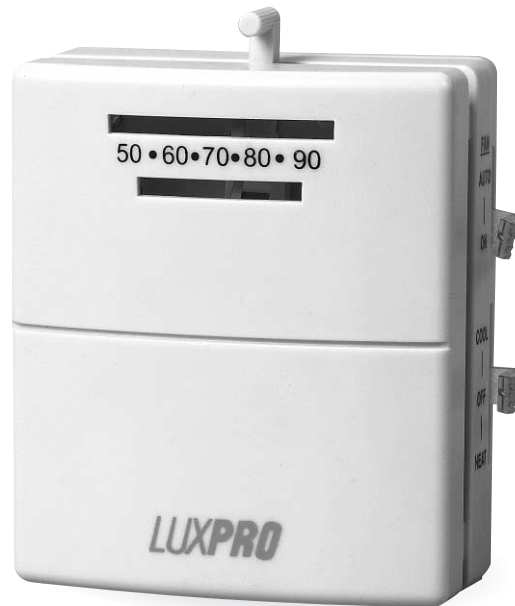


LUXPRO® PSM30SA-PSM40SA



PSM30SA
HEATING ONLY



PSM40SA
HEATING & COOLING

MECHANICAL THERMOSTATS

- **Clean, Attractive Design**
- **Snap Action Mechanism**
- **Value Priced**
- **Adjustable Heat Anticipator**
- **PSM30SA Heating Only**
- **PSM40SA Heating and Cooling**
- **Contains No Mercury**

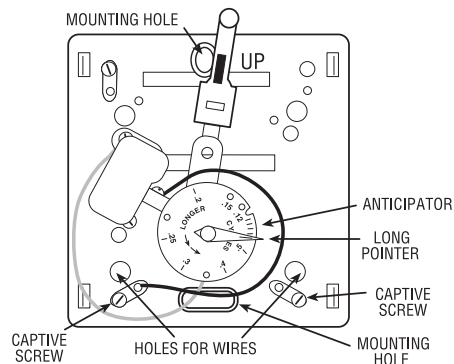
COMPATIBLE WITH:

- Most 24V Gas, Oil, Electric Heating and Air Conditioning Systems (PSM30SA Heating Only) (PSM40SA Heating and Cooling)
- 2 Wire Hydronic Systems
- Millivolt Systems
- Hydronic Air Handlers
- Single-stage Heat Pumps

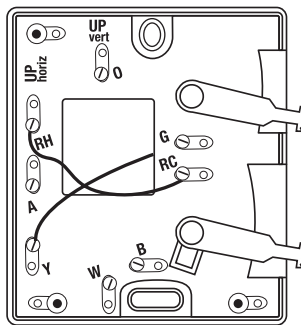
NOT COMPATIBLE WITH:

- 3 Wire Hydronic Systems
- Multi-stage Heat Pumps
- 120V/240V Systems
- Compressor without time delays (PSM40SA)

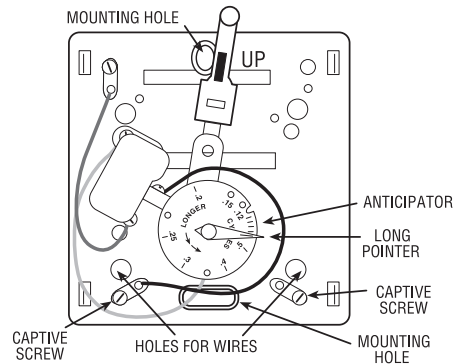
LUXPRO[®] PSM30-PSM40SA



PSM30SA
HEATING ONLY



PSM40SA
HEATING & COOLING



GENERAL DESCRIPTION:

PSM30SA = 3" (77mm) wide x 3½" (90mm) tall x 1¼" (32mm) deep

PSM40SA = 3" (77mm) wide x 3½" (90mm) tall x 1⅜" (35mm) deep

Optional Wall Plate: Part No. MT084S, 4¾" (121mm) wide x 4¾" (121mm) tall

Description: Snap action mechanism PSM30SA mechanical heating only, PSM40SA mechanical heating and cooling.

SPECIFICATIONS:

Electrical Ratings: 24 Vac (30 Vac maximum).

Anticipator Rating: 0.15A to 1.2A.

Temperature Control Range: 45°F to 90°F (7° to 32°). Accuracy: ±1°F over a range of 50°F to 95°F.

Compatibilities: 2-7 wire single stage systems, forced air systems, 2 wire hydronic systems, hydronic air handling systems, PSM40SA terminals: G, Y, W, RH, B, RC, O, A

Environmental Limits:

Moisture and Dust: meets IP20.

Operating Humidity: 20% to 90% non-condensing.

Operating Temperature: +32°F to +95°F (+0°C to +35°C).

Storage Temperature: -4°F to +130°F (-20°C to +54°C).

Electrical Immunity: meets relevant CE specifications.

Packaging:

Packaged in box - carton quantity = 50.

Carton Specifications: 16½" long x 14¾" wide x 12⅜" depth. Carton weight = 17lbs.



LUX Products Corporation 6000 I Commerce Parkway • Mt. Laurel, NJ 08054
(856) 234-7905 • FAX (856) 234-7825 • www.luxproproducts.com

JOB NAME: _____

DATE: _____

CONTRACTOR: _____

UNIT DESIGNATION: _____

ENGINEER: _____

MODEL NO.: _____

SUBMITTED FOR: APPROVAL

RECORD

LOCATION: _____