

2013



CONDENSED CATALOG COMMERCIAL PRODUCTS



Effective: June 2013
Copyright 2013 International Comfort Products
Lewisburg, TN USA

401 14 2205 13B

MODEL NOMENCLATURE COMMERCIAL

NOTES

SMALL PACKAGE UNITS

MODEL NUMBER IDENTIFICATION GUIDE										
DIGIT POSITION	1	2	3	4	5,6	7,8,9	10	11,12	13	14
	P	G	S	3	36	060	K	GS	0	C
P = Package	UNIT									
A = Air Conditioner										
H = Heat Pump										
D = Dual Fuel										
G = Gas/Electric		TYPE								
D = Standard										
S = Mainline with SS HX			TIER							
3 = 13										
4 = 14										
5 = 15					SEER					
24 = 24,000 BTUH = 2 Tons										
30 = 30,000 BTUH = 2.5 Tons										
36 = 36,000 BTUH = 3 Tons										
42 = 42,000 BTUH = 3.5 Tons										
48 = 48,000 BTUH = 4 Tons										
60 = 60,000 BTUH = 5 Tons					NOMINAL COOLING BTUH					
000 = N/A										
040 = 40,000										
060 = 60,000										
090 = 90,000										
115 = 115,000										
120 = 120,000										
130 = 130,000					NOMINAL HEATING BTUH (input)*					
K = 208/230-1-60										
H = 208/230-3-60										
L = 460-3-60							VOLTAGE			
00 = No Options										
GS = Stainless-Steel Heat Exchanger *										
TP = Tin Plated Evap Main Tubes**										
GP = Tin Plated Evap Main Tubes plus Stainless Steel Heat Exchanger *										FACTORY INSTALLED OPTIONS
0 = Standard										
1 = Low NOx *										FEATURE CODE
Sales Model Digit										

* Gas/electric or Dual Fuel models only

** AC and HP models only

COMMERCIAL PACKAGE UNITS 3–12.5 Ton (HIGH EFFICIENCY)

MODEL NUMBER IDENTIFICATION GUIDE														
DIGIT POSITION	1	2	3	4	5	6	7	8	9	10	11	12	13	14
MODEL SERIES	R	G	H	0	9	0	H	D	A	A	0	A	A	A
R = Rooftop G = Gas/Electric H = High Efficiency Type Efficiency 036 = 3 Tons 048 = 4 Tons 060 = 5 Tons 072 = 6 Tons 090 = 7.5 Tons (Dual Compressor) 102 = 8.5 Tons (Dual Compressor) 110 = 10 Tons (Dual Compressor) 120 = 10 Tons (Dual Compressor) 150 = 12.5 Tons (Dual Compressor) Nominal Cooling Capacity K = 208/230-1-60 H = 208/230-3-60 L = 460-3-60 S = 575-3-60 Voltage D = Low Heat E = Medium Heat F = High Heat S = Low Heat, Stainless Steel Heat Exchanger R = Medium Heat, Stainless Steel Heat Exchanger T = High Heat, Stainless Steel Heat Exchanger L = Low Heat, Low NOx* M = Medium Heat, Low NOx* N = High Heat, Low NOx* Heating Capacity (See spec sheet for actual capacity) X = Direct drive ECM motor A = Standard Static Option – (Belt Drive) C = Medium Static Option (Belt Drive) B = High Static Option (Belt Drive) E = High Static – High Efficient Motor (Belt Drive) G = High Static Motor with Hot Gas Re-Heat (Belt Drive) Motor Option A = None B = Economizer w/Baro-relief, OA Temp sensor E = Economizer w/Baro-relief + CO2 Sensor, OA Temp sensor H = Economizer w/Baro-relief, enthalpy sensor L = Economizer w/Baro-relief + CO2 Sensor, enthalpy sensor U = Temp Ultra Low Leak Economizer w/Baro-relief W = Enthalpy Ultra Low Leak Economizer w/Baro-relief P = 2-Position damper w/Baro-relief No more factory installed economizers for single phase Outdoor Air Options / Control (See spec sheet for details) OA = No Options 4B = Non-Fused Disconnect AT = Non-powered 115v C.O. BR = Supply Air Smoke Detector AA = Easy Access Hinged Panels Factory Installed Options (Not available on 1 phase models) A = Aluminum / Copper Cond & Alum/Copper Evap Coil B = Pre-coat Alum/Copper Cond & Alum / Copper Evap (3 Phase only) C = E-Coated Alum/Copper Cond & Alum / Copper Evap (3 Phase only) Condenser / Evaporator Coil Configuration A = Standard Motor T = 2 Speed Indoor Fan VFD Controller (For 2-stage units only) Motor Type Option														

* RGH 3 to 5 ton models only

Note: On single phase (K voltage code) models, the following are not available as factory installed options:

- Coated or copper fin coils
- Economizers or 2 position dampers
- Hot Gas Re-heat

COMMERCIAL PACKAGE UNITS 3–15 Ton (Standard Efficiency)

MODEL NUMBER IDENTIFICATION GUIDE														
DIGIT POSITION	1	2	3	4	5	6	7	8	9	10	11	12	13	14
MODEL SERIES	R	G	S	0	9	1	H	D	A	A	0	A	A	A
R = Rooftop														
A = Air Conditioning (Cooling Only) H = Heat Pump G = Gas/Electric	Type													
S = Standard ASHRAE 90.1–2010 Efficiency	Efficiency													
036 = 3 Tons 048 = 4 Tons 060 = 5 Tons 072 = 6 Tons 091 = 7.5 Tons (Single Compressor) 101 = 8.5 Tons (Single Compressor) 121 = 10 Tons (Single Compressor)				090 = 7.5 Tons (Dual Compressor) 102 = 8.5 Tons (Dual Compressor) 120 = 10 Tons (Dual Compressor) 150 = 12.5 Tons (Dual Compressor) 180 = 15 Tons (Dual Compressor)										
				Nominal Cooling Capacity										
K = 208/230–1–60 H = 208/230–3–60 L = 460–3–60 S = 575–3–60				Voltage										
D = Low Heat E = Medium Heat F = High Heat S = Low Heat, Stainless Steel Heat Exchanger R = Medium Heat, Stainless Steel Heat Exchanger T = High Heat, Stainless Steel Heat Exchanger	L = Low Heat, Low NOx M = Medium Heat, Low NOx N = High Heat, Low NOx													
				Heating Capacity										
A = Standard Motor (3 – 15 Ton) C = Medium Static Motor (3 – 15 Ton) B = High Static Motor (3–12.5 ton 3 phase models only) E = High Static Motor , High Efficiency Motor (15 ton only) G = High Static Motor with Hot Gas Re–Heat (3 to 15 ton, 1 speed motors)	Motor Option (Indoor Fan)													
A = None B = Economizer w/Bara–relief, OA Temp sensor E = Economizer w/Bara–relief + CO2 Sensor, OA Temp sensor H = Economizer w/Bara–relief, enthalpy sensor L = Economizer w/Bara–relief + CO2 Sensor, enthalpy sensor U = Temp Ultra Low Leak Economizer w/Bara–relief (For 2 speed fan motor only) W = Enthalpy Ultra Low Leak Economizer w/Bara–relief (For 2 speed fan motor only) P = 2–Position damper	Outdoor Air Options / Control ¹													
OA = No Options AT = Non–powered 115v C.O. 4B = Non–Fused Disconnect BR = Supply Air Smoke Detector AA = Easy Access Hinged Panels	Factory Installed Options													
A = Aluminum / Copper Cond & Evap Coil B = Precoat Alum/Copper Cond with Alum / Copper Evap (3 phase only) C = E–Coated Alum/Copper Cond with Alum / Copper Evap (3 phase only) D = E–Coated Alum / Copper Cond & Evap (3 phase only) E = Copper/Copper Cond & Alum/Copper Evap (3 phase only) F = Copper/Copper Cond & Evap (3 phase only)	Condenser / Evaporator Coil Configuration													
A = Standard Motor T = 2 Speed Indoor Motor VFD Controller (For 2–stage units only)	Motor Type Option													

NOTE: Factory installed options are NOT available on single phase models. This includes economizers and 2 position dampers.

¹ A combinations of FIOPS are available.

COMMERCIAL PACKAGE UNITS 15–25 Ton (HIGH EFFICIENCY)

MODEL NUMBER IDENTIFICATION GUIDE														
DIGIT POSITION	1	2	3	4	5	6	7	8	9	10	11	12	13	14
MODEL SERIES	R	G	H	1	8	1	H	D	A	B	0	A	A	A
R = Rooftop														
G = Gas/Electric	Type													
H = High Efficiency	Efficiency													
181 = 181,000 = 15 Tons (2 stage cooling) Vertical SA/RA 183 = 180,000 = 15 Tons (2 stage cooling) Horizontal SA/RA 210 = 210,000 = 17.5 Tons (2 stage cooling) Vertical SA/RA 213 = 210,000 = 17.5 Tons (2 stage cooling) Horizontal SA/RA 240 = 240,000 = 20 Tons (2 stage cooling) Vertical SA/RA 243 = 240,000 = 20 Tons (2 stage cooling) Horizontal SA/RA 300 = 300,000 = 25 Tons (2 stage cooling) Vertical SA/RA 303 = 300,000 = 25 Tons (2 stage cooling) Horizontal SA/RA (SA = Supply Air, RA = Return Air) Nominal Cooling Capacity														
H = 208/230–3–60 L = 460–3–60 S = 575–3–60 Voltage														
D = Low Heat, Aluminum Hx E = Medium Heat, Aluminum Hx F = High Heat, Aluminum Hx S = Low Heat, Stainless Steel Heat Exchanger R = Medium Heat, Stainless Steel Heat Exchanger T = High Heat, Stainless Steel Heat Exchanger Heating Capacity														
A = Standard Motor/Drive C = Medium Static Motor/Drive B = High Static Motor/Drive G = Single Speed High Static Motor/Drive with Hot Gas Re-Heat F = 2 Speed High Static Motor//Drive with Hot Gas Re-Heat Motor Option														
A = None B = Temp Economizer w/Bara-relief E = Temp Economizer w/Bara-relief + CO ₂ sensor H = Enthalpy Economizer w/Bara-relief L = Enthalpy Economizer w/Bara-relief + CO ₂ sensor U = Temp Ultra Low Leak Economizer w/Bara-relief W = Economizer Ultra Low Leak Economizer w/Bara-relief P = 2-Position damper Outdoor Air Options / Control														
0A = No Options 4B = Non-fused Disconnect Switch AT = Un-powered Convenience Outlet BR = Supply Air Smoke Detector Other Factory Installed Options¹														
A = Standard – Alum Fin/Cu Tubes B = Pre coated Condenser Coil C = E-coatedd Condenser Coil Coil Factory Installed Options														
A = Standard Motor T = 2 Speed Indoor Motor Controller (VFD) Motor Type Option														

COMMERCIAL PACKAGE UNITS 15–25 Ton (STANDARD EFFICIENCY)

MODEL NUMBER IDENTIFICATION GUIDE														
DIGIT POSITION	1	2	3	4	5	6	7	8	9	10	11	12	13	14
MODEL SERIES	R	G	S	2	1	0	H	D	A	B	0	A	A	A
R = Rooftop A = Air Conditioning (Cooling Only) G = Gas/Electric Type S = Standard ASHRAE 90.1–2010 Efficiency Efficiency 210 = 210,000 = 17.5 Tons Dedicated Vertical SA/RA (SA = Supply Air, RA = Return Air) 213 = 210,000 = 17.5 Tons Dedicated Horizontal SA/RA 240 = 240,000 = 20 Tons Dedicated Vertical SA/RA 243 = 240,000 = 20 Tons Dedicated Horizontal SA/RA 300 = 300,000 = 25 Tons Dedicated Vertical SA/RA 303 = 300,000 = 25 Tons Dedicated Horizontal SA/RA 336 = 330,000 = 27.5 Tons Dedicated Vertical SA/RA 333 = 330,000 = 27.5 Tons Dedicated Horizontal SA/RA Nominal Cooling Capacity H = 208/230–3–60 L = 460–3–60 S = 575–3–60 Voltage D = Low Heat F = High Heat E = Medium Heat S = Low Heat, Stainless Steel Heat Exchanger R = Medium Heat, Stainless Steel Heat Exchanger T = High Heat, Stainless Steel Heat Exchanger Heating Capacity A = Standard Static Option (all sizes, with 1–speed and 2–speed indoor fan motor) B = High Static Option (all sizes, with 2–speed indoor fan motor) C = Medium Static Option (17.5 ton, with 1–speed indoor fan motor, all sizes with 2–speed indoor fan motor) E = High Static High Efficiency Option (all sizes, with 1–speed indoor fan motor) F = Medium Static High Efficiency Option (20, 25, 27.5 ton, with 1–speed indoor fan motor) G = High Static Motor with Hot Gas Re–heat (20, 25, 27.5 ton, with 1–speed indoor fan motor) Motor Option A = None B = Economizer w/Bara–relief, OA Temp sensor E = Economizer w/Bara–relief + CO ₂ sensor, OA Temp sensor H = Economizer w/Bara–relief, Enthalpy sensor L = Economizer w/Bara–relief + CO ₂ sensor, Enthalpy sensor U = Ultra Low Leak Temp Economizer w/Bara–relief (2–speed indoor fan motor only) W = Ultra Low Leak Temp Enthalpy Economizer w/Bara–relief (2–speed indoor fan motor only) P = 2–Position damper Outdoor Air Options / Control 0A = No Options 4B = Non–fused Disconnect AA = Hinged Access Panels AT = Non–powered 115v Convenience Outlet. BR = Supply Air Smoke Detector Other Factory Installed Options¹ A = Alum / Cu Cond & Alum / Cu Evap B = Pre coated Alum / Cu Cond & Alum / Cu Evap C = E–coated Alum / Cu Cond & Alum / Cu Evap E = Cu / Cu Cond & Alum / Cu Evap Coil Factory Installed Options A = Standard Motor T = 2 Speed Indoor Fan VFD Controller (For 2–stage units only) Motor Type Option														

¹A combination of FIOP's are available.

COMMERCIAL SPLIT SYSTEM UNITS (3–5 Ton, Three–Phase)

MODEL NUMBER IDENTIFICATION GUIDE											
DIGIT POSITION	1	2	3	4	5,6	7	8	9	10	11	12
	H	4	A	3	36	G	H	B	1	0	0
H = Mainline N = Entry R = Entry	BRANDING										
2 = R-22 4 = R-410A	REFRIGERANT										
A = Air Conditioner H = Heat Pump			TYPE								
3 = 13 SEER 4 = 14 SEER			NOMINAL EFFICIENCY								
30 = 30,000 BTUH = 2-1/2 tons 36 = 36,000 BTUH = 3 tons 42 = 42,000 BTUH = 3.5 tons 48 = 48,000 BTUH = 4 tons 60 = 60,000 BTUH = 5 tons					NOMINAL CAPACITY						
A = Standard Grille G = Coil Guard Grille							FEATURES				
H = 208/230-3-60 L = 460-3-60 S = 575-3-60									VOLTAGE		
Sales Code											
Engineering Revision											
Extra Digit											
Extra Digit											

COMMERCIAL SPLIT SYSTEMS CONDENSING UNITS (6–20 Ton, Three–Phase)

MODEL NUMBER IDENTIFICATION GUIDE														
DIGIT POSITION	1	2	3	4	5	6	7	8	9	10	11	12	13	14
MODEL SERIES	C	A	S	0	9	1	H	A	A	0	A	0	0	A
C = R-410A Condensing Unit														
A = Air Conditioning (Cooling Only)														
H = Heat Pump														
Type														
S = Standard ASHRAE 90.1–2010 Efficiency														
Efficiency														
072 = 71,000 BTUH = 6 Tons														
091 = 92,000 BTUH = 7.5 Tons (1 circuit)														
120 = 117,000 BTUH = 10 Tons (2 circuit)														
121 = 117,000 BTUH = 10 Tons (1 circuit)														
150 = 148,000 BTUH = 12.5 Tons (2 circuit)														
151 = 148,000 BTUH = 12.5 Tons (1 circuit)														
180 = 180,000 BTUH = 15 Tons (2 circuit)														
181 = 180,000 BTUH = 15 Tons (1 circuit)														
240 = 240,000 BTUH = 20 Tons (2 circuit)														
241 = 240,000 BTUH = 20 Tons (1 circuit)														
Nominal Cooling Capacity														
H = 208/230–3–60														
L = 460–3–60														
S = 575–3–60														
Voltage														
A = Single Circuit														
B = Single Circuit w/ Low Ambient Control														
D = Dual Circuit														
E = Dual Circuit w/ Low Ambient Control														
Refrigerant System Options														
A = Cu/Al Cond. RTPF														
B = Precoat Al/Cu Cond. RTPF														
C = E-Coat Al/Cu Cond. RTPF														
E = Cu/Cu Cond. RTPF														
Outdoor Coil Options														
0 = None														
1 = Non-powered 115v Convenience Outlet														
Service Options														
A = None														
C = Non-Fused Disconnect Switch														
Electrical Options														
0 = Standard Elec-Mechanical Control														
Base Unit Controls														
0 = No options, reserved for future Use														
Future Use														
A = Original Design														
Sales Digit														

DIRECT EXPANSION COMMERCIAL PACKAGED AIR HANDLING UNITS

MODEL NUMBER IDENTIFICATION GUIDE														
DIGIT POSITION	1	2	3	4	5	6	7	8	9	10	11	12	13	14
MODEL SERIES	F	A	S	0	9	1	M	A	A	A	0	A	0	A
F = R-410A Fan Coil Unit														
A = Air Conditioning (Cooling Only)	Type													
S = Standard Efficiency	Efficiency													
072 = 6 Tons (1 circuit)														
091 = 7.5 Tons (1 circuit)														
120 = 10 Tons (2 circuit)														
150 = 12.5 Tons (2 circuit)														
180 = 15 Tons (2 circuit)														
240 = 20 Tons (2 circuit)														
300 = 25 Tons (2 circuit)	Nominal Tonnage													
K = 208/230-1-60														
H = 208/230-3-60														
M = 460/208/230-3-60														
L = 460-3-60														
S = 575-3-60	Voltage													
A = Standard Static Standard Efficiency Motor / Standard Drive														
B = High Static Standard Efficiency Motor / High Drive														
D = Standard Static High Efficiency Motor / Standard Drive														
E = High Static High Efficiency Motor / High Drive	Fan Motor Options													
A = Al/Cu	Indoor Coil													
A = Standard D/X Coil	Refrigerant System													
0 = No options	Future Use													
A = None - Standard - Unpainted														
B = Painted cabinet (Gray)	Painted Cabinet Options													
0 = Standard (Future use)	Future Use													
A = Original Design	Sales Digit													

NOTE:

*Single phase FAS072-091 units designate standard motor and high static drive.
 All FAS072-150 with a "M" voltage designation are triple voltage; i.e., 208/230/460-3-60.
 Size FAS180 is also triple voltage unless high static options is used, See chart below.

SMALL PACKAGE PRODUCTS THREE PHASE

NOTES

PGR5

UP to 16 SEER, UP to 12.5 EER PACKAGE GAS/ELECTRIC, 2.5 to 5 TONS

208/230 Volt, 3-phase, 60 Hz

REFRIGERATION CIRCUIT

- Environmentally sound R-410A refrigerant
- Copper tube/aluminum fin condenser and evaporator coils
- Enhanced dehumidification feature on high stage cooling with use
- Two stage scroll compressors standard on all models
- Two stage gas valve and two speed inducer motor on all models

EASY TO INSTALL AND SERVICE

- Installs easily on a rooftop or at ground level
- Easy three-panel accessibility for maintenance and installation
- Easily converts to down discharge applications
- Combination gas heating and electric cooling
- Low NOx units available

BUILT TO LAST

- Hail guard (3/8" spacing) wire grilles standard
- Induced-draft combustion and venting
- High efficiency ECM indoor blower motor on all models
- Pre-painted steel cabinet
- Direct spark ignition
- Stainless steel tubular heat exchanger standard
- Vertical condenser fan discharge
- Full perimeter steel base rails
- Crankcase heaters on select models
- High and low pressure switches provide added reliability for the compressor

WARRANTY*

- 10 Year heat exchanger limited warranty
- 5 year limited warranty on compressor
- 1 year limited warranty on parts

* Applies to original purchaser/homeowner, some limitations may apply. See warranty certificate for complete details.



As an Energy Star® Partner, International Comfort Products, has determined that this product meets the ENERGY STAR® guidelines for energy efficiency.



Use of the AHRI Certified TM Mark indicates a manufacturer's participation in the program. For verification of certification for individual products, go to www.ahridirectory.org.

UNIT PERFORMANCE DATA								
Model Number	COOLING			HEATING		Unit Dimensions Height x Width x Depth Inches (mm)	Operating Weight lbs (kg)	Notes
	Net Capacity BTU/h High / Low	SEER	EER	Input BTU/h	Efficiency AFUE %			
PGR530040HGP*A	29,000	15.00	12.00	40,000/26,000	78.00	44-1/8 x 47 x 31-7/16 (1121 x 1194 x 799)	376 (170)	
PGR530060HGP*A	29,000	15.00	12.00	60,000/39,000	78.60		376 (170)	
PGR536060HGP*A	35,400	16.00	12.50	60,000/39,000	78.60	44-3/4 x 47 x 42-15/16 (1137 x 1194 x 1091)	463 (210)	
PGR536090HGP*A	35,400	16.00	12.50	90,000/58,500	79.20		463 (210)	
PGR542060HGP*A	42,000	16.00	12.50	60,000/39,000	78.60	44-3/4 x 47 x 42-15/16 (1137 x 1194 x 1091)	463 (210)	
PGR542090HGP*A	42,000	16.00	12.50	90,000/58,500	79.20		463 (210)	
PGR548090HGP*A	47,500	16.00	12.30	90,000/58,500	79.20		481 (218)	
PGR548115HGP*A	47,500	16.00	12.30	115,000/75,000	80.10	50-3/4 x 47 x 42-15/16 (1289 x 1194 x 1091)	481 (218)	
PGR548130HGP*A	47,500	16.00	12.30	130,000/84,500	80.00		481 (218)	
PGR560090HGP*A	57,000	16.00	12.30	90,000/58,500	79.20		509 (231)	
PGR560115HGP*A	57,000	16.00	12.30	115,000/75,000	80.10	52-3/4 x 47 x 42-15/16 (1340 x 1194 x 1091)	509 (231)	
PGR560130HGP*A	57,000	16.00	12.30	130,000/84,500	80.00		509 (231)	

* - 0 = Standard, 1 = Low NOx

**Up to 16 SEER, Up to 12.5 EER, PACKAGE AIR CONDITIONER,
2.5 to 5 TONS
208/230 Volt, 3-phase, 60 Hz**

REFRIGERATION CIRCUIT

- Environmentally sound R-410A refrigerant
- Copper tube/aluminum fin condenser and evaporator coils
- Enhanced dehumidification feature on high stage cooling with use of a dehumidistat
- Two stage scroll compressors standard on all models

EASY TO INSTALL AND SERVICE

- Installs easily on a rooftop or at ground level
- Easy three-panel accessibility for maintenance and installation
- Easily converts to down discharge applications

BUILT TO LAST

- Hail guard (3/8" spacing) wire grilles standard
- Multi-speed ECM blower motor standard on all models
- Pre-painted steel cabinet
- Vertical condenser fan discharge
- Full perimeter steel base rails
- High and low pressure switches provide added reliability for the compressor

WARRANTY*

- 5 year compressor limited warranty
- 1 year parts limited warranty

* Applies to original purchaser/homeowner, some limitations may apply. See warranty certificate for complete details.



As an Energy Star® Partner, International Comfort Products, has determined that this product meets the ENERGY STAR® guidelines for energy efficiency.



Use of the AHRI Certified TM Mark indicates a manufacturer's participation in the program. For verification of certification for individual products, go to www.ahridirectory.org.

UNIT PERFORMANCE DATA							
Model Number	COOLING				Unit Dimensions Height x Width x Depth Inches (mm)	Operating Weight lbs / kg	Notes
	Net Capacity BTU/h High Stage	Standard CFM High / Low Stage	S.E.E.R.	E.E.R.			
PAR530000H000A	29000	100/750	15.00	12.00	44-1/8 x 46-13/16 x 31-3/16 (1121 x 1189 x 792)	334/152	
PAR536000H000A	35400	1200/900	16.00	12.50	44-3/4 x 46-13/16 x 42-15/16 (1137 x 1189 x 1091)	389/176	
PAR542000H000A	42000	1400/1050	16.00	12.50	44-3/4 x 46-13/16 x 42-15/16 (1137 x 1189 x 1091)	392/178	
PAR548000H000A	47500	1600/1200	16.00	12.30	50-3/4 x 46-13/16 x 42-15/16 (1269 x 1189 x 1091)	444/201	
PAR560000H000A	57000	1750/1200	16.00	12.30	52-3/4 x 46-13/16 x 42-15/16 (1340 x 1189 x 1091)	464/211	

UP to 15.5 SEER, UP to 12.5 EER, Up to 8.5 HSPF, PACKAGE HEAT PUMP UNITS, 2.5 – 5 TONS 208/230 Volt, 3-phase, 60 Hz

- Environmentally sound R-410A refrigerant
- Copper tube/aluminum fin condenser and evaporator coils
- Enhanced dehumidification feature on high stage cooling with use of a dehumidistat
- Two stage scroll compressors standard on all models

EASY TO INSTALL AND SERVICE

- Installs easily on a rooftop or at ground level
- Easy three-panel accessibility for maintenance and installation
- Easily converts to down discharge applications

BUILT TO LAST

- Hail guard (3/8" spacing) wire grilles standard
- Multi-speed ECM blower motor standard on all models
- Pre-painted steel cabinet
- Vertical condenser fan discharge
- Full perimeter steel base rails
- High and low pressure switches provide added reliability for the compressor

WARRANTY*

- 5 year compressor limited warranty
- 1 year parts limited warranty

* Applies to original purchaser/homeowner, some limitations may apply. See warranty certificate for complete details.



As an Energy Star® Partner, International Comfort Products, has determined that this product meets the ENERGY STAR® guidelines for energy efficiency.



Use of the AHRI Certified TM Mark indicates a manufacturer's participation in the program. For verification of certification for individual products, go to www.ahridirectory.org.

UNIT PERFORMANCE DATA									
Model Number	COOLING						Unit Dimensions Height x Width x Depth Inches (mm)	Operating Weight lbs / kg	Notes
	Net Capacity BTU/h High Stage	Standard CFM High/Low Stage	SEER	EER	HSPF	COP			
PHR530000H000A	29000	1000/750	15.0	12.0	8.0	3.8	46-1/8 x 48-13/16 x 32-5/8 (1172 x 1224 x 829)	356/162	
PHR536000H000A	34000	1200/900	15.0	12.0	8.0	3.7	44-3/4 x 48-1/4 x 44-3/16 (1137 x 1226 x 1122)	413/187	
PHR542000H000A	42000	1400/1050	15.0	12.0	8.0	3.6	50-3/4 x 48-1/4 x 44-3/16 (1289 x 1226 x 1122)	444/201	
PHR548000H000A	47000	1600/1200	15.5	12.5	8.0	3.7	48-3/4 x 48-1/4 x 44-3/16 (1238 x 1226 x 1122)	447/203	
PHR560000H000A	57000	1750/1400	15.0	12.0	8.5	3.5	54-3/4 x 48-1/4 x 44-3/16 (1391 x 1226 x 1122)	503/228	

14 SEER, 12 EER, PACKAGE GAS/ELECTRIC, 2.5 to 5 TONS

208/230-3-60, 460-3-60

REFRIGERATION CIRCUIT

- Environmentally sound R-410A refrigerant
- Scroll compressor standard on all models
- All models with tin-coated copper evaporator coil standard
- Dehumidification mode (airflow reduction) on all models

EASY TO INSTALL AND SERVICE

- Installs easily on a rooftop or at ground level
- Easy three-panel accessibility for maintenance and installation
- Easily converts to down discharge applications
- Combination gas heating and electric cooling
- Low NOx units available

BUILT TO LAST

- Hail guard (3/8" spacing) wire grilles standard
- Induced-draft combustion and venting
- Direct spark ignition
- Pre-painted steel cabinet
- High Efficiency ECM indoor blower motor on all models
- Stainless steel tubular heat exchanger
- Vertical condenser fan discharge
- Full perimeter steel base rails
- High and low pressure switches provide added reliability for the compressor

WARRANTY*

- 10 Year heat exchanger limited warranty
- 5 year limited warranty on compressor
- 1 year limited warranty on parts

* Applies to original purchaser/homeowner, some limitations may apply. See warranty certificate for complete details.



Use of the AHRI Certified TM Mark indicates a manufacturer's participation in the program. For verification of certification for individual products, go to www.ahridirectory.org.



As an Energy Star® Partner, International Comfort Products, has determined that this product meets the ENERGY STAR® guidelines for energy efficiency.

UNIT PERFORMANCE DATA								
Model Number	Cooling			Heating		Height x Width x Depth in (mm)	Operating Weight lbs (kg)	Notes
	Capacity BTU/h	SEER	EER	Input BTU/h	AFUE %			
PGS430040HGS*C	28,600	14.5	12.0	40,000	80.0	40 x 48-3/16 x 32-5/8 (1016 x 1224 x 829)	342 (155)	
PGS430060HGS*C	28,600	14.5	12.0	60,000	80.0	40 x 48-3/16 x 32-5/8 (1016 x 1224 x 829)	342 (155)	
PGS436060HGS*C	34,200	14.5	12.0	60,000	80.0	46 x 48-3/16 x 32-5/8 (1167 x 1224 x 829)	376 (170)	
PGS436060LGS*C	34,200	14.5	12.0	60,000	80.0	46 x 48-3/16 x 32-5/8 (1167 x 1224 x 829)	376 (170)	
PGS436090HGS*C	34,200	14.5	12.0	90,000	79.3	46 x 48-3/16 x 32-5/8 (1167 x 1224 x 829)	376 (170)	
PGS436090LGS*C	34,200	14.5	12.0	90,000	79.3	46 x 48-3/16 x 32-5/8 (1167 x 1224 x 829)	376 (170)	
PGS442060HGS*C	41,000	14.5	12.0	60,000	78.5	50 x 48-3/16 x 44-1/8 (1267 x 1224 x 1123)	463 (210)	
PGS442060LGS*C	41,000	14.5	12.0	60,000	78.5	50 x 48-3/16 x 44-1/8 (1267 x 1224 x 1123)	463 (210)	
PGS442090HGS*C	41,000	14.5	12.0	90,000	80.4	50 x 48-3/16 x 44-1/8 (1267 x 1224 x 1123)	463 (210)	
PGS442090LGS*C	41,000	14.5	12.0	90,000	80.4	50 x 48-3/16 x 44-1/8 (1267 x 1224 x 1123)	463 (210)	

* - 0 = Standard, 1 = Low NOx

Continued on next page

PGS4 (continued)

UNIT PERFORMANCE DATA (Continued)								
Model Number	Cooling			Heating		Height x Width x Depth in (mm)	Operating Weight lbs (kg)	Notes
	Capacity BTU/h	SEER	EER	Input BTU/h	AFUE %			
PGS448090HGS*C	47,000	14.2	12.0	90,000	80.4	50 x 48-3/16 x 44-1/8 (1267 x 1224 x 1123)	481 (218)	
PGS448090LGS*C	47,000	14.2	12.0	90,000	80.4	50 x 48-3/16 x 44-1/8 (1267 x 1224 x 1123)	481 (218)	
PGS448115HGS*C	47,000	14.2	12.0	115,000	80.3	50 x 48-3/16 x 44-1/8 (1267 x 1224 x 1123)	481 (218)	
PGS448115LGS*C	47,000	14.2	12.0	115,000	80.3	50 x 48-3/16 x 44-1/8 (1267 x 1224 x 1123)	481 (218)	
PGS448130HGS*C	47,000	14.2	12.0	130,000	78.9	50 x 48-3/16 x 44-1/8 (1267 x 1224 x 1123)	481 (218)	
PGS448130LGS*C	47,000	14.2	12.0	130,000	78.9	50 x 48-3/16 x 44-1/8 (1267 x 1224 x 1123)	481 (218)	
PGS460090HGS*C	57,000	14.2	12.0	90,000	80.4	54 x 48-3/16 x 44-1/8 (1368 x 1224 x 1123)	509 (231)	
PGS460090LGS*C	57,000	14.2	12.0	90,000	80.4	54 x 48-3/16 x 44-1/8 (1368 x 1224 x 1123)	509 (231)	
PGS460115HGS*C	57,000	14.2	12.0	115,000	80.3	54 x 48-3/16 x 44-1/8 (1368 x 1224 x 1123)	509 (231)	
PGS460115LGS*C	57,000	14.2	12.0	115,000	80.3	54 x 48-3/16 x 44-1/8 (1368 x 1224 x 1123)	509 (231)	
PGS460130HGS*C	57,000	14.2	12.0	130,000	78.9	54 x 48-3/16 x 44-1/8 (1368 x 1224 x 1123)	509 (231)	
PGS460130LGS*C	57,000	14.2	12.0	130,000	78.9	54 x 48-3/16 x 44-1/8 (1368 x 1224 x 1123)	509 (231)	

* - 0 = Standard, 1 = Low NOx

14 SEER, 12 EER, PACKAGE GAS/ELECTRIC, 2.5 to 5 TONS

208/230-3-60, 460-3-60

REFRIGERATION CIRCUIT

- Environmentally sound R-410A refrigerant
- Scroll compressor standard on all models
- Copper tube/aluminum fin condenser and evaporator coils
- Dehumidification mode (airflow reduction) on all models

EASY TO INSTALL AND SERVICE

- Installs easily on a rooftop or at ground level
- Easy three-panel accessibility for maintenance and installation
- Easily converts to down discharge applications
- Combination gas heating and electric cooling
- Low NOx units available

BUILT TO LAST

- Hail guard (3/8" spacing) wire grilles standard
- Induced-draft combustion and venting
- Direct spark ignition
- Pre-painted steel cabinet
- High Efficiency ECM indoor blower motor on all models
- Aluminized steel tubular heat exchanger
- Vertical condenser fan discharge
- Full perimeter steel base rails
- High and low pressure switches provide added reliability for the compressor

WARRANTY*

- 10 Year heat exchanger limited warranty
- 5 year limited warranty on compressor
- 1 year limited warranty on parts

* Applies to original purchaser/homeowner, some limitations may apply. See warranty certificate for complete details.



As an Energy Star® Partner, International Comfort Products, has determined that this product meets the ENERGY STAR® guidelines for energy efficiency.



Use of the AHRI Certified TM Mark indicates a manufacturer's participation in the program. For verification of certification for individual products, go to www.ahridirectory.org.

UNIT PERFORMANCE DATA								
Model Number	Cooling			Heating		Height x Width x Depth in (mm)	Operating Weight lbs (kg)	Notes
	Capacity BTU/h	SEE R	EER	Input BTU/h	AFUE %			
PGD430040H00*C	28,600	14.5	12.0	40,000	80.0	40 x 48-3/16 x 32-5/8 (1016 x 1224 x 829)	342 (155)	
PGD430060H00*C	28,600	14.5	12.0	60,000	80.0	40 x 48-3/16 x 32-5/8 (1016 x 1224 x 829)	342 (155)	
PGD436060H00*C	34,200	14.5	12.0	60,000	80.0	46 x 48-3/16 x 32-5/8 (1167 x 1224 x 829)	376 (170)	
PGD436060L00*C	34,200	14.5	12.0	60,000	80.0	46 x 48-3/16 x 32-5/8 (1167 x 1224 x 829)	376 (170)	
PGD436090H00*C	34,200	14.5	12.0	90,000	79.3	46 x 48-3/16 x 32-5/8 (1167 x 1224 x 829)	376 (170)	
PGD436090L00*C	34,200	14.5	12.0	90,000	79.3	46 x 48-3/16 x 32-5/8 (1167 x 1224 x 829)	376 (170)	
PGD442060H00*C	41,000	14.5	12.0	60,000	78.5	50 x 48-3/16 x 44-1/8 (1267 x 1224 x 1123)	463 (210)	
PGD442060L00*C	41,000	14.5	12.0	60,000	78.5	50 x 48-3/16 x 44-1/8 (1267 x 1224 x 1123)	463 (210)	
PGD442090H00*C	41,000	14.5	12.0	90,000	80.4	50 x 48-3/16 x 44-1/8 (1267 x 1224 x 1123)	463 (210)	
PGD442090L00*C	41,000	14.5	12.0	90,000	80.4	50 x 48-3/16 x 44-1/8 (1267 x 1224 x 1123)	463 (210)	
PGD448090H00*C	47,000	14.2	12.0	90,000	80.4	50 x 48-3/16 x 44-1/8 (1267 x 1224 x 1123)	481 (218)	
PGD448090L00*C	47,000	14.2	12.0	90,000	80.4	50 x 48-3/16 x 44-1/8 (1267 x 1224 x 1123)	481 (218)	
PGD448115H00*C	47,000	14.2	12.0	115,000	80.3	50 x 48-3/16 x 44-1/8 (1267 x 1224 x 1123)	481 (218)	
PGD448115L00*C	47,000	14.2	12.0	115,000	80.3	50 x 48-3/16 x 44-1/8 (1267 x 1224 x 1123)	481 (218)	

* - 0 = Standard, 1 = Low NOx

Continued on next page

PGD4 (continued)

UNIT PERFORMANCE DATA (Continued)								
Model Number	Cooling			Heating		Height x Width x Depth in (mm)	Operating Weight lbs (kg)	Notes
	Capacity BTU/h	SEER	EER	Input BTU/h	AFUE %			
PGD448130H00*C	47,000	14.2	12.0	130,000	78.9	50 x 48-3/16 x 44-1/8 (1267 x 1224 x 1123)	481 (218)	
PGD448130L00*C	47,000	14.2	12.0	130,000	78.9	50 x 48-3/16 x 44-1/8 (1267 x 1224 x 1123)	481 (218)	
PGD460090H00*C	57,000	14.2	12.0	90,000	80.4	54 x 48-3/16 x 44-1/8 (1368 x 1224 x 1123)	509 (231)	
PGD460090L00*C	57,000	14.2	12.0	90,000	80.4	54 x 48-3/16 x 44-1/8 (1368 x 1224 x 1123)	509 (231)	
PGD460115H00*C	57,000	14.2	12.0	115,000	80.3	54 x 48-3/16 x 44-1/8 (1368 x 1224 x 1123)	509 (231)	
PGD460115L00*C	57,000	14.2	12.0	115,000	80.3	54 x 48-3/16 x 44-1/8 (1368 x 1224 x 1123)	509 (231)	
PGD460130H00*C	57,000	14.2	12.0	130,000	78.9	54 x 48-3/16 x 44-1/8 (1368 x 1224 x 1123)	509 (231)	
PGD460130L00*C	57,000	14.2	12.0	130,000	78.9	54 x 48-3/16 x 44-1/8 (1368 x 1224 x 1123)	509 (231)	

* - 0 = Standard, 1 = Low NOx

14 SEER PACKAGE DUAL FUEL HEAT PUMP, 2.5 to 5 TONS

208/230-3-60

REFRIGERATION CIRCUIT

- Environmentally sound R-410A refrigerant
- Scroll compressor standard on all models
- Copper tube/aluminum fin condenser and evaporator coils
- Dehumidification mode (airflow reduction) on all models

EASY TO INSTALL AND SERVICE

- Installs easily on a rooftop or at ground level
- Easy three-panel accessibility for maintenance and installation
- Easily converts to down discharge applications
- Combination gas heating, heat pump heating and electric cooling
- Low NOx units available

BUILT TO LAST

- Pre-painted steel cabinet
- Induced-draft combustion and venting
- Direct spark ignition
- High efficiency ECM indoor blower motor on all models
- Stainless steel tubular heat exchanger
- Vertical condenser fan discharge
- Full perimeter steel base rails
- High and low pressure switches provide added reliability for the compressor
- Crankcase heaters on all models

WARRANTY*

- 10 year heat exchanger limited warranty
- 5 year compressor limited warranty
- 1 year parts limited warranty

* Applies to original purchaser/homeowner, some limitations may apply. See warranty certificate for complete details.



Use of the AHRI Certified TM Mark indicates a manufacturer's participation in the program. For verification of certification for individual products, go to www.ahridirectory.org.



As an Energy Star® Partner, International Comfort Products, has determined that this product meets the ENERGY STAR® guidelines for energy efficiency.

UNIT PERFORMANCE DATA

Model Number	Cooling			Heat Pump Heating		Gas Heating		Height x Width x Depth in (mm)	Operating Weight lbs (kg)	Notes
	Capacity BTU/h	SEER	EER	Input BTU/h	HSPF	Input BTU/h	AFUE %			
PDS430040HGS*C	28,600	14.2	12.0	29,600	8.0	40,000	80.0	44-1/8x48-3/16x32-5/8 (1121x1224x829)	360 (163)	
PDS430060HGS*C	28,600	14.2	12.0	29,600	8.0	60,000	80.0	44-1/8x48-3/16x32-5/8 (1121x1224x829)	361 (163)	
PDS436060HGS*C	35,800	14.5	12.0	35,800	8.0	60,000	78.5	44-3/4x48-3/16x44-1/8 (1137x1224x1122)	440 (200)	
PDS436090HGS*C	35,800	14.5	12.0	35,800	8.0	90,000	80.4	44-3/4x48-3/16x44-1/8 (1137x1224x1122)	441 (200)	
PDS442060HGS*C	40,500	14.5	12.0	41,500	8.0	60,000	78.5	48-3/4x48-3/16x44-1/8 (1238x1224x1122)	486 (220)	
PDS442090HGS*C	40,500	14.5	12.0	41,500	8.0	90,000	80.4	48-3/4x48-3/16x44-1/8 (1238x1224x1122)	487 (220)	
PDS448090HGS*C	46,500	14.5	12.0	45,500	8.0	90,000	80.4	48-3/4x48-3/16x44-1/8 (1238x1224x1122)	506 (230)	
PDS448115HGS*C	46,500	14.5	12.0	45,500	8.0	115,000	80.3	48-3/4x48-3/16x44-1/8 (1238x1224x1122)	507 (230)	
PDS448130HGS*C	46,500	14.5	12.0	45,500	8.0	130,000	78.9	48-3/4x48-3/16x44-1/8 (1238x1224x1122)	508 (230)	
PDS460090HGS*C	57,000	14.5	12.0	59,000	8.0	90,000	80.4	54-3/4x48-3/16x44-1/8 (1391x1224x1122)	540 (245)	
PDS460115HGS*C	57,000	14.5	12.0	59,000	8.0	115,000	80.3	54-3/4x48-3/16x44-1/8 (1391x1224x1122)	541 (245)	
PDS460130HGS*C	57,000	14.5	12.0	59,000	8.0	130,000	78.9	54-3/4x48-3/16x44-1/8 (1391x1224x1122)	542 (245)	

* - 0 = Standard, 1 = Low NOx

14 SEER PACKAGE DUAL FUEL HEAT PUMP, 2.5 to 5 TONS

208/230-3-60

REFRIGERATION CIRCUIT

- Environmentally sound R-410A refrigerant
- Scroll compressor standard on all models
- Copper tube/aluminum fin condenser and evaporator coils
- Dehumidification mode (airflow reduction) on all models

EASY TO INSTALL AND SERVICE

- Installs easily on a rooftop or at ground level
- Easy three-panel accessibility for maintenance and installation
- Easily converts to down discharge applications
- Combination gas heating, heat pump heating and electric cooling
- Low NOx units available

BUILT TO LAST

- Pre-painted steel cabinet
- Induced-draft combustion and venting
- Direct spark ignition
- High efficiency ECM indoor blower motor on all models
- Aluminized steel tubular heat exchanger
- Vertical condenser fan discharge
- Full perimeter steel base rails
- High and low pressure switches provide added reliability for the compressor
- Crankcase heaters on all models

WARRANTY*

- 10 year heat exchanger limited warranty
- 5 year compressor limited warranty
- 1 year parts limited warranty

* Applies to original purchaser/homeowner, some limitations may apply. See warranty certificate for complete details.



Use of the AHRI Certified TM Mark indicates a manufacturer's participation in the program. For verification of certification for individual products, go to www.ahridirectory.org.



As an Energy Star® Partner, International Comfort Products, has determined that this product meets the ENERGY STAR® guidelines for energy efficiency.

UNIT PERFORMANCE DATA										
Model Number	Cooling			Heating		Gas Heating		Height x Width x Depth in (mm)	Operating Weight lbs (kg)	Notes
	Capacity BTU/h	SEER	EER	Input BTU/h	HSPF	Input BTU/h	AFUE %			
PDD430040H00*C	28,600	14.2	12.0	29,600	8.0	40,000	80.0	44-1/8x48-3/16x32-5/8 (1121x1224x829)	360 (163)	
PDD430060H00*C	28,600	14.2	12.0	29,600	8.0	60,000	80.0	44-1/8x48-3/16x32-5/8 (1121x1224x829)	361 (163)	
PDD436060H00*C	35,800	14.5	12.0	35,800	8.0	60,000	78.5	44-3/4x48-3/16x44-1/8 (1137x1224x1122)	440 (200)	
PDD436090H00*C	35,800	14.5	12.0	35,800	8.0	90,000	80.4	44-3/4x48-3/16x44-1/8 (1137x1224x1122)	441 (200)	
PDD442060H00*C	40,500	14.5	12.0	41,500	8.0	60,000	78.5	48-3/4x48-3/16x44-1/8 (1238x1224x1122)	486 (220)	
PDD442090H00*C	40,500	14.5	12.0	41,500	8.0	90,000	80.4	48-3/4x48-3/16x44-1/8 (1238x1224x1122)	487 (220)	
PDD448090H00*C	46,500	14.5	12.0	45,500	8.0	90,000	80.4	48-3/4x48-3/16x44-1/8 (1238x1224x1122)	506 (230)	
PDD448115H00*C	46,500	14.5	12.0	45,500	8.0	115,000	80.3	48-3/4x48-3/16x44-1/8 (1238x1224x1122)	507 (230)	
PDD448130H00*C	46,500	14.5	12.0	45,500	8.0	130,000	78.9	48-3/4x48-3/16x44-1/8 (1238x1224x1122)	508 (230)	
PDD460090H00*C	57,000	14.5	12.0	59,000	8.0	90,000	80.4	54-3/4x48-3/16x44-1/8 (1391x1224x1122)	540 (245)	
PDD460115H00*C	57,000	14.5	12.0	59,000	8.0	115,000	80.3	54-3/4x48-3/16x44-1/8 (1391x1224x1122)	541 (245)	
PDD460130H00*C	57,000	14.5	12.0	59,000	8.0	130,000	78.9	54-3/4x48-3/16x44-1/8 (1391x1224x1122)	542 (245)	

* - 0 = Standard, 1 = Low NOx

14 SEER PACKAGE AIR CONDITIONER, 2.5 to 5 TONS

208/230-3-60, 460-3-60

REFRIGERATION CIRCUIT

- Environmentally sound R-410A refrigerant
- Scroll compressor standard on all models
- Copper tube/aluminum fin condenser and evaporator coils
- Dehumidification mode (airflow reduction) on all models

EASY TO INSTALL AND SERVICE

- Installs easily on a rooftop or at ground level
- Easy three-panel accessibility for maintenance and installation
- Easily converts to down discharge applications

BUILT TO LAST

- Hail guard (3/8" spacing) wire grilles standard
- Pre-painted steel cabinet
- High Efficiency ECM indoor blower motor on all models
- Vertical condenser fan discharge
- Full perimeter steel base rails
- High and low pressure switches provide added reliability for the compressor

WARRANTY*

- 5 year compressor limited warranty
- 1 year parts limited warranty

* Applies to original purchaser/homeowner, some limitations may apply. See warranty certificate for complete details.



As an Energy Star® Partner, International Comfort Products, has determined that this product meets the ENERGY STAR® guidelines for energy efficiency.



Use of the AHRI Certified TM Mark indicates a manufacturer's participation in the program. For verification of certification for individual products, go to www.ahridirectory.org.

UNIT PERFORMANCE DATA						
Model Number	Cooling			Height x Width x Depth in (mm)	Operating Weight lbs (kg)	Notes
	Capacity BTU/h	SEER	EER			
PAD430000H000C	28,600	14.5	12.0	40 x 48-3/16 x 32-5/8 (1016 x 1224 x 829)	300 (136)	
PAD436000H000C	34,200	14.5	12.0	46 x 48-3/16 x 32-5/8 (1168 x 1224 x 829)	358 (162)	
PAD436000L000C	34,200	14.5	12.0	46 x 48-3/16 x 32-5/8 (1168 x 1224 x 829)	358 (162)	
PAD442000H000C	41,000	14.5	12.0	49-7/8 x 48-3/16 x 44-1/8 (1266 x 1224 x 1123)	412 (187)	
PAD442000L000C	41,000	14.5	12.0	49-7/8 x 48-3/16 x 44-1/8 (1266 x 1224 x 1123)	412 (187)	
PAD448000H000C	47,000	14.2	12.0	49-7/8 x 48-3/16 x 44-1/8 (1266 x 1224 x 1123)	430 (195)	
PAD448000L000C	47,000	14.2	12.0	49-7/8 x 48-3/16 x 44-1/8 (1266 x 1224 x 1123)	430 (195)	
PAD460000H000C	57,000	14.2	12.0	53-7/8 x 48-3/16 x 44-1/8 (1368 x 1224 x 1123)	458 (208)	
PAD460000L000C	57,000	14.2	12.0	53-7/8 x 48-3/16 x 44-1/8 (1368 x 1224 x 1123)	458 (208)	

14 SEER PACKAGE HEAT PUMP, 2.5 to 5 TONS

208/230-3-60, 460-3-60

REFRIGERATION CIRCUIT

- Environmentally sound R-410A refrigerant
- Scroll compressor standard on all models
- Copper tube/aluminum fin condenser and evaporator coils
- Dehumidification mode (airflow reduction) on all models
- Short-cycling protection for the compressor is built into the defrost control board

EASY TO INSTALL AND SERVICE

- Installs easily on a rooftop or at ground level
- Easy three-panel accessibility for maintenance and installation
- Easily converts to down discharge applications
- Combination electric heating and cooling

BUILT TO LAST

- Hail guard (3/8" spacing) wire grilles standard
- Pre-painted steel cabinet
- High Efficiency ECM indoor blower motor on all models
- Full perimeter steel base rails
- High and low pressure switches provide added reliability for the compressor

WARRANTY*

- 5 year compressor limited warranty
- 1 year parts limited warranty

* Applies to original purchaser/homeowner, some limitations may apply. See warranty certificate for complete details.



As an Energy Star® Partner, International Comfort Products, has determined that this product meets the ENERGY STAR® guidelines for energy efficiency.



Use of the AHRI Certified TM Mark indicates a manufacturer's participation in the program. For verification of certification for individual products, go to www.ahridirectory.org.



UNIT PERFORMANCE DATA								
Model Number	Cooling			Heat Pump		Height x Width x Depth in (mm)	Operating Weight lbs (kg)	Notes
	Capacity BTU/h	SEER	EER	Capacity BTU/h	HSPF			
PHD430000H000D	28,600	14.2	12.0	29,000	8.0	44 1/8 x 48 3/16 x 32 5/8 (1121 x 1224 x 829)	340 (154)	
PHD436000H000D	35,800	14.5	12.0	34,800	8.0	44 3/4 x 48 3/16 x 44 3/16 (1137 x 1224 x 1122)	418 (190)	
PHD436000L000D	35,800	14.5	12.0	34,800	8.0	44 3/4 x 48 3/16 x 44 3/16 (1137 x 1224 x 1122)	418 (190)	
PHD442000H000D	40,500	14.5	12.0	40,500	8.0	48 3/4 x 48 3/16 x 44 3/16 (1238 x 1224 x 1122)	464 (210)	
PHD442000L000D	40,500	14.5	12.0	40,500	8.0	48 3/4 x 48 3/16 x 44 3/16 (1238 x 1224 x 1122)	464 (210)	
PHD448000H000D	46,500	14.5	12.0	45,500	8.0	48 3/4 x 48 3/16 x 44 3/16 (1238 x 1224 x 1122)	452 (205)	
PHD448000L000D	46,500	14.5	12.0	45,500	8.0	48 3/4 x 48 3/16 x 44 3/16 (1238 x 1224 x 1122)	452 (205)	
PHD460000H000D	57,000	14.5	12.0	60,000	8.0	54 3/4 x 48 3/16 x 44 3/16 (1391 x 1224 x 1122)	506 (230)	
PHD460000L000D	57,000	14.5	12.0	60,000	8.0	54 3/4 x 48 3/16 x 44 3/16 (1391 x 1224 x 1122)	506 (230)	

13 SEER PACKAGE GAS/ELECTRIC, 2.5 to 5 TONS

208/230-3-60, 460-3-60

REFRIGERATION CIRCUIT

- Environmentally sound R-410A refrigerant
- Scroll compressor standard on all models
- Copper tube/aluminum fin condenser and evaporator coils
- Dehumidification mode (airflow reduction) on all models

EASY TO INSTALL AND SERVICE

- Installs easily on a rooftop or at ground level
- Easy three-panel accessibility for maintenance and installation
- Easily converts to down discharge applications
- Combination gas heating and electric cooling
- Low NOx units available

BUILT TO LAST

- Induced-draft combustion and venting
- Pre-painted steel cabinet
- Direct spark ignition
- High efficiency ECM indoor blower motor on all models
- Stainless steel tubular heat exchanger
- Vertical condenser fan discharge
- Full perimeter steel base rails
- High and low pressure switches provide added reliability for the compressor

WARRANTY*

- 10 year heat exchanger limited warranty
- 5 year compressor limited warranty
- 1 year parts limited warranty

* Applies to original purchaser/homeowner, some limitations may apply. See warranty certificate for complete details.



Use of the AHRI Certified TM Mark indicates a manufacturer's participation in the program. For verification of certification for individual products, go to www.ahridirectory.org.

UNIT PERFORMANCE DATA								
Model Number	Cooling			Heating		Height x Width x Depth in (mm)	Operating Weight lbs (kg)	Notes
	Capacity BTU/h	SEER	EER	Input BTU/h	AFUE %			
PGS330040HGS*C	28,600	13.5	11.2	40,000	80.0	42x48-3/16x32-5/8 (1066x1224x829)	309 (140)	
PGS330040LGS*C	28,600	13.5	11.2	40,000	80.0	42x48-3/16x32-5/8 (1066x1224x829)	309 (140)	
PGS330060HGS*C	28,600	13.5	11.2	60,000	80.0	42x48-3/16x32-5/8 (1066x1224x829)	309 (140)	
PGS330060LGS*C	28,600	13.5	11.2	60,000	80.0	42x48-3/16x32-5/8 (1066x1224x829)	309 (140)	
PGS336060HGS*C	34,400	13.0	11.0	60,000	80.0	46x48-3/16x32-5/8 (1016x1224x829)	319 (144)	
PGS336060LGS*C	34,400	13.0	11.0	60,000	80.0	46x48-3/16x32-5/8 (1016x1224x829)	319 (144)	
PGS336090HGS*C	34,400	13.0	11.0	90,000	79.3	46x48-3/16x32-5/8 (1016x1224x829)	319 (144)	
PGS336090LGS*C	34,400	13.0	11.0	90,000	79.3	46x48-3/16x32-5/8 (1016x1224x829)	319 (144)	
PGS342060HGS*C	40,500	13.2	11.2	60,000	78.5	40x48-3/16x44-1/8 (1016x1224x1123)	411 (186)	
PGS342060LGS*C	40,500	13.2	11.2	60,000	78.5	40x48-3/16x44-1/8 (1016x1224x1123)	411 (186)	
PGS342090HGS*C	40,500	13.2	11.2	90,000	80.4	40x48-3/16x44-1/8 (1016x1224x1123)	411 (186)	
PGS342090LGS*C	40,500	13.2	11.2	90,000	80.4	40x48-3/16x44-1/8 (1016x1224x1123)	411 (186)	

* - 0 = Standard, 1 = Low NOx

Continued on next page

PGS3 (continued)

UNIT PERFORMANCE DATA								
Model Number	Cooling			Heating		Height x Width x Depth in (mm)	Operating Weight lbs (kg)	Notes
	Capacity BTU/h	SEER	EER	Input BTU/h	AFUE %			
PGS348090HGS*C	46,500	13.2	11.2	90,000	80.4	42x48-3/16x44-1/8 (1016x1224x1123)	419 (190)	
PGS348090LGS*C	46,500	13.2	11.2	90,000	80.4	42x48-3/16x44-1/8 (1016x1224x1123)	419 (190)	
PGS348115HGS*C	46,500	13.2	11.2	115,000	80.3	42x48-3/16x44-1/8 (1016x1224x1123)	419 (190)	
PGS348115LGS*C	46,500	13.2	11.2	115,000	80.3	42x48-3/16x44-1/8 (1016x1224x1123)	419 (190)	
PGS348130HGS*C	46,500	13.2	11.2	130,000	78.9	42x48-3/16x44-1/8 (1016x1224x1123)	419 (190)	
PGS348130LGS*C	46,500	13.2	11.2	130,000	78.9	42x48-3/16x44-1/8 (1016x1224x1123)	419 (190)	
PGS360090HGS*C	57,000	13.4	11.0	90,000	80.4	42x48-3/16x44-1/8 (1016x1224x1123)	419 (190)	
PGS360090LGS*C	57,000	13.4	11.0	90,000	80.4	42x48-3/16x44-1/8 (1016x1224x1123)	419 (190)	
PGS360115HGS*C	57,000	13.4	11.0	115,000	80.3	42x48-3/16x44-1/8 (1016x1224x1123)	441 (200)	
PGS360115LGS*C	57,000	13.4	11.0	115,000	80.3	42x48-3/16x44-1/8 (1016x1224x1123)	441 (200)	
PGS360130HGS*C	57,000	13.4	11.0	130,000	78.9	42x48-3/16x44-1/8 (1016x1224x1123)	441 (200)	
PGS360130LGS*C	57,000	13.4	11.0	130,000	78.9	42x48-3/16x44-1/8 (1016x1224x1123)	441 (200)	

* - 0 = Standard, 1 = Low NOx

13 SEER PACKAGE GAS/ELECTRIC, 2.5 to 5 TONS

208/230-3-60, 460-3-60

REFRIGERATION CIRCUIT

- Environmentally sound R-410A refrigerant
- Scroll compressor standard on all models
- Copper tube/aluminum fin condenser and evaporator coils
- Dehumidification mode (airflow reduction) on all models

EASY TO INSTALL AND SERVICE

- Installs easily on a rooftop or at ground level
- Easy three-panel accessibility for maintenance and installation
- Easily converts to down discharge applications
- Combination gas heating and electric cooling
- Low NOx units available

BUILT TO LAST

- Induced-draft combustion and venting
- Direct spark ignition
- Pre-painted steel cabinet
- High efficiency ECM indoor blower motor on all models
- Aluminized steel tubular heat exchanger
- Vertical condenser fan discharge
- Full perimeter steel base rails
- High and low pressure switches provide added reliability for the compressor

WARRANTY*

- 10 year heat exchanger limited warranty
- 5 year compressor limited warranty
- 1 year parts limited warranty

* Applies to original purchaser/homeowner, some limitations may apply. See warranty certificate for complete details.



Use of the AHRI Certified TM Mark indicates a manufacturer's participation in the program. For verification of certification for individual products, go to www.ahridirectory.org.

UNIT PERFORMANCE DATA								
Model Number	Cooling			Heating		Height x Width x Depth in (mm)	Operating Weight lbs (kg)	Notes
	Capacity BTU/h	SEER	EER	Input BTU/h	AFUE %			
PGD330040H00*C	28,600	13.5	11.2	40,000	80.0	42x48-3/16x32-5/8 (1066x1224x829)	309 (140)	
PGD330040L00*C	28,600	13.5	11.2	40,000	80.0	42x48-3/16x32-5/8 (1066x1224x829)	309 (140)	
PGD330060H00*C	28,600	13.5	11.2	60,000	80.0	42x48-3/16x32-5/8 (1066x1224x829)	309 (140)	
PGD330060L00*C	28,600	13.5	11.2	60,000	80.0	42x48-3/16x32-5/8 (1066x1224x829)	309 (140)	
PGD336060H00*C	34,400	13.0	11.0	60,000	80.0	46x48-3/16x32-5/8 (1016x1224x829)	319 (144)	
PGD336060L00*C	34,400	13.0	11.0	60,000	80.0	46x48-3/16x32-5/8 (1016x1224x829)	319 (144)	
PGD336090H00*C	34,400	13.0	11.0	90,000	79.3	46x48-3/16x32-5/8 (1016x1224x829)	319 (144)	
PGD336090L00*C	34,400	13.0	11.0	90,000	79.3	46x48-3/16x32-5/8 (1016x1224x829)	319 (144)	
PGD342060H00*C	40,500	13.2	11.2	60,000	78.5	40x48-3/16x44-1/8 (1016x1224x1123)	411 (186)	
PGD342060L00*C	40,500	13.2	11.2	60,000	78.5	40x48-3/16x44-1/8 (1016x1224x1123)	411 (186)	
PGD342090H00*C	40,500	13.2	11.2	90,000	80.4	40x48-3/16x44-1/8 (1016x1224x1123)	411 (186)	
PGD342090L00*C	40,500	13.2	11.2	90,000	80.4	40x48-3/16x44-1/8 (1016x1224x1123)	411 (186)	

* - 0 = Standard, 1 = Low NOx

Continued on next page

PGD3 (continued)

UNIT PERFORMANCE DATA (Continued)								
Model Number	Cooling			Heating		Height x Width x Depth in (mm)	Operating Weight lbs (kg)	Notes
	Capacity BTU/h	SEER	EER	Input BTU/h	AFUE %			
PGD348090H00*C	46,500	13.2	11.2	90,000	80.4	42x48-3/16x44-1/8 (1016x1224x1123)	419 (190)	
PGD348090L00*C	46,500	13.2	11.2	90,000	80.4	42x48-3/16x44-1/8 (1016x1224x1123)	419 (190)	
PGD348115H00*C	46,500	13.2	11.2	115,000	80.3	42x48-3/16x44-1/8 (1016x1224x1123)	419 (190)	
PGD348115L00*C	46,500	13.2	11.2	115,000	80.3	42x48-3/16x44-1/8 (1016x1224x1123)	419 (190)	
PGD348130H00*C	46,500	13.2	11.2	130,000	78.9	42x48-3/16x44-1/8 (1016x1224x1123)	419 (190)	
PGD348130L00*C	46,500	13.2	11.2	130,000	78.9	42x48-3/16x44-1/8 (1016x1224x1123)	419 (190)	
PGD360090H00*C	57,000	13.4	11.0	90,000	80.4	42x48-3/16x44-1/8 (1016x1224x1123)	419 (190)	
PGD360090L00*C	57,000	13.4	11.0	90,000	80.4	42x48-3/16x44-1/8 (1016x1224x1123)	419 (190)	
PGD360115H00*C	57,000	13.4	11.0	115,000	80.3	42x48-3/16x44-1/8 (1016x1224x1123)	441 (200)	
PGD360115L00*C	57,000	13.4	11.0	115,000	80.3	42x48-3/16x44-1/8 (1016x1224x1123)	441 (200)	
PGD360130H00*C	57,000	13.4	11.0	130,000	78.9	42x48-3/16x44-1/8 (1016x1224x1123)	441 (200)	
PGD360130L00*C	57,000	13.4	11	130,000	78.9	42x48-3/16x44-1/8 (1016x1224x1123)	441 (200)	

* - 0 = Standard, 1 = Low NOx

13 SEER PACKAGE DUAL FUEL HEAT PUMP, 2.5 to 5 TONS

208/230-3-60

REFRIGERATION CIRCUIT

- Environmentally sound R-410A refrigerant
- Scroll compressor standard on all models
- Copper tube/aluminum fin condenser and evaporator coils
- Dehumidification mode (airflow reduction) on all models

EASY TO INSTALL AND SERVICE

- Installs easily on a rooftop or at ground level
- Easy three-panel accessibility for maintenance and installation
- Easily converts to down discharge applications
- Combination gas heating, heat pump heating and electric cooling
- Low NOx units available

BUILT TO LAST

- Induced-draft combustion and venting
- Direct spark ignition
- Pre-painted steel cabinet
- High efficiency ECM indoor blower motor on all models
- Stainless steel tubular heat exchanger
- Vertical condenser fan discharge
- Full perimeter steel base rails
- High and low pressure switches provide added reliability for the compressor

WARRANTY*

- 10 year heat exchanger limited warranty
- 5 year compressor limited warranty
- 1 year parts limited warranty

* Applies to original purchaser/homeowner, some limitations may apply. See warranty certificate for complete details.



Use of the AHRI Certified TM Mark indicates a manufacturer's participation in the program. For verification of certification for individual products, go to www.ahridirectory.org.

UNIT PERFORMANCE DATA										
Model Number	Cooling			Heat Pump Heating		Gas Heating		Height x Width x Depth in (mm)	Operating Weight lbs (kg)	Notes
	Capacity BTU/h	SEER	EER	Input BTU/h	HSPF	Input BTU/h	AFUE %			
PDS330040HGS*C	29,000	13.5	11.5	29,000	7.7	40,000	80.0	42-1/8x48-3/16x32-5/8 (1070x1224x829)	365 (165)	
PDS330060HGS*C	29,000	13.5	11.5	29,000	7.7	60,000	80.0		365 (165)	
PDS336060HGS*C	35,000	13.5	11.5	35,000	7.7	60,000	80.0		372 (168)	
PDS336090HGS*C	35,000	13.5	11.5	35,000	7.7	90,000	79.3	44-3/4x48-3/16x44-1/8 (1137x1224x1123)	372 (168))	
PDS342060HGS*C	40,000	13.2	11.5	40,000	7.7	60,000	78.5		453 (205)	
PDS342090HGS*C	40,000	13.2	11.5	40,000	7.7	90,000	80.4		453 (205)	
PDS348090HGS*C	47,000	13.5	11.5	46,500	7.7	90,000	80.4		474 (215)	
PDS348115HGS*C	47,000	13.5	11.5	46,500	7.7	115,000	80.3		474 (215)	
PDS348130HGS*C	47,000	13.5	11.5	46,500	7.7	130,000	78.9		474 (215)	
PDS360090HGS*C	57,000	13.5	11.5	57,000	7.7	90,000	80.4		498 (226)	
PDS360115HGS*C	57,000	13.5	11.5	57,000	7.7	115,000	80.3	48-3/4x48-3/16x44-1/8 (1266x1224x1123)	498 (226)	
PDS360130HGS*C	57,000	13.5	11.5	57,000	7.7	130,000	78.9		498 (226)	

* - 0 = Standard, 1 = Low NOx

13 SEER PACKAGE DUAL FUEL HEAT PUMP, 2.5 to 5 TONS

208/230-3-60

REFRIGERATION CIRCUIT

- Environmentally sound R-410A refrigerant
- Scroll compressor standard on all models
- Copper tube/aluminum fin condenser and evaporator coils
- Dehumidification mode (airflow reduction) on all models

EASY TO INSTALL AND SERVICE

- Installs easily on a rooftop or at ground level
- Easy three-panel accessibility for maintenance and installation
- Easily converts to down discharge applications
- Combination gas heating, heat pump heating and electric cooling
- Low NOx units available

BUILT TO LAST

- Induced-draft combustion and venting
- Direct spark ignition
- Pre-painted steel cabinet
- High efficiency ECM indoor blower motor on all models
- Aluminized steel tubular heat exchanger
- Vertical condenser fan discharge
- Full perimeter steel base rails
- High and low pressure switches provide added reliability for the compressor

WARRANTY*

- 10 year heat exchanger limited warranty
- 5 year compressor limited warranty
- 1 year parts limited warranty

* Applies to original purchaser/homeowner, some limitations may apply. See warranty certificate for complete details.



Use of the AHRI Certified TM Mark indicates a manufacturer's participation in the program. For verification of certification for individual products, go to www.ahridirectory.org.

UNIT PERFORMANCE DATA										
Model Number	Cooling			Heat Pump Heating		Gas Heating		Height x Width x Depth in (mm)	Operating Weight lbs (kg)	Notes
	Capacity BTU/h	SEER	EER	Input BTU/h	HSPF	Input BTU/h	AFUE %			
PDD330040H00*C	29,000	13.5	11.5	29,000	7.7	40,000	80.0	42-1/8x48-3/16x32-5/8 (1070x1224x829)	365 (165)	
PDD330060H00*C	29,000	13.5	11.5	29,000	7.7	60,000	80.0		365 (165)	
PDD336060H00*C	35,000	13.5	11.5	35,000	7.7	60,000	80.0		372 (168)	
PDD336090H00*C	35,000	13.5	11.5	35,000	7.7	90,000	79.3	44-3/4x48-3/16x44-1/8 (1137x1224x1123)	372 (168)	
PDD342060H00*C	40,000	13.2	11.5	40,000	7.7	60,000	78.5		453 (205)	
PDD342090H00*C	40,000	13.2	11.5	40,000	7.7	90,000	80.4		453 (205)	
PDD348090H00*C	47,000	13.5	11.5	46,500	7.7	90,000	80.4		474 (215)	
PDD348115H00*C	47,000	13.5	11.5	46,500	7.7	115,000	80.3		474 (215)	
PDD348130H00*C	47,000	13.5	11.5	46,500	7.7	130,000	78.9		474 (215)	
PDD360090H00*C	57,000	13.5	11.5	57,000	7.7	90,000	80.4		48-3/4x48-3/16x44-1/8 (1266x1224x1123)	498 (226)
PDD360115H00*C	57,000	13.5	11.5	57,000	7.7	115,000	80.3	498 (226)		
PDD360130H00*C	57,000	13.5	11.5	57,000	7.7	130,000	78.9	498 (226)		

* - 0 = Standard, 1 = Low NOx

13 SEER PACKAGE AIR CONDITIONER, 2.5 to 5 TONS

208/230-3-60, 460-3-60

REFRIGERATION CIRCUIT

- Environmentally sound R-410A refrigerant
- Scroll compressor standard on all models
- Copper tube/aluminum fin condenser and evaporator coils

EASY TO INSTALL AND SERVICE

- Installs easily on a rooftop or at ground level
- Easy three-panel accessibility for maintenance and installation
- Easily converts to down discharge applications

BUILT TO LAST

- Pre-painted steel cabinet
- High efficiency ECM indoor blower motor on all models
- Vertical condenser fan discharge
- Full perimeter steel base rails
- High and low pressure switches provide added reliability for the compressor

WARRANTY*

- 5 year compressor limited warranty
- 1 year parts limited warranty

* Applies to original purchaser/homeowner, some limitations may apply. See warranty certificate for complete details.



Use of the AHRI Certified TM Mark indicates a manufacturer's participation in the program. For verification of certification for individual products, go to www.ahrirectory.org.

UNIT PERFORMANCE DATA						
Model Number	Cooling			Height x Width x Depth in (mm)	Operating Weight lbs (kg)	Notes
	Capacity BTU/h	SEER	EER			
PAD330000H000C	28,600	13.5	11.2	42 x 48 3/16 x 32 5/8 (1065 x 1224 x 829)	277 (125)	
PAD336000H000C	34,400	13.0	11.0	46 x 48 3/16 x 32 5/8 (1016 x 1224 x 829)	283 (128)	
PAD336000L000C	34,400	13.0	11.0	46 x 48 3/16 x 32 5/8 (1016 x 1224 x 829)	283 (128)	
PAD342000H000C	40,500	13.2	11.2	40 x 48-3/16 x 44-1/8 (1016 x 1224 x 1123)	369 (167)	
PAD342000L000C	40,500	13.2	11.2	40 x 48-3/16 x 44-1/8 (1016 x 1224 x 1123)	369 (167)	
PAD348000H000C	46,500	13.2	11.2	42 x 48 3/16 x 44 1/8 (1066 x 1224 x1123)	375 (170)	
PAD348000L000C	46,500	13.2	11.2	42 x 48 3/16 x 44 1/8 (1066 x 1224 x1123)	375 (170)	
PAD360000H000C	57,000	13.4	11.0	42 x 48 3/16 x 44 1/8 (1066 x 1224 x1123)	397 (180)	
PAD360000L000C	57,000	13.4	11.0	42 x 48 3/16 x 44 1/8 (1066 x 1224 x1123)	397 (180)	

13 SEER PACKAGE HEAT PUMP, 2.5 to 5 TONS

208/230-3-60, 460-3-60

REFRIGERATION CIRCUIT

- Environmentally sound R-410A refrigerant
- Scroll compressor standard on all models
- Copper tube/aluminum fin condenser and evaporator coils
- Dehumidification mode (airflow reduction) on all models
- Short-cycling protection for the compressor is built into the defrost control board

EASY TO INSTALL AND SERVICE

- Installs easily on a rooftop or at ground level
- Easy three-panel accessibility for maintenance and installation
- Easily converts to down discharge applications
- Combination electric heating and cooling

BUILT TO LAST

- 2" spacing wire grilles standard on all models
- Pre-painted steel cabinet
- High efficiency ECM indoor blower motor on all models
- Vertical condenser fan discharge
- Full perimeter steel base rails
- High and low pressure switches provide added reliability for the compressor

WARRANTY*

- 5 year compressor limited warranty
- 1 year parts limited warranty

* Applies to original purchaser/homeowner, some limitations may apply. See warranty certificate for complete details.



Use of the AHRI Certified TM Mark indicates a manufacturer's participation in the program. For verification of certification for individual products, go to www.ahridirectory.org.

UNIT PERFORMANCE DATA								
Model Number	Cooling			Heat Pump		Height x Width x Depth in (mm)	Operating Weight lbs (kg)	Notes
	Capacity BTU/h	SEER	EER	Capacity BTU/h	HSPF			
PHD330000H000C	29,000	13.5	11.5	29,000	7.7	42-1/8 x 48-3/16 x 32-5/8 (1070 x 1224 x 829)	332 (150)	
PHD336000H000C	35,000	13.5	11.5	35,000	7.7		336 (152)	
PHD336000L000C	35,000	13.5	11.5	35,000	7.7		336 (152)	
PHD342000H000C	40,000	13.2	11.5	40,000	7.7	44-3/4 x 48-3/16 x 44-1/8 (1137 x 1224 x 1123)	441 (186)	
PHD342000L000C	40,000	13.2	11.5	40,000	7.7		441 (186)	
PHD348000H000C	47,000	13.5	11.5	46,500	7.7		429 (194)	
PHD348000L000C	47,000	13.5	11.5	46,500	7.7		429 (194)	
PHD360000H000C	57,000	13.5	11.5	57,000	7.7	48-3/4 x 48-3/16 x 44-1/8 (1266 x 1224 x 1123)	454 (206)	
PHD360000L000C	57,000	13.5	11.5	57,000	7.7		454 (206)	

Accessory Model Number	Description	Use With	Notes
CURBS			
CPRFCURB010A00	Roof Curb, 11" High	30 - 60	
CPRFCURB011A00	Roof Curb, 14" High	30 - 60	
CPRFCURB012A00	Roof Curb, 11" High	42 - 60	
CPRFCURB013A00	Roof Curb, 14" High	42 - 60	
Note: CPRFCURB010A00 & CPRFCURB011A00 can be used with PGD342-60, PGS342-60, PAD342-60 units with some overhang.			
ADAPTER CURBS*			
CPADCURB001A00	Adapter Curb for use with NPRFCURB006A00 & NPRFCURB007A00	30 - 36	
CPADCURB002A00	Adapter Curb for use with NPRFCURB008A00 & NPRFCURB009A00	42 - 60	
* Can also be used when replacing other manufacturer's older generation units that contains a composite base without a metal base rail.			
CONCENTRIC ADAPTORS - (Use with curb only)			
NPCONADP001A00	For 18" round duct (use with curbs CPRFCURB010A00, CPRFCURB011A00)	Small Curb	
NPCONADP002A00	For 18" round duct (use with curbs CPRFCURB012A00, CPRFCURB013A00)	Large Curb	
ECONOMIZERS			
CPECOMZR007A00	Dedicated Vertical Economizer - Internal with solid state controller, gear driven, fully modulating damper, spring return actuator, supply air sensor, up to 50% barometric relief, supply and dry outdoor air sensors. INcludes filter rack with 1" filter*.	30, 36	
CPECOMZR008A00		42, 48	
CPECOMZR009A00		60	
CPECOMZR010A00	Dedicated Horizontal Economizer - Internal with solid state controller, fully modulating damper, spring return actuator, supply air sensor, outdoor air sensor, and low ambient compressor lockout switch included. Includes filter rack with 1-inch filters*.	30 - 36	
CPECOMZR011A00		42 - 48	
CPECOMZR012A00		60	
CPRLYKIT001A00	Economizer Relay for Heat Pumps	ALL	
AXB078ENT	Outdoor Enthalpy Control	ALL	
* Outdoor enthalpy available as field installed accessory; Filter rack and filter same as 'CPFILTRK' kit.			
DAMPERS			
CPMANDPR007A00	Manual Outside Air Damper - External w/filter rack and 1" filter	30 - 36	
CPMANDPR008A00		42 - 48	
CPMANDPR009A00		60	
INTERNAL FILTER RACKS			
CPFILTRK007A00	Internal Filter Rack (includes 1-inch filters)	30 - 36	
CPFILTRK008A00		42 - 48	
CPFILTRK009A00		60	
CRANKCASE HEATER - BELLY BAND TYPE			
NPCRKHTR008A00	240V Crankcase Heater	30 - 36	
NPCRKHTR004A00	240V Crankcase Heater (Included on 60 size models)	42 - 48	
NPCRKHTR009A00	480V Crankcase Heater	30 - 36	
NPCRKHTR005A00	480V Crankcase Heater (Included on 60 size models)	42 - 48	
LOW AMBIENT, ANTI-CYCLE TIMER, COMPRESSOR START ASSIST			
CPLOWAMB001A00	Low Ambient Control - enables cooling system to operate down to 0 Deg. F by cycling condenser fan on and off.	ALL	
NRTIMEGD001A00	Five Minute Compressor Delay	ALL	
GAS CONVERSION KITS			
NPLPCONV013B00	Natural to LP Conversion Kit (0 - 2000')	ALL	
NPLPCONV014B00	Natural to LP Conversion Kit (2001' - 6000')	ALL	
NPNGCONV004B00	LP to Natural Gas Conversion Kit (0 - 2000')	ALL	
FLUE DISCHARGE DEFLECTOR			
CRFLUEDS001A00	Directs flue gas exhaust 90 degrees upward from current discharge. Designed to allow tighter distances between unit and combustible surfaces. 24 inch Height. AGA certified.	ALL	

continued on next page

PGD3, PGS3, PAD3, PHD3, PDD3, PDS3

Three Phase Model Accessories

Accessories

Accessory Model Number	Description	Use With	Notes
HAIL GUARDS / COIL PROTECTION FOR PGD3, PGS3, PAD3			
NAPA00501GR	3/8" spacing dense wire grilles	30	
NAPA00901GR	3/8" spacing dense wire grilles	36	
NAPA00601GR	3/8" spacing dense wire grilles	42	
NAPA00801GR	3/8" spacing dense wire grilles	48 - 60	
HAIL GUARDS / COIL PROTECTION FOR PHD3, PDD3, PDS3			
NAPA00501GR	3/8" spacing dense wire grilles	30 - 36	
NAPA00601GR	3/8" spacing dense wire grilles	42 - 48	
NAPA01001GR	3/8" spacing dense wire grilles	60	
DUCT TRANSITIONS			
NPDUCFLG002A00	Square to 14" Round (1 set of 2, use with horizontal duct flanges only)	30 - 48	
ELECTRIC HEATERS FOR PAD3 208 / 240V (3-Phase)			
MODEL	Nominal Capacity (kW)	Use With	Notes
EHNA05H0N	3.8 / 5.0	ALL	
EHNA10H0N	7.5 / 10.0	ALL	
EHNA10H6F	7.5 / 10.0	ALL	
EHNA15H0N	11.3 / 15.0	ALL	
EHNA15H6F	11.3 / 15.0	ALL	
EHNA20H6F	15.0 / 20.0	42 - 60	
ELECTRIC HEATERS FOR PHD3 208 / 240V (3-Phase)			
EHNA05H0N	3.8 / 5.0	ALL	
EHNA10H0N	7.5 / 10.0	30 - 48	
EHNA10H6F	7.5 / 10.0	ALL	
EHNA15H6F	11.3 / 15.0	ALL	
EHNA20H6F	15.0 / 20.0	42 - 60	
ELECTRIC HEATERS FOR PAD3 AND PHD3 460V (3-Phase)			
EHNA05L0N	5.0	ALL	
EHNA10L0N	10.0	ALL	
EHNA15L0N	15.0	ALL	
EHNA20L0N	20.0	42 - 60	

REFER TO PRODUCT SPECIFICATIONS FOR EXACT ACCESSORY MATCH.

Accessory Model Number	Description	Use With			Notes
		PDS4, PDD4	PGD4, PGS4, PAD4	PHD4	
CURBS					
CPRFCURB010A00	Roof Curb, 11" High	30	30 - 60	30	
CPRFCURB011A00	Roof Curb, 14" High	30	30 - 60	30	
CPRFCURB012A00	Roof Curb, 11" High	36 - 60	42 - 60	36 - 60	
CPRFCURB013A00	Roof Curb, 14" High	36 - 60	42 - 60	36 - 60	
Note: CPRFCURB010A00 & CPRFCURB011A00 can be used with PGD342-60, PGS342-60, PAD342-60 units with some overhang.					
ADAPTER CURBS*					
CPADCURB001A00	Adapter Curb for use with NPRFCURB006A00 & NPRFCURB007A00	30	30 - 36	30	
CPADCURB002A00	Adapter Curb for use with NPRFCURB008A00 & NPRFCURB009A00	36 - 60	42 - 60	36 - 60	
* Can also be used when replacing other manufacturer's older generation units that contains a composite base without a metal base rail.					
CONCENTRIC ADAPTORS - (Use with curb only)					
NPCONADP001A00	For 18" round duct (use with curbs CPRFCURB010A00, CPRFCURB011A00)	Small Curb			
NPCONADP002A00	For 18" round duct (use with curbs CPRFCURB012A00, CPRFCURB013A00)	Large Curb			
ECONOMIZERS					
CPECOMZR007A00	Dedicated Vertical Economizer - Internal with solid state controller, gear driven, fully modulating damper, spring return actuator, up to 50% barometric relief, supply and outdoor air sensors. Includes filter rack with 1" filters*.	30	30 - 36	30	
CPECOMZR008A00		36 - 42	42 - 48	36 - 42	
CPECOMZR009A00		48 - 60	60	48 - 60	
CPECOMZR010A00	Dedicated Horizontal Economizer - Internal with solid state controller, fully modulating damper, spring return actuator, supply air sensor, outdoor air sensor, and low ambient compressor lockout switch included. Includes filter rack with 1-inch filters*.	30	30 - 36	30	
CPECOMZR011A00		36 - 42	42 - 48	36 - 42	
CPECOMZR012A00		48 - 60	60	48 - 60	
CPRLYKIT001A00	Economizer Relay for Heat Pumps	ALL			
AXB078ENT	Outdoor Enthalpy Control	ALL			
* Outdoor enthalpy available as field installed accessory; Filter rack and filter same as 'CPFILTRK' kit.					
DAMPERS					
CPMANDPR007A00	Manual Outside Air Damper - External w/filter rack and 1" filter	30	30 - 36	30	
CPMANDPR008A00		36 - 42	42 - 48	36 - 42	
CPMANDPR009A00		48 - 60	60	48 - 60	
INTERNAL FILTER RACKS					
CPFILTRK007A00	Internal Filter Rack (includes 1-inch filters)	30	30 - 36	30	
CPFILTRK008A00		36 - 42	42 - 48	36 - 42	
CPFILTRK009A00		48 - 60	60	48 - 60	
LOW AMBIENT, ANTI-CYCLE TIMER					
CPLOWAMB001A00*	Low Ambient Control - enables cooling system to operate down to 0 Deg. F by cycling condenser fan on and off.*	ALL			
NRTIMEGD001A00	Five Minute Compressor Delay	ALL			
*Relay 1184479 is required with this Low Ambient Control when used in heat pump application.					
GAS CONVERSION KITS					
NPLPCONV013B00	Natural to LP Conversion Kit (0 - 2000')	ALL			
NPLPCONV014B00	Natural to LP Conversion Kit (2001' - 6000')	ALL			
NPNGCONV004B00	LP to Natural Gas Conversion Kit (0 - 2000')	ALL			

continued on next page

PGD4, PGS4, PDS4, PDD4, PAD4, PHD4

Three Phase Model Accessories

Accessories (cont.)

Accessory Model Number	Description	Use With			Notes
		PDS4, PDD4	PGD4, PGS4, PAD4	PHD4	
FLUE DISCHARGE DEFLECTOR					
CRFLUEDS001A00	Directs flue gas exhaust 90 degrees upward from current discharge. Designed to allow tighter distances between unit and combustible surfaces. 24 inch Height. AGA certified.	ALL			
DUCT TRANSITIONS					
NPDUCFLG002A00	Square to 14" Round (1 set of 2, use with horizontal duct flanges only)	30 - 48			
ELECTRIC HEATERS FOR PAD4 208 / 240V (3-Phase)					
MODEL	Nominal Capacity (kW)				Notes
EHNA05H0N	3.8 / 5.0	-	ALL		
EHNA10H0N	7.5 / 10.0	-	ALL		
EHNA10H6F	7.5 / 10.0	-	ALL		
EHNA15H0N	11.3 / 15.0	-	ALL		
EHNA15H6F	11.3 / 15.0	-	ALL		
EHNA20H6F	15.0 / 20.0	-	42 - 60		
ELECTRIC HEATERS FOR PHD4 208 / 240V (3-Phase)					
EHNA05H0N	3.8 / 5.0	-	ALL		
EHNA10H0N	7.5 / 10.0	-	30 - 42		
EHNA10H6F	7.5 / 10.0	-	ALL		
EHNA15H0N	N/A	-	N/A		
EHNA15H6F	11.3 / 15.0	-	ALL		
EHNA20H6F	15.0 / 20.0	-	42 - 60		
ELECTRIC HEATERS FOR PAD4 AND PHD4 460V (3-Phase)					
EHNA05L0N	5.0	-	ALL		
EHNA10L0N	10.0	-	ALL		
EHNA15L0N	15.0	-	ALL		
EHNA20L0N	20.0	-	42 - 60		

REFER TO PRODUCT SPECIFICATIONS FOR EXACT ACCESSORY MATCH.

PAR5, PGR5, PHR5

Three Phase Model Accessories

Accessories

Accessory Model Number	Description	PGR5	PAR5	PHR5	Notes
CURBS					
CPRFCURB010A00	Roof Curb, 11" High		36 - 60		
CPRFCURB011A00	Roof Curb, 14" High		36 - 60		
CPRFCURB012A00	Roof Curb, 11" High		36 - 60		
CPRFCURB013A00	Roof Curb, 14" High		36 - 60		
Note: CPRFCURB010A00 & CPRFCURB011A00 can be used with 36-60 units with some overhang.					
ADAPTER CURBS*					
CPADCURB001A00	Adapter Curb for use with NPRFCURB006A00 & NPRFCURB007A00		30		
CPADCURB002A00	Adapter Curb for use with NPRFCURB008A00 & NPRFCURB009A00		36 - 60		
* Can also be used when replacing other manufacturer's older generation units that contains a composite base without a metal base rail.					
CONCENTRIC ADAPTERS - (Use with curb only)					
NPCONADP001A00	For 18" round duct (use with curbs CPRFCURB010A00, CPRFCURB011A00)		24 - 30		
NPCONADP002A00	For 18" round duct (use with curbs CPRFCURB012A00, CPRFCURB013A00)		36 - 60		
DAMPERS					
CPMANDPR007A00	Manual Outside Air Damper - includes filter rack and 1" filter - same as CPFILTRK kit)		30		
CPMANDPR008A00			36 - 42		
CPMANDPR009A00			48 - 60		
INTERNAL FILTER RACKS					
CPFILTRK007A00	Internal Filter Rack (includes 1-inch filters)		30		
CPFILTRK008A00			36 - 42		
CPFILTRK009A00			48 - 60		
LOW AMBIENT, ANTI-CYCLE TIMER, COMPRESSOR START ASSIST					
CPLOWAMB001A00	Low Ambient Control - enables cooling system to operate down to 0 Deg. F by cycling condenser fan on and off.		ALL		
NRTIMEGD001A00	Five Minute Compressor Delay		ALL		
NPHSTART001A00	PTC Compressor Start Assist Kit		ALL		
GAS CONVERSION KITS					
NPLPCONV013B00	Natural to LP Conversion Kit (0 - 2000')	ALL	N/A	N/A	
NPLPCONV014B00	Natural to LP Conversion Kit (2001' - 6000')	ALL	N/A	N/A	
NPNGCONV004B00	LP to Natural Gas Conversion Kit (0 - 2000')	ALL	N/A	N/A	
FLUE DISCHARGE DEFLECTOR					
CRFLUEDS001A00	Directs flue gas exhaust 90 degrees upward from current discharge. Designed to allow tighter distances between unit and combustible surfaces. 24 inch Height. AGA certified.		ALL		
DUCT TRANSITIONS					
NPDUCFLG002A00	Square to 14" Round (1 set of 2, use with horizontal duct flanges only)		30 - 48		
ECONOMIZER					
ECD-EDSML-JC2-ADB*	Two-stage compatible vertical economizer with Jade Honeywell W7220 controller, Honeywell actuator, and dry bulb sensor. (Contact MicroMetl Customer Service at 1-800-662-4822 to order)		30		
ECD-EDLGS-JC2-ADB*			36 - 42		
ECD-EDLGB-JC2-ADB*			48 - 60		
ECH-EDSML-JC2-ADB*	Two-stage compatible horizontal economizer with Jade Honeywell W7220 controller, Honeywell actuator, and dry bulb sensor. (Contact MicroMetl Customer Service at 1-800-662-4822 to order)		30		
ECH-EDLGS-JC2-ADB*			36 - 42		
ECH-EDLGB-JC2-ADB*			48 - 60		

* Contact MircoMetl Customer Service at 1-800-662-4822 to order

continued on next page

Accessory Model Number	Description	PGR5	PAR5	PHR5	Notes
THERMOSTATS					
TSTAT0406	Universal Programmable Thermostat, Dual Fuel compatible, 2-stage cool, 2-stage gas heat, 2-stage HP heat, 2-stage electric heat		ALL		
TSTAT0408	Universal Programmable Thermostat with Humidity Sensing and Control, Dual Fuel compatible, 2-stage cool, 2-stage gas heat, 2-stage HP heat, 2-stage electric heat		ALL		
TSTAT0101SC	Observer Communicating Touchscreen Thermostat with Humidity Sensing and Control, Dual Fuel compatible, 2-stage cool, 2-stage gas heat, 2-stage HP heat, 2-stage electric heat		ALL		
NAXA00101DB	Daughter Board, use with communicating thermostat TSTAT0101SC and non-communicating equipment		ALL		

‡ Daughter Board required for use with TSTAT0101SC and non-communicating unit.

ELECTRIC HEATERS					
MODEL	Nominal Capacity (kW) - Fused/Stages	PGR5	PAR5	PHR5	Notes
EHNA05H0N	3.8/5.0 - No/2	N/A	30 - 60	30 - 60	
EHNA10H0N	7.5/10.0 - No/2	N/A	30 - 60	30 - 48	
EHNA10H6F	7.5/10.0 - Yes/2	N/A	30 - 60	30 - 60	
EHNA15H0N	11.3/15.0 - No/2	N/A	30 - 60	N/A	
EHNA15H6F	11.3/15.0 - Yes/2	N/A	30 - 60	30 - 60	
EHNA20H6F	15.0/20.0 - Yes/2	N/A	42 - 60	42 - 60	
DUAL POINT WIRING KIT					
DPDUALPT001A00	Dual Point Wiring Kit for 5 - 20 kW Heaters	N/A	ALL	ALL	
CRANKCASE HEATER (Factory installed on some models)					
CPCRKHTR008A00	Crankcase Heater	30 - 36	30 - 36	N/A	
CPCRKHTR004A00	Crankcase Heater	42 - 48	42 - 48	48	

REFER TO PRODUCT SPECIFICATIONS FOR EXACT ACCESSORY MATCH.

EFFICIENT 13 SEER 3-PHASE AIR CONDITIONER ENVIRONMENTALLY SOUND R-410A REFRIGERANT

3 THRU 5 TONS SPLIT SYSTEM

208 / 230 Volt, 3-phase, 60 Hz

460 Volt, 3-phase, 60 Hz

REFRIGERATION CIRCUIT

- Copeland Scroll™ compressors on all models
- Filter-Drier supplied with every unit for field installation
- External high and low refrigerant service ports
- Low ambient feature allows safe operation down to 20°F(-7°C) outdoor temperature
- Copper tube/aluminum fin coil

PERFORMANCE

- Compressor sound jacket standard

EASY TO INSTALL AND SERVICE

- Comfort Alert™ Diagnostics device on all models
- Easy access service valves on all models
- Innovative control box design
- High and low pressure switches
- Fan motor in-line disconnect plug
- Only two screws to access control panel
- Factory charged with R-410A refrigerant

BUILT TO LAST

- High gloss, baked-on powder coat finish over galvanized steel
- Post-painted (black) coil fins
- Coated, weather-resistant cabinet screws
- Coated inlet grille with 3/8" (10mm) spacing for extra protection (hail guard)
- Corner posts for extra strength and style

WARRANTY*

- 5 year compressor limited warranty
- 1 year parts limited warranty

* Applies to original purchaser/homeowner, some limitations may apply. See warranty certificate for complete details.



Use of the AHRI Certified™ Mark indicates a manufacturer's participation in the program. For verification of certification for individual products, go to www.ahridirectory.org.

UNIT PERFORMANCE DATA								
Model Number	Voltage	Size (tons)	Nominal Btu/hr	Min. Circuit Ampacity	Max. Fuse or Breaker	Operating Dimensions h x w x d in. (mm)	Ship / Operating Weight lbs. (kg)	Notes
H4A336GHD	208/230	3	36,000	14.2	20	25-3/16 x 31-3/16 x 31-3/16 (640 x 793 x 793)	196/160 (89 / 73)	
H4A336GLD	460			7.7	15			
H4A342GHD	208/230	3½	42,000	18.0	30	32 x 31-3/16 x 31-3/16 (813 x 793 x 793)	230/195 (104/89)	
H4A342GLD	460			8.0	15			
H4A348GHD	208/230	4	48,000	17.6	30	35-3/8 x 31-3/16 x 31-3/16 (899 x 793 x 793)	243/203 (110/92)	
H4A348GLD	460			8.2	15			
H4A360GHD	208/230	5	60,000	21.2	30	28-9/16 x 31-3/16 x 31-3/16 (726 x 793 x 793)	250/215 (113/98)	
H4A360GLD	460			10.3	20			

EFFICIENT 13 SEER 3-PHASE AIR CONDITIONER ENVIRONMENTALLY SOUND R-410A REFRIGERANT

2½ THRU 5 TONS SPLIT SYSTEM

208 / 230 Volt, 3-phase, 60 Hz

460 Volt, 3-phase, 60 Hz

575 Volt, 3-phase, 60 Hz

REFRIGERATION CIRCUIT

- Scroll compressors on all models
- Filter-Drier supplied with every unit for field installation
- Copper tube/aluminum fin coil

EASY TO INSTALL AND SERVICE

- Easy access service valves on all models
- External high and low refrigerant service ports
- Only two screws to access control panel
- Factory charged with R-410A refrigerant

BUILT TO LAST

- Baked-on powder coat finish over galvanized steel
- Post-painted (black) coil fins
- Coated, weather-resistant cabinet screws
- Coated inlet grille with 3/8" (10mm) spacing for extra protection (hail guard)



WARRANTY*

- 5 year compressor limited warranty
- 1 year parts limited warranty

* Applies to original purchaser/homeowner, some limitations may apply. See warranty certificate for complete details.



Use of the AHRI Certified TM Mark indicates a manufacturer's participation in the program. For verification of certification for individual products, go to www.ahridirectory.org.

UNIT PERFORMANCE DATA								
Model Number	Voltage	Size (tons)	Nominal Btu/hr	Min. Circuit Ampacity	Max. Fuse or Breaker	Operating Dimensions h x w x d in. (mm)	Ship / Operating Weight lbs. (kg)	Notes
N4A330GHC	208/230	2½	30,000	11.2	20	28-11/16 x 23-1/2 x 23-1/2 (729 x 597 x 597)	136 / 111 (62 / 50)	
N4A336GHB	208/230	3	36,000	14.5	20	31-13/16 x 25-3/4 x 25-3/4 (808 x 654 x 654)	170 / 141 (77 / 64)	
N4A336GLB	460			7.7	15			
N4A336GSB	575			5.3	15			
N4A342GHA	208/230	3½	42,000	18	30	32-5/16 x 31-3/16 x 31-3/16 (821 x 792 x 792)	208 / 180 (94 / 82)	
N4A342GLA	460			8.1	15			
N4A348GHB	208/230	4	48,000	17.8	30	35-3/4 x 31-3/16 x 31-3/16 (908 x 792 x 792)	216 / 179 (98 / 81)	
N4A348GLB	460			8.3	15			
N4A348GSB	575			6	15			
N4A360GHC	208/230	5	60,000	21.4	30	28-15/16 x 31-3/16 x 31-3/16 (735 x 792 x 792)	224 / 192 (102 / 87)	
N4A360GLC	460			10.5	15			
N4A360GSC	575			7.6	15			

R2A3**GHR

3-PHASE AIR CONDITIONER COMPONENT

2-1/2 THRU 5 TONS

208 / 230 Volt, 3-phase, 60 Hz

REFRIGERATION CIRCUIT

- Scroll compressors on all models
- Compressors contain proper charge of mineral oil
- Copper tube/aluminum fin coil

EASY TO INSTALL AND SERVICE

- Easy Access service valves on all models
- External high and low refrigerant service ports
- Only two screws to access control panel
- Factory charged with dry nitrogen holding charge
- For use with R-22 refrigerant

BUILT TO LAST

- Pre-painted cabinet finish over galvanized steel
- Post-painted (black) coil fins
- Coated inlet grille with with 3/8" (10mm) spacing for extra protection (hail guard)

WARRANTY*

- 1 year parts limited warranty (including compressor and coil)

* Applies to original purchaser/homeowner, some limitations may apply. See Warranty certificate for complete details.



UNIT PERFORMANCE DATA							
Model Number	Size (tons)	Nominal Btu/hr	Min. Circuit Ampacity	Max. Fuse or Breaker	Operating Dimensions height x width x depth in. (mm)	Ship / Operating Weight lbs. (kg)	Notes
R2A330GHR	2½	30,000	10.70	15	28-7/16 x 23-1/8 x 23-1/8 (722 x 587 x 587)	131 / 117 (59 / 53)	
R2A336GHR	3	36,000	14.60	20	24-13/16 x 31-3/16 x 31-3/16 (630 x 792 x 792)	163 / 141 (74 / 64)	
R2A342GHR	3½	42,000	16.70	25	31-13/16 x 31-3/16 x 31-3/16 (808 x 792 x 792)	195 / 172 (88 / 78)	
R2A348GHR	4	48,000	17.40	25	42 x 31-3/16 x 31-3/16 (1067 x 792 x 792)	219 / 184 (99 / 84)	
R2A360GHR	5	60,000	20.70	30	35-3/16 x 31-3/16 x 31-3/16 (894 x 792 x 792)	240 / 217 (108 / 98)	

R-410A Ducted Horizontal Air Conditioner ENVIRONMENTALLY SOUND R-410A REFRIGERANT

3 THRU 5 TONS

208 / 230 Volt, 3-phase

460 Volt, 3-phase

ENERGY EFFICIENCY

- 13 - 14.5 SEER/11 - 12 EER

SOUND

- Levels as low as 70 dBA

DESIGN FEATURES

- Matched with ducted indoor units
- Ideal for multi-family use
- Small footprint “stackable”
- Weather-resistant cabinet
 - All steel cabinet construction
 - Baked on powder paint
 - Mesh coil guard

RELIABILITY, QUALITY, AND TOUGHNESS

- Scroll compressor
- Factory-supplied filter drier
- Factory installed Crankcase Heater on 3 through 5 ton models
- High pressure switch
- Line lengths up to 200 feet (61m) (see Long Line Application Guideline)
- 65 foot (20m) lift (see Long Line Application Guideline)
- Low ambient operation (down to -20°F/-28.9°C) with low ambient accessories
- Installation as close as 6 inches (25mm) from wall

WARRANTY*

- 5 year compressor limited warranty
- 1 year parts limited warranty

* Applies to original purchaser/homeowner, some limitations may apply. See warranty certificate for complete details.



Use of the AHR Certified TM Mark indicates a manufacturer's participation in the program. For verification of certification for individual products, go to www.ahrdirectory.org.



This product has been designed and manufactured to meet ENERGY STAR criteria for energy efficiency when matched with appropriate coil components. However, proper refrigerant charge and proper air flow are critical to achieve rated capacity and efficiency. Installation of this product should follow the manufacturer's refrigerant charging and air flow instructions. Failure to confirm proper charge and airflow may reduce energy efficiency and shorten equipment life.

UNIT PERFORMANCE DATA					
Model Number	Voltage	Size (tons)	Nominal Btu/hr	Operating Weight lbs. (kg)	Notes
HC4A336AHA	208/230	3	36,000	218 (99)	
HC4A336ALA	460				
HC4A348AHA	208/230	4	48,000	284 (129)	
HC4A348ALA	460				
HC4A360AHA	208/230	5	60,000	294 (134)	
HC4A360ALA	460				

COMMERCIAL SPLIT SYSTEM CONDENSING UNITS

R-410A 6 - 20 TONS

BUILT TO LAST, EASY TO INSTALL AND SERVICE

- Single stage cooling capacity control on all 072-241 models
- Two stage cooling capacity control on all 120-240 models
- Round copper tube aluminum plate fin (RTPF) condenser coils on all models
- Brass suction and liquid line service valves
- Full perimeter base rail with built-in rigging adapters and fork truck slots
- Galvanized steel cabinet with pre-painted exterior panels and primer-coated interior panels tested to 500 hours salt spray protection
- Fully hermetic scroll compressor with crankcase heater
- Compressor mounted on independent vibration isolators
- Comfort Alert™ Diagnostic Board
 - LED Go-No-Go and fault code
 - Built in time guard anti-short cycle
 - Phase protection
 - Fault code retention logic
 - Low volt compressor contactor protector
- All units have high and low pressure switches
- Direct drive permanently lubricated condenser fan motors
- Newly designed terminal board facilitates simple safety circuit troubleshooting and simplified control box arrangement
- Outdoor temperature cooling operation range up to 125°F (52°C) and down to 40°F (4°C) using winter start kit
- Models with optional low ambient control provide cooling operation down to -20°F (-29°C)
- All units factory run tested



CAS072-151

WARRANTY

- 5 year compressor limited warranty
 - 1 year parts limited warranty
- See warranty certificate for complete details.



Use of the AHRI Certified TM Mark indicates a manufacturer's participation in the program. For verification of certification for individual products, go to www.ahridirectory.org.



UNIT PERFORMANCE DATA - Single Circuit								
Model Number	Cooling Circuits	Cooling			Total Power (kW)	Height x Width x Depth in (mm)	Operating Weight lbs (kg)	Notes
		Nom. Capacity Ton	Net Capacity BTU/h	EER				
CAS072HAA0A00A	1	6.0	71,000	11.5	6.2	42-3/8 x 59-3/8 x 45-7/8 (1076 x 1509 x 1165)	389 / 176	
CAS072HBA0A00A*	1	6.0	71,000	11.5	6.2		389 / 176	
CAS072LAA0A00A	1	6.0	71,000	11.5	6.2	42-3/8 x 59-3/8 x 45-7/8 (1076 x 1509 x 1165)	389 / 176	
CAS072LBA0A00A*	1	6.0	71,000	11.5	6.2		389 / 176	
CAS072SAA0A00A	1	6.0	71,000	11.5	6.2	42-3/8 x 59-3/8 x 45-7/8 (1076 x 1509 x 1165)	389 / 176	
CAS072SBA0A00A*	1	6.0	71,000	11.5	6.2		389 / 176	
CAS091HAA0A00A	1	7.5	92,000	11.2	8.2	42-3/8 x 59-3/8 x 45-7/8 (1076 x 1509 x 1165)	391 / 177	
CAS091HBA0A00A*	1	7.5	92,000	11.2	8.2		391 / 177	
CAS091LAA0A00A	1	7.5	92,000	11.2	8.2	42-3/8 x 59-3/8 x 45-7/8 (1076 x 1509 x 1165)	391 / 177	
CAS091LBA0A00A*	1	7.5	92,000	11.2	8.2		391 / 177	
CAS091SAA0A00A	1	7.5	92,000	11.2	8.2	42-3/8 x 59-3/8 x 45-7/8 (1076 x 1509 x 1165)	391 / 177	
CAS091SBA0A00A*	1	7.5	92,000	11.2	8.2		391 / 177	
CAS121HAA0A00A	1	10.0	117,000	11.2	10.4	50-3/8 x 59-3/8 x 45-7/8 (1279 x 1509 x 1165)	490 / 222	
CAS121HBA0A00A*	1	10.0	117,000	11.2	10.4		490 / 222	
CAS121LAA0A00A	1	10.0	117,000	11.2	10.4	50-3/8 x 59-3/8 x 45-7/8 (1279 x 1509 x 1165)	490 / 222	
CAS121LBA0A00A*	1	10.0	117,000	11.2	10.4		490 / 222	

* Models with optional low ambient control

Continued on Next Page

CAS (continued)

UNIT PERFORMANCE DATA - Single Circuit (Cont.)

Model Number	Cooling Circuits	Cooling			Total Power (kW)	Height x Width x Depth in (mm)	Operating Weight lbs (kg)	Notes
		Nom. Capacity Ton	Net Capacity BTU/h	EER				
CAS121SAA0A00A	1	10.0	117,000	11.2	10.4	50-3/8 x 59-3/8 x 45-7/8	490 / 222	
CAS121SBA0A00A*	1	10.0	117,000	11.2	10.4	(1279 x 1509 x 1165)	490 / 222	
CAS151HAA0A00A	1	12.5	148,000	11.0	13.5	50-3/8 x 59-3/8 x 45-7/8	598 / 271	
CAS151HBA0A00A*	1	12.5	148,000	11.0	13.5	(1279 x 1509 x 1165)	598 / 271	
CAS151LAA0A00A	1	12.5	148,000	11.0	13.5	50-3/8 x 59-3/8 x 45-7/8	598 / 271	
CAS151LBA0A00A*	1	12.5	148,000	11.0	13.5	(1279 x 1509 x 1165)	598 / 271	
CAS151SAA0A00A	1	12.5	148,000	11.0	13.5	50-3/8 x 59-3/8 x 45-7/8	598 / 271	
CAS151SBA0A00A*	1	12.5	148,000	11.0	13.5	(1279 x 1509 x 1165)	598 / 271	
CAS181HAA0A00A	1	15.0	184,000	11.2	16.4	50-3/8 x 86-3/8 x 45-7/8	731 / 322	
CAS181HBA0A00A*	1	15.0	184,000	11.2	16.4	(1279 x 2193 x 1165)	731 / 322	
CAS181LAA0A00A	1	15.0	184,000	11.2	16.4	50-3/8 x 86-3/8 x 45-7/8	731 / 322	
CAS181LBA0A00A*	1	15.0	184,000	11.2	16.4	(1279 x 2193 x 1165)	731 / 322	
CAS181SAA0A00A	1	15.0	184,000	11.2	16.4	50-3/8 x 86-3/8 x 45-7/8	731 / 322	
CAS181SBA0A00A*	1	15.0	184,000	11.2	16.4	(1279 x 2193 x 1165)	731 / 322	
CAS241HAA0A00A	1	20.0	240,000	11.0	21.8	50-3/8 x 86-3/8 x 67-1/8	978 / 444	
CAS241HBA0A00A*	1	20.0	240,000	11.0	21.8	(1279 x 2193 x 1704)	978 / 444	
CAS241LAA0A00A	1	20.0	240,000	11.0	21.8	50-3/8 x 86-3/8 x 67-1/8	978 / 444	
CAS241LBA0A00A*	1	20.0	240,000	11.0	21.8	(1279 x 2193 x 1704)	978 / 444	
CAS241SAA0A00A	1	20.0	240,000	11.0	21.8	50-3/8 x 86-3/8 x 67-1/8	978 / 444	
CAS241SBA0A00A*	1	20.0	240,000	11.0	21.8	(1279 x 2193 x 1704)	978 / 444	

UNIT PERFORMANCE DATA - Dual Circuit

CAS120HDA0A00A	2	10.0	117,000	11.2	10.4	50-3/8 x 59-3/8 x 45-7/8	516 / 234	
CAS120HEA0A00A*	2	10.0	117,000	11.2	10.4	(1279 x 1509 x 1165)	516 / 234	
CAS120LDA0A00A	2	10.0	117,000	11.2	10.4	50-3/8 x 59-3/8 x 45-7/8	516 / 234	
CAS120LEA0A00A*	2	10.0	117,000	11.2	10.4	(1279 x 1509 x 1165)	516 / 234	
CAS120SDA0A00A	2	10.0	117,000	11.2	10.4	50-3/8 x 59-3/8 x 45-7/8	516 / 234	
CAS120SEA0A00A*	2	10.0	117,000	11.2	10.4	(1279 x 1509 x 1165)	516 / 234	
CAS150HDA0A00A	2	12.5	148,000	11.0	13.5	50-3/8 x 59-3/8 x 45-7/8	654 / 297	
CAS150HEA0A00A*	2	12.5	148,000	11.0	13.5	(1279 x 1509 x 1165)	654 / 297	
CAS150LDA0A00A	2	12.5	148,000	11.0	13.5	50-3/8 x 59-3/8 x 45-7/8	654 / 297	
CAS150LEA0A00A*	2	12.5	148,000	11.0	13.5	(1279 x 1509 x 1165)	654 / 297	
CAS150SDA0A00A	2	12.5	148,000	11.0	13.5	50-3/8 x 59-3/8 x 45-7/8	654 / 297	
CAS150SEA0A00A*	2	12.5	148,000	11.0	13.5	(1279 x 1509 x 1165)	654 / 297	
CAS180HDA0A00A	2	15.0	184,000	11.2	16.4	50-3/8 x 86-3/8 x 45-7/8	731 / 322	
CAS180HEA0A00A*	2	15.0	184,000	11.2	16.4	(1279 x 2193 x 1165)	731 / 322	
CAS180LDA0A00A	2	15.0	184,000	11.2	16.4	50-3/8 x 86-3/8 x 45-7/8	731 / 322	
CAS180LEA0A00A*	2	15.0	184,000	11.2	16.4	(1279 x 2193 x 1165)	731 / 322	
CAS180SDA0A00A	2	15.0	184,000	11.2	16.4	50-3/8 x 86-3/8 x 45-7/8	731 / 322	
CAS180SEA0A00A*	2	15.0	184,000	11.2	16.4	(1279 x 2193 x 1165)	731 / 322	
CAS240HDA0A00A	2	20.0	240,000	11.0	21.8	50-3/8 x 86-3/8 x 67-1/8	978 / 444	
CAS240HEA0A00A*	2	20.0	240,000	11.0	21.8	(1279 x 2193 x 1704)	978 / 444	
CAS240LDA0A00A	2	20.0	240,000	11.0	21.8	50-3/8 x 86-3/8 x 67-1/8	978 / 444	
CAS240LEA0A00A*	2	20.0	240,000	11.0	21.8	(1279 x 2193 x 1704)	978 / 444	
CAS240SDA0A00A	2	20.0	240,000	11.0	21.8	50-3/8 x 86-3/8 x 67-1/8	978 / 444	
CAS240SEA0A00A*	2	20.0	240,000	11.0	21.8	(1279 x 2193 x 1704)	978 / 444	

* Models with optional low ambient control

Accessories

Air Conditioners

N4A3, H4A3 (3-Phase R-410A Air Conditioner)			
Part Number	Description	Used On Model Size	Notes
NASA003CH	Crankcase Heater for Scroll Compressor (208/230 V)	30, 36	
NASA00301CH	Crankcase Heater for Scroll Compressor (460 V)	42, 48, 60	
NASA004CH	Crankcase Heater for Scroll Compressor (460 V)	36	
NASA001CH	Crankcase Heater for Scroll Compressor (208/230 V)	42, 48, 60	
NASA00701CH	Crankcase Heater for Scroll Compressor (575 V)	N4A3-36	
NASA00801CH	Crankcase Heater for Scroll Compressor (575 V)	N4A3-48, 60	
NASA001FS	Evaporator Freeze Thermostat	ALL	
NASA403PS	Low Pressure Switch, AC, R-410A	N4A3-ALL	
NASA404PS	High Pressure Switch, AC or HP, R-410A	N4A3-ALL	
NASA401LS	Liquid Line Solenoid Valve, R-410A	ALL	
NASA001TD	Time Delay Relay, Indoor Blower	ALL	
NASA00201WS	Winter Start Control	ALL	
NASA001AC	Anti-Cycle Timer (5 minute delay)	ALL	
NASA401LA	Low Ambient Pressure Switch	N4A3-ALL	
NASA001SF	Support Feet, 4" tall	ALL	
NASA001SJ	Sound Jacket, Compressor	N4A3-30, 36, 42, 48	
NASA003SJ	Sound Jacket, Compressor	N4A3-60	
NAEA40501TX	TXV Kit, R-410A - 2010 and later Piston Coils	N4A3-30	
NAEA40601TX	TXV Kit, R-410A - 2010 and later Piston Coils	36, 42	
NAEA40701TX	TXV Kit, R-410A - 2010 and later Piston Coils	48, 60	
EBAC05TXVX	TXV Kit, R-410A -- 2005--2009 R--22 TXV Fancoils (air handlers)	N4A3-30	
EBAC06TXVX	TXV Kit, R-410A -- 2005--2009 R--22 TXV Fancoils (air handlers)	36, 42	
EBAC07TXVX	TXV Kit, R-410A -- 2005--2009 R--22 TXV Fancoils (air handlers)	48, 60	

R2A3**GHR (3-Phase Air Conditioner Component)			
Part Number	Description	Used On Model Size	Notes
NASA001FS	Evaporator Freeze Thermostat	ALL	
NASA203PS	Low Pressure Switch	ALL	
NASA204PS	High Pressure Switch	ALL	
NASA201LS	Liquid Line Solenoid Valve	ALL	
NASA001TD	Time Delay Relay, Indoor Blower	ALL	
NASA00201WS	Winter Start Control	ALL	
NASA001AC	Anti-Cycle Timer (5 minute delay)	ALL	
NASA201LA	Low Ambient Kit (Pressure Switch)	ALL	
NASA001SF	Support Feet, 4" (102mm) tall	ALL	
NASA003CH	Crankcase Heater for Compressor	30, 36	
NASA001CH	Crankcase Heater for Compressor	42, 48, 60	
NASA001SJ	Sound Jacket, Compressor	30, 36, 42, 48	
NASA003SJ	Sound Jacket, Compressor	60	
AMF153TKB	TXV Kit, R-22 (converts R-22 piston coils to R-22 TXV)	30, 36	
AMF355TKB	TXV Kit, R-22 (converts R-22 piston coils to R-22 TXV)	42, 48, 60	

**SOME MODELS MAY BE FACTORY INSTALLED.
REFER TO PRODUCT SPECIFICATIONS FOR EXACT ACCESSORY MATCH.**

Accessories

Ducted Horizontal Air Conditioners

HC4A3 (R-410A Air Conditioner)			
Part Number	Description	Used On Model Size	Notes
NASA001TD	TIME DELAY KIT	All	
EBAC06TXVX	TXV KIT, R-410A	36	
EBAC07TXVX	2005-2009 R-22 TXV	48	
EBAC08TXVX	Fan coils (air handlers)	60	
NAEA40601TX	TXV KIT, R-410A	36	
NAEA40701TX	2010 and later Piston coils	48	
NASA402LA	LOW AMBIENT KIT	All	
NASA001FS	FRZ THERM KIT	All	
NASA00201WS	WINTER ST KIT	All	
NASA001CH	CRANKCASE HEATER KIT	48AH*, 60AH*	
NASA002CH	CRANKCASE HEATER KIT	48AL*, 60AL*	
NASA003CH	CRANKCASE HEATER KIT	36AH*	
NASA004CH	CRANKCASE HEATER KIT	36AL*	
NASA001SJ	SOUND JACKET KIT	48, 60	
NASA002SJ	SOUND JACKET KIT	36	
NASA001LS	SOL VALVE KIT	All	
NASA001SC	PTC KIT	All	
NASA003SC	HARD START KIT	All	
NASA001AC	CYCLE PROTECTOR KIT	All	
NASA00301WB	WIND BAFFLE KIT	36	
NASA00401WB	WIND BAFFLE KIT	48, 60	
NASA00201SG	STACKING KIT	36, 48, 60	
NASA00201WM	WALL MOUNT KIT	36, 48, 60	

*Factory Installed

REFER TO PRODUCT SPECIFICATIONS FOR EXACT ACCESSORY MATCH.

Accessory Model Number	Description	Accessories	Notes
LOW AMBIENT CONTROLS			
CALOWAMB030A00	Low Ambient Temperature Head Pressure Controller, allows cooling operation down to -20°F by varying the speed on the condenser fan.	072, 091, 121, 151, 120, 150 (208/230-3-60v only)	
CALOWAMB031A00		072, 091 (460-3-60v only)	
CALOWAMB032A00		121, 151, 120, 150 (460-3-60v only)	
CALOWAMB033A00		072, 091, 121, 151 (575-3-60v only)	
CALOWAMB037A00		181 (208/230-3-60v only)	
CALOWAMB038A00		181 (460-3-60v only)	
CALOWAMB039A00		181 (575-3-60v only)	
CALOWAMB018A00		241 (208/230-3-60v only)	
CALOWAMB019A00		241 (460-3-60v only)	
CALOWAMB020A00		241 (575-3-60v only)	
CALOWAMB036A00		120, 150 (208/230-3-60v only)	
CALOWAMB040A00		180 (208/230-3-60v only)	
CALOWAMB041A00		180 (460-3-60v only)	
CALOWAMB042A00		180 (575-3-60v only)	
CALOWAMB021A00		240 (208/230-3-60v only)	
CALOWAMB022A00	240 (460-3-60v only)		
CALOWAMB023A00	240 (575-3-60v only)		
LOUVERED HAIL GUARDS - CONDENSER COIL			
CALVHLGD005A00	Louvered Condenser Coil Hail Guard - Includes louvered panel(s) to protect condenser coil from damage and vandalism	072	
CALVHLGD006A00		090, 091	
CALVHLGD011A00		120, 121	
CALVHLGD012A00		150, 151	
CALVHLGD008A00		180, 181	
CALVHLGD009A00		240, 241	
LIQUID LINE SOLENOID VALVES (LLSV)[†]**			
1179871	Liquid Line Solenoid Valve	3/8" L [‡]	
1179872	Liquid Line Solenoid Valve	1/2" L	
1179873	Liquid Line Solenoid Valve	5/8" L	
1178274	Solenoid Coil	ALL LLSVs listed	
SIGHT GLASSES ^{**}			
1179879	Sight Glass	3/8" L	
1179877	Sight Glass	1/2" L	
1179878	Sight Glass	5/8" L	

L - Liquid line

‡ Bushings required

L - Liquid line

† LLSV must be installed at the INDOOR unit

** Available from FAST Parts

REFER TO PRODUCT SPECIFICATIONS FOR EXACT ACCESSORY MATCH.

EFFICIENT 13 SEER 3-PHASE HEAT PUMP ENVIRONMENTALLY SOUND R-410A REFRIGERANT

2-1/2 THRU 5 TONS SPLIT SYSTEM

208 / 230 Volt, 3-phase, 60 Hz

460 Volt, 3-phase, 60 Hz

REFRIGERATION CIRCUIT

- Copeland Scroll™ compressors on all models
- Crankcase heaters factory installed on all models
- Suction line accumulator factory installed
- Bi-flow filter-drier included for field installation
- Integrated solid state control with Time-Temperature Defrost
- High and low pressure switches
- Copper tube / aluminum fin coil

PERFORMANCE

- Compressor sound jacket standard

EASY TO INSTALL AND SERVICE

- Comfort Alert™ Diagnostics device on all models
- Easy access service valves on all models
- Innovative control box design
- External high and low refrigerant service ports
- Fan motor in-line disconnect plug
- Only two screws to access control panel
- Factory charged with R-410A refrigerant

BUILT TO LAST

- High gloss, baked-on powder coat finish over galvanized steel
- Post-painted (black) coil fins
- Coated, weather-resistant cabinet screws
- Coated inlet grille with 3/8" (10mm) spacing for extra protection (hail guard)
- Corner posts for extra strength and style

WARRANTY*

- 5 year compressor limited warranty
- 1 year parts limited warranty

* Applies to original purchaser/homeowner, some limitations may apply. See warranty certificate for complete details.



Use of the AHRI Certified TM Mark indicates a manufacturer's participation in the program. For verification of certification for individual products, go to www.ahridirectory.org.

UNIT PERFORMANCE DATA								
Model Number	Voltage	Size (tons)	Nominal Btu/hr	Min. Circuit Ampacity	Max. Fuse or Breaker	Operating Dimensions h x w x d in. (mm)	Ship / Operating Weight lbs. (kg)	Notes
H4H330GHE	208/230	2-1/2	30,000	13.6	20	28-9/16 x 31-3/16 x 31-3/16 (726 x 793 x 793)	180 / 146 (82 / 66)	
H4H336GHE	208/230	3	36,000	14.1	20	32 x 31-3/16 x 31-3/16 (813 x 793 x 793)	178 / 152 (81 / 69)	
H4H336GLE	460			7.9	10			
H4H342GHE	208/230	3-1/2	42,000	17.8	30	28-9/16 x 31-3/16 x 31-3/16 (726 x 793 x 793)	229 / 193 (104 / 88)	
H4H348GHE	208/230	4	48,000	18.5	30	35-3/8 x 31-3/16 x 31-3/16 (899 x 793 x 793)	251 / 216 (113 / 98)	
H4H348GLE	460			9.0	10			
H4H360GHD	208/230	5	60,000	21.1	30	29-7/8 x 35 x 35 (760 x 889 x 889)	293 / 252 (133 / 114)	
H4H360GLD	460			10.3	15			

EFFICIENT 13 SEER 3-PHASE HEAT PUMP ENVIRONMENTALLY SOUND R-410A REFRIGERANT

2½ THRU 5 TONS SPLIT SYSTEM

208 / 230 Volt, 3-phase, 60 Hz

460 Volt, 3-phase, 60 Hz

REFRIGERATION CIRCUIT

- Scroll compressors on all models
- Suction line accumulator factory installed
- Bi-flow filter-drier included for field installation
- Integrated solid state control with Time-Temperature Defrost
- High and low pressure switches
- Copper tube / aluminum fin coil

EASY TO INSTALL AND SERVICE

- Easy access service valves on all models
- External high and low refrigerant service ports
- Only two screws to access control panel
- Factory charged with R-410A refrigerant

BUILT TO LAST

- Baked-on powder coat finish over galvanized steel
- Post-painted (black) coil fins
- Coated, weather-resistant cabinet screws
- Coated inlet grille with 3/8" (10mm) spacing for extra protection (hail guard)

WARRANTY*

- 5 year compressor limited warranty
- 1 year parts limited warranty

* Applies to original purchaser/homeowner, some limitations may apply. See warranty certificate for complete details.



Use of the AHRI Certified TM Mark indicates a manufacturer's participation in the program. For verification of certification for individual products, go to www.ahridirectory.org.

UNIT PERFORMANCE DATA								
Model Number	Voltage	Size (tons)	Nominal Btu/hr	Min. Circuit Ampacity	Max. Fuse or Breaker	Operating Dimensions L x W x H in. (mm)	Operating/ Ship Weight lbs. (kg)	Notes
N4H330GHF	208/230	2½	30,000	13.6	20	31-3/16 x 31-3/16 x 28-7/16 (792 x 792 x 722)	149/170 (68/77)	
N4H336GHF	208/230	3	36,000	14.1	20	31-3/16 x 31-3/16 x 31-13/16 (792 x 792 x 722)	169/189 (78/86)	
N4H336GLF	460			7.9	10			
N4H342GHF	208/230	3½	42,000	18.4	30	31-3/16 x 31-3/16 x 31-13/16 (792 x 792 x 722)	180/200 (82/91)	
N4H348GHF	208/230	4	48,000	18.7	30	31-3/16 x 31-3/16 x 28-7/16 (908 x 792 x 792)	208/228 (96/104)	
N4H348GLF	460			8.5	10			
N4H360GHF	208/230	5	60,000	21.1	30	35 x 35 x 28-15/16 (889 x 889 x 735)	250/282 (113/128)	
N4H360GLF	460			10.4	15			

R2H3**GHR

3-PHASE HEAT PUMP COMPONENT

2½ THRU 5 TONS

208 / 230 Volt, 3-phase, 60 Hz



REFRIGERATION CIRCUIT

- Scroll compressors on all models
- Compressors contain proper charge of mineral oil
- Suction line accumulator factory installed
- Integrated solid state control with Time-Temperature Defrost
- Low pressure switch
- Copper tube / aluminum fin coil

EASY TO INSTALL AND SERVICE

- Easy Access service valves on all models
- External high and low refrigerant service ports
- Only two screws to access control panel
- Factory charged with dry nitrogen holding charge
 - For use with R-22 refrigerant



BUILT TO LAST

- Pre-painted cabinet finish over galvanized steel
- Coated inlet grille with 3/8" (10mm) spacing for extra protection (hail guard)

WARRANTY*

- 1 year parts limited warranty (including compressor and coil)

* Applies to original purchaser/homeowner, some limitations may apply. See Warranty certificate for complete details.

UNIT PERFORMANCE DATA							
Model Number (Series 100/300)	Size (tons)	Nominal Btu/hr	Min. Circuit Ampacity	Max. Fuse or Breaker	Operating Dimensions height x width x depth in. (mm)	Ship / Operating Weight lbs. (kg)	Notes
R2H330GHR	2½	30,000	15.4	25	28-7/16 x 31-3/16 x 31-3/16 (722 x 792 x 792)	183 / 161 (83 / 73)	
R2H336GHR	3	36,000	14.0	25	31-13/16 x 31-3/16 x 31-3/16 (808 x 792 x 792)	198 / 177 (90 / 80)	
R2H342GHR	3½	42,000	19.0	30	38-5/8 x 31-3/16 x 31-3/16 (981 x 792 x 792)	223 / 198 (101 / 90)	
R2H348GHR	4	48,000	19.8	30	28-7/16 x 31-3/16 x 31-3/16 (722 x 792 x 792)	230 / 207 (104 / 94)	
R2H360GHR	5	60,000	23.3	40	42 x 31-3/16 x 31-3/16 (1067 x 792 x 792)	298 / 273 (135 / 124)	

R2H3**GHR

3-PHASE HEAT PUMP COMPONENT

2½ THRU 5 TONS

208 / 230 Volt, 3-phase, 60 Hz



REFRIGERATION CIRCUIT

- Scroll compressors on all models
- Compressors contain proper charge of mineral oil
- Suction line accumulator factory installed
- Integrated solid state control with Time-Temperature Defrost
- Low pressure switch
- Copper tube / aluminum fin coil

EASY TO INSTALL AND SERVICE

- Easy Access service valves on all models
- External high and low refrigerant service ports
- Only two screws to access control panel
- Factory charged with dry nitrogen holding charge
 - For use with R-22 refrigerant

BUILT TO LAST

- Pre-painted cabinet finish over galvanized steel
- Coated inlet grille with 3/8" (10mm) spacing for extra protection (hail guard)

WARRANTY*

- 1 year parts limited warranty (including compressor and coil)

* Applies to original purchaser/homeowner, some limitations may apply. See Warranty certificate for complete details.

UNIT PERFORMANCE DATA							
Model Number (Series 200/400)	Size (tons)	Nominal Btu/hr	Min. Circuit Ampacity	Max. Fuse or Breaker	Operating Dimensions height x width x depth in. (mm)	Ship / Operating Weight lbs. (kg)	Notes
R2H330GHR	2½	30,000	13.2	20	28-7/16 x 31-3/16 x 31-3/16 (722 x 792 x 792)	183 / 161 (83 / 73)	
R2H336GHR	3	36,000	14.6	25	31-13/16 x 31-3/16 x 31-3/16 (808 x 792 x 792)	198 / 177 (90 / 80)	
R2H342GHR	3½	42,000	16.7	25	38-5/8 x 31-3/16 x 31-3/16 (981 x 792 x 792)	223 / 198 (101 / 90)	
R2H348GHR	4	48,000	20.7	30	28-7/16 x 31-3/16 x 31-3/16 (722 x 792 x 792)	230 / 207 (104 / 94)	
R2H360GHR	5	60,000	21.2	30	42 x 31-3/16 x 31-3/16 (1067 x 792 x 792)	298 / 273 (135 / 124)	

R-410A Ducted Horizontal Heat Pump ENVIRONMENTALLY SOUND R-410A REFRIGERANT

3 THRU 5 TONS

208 / 230 Volt, 3-phase

460 Volt, 3-phase

ENERGY EFFICIENCY

- 13 - 14.5 SEER / 10.5 - 12 EER / 7.7 - 8.5 HSPF

SOUND

- Levels as low as 71 dBA

DESIGN FEATURES

- Matched with ducted indoor units
- Ideal for multi-family use
- Small footprint "stackable"
- Weather-resistant cabinet
 - All steel cabinet construction
 - Baked on powder paint
 - Mesh coil guard

RELIABILITY, QUALITY, AND TOUGHNESS

- Scroll compressor
- Factory-supplied filter drier
- Factory installed Crankcase Heater on 2½ through 5 ton models
- High pressure switch
- Low pressure switch
- Accumulator
- Line lengths up to 200 feet (61m) (see Long Line Application Guideline)
- 65 foot (20m) lift (see Long Line Application Guideline)
- Low ambient operation (down to -20°F/-28.9°C) with low ambient accessories
- Installation as close as 6 inches (25mm) from wall

WARRANTY*

- 5 year compressor limited warranty
- 1 year parts limited warranty

* Applies to original purchaser/homeowner, some limitations may apply. See warranty certificate for complete details.



This product has been designed and manufactured to meet ENERGY STAR criteria for energy efficiency when matched with appropriate coil components. However, proper refrigerant charge and proper air flow are critical to achieve rated capacity and efficiency. Installation of this product should follow the manufacturer's refrigerant charging and air flow instructions. Failure to confirm proper charge and airflow may reduce energy efficiency and shorten equipment life.



Use of the AHRI Certified TM Mark indicates a manufacturer's participation in the program. For verification of certification for individual products, go to www.ahridirectory.org.

UNIT PERFORMANCE DATA					
Model Number	Voltage	Size (tons)	Nominal Btu/hr	Operating Weight lbs. (kg)	Notes
HC4H336AHA	208/230	3	36,000	232 (105)	
HC4H336ALA	460				
HC4H348AHA	208/230	4	48,000	278 (126)	
HC4H348ALA	460				
HC4H360AHA	208/230	5	60,000	306 (139)	
HC4H360ALA	460				

COMMERCIAL SPLIT SYSTEMS HEAT PUMP UNITS

R-410A 6 - 20 TONS

BUILT TO LAST, EASY TO INSTALL AND SERVICE

- Single stage cooling capacity control on 072-121 models
- Two stage cooling capacity control on 180-240 models
- All models utilize round copper tube, aluminum plate fin condenser coils (RTPF)
- Brass suction and liquid line service valves
- Fully hermetic scroll compressor with crankcase heater and suction line accumulators
- Compressor include overload protection and vibration isolation for further enhancement of quiet operation
- Comfort Alert™ Diagnostic Board
LED Go-No-Go and fault code
Built in time guard anti-short cycle
Phase protection
Fault code retention logic
- Full perimeter base rail with built-in rigging adapters and fork truck slots
- Filter drier standard with each unit (shopped for field installation)
- Pre-painted exterior panels and primer-coated interior panels tested to 500 hours salt spray protection
- Direct drive permanently lubricated condenser fan motors
- Newly designed terminal board facilitates simple safety circuit troubleshooting and simplified control box arrangement
- All units have high and low pressure switches
- Outdoor temperature cooling operation range up to 125°F (52°C) and down to 35°F (2°C) using winter start kit
- Models with optional low ambient control provide cooling operation down to -20°F (-29°C)
- All units factory run tested



6 - 7.5 Ton



20 Ton

WARRANTY

- 5 year compressor limited warranty
 - 1 year parts limited warranty
- See warranty certificate for complete details.



Use of the AHRI Certified TM Mark indicates a manufacturer's participation in the program. For verification of certification for individual products, go to www.ahridirectory.org.



UNIT PERFORMANCE DATA - Single Circuit								
Model Number	Cooling Circuits	Cooling			Total Power (kW)	Height x Width x Depth in (mm)	Operating Weight lbs (kg)	Notes
		Nom. Capacity Ton	Net Capacity BTU/h	EER				
CHS072HAA0A00A	1	6.0	70,000	11.0	6.4	42-3/8 x 59-3/8 x 45-7/8 (1076 x 1509 x 1165)	441 / 201	
CHS072HBA0A00A*	1	6.0	70,000	11.0	6.4		441 / 201	
CHS072LAA0A00A	1	6.0	70,000	11.0	6.4		441 / 201	
CHS072LBA0A00A*	1	6.0	70,000	11.0	6.4	42-3/8 x 59-3/8 x 45-7/8 (1076 x 1509 x 1165)	441 / 201	
CHS072SAA0A00A	1	6.0	70,000	11.0	6.4		441 / 201	
CHS072SBA0A00A*	1	6.0	70,000	11.0	6.4		441 / 201	
CHS091HAA0A00A	1	7.5	89,000	11.0	8.1	42-3/8 x 59-3/8 x 45-7/8 (1076 x 1509 x 1165)	483 / 219	
CHS091HBA0A00A*	1	7.5	89,000	11.0	8.1		483 / 219	
CHS091LAA0A00A	1	7.5	89,000	11.0	8.1		483 / 219	
CHS091LBA0A00A*	1	7.5	89,000	11.0	8.1	42-3/8 x 59-3/8 x 45-7/8 (1076 x 1509 x 1165)	483 / 219	
CHS091SAA0A00A	1	7.5	89,000	11.0	8.1		483 / 219	
CHS091SBA0A00A*	1	7.5	89,000	11.0	8.1		483 / 219	
CHS121HAA0A00A	1	10.0	112,000	11.0	10.2	50-3/8 x 59-3/8 x 45-7/8 (1279 x 1509 x 1165)	575 / 261	
CHS121HBA0A00A*	1	10.0	112,000	11.0	10.2		575 / 261	
CHS121LAA0A00A	1	10.0	112,000	11.0	10.2		575 / 261	
CHS121LBA0A00A*	1	10.0	112,000	11.0	10.2	50-3/8 x 59-3/8 x 45-7/8 (1279 x 1509 x 1165)	575 / 261	
CHS121SAA0A00A	1	10.0	112,000	11.0	10.2		575 / 261	
CHS121SBA0A00A*	1	10.0	112,000	11.0	10.2		575 / 261	

* Models with optional low ambient control

continued on next page

CHS (continued)

UNIT PERFORMANCE DATA (Cont.) - Dual Circuit

Model Number	Cooling Circuits	Cooling			Total Power (kW)	Height x Width x Depth in (mm)	Operating Weight lbs (kg)	Notes
		Nom. Capacity Ton	Net Capacity BTU/h	EER				
CHS180HDA0A00A	2	15.0	178,000	10.6	16.8	50-3/8 X 86-3/8 X 45-1/8 [1279 X 2193 X 1148]	768 / 348	
CHS180HEA0A00A*	2	15.0	178,000	10.6	16.8		768 / 348	
CHS180LDA0A00A	2	15.0	178,000	10.6	16.8		768 / 348	
CHS180LEA0A00A*	2	15.0	178,000	10.6	16.8		768 / 348	
CHS180SDA0A00A	2	15.0	178,000	10.6	16.8		768 / 348	
CHS180SEA0A00A*	2	15.0	178,000	10.6	16.8		768 / 348	
CHS240HDA0A00A	2	20.0	222,000	10.7	20.8	50-3/8 X 86-3/8 X 67-1/8 [1279 X 2193 X 1704]	1015 / 460	
CHS240HEA0A00A*	2	20.0	222,000	10.7	20.8		1015 / 460	
CHS240LDA0A00A	2	20.0	222,000	10.7	20.8		1015 / 460	
CHS240LEA0A00A*	2	20.0	222,000	10.7	20.8		1015 / 460	
CHS240SDA0A00A	2	20.0	222,000	10.7	20.8		1015 / 460	
CHS240SEA0A00A*	2	20.0	222,000	10.7	20.8		1015 / 460	

* Models with optional low ambient control

Accessories

Heat Pumps

N4H3, H4H3 (3-Phase R-410A Heat Pump)			
Part Number	Description	Used On Model Size	Notes
NASA001FS	Evaporator Freeze Thermostat	ALL	
NASA001LS	Liquid Line Solenoid Valve, HP, R-22 or R-410A	ALL	
NASA001TD	Time Delay Relay, Indoor Blower	ALL	
NASA001AC	Anti-Cycle Timer (5 minute delay)	ALL	
NASA401LA	Low Ambient Pressure Switch	N4H3-ALL	
NASA001SF	Support Feet, 4" tall	ALL	
NASA001SJ	Sound Jacket, Compressor	N4H3-30, 36, 42, 48	
NASA003SJ	Sound Jacket, Compressor	N4H3-60	
NASA00106SS	Snow Stand Kit	ALL	
NAEA40501TX	TXV Kit, R--410A -- 2010 and later Piston Coils	N4H3-30	
NAEA40601TX	TXV Kit, R--410A -- 2010 and later Piston Coils	H4H3-30, 36, 42	
NAEA40701TX	TXV Kit, R--410A -- 2010 and later Piston Coils	48, 60	
EBAC05TXVX	TXV Kit, R--410A -- 2005--2009 R--22 TXV Fancoils (air handlers)	N4H3-30	
EBAC06TXVX	TXV Kit, R--410A -- 2005--2009 R--22 TXV Fancoils (air handlers)	H4H3-30, 36, 42	
EBAC07TXVX	TXV Kit, R--410A -- 2005--2009 R--22 TXV Fancoils (air handlers)	48, 60	

R2H3**GHR (3-Phase Heat Pump Component)			
Part Number	Description	Used On Model Size	Notes
NASA001FS	Evaporator Freeze Thermostat	ALL	
NASA001LS	Liquid Line Solenoid Valve	ALL	
NASA001TD	Time Delay Relay, Indoor Blower	ALL	
NASA001AC	Anti-Cycle Timer (5 minute delay)	ALL	
NASA201LA	Low Ambient Kit (Pressure Switch)	ALL	
NASA204PS	High Pressure Switch*	ALL	
NASA001SF	Support Feet, 4" tall	ALL	
NASA001CH	Crankcase Heater for Compressor	30, 36, 42, 48, 60	
NASA002SJ	Sound Jacket, Compressor	30	
NASA001SJ	Sound Jacket, Compressor	36, 42, 48	
NASA003SJ	Sound Jacket, Compressor	60	
AMF153TKB	TXV Kit, R-22 (converts R-22 piston coils to R-22 TXV)	30, 36	
AMF355TKB	TXV Kit, R-22 (converts R-22 piston coils to R-22 TXV)	42, 48, 60	

**SOME MODELS MAY BE FACTORY INSTALLED.
REFER TO PRODUCT SPECIFICATIONS FOR EXACT ACCESSORY MATCH.**

Accessories

Ducted Horizontal Heat Pumps

HC4H3 (R-410A Heat Pump)			
Part Number	Description	Used On Model Size	Notes
NASA001TD	TIME DELAY KIT	All	
EBAC06TXVX	TXV KIT, R-410A	36	
EBAC07TXVX	2005-2009 R-22 TXV	48	
EBAC08TXVX	Fan coils (air handlers)	60	
NAEA40601TX	TXV KIT, R-410A	36	
NAEA40701TX	2010 and later Piston coils	48	
NASA402LA	LOW AMBIENT KIT	All	
NASA001FS	FRZ THERM KIT	All	
NASA001CH	CRANKCASE HEATER KIT	48AH*, 60AH*	
NASA002CH	CRANKCASE HEATER KIT	48AL*, 60AL*	
NASA003CH	CRANKCASE HEATER KIT	36AH*	
NASA004CH	CRANKCASE HEATER KIT	36AL*	
NASA001SJ	SOUND JACKET KIT	48, 60	
NASA002SJ	SOUND JACKET KIT	36	
NASA001LS	SOL VALVE KIT	All	
NASA001SC	PTC KIT	All	
NASA003SC	HARD START KIT	All	
NASA001AC	CYCLE PROTECTOR KIT	All	
NASA00301WB	WIND BAFFLE KIT	36	
NASA00401WB	WIND BAFFLE KIT	48, 60	
NASA00201WM	WALL MOUNT KIT	36, 48, 60	

*Factory Installed

REFER TO PRODUCT SPECIFICATIONS FOR EXACT ACCESSORY MATCH.

Accessory Model Number	Description	Accessories	Notes
LOW AMBIENT CONTROLS			
DALOWAMB004A00	Low Ambient Temperature Head Pressure Controller, allows cooling operation down to 20°F by varying the speed on the condenser fan.	072 - 121 (208/230-3-60v only)	
DALOWAMB005A00		072 - 091 (460-3-60v only)	
DALOWAMB009A00		121 (460-3-60v only)	
DALOWAMB006A00		072 - 121 (575-3-60v only)	
CALOWAMB024A00	Low Ambient Temperature Head Pressure Controller, allows cooling operation down to 20°F by varying the speed on the condenser fan.	180 (208/230-3-60v only)	
CALOWAMB025A00		180 (460-3-60v only)	
CALOWAMB026A00		180 (575-3-60v only)	
CALOWAMB027A00		240 (208/230-3-60v only)	
CALOWAMB028A00		240 (460-3-60v only)	
CALOWAMB029A00		240 (575-3-60v only)	
LOUVERED HAIL GUARDS - CONDENSER COIL			
CALVHLGD005A00	Louvered Condenser Coil Hail Guard - Includes louvered panel(s) to protect condenser coil from damage and vandalism	072	
CALVHLGD006A00		091	
CALVHLGD010A00		121	
CALVHLGD008A00		180	
CALVHLGD009A00		240	
LIQUID LINE SOLENOID VALVES (LLSV)			
1179871 ¹	Liquid Line Solenoid Valve	(3/8 L)	
1179872 ¹	Liquid Line Solenoid Valve	(1/2" L)	
1179873 ¹	Liquid Line Solenoid Valve	(5/8 L)	
1179874	Solenoid Coil	ALL	
BI-FLOW SIGHT GLASSES**			
1179879	Sight Glass	(3/8 L)	
1179878	Sight Glass	(1/2 L)	
1179877	Sight Glass	(5/8 L)	

¹ Bi-Flow kit 1183150 is also required

L - Liquid line

** Available from FAST parts

REFER TO PRODUCT SPECIFICATIONS FOR EXACT ACCESSORY MATCH.

DIRECT EXPANSION COMMERCIAL PACKAGED AIR HANDLING UNITS, 6 - 25 TONS

BUILT TO LAST, EASY TO INSTALL AND SERVICE

- Multi-position design for horizontal or vertical installation without modification
- Two sloped condensate pans on each unit for horizontal or vertical applications
- Cleanable insulation treated with Environmental Protection Agency (EPA) registered antimicrobial agent improves indoor air quality
- 2 inch filters
- High static design meets a wide range of applications
- Powerful belt-driven forward curved fans
- Single refrigerant circuit on 072 and 091 sizes; dual refrigerant circuit on 120-300 sizes. Dual circuit can be field modified for use on single circuit condensers.
- Single blower on 072 to 120 sizes; dual blower on 150 to 300 sizes
- Cooling coils with mechanically bonded fins provide peak heat transfer
- Standard factory-installed thermo-static expansion valve (TXV) with removable power element
- Easy maintenance - removal of single panel allows access to virtually all components
- Die-formed galvanized steel casings provide durability and structural integrity (optional paint is available)
- 24-volt terminal block for control wiring connection.
- Economizer accessory provides ventilation air and free cooling
- Hot water coil, steam coil, and electric heat accessories are available



FAS072-120



FAS150-180

WARRANTY

- 1 year parts limited warranty
- See warranty certificate for complete details.



Use of the AHRI Certified TM Mark indicates a manufacturer's participation in the program. For verification of certification for individual products, go to www.ahridirectory.org.

UNIT PERFORMANCE DATA					
Model Number	Nominal Tons	Number of Circuits	Height x Width x Depth in (mm)	Operating Weight lbs (kg)	Notes
FAS072KAAA0A0A	6	1	56-1/16 x 49 x 28-3/16 (1424 x 1244 x 714)	399 (181)	
FAS072KBAA0A0A*	6	1	56-1/16 x 49 x 28-3/16 (1424 x 1244 x 714)	399 (181)	
FAS072MAAA0A0A	6	1	56-1/16 x 49 x 28-3/16 (1424 x 1244 x 714)	399 (181)	
FAS072MBAA0A0A*	6	1	56-1/16 x 49 x 28-3/16 (1424 x 1244 x 714)	399 (181)	
FAS072SAAA0A0A	6	1	56-1/16 x 49 x 28-3/16 (1424 x 1244 x 714)	399 (181)	
FAS072SBAA0A0A*	6	1	56-1/16 x 49 x 28-3/16 (1424 x 1244 x 714)	399 (181)	
FAS091KAAA0A0A	7-1/2	1	56-1/16 x 49 x 28-3/16 (1424 x 1244 x 714)	404 (183)	
FAS091KBAA0A0A*	7-1/2	1	56-1/16 x 49 x 28-3/16 (1424 x 1244 x 714)	404 (183)	
FAS091MAAA0A0A	7-1/2	1	56-1/16 x 49 x 28-3/16 (1424 x 1244 x 714)	404 (183)	
FAS091MBAA0A0A*	7-1/2	1	56-1/16 x 49 x 28-3/16 (1424 x 1244 x 714)	404 (183)	
FAS091SAAA0A0A	7-1/2	1	56-1/16 x 49 x 28-3/16 (1424 x 1244 x 714)	404 (183)	
FAS091SBAA0A0A*	7-1/2	1	56-1/16 x 49 x 28-3/16 (1424 x 1244 x 714)	404 (183)	
FAS120MAAA0A0A	10	2	56-1/16 x 49 x 28-3/16 (1424 x 1244 x 714)	425 (193)	
FAS120MBAA0A0A*	10	2	56-1/16 x 49 x 28-3/16 (1424 x 1244 x 714)	425 (193)	
FAS120SAAA0A0A	10	2	56-1/16 x 49 x 28-3/16 (1424 x 1244 x 714)	425 (193)	
FAS120SBAA0A0A*	10	2	56-1/16 x 49 x 28-3/16 (1424 x 1244 x 714)	425 (193)	
FAS150MAAA0A0A	12-1/2	2	56-1/16 x 89 x 28-3/16 (1424 x 2261 x 714)	695 (315)	
FAS150MBAA0A0A*	12-1/2	2	56-1/16 x 89 x 28-3/16 (1424 x 2261 x 714)	695 (315)	
FAS150SAAA0A0A	12-1/2	2	56-1/16 x 89 x 28-3/16 (1424 x 2261 x 714)	695 (315)	
FAS150SEAA0A0A*	12-1/2	2	56-1/16 x 89 x 28-3/16 (1424 x 2261 x 714)	695 (315)	
FAS180MAAA0A0A	15	2	56-1/16 x 89 x 28-3/16 (1424 x 2261 x 714)	713 (323)	

*High Static Models

continued on next page

FAS (continued)

UNIT PERFORMANCE DATA (Cont.)					
Model Number	Nominal Tons	Number of Circuits	Height x Width x Depth in (mm)	Operating Weight lbs (kg)	Notes
FAS180SAAA0A0A	15	2	56-1/16 x 89 x 28-3/16 (1424 x 2261 x 714)	713 (323)	
FAS180HEAA0A0A*	15	2	56-1/16 x 89 x 28-3/16 (1424 x 2261 x 714)	713 (323)	
FAS180SEAA0A0A*	15	2	56-1/16 x 89 x 28-3/16 (1424 x 2261 x 714)	713 (323)	
FAS240HAAA0A0A	20	2	56-1/16 x 89 x 28-3/16 (1424 x 2261 x 714)	730 (331)	
FAS240HEAA0A0A*	20	2	56-1/16 x 89 x 28-3/16 (1424 x 2261 x 714)	730 (331)	
FAS240LAAA0A0A	20	2	56-1/16 x 89 x 28-3/16 (1424 x 2261 x 714)	730 (331)	
FAS240LEAA0A0A*	20	2	56-1/16 x 89 x 28-3/16 (1424 x 2261 x 714)	730 (331)	
FAS240SAAA0A0A	20	2	56-1/16 x 89 x 28-3/16 (1424 x 2261 x 714)	730 (331)	
FAS240SEAA0A0A*	20	2	56-1/16 x 89 x 28-3/16 (1424 x 2261 x 714)	730 (331)	
FAS300HAAA0A0A	25	2	65-9/16 x 100-1/2 x 32-5/8 (1665x2553x829)	1050 (477)	
FAS300HEAA0A0A*	25	2	65-9/16 x 100-1/2 x 32-5/8 (1665x2553x829)	1050 (477)	
FAS300LAAA0A0A	25	2	65-9/16 x 100-1/2 x 32-5/8 (1665x2553x829)	1050 (477)	
FAS300LEAA0A0A*	25	2	65-9/16 x 100-1/2 x 32-5/8 (1665x2553x829)	1050 (477)	
FAS300SAAA0A0A	25	2	65-9/16 x 100-1/2 x 32-5/8 (1665x2553x829)	1050 (477)	
FAS300SEAA0A0A*	25	2	65-9/16 x 100-1/2 x 32-5/8 (1665x2553x829)	1050 (477)	

*High Static Models

Accessory Model Number	Description	Use With	Notes
GRILLES			
AGRC01AA	Return Air Grille	6 to 10	
AGRPC01AA	Return Air Grille, Painted	6 to 10	
AGRC02BA	Return Air Grille	12-1/2 to 20	
CARAGRIL003A00	Return Air Grille	25	
CARAGRIL006A00	Return Air Grille, Painted	25	
STEAM COILS			
ASPC01AA	Steam Coil (1 Row)	6 to 10	
ASPC02BA	Steam Coil (1 Row)	12-1/2 to 20	
CASTCOIL003A00	Steam Coil (1 Row)	25	
SUBBASE			
ASBC01A	Floor Mount Base (Subbase)	6 to 20	
CASUBASE002A00	Floor Mount Base (Subbase)	25	
CASUBASE004A00	Floor Mount Base (Subbase), Painted	25	
SUSPENSION BRACKETS			
AHBC01A	Overhead Suspension Brackets	6 to 25	
CONDENSATE OVERFLOW			
ACSC01A	Condensate Overflow Switch	6 to 25	
PLENUMS			
APDC01AA	Discharge Plenum	6 to 10	
APDPC01AA	Discharge Plenum, Painted	6 to 10	
APDC02BA	Discharge Plenum	12-1/2 to 20	
CAPLENUM003A00	Discharge Plenum	25	
CAPLENUM006A00	Discharge Plenum, Painted	25	
ECONOMIZER			
AEMC01AA	Economizer	6 to 10	
AEMC02BA	Economizer	12-1/2 to 20	
CAECOMZR003A00	Economizer	25	
CO2 SENSOR			
DNCBDIOX005A00	CO2 Sensor for Economizer	6 to 20	
HOT WATER COIL			
AHWC01AA	Hot Water Coil (2 Row)	6 to 10	
AHWC02BA	Hot Water Coil (2 Row)	12-1/2 to 20	
CAHWCOIL003A00	Hot Water Coil (2 Row)	25	
TRANSFORMER RELAY			
CATRANRY001A00	Transformer Relay Package - Contains 200/230/460 to 24-volt transformer, indoor fan and solenoid valve relays with wiring and quick connect terminals. Recommended for 24-volt thermostat applications when additional VA is required.	6 to 25	
ELECTRIC HEATERS			
AAHC05AHA	5 kW, 208/240v	6 to 10	
AAHC05ALA	5 kW, 480v	6 to 10	
AAHC05ASA	5 kW, 575v	6 to 10	
AAHC10AHA	10 kW, 208/240v	6 to 10	
AAHC10ALA	10 kW, 480v	6 to 10	
AAHC10ASA	10 kW, 575v	6 to 10	
AAHC15AHA	15 kW, 208/240v	6 to 10	
AAHC15ALA	15 kW, 480v	6 to 10	
AAHC15ASA	15 kW, 575v	6 to 10	
AAHC25AHA	25 kW, 208/240v	6 to 10	

continued on next page

Accessory Model Number	Description	Use With	Notes
ELECTRIC HEATERS			
AAHC25ALA	25 kW, 480v	6 to 10	
AAHC25ASA	25 kW, 575v	6 to 10	
AAHC35CHA	35 kW, 208/240	7.5 to 10	
AAHC35CLA	35 kW, 480v	7.5 to 10	
AAHC35CSA	35 kW, 575v	7.5 to 10	
AAHC10BHA	10 kw, 208/240v	12-1/2 to 20	
AAHC10BLA	10 kw, 480v	12-1/2 to 20	
AAHC10BSA	10 kw, 575v	12-1/2 to 20	
AAHC20BHA	20 kw, 208/240v	12-1/2 to 20	
AAHC20BLA	20 kw, 480v	12-1/2 to 20	
AAHC20BSA	20 kw, 575v	12-1/2 to 20	
AAHC30BHA	30 kw, 208/240v	12-1/2 to 20	
AAHC30BLA	30 kw, 480v	12-1/2 to 20	
AAHC30BSA	30 kw, 575v	12-1/2 to 20	
AAHC50DHA	50 kw, 208/240v	15 to 20	
AAHC50DLA	50 kw, 480v	15 to 20	
AAHC50DSA	50 kw, 575v	15 to 20	
AAHC20EHA	20 kw, 208/240v	25	
AAHC20ELA	20 kw, 480v	25	
AAHC20ESA	20 kw, 575v	25	
AAHC40EHA	40 kw, 208/240v	25	
AAHC40ELA	40 kw, 480v	25	
AAHC40ESA	40 kw, 575v	25	
AAHC50EHA	50 kw, 208/240v	25	
AAHC50ELA	50 kw, 480v	25	
AAHC50ESA	50 kw, 575v	25	
AAHC70EHA	70 kw, 208/240v	25	
AAHC70ELA	70 kw, 480v	25	
AAHC70ESA	70 kw, 575v	25	

REFER TO PRODUCT SPECIFICATIONS FOR EXACT ACCESSORY MATCH.

Accessory Model Number	Description	Use With Size (Ton)	Notes
GRILLES			
AGRC01AA	Return Air Grille	6 to 10	
AGRPC01AA	Return Air Grille (Painted)	6 to 10	
AGRC02BA	Return Air Grille	15 & 20	
AGRPC02BA	Return Air Grille (Painted)	15 & 20	
STEAM COILS			
ASPC01AA	Steam Coil (1 Row)	6 to 10	
ASPC02BA	Steam Coil (1 Row)	15 & 20	
SUBBASE			
ASBC01A	Floor Mount Base (Subbase)	6 to 20	
ASBPC01A	Floor Mount Base (Subbase) (Painted)	6 to 20	
SUSPENSION BRACKETS			
AHBC01A	Overhead Suspension Brackets	6 to 20	
CONDENSATE OVERFLOW			
ACSC01A	Condensate Overflow Switch	6 to 20	
PLENUMS			
APDC01AA	Discharge Plenum	6 to 10	
APDPC01AA	Discharge Plenum (Painted)	6 to 10	
APDC02BA	Discharge Plenum	15 & 20	
APDPC02BA	Discharge Plenum (Painted)	15 & 20	
ECONOMIZER			
AEMC01AA	Economizer	6 to 10	
AEMC02AA	Economizer	15 & 20	
CO2 SENSOR			
DNCBDIOX005A00	CO2 Sensor for Economizer	6 to 20	
HOT WATER COIL			
AHWC01AA	Hot Water Coil (2 Row)	6 to 10	
AHWC02BA	Hot Water Coil (2 Row)	15 & 20	
RELAY PACKAGE			
CATRANRY001A00	Transformer Relay Package - Contains 200/230/460 to 24-volt transformer, indoor fan and solenoid valve relays with wiring and quick connect terminals. (Recommended for 24-volt thermostat applications when additional VA is required)	6 to 20	
33ZCRLYBRD	Fan Coil Relay Board - Allows line voltage connections between fan coil controller and multi-speed fans of line voltage actuators.	15 (1 required) & 20 (2 required)	
ELECTRIC HEATERS			
AAHC05AHA	5 kW, 208/240v	6 to 10	
AAHC05ALA	5 kW, 480v	6 to 10	
AAHC05ASA	5 kW, 575v	6 to 10	
AAHC10AHA	10 kW, 208/240v	6 to 10	
AAHC10ALA	10 kW, 480v	6 to 10	
AAHC10ASA	10 kW, 575v	6 to 10	
AAHC15AHA	15 kW, 208/240v	6 to 10	
AAHC15ALA	15 kW, 480v	6 to 10	
AAHC15ASA	15 kW, 575v	6 to 10	
AAHC25AHA	25 kW, 208/240v	6 to 10	
AAHC25ALA	25 kW, 480v	6 to 10	
AAHC25ASA	25 kW, 575v	6 to 10	
AAHC35CHA	35 kW, 208/240	7.5 to 10	
AAHC35CLA	35 kW, 480v	7.5 to 10	

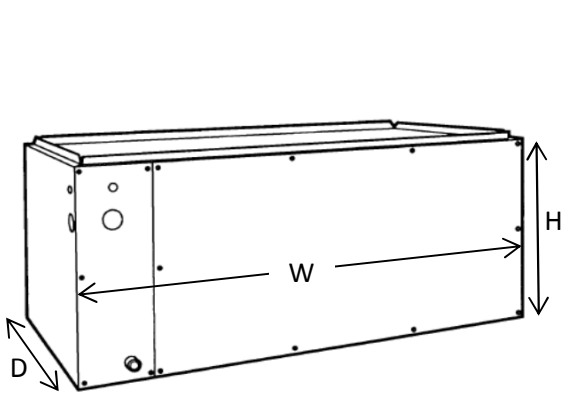
Accessory Model Number	Description	Use With Size (Ton)	Notes
ELECTRIC HEATERS			
AAHC35CSA	35 kW, 575v	7.5 to 10	
AAHC10BHA	10 kW, 208/240v	15 & 20	
AAHC10BLA	10 kW, 480v	15 & 20	
AAHC10BSA	10 kW, 575v	15 & 20	
AAHC20BHA	20 kW, 208/240v	15 & 20	
AAHC20BLA	20 kW, 480v	15 & 20	
AAHC20BSA	20 kW, 575v	15 & 20	
AAHC30BHA	30 kW, 208/240v	15 & 20	
AAHC30BLA	30 kW, 480v	15 & 20	
AAHC30BSA	30 kW, 575v	15 & 20	
AAHC50BHA	50 kW, 208/240v	15 & 20	
AAHC50BLA	50 kW, 480v	15 & 20	
AAHC50BSA	50 kW, 575v	15 & 20	

REFER TO PRODUCT SPECIFICATIONS FOR EXACT ACCESSORY MATCH.

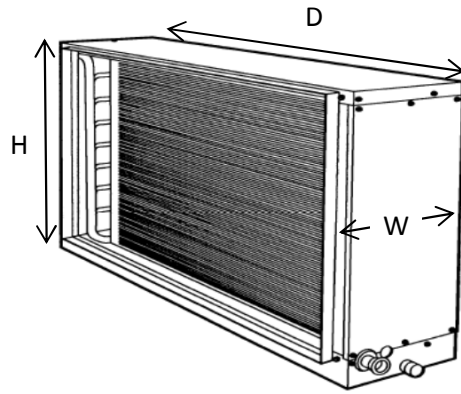
CAHZ/CAVT

REPLACEMENT ENCASED COILS, R-410A or R22, 6 - 20 TONS

- CAHZ design for horizontal installation
- CAVT design vertical installation
- TXV metering device factory installed
- Insulated casings
- Coils are UL listed
- Shipping with factory nitrogen hold charge



CAVTcoil (Vertical)



CAHZcoil (Horizontal)

UNIT PERFORMANCE DATA						
Model Number	Design	Nominal Tons	Number of Circuits	Height x Width x Depth in (mm)	Operating Weight lbs (kg)	Notes
R-410A						
CAHZCOIL408A	Horizontal	7.5	1	28.3 x 10.8 x 48 (719 x 274 x 1219)	156 (71)	
CAHZCOIL412A	Horizontal	10	1	28.3 x 10.8 x 68 (719 x 274 x 1727)	202 (92)	
CAVTcoil408A	Vertical	7.5	1	18.6 x 42 x 22.2 (472 x 1067 x 564)	168 (76)	
CAVTcoil412A	Vertical	10	2	18.6 x 53.4 x 22.2 (472 x 1356 x 564)	222 (101)	
R22						
CAHZCOIL208A	Horizontal	7.5	1	28.3 x 10.8 x 48 (719 x 274 x 1219)	156 (71)	
CAHZCOIL212A	Horizontal	10	1	28.3 x 10.8 x 68 (719 x 274 x 1727)	202 (92)	
CAVTcoil208A	Vertical	7.5	1	18.6 x 42 x 22.2 (472 x 1067 x 564)	168 (76)	
CAVTcoil212A	Vertical	10	2	18.6 x 53.4 x 22.2 (472 x 1356 x 564)	222 (101)	

NOTES

COMMERCIAL RTU

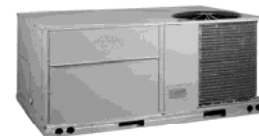
3-27.5 TON

NOTES

HIGH EFFICIENCY PACKAGE GAS HEATING/ELECTRIC COOLING R-410A SINGLE PACKAGE ROOFTOP 3 - 12.5 TONS (1 & 3-Phase)

BUILT TO LAST, EASY TO INSTALL AND SERVICE

- One-piece, high efficiency gas heating and electric cooling with a low profile, prewired, tested and charged at the factory
- All units are convertible from downflow to horizontal air flow; no special adapter curbs are necessary
- Full perimeter base rail with built-in rigging adapters and fork truck slots
- Pre-painted exterior panels and primer-coated interior panels tested to 500 hours salt spray protection
- Fully insulated cabinet
- Tubular-section type aluminized heat exchanger standard with optional stainless steel heat exchanger available
- Single-stage cooling capacity control on 036-072 models, two-stage on 090-150 models
- Redundant gas valve, up to two stages of heating
- Exclusive IGC solid-state control for on-board diagnostics with LED error code designation, burner control logic and energy saving indoor fan motor delay
- High efficiency, gas heat with induced draft flue exhaust design
- Single scroll compressor on 036-072 models, dual scroll compressors on 090 -150 models with internal line-break overload protection
- All units have high and low pressure switches
- Two inch disposable fiberglass type return air filters in dedicated rack with tool-less filter access door
- Refrigerant circuits contain a liquid line filter drier to trap dirt and moisture
- Indoor and outdoor coils constructed of aluminum fins mechanically bonded to seamless copper tubes
- Newly-designed indoor refrigerant header for easier maintenance and replacement
- Exclusive non-corrosive composite condensate pan in accordance with ASHRAE 62 Standard, sloping design; side or center drain
- Direct drive high efficiency ECM blower motors on 036-060 single phase models
- Belt drive evaporator-fan motor and pulley combinations available on all 3 phase models
- Access panels with easy grip handles provide quick and easy access to the blower and blower motor, control box, and compressor
- Field convertible airflow (3-12.5 ton). 12.5 ton models require a simple supply air duct cover to field convert from factory vertical to horizontal.
- No-strip screw system has superior holding power and guides screws into position while preventing the screw from stripping the unit's metal
- Newly designed terminal board facilitates simple safety circuit troubleshooting and simplified control box arrangement
- Outdoor temperature cooling operation range up to 125°F (46°C) and down to 25°F (-4°C) using winter start kit
- TXV refrigerant metering device on each circuit to precisely control refrigerant flow
- Large, laminated control wiring and power wiring drawings are affixed to unit to make troubleshooting easy
- Standard, medium and high static fan motor options available
- Exclusive IGC anti-cycle protection for gas heat operation
- Provisions for thru-the-bottom power entry capability
- Single point gas and electrical connections
- Optional 2 speed drive motor system utilizes a Variable Frequency Drive (VFD) to automatically adjust the indoor fan motor speed between cooling stages.
- Factory installed Hot Gas Reheat Adaptive Dehumidification System on all sizes, includes MotorMaster I controller.
- Low NOx models available that meet California Air Quality Management NOx requirements and include stainless steel heat exchangers



RGH036-060



RGH072-120



As an Energy Star® Partner, International Comfort Products, has determined that this product meets the ENERGY STAR® guidelines for energy efficiency.

WARRANTY

- 15 Year limited warranty on optional stainless steel heat exchanger
- 10 year limited warranty on aluminized heat exchanger
- 5 year compressor limited warranty
- 1 year parts limited warranty

See warranty certificate for complete details



Use of the AHRI Certified TM Mark indicates a manufacturer's participation in the program. For verification of certification for individual products, go to www.ahridirectory.org.



UNIT PERFORMANCE DATA - SINGLE STAGE COOLING									
Model Number	Nominal Tons	Cooling			Heating		Height x Width x Depth in (mm)	Operating Weight lbs (kg)	Notes
		Capacity BTU/h	SEER	EER	Input BTU/h	AFUE%			
RGH036KDXA0AAA	3	36,000	15.00	12.50	72,000	82.0	33-3/8 x 46-3/4 x 74-3/8 (847 x 1187 x 1888)	505 (229)	
RGH036HDXA0AAA									
RGH036LDXA0AAA									
RGH036SDXA0AAA									

continued on next page

RGH (continued)

UNIT PERFORMANCE DATA - SINGLE STAGE COOLING (Continued)									
Model Number	Nominal Tons	Cooling			Heating		Height x Width x Depth in (mm)	Operating Weight lbs (kg)	Notes
		Capacity BTU/h	SEER	EER	Input BTU/h	AFUE%			
RGH036KEXA0AAA	3	36,000	15.00	12.50	115,000	80.0	33-3/8 x 46-3/4 x 74-3/8 (847 x 1187 x 1888)	505 (229)	
RGH036HEXA0AAA									
RGH036LEXA0AAA									
RGH036SEXA0AAA									
RGH048KDXA0AAA	4	48,500	15.60	13.00	72,000	82.0	41-3/8 x 46-3/4 x 74-3/8 (1051 x 1187 x 1888)	590 (268)	
RGH048HDXA0AAA									
RGH048LDXA0AAA									
RGH048SDXA0AAA									
RGH048KEXA0AAA	4	48,500	15.60	13.00	115,000	81.0	41-3/8 x 46-3/4 x 74-3/8 (1051 x 1187 x 1888)	590 (268)	
RGH048HEXA0AAA									
RGH048LEXA0AAA									
RGH048SEXA0AAA									
RGH048KFXA0AAA	4	48,500	15.60	13.00	150,000	80.0	41-3/8 x 46-3/4 x 74-3/8 (1051 x 1187 x 1888)	590 (268)	
RGH048HFXA0AAA									
RGH048LFXA0AAA									
RGH048SFXA0AAA									
RGH060KDXA0AAA	5	57,500	15.20	12.45	72,000	82.0	41-3/8 x 46-3/4 x 74-3/8 (1051 x 1187 x 1888)	600 (271)	
RGH060HDXA0AAA									
RGH060LDXA0AAA									
RGH060SDXA0AAA									
RGH060KEXA0AAA	5	57,500	15.20	12.45	115,000	81.0	41-3/8 x 46-3/4 x 74-3/8 (1051 x 1187 x 1888)	600 (271)	
RGH060HEXA0AAA									
RGH060LEXA0AAA									
RGH060SEXA0AAA									
RGH060KFXA0AAA	5	57,500	15.20	12.45	150,000	80.0	41-3/8 x 46-3/4 x 74-3/8 (1051 x 1187 x 1888)	600 (271)	
RGH060HFXA0AAA									
RGH060LFXA0AAA									
RGH060SFXA0AAA									
RGH072HDAA0AAA	6	73,000	N/A	12.00	72,000	82.0	41-1/4 x 59-1/2 x 88-1/8 (1048 x 1510 x 2238)	765 (347)	
RGH072LDAA0AAA									
RGH072SDAA0AAA									
RGH072HEAA0AAA									
RGH072LEAA0AAA	6	73,000	N/A	12.00	125,000	81.0	41-1/4 x 59-1/2 x 88-1/8 (1048 x 1510 x 2238)	765 (347)	
RGH072SEAA0AAA									
RGH072HFAA0AAA									
RGH072LFAA0AAA									
RGH072SFAA0AAA	6	73,000	N/A	12.00	150,000	80.0	41-1/4 x 59-1/2 x 88-1/8 (1048 x 1510 x 2238)	765 (347)	
UNIT PERFORMANCE DATA - TWO STAGE COOLING									
RGH090HDAA0AAA	7.5	89,000	N/A	12.00	125,000	82.0	49-3/8 x 59-1/2 x 88-1/8 (1253 x 1510 x 2238)	920 (420)	
RGH090LDAA0AAA									
RGH090SDAA0AAA									
RGH090HEAA0AAA	7.5	89,000	N/A	12.00	180,000	82.0	49-3/8 x 59-1/2 x 88-1/8 (1253 x 1510 x 2238)	920 (420)	
RGH090LEAA0AAA									
RGH090SEAA0AAA									
RGH090HFAA0AAA	7.5	89,000	N/A	12.00	224,000	82.0	49-3/8 x 59-1/2 x 88-1/8 (1253 x 1510 x 2238)	920 (420)	
RGH090LFAA0AAA									
RGH090SFAA0AAA									
RGH102HDAA0AAA	8.5	97,000	N/A	12.00	125,000	82.0	49-3/8 x 59-1/2 x 88-1/8 (1253 x 1510 x 2238)	925 (420)	
RGH102LDAA0AAA									
RGH102SDAA0AAA									
RGH102HEAA0AAA	8.5	97,000	N/A	12.00	180,000	82.0	49-3/8 x 59-1/2 x 88-1/8 (1253 x 1510 x 2238)	925 (420)	
RGH102LEAA0AAA									
RGH102SEAA0AAA									
RGH102HFAA0AAA	8.5	97,000	N/A	12.00	224,000	82.0	49-3/8 x 59-1/2 x 88-1/8 (1253 x 1510 x 2238)	925 (420)	
RGH102LFAA0AAA									
RGH102SFAA0AAA									

RGH (continued)

UNIT PERFORMANCE DATA - TWO STAGE COOLING (Continued)									
Model Number	Nominal Tons	Cooling			Heating		Height x Width x Depth in (mm)	Operating Weight lbs (kg)	Notes
		Capacity BTU/h	SEER	EER	Input BTU/h	AFUE%			
RGH110HDAA0AAA	10	111,000	N/A	12	180,000	82.0	49-3/8 x 59-1/2 x 88-1/8 (1253 x 1510 x 2238)	1099 (498)	
RGH110LDAA0AAA									
RGH110SDAA0AAA									
RGH110HEAA0AAA	10	111,000	N/A	12	224,000	82.0	49-3/8 x 59-1/2 x 88-1/8 (1253 x 1510 x 2238)	1099 (498)	
RGH110LEAA0AAA									
RGH110SEAA0AAA									
RGH110HFAA0AAA	10	111,000	N/A	12	250,000	82.0	49-3/8 x 59-1/2 x 88-1/8 (1253 x 1510 x 2238)	1099 (498)	
RGH110LFAA0AAA									
RGH110SFAA0AAA									
RGH120HDAA0AAA	10	115,000	N/A	11.50	180,000	82.0	49-3/8 x 59-1/2 x 88-1/8 (1253 x 1510 x 2238)	1099 (498)	
RGH120LDAA0AAA									
RGH120SDAA0AAA									
RGH120HEAA0AAA	10	115,000	N/A	11.50	224,000	82.0	49-3/8 x 59-1/2 x 88-1/8 (1253 x 1510 x 2238)	1099 (498)	
RGH120LEAA0AAA									
RGH120SEAA0AAA									
RGH120HFAA0AAA	10	115,000	N/A	11.50	250,000	80.0	49-3/8 x 59-1/2 x 88-1/8 (1253 x 1510 x 2238)	1099 (498)	
RGH120LFAA0AAA									
RGH120SFAA0AAA									
RGH150HDAA0AAA	12.5	146,000	N/A	12.20	150,000	80.0	49-3/8 x 59-1/2 x 88-1/8 (1253 x 1510 x 2238)	1430 (649)	
RGH150LDAA0AAA									
RGH150HEAA0AAA									
RGH150LEAA0AAA	12.5	146,000	N/A	12.20	180,000	81.0	49-3/8 x 59-1/2 x 88-1/8 (1253 x 1510 x 2238)	1430 (649)	
RGH150SEAA0AAA									
RGH150HFAA0AAA									
RGH150LFAA0AAA	12.5	146,000	N/A	12.20	240,000	81.0	57-3/8 x 63-3/8 x 115-7/8 (1456 x 1609 x 2942)	1430 (649)	
RGH150SFAA0AAA									

UNIT PERFORMANCE DATA FOR LOW NOx MODELS									
Model Number	Nominal Tons	Cooling			Heating		Height x Width x Depth in (mm)	Operating Weight lbs (kg)	Notes
		Capacity BTU/h	SEER	EER	Input BTU/h	AFUE%			
RGH036KLXA0AAA	3	36,000	15.00	12.50	60,000	80.0	33-3/8 x 46-3/4 x 74-3/8 (847 x 1187 x 1888)	505 (229)	
RGH036HLXA0AAA									
RGH036LLXA0AAA									
RGH036KMXA0AAA	3	36,000	15.00	12.50	90,000	81.0	33-3/8 x 46-3/4 x 74-3/8 (847 x 1187 x 1888)	505 (229)	
RGH036HMXA0AAA									
RGH036LMXA0AAA									
RGH048KLXA0AAA	4	48,500	15.60	13.00	60,000	80.0	41-3/8 x 46-3/4 x 74-3/8 (1051 x 1187 x 1888)	590 (268)	
RGH048HLXA0AAA									
RGH048LLXA0AAA									
RGH048KMXA0AAA	4	48,500	15.60	13.00	90,000	81.0	41-3/8 x 46-3/4 x 74-3/8 (1051 x 1187 x 1888)	590 (268)	
RGH048HMXA0AAA									
RGH048LMXA0AAA									
RGH048KNXA0AAA	4	48,500	15.60	13.00	120,000	80.0	41-3/8 x 46-3/4 x 74-3/8 (1051 x 1187 x 1888)	590 (268)	
RGH048HNXA0AAA									
RGH048LNXA0AAA									
RGH060KLXA0AAA	5	57,500	15.20	12.45	60,000	80.0	41-3/8 x 46-3/4 x 74-3/8 (1051 x 1187 x 1888)	600 (271)	
RGH060HLXA0AAA									
RGH060LLXA0AAA									
RGH060KMXA0AAA	5	57,500	15.20	12.45	90,000	81.0	41-3/8 x 46-3/4 x 74-3/8 (1051 x 1187 x 1888)	600 (271)	
RGH060HMXA0AAA									
RGH060LMXA0AAA									
RGH060KNXA0AAA	5	57,500	15.20	12.45	120,000	81.0	41-3/8 x 46-3/4 x 74-3/8 (1051 x 1187 x 1888)	600 (271)	
RGH060HNXA0AAA									
RGH060LNXA0AAA									

HIGH EFFICIENCY PACKAGE GAS HEATING/ELECTRIC COOLING R-410A SINGLE PACKAGE ROOFTOP 15 - 25 TONS

BUILT TO LAST, EASY TO INSTALL AND SERVICE

- One-piece, gas heating and electric cooling with a low profile, prewired, tested and charged at the factory
- Dedicated vertical or horizontal air flow duct configuration models; no field kits required
- Full perimeter base rail with built-in rigging adapters and fork truck slots
- Pre-painted exterior panels and primer-coated interior panels tested to 500 hours salt spray protection
- Fully insulated cabinet
- Two-stage cooling with independent circuits and control on all models
- Redundant gas valve for two stage gas heating capacity control
- Exclusive IGC solid-state control for on-board diagnostics with LED error code designation, burner control logic and energy saving indoor fan motor delay
- High efficiency, gas heat with induced draft flue exhaust design
- Scroll compressors on all models
- All units have high and low pressure switches
- Two inch disposable fiberglass type return air filters in dedicated rack with tool-less filter access door
- Refrigerant circuits contain a liquid line filter drier to trap dirt and moisture
- Exclusive non-corrosive composite condensate pan in accordance with ASHRAE 62 Standard, sloping design; end drain
- Belt drive evaporator-fan motor and pulley combinations available to meet most applications
- Access panels with easy grip handles provide quick and easy access to the blower and blower motor, control box, and compressors
- "No-strip" screw system has superior holding power and guides screws into position while preventing the screw from stripping the unit's metal
- Newly designed terminal board facilitates simple safety circuit troubleshooting and simplified control box arrangement
- Standard outdoor temperature cooling operation range up to 125°F (52°C) and down to 35°F (2°C)
- TXV metering devices on all models to precisely control refrigerant flow
- Large, laminated control wiring and power wiring drawings are affixed to unit to make troubleshooting easy
- Standard, medium and high static fan motor options available
- Capable of thru-the-base or thru-the-curb gas line routing
- Single point gas and electrical connections



As an Energy Star® Partner, International Comfort Products, has determined that this product meets the ENERGY STAR® guidelines for energy efficiency.



Use of the AHRI Certified TM Mark indicates a manufacturer's participation in the program. For verification of certification for individual products, go to www.ahridirectory.org.



WARRANTY

- 15 Year limited warranty on optional stainless steel heat exchanger
- 10 Year limited warranty on aluminized heat exchanger
- 5 year compressor limited warranty
- 1 year parts limited warranty

See warranty certificate for complete details

UNIT PERFORMANCE DATA									
Model Number	Dedicated Airflow	Tons	Cooling		Heating		Height x Width x Depth in (mm)	Operating Weight lbs (kg)	Notes
			Cap. BTU/h	EER	Input BTU/h	AFUE %			
RGH181HDAA0AAA	Vertical	15	174,000	12.00	220,000	81.0	49-3/8 x 86-5/8 x 127-7/8 (1253 x 2199 x 3249)	1892 (860)	
RGH181LDAA0AAA									
RGH181SDAA0AAA									
RGH181HEAA0AAA	Vertical	15	174,000	12.00	310,000	81.0	49-3/8 x 86-5/8 x 127-7/8 (1253 x 2199 x 3249)	1892 (860)	
RGH181LEAA0AAA									
RGH181SEAA0AAA									
RGH181HFAA0AAA	Vertical	15	174,000	12.00	400,000	81.0	49-3/8 x 86-5/8 x 127-7/8 (1253 x 2199 x 3249)	1892 (860)	
RGH181LFAA0AAA									
RGH181SFAA0AAA									

continued on next page

RGH (Continued)

UNIT PERFORMANCE DATA (Continued)									
Model Number	Dedicated Airflow	Tons	Cooling		Heating		Height x Width x Depth in (mm)	Operating Weight lbs (kg)	Notes
			Cap. BTU/h	EER	Input BTU/h	AFUE %			
RGH183HDAA0AAA	Horizontal	15	174,000	12.00	220,000	81.0	49-3/8 x 86-5/8 x 127-7/8 (1253 x 2199 x 3249)	1892 (860)	
RGH183LDAA0AAA									
RGH183SDAA0AAA									
RGH183HEAA0AAA	Horizontal	15	174,000	12.00	310,000	81.0	49-3/8 x 86-5/8 x 127-7/8 (1253 x 2199 x 3249)	1892 (860)	
RGH183LEAA0AAA									
RGH183SEAA0AAA									
RGH183HFAA0AAA	Horizontal	15	174,000	12.00	400,000	81.0	49-3/8 x 86-5/8 x 127-7/8 (1253 x 2199 x 3249)	1892 (860)	
RGH183LFAA0AAA									
RGH183SFAA0AAA									
RGH210HDAA0AAA	Vertical	17.5	202,000	12.00	220,000	81.0	49-3/8 x 86-5/8 x 141-1/2 (1253 x 2199 x 3594)	2102 (956)	
RGH210LDAA0AAA									
RGH210SDAA0AAA									
RGH210HEAA0AAA	Vertical	17.5	202,000	12.00	310,000	81.0	49-3/8 x 86-5/8 x 141-1/2 (1253 x 2199 x 3594)	2102 (956)	
RGH210LEAA0AAA									
RGH210SEAA0AAA									
RGH210HFAA0AAA	Vertical	17.5	202,000	12.00	400,000	81.0	49-3/8 x 86-5/8 x 141-1/2 (1253 x 2199 x 3594)	2102 (956)	
RGH210LFAA0AAA									
RGH210SFAA0AAA									
RGH213HDAA0AAA	Horizontal	17.5	202,000	12.00	220,000	81.0	49-3/8 x 86-5/8 x 141-1/2 (1253 x 2199 x 3594)	2102 (956)	
RGH213LDAA0AAA									
RGH213SDAA0AAA									
RGH213HEAA0AAA	Horizontal	17.5	202,000	12.00	310,000	81.0	49-3/8 x 86-5/8 x 141-1/2 (1253 x 2199 x 3594)	2102 (956)	
RGH213LEAA0AAA									
RGH213SEAA0AAA									
RGH213HFAA0AAA	Horizontal	17.5	202,000	12.00	400,000	81.0	49-3/8 x 86-5/8 x 141-1/2 (1253 x 2199 x 3594)	2102 (956)	
RGH213LFAA0AAA									
RGH213SFAA0AAA									
RGH240HDAA0AAA	Vertical	20	236,000	12.00	220,000	81.0	57-3/8 x 86-5/8 x 141-1/2 (1458 x 2199 x 3594)	2247 (1021)	
RGH240LDAA0AAA									
RGH240SDAA0AAA									
RGH240HEAA0AAA	Vertical	20	236,000	12.00	310,000	81.0	57-3/8 x 86-5/8 x 141-1/2 (1458 x 2199 x 3594)	2247 (1021)	
RGH240LEAA0AAA									
RGH240SEAA0AAA									
RGH240HFAA0AAA	Vertical	20	236,000	12.00	400,000	81.0	57-3/8 x 86-5/8 x 141-1/2 (1458 x 2199 x 3594)	2247 (1021)	
RGH240LFAA0AAA									
RGH240SFAA0AAA									
RGH243HDAA0AAA	Horizontal	20	236,000	12.00	220,000	81.0	57-3/8 x 86-5/8 x 141-1/2 (1458 x 2199 x 3594)	2247 (1021)	
RGH243LDAA0AAA									
RGH243SDAA0AAA									
RGH243HEAA0AAA	Horizontal	20	236,000	12.00	310,000	81.0	57-3/8 x 86-5/8 x 141-1/2 (1458 x 2199 x 3594)	2247 (1021)	
RGH243LEAA0AAA									
RGH243SEAA0AAA									
RGH243HFAA0AAA	Horizontal	20	236,000	12.00	400,000	81.0	57-3/8 x 86-5/8 x 141-1/2 (1458 x 2199 x 3594)	2247 (1021)	
RGH243LFAA0AAA									
RGH243SFAA0AAA									
RGH300HDAA0AAA	Vertical	25	282,000	11.20	220,000	81.0	57-3/8 x 86-5/8 x 157-3/4 (1456 x 2199 x 4007)	2193 (997)	
RGH300LDAA0AAA									
RGH300SDAA0AAA									
RGH300HEAA0AAA	Vertical	25	282,000	11.20	310,000	81.0	57-3/8 x 86-5/8 x 157-3/4 (1456 x 2199 x 4007)	2193 (997)	
RGH300LEAA0AAA									
RGH300SEAA0AAA									
RGH300HFAA0AAA	Vertical	25	282,000	11.20	400,000	81.0	57-3/8 x 86-5/8 x 157-3/4 (1456 x 2199 x 4007)	2193 (997)	
RGH300LFAA0AAA									
RGH300SFAA0AAA									

continued on next page

RGH (Continued)

UNIT PERFORMANCE DATA (Continued)									
Model Number	Dedicated Airflow	Tons	Cooling		Heating		Height x Width x Depth in (mm)	Operating Weight lbs (kg)	Notes
			Cap. BTU/h	EER	Input BTU/h	AFUE %			
RGH303HDAA0AAA	Horizontal	25	282,000	11.20	220,000	81.0	57-3/8 x 86-5/8 x 157-3/4 (1456 x 2199 x 4007)	2193 (997)	
RGH303LDAA0AAA									
RGH303SDAA0AAA									
RGH303HEAA0AAA	Horizontal	25	282,000	11.20	310,000	81.0	57-3/8 x 86-5/8 x 157-3/4 (1456 x 2199 x 4007)	2193 (997)	
RGH303LEAA0AAA									
RGH303SEAA0AAA									
RGH303HFAA0AAA	Horizontal	25	282,000	11.20	400,000	81.0	57-3/8 x 86-5/8 x 157-3/4 (1456 x 2199 x 4007)	2193 (997)	
RGH303LFAA0AAA									
RGH303SFAA0AAA									

PACKAGE GAS HEATING/ELECTRIC COOLING R-410A SINGLE PACKAGE ROOFTOP 3 - 15 TONS (1 & 3-Phase)

BUILT TO LAST, EASY TO INSTALL AND SERVICE

- Standard Efficiency, gas heating and electric cooling with a low profile, prewired, tested and charged at the factory
- Field Convertible from vertical to horizontal airflow on all models. No special kit required on 036-150 models. Field accessory supply duct kit required for 180 size model only.
- Full perimeter base rail with built-in rigging adapters and fork truck slots
- Pre-painted exterior panels and primer-coated interior panels tested to 500 hours salt spray protection
- Fully insulated cabinet
- Tubular-section type aluminized heat exchanger standard with optional stainless steel heat exchanger available
- Single-stage or two stage cooling capacity control
- Redundant gas valve, up to two stages of heating
- Exclusive IGC solid-state control for on-board diagnostics with LED error code designation, burner control logic and energy saving indoor fan motor delay
- High efficiency, gas heat with induced draft flue exhaust design
- Single or dual scroll compressor with internal line-break overload protection
- All units have high and low pressure switches
- Two inch disposable fiberglass type return air filters in dedicated rack with tool-less filter access door
- Refrigerant circuits contain a liquid line filter drier to trap dirt and moisture
- Indoor and outdoor coils constructed of aluminum fins mechanically bonded to seamless copper tubes
- Newly-designed indoor refrigerant header for easier maintenance and replacement
- Exclusive non-corrosive composite condensate pan in accordance with ASHRAE 62 Standard, sloping design; side or center drain
- Belt drive evaporator-fan motor and pulley combinations available to meet any application
- Access panels with easy grip handles provide quick and easy access to the blower and blower motor, control box, and compressor
- No-strip screw system has superior holding power and guides screws into position while preventing the screw from stripping the unit's metal
- Newly designed terminal board facilitates simple safety circuit troubleshooting and simplified control box arrangement
- Outdoor temperature cooling operation range up to 115°F (46°C) and down to 25°F (4°C) using winter start kit
- Fixed orifice metering devices on all models to precisely control refrigerant flow
- Large, laminated control wiring and power wiring drawings are affixed to unit to make troubleshooting easy
- Standard, medium and high static fan motor options available
- Provisions for thru-the-bottom power entry capability
- Single point gas and electrical connections
- Low NOx models include stainless steel heat exchangers



RGS036-072



RGS091-121



Use of the AHRI Certified TM Mark indicates a manufacturer's participation in the program. For verification of certification for individual products, go to www.ahridirectory.org.



WARRANTY

- 15 Year limited warranty on optional stainless steel heat exchanger
- 10 year limited warranty on aluminized heat exchanger
- 5 year compressor limited warranty
- 1 year parts limited warranty

See warranty certificate for complete details

UNIT PERFORMANCE DATA - SINGLE STAGE COOLING									
Model Number	Nominal Tons	Cooling			Heating		Height x Width x Depth in (mm)	Operating Weight lbs (kg)	Notes
		Capacity BTU/h	SEER	EER	Input BTU/h	Thermal EFF%			
RGS036KDAA0AAA	3	34,600	13.00	11.00	72,000	80-82	33-3/8 x 46-3/4 x 74-3/8 (847 x 1187 x 1888)	483 (219)	
RGS036HDAA0AAA									
RGS036LDAA0AAA									
RGS036SDAA0AAA									
RGS036KEAA0AAA	3	34,600	13.00	11.00	115,000	80-82	33-3/8 x 46-3/4 x 74-3/8 (847 x 1187 x 1888)	483 (219)	
RGS036HEAA0AAA									
RGS036LEAA0AAA									
RGS036SEAA0AAA									

continued on next page

RGS (continued)

UNIT PERFORMANCE DATA - SINGLE STAGE COOLING (Continued)									
Model Number	Nominal Tons	Cooling			Heating		Height x Width x Depth in (mm)	Operating Weight lbs (kg)	Notes
		Capacity BTU/h	SEER	EER	Input BTU/h	AFUE%			
RGS048KDAA0AAA	4	45,000	13.00	11.00	72,000	80-82	33-3/8 x 46-3/4 x 74-3/8 (847 x 1187 x 1888)	537 (244)	
RGS048HDAA0AAA									
RGS048LDAA0AAA									
RGS048SDAA0AAA									
RGS048KEAA0AAA	4	45,000	13.00	11.00	115,000	80-82	33-3/8 x 46-3/4 x 74-3/8 (847 x 1187 x 1888)	537 (244)	
RGS048HEAA0AAA									
RGS048LEAA0AAA									
RGS048SEAA0AAA									
RGS048KFAA0AAA	4	45,000	13.00	11.00	150,000	80-82	33-3/8 x 46-3/4 x 74-3/8 (847 x 1187 x 1888)	537 (244)	
RGS048HFAA0AAA									
RGS048LFAA0AAA									
RGS048SFAA0AAA									
RGS060KDAA0AAA	5	59,000	13.00	10.80	72,000	80-82	33-3/8 x 46-3/4 x 74-3/8 (847 x 1187 x 1888)	569 (258)	
RGS060HDAA0AAA									
RGS060LDAA0AAA									
RGS060SDAA0AAA									
RGS060KEAA0AAA	5	59,000	13.00	10.80	115,000	80-82	33-3/8 x 46-3/4 x 74-3/8 (847 x 1187 x 1888)	569 (258)	
RGS060HEAA0AAA									
RGS060LEAA0AAA									
RGS060SEAA0AAA									
RGS060KFAA0AAA	5	59,000	13.00	10.80	150,000	80-82	33-3/8 x 46-3/4 x 74-3/8 (847 x 1187 x 1888)	569 (258)	
RGS060HFAA0AAA									
RGS060LFAA0AAA									
RGS060SFAA0AAA									
RGS072HDAA0AAA	6	70,000	N/A	11.00	72,000	80-82	41-3/8 x 46-3/4 x 74-3/8 (1051 x 1187 x 1888)	652 (296)	
RGS072LDAA0AAA									
RGS072SDAA0AAA									
RGS072HEAA0AAA									
RGS072LEAA0AAA	6	70,000	N/A	11.00	115,000	80-82	41-3/8 x 46-3/4 x 74-3/8 (1051 x 1187 x 1888)	652 (296)	
RGS072SEAA0AAA									
RGS072HFAA0AAA									
RGS072LFAA0AAA									
RGS072SFAA0AAA	6	70,000	N/A	11.00	150,000	80-82	41-3/8 x 46-3/4 x 74-3/8 (1051 x 1187 x 1888)	652 (296)	
RGS091HDAA0AAA									
RGS091LDAA0AAA									
RGS091SDAA0AAA									
RGS091HEAA0AAA	7.5	88,000	N/A	11.00	125,000	80-82	41-1/4 x 59-1/2 x 88-1/8 (1048 x 1510 x 2238)	810 (367)	
RGS091LEAA0AAA									
RGS091SEAA0AAA									
RGS091HFAA0AAA									
RGS091LFAA0AAA	7.5	88,000	N/A	11.00	224,000	80-82	41-1/4 x 59-1/2 x 88-1/8 (1048 x 1510 x 2238)	810 (367)	
RGS091SFAA0AAA									
RGS101HDAA0AAA									
RGS101LDAA0AAA									
RGS101SDAA0AAA	8.5	97,000	N/A	11.00	125,000	80-82	49-3/8 x 59-1/2 x 88-1/8 (1253 x 1510 x 2238)	910 (413)	
RGS101HEAA0AAA									
RGS101LEAA0AAA									
RGS101SEAA0AAA									
RGS101HFAA0AAA	8.5	97,000	N/A	11.00	224,000	80-82	49-3/8 x 59-1/2 x 88-1/8 (1253 x 1510 x 2238)	910 (413)	
RGS101LFAA0AAA									
RGS101SFAA0AAA									
RGS101SFAA0AAA									

continued on next page

RGS (continued)

UNIT PERFORMANCE DATA - SINGLE STAGE COOLING (Continued)									
Model Number	Nominal Tons	Cooling			Heating		Height x Width x Depth in (mm)	Operating Weight lbs (kg)	Notes
		Capacity BTU/h	SEER	EER	Input BTU/h	Thermal Eff.%			
RGS121HDAA0AAA	10	117,000	N/A	11.00	180,000	80-82	49-3/8 x 59-1/2 x 88-1/8 (1253 x 1510 x 2238)	965 (438)	
RGS121LDAA0AAA									
RGS121SDAA0AAA									
RGS121HEAA0AAA	10	117,000	N/A	11.00	224,000	80-82	49-3/8 x 59-1/2 x 88-1/8 (1253 x 1510 x 2238)	965 (438)	
RGS121LEAA0AAA									
RGS121SEAA0AAA									
RGS121HFAA0AAA	10	117,000	N/A	11.00	250,000	80-82	49-3/8 x 59-1/2 x 88-1/8 (1253 x 1510 x 2238)	965 (438)	
RGS121LFAA0AAA									
RGS121SFAA0AAA									
UNIT PERFORMANCE DATA - TWO STAGE COOLING									
RGS090HDAA0AAA	7.5	83,000	N/A	11.00	125,000	80-82	41-1/4 x 59-1/2 x 88-1/8 (1048 x 1510 x 2238)	810 (367)	
RGS090LDAA0AAA									
RGS090SDAA0AAA									
RGS090HEAA0AAA	7.5	83,000	N/A	11.00	180,000	80-82	41-1/4 x 59-1/2 x 88-1/8 (1048 x 1510 x 2238)	810 (367)	
RGS090LEAA0AAA									
RGS090SEAA0AAA									
RGS090HFAA0AAA	7.5	83,000	N/A	11.00	224,000	80-82	41-1/4 x 59-1/2 x 88-1/8 (1048 x 1510 x 2238)	810 (367)	
RGS090LFAA0AAA									
RGS090SFAA0AAA									
RGS102HDAA0AAA	8.5	97,000	N/A	11.00	125,000	80-82	49-3/8 x 59-1/2 x 88-1/8 (1253 x 1510 x 2238)	910 (413)	
RGS102LDAA0AAA									
RGS102SDAA0AAA									
RGS102HEAA0AAA	8.5	97,000	N/A	11.00	180,000	80-82	49-3/8 x 59-1/2 x 88-1/8 (1253 x 1510 x 2238)	910 (413)	
RGS102LEAA0AAA									
RGS102SEAA0AAA									
RGS102HFAA0AAA	8.5	97,000	N/A	11.00	224,000	80-82	49-3/8 x 59-1/2 x 88-1/8 (1253 x 1510 x 2238)	910 (413)	
RGS102LFAA0AAA									
RGS102SFAA0AAA									
RGS120HDAA0AAA	10	117,000	N/A	11.00	180,000	80-82	49-3/8 x 59-1/2 x 88-1/8 (1253 x 1510 x 2238)	965 (438)	
RGS120LDAA0AAA									
RGS120SDAA0AAA									
RGS120HEAA0AAA	10	117,000	N/A	11.00	224,000	80-82	49-3/8 x 59-1/2 x 88-1/8 (1253 x 1510 x 2238)	965 (438)	
RGS120LEAA0AAA									
RGS120SEAA0AAA									
RGS120HFAA0AAA	10	117,000	N/A	11.00	250,000	80-82	49-3/8 x 59-1/2 x 88-1/8 (1253 x 1510 x 2238)	965 (438)	
RGS120LFAA0AAA									
RGS120SFAA0AAA									
RGS150HDAA0AAA	12.5	140,000	N/A	10.80	180,000	80-82	49-3/8 x 59-1/2 x 88-1/8 (1253 x 1510 x 2238)	1116 (506)	
RGS150LDAA0AAA									
RGS150SDAA0AAA									
RGS150HEAA0AAA	12.5	140,000	N/A	10.80	224,000	80-82	49-3/8 x 59-1/2 x 88-1/8 (1253 x 1510 x 2238)	1116 (506)	
RGS150LEAA0AAA									
RGS150SEAA0AAA									
RGS150HFAA0AAA	12.5	140,000	N/A	10.80	250,000	80-82	49-3/8 x 59-1/2 x 88-1/8 (1253 x 1510 x 2238)	1116 (506)	
RGS150LFAA0AAA									
RGS150SFAA0AAA									
RGS180HDAA0AAA	15	174,000	N/A	10.80	180,000	80-82	57-3/8 x 63-3/8 x 115-7/8 (1456 x 1609 x 2942)	1380 (627)	
RGS180LDAA0AAA									
RGS180SDAA0AAA									
RGS180HEAA0AAA	15	174,000	N/A	10.80	240,000	80-82	57-3/8 x 63-3/8 x 115-7/8 (1456 x 1609 x 2942)	1380 (627)	
RGS180LEAA0AAA									
RGS180SEAA0AAA									
RGS180HFAA0AAA	15	174,000	N/A	10.80	350,000	80-82	57-3/8 x 63-3/8 x 115-7/8 (1456 x 1609 x 2942)	1380 (627)	
RGS180LFAA0AAA									
RGS180SFAA0AAA									

continued on next page

RGS (continued)

UNIT PERFORMANCE DATA FOR LOW NO_x MODELS

Model Number	Nominal Tons	Cooling			Heating		Height x Width x Depth in (mm)	Operating Weight lbs (kg)	Notes
		Capacity BTU/h	SEER	EER	Input BTU/h	Thermal Eff. %			
RGS036KLAA0AAA	3	34,600	13.00	11.00	72,000	80-82	33-3/8 x 46-3/4 x 74-3/8 (847 x 1187 x 1888)	483 (219)	
RGS036HLAA0AAA									
RGS036LLAA0AAA									
RGS036SLAA0AAA									
RGS036KMAA0AAA	3	34,600	13.00	11.00	115,000	80-82	33-3/8 x 46-3/4 x 74-3/8 (847 x 1187 x 1888)	483 (219)	
RGS036HMAA0AAA									
RGS036LMAA0AAA									
RGS036SMAA0AAA									
RGS048KLAA0AAA	4	45,000	13.00	11.00	72,000	80-82	33-3/8 x 46-3/4 x 74-3/8 (847 x 1187 x 1888)	537 (244)	
RGS048HLAA0AAA									
RGS048LLAA0AAA									
RGS048SLAA0AAA									
RGS048KMAA0AAA	4	45,000	13.00	11.00	115,000	80-82	33-3/8 x 46-3/4 x 74-3/8 (847 x 1187 x 1888)	537 (244)	
RGS048HMAA0AAA									
RGS048LMAA0AAA									
RGS048SMAA0AAA									
RGS048KNAA0AAA	4	45,000	13.00	11.00	150,000	80-82	33-3/8 x 46-3/4 x 74-3/8 (847 x 1187 x 1888)	537 (244)	
RGS048HNAA0AAA									
RGS048LNAA0AAA									
RGS048SNAA0AAA									
RGS060KLAA0AAA	5	59,000	13.00	10.80	72,000	80-82	33-3/8 x 46-3/4 x 74-3/8 (847 x 1187 x 1888)	569 (258)	
RGS060HLAA0AAA									
RGS060LLAA0AAA									
RGS060SLAA0AAA									
RGS060KMAA0AAA	5	59,000	13.00	10.80	115,000	80-82	33-3/8 x 46-3/4 x 74-3/8 (847 x 1187 x 1888)	569 (258)	
RGS060HMAA0AAA									
RGS060LMAA0AAA									
RGS060SMAA0AAA									
RGS060KNAA0AAA	5	59,000	13.00	10.80	150,000	80-82	33-3/8 x 46-3/4 x 74-3/8 (847 x 1187 x 1888)	569 (258)	
RGS060HNAA0AAA									
RGS060LNAA0AAA									
RGS060SNAA0AAA									

ASHRAE 90.1 COMPLIANT PACKAGE GAS HEATING/ELECTRIC COOLING R-410A SINGLE PACKAGE ROOFTOP 17.5 - 27.5 TONS

BUILT TO LAST, EASY TO INSTALL AND SERVICE

- One-piece, standard efficiency, gas heating and electric cooling with a low profile, prewired, tested and charged at the factory
- Dedicated vertical or horizontal air flow duct configuration models; no field kits required
- Full perimeter base rail with built-in rigging adapters and fork truck slots
- Pre-painted exterior panels and primer-coated interior panels tested to 500 hours salt spray protection
- Fully insulated cabinet
- Two-stage cooling with independent circuits and control on all models
- Redundant gas valve for two stage gas heating capacity control
- Exclusive IGC solid-state control for on-board diagnostics with LED error code designation, burner control logic and energy saving indoor fan motor delay
- High efficiency, gas heat with induced draft flue exhaust design
- Scroll compressors with internal line-break on all models
- All units have high and low pressure switches
- Two inch disposable fiberglass type return air filters in dedicated rack with tool-less filter access door
- Refrigerant circuits contain a liquid line filter drier to trap dirt and moisture
- Round Tube plate fin evaporator and condenser coil design
- Exclusive non-corrosive composite condensate pan in accordance with ASHRAE 62 Standard, sloping design; end drain
- Belt drive evaporator-fan motor and pulley combinations available to meet any application
- Access panels with easy grip handles provide quick and easy access to the blower and blower motor, control box, and compressor
- No-strip screw system has superior holding power and guides screws into position while preventing the screw from stripping the unit's metal
- Newly designed terminal board facilitates simple safety circuit troubleshooting and simplified control box arrangement
- Standard outdoor temperature cooling operation range up to 115°F (46°C) and down to 30°F (-1°C)
- Fixed orifice metering devices on all models to precisely control refrigerant flow
- Large, laminated control wiring and power wiring drawings are affixed to unit to make troubleshooting easy
- Single point gas and electrical connections



WARRANTY

- 15 Year limited warranty on optional stainless steel heat exchanger
- 10 Year limited warranty on aluminized heat exchanger
- 5 year compressor limited warranty
- 1 year parts limited warranty

See warranty certificate for complete details



Use of the AHRI Certified TM Mark indicates a manufacturer's participation in the program. For verification of certification for individual products, go to www.ahridirectory.org.



UNIT PERFORMANCE DATA									
Model Number	Dedicated Airflow	Tons	Cooling		Heating		Height x Width x Depth in (mm)	Operating Weight lbs (kg)	Notes
			Cap. BTU/h	EER	Input BTU/h	AFUE%			
RGS210HDAA0AAA	Vertical	17.5	207,000	10.80	220,000	81	49-3/8 x 86-5/8 x 127-7/8 (1253 x 2199 x 3249)	1948 (884)	
RGS210LDAA0AAA									
RGS210SDAA0AAA									
RGS210HEAA0AAA	Vertical	17.5	207,000	10.80	310,000	81	49-3/8 x 86-5/8 x 127-7/8 (1253 x 2199 x 3249)	1948 (884)	
RGS210LEAA0AAA									
RGS210SEAA0AAA									
RGS210HFAA0AAA	Vertical	17.5	207,000	10.80	400,000	81	49-3/8 x 86-5/8 x 127-7/8 (1253 x 2199 x 3249)	1948 (884)	
RGS210LFAA0AAA									
RGS210SFAA0AAA									
RGS213HDAA0AAA	Horizontal	17.5	207,000	10.80	220,000	81	49-3/8 x 86-5/8 x 127-7/8 (1253 x 2199 x 3249)	1948 (884)	
RGS213LDAA0AAA									
RGS213SDAA0AAA									

continued on next page

RGS (continued)

UNIT PERFORMANCE DATA (Continued)									
Model Number	Dedicated Airflow	Tons	Cooling		Heating		Height x Width x Depth in (mm)	Operating Weight lbs (kg)	Notes
			Cap. BTU/h	EER	Input BTU/h	AFUE%			
RGS213HEAA0AAA	Horizontal	17.5	207,000	10.80	310,000	81	49-3/8 x 86-5/8 x 127-7/8 (1253 x 2199 x 3249)	1948 (884)	
RGS213LEAA0AAA									
RGS213SEAA0AAA									
RGS213HFAA0AAA	Horizontal	17.5	207,000	10.80	400,000	81	49-3/8 x 86-5/8 x 127-7/8 (1253 x 2199 x 3249)	1948 (884)	
RGS213LFAA0AAA									
RGS213SFAA0AAA									
RGS240HDAA0AAA	Vertical	20	242,000	9.80	220,000	81.0	49-3/8 x 86-5/8 x 141-1/2 (1253 x 2199 x 3595)	2098 (952)	
RGS240LDAA0AAA									
RGS240SDAA0AAA									
RGS240HEAA0AAA	Vertical	20	242,000	9.80	310,000	81.0	49-3/8 x 86-5/8 x 141-1/2 (1253 x 2199 x 3595)	2098 (952)	
RGS240LEAA0AAA									
RGS240SEAA0AAA									
RGS240HFAA0AAA	Vertical	20	242,000	9.80	400,000	81.0	49-3/8 x 86-5/8 x 141-1/2 (1253 x 2199 x 3595)	2098 (952)	
RGS240LFAA0AAA									
RGS240SFAA0AAA									
RGS243HDAA0AAA	Horizontal	20	242,000	9.80	220,000	81.0	49-3/8 x 86-5/8 x 141-1/2 (1253 x 2199 x 3595)	2098 (952)	
RGS243LDAA0AAA									
RGS243SDAA0AAA									
RGS243HEAA0AAA	Horizontal	20	242,000	9.80	310,000	81.0	49-3/8 x 86-5/8 x 141-1/2 (1253 x 2199 x 3595)	2098 (952)	
RGS243LEAA0AAA									
RGS243SEAA0AAA									
RGS243HFAA0AAA	Horizontal	20	242,000	9.80	400,000	81.0	49-3/8 x 86-5/8 x 141-1/2 (1253 x 2199 x 3595)	2098 (952)	
RGS243LFAA0AAA									
RGS243SFAA0AAA									
RGS300HDAA0AAA	Vertical	25	280,000	9.80	220,000	81.0	57-3/8 x 86-5/8 x 141-1/2 (1456 x 2199 x 3595)	2234 (1013)	
RGS300LDAA0AAA									
RGS300SDAA0AAA									
RGS300HEAA0AAA	Vertical	25	280,000	9.80	310,000	81.0	57-3/8 x 86-5/8 x 141-1/2 (1456 x 2199 x 3595)	2234 (1013)	
RGS300LEAA0AAA									
RGS300SEAA0AAA									
RGS300HFAA0AAA	Vertical	25	280,000	9.80	400,000	81.0	57-3/8 x 86-5/8 x 141-1/2 (1456 x 2199 x 3595)	2234 (1013)	
RGS300LFAA0AAA									
RGS300SFAA0AAA									
RGS303HDAA0AAA	Horizontal	25	280,000	9.80	220,000	81.0	57-3/8 x 86-5/8 x 141-1/2 (1456 x 2199 x 3595)	2234 (1013)	
RGS303LDAA0AAA									
RGS303SDAA0AAA									
RGS303HEAA0AAA	Horizontal	25	280,000	9.80	310,000	81.0	57-3/8 x 86-5/8 x 141-1/2 (1456 x 2199 x 3595)	2234 (1013)	
RGS303LEAA0AAA									
RGS303SEAA0AAA									
RGS303HFAA0AAA	Horizontal	25	280,000	9.80	400,000	81.0	57-3/8 x 86-5/8 x 141-1/2 (1456 x 2199 x 3595)	2234 (1013)	
RGS303LFAA0AAA									
RGS303SFAA0AAA									
RGS336HDAA0AAA	Vertical	27.5	330,000	10.20	220,000	81.0	57-3/8 x 86-5/8 x 157-3/4 (1456 x 2199 x 4007)	2668 (1210)	
RGS336LDAA0AAA									
RGS336SDAA0AAA									
RGS336HEAA0AAA	Vertical	27.5	330,000	10.20	310,000	81.0	57-3/8 x 86-5/8 x 157-3/4 (1456 x 2199 x 4007)	2668 (1210)	
RGS336LEAA0AAA									
RGS336SEAA0AAA									
RGS336HFAA0AAA	Vertical	27.5	330,000	10.20	400,000	81.0	57-3/8 x 86-5/8 x 157-3/4 (1456 x 2199 x 4007)	2668 (1210)	
RGS336LFAA0AAA									
RGS336SFAA0AAA									
RGS333HDAA0AAA	Horizontal	27.5	330,000	10.20	220,000	81.0	57-3/8 x 86-5/8 x 157-3/4 (1456 x 2199 x 4007)	2668 (1210)	
RGS333LDAA0AAA									
RGS333SDAA0AAA									
RGS333HEAA0AAA	Horizontal	27.5	330,000	10.20	310,000	81.0	57-3/8 x 86-5/8 x 157-3/4 (1456 x 2199 x 4007)	2668 (1210)	
RGS333LEAA0AAA									
RGS333SEAA0AAA									
RGS333HFAA0AAA	Horizontal	27.5	330,000	10.20	400,000	81.0	57-3/8 x 86-5/8 x 157-3/4 (1456 x 2199 x 4007)	2668 (1210)	
RGS333LFAA0AAA									
RGS333SFAA0AAA									

HIGH EFFICIENCY PACKAGE ELECTRIC COOLING R-410A SINGLE PACKAGE ROOFTOP 3 -12.5 TONS (1 & 3 Phase)

BUILT TO LAST, EASY TO INSTALL AND SERVICE

- One-piece, high efficiency electric cooling with a low profile, prewired, tested and charged at the factory
- Field convertible from vertical to horizontal airflow on all models. No special kit required on 036-120 models. (Field accessory supply duct kit required for 150 size model only)
- Full perimeter base rail with built-in rigging adapters and fork truck slots
- Pre-painted exterior panels and primer-coated interior panels tested to 500 hours salt spray protection
- Fully insulated cabinet
- Single-stage cooling capacity control on 036-072 models, two-stage on 090-150 models
- Single scroll compressor on 036-072 models, dual scroll compressors on 090 -150 models with internal line-break overload protection
- All units have high and low pressure switches
- Two inch disposable fiberglass type return air filters in dedicated rack with tool-less filter access door
- Refrigerant circuits contain a liquid line filter drier to trap dirt and moisture
- Indoor and outdoor coils constructed of aluminum fins mechanically bonded to seamless copper tubes
- Newly-designed indoor refrigerant header for easier maintenance and replacement
- Exclusive non-corrosive composite condensate pan in accordance with ASHRAE 62 Standard, sloping design; side or center drain
- Direct drive high efficiency ECM blower motors on 036-060 single phase models
- Belt drive evaporator-fan motor and pulley combinations available to meet any application
- Access panels with easy grip handles provide quick and easy access to the blower and blower motor, control box, and compressor
- “No-strip” screw system has superior holding power and guides screws into position while preventing the screw from stripping the unit’s metal
- Newly designed terminal board facilitates simple safety circuit troubleshooting and simplified control box arrangement
- Outdoor temperature cooling operation range up to 125°F (52°C) and down to 35°F (-2°C) using winter start kit
- TXV refrigerant metering device on each circuit to precisely control refrigerant flow
- Large, laminated control wiring and power wiring drawings are affixed to unit to make troubleshooting easy
- Standard, medium and high static fan motor options available
- Provisions for thru-the-bottom power entry capability
- Single point electrical connections



RAH036 - 060



RAH072 - 120



As an Energy Star® Partner, International Comfort Products, has determined that this product meets the ENERGY STAR® guidelines for energy efficiency.



Use of the AHRI Certified TM Mark indicates a manufacturer's participation in the program. For verification of certification for individual products, go to www.ahridirectory.org.



WARRANTY

- 5 year compressor limited warranty
 - 1 year parts limited warranty
- See warranty certificate for complete details

UNIT PERFORMANCE DATA - Single Stage Cooling

Model Number	Nominal Tons	Cooling			Height x Width x Depth in (mm)	Unit Weight Lbs(kg)	Notes
		Capacity BTU/h	SEER	EER			
RAH036K0XA0AAA	3	36,000	15.00	12.5	33-3/8 x 46-3/4 x 74-3/8 (847 x 1187 x 1888)	458 (208)	
RAH036H0XA0AAA							
RAH036L0XA0AAA							
RAH036S0XA0AAA							
RAH048K0XA0AAA	4	48,500	15.60	13.0	41-3/8 x 46-3/4 x 74-3/8 (1051 x 1187 x 1888)	545 (207)	
RAH048H0XA0AAA							
RAH048L0XA0AAA							
RAH048S0XA0AAA							
RAH060K0XA0AAA	5	57,500	15.20	12.5	41-3/8 x 46-3/4 x 74-3/8 (1051 x 1187 x 1888)	550 (249)	
RAH060H0XA0AAA							
RAH060L0XA0AAA							
RAH060S0XA0AAA							
RAH072H0AA0AAA	6	73,000	N/A	12.2	41-1/4 x 59-1/2 x 88-1/8 (1048 x 1510 x 2238)	715 (324)	
RAH072L0AA0AAA							
RAH072S0AA0AAA							

continued on next page

RAH (continued)

UNIT PERFORMANCE DATA - Dual Stage Cooling

Model Number	Nominal Tons	Cooling			Height x Width x Depth in (mm)	Unit Weight Lbs(kg)	Notes
		Capacity BTU/h	SEER	EER			
RAH090H0AA0AAA	7.5	89,000	N/A	12.2	49-3/8x 59-1/2 x 88-1/8 (1243 x 1510 x 2238)	860 (390)	
RAH090L0AA0AAA							
RAH090S0AA0AAA							
RAH102H0AA0AAA	8.5	97,000	N/A	12.2	49-3/8x 59-1/2 x 88-1/8 (1243 x 1510 x 2238)	860 (390)	
RAH102L0AA0AAA							
RAH102S0AA0AAA							
RAH110H0AA0AAA	10	111,000	N/A	12.0	49-3/8x 59-1/2 x 88-1/8 (1243 x 1510 x 2238)	1025 (465)	
RAH110L0AA0AAA							
RAH110S0AA0AAA							
RAH120H0AA0AAA	10	115,000	N/A	11.7	49-3/8x 59-1/2 x 88-1/8 (1243 x 1510 x 2238)	1025 (465)	
RAH120L0AA0AAA							
RAH120S0AA0AAA							
RAH150H0AA0AAA	12.5	146,000	N/A	12.4	57-3/8x 63-3/8 x 115-7/8 (1456 x 1609 x 2942)	1360 (617)	
RAH150L0AA0AAA							
RAH150S0AA0AAA							

HIGH EFFICIENCY PACKAGE ELECTRIC COOLING R-410A SINGLE PACKAGE ROOFTOP 15 - 25 TONS BUILT TO LAST, EASY TO INSTALL AND SERVICE

- One-piece, electric cooling with a low profile, prewired, tested and charged at the factory
- Dedicated vertical or horizontal air flow duct configuration models; no field kits required
- Full perimeter base rail with built-in rigging adapters and fork truck slots
- Pre-painted exterior panels and primer-coated interior panels tested to 500 hours salt spray protection
- Fully insulated cabinet
- Two stage cooling with independent circuit and control on all models
- Scroll compressors on all models
- All units have high and low pressure switches
- Two inch disposable fiberglass type return air filters in dedicated rack with tool-less filter access door
- Refrigerant circuits contain a liquid line filter drier to trap dirt and moisture
- Indoor and outdoor coils constructed of aluminum fins mechanically bonded to seamless copper tubes
- Exclusive non-corrosive composite condensate pan in accordance with ASHRAE 62 Standard, sloping design; end drain
- Belt drive evaporator-fan motor and pulley combinations available to meet most applications
- Access panels with easy grip handles provide quick and easy access to the blower and blower motor, control box and compressors
- "No-strip" screw system has superior holding power and guides screws into position while preventing the screw from stripping the unit's metal
- Newly-designed terminal board facilitates simple safe circuit troubleshooting and simplified control box arrangement
- Standard outdoor temperature cooling operation range up to 125°F (52°C) and down to 35°F (2°C)
- Newly-designed indoor refrigerant header for easier maintenance and replacement
- TXV metering devices on all models to precisely control refrigerant flow
- Large, laminated control wiring and power wiring drawings are affixed to unit to make troubleshooting easy
- Standard, medium and high static fan motor options available
- Full range of electric heaters and single point electrical connections



15 Ton

WARRANTY

- 5 year compressor limited warranty
 - 1 year parts limited warranty
- See warranty certificate for complete details



Use of the AHRI Certified TM Mark indicates a manufacturer's participation in the program. For verification of certification for individual products, go to www.ahridirectory.org.



As an Energy Star® Partner, International Comfort Products, has determined that this product meets the ENERGY STAR® guidelines for energy efficiency.



UNIT PERFORMANCE DATA - Two Stage Cooling									
Model Number	Dedicated Airflow	Nominal Tons	Cooling		Total kW	IEER	Unit Dimensions H x W x L inches (mm)	Unit Weight Lbs (kg)	Notes
			Net Cap (Btuh)	EER					
RAH181H0AA0AAA	Vertical	15	174,000	12.2	14.3	13.2	49-3/8 x 86-3/8 x 127-7/8 (1253 x 2199 x 3249)	1793 (815)	
RAH181L0AA0AAA									
RAH181S0AA0AAA									
RAH183H0AA0AAA	Horizontal	15	174,000	12.2	14.3	13.2	49-3/8 x 86-3/8 x 127-7/8 (1253 x 2199 x 3249)	1793 (815)	
RAH183L0AA0AAA									
RAH183S0AA0AAA									
RAH210H0AA0AAA	Vertical	17.5	202,000	12.2	16.6	13.2	49-3/8 x 86-3/8 x 141-1/2 (1253 x 2199 x 3595)	2003 (911)	
RAH210L0AA0AAA									
RAH210S0AA0AAA									

continued on next page

RAH (Continued)

UNIT PERFORMANCE DATA - Two Stage Cooling

Model Number	Dedicated Airflow	Nominal Tons	Cooling		Total kW	IEER	Unit Dimensions H x W x L inches (mm)	Unit Weight Lbs(kg)	Notes
			Net Cap (Btuh)	EER					
RAH213H0AA0AAA	Horizontal	17.5	202,000	12.2	16.6	13.2	49-3/8 x 86-3/8 x 141-1/2 (1253 x 2199 x 3595)	2003 (911)	
RAH213L0AA0AAA									
RAH213S0AA0AAA									
RAH240H0AA0AAA	Vertical	20	236,000	12.2	19.3	13.4	57-3/8 x 86-3/8 x 141-1/2 (1456 x 2199 x 3595)	2148 (976)	
RAH240L0AA0AAA									
RAH240S0AA0AAA									
RAH243H0AA0AAA	Horizontal	20	236,000	12.2	19.3	13.4	57-3/8 x 86-3/8 x 141-1/2 (1456 x 2199 x 3595)	2148 (976)	
RAH243L0AA0AAA									
RAH243S0AA0AAA									
RAH300H0AA0AAA	Vertical	25	282,000	11.4	25.2	12.2	57-3/8 x 86-3/8 x 157-3/4 1456 x x 2199 x 4007	2193 (997)	
RAH300L0AA0AAA									
RAH300S0AA0AAA									
RAH303H0AA0AAA	Horizontal	25	282,000	11.4	25.2	12.2	57-3/8 x 86-3/8 x 157-3/4 1456 x x 2199 x 4007	2193 (997)	
RAH303L0AA0AAA									
RAH303S0AA0AAA									

ASHRAE 90.1 COMPLIANT ELECTRIC COOLING, R-410A SINGLE PACKAGE ROOFTOP 3 - 15 TONS (1 & 3 Phase)

BUILT TO LAST, EASY TO INSTALL AND SERVICE

- One-piece, electric cooling with low profile, prewired, tested and charged at the factory
- Field Convertible from vertical to horizontal airflow on all models. No special kit required on 036-150 models. Field accessory supply duct kit required for 180 size model only.
- Full perimeter base rail with built-in rigging adapters and fork truck slots
- Pre-painted exterior panels and primer-coated interior panels tested to 500 hours salt spray protection
- Fully insulated cabinet
- Single-stage or two stage cooling capacity control
- Single scroll or dual scroll compressor with internal line-break overload protection
- All units have high and low pressure switches
- Two inch disposable fiberglass type return air filters in dedicated rack with tool-less filter access door
- Refrigerant circuits contain a liquid line filter drier to trap dirt and moisture
- Indoor and outdoor coils constructed of aluminum fins mechanically bonded to seamless copper tubes
- Newly-designed indoor refrigerant header for easier maintenance and replacement
- Exclusive non-corrosive composite condensate pan in accordance with ASHRAE 62 Standard, sloping design; side or center drain
- Belt drive evaporator-fan motor and pulley combinations available to meet any application
- Access panels with easy grip handles provide quick and easy access to the blower and blower motor, control box, and compressor
- “No-strip” screw system has superior holding power and guides screws into position while preventing the screw from stripping the unit’s metal
- Newly designed terminal board facilitates simple safety circuit troubleshooting and simplified control box arrangement
- Outdoor temperature cooling operation range up to 115°F (46°C) and down to 25°F (-4°C) using winter start kit
- Fixed orifice metering devices on all models to precisely control refrigerant flow
- Large, laminated control wiring and power wiring drawings are affixed to unit to make troubleshooting easy
- Standard, medium and high static fan motor options available
- Provisions for thru-the-bottom power entry capability
- Single point electrical connections



RAS036 - 072



RAS090 - 121

WARRANTY

- 5 year compressor limited warranty
 - 1 year parts limited warranty
- See warranty certificate for complete details



Use of the AHRI Certified TM Mark indicates a manufacturer's participation in the program. For verification of certification for individual products, go to www.ahridirectory.org.



UNIT PERFORMANCE DATA - Single Stage Cooling							
Model Number	Nominal Tons	Cooling			Height x Width x Depth in (mm)	Unit Weight Lbs (kg)	Notes
		Capacity BTU/h	SEER	EER			
RAS036K0AA0AAA	3	34,600	13.00	11.0	33-3/8 x 46-3/4 x 74-3/8 (847 x 1187 x 1888)	438 (199)	
RAS036H0AA0AAA							
RAS036L0AA0AAA							
RAS036S0AA0AAA							
RAS048K0AA0AAA	4	45,000	13.00	11.0	33-3/8 x 46-3/4 x 74-3/8 (847 x 1187 x 1888)	494 (244)	
RAS048H0AA0AAA							
RAS048L0AA0AAA							
RAS048S0AA0AAA							
RAS060K0AA0AAA	5	59,000	13.00	10.8	33-3/8 x 46-3/4 x 74-3/8 (847 x 1187 x 1888)	524 (238)	
RAS060H0AA0AAA							
RAS060L0AA0AAA							
RAS060S0AA0AAA							
RAS072H0AA0AAA	6	70,000	N/A	11.2	41-3/8 x 46-3/4 x 74-3/8 (1051 x 1187 x 1888)	607 (275)	
RAS072L0AA0AAA							
RAS072S0AA0AAA							

continued on next page

RAS (continued)

UNIT PERFORMANCE DATA - Single Stage Cooling (Continued)

Model Number	Nominal Tons	Cooling			Height x Width x Depth in (mm)	Unit Weight Lbs (kg)	Notes
		Capacity BTU/h	SEER	EER			
RAS091H0AA0AAA	7.5	88,000	N/A	11.2	41-3/8 x 59-1/2 x 88-1/8 (1051 x 1510 x 2238)	705 (320)	
RAS091L0AA0AAA							
RAS091S0AA0AAA							
RAS101H0AA0AAA	8.5	97,000	N/A	11.2	49-3/8 x 59-1/2 x 88-1/8 (1253 x 1510 x 2238)	945 (384)	
RAS101L0AA0AAA							
RAS101S0AA0AAA							
RAS121H0AA0AAA	10	117,000	N/A	11.2	49-3/8 x 59-1/2 x 88-1/8 (1253 x 1510 x 2238)	855 (388)	
RAS121L0AA0AAA							
RAS121S0AA0AAA							

UNIT PERFORMANCE DATA - Dual Stage Cooling

RAS090H0AA0AAA	7.5	83,000	N/A	11.2	41-3/8 x 59-1/2 x 88-1/8 1051 x 1510 x 2238	760 (345)	
RAS090L0AA0AAA							
RAS090S0AA0AAA							
RAS102H0AA0AAA	8.5	99,000	N/A	11.2	49-3/8 x 59-1/2 x 88-1/8 1253 x 1510 x 2238	855 (388)	
RAS102L0AA0AAA							
RAS102S0AA0AAA							
RAS120H0AA0AAA	10	114,000	N/A	11.3	49-3/8 x 59-1/2 x 88-1/8 1253 x 1510 x 2238	865 (393)	
RAS120L0AA0AAA							
RAS120S0AA0AAA							
RAS150H0AA0AAA	12.5	140,000	N/A	11.0	49-3/8 x 59-1/2 x 88-1/8 1253 x 1510 x 2238	1070 (489)	
RAS150L0AA0AAA							
RAS150S0AA0AAA							
RAS180H0AA0AAA	15.0	174,000	N/A	11.0	57-3/8 x 63-3/8 x 115-7/8 (1456 x 1609 x 2942)	1305 (593)	
RAS180L0AA0AAA							
RAS180S0AA0AAA							

ASHRAE 90.1 COMPLIANT PACKAGE ELECTRIC COOLING R-410A SINGLE PACKAGE ROOFTOP 17.5 - 25 TONS BUILT TO LAST, EASY TO INSTALL AND SERVICE

- One-piece, electric cooling with a low profile, prewired, tested and charged at the factory
- Dedicated vertical or horizontal air flow duct configuration models; no field kits required
- Full perimeter base rail with built-in rigging adapters and fork truck slots
- Pre-painted exterior panels and primer-coated interior panels tested to 500 hours salt spray protection
- Fully insulated cabinet
- Two stage cooling with independent circuit and control on all models
- Scroll compressors with internal line-break on all models
- All units have high and low pressure switches
- Two inch disposable fiberglass type return air filters in dedicated rack with tool-less filter access door
- Refrigerant circuits contain a liquid line filter drier to trap dirt and moisture
- Round Tube plate fin evaporator and condenser coil design
- Newly-designed indoor refrigerant header for easier maintenance and replacement
- Exclusive non-corrosive composite condensate pan in accordance with ASHRAE 62 Standard, sloping design; end drain
- Belt drive evaporator-fan motor and pulley combinations available to meet most applications
- Access panels with easy grip handles provide quick and easy access to the blower and blower motor, control box and compressors
- "No-strip" screw system has superior holding power and guides screws into position while preventing the screw from stripping the unit's metal
- Newly-designed terminal board facilitates simple safe circuit troubleshooting and simplified control box arrangement
- Standard outdoor temperature cooling operation range up to 115°F (46°C) and down to 30°F (-1°C)
- Fixed orifice metering devices on all models to precisely control refrigerant flow
- Large, laminated control wiring and power wiring drawings are affixed to unit to make troubleshooting easy
- Standard, medium and high static fan motor options available
- Single point electrical connections



WARRANTY

- 5 year compressor limited warranty
 - 1 year parts limited warranty
- See warranty certificate for complete details



Use of the AHRI Certified TM Mark indicates a manufacturer's participation in the program. For verification of certification for individual products, go to www.ahridirectory.org.



UNIT PERFORMANCE DATA - Two Stage Cooling

Model Number	Dedicated Airflow	Nominal Tons	Cooling		Total kW	IPLV	Unit Dimensions H x W x L inches (mm)	Unit Weight Lbs (kg)	Notes
			Net Cap (Btuh)	EER					
RAS210H0AA0AAA	Vertical	17.5	208,000	11.0	18.9	12.0	49-3/8 x 86-5/8 x 127-7/8 (1253 x 2199 x 3249)	2159 (979)	
RAS210L0AA0AAA									
RAS210S0AA0AAA									
RAS213H0AA0AAA	Horizontal	17.5	208,000	11.0	18.9	12.0	49-3/8 x 86-5/8 x 127-7/8 (1253 x 2199 x 3249)	2159 (979)	
RAS213L0AA0AAA									
RAS213S0AA0AAA									
RAS240H0AA0AAA	Vertical	20	242,000	10.0	24.2	11.0	49-3/8 x 86-5/8 x 141-1/2 (1253 x 2199 x 3595)	2197 (997)	
RAS240L0AA0AAA									
RAS240S0AA0AAA									
RAS243H0AA0AAA	Horizontal	20	242,000	10.0	24.2	11.0	49-3/8 x 86-5/8 x 141-1/2 (1253 x 2199 x 3595)	2197 (997)	
RAS243L0AA0AAA									
RAS243S0AA0AAA									
RAS300H0AA0AAA	Vertical	25	280,000	10.0	28.2	10.9	57-3/8 x 86-5/8 x 141-1/2 1456 x x 2199 x 3595	2434 (1104)	
RAS300L0AA0AAA									
RAS300S0AA0AAA									
RAS303H0AA0AAA	Horizontal	25	280,000	10.0	28.2	10.9	57-3/8 x 86-5/8 x 141-1/2 1456 x x 2199 x 3595	2434 (1104)	
RAS303L0AA0AAA									
RAS303S0AA0AAA									

HIGH EFFICIENCY PACKAGE HEAT PUMPS

R-410A SINGLE PACKAGE ROOFTOP 3 - 10 TONS (1 & 3 Phase)

BUILT TO LAST, EASY TO INSTALL AND SERVICE

- One-piece, high efficiency electric heating and cooling with low profile, prewired, tested and charged at the factory
- Field convertible from vertical to horizontal airflow on all models. (No special kit required on 036-102 models.)
Field accessory supply duct kit required for 120 size model only
- Full perimeter base rail with built-in rigging adapters and fork truck slots
- Pre-painted exterior panels and primer-coated interior panels tested to 500 hours salt spray protection
- Fully insulated cabinet
- Single-stage cooling capacity control on 036-072 models, two-stage on 090-120 models
- Single scroll compressor on 036-072 models, dual scroll compressors on 090 -120 models with internal line-break overload protection
- All units have high and low pressure switches
- Two inch disposable fiberglass type return air filters in dedicated rack with tool-less filter access door
- Refrigerant filter drier and accumulator on each refrigerant circuit
- Precision sized suction line accumulator to provide high reliability
- 4-way reversing valve rapidly change the flow of refrigerant to quickly changeover from cooling to heating and heating to cooling.
- Dependable time/temperature defrost logic provides a defrost cycle, if needed, every 30, 60, 90, or 120 minutes and is adjustable
- Direct drive high efficiency ECM blower motor on 3 to 5 ton models
- Standard belt drive, constant torque motor with permanently lubricated motors
- Crankcase heaters on all models
- Indoor and outdoor coils constructed of aluminum fins mechanically bonded to seamless copper tubes
- Newly-designed indoor refrigerant header for easier maintenance and replacement
- Exclusive non-corrosive composite condensate pan in accordance with ASHRAE 62 Standard, sloping design; side or center drain
- Access panels with easy grip handles provide quick and easy access to the blower and blower motor, control box and compressor
- No-strip screw system has superior holding power and guides screws into position. while preventing the screw from stripping the unit's metal
- Newly designed terminal board facilitates simple safety circuit troubleshooting and simplified control box arrangement
- Outdoor temperature cooling operation range up to 125°F (52°C) and down to 30°F (-1°C) using winter start kit
- TXV refrigerant metering device on each circuit to precisely control refrigerant flow
- Large, laminated control wiring and power wiring drawings are affixed to unit to make troubleshooting easy
- Standard, medium and high static fan motor options available
- Provisions for thru-the-bottom power entry capability
- Single point electrical connections



RHH036-072



RHH090-102



Use of the AHRI Certified TM Mark indicates a manufacturer's participation in the program. For verification of certification for individual products, go to www.ahridirectory.org.



As an Energy Star® Partner, International Comfort Products, has determined that this product meets the ENERGY STAR® guidelines for energy efficiency.

WARRANTY

- 5 year compressor limited warranty
- 1 year parts limited warranty
- * For owner occupied, residential applications only.
See warranty certificate for complete details and restrictions, including warranty cover for other applications

UNIT PERFORMANCE DATA										
Model Number	Tons	Cooling			Heating			Unit Dimensions H x W x L inches (mm)	Unit Weight Lbs (Kg)	Notes
		Net Cap (Btuh)	SEER	EER	High Cap (Btuh)	HSPF	COP			
RHH036K0XA0AAA	3	36,400	15.6	12.70	34,000	8.0	N/A	33-3/8 x 46-3/4 x 74-3/8 (847 x 1187 x 1888)	495 (225)	
RHH036H0XA0AAA	3									
RHH036L0XA0AAA	3									
RHH036S0XA0AAA	3									

continued on next page

RHH (continued)

UNIT PERFORMANCE DATA (cont)										
Model Number	Tons	Cooling			Heating			Unit Dimensions H x W x L inches (mm)	Unit Weight Lbs (Kg)	Notes
		Net Cap (Btuh)	SEER	EER	High Cap (Btuh)	HSPF	COP			
RHH048K0XA0AAA	4	47,000	15.8	12.80	46,000	8.1	N/A	41-3/8 x 46-3/4 x 74-3/8 (1051 x 1187 x 1888)	580 (263)	
RHH048H0XA0AAA	4									
RHH048L0XA0AAA	4									
RHH048S0XA0AAA	4									
RHH060K0XA0AAA	5	58,500	15.0	12.50	55,000	8.2	N/A	41-3/8 x 46-3/4 x 74-3/8 (1051 x 1187 x 1888)	610 (277)	
RHH060H0XA0AAA	5									
RHH060L0XA0AAA	5									
RHH060S0XA0AAA	5									
RHH072H0AA0AAA	6	72,000	N/A	12.00	70,000	N/A	3.4	41-3/8 x 59-1/2 x 88-1/8 (1051 x 1510 x 2238)	710 (322)	
RHH072L0AA0AAA	6									
RHH072S0AA0AAA	6									
RHH090H0AA0AAA	7.5	90,000	N/A	12.10	84,000	N/A	3.5	49-3/8 x 59-1/2 x 88-1/8 (1253 x 1510 x 2238)	875 (397)	
RHH090L0AA0AAA	7.5									
RHH090S0AA0AAA	7.5									
RHH102H0AA0AAA	8.5	100,000	N/A	12.00	100,000	N/A	3.4	49-3/8 x 59-1/2 x 88-1/8 (1253 x 1510 x 2238)	1020 (463)	
RHH102L0AA0AAA	8.5									
RHH102S0AA0AAA	8.5									
RHH120H0AA0AAA	10.0	119,000	N/A	12.30	116,000	N/A	3.5	57-3/8 x 63-3/8 x 115-7/8 (1456 x 1609 x 2942)	1390 (632)	
RHH120L0AA0AAA	10.0									
RHH120S0AA0AAA	10.0									

ASHRAE 90.1 COMPLIANT PACKAGE HEAT PUMPS R-410A SINGLE PACKAGE ROOFTOP 3 - 12.5 TONS (1 & 3 Phase)

BUILT TO LAST, EASY TO INSTALL AND SERVICE

- One-piece, single package heat pump units that are prewired, tested and charged at the factory
- Single-stage cooling on 3 to 6 ton models, 2 stage cooling on 7.5 to 12.5 ton
- Exclusive non-corrosive composite condensate pan in accordance with ASHRAE 62 Standard, sloping design; side or center drain
- All units are convertible from downflow to horizontal air flow; no special adapter curbs are necessary on 3 to 10 ton models, supply duct kit required for 12.5 ton model only
- Copper tube aluminum fin coils with optional corrosion resistant coils
- Pre-painted exterior panels and primer-coated interior panels tested to 500 hours salt spray protection
- Fixed orifice metering devices on all models to precisely control refrigerant flow
- Outdoor temperature cooling operation range up to 115°F (46°C) and down to 25°F (-4°C)
- Newly designed terminal board facilitates simple safety circuit troubleshooting and simplified control box arrangement
- Fully insulated cabinet
- Access panels with easy grip handles provide quick and easy access to the blower and blower motor, control box and compressor
- Dependable time/temperature defrost logic provides a defrost cycle, if needed, every 30, 60, 90, or 120 minutes and is adjustable
- Scroll compressors with internal line-break protection
- Refrigerant circuits contain a liquid line filter drier to trap dirt and moisture
- All units have high and low pressure switches
- Two inch disposable fiberglass type return air filters in dedicated rack with tool-less filter access door
- Precision sized suction line accumulator to provide high reliability
- 4-way reversing valve rapidly change the flow of refrigerant to quickly changeover from cooling to heating and heating to cooling
- Direct drive high efficiency blower motor on 3 to 5 ton models, belt drive optional
- Belt drive evaporator fan motor and pulley combinations available on all sizes
- Crankcase heaters on all models but the 3 ton.
- Newly-designed indoor refrigerant header for easier maintenance and replacement
- No-strip screw system has superior holding power and guides screws into position. while preventing the screw from stripping the unit's metal
- Large, laminated control wiring and power wiring drawings are affixed to unit to make troubleshooting easy
- Standard, medium and high static fan motor options available
- Provisions for thru-the-bottom power entry capability
- Full perimeter base rail with built-in rigging adapters and fork truck slots
- Single point electrical connections



RHS036-072



RHS090-102

WARRANTY*

- 5 year compressor limited warranty
- 1 year parts limited warranty

* For owner occupied, residential applications only.

See warranty certificate for complete details and restrictions, including warranty cover for other applications



Use of the AHRI Certified TM Mark indicates a manufacturer's participation in the program. For verification of certification for individual products, go to www.ahridirectory.org.



UNIT PERFORMANCE DATA										
Model Number	Tons	Cooling			Heating			Unit Dimensions H x W x L in (mm)	Unit Weight Lbs (Kg)	Notes
		Net Cap (Btuh)	SEER	EER	High Cap (Btuh)	HSPF	COP			
RHS036K0XA0AAA	3	37,000	13.4	11.00	35,600	7.7	N/A	33-3/8 x 46-3/4 x 74-3/8 (847 x 1187 x 1888)	505 (229)	
RHS036H0XA0AAA										
RHS036L0XA0AAA										
RHS036S0XA0AAA										

continued on next page

RHS (continued)

UNIT PERFORMANCE DATA (cont)										
Model Number	Tons	Cooling			Heating			Unit Dimensions H x W x L in (mm)	Unit Weight Lbs (Kg)	Notes
		Net Cap (Btuh)	SEER	EER	High Cap (Btuh)	HSPF	COP			
RHS048K0XA0AAA	4	47,000	13.1	11.20	45,500	7.7	N/A	33-3/8 x 46-3/4 x 74-3/8 (847 x 1187 x 1888)	510 (231)	
RHS048H0XA0AAA										
RHS048L0XA0AAA										
RHS048S0XA0AAA										
RHS060K0XA0AAA	5	61,500	13.2	11.15	58,000	7.7	N/A	41-3/8 x 46-3/4 x 74-3/8 (1051 x 1187 x 1888)	590 (268)	
RHS060H0XA0AAA										
RHS060L0XA0AAA										
RHS060S0XA0AAA										
RHS072H0AA0AAA	6	70,000	N/A	11.10	67,000	N/A	3.3	41-3/8 x 46-3/4 x 74-3/8 (1051 x 1187 x 1888)	630 (286)	
RHS072L0AA0AAA										
RHS072S0AA0AAA										
RHS090H0AA0AAA	7.5	88,000	N/A	11.20	86,000	N/A	3.4	49-3/8 x 59-1/2 x 88-1/8 (1253 x 1510 x 2238)	885 (401)	
RHS090L0AA0AAA										
RHS090S0AA0AAA										
RHS102H0AA0AAA	8.5	99,000	N/A	11.20	96,000	N/A	3.3	49-3/8 x 59-1/2 x 88-1/8 (1253 x 1510 x 2238)	910 (413)	
RHS102L0AA0AAA										
RHS102S0AA0AAA										
RHS120H0AA0AAA	10	117,000	N/A	11.00	116,000	N/A	3.4	49-3/8 x 59-1/2 x 88-1/8 (1253 x 1510 x 2238)	1050 (476)	
RHS120L0AA0AAA										
RHS120S0AA0AAA										
RHS150H0AA0AAA	12.5	142,000	N/A	10.60	142,000	N/A	3.2	57-3/8 x 63-3/8 x 115-7/8 (1456 x 1609 x 2942)	1370 (623)	
RHS150L0AA0AAA										
RHS150S0AA0AAA										

ASHRAE 90.1 COMPLIANT PACKAGED ROOFTOP HEAT PUMP UNITS

R-410A, 15 - 20 TONS

BUILT TO LAST, EASY TO INSTALL AND SERVICE

- One-piece, electric cooling with a low profile, prewired, tested and charged at the factory
- Dedicated vertical or horizontal air flow duct configuration models; no field kits required
- Full perimeter base rail with built-in rigging adapters and fork truck slots
- Pre-painted exterior panels and primer-coated interior panels tested to 500 hours salt spray protection
- Fully insulated cabinet
- Two stage cooling with independent circuit and control on all models
- Scroll compressors with internal line-break overload protection on all models
- All units have loss of charge, freeze protection and high pressure switches
- Two inch disposable fiberglass type return air filters in dedicated rack with tool-less filter access door
- Liquid line filter drier and refrigerant accumulator on each circuit
- Dependable time/temperature defrost logic provides a defrost cycle, if needed, every 30, 60, 90, or 120 minutes and is adjustable
- Copper round tube and aluminum plate fin condenser and evaporator coils
- Exclusive non-corrosive composite condensate pan in accordance with ASHRAE 62 Standard, sloping design; end drain
- Belt drive evaporator-fan motor and pulley combinations available to meet most applications
- Access panels with easy grip handles provide quick and easy access to the blower and blower motor, control box and compressors
- "No-strip" screw system has superior holding power and guides screws into position while preventing the screw from stripping the unit's metal
- Newly-designed terminal board facilitates simple safe circuit troubleshooting and simplified control box arrangement
- Outdoor temperature cooling operation range up to 115°F (46°C) and down to 30°F (-1°C)
- Fixed orifice metering devices on all models to precisely control refrigerant flow
- Large, laminated control wiring and power wiring drawings are affixed to unit to make troubleshooting easy
- Standard, medium and high static fan motor options available
- Provisions for thru-the-bottom power entry capability
- Single point electrical connections



15 TON

WARRANTY

- 5 year compressor limited warranty
 - 1 year parts limited warranty
- See warranty certificate for complete details



Use of the AHRI Certified TM Mark indicates a manufacturer's participation in the program. For verification of certification for individual products, go to www.ahridirectory.org.



UNIT PERFORMANCE DATA

Model Number	Dedicated Airflow	Tons	Cooling		Heating		Total Power (kW)	Unit Dimensions H x W x L in (mm)	Unit Weight Lbs (Kg)	Notes
			Net Cap (Btuh)	EER	High Cap (Btuh)	COP				
RHS181*0AA0AAA	Vertical	15	172,000	10.80	166,000	3.3	14.6	49-3/8 x 86-3/8 x 127-7/8 (1253 x 2194 x 3249)	1775 [807]	
RHS181*0AA0AAA										
RHS181*0AA0AAA										
RHS183*0AA0AAA	Horizontal	15	172,000	10.80	166,000	3.3	14.6	49-3/8 x 86-3/8 x 127-7/8 (1253 x 2194 x 3249)	1775 [807]	
RHS183*0AA0AAA										
RHS183*0AA0AAA										
RHS240*0AA0AAA	Vertical	20	232,000	10.50	220,000	3.3	20.5	49-3/8 x 86-3/8 x 141-1/2 (1253 x 2194 x 3595)	2100 [955]	
RHS240*0AA0AAA										
RHS240*0AA0AAA										
RHS243*0AA0AAA	Horizontal	20	232,000	10.50	220,000	3.3	20.5	49-3/8 x 86-3/8 x 141-1/2 (1253 x 2194 x 3595)	2100 [955]	
RHS243*0AA0AAA										
RHS243*0AA0AAA										

**COMMERCIAL ROOFTOP
ACCESSORIES
3 TO 27.5 TON**

NOTES

Accessory Model Number	Description	Use With	Notes
CURBS			
CRRFCURB001A01	14" High Roof Curb. Ductwork attaches to the roof curb. Includes thru-the-bottom capability.	036 - 060	
CRRFCURB003A01		072 - 120	
CRRFCURB074A00		150	
CRRFCURB002A01	24" High Roof Curb. Ductwork attaches to the roof curb. Includes thru-the-bottom capability.	036 - 060	
CRRFCURB004A01		072 - 120	
CRRFCURB075A00		150	
THROUGH-THE-BOTTOM/CURB POWER CONNECTION			
CRBTMPWR001A01	Thru-the-bottom electrical connections and thru-the-curb gas connections. Includes a 3/4-inch diameter liquid tight conduit fitting for high voltage power wires	036 - 060	
CRBTMPWR002A01	Thru-the-bottom electrical connections and thru-the-curb gas connections. Includes a 1-1/4-inch diameter liquid tight conduit fitting for high voltage power wires	072 - 120	
CRBTMPWR003A01	Thru-the-bottom power, control, and gas connections. Includes a 3/4-inch diameter liquid tight conduit fitting for high voltage power wires	036 - 060	
CRBTMPWR004A01	Thru-the-bottom power, control, and gas connections. Includes a 1-1/4-inch diameter liquid tight conduit fitting for high voltage power wires	072 - 120	
CRBTMPWR005A00	Thru-the-bottom power, control, and gas connections. Includes a 1-1/4 inch diameter liquid tight conduit fitting for high voltage power wires	150	
CRBTMPWR006A00	Thru-the-bottom power, control, and gas connections. Includes a 1-1/2 inch diameter liquid tight conduit fitting for high voltage power wires	150	
CRBTMPWR007A00	Thru-the-bottom power, control, and gas connections. Includes a 2 inch diameter liquid tight conduit fitting for high voltage power wires	150	
ECONOMIZERS			
DNECOMZR020A02	Vertical Economizer IV with solid-state controller, gear-driven, fully modulating damper, spring return actuator, up to 100% barometric relief, supply and outdoor air sensors, and CO2 sensor compatible.	036 - 060	
DNECOMZR021A03		072 - 120	
DNECOMZR062A00		150	
CRECOMZR069A00 ^{1,2}	Ultra Low Leak Vertical ³ Economizer X with solid-state W7220 controller, gear-driven, modulating damper, spring return actuator, up to 100% barometric relief, supply and outdoor air sensors, and CO2 sensor compatible, for use in electro mechanical control	090 - 120	
CRECOMZR071A00 ^{1,2}	Ultra Low Leak Vertical ³ Economizer X with solid-state W7220 controller, gear-driven, modulating damper, spring return actuator, up to 100% barometric relief, supply and outdoor air sensors, and CO2 sensor compatible, for use in electro mechanical control	150	
DNECOMZR024A02	Horizontal Economizer IV with solid-state controller, gear-driven, fully modulating damper, spring return actuator, up to 100% barometric relief, supply and outdoor air sensors, and CO2 sensor compatible.	036 - 060	
DNECOMZR025A02		072 - 120	
DNECOMZR064A00		150	

¹ Economizer X cannot be installed with Economizer IV, manual damper, or motorized damper.

² Can only be used on electrical mechanical units with 2-stage cooling and 2-speed fan control.

³ Economizer X is currently only available on vertical air flow conf

continued on next page

Accessory Model Number	Description	Use With	Notes
ECONOMIZER SENSORS			
DNTEMPSN002A00	Outdoor or Return Dry Bulb Sensor used with Electro-Mechanical Control	Economizers IV	
DNCBDIOX005A00	CO2 Sensor for use in return airstream. Also includes Aspirator Box required for Duct Mounting.	Economizers IV, X	
DNENTDIF004A00	Return Air Enthalpy Sensor used with Electro-Mechanical controls, use with AX078ENT for differential enthalpy control	Economizers IV	
AXB078ENT	Economizer Differential Enthalpy Control Upgrade	Economizers IV	
CRTEMPSN005A00	Outdoor or Return Dry Bulb Temperature Sensor used with Honeywell W7220 Electro-Mechanical Control	Economizers X	
HH57AC081	Enthalpy Control for W7220 Controller only, (one required for single enthalpy, two required for different enthalpy)	Economizers X	
POWER EXHAUST*			
DNPWREXH030A01	Vertical Power Exhaust 208/230 volt (1 or 3 Phase)	036 - 060	
DNPWREXH021A01	Vertical Power Exhaust 460 volt	036 - 060	
DNPWREXH022A01	Vertical Power Exhaust 208/230 volt	072 - 120	
DNPWREXH023A01	Vertical Power Exhaust 460 volt	072 - 120	
DNPWREXH080A00	Vertical Power Exhaust 208/230 volt	150	
DNPWREXH081A00	Vertical Power Exhaust 460 volt	150	
DNPWREXH028A01	Horizontal Power Exhaust 208/230 (1 or 3 Phase) & 575 volt	036 - 120	
DNPWREXH029A01	Horizontal Power Exhaust 460 volt	036 - 120	
DNPWREXH082A00	Horizontal Power Exhaust 208/230 & 575 volt	150	
DNPWREXH083A00	Horizontal Power Exhaust 460 volt	150	
* Vertical Power Exhaust requires a vertical economizer. Horizontal Power Exhaust should be duct-mounted in the return duct.			
575V TRANSFORMER			
1171494 ²	Transformer for conversion from 575v to 208/230v power exhaust applications.	036 - 150	
MANUAL OUTDOOR AIR DAMPERS			
CRMANDPR001A03	25% Open Manual Fresh Air Damper	036 - 060	
CRMANDPR001A02	50% Open Manual Fresh Air Damper	036 - 060	
CRMANDPR002A03	25% Open Manual Fresh Air Damper	072 - 120	
CRMANDPR002A02	50% Open Manual Fresh Air Damper	072 - 120	
CRMANDPR011A00	50% Open Manual Fresh Air Damper	150	
MOTORIZED OUTDOOR AIR DAMPERS			
CRTWOPOS010A00	Motorized 2 position outdoor air damper (25-100% Outdoor Air)	036 - 060	
CRTWOPOS011A00		072 - 120	
CRTWOPOS014A00		150	
CONTROL UPGRADE KITS			
CRDISKIT001A00	2-Speed VFD display kit provides the field capability to set up points and troubleshooting codes on the VFD controller. Can be used for any associated unit with VFD.	All 2-Speed VFD Controllers	
NRTIMEGD001A00	Time Guard II	036 - 150	
DNWINSTR001A00	Electronic phase monitor breaks R control signal if trouble is detected.(Allows operation down to 255F from standard 405F.)	036 - 150	
CRPHASE3001A02	Phase Monitor Control	All 208/230v, 460v (3 Ph only)	
CRPHASE3002A00	Phase Monitor Control	All 575v	
CRSTATUS001A02	Fan/Filter Status Switch	036 - 150	
CRSDTEST001A00	Remote keyed attenuator / test / reset station	036 - 150	

² Available from FAST Parts

continued on next page

RGH / RAH036-150

Single and Dual Compressor Models (cont.)

Accessories

Accessory Model Number	Description	Use With	Notes
LOW AMBIENT CONTROLS *			
32LT900301 ¹	Motormaster I -20°F (-29°C) Low Ambient Control 208/230-1-60, 208/203-3-60, 575-3-60	036 - 102	
32LT900611 ¹	Motormaster I -20°F (-29°C) Low Ambient Control 460-3-60	048 - 102	
CPLOWAMB001A00	Motormaster II 0°F (-17°C) Low Ambient Control 208/230-1, 208/230-3, 460-3-60	036 - 150	
1178185 ²	Motormaster I Compatible Condenser Fan Motor 208/230-3-60, 575-3-60	036	
1178186 ²	Motormaster I Compatible Condenser Fan Motor 460-3-60	036	
1171974 ²	Motormaster I Compatible Condenser Fan Motor 208/230-3-60, 575-3-60	048 - 102	
1171975 ²	Motormaster I Compatible Condenser Fan Motor 460-3-60	048 - 102	
CRLOWAMB030A00 ³	Motormaster V Low Ambient Kit. Mechanical cooling operation down to -20° F (- 29° C)	120 208/203-3-60	
CRLOWAMB031A00 ³		120 460-3-60	
CRLOWAMB032A00 ³		120 575-3-60	
CRLOWAMB039A00 ³	Motormaster I Low Ambient Kit. Mechanical cooling operation down to -20° F (- 29° C)	120 208/203-3-60	
CRLOWAMB040A00 ³		120 460-3-60	
CRTRXKIT001A00	Motormaster I Low Ambient control - Transformer kit. Must be used in conjunction with Low Ambient Controller if used on 575v models.	120 575-3-60	
SPECIAL - 150 SIZE SPECIFIC ACCESSORIES			
CRDISBKT001A00	Disconnect Switch Bracket - Provides a pre engineered and sized mounting bracket for applications requiring a unit mounted fused disconnect of greater than 100 amps.	150	
CRDUCTCV002A00	Supply Duct Cover - This supply duct cover is required when field converting the factory standard vertical duct supply to horizontal duct supply configuration.	150	
LP GAS CONVERSION KITS			
CRLPELEV001A00	LP and Hi Altitude conversion kit. Contains spuds sizes 31, 32, 33, 35, and 36.	036 - 120	
CRLPELEV002A00	LP and Hi Altitude conversion kit. Contains spuds sizes 37, 38, 39, 44, and 45.	036 - 120	
CRLPELEV003A00	LP and Hi Altitude conversion kit. Contains spuds sizes 46, 47, 48, 49, and 50.	036 - 120	
CRLPELEV004A00	LP and Hi Altitude conversion kit. Contains spuds sizes 51, 52, 53, 54, and 55.	036 - 120	
CRLPELEV007A00	LP and Hi Altitude conversion kit. Contains spuds sizes 36, 37, 38, and 39.	150	
CRLPELEV008A00	LP and Hi Altitude conversion kit. Contains spuds sizes 40, 41, 42, and 43.	150	
CRLPELEV009A00	LP and Hi Altitude conversion kit. Contains spuds sizes 51, 52, 53, 54, and 55.	150	

*See usage tables in kit instructions.

¹ Requires motor change out.² Available from FAST Parts.

Note: Sizes 036-060 requires (1) low ambient controller and (1) compatible condenser fan motor for change out

Sizes 072-102 requires (1) low ambient controller and (2) compatible condenser fan motors for change out

³ No motor change is required on these specific models. Requires two DNWINSTR001A00

Winter Start Kits (one per circuit)

continued on next page

RGH / RAH036-150

Single and Dual Compressor Models (cont.)

Accessories

Accessory Model Number	Description	Use With	Notes
HEATING UPGRADE KITS			
CRFLUEDS001A00	Flue Discharge Deflector	036 - 120	
CRFLUEHD001A01	Flue Exhaust Heat Shield	036 - 120	
CRFLUEDS007A00	Flue Discharge Deflector	150	
ACCESSORY KITS FOR UNITS WITH HINGED ACCESS PANELS			
DNHNGPNL001A00	Vertical accessory kit. Required when field installing a two position damper or vertical economizer. Includes angle and seal strip.	036 - 060	
DNHNGPNL002A00		072 - 120	
DNPECONV003A00	Horizontal accessory kit. Required when field installing a two position damper or vertical economizer. Includes door panel, angle and seal strip	036 - 060	
DNPECONV004A00		072 - 120	
LOUVERD HAIL GUARDS - CONDENSER COIL			
CRLVHLGD012A00	Louvered Condenser Coil Hail Guard	036	
CRLVHLGD013A00	Louvered Condenser Coil Hail Guard	048-060	
CRLVHLGD014A00	Louvered Condenser Coil Hail Guard	072	
CRLVHLGD016A00	Louvered Condenser Coil Hail Guard	090-120	
CRLVHLGD032A00	Louvered Condenser Coil Hail Guard	150	

REFER TO PRODUCT SPECIFICATIONS FOR EXACT ACCESSORY MATCH.

Accessory Model Number	Description	Use With	Notes
FLAT ROOF CURBS*			
CRRFCURB045A00	14" High Roof Curb	181/183	
CRRFCURB047A00	14" High Roof Curb	210/243	
CRRFCURB046A00	24" High Roof Curb	181/183	
CRRFCURB048A00	24" High Roof Curb	210/243	
CRRFCURB049A00	14" High Roof Curb	300 - 303	
CRRFCURB050A00	24" High Roof Curb	300 - 303	

* Includes thru-the-bottom capability

ECONOMIZERS			
DNECOMZR052A00	Vertical and Horizontal Economizer IV with solid-state controller, gear-driven, modulating damper, spring return actuator, up to 100% barometric relief, supply and outdoor air sensors, and CO2 sensor compatible.	181/183 - 210/213	
DNECOMZR053A00		240/243 - 300/303	
CRECOMZR074A00 ^{1,2}	Ultra Low Leak ³ Vertical and Horizontal Economizer X with solid-state controller, gear-driven, modulating damper, spring return actuator, up to 100% barometric relief, supply and outdoor air sensors, and CO2 sensor compatible.	181/183-210/213	
CRECOMZR075A00 ^{1,2}	Ultra Low Leak ³ Vertical and Horizontal Economizer X with solid-state controller, gear-driven, modulating damper, spring return actuator, up to 100% barometric relief, supply and outdoor air sensors, and CO2 sensor compatible.	240/243-300/303	

¹ Economizer X cannot be install with Economizer IV, manual damper, or motorized damper.

² Can only be used on electrical mechanical units with 2-stage cooling and 2-speed fan control.

ECONOMIZER SENSORS			
DNTEMPSN002A00	Single (dry bulb) Control	Economizer IV	
DNCBDIOX005A00	CO2 Sensor for use in return airstream	Economizer IV, X	
DNENTDIF004A00	Return Air Enthalpy Sensor	Economizer IV	
AXB078ENT	Enthalpy Control	Economizer IV	
CRTEMPSN005A00	Outdoor or Return Dry Bulb Sensor used with Honeywell W7220 Electro-Mechanical Control	Economizer X	
--HH--57AC-081	Enthalpy control for W7220 controller only. (One required for single enthalpy, two required for differential enthalpy)	Economizer X	

BAROMETRIC RELIEF HOOD			
CRBARHOD001A00	For horizontal economizer applications where relief damper is installed in duct work, this kit provides needed protection	183 - 213 - 243 - 303	

POWER EXHAUST*			
CRPWREXH068A00	Vertical and Horizontal, 208/230-3-60	181 - 303	
CRPWREXH069A00	Vertical and Horizontal, 460-3-60	181 - 303	
CRPWREXH070A00	Vertical and Horizontal, 575-3-60	181 - 303	

MANUAL OUTDOOR AIR DAMPERS			
CRMANDPR009A00	25% Open Manual Fresh Air Damper	213	
CRMANDPR010A00	25% Open Manual Fresh Air Damper	240-303	

* When power exhaust is used on horizontal applications, it must be field mounted to the side of the return duct.

continued on next page

Accessory Model Number	Description	Use With	Notes
MOTORIZED OUTDOOR AIR DAMPERS			
CRTWOPOS012A00	Motorized 2 position outdoor air damper	181,183, 210,213	
CRTWOPOS013A00	Motorized 2 position outdoor air damper	240,243, 300,303	
LOW AMBIENT CONTROLS			
CRLOWAMB041A00 ¹	Motormaster I -20°F (-29°C) Low Ambient Control 208/230-3-60	181 - 303	
CRLOWAMB042A00 ¹	Motormaster I -20°F (-29°C) Low Ambient Control 460-3-60, 575-3-60	181 - 303	
CRTRXKIT001A00	Motormaster I -20°F (-29°C)Transformer 575-3-60	181 - 303	
CONTROL UPGRADE KITS			
CRDISBKT001A00	2-Speed VFD display kit provides the field capability to set up points and troubleshooting codes on the VFD controller. Can be used for any associated unit with VFD.	All 2 speed VFD Controllers	
NRTIMEGD001A00	Time Guard II	181 - 303	
CRSDTEST001A00	Smoke detector remote Test/Reset/Alarm indicator kit	181 - 303	
CRPHASE3001A02	Electronic Phase Monitor - All 208/230/460-3-60 models	181 - 303	
CRPHASE3002A00	Electronic Phase Monitor - All 575-3-60 models	181 - 303	
CRSTATUS005A00	Fan/filter Status Switch - Indicator light not included	181 - 303	
CRSMKSEN002A00	Smoke Detector Control Module	181 - 303	
CRSMKKIT002A00	Smoke Detector Control Module (Smoke Detector Sensor with sampling tube & exhaust tube)	181 - 303	
DNWINSTR001A00	Winter Start Kit - Contains time delay relay for timed bypass of low pressure switch on startup	181 - 303	
¹ Also requires two DNWINSTR001A00 Winter Start Kits, one per refrigerant circuit			
² Must use in conjunction with CRLOWAMB042A00 if used on 575-3-60 models.			
Propane GAS CONVERSION KITS			
CRLPKIT9001A00	Propane Conversion kit. for use between 0' to 2,000'	181 - 303	
CRLPELEV005A00	Propane and Hi Altitude conversion kit (for use between 2001' to 10,000')	181 - 303	
CRLPELEV006A00	Propane and Hi Altitude conversion kit (for use between 10,001' to 14,000')	181 - 303	
NATURAL GAS HIGH ALTITUDE CONVERSION KITS			
CRNGELEV001A00	High Altitude Conversion kit (for use between 3,000' to 10,000')	181 - 303	
CRNGELEV002A00	High Altitude Conversion kit (for use between 10,001' to 14,000')	181 - 303	
HEATING UPGRADE KITS			
CRFLUEDS006A00	Flue Discharge Deflector	181 - 303	
4 FILTER TRACK UPGRADE KIT			
CRFLTTRK001A00	4 Field Conversion Kit	181 - 303	
HAIL GUARDS			
CRLVHLGD017A00	Louvered Condenser Coil Hail Guard	181/183	
CRLVHLGD030A00	Louvered Condenser Coil Hail Guard	210/213	
CRLVHLGD031A00	Louvered Condenser Coil Hail Guard	240/243	
CRLVHLGD029A00	Louvered Condenser Coil Hail Guard	300/303	

REFER TO PRODUCT SPECIFICATIONS FOR EXACT ACCESSORY MATCH.

RGS/RAS036-180

Single and Dual Compressor Models

Accessories

Accessory Model Number	Description	Use With	Notes
CURBS			
CRRFCURB001A01	14" High Roof Curb. Ductwork attaches to the roof curb. Includes thru-the-bottom capability.	036 - 072	
CRRFCURB003A01		090 - 150	
CRRFCURB074A00		180	
CRRFCURB002A01	24" High Roof Curb. Ductwork attaches to the roof curb. Includes thru-the-bottom capability.	036 - 072	
CRRFCURB004A01		090 - 150	
CRRFCURB075A00		180	
THROUGH-THE-BOTTOM/CURB POWER CONNECTION			
CRBTMPWR001A01	Thru-the-bottom electrical + thru-the-curb gas	036 - 072	
CRBTMPWR002A01	Thru-the-bottom electrical + thru-the-curb gas	090 - 150	
CRBTMPWR003A01	Thru-the-bottom electrical and gas	036 - 072	
CRBTMPWR004A01	Thru-the-bottom electrical and gas	090 - 150	
CRBTMPWR005A00	Thru-the-bottom electrical and gas	180	
CRBTMPWR006A00			
CRBTMPWR007A00			
ECONOMIZERS			
DNECOMZR020A02	Vertical Economizer IV with solid-state controller, gear-driven, 3-position modulating damper, spring return actuator, up to 100% barometric relief, supply and outdoor air sensors, and CO2 sensor compatible.	036 - 072	
DNECOMZR021A03		090 - 150	
DNECOMZR062A00		180	
CRECOMZR069A00 ^{1,2}	Ultra Low Leak ³ Vertical Economizer X with solid-state W7220 controller, gear-driven, modulating damper, spring return actuator, up to 100% barometric relief, supply and outdoor air sensors, and CO2 sensor compatible, for use in electro mechanical controls only.	090 - 150	
CRECOMZR071A00 ^{1,2}	Ultra Low Leak ³ Vertical Economizer X with solid-state W7220 controller, gear-driven, modulating damper, spring return actuator, up to 100% barometric relief, supply and outdoor air sensors, and CO2 sensor compatible, for use in electro mechanical controls only.	180	
DNECOMZR024A02	Horizontal Economizer IV with solid-state controller, gear-driven, 3-position modulating damper, spring return actuator, up to 100% barometric relief, supply and outdoor air sensors, and CO2 sensor	036 - 072	
DNECOMZR025A02		090 - 150	
DNECOMZR064A00		180	
¹ Economizer X cannot be installwith Economizer IV, manual damper, or motorized damper. ² Can only be used on electricl mechanical units with 2-stage cooling and 2-speed fan control. ³ Economizer X is currently only available on vertical air flow configuration models.			
ECONOMIZER SENSORS			
DNTEMPSN002A00	Outdoor or Return Dry Bulb Sensor used with Electro-Mechanical Control	Economizer IV	
DNCBDIOX005A00	CO2 Sensor for use in return airstream. Also includes Aspirator Box required for Duct Mounting.	Economizer IV, X	
DNENTDIF004A00	Return Air Enthalpy Sensor used with Electro-Mechanical controls, use with AX078ENT for differential enthalpy control	Economizer IV	
AXB078ENT	Economizer Differential Enthalpy Control Upgrade	Economizer IV	
--HH--57AC-081	Enthalpy control for W7220 controller only. (One required for single enthalpy, two required for differential enthalpy)	Economizer X	
CRTEMPSN005A00	Outdoor or Return Dry Bulb Sensor used with Honeywell W7220 Electro-Mechanical Control	Economizer X	

continued on next page

Accessory Model Number	Description	Use With	Notes
POWER EXHAUST			
DNPWREXH030A01	Vertical Power Exhaust 208/230 volt (1 or 3 Phase)	036 - 072	
DNPWREXH021A01	Vertical Power Exhaust 460 volt	036 - 072	
DNPWREXH022A01	Vertical Power Exhaust 208/230 volt (1 or 3 Phase)	090 - 150	
DNPWREXH023A01	Vertical Power Exhaust 460 volt	090 - 150	
DNPWREXH080A00	Vertical Power Exhaust 208/230 volt	180	
DNPWREXH081A00	Vertical Power Exhaust 460 volt	180	
DNPWREXH028A01	Horizontal Power Exhaust 208/230 & 575 volt (1 or 3 Phase)	036 - 150	
DNPWREXH029A01	Horizontal Power Exhaust 460 volt	036 - 150	
DNPWREXH082A00	Horizontal Power Exhaust 208/230 & 575 volt	180	
DNPWREXH083A00	Horizontal Power Exhaust 460 volt	180	
575V TRANSFORMER			
11714942	Transformer for conversion from 575v to 208/230v power exhaust applications.	036 - 180	
MANUAL OUTDOOR AIR DAMPERS			
CRMANDPR001A03	25% Open Manual Fresh Air Damper	036 - 072	
CRMANDPR001A02	50% Open Manual Fresh Air Damper	036 - 072	
CRMANDPR002A03	25% Open Manual Fresh Air Damper	090 - 150	
CRMANDPR002A02	50% Open Manual Fresh Air Damper	090 - 150	
CRMANDPR011A00	50% Open Manual Fresh Air Damper	180	
MOTORIZED OUTDOOR AIR DAMPERS			
CRTWOPOS010A00	Motorized 2 position outdoor air damper	036 - 072	
CRTWOPOS011A00	Motorized 2 position outdoor air damper	090 - 150	
CRTWOPOS014A00	Motorized 2 position outdoor air damper	180	
LOW AMBIENT CONTROLS *			
32LT900301 ¹	Motormaster I -20°F (-29°C) Low Ambient Control 208/230-1-60, 208/203-3-60, 575-3-60	036 - 121	
32LT900611 ¹	Motormaster I -20°F (-29°C) Low Ambient Control 460-3-60	036 - 121	
CPLOWAMB001A00	Motormaster II 0°F (-17°C) Low Ambient Control 208/230-1, 208/230-3, 460-3-60	036 - 121 ⁴	
1171974 ²	Motormaster I Compatible Condenser Fan Motor 208/230-1-60, 208/203-3-60, 575-3-60	036 - 121	
1171975 ²	Motormaster I Compatible Condenser Fan Motor 460-3-60	036 - 121	
CRLOWAMB030A00 ³	Motormaster V Low Ambient Kit. Mechanical cooling operation down to -20° F (- 29° C)	150	
CRLOWAMB031A00 ³		208/203-3-60	
CRLOWAMB032A00 ³		150	
CRLOWAMB039A00	Motormaster I Low Ambient Kit. Mechanical cooling operation down to -20° F (- 29° C). Kit includes 3 motors, MotorMaster controller, wiring label, and required wire ties and connectors. DNWINSTR001A00 also required (one per refrigerant circuit).	460-3-60	
CRLOWAMB040A00	Motormaster I Low Ambient Kit. Mechanical cooling operation down to -20° F (- 29° C). Kit includes 3 motors, MotorMaster controller, wiring label, and required wire ties and connectors. 575 Volt models also require CRTRXKIT002A00 plus DNWINSTR001A00 also required (one per refrigerant circuit).	180 575-3-60	
CRTRXKIT001A00	Motormaster I Low Ambient Control – Transformer Kit. Must be used in conjunction with Low Ambient Controller if used on 575-3-60 volt models.	180 575-3-60	

* See usage tables in kit instructions.

¹ Requires motor change out. Sizes 036-072 require one (1) Low Ambient Controller and one (1) compatible condenser fan motor for change-out. Sizes 090-121 require one (1) Low Ambient Controller and two (2) compatible condenser fan motors for change-out. See Motormaster I kit instructions for capacitor replacement information.

² Available from FAST Parts.

³ No motor change is required on these specific models.

⁴ One DNWINSTR001A00 also required per refrigerant circuit.

continued on next page

Accessory Model Number	Description	Use With	Notes
CONTROL UPGRADE KITS			
CRSTATUS001A00	Fan/Filter Status Switch	ALL	
CRDISKIT001A00	2 Speed VFD display kit – Provides the field capability to set up points and troubleshooting codes on the VFD controller. Kit includes display, cable, and mounting bracket for a unit installation. If preferred, kit can be used for any associated unit with VFD.	All 2 Speed VFD Controllers	
NRTIMEGD001A00	Time Guard II -- Automatically prevents the compressor from restarting for at least 4 minutes and 45 seconds after shutdown of the compressor. Not required when a commercial thermostat has a minimum 5 min time delay between cooling cycles available (One required per unit)	All	
DNWINSTR001A00	Winter Start Package - Contains time delay relay for timed bypass of low pressure switch on startup.(One required per refrigerant circuit) ¹	All	
CRPHASE3001A02	Phase Monitor Control - Provides phase loss/phase reversal protection - All 3 phase 208/230/460-3-60 models	All	
CRPHASE3002A00	Phase Monitor Control - Provides phase loss/phase reversal protection - All 575-3-60 models	All	
CRSDTEST001A00	Remote keyed attenuator / test / reset station for use with factory installed smoke detectors. Includes power, alarm & trouble indicator lights.	All	
HEATING UPGRADE KITS			
CRLPELEV001A00	LP and Hi Altitude conversion kit. Contains spuds sizes 31, 32, 33, 35, and 36.	036 - 150	
CRLPELEV002A00	LP and Hi Altitude conversion kit. Contains spuds sizes 37, 38, 39, 44, and 45.	036 - 150	
CRLPELEV003A00	LP and Hi Altitude conversion kit. Contains spuds sizes 46, 47, 48, 49, and 50.	036 - 150	
CRLPELEV004A00	LP and Hi Altitude conversion kit. Contains spuds sizes 51, 52, 53, 54, and 55.	036 - 150	
CRLPELEV007A00	LP and Hi Altitude conversion kit. Contains spuds sizes 36, 37, 38, and 39.	180	
CRLPELEV008A00	LP and Hi Altitude conversion kit. Contains spuds sizes 40, 41, 42, and 43.	180	
CRLPELEV009A00	LP and Hi Altitude conversion kit. Contains spuds sizes 51, 52, 53, 54, and 55.	180	
HEATING UPGRADE KITS			
CRFLUEDS001A00	Flue Discharge Deflector	036 - 150	
CRFLUEHD001A01	Flue Exhaust Heat Shield	036 - 180	
CRFLUEHS007A00	Flue Discharge Deflector	180	
HAIL GUARDS			
CRLVHLGD011A00	Louvered Condenser Coil Hail Guard	036	
CRLVHLGD012A00	Louvered Condenser Coil Hail Guard	048 - 060	
CRLVHLGD013A00	Louvered Condenser Coil Hail Guard	072	
CRLVHLGD014A00	Louvered Condenser Coil Hail Guard	090, 91	
CRLVHLGD015A00	Louvered Condenser Coil Hail Guard	101	
CRLVHLGD016A00	Louvered Condenser Coil Hail Guard	102, 120, 121, 150	
CRLVHLGD032A00	Louvered Condenser Coil Hail Guard	180	
SPECIAL - 180 SIZE SPECIFIC ACCESSORIES			
CRDISBKT001A00	Disconnect Switch Bracket	180	
CRDUCTCV002A00	Supply Duct Cover	180	

REFER TO PRODUCT SPECIFICATIONS FOR EXACT ACCESSORY MATCH.

Accessory Model Number	Description	Use With	Notes
FLAT ROOF CURBS*			
CRRFCURB045A00	14" (356 mm) High Roof Curb. Ductwork attaches to the roof curb. Includes thru-the-bottom capability.	210/213	
CRRFCURB047A00		240/243 - 300/303	
CRRFCURB049A00		336/333	
CRRFCURB046A00	24" (607 mm) High Roof Curb. Ductwork attaches to the roof curb. Includes thru-the-bottom capability.	210/213	
CRRFCURB048A00		240/243 - 300/303	
CRRFCURB050A00		336/333	

* Includes thru-the-bottom capability

ECONOMIZERS IV			
DNECOMZR052A00 ^{1,2}	Vertical and Horizontal Economizer IV with solid-state controller, gear-driven, modulating damper, spring return actuator, up to 100% barometric relief, supply and outdoor air sensors, and CO2 sensor compatible.	210/213 - 240/243	
DNECOMZR053A00 ^{1,2}		300/303 - 336/333	

¹ Economizer IV cannot be installed with Economizer X, manual damper, or motorized damper

² Can only be used on electrical mechanical units with 2-stage cooling and 2-speed fan control

ECONOMIZERS X			
CRECOMZR074A00 ^{1,2}	Ultra Low Leak ³ Vertical and Horizontal Economizer X with solid-state controller, gear-driven, modulating damper, spring return actuator, up to 100% barometric relief, supply and outdoor air sensors, and CO2 sensor compatible.	210/213 - 240/243	
CRECOMZR075A00 ^{1,2}	Ultra Low Leak ³ Vertical and Horizontal Economizer X with solid-state controller, gear-driven, modulating damper, spring return actuator, up to 100% barometric relief, supply and outdoor air sensors, and CO2 sensor compatible.	300/303 - 336/333	

¹ Economizer X cannot be installed with Economizer IV, manual damper, or motorized damper

² Can only be used on electrical mechanical units with 2-stage cooling and 2-speed fan control

ECONOMIZER SENSORS			
DNTEMPSN002A00	Single (dry bulb) Control	Economizer IV	
DNCBDIOX005A00	CO2 Sensor for use in return airstream	Economizer IV, X	
DNENTDIF004A00	Return Air Enthalpy Sensor	Economizer IV	
AXB078ENT	Enthalpy Control	Economizer IV	
CRTEMPSN005A00	Outdoor or Return Dry Bulb Sensor used with Honeywell W7220 Electro-Mechanical Control	Economizer X	
--HH--57AC-081	Enthalpy control for W7220 controller only. (One required for single enthalpy, two required for differential enthalpy)	Economizer X	

NOTE: Supply air temperature sensor (SAT and low ambient lockout switch) provided with Economizer IV or Economizer X.

BAROMETRIC RELIEF HOOD			
CRBARHOD001A00	For horizontal economizer applications where relief damper is installed in duct work, this kit provides needed protection	213 - 243 303 - 330	
POWER EXHAUST*			
CRPWREXH068A00	Vertical and Horizontal, 208/230-3-60	ALL	
CRPWREXH069A00	Vertical and Horizontal, 460-3-60	ALL	
CRPWREXH070A00	Vertical and Horizontal, 575-3-60	ALL	

* When power exhaust is used on horizontal applications, it must be field mounted to the side of the return duct.

** Power exhaust can be used with both Economizer IV and Economizer X. The power exhaust is controlled by the Economizer controller.

MANUAL OUTDOOR AIR DAMPERS			
CRMANDPR009A00	25% Open Manual Fresh Air Damper	210/213 - 240/243	
CRMANDPR010A00	25% Open Manual Fresh Air Damper	300/303 - 336/333	

continued on next page

Accessory Model Number	Description	Use With	Notes
MOTORIZED OUTDOOR AIR DAMPERS			
CRTWOPOS012A00	Motorized 2 position outdoor air damper	210/213 - 240/243	
CRTWOPOS013A00	Motorized 2 position outdoor air damper	300/303 - 336/333	
LOW AMBIENT CONTROLS			
CRLOWAMB041A00	Motormaster I -20°F (-29°C) Low Ambient Control 208/230-3-60	ALL	
CRLOWAMB042A00	Motormaster I -20°F (-29°C) Low Ambient Control 460-3-60, 575-3-60	ALL	
CRTRXKIT001A00	Motormaster I -20°F (-29°C)Transformer 575-3-60 ¹	ALL	
* When power exhaust is used on horizontal applications, it must be field mounted to the side of the return duct.			
¹ Must use in conjunction with CRLOWAMB028A00 if used on 575-3-60 models.			
CONTROL UPGRADE KITS			
CRDISBKT001A00	2-Speed VFD display kit provides the field capability to set up points and troubleshooting codes on the VFD controller. Can be used for any associated unit with VFD.	All 2 speed VFD Controllers	
NRTIMEGD001A00	Time Guard II	ALL	
CRSDTEST001A00	Smoke detector remote Test/Reset/Alarm indicator kit	ALL	
CRPHASE3001A02	Electronic Phase Monitor - All 208/230/460-3-60 models	ALL	
CRPHASE3002A00	Electronic Phase Monitor - All 575-3-60 models	ALL	
CRSTATUS005A00	Fan/filter Status Switch - Indicator light not included	ALL	
CRSMKSEN002A00	Smoke Detector Control Module	ALL	
CRSMKKIT002A00	Smoke Detector Control Module (Smoke Detector Sensor with sampling tube & exhaust tube)	ALL	
DNWINSTR001A00	Winter Start Kit - Contains time delay relay for timed bypass of low pressure switch on startup	ALL	
Propane GAS CONVERSION KITS			
CRLPKIT9001A00	Propane Conversion kit. for use between 0' to 2,000'	ALL	
CRLPELEV005A00	Propane and Hi Altitude conversion kit. for use between 2001' to 10,000'	ALL	
CRLPELEV006A00	Propane and Hi Altitude conversion kit. for use between 10,001' to 14,000'	ALL	
NATURAL GAS HIGH ALTITUDE CONVERSION KITS			
CRNGELEV001A00	High Altitude Conversion kit. for use between 3,000' to 10,000'	ALL	
CRNGELEV002A00	High Altitude Conversion kit. for use between 10,001' to 14,000'	ALL	
HEATING UPGRADE KITS			
CRFLUEDS006A00	Flue Discharge Deflector	ALL	
4 FILTER TRACK UPGRADE KIT			
CRFLTTRK001A00	4 Field Conversion Kit	ALL	
HAIL GUARDS			
CRLVHLGD017A00	Louvered Condenser Coil Hail Guard	210/213	
CRLVHLGD027A00	Louvered Condenser Coil Hail Guard	240/243	
CRLVHLGD028A00	Louvered Condenser Coil Hail Guard	300/303	
CRLVHLGD029A00	Louvered Condenser Coil Hail Guard	336/333	

REFER TO PRODUCT SPECIFICATIONS FOR EXACT ACCESSORY MATCH.

Accessory Model Number	Description	Use With	Notes
CURBS			
CRRFCURB001A01	14" High Roof Curb. Ductwork attaches to the roof curb. Includes thru-the-bottom capability.	036 - 060	
CRRFCURB003A01		072 - 102	
CRRFCURB072A00		120	
CRRFCURB002A01	24" High Roof Curb. Ductwork attaches to the roof curb. Includes thru-the-bottom capability.	036 - 060	
CRRFCURB004A01		072 - 102	
CRRFCURB073A00		120	
ECONOMIZERS			
DNECOMZR020A02	Vertical Economizer IV with solid-state controller, gear-driven, 3-position modulating damper, spring return actuator, up to 100% barometric relief, supply and outdoor air sensors, and CO2 sensor compatible.	036 - 060	
DNECOMZR021A03		072 - 102	
DNECOMZR062A00		120	
CRECOMZR069A00 ^{1,2}	Ultra Low Leak ³ Vertical Economizer X with solid-state W7220 controller, gear-driven, modulating damper, spring return actuator, up to 100% barometric relief, supply and outdoor air sensors, and CO2 sensor compatible, for use in electro mechanical controls only.	090 - 102	
CRECOMZR071A00 ^{1,2}	Ultra Low Leak ³ Vertical Economizer X with solid-state W7220 controller, gear-driven, modulating damper, spring return actuator, up to 100% barometric relief, supply and outdoor air sensors, and CO2 sensor compatible, for use in electro mechanical controls only.	120	
DNECOMZR024A02	Horizontal Economizer IV with solid-state controller, gear-driven, 3-position modulating damper, spring return actuator, up to 100% barometric relief, supply and outdoor air sensors, and CO2 sensor compatible.	036 - 060	
DNECOMZR025A02		072 - 102	
DNECOMZR064A00		120	
¹ Economizer X cannot be installwith Economizer IV, manual damper, or motorized damper. ² Can only be used on electricl mechanical units with 2-stage cooling and 2-speed fan control. ³ Economizer X is currently only available on vertical air flow configuration models.			
ECONOMIZER SENSORS			
DNTEMPSN002A00	Outdoor or Return Dry Bulb Sensor used with Electro-Mechanical Control	Economizer IV	
DNCBDIOX005A00	CO2 Sensor for use in return airstream. Also includes Aspirator Box required for Duct Mounting.	Economizer IV & X	
DNENTDIF004A00	Return Air Enthalpy Sensor used with Electro-Mechanical controls, use with AX078ENT for differential enthalpy control	Economizer IV	
AXB078ENT	Economizer Differential Enthalpy Control Upgrade	Economizer IV	
--HH--57AC-081	Enthalpy control for W7220 controller only. (One required for single enthalpy, two required for differential enthalpy)	Economizer X	
CRTEMPSN005A00	Outdoor or Return Dry Bulb Sensor used with Honeywell W7220 Electro-Mechanical Control	Economizer X	
NOTE: Supply air temperature sensor (SAT & low ambient lockout switch) provided with Economizer IV & X			
575V TRANSFORMER			
1171494 ¹	Transformer for conversion from 575v to 208/230v power exhaust applications.	036 - 102	

continued on next page

RHH036-120

Single and Dual Compressor Models (cont.)

Accessories

Accessory Model Number	Description	Use With	Notes
POWER EXHAUST			
DNPWREXH030A01	Vertical Power Exhaust 208/230 volt (1 or 3 Phase)	036 - 060	
DNPWREXH021A01	Vertical Power Exhaust 460 volt	036 - 060	
DNPWREXH022A01	Vertical Power Exhaust 208/230 volt	072 - 102	
DNPWREXH023A01	Vertical Power Exhaust 460 volt	072 - 102	
DNPWREXH080A00	Vertical Power Exhaust 208/230 volt	120	
DNPWREXH081A00	Vertical Power Exhaust 460 volt	120	
DNPWREXH028A01	Horizontal Power Exhaust 208/230 (1 or 3 Phase) & 575 volt	036 - 102	
DNPWREXH029A01	Horizontal Power Exhaust 460 volt	036 - 102	
DNPWREXH082A00	Horizontal Power Exhaust 208/230 & 575 volt	120	
DNPWREXH083A00	Horizontal Power Exhaust 460 volt	120	
MANUAL OUTDOOR AIR DAMPERS			
CRMANDPR001A03	25% Open Manual Fresh Air Damper	036 - 060	
CRMANDPR001A02	50% Open Manual Fresh Air Damper	036 - 060	
CRMANDPR002A03	25% Open Manual Fresh Air Damper	072 - 102	
CRMANDPR002A02	50% Open Manual Fresh Air Damper	072 - 102	
CRMANDPR011A02	50% Open Manual Fresh Air Damper	120	
MOTORIZED OUTDOOR AIR DAMPERS			
CRTWOPOS010A00	Motorized 2 position outdoor air damper (25-100% Outdoor Air)	036 - 060	
CRTWOPOS011A00	Motorized 2 position outdoor air damper	072 - 102	
CRTWOPOS014A00	Motorized 2 position outdoor air damper	120	
ACCESSORY KITS FOR UNITS WITH HINGED ACCESS PANELS			
DNHNGPNL001A00	Vertical accessory kit. Required when field installing a two position damper or vertical economizer. Includes angle and seal strip.	036 - 060	
DNHNGPNL002A00		072 - 102	
CREPCONV007A00	Vertical and Horizontal accessory kit is required when field installing a 2-position damper or vertical or horizontal economizer on a unit that has hinged access panels. Includes door panel, angle and seal strip.	120	
DNPECONV003A00	Horizontal accessory kit. Required when field installing a two position damper or vertical economizer. Includes door panel, angle and seal strip	036 - 060	
DNPECONV004A00		072 - 102	

¹Available from FAST Parts.

continued on next page

RHH036-120

Single and Dual Compressor Models (cont.)

Accessories

Accessory Model Number	Description	Use With	Notes
LOW AMBIENT CONTROLS *			
32LT900301 ¹	Motormaster I -20°F (-29°C) Low Ambient Control 208/230-1-60, 208/203-3-60	036 - 102	
32LT900611 ¹	Motormaster I -20°F (-29°C) Low Ambient Control 460-3-60, 575-3-60	036 - 102	
1178185 ²	Motormaster I Compatible Condenser Fan Motor	36	
1178186 ²	Motormaster I Compatible Condenser Fan Motor	36	
1171974 ²	Motormaster I Compatible Condenser Fan Motor	048 - 102 208/230-3-60	
1171975 ²	Motormaster I Compatible Condenser Fan Motor	048 - 102 460-3-60, 575-3-60	
CRLOWAMB030A00 ³	Motormaster V Low Ambient Control Mechanical cooling operation down to -20°F (-29°C)	102, 208/230-3-60	
CRLOWAMB031A00 ³		102, 460-3-60	
CRLOWAMB032A00 ³		102, 575-3-60	
CRLOWAMB039A00	Motormaster I Low Ambient Kit. Mechanical cooling operation down to -20° F (- 29° C)	120 208/203-3-60	
CRLOWAMB040A00		120 460-3-60	
CRWHPKT001A00	Low Ambient Heat Pump Relay Kit provides the relay and hardware required for heat pump duty Motor Master 1 operation. All voltages.	120	
CRTRXKIT002A00	Motormaster I Low Ambient control - Transformer kit. Must be used in conjunction with Low Ambient Controller if used on 575v models.	120	
THROUGH-THE-BOTTOM/CURB POWER CONNECTION			
CRBTMPWR001A01	Thru-the-bottom electrical connections and thru-the-curb gas connections. Includes 3/4-inch diameter liquid tight conduit fitting for high voltage power wires.	036 - 060	
CRBTMPWR002A01	Thru-the-bottom electrical connections and thru-the-curb gas connections. Includes 1-1/4-inch diameter liquid tight conduit fitting for high voltage power wires.	072 - 102	
CRBTMPWR003A01	Thru-the-bottom power, control, and gas connections. Includes 3/4-inch diameter liquid tight conduit fitting for high voltage power wires.	036 - 060	
CRBTMPWR004A01	Thru-the-bottom power, control, and gas connections. Includes 1-1/4-inch diameter liquid tight conduit fitting for high voltage power wires.	072 - 102	
CRBTMPWR005A01	Thru-the-bottom power, control, and gas connections. Includes 1-1/4 inch diameter liquid tight conduit fitting for high voltage power wires.	120	
CRBTMPWR006A01	Thru-the-bottom power, control, and gas connections. Includes 1-1/2 inch diameter liquid tight conduit fitting for high voltage power wires.	120	
CRBTMPWR007A01	Thru-the-bottom power, control, and gas connections. Includes 2 inch diameter liquid tight conduit fitting for high voltage power wires.	120	

*See usage tables in kit instructions.

¹ Requires motor change out² Available from FAST Parts.

Note: Sizes 036-072 requires (1) low ambient controller and (1) compatible condenser fan motor for change out.

Size 090 requires (1) low ambient controllers and (2) compatible condenser fan motors for change out.

³ No motor change is required on these specific models.

continued on next page

RHH036-120

Single and Dual Compressor Models (cont.)

Accessories

Accessory Model Number	Description	Use With	Notes
CONTROL UPGRADE KITS			
DNWINSTR001A00	Electronic phase monitor breaks "R" control signal if trouble is detected.(Allows operation down to 25°F (-4°C) from standard 40°F (4°C))	036 - 102	
CRSTATUS001A00	Fan/Filter Status Switch	036 - 102	
NRTIMEGD001A00	Time Guard II	036 - 102	
CRDISKIT001A00	2-Speed VFD display kit provides the field capability to set up points and troubleshooting codes on VFD controller.	All 2-speed controllers	
CRPHASE3001A02	Electronic Phase Monitor - All 208/230/460-3-60 models	036 - 102	
CRPHASE3002A00	Electronic Phase Monitor - All 575-3-60 models	036 - 102	
SPECIAL - 120 SIZE SPECIFIC ACCESSORIES			
CRDISBKT001A00	Disconnect Switch Bracket - Provides a pre engineered and sized mounting bracket for applications requiring a unit mounted fused disconnect of greater than 100 amps.	120	
CRDUCTCV001A00	Supply Duct Cover - This supply duct cover is required when field converting the factory standard vertical duct supply to horizontal duct supply configuration.	120	
LOUVERED HAIL GUARDS - CONDENSER COIL			
CRLVHLGD012A00	Louvered Condenser Coil Hail Guard	036	
CRLVHLGD013A00	Louvered Condenser Coil Hail Guard	048-060	
CRLVHLGD014A00	Louvered Condenser Coil Hail Guard	072	
CRLVHLGD016A00	Louvered Condenser Coil Hail Guard	90 - 102	
CRLVHLGD032A00	Louvered Condenser Coil Hail Guard	120	

² Available from FAST Parts.

REFER TO PRODUCT SPECIFICATIONS FOR EXACT ACCESSORY MATCH.

Accessory Model Number	Description	Use With	Notes
CURBS			
CRRFCURB001A01	14" High Roof Curb. Ductwork attaches to the roof curb. Includes thru-the-bottom capability.	036 - 072	
CRRFCURB003A01		090 - 120	
CRRFCURB002A01	24" High Roof Curb. Ductwork attaches to the roof curb. Includes thru-the-bottom capability.	036 - 072	
CRRFCURB004A01		090 - 120	
CRRFCURB072A00	14" High Roof Curb. Ductwork attaches to the roof curb. Includes thru-the-bottom capability.	150	
CRRFCURB073A00	24" High Roof Curb. Ductwork attaches to the roof curb. Includes thru-the-bottom capability.	150	
ECONOMIZERS			
DNECOMZR020A02	Vertical Economizer IV with solid-state controller, gear-driven, 3-position modulating damper, spring return actuator, up to 100% barometric relief, supply and outdoor air sensors, and CO2 sensor compatible.	036 - 072	
DNECOMZR021A03		090 - 120	
DNECOMZR062A00		150	
CRECOMZR069A00 ^{1,2}	Ultra Low Leak ³ Vertical Economizer X with solid-state W7220 controller, gear-driven, modulating damper, spring return actuator, up to 100% barometric relief, supply and outdoor air sensors, and CO2 sensor compatible, for use in electro mechanical controls only.	090 - 120	
CRECOMZR071A00 ^{1,2}	Ultra Low Leak ³ Vertical Economizer X with solid-state W7220 controller, gear-driven, modulating damper, spring return actuator, up to 100% barometric relief, supply and outdoor air sensors, and CO2 sensor compatible, for use in electro mechanical controls only.	150	
DNECOMZR024A02	Horizontal Economizer IV with solid-state controller, gear-driven, 3-position modulating damper, spring return actuator, up to 100% barometric relief, supply and outdoor air sensors, and CO2 sensor compatible.	036 - 072	
DNECOMZR025A02		090 - 120	
DNECOMZR064A00		150	
¹ Economizer X cannot be installwith Economizer IV, manual damper, or motorized damper.			
² Can only be used on electrical mechanical units with 2-stage cooling and 2-speed fan control			
³ Economizer X is currently only available on vertical air flow configuration models			
ECONOMIZER SENSORS			
DNTEMPSN002A00	Outdoor or Return Dry Bulb Sensor used with Electro-Mechanical Control	Economizer IV	
DNCBDIOX005A00	CO2 Sensor for use in return airstream. Also includes Aspirator Box required for Duct Mounting.	Economizer IV & X	
DNENTDIF004A00	Return Air Enthalpy Sensor used with Electro-Mechanical controls, use with AX078ENT for differential enthalpy control	Economizer IV	
AXB078ENT	Economizer Differential Enthalpy Control Upgrade	Economizer IV	
--HH--57AC-081	Enthalpy control for W7220 controller only. (One required for single enthalpy, two required for differential enthalpy)	Economizer X	
CRTEMPSN005A00	Outdoor or Return Dry Bulb Sensor used with Honeywell W7220 Electro-Mechanical Control	Economizer X	
NOTE: Supply air temperature sensor (SAT & low ambient lockout switch) provided with Economizer IV & X			
POWER EXHAUST			
DNPWREXH030A01	Vertical Power Exhaust 208/230 volt (1 or 3 Phase)	036 - 072	
DNPWREXH021A01	Vertical Power Exhaust 460 volt	036 - 072	
DNPWREXH022A01	Vertical Power Exhaust 208/230 volt (3 Phase)	090 - 120	
DNPWREXH023A01	Vertical Power Exhaust 460 volt	090 - 120	

continued on next page

Accessory Model Number	Description	Use With	Notes
POWER EXHAUST (continued)			
DNPWREXH080A00	Vertical Power Exhaust 208/230 & 575 volt	150	
DNPWREXH081A00	Vertical Power Exhaust 460 volt	150	
DNPWREXH028A01	Horizontal Power Exhaust 208/230 & 575 volt (1 or 3 Phase)	036 - 120	
DNPWREXH029A01	Horizontal Power Exhaust 460 volt	036 - 120	
DNPWREXH082A00	Horizontal Power Exhaust 208/230 & 575 volt	150	
DNPWREXH083A00	Horizontal Power Exhaust 460 volt	150	
575V TRANSFORMER			
1171494 ²	Transformer for conversion from 575v to 208/230v power exhaust applications.	036 - 150	
MANUAL OUTDOOR AIR DAMPERS			
CRMANDPR001A03	25% Open Manual Fresh Air Damper	036 - 072	
CRMANDPR001A02	50% Open Manual Fresh Air Damper	036 - 072	
CRMANDPR002A03	25% Open Manual Fresh Air Damper	090 - 120	
CRMANDPR002A02	50% Open Manual Fresh Air Damper	090 - 120	
CRMANDPR011A00	50% Open Manual Fresh Air Damper	150	
MOTORIZED OUTDOOR AIR DAMPERS			
CRTWOPOS010A00	2 position outdoor air damper (25-100% Outdoor Air)	036 - 072	
CRTWOPOS011A00	2 position outdoor air damper (25-100% Outdoor Air)	090 - 120	
CRTWOPOS014A00	2 position outdoor air damper (25-100% Outdoor Air)	150	
LOW AMBIENT CONTROLS*			
32LT900301 ¹	Motormaster I -20°F (-29°C) Low Ambient Control 208/230-1-60, 208/203-3-60	036 - 120	
32LT900611 ¹	Motormaster I -20°F (-29°C) Low Ambient Control 460-3-60, 575-3-60	036 - 120	
1178185 ²	Motormaster I Compatible Condenser Fan Motor 208/230-1-60, 208/203-3-60, 575-3-60	36	
1178186 ²	Motormaster I Compatible Condenser Fan Motor 460-3-60	36	
1171974 ²	Motormaster I Compatible Condenser Fan Motor 208/230-1-60, 208/203-3-60, 575-3-60	048 - 102	
1171975 ²	Motormaster I Compatible Condenser Fan Motor 460-3-60	048 - 102	
CPLOWAMB001A00	Motormaster II 0°F (-17°C) Low Ambient Control 208/230-1, 208/230-3, 460-3-60	036 - 120	
CRLOWAMB030A00 ³	Motormaster V Low Ambient Kit. Mechanical cooling operation down to -20° F (- 29° C)	120 208/203-3-60	
CRLOWAMB031A00 ³		120 460-3-60	
CRLOWAMB032A00 ³		120 575-3-60	
CRLOWAMB039A00	Motormaster I Low Ambient Kit. Mechanical cooling operation down to -20° F (- 29° C). Kit includes 3 motors, MotorMaster controller, wiring label, and required wire ties and connectors. CRLWHPK001A00 also required.	150 208/230-3-60	
CRLOWAMB040A00	Motormaster I Low Ambient Kit. Mechanical cooling operation down to -20° F (- 29° C). Kit includes 3 motors, MotorMaster controller, wiring label, and required wire ties and connectors) 575 Volt models also require CRTRXKIT002A00. CRLWHPK001A00 also required	150 460-3-60 575-3-60	
CRLWHPKT001A00	Low Ambient Heat Pump Relay Kit - This kit provides the necessary relay and hardware required for heat pump duty MotorMaster I operation. (Includes relay and relay base.)	All 150 sizes	
CRTRXKIT002A00	Motormaster I Low Ambient Control - Transformer Kit. Must use in conjunction with CRLOWAMB040A00 if used on 575-3-60 volt models.	150 575-3-60	

continued on next page

Accessory Model Number	Description	Use With	Notes
THROUGH-THE-BOTTOM/CURB POWER CONNECTION			
CRBTMPWR001A01	Thru-the-bottom electrical connections and thru-the-curb gas connections	036 - 072	
CRBTMPWR002A01		090 - 120	
CRBTMPWR003A01	Thru-the bottom power, control and gas connections	036 - 072	
CRBTMPWR004A01		090 - 120	
CRBTMPWR005A00	Thru-the bottom power, control and gas connections	150	
CRBTMPWR006A00		150	
CRBTMPWR007A00		150	

*See usage tables in kit instructions.

¹ Requires motor change out.

² Available from FAST Parts.

³ No motor change is required on these specific models

CONTROL UPGRADE KITS			
DNWINSTR001A00	Electronic phase monitor breaks "R" control signal if trouble is detected.(Allows operation down to 25°F (-4°C) from standard 40°F (4°C))	036 - 180	
CRSTATUS001A00	Fan/Filter Status Switch	036 - 150	
NRTIMEGD001A00	Time Guard II	036 - 150	
CRSDTEST001A00 ²	Remote keyed attenuator / test / reset station	036 - 150	
CRPHASE3001A02	Electronic Phase Monitor - All 208/230/460-3-60 models	036 - 150	
CRPHASE3002A02	Electronic Phase Monitor - All 575-3-60 models	036 - 150	
HAIL GUARDS			
CRLVHLGD011A00	Louvered Condenser Coil Hail Guard	036	
CRLVHLGD012A00	Louvered Condenser Coil Hail Guard	048	
CRLVHLGD023A00	Louvered Condenser Coil Hail Guard	060	
CRLVHLGD013A00	Louvered Condenser Coil Hail Guard	072	
CRLVHLGD004A00	Louvered Condenser Coil Hail Guard	090 - 120	
CRLVHLGD024A00	Louvered Condenser Coil Hail Guard	150	
RHS150 Specific Accessories			
CRDISBKT001A00	Disconnect Switch Bracket	150	
CRDUCTCV001A00	Supply Duct Cover	150	

REFER TO PRODUCT SPECIFICATIONS FOR EXACT ACCESSORY MATCH.

Accessory Model Number	Description	Use With	Notes
FLAT ROOF CURBS*			
CRRFCURB045A00	14" High Roof Curb	181 - 213	
CRRFCURB047A00	14" High Roof Curb	240 - 243	
CRRFCURB046A00	24" High Roof Curb	181 - 213	
CRRFCURB048A00	24" High Roof Curb	240 - 243	
* Includes thru-the-bottom capability			
ECONOMIZERS IV			
DNECOMZR052A00	Vertical and Horizontal Economizer IV with solid-state controller, gear-driven, modulating damper, spring return actuator, up to 100% barometric relief, supply and outdoor air sensors, and CO2 sensor compatible.	181-243	
NOTE: Barometric relief must be installed in return ductwork on horizontal configured models (182, 243)			
ECONOMIZERS X			
CRECOMZR074A00 ^{1,2}	Ultra Low Leak ³ Vertical and Horizontal Economizer X with solid-state controller, gear-driven, modulating damper, spring return actuator, up to 100% barometric relief, supply and outdoor air sensors, and CO2 sensor compatible.	210/213 - 240/243	
¹ Economizer X cannot be install with Economizer IV, manual damper, or motorized damper.			
² Can only be used on electrical mechanical units with 2-stage cooling and 2-speed fan control.			
ECONOMIZER SENSORS			
DNTEMPSN002A00	Outdoor or Return Dry Bulb Sensor used with Electro-Mechanical Control	Economizer IV	
DNCBDIOX005A00	CO2 Sensor for use in return airstream. Also includes Aspirator Box required for Duct Mounting.	Economizer IV & X	
DNENTDIF004A00	Return Air Enthalpy Sensor used with Electro-Mechanical controls, use with AX078ENT for differential enthalpy control	Economizer IV	
AXB078ENT	Economizer Differential Enthalpy Control Upgrade	Economizer IV	
--HH--57AC-081	Enthalpy control for W7220 controller only. (One required for single enthalpy, two required for differential enthalpy)	Economizer X	
CRTEMPSN005A00	Outdoor or Return Dry Bulb Sensor used with Honeywell W7220 Electro-Mechanical Control	Economizer X	
NOTE: Supply air temperature sensor (SAT & low ambient lockout switch) provided with Economizer IV & X			
BAROMETRIC RELIEF HOOD			
CRBARHOD001A00	For horizontal economizer applications where relief damper is installed in duct work, this kit provides needed protection	183 & 243	
POWER EXHAUST*			
CRPWREXH068A00	Vertical and Horizontal, 208/230-3-60	181-243	
CRPWREXH069A00	Vertical and Horizontal, 460-3-60	181-243	
CRPWREXH070A00	Vertical and Horizontal, 575-3-60	181-243	
* When power exhaust is used on horizontal applications, it must be field mounted to the side of the return duct.			
MANUAL OUTDOOR AIR DAMPERS			
CRMANDPR009A00	25% Open Manual Fresh Air Damper	181 - 243	
MOTORIZED OUTDOOR AIR DAMPERS			
CRTWOPOS012A00	Motorized 2 position outdoor air damper	181 - 243	
LOW AMBIENT CONTROLS			
CRLOWAMB041A00	Motormaster I -20°F (-29°C) Low Ambient Control 208/230-3-60	181-243	

continued on next page

Accessory Model Number	Description	Use With	Notes
LOW AMBIENT CONTROLS (continued)			
CRLOWAMB042A00	Motormaster I -20°F (-29°C) Low Ambient Control 460-3-60, 575-3-60	181-243	
CRTRXKIT001A00	Motormaster I -20°F (-29°C)Transformer 575-3-60 ¹	181-243	
¹ Must use in conjunction with CRLOWAMB028A00 if used on 575-3-60 models.			
CONTROL UPGRADE KITS			
NRTIMEGD001A00	Time Guard II	181-243	
CRSDTEST001A00	Smoke detector remote Test/Reset/Alarm indicator kit	181-243	
CRPHASE3001A02	Electronic Phase Monitor - All 208/230/460-3-60 models	181-243	
CRPHASE3002A00	Electronic Phase Monitor - All 575-3-60 models	181-243	
CRSTATUS005A00	Fan/filter Status Switch - Indicator light not included	181-243	
CRSMKSEN002A00	Smoke Detector Control Module	181-243	
CRSMKKIT002A00	Smoke Detector Control Module (Smoke Detector Sensor with sampling tube & exhaust tube)	181-243	
4 FILTER TRACK UPGRADE KIT			
CRFLTTRK001A00	4 Field Conversion Kit	181-243	
HAIL GUARDS			
CRLVHLGD017A00	Louvered Condenser Coil Hail Guard	181/183	
CRLVHLGD018A00	Louvered Condenser Coil Hail Guard	240/243	

REFER TO PRODUCT SPECIFICATIONS FOR EXACT ACCESSORY MATCH.

ELECTRIC HEATERS & SINGLE POINT CONNECTIONS

RAH036-150				
Model Number	Voltage	Nom. Power (kW)	Used With	Notes
CRHEATER101A00	208/230	4.4	036, 048	
CRHEATER102A00	208/230	6.5	036, 048, 060	
CRHEATER103B00	208/230	8.7	036, 048, 060	
CRHEATER104B00	208/230	10.5	036, 048, 060	
CRHEATER105A00	208/230	16.0	036, 048, 060	
CRHEATER106A00	460	6.0	036, 048, 060	
CRHEATER107A00	460	8.8	036	
CRHEATER108A00	460	11.5	036, 048, 060	
CRHEATER109A00	460	14.0	036, 048, 060	
CRHEATER110A00	208/230	16.0	072, 090, 102, 120	
CRHEATER111A00	208/230	24.8	090, 102	
CRHEATER112A00	208/230	32.0	090, 102, 120	
CRHEATER113A00	460	16.5	090, 102, 120	
CRHEATER114A00	460	27.8	090, 102, 120	
CRHEATER115A00	460	33.0	090, 102, 120	
CRHEATER116A00	460	13.9	090, 102, 120	
CRHEATER117A00	208/230	10.4	072, 090, 102, 120	
CRHEATER118A00	575	17.0	090, 102, 120	
CRHEATER119A00	575	34.0	090, 102, 120	
CRHEATER264A00	208/230	6.5	072	
CRHEATER265A00	460	6.0	072	
CRHEATER266A00	460	11.5	072	
CRHEATER267A00	460	14.0	072	
CRHEATER268A00	460	23.0	072	
CRHEATER269A00	460	25.5	072	
CRHEATER288A00	208/230	10.0	150	
CRHEATER289A00	460	10.0	150	
CRHEATER290A00	575	10.0	150	
CRHEATER291A00	208/230	16.5	150	
CRHEATER292A00	460	16.5	150	
CRHEATER293A00	575	16.5	150	
CRHEATER294A00	208/230	33.5	150	
CRHEATER295A00	460	33.5	150	
CRHEATER296A00	575	33.5	150	
RHH036-120				
Model Number	Voltage	Nom. Power (kW)	Used With	Notes
CRHEATER101A00	208/230	4.4	036, 048	
CRHEATER102A00	208/230	6.5	036, 048, 060	
CRHEATER103B00	208/230	8.7	036, 048, 060	
CRHEATER104B00	208/230	10.5	036, 048, 060	
CRHEATER105A00	208/230	16.0	036, 048, 060	
CRHEATER106A00	460	6.0	036, 048, 060	
CRHEATER107A00	460	8.8	036	
CRHEATER108A00	460	11.5	036, 048, 060	
CRHEATER109A00	460	14.0	036, 048, 060	
CRHEATER110A00	208/230	16.0	072, 090, 102	
CRHEATER111A00	208/230	24.8	090, 102	
CRHEATER112A00	208/230	32.0	090, 102	
CRHEATER113A00	460	16.5	090, 102	
CRHEATER114A00	460	27.8	090, 102	
CRHEATER115A00	460	33.0	090, 102	

continued on next page

ELECTRIC HEATERS & SINGLE POINT CONNECTIONS

RHH036-120 (cont.)				
Model Number	Voltage	Nom. Power (kW)	Used With	Notes
CRHEATER116A00	460	13.9	090, 102	
CRHEATER117A00	208/230	10.4	072, 090, 102	
CRHEATER118A00	575	17.0	090, 102	
CRHEATER119A00	575	34.0	090, 102	
CRHEATER264A00	208/230	6.5	072	
CRHEATER265A00	460	6.0	072	
CRHEATER266A00	460	11.5	072	
CRHEATER267A00	460	14.0	072	
CRHEATER268A00	460	23.0	072	
CRHEATER269A00	460	25.5	072	
CRHEATER288A00	208/230	10.0	120	
CRHEATER289A00	460	10.0	120	
CRHEATER290A00	575	10.0	120	
CRHEATER291A00	208/230	16.5	120	
CRHEATER292A00	460	16.5	120	
CRHEATER293A00	575	16.5	120	
CRHEATER294A00	208/230	33.5	120	
CRHEATER295A00	460	33.5	120	
CRHEATER296A00	575	33.5	120	
RAH181-303				
Model Number	Voltage	Nom. Power (kW)	Used With Horizontal Duct Configuration	Notes
CRHEATER270A00	208/230	25.0	183, 213, 243, 303	
CRHEATER271A00	208/230	50.0	183, 213, 243, 303	
CRHEATER272A00	208/230	75.0	183, 213, 243, 303	
CRHEATER273A00	460	25.0	183, 213, 243, 303	
CRHEATER274A00	460	50.0	183, 213, 243, 303	
CRHEATER275A00	460	75.0	183, 213, 243, 303	
CRHEATER276A00	575	24.8	183, 213, 243, 303	
CRHEATER277A00	575	49.6	183, 213, 243, 303	
CRHEATER278A00	575	74.4	183, 213, 243, 303	
Model Number	Voltage	Nom. Power (kW)	Used With Vertical Duct Configuration	Notes
CRHEATER279A00	208/230	25.0	181, 210, 240 300	
CRHEATER280A00	208/230	50.0	181, 210, 240 300	
CRHEATER281A00	208/230	75.0	181, 210, 240 300	
CRHEATER282A00	460	25.0	181, 210, 240 300	
CRHEATER283A00	460	50.0	181, 210, 240 300	
CRHEATER284A00	460	75.0	181, 210, 240 300	
CRHEATER285A00	575	24.8	181, 210, 240 300	
CRHEATER286A00	575	49.6	181, 210, 240 300	
CRHEATER287A00	575	74.4	181, 210, 240 300	

continued on next page

ELECTRIC HEATERS & SINGLE POINT CONNECTIONS

SINGLE POINT CONNECTION	
RAH Models	Notes
CRSINGLE037A00	
CRSINGLE038A00	
CRSINGLE040A00	
CRSINGLE042A00	
CRSINGLE043A00	
CRSINGLE047A00	
CRSINGLE049A00	
CRSINGLE050A00	
CRSINGLE051A00	
SINGLE POINT CONNECTION (Cont.)	
RHH Models	Notes
CRSINGLE037A00	
CRSINGLE038A00	
CRSINGLE039A00	
CRSINGLE040A00	
CRSINGLE041A00	
CRSINGLE042A00	
CRSINGLE043A00	
CRSINGLE045A00	
CRSINGLE047A00	
CRSINGLE049A00	
CRSINGLE050A00	
CRSINGLE051A00	
CRSINGLE052A00	
CRSINGLE053A00	
RAH181-303 Models	Notes
CRSINGLE056A00	
CRSINGLE057A00	

REFER TO PRODUCT SPECIFICATIONS FOR ELECTRIC HEATER USAGE, KW,
AND EXACT ACCESSORY MATCH.

ELECTRIC HEATERS & SINGLE POINT CONNECTIONS

RAS036-150, RHS036-120				
Model Number	Voltage	Nom. Power (kW)	Used With	Notes
CRHEATER101A00	208/230	4.4	036, 048, 060, 072	
CRHEATER102A00	208/230	6.5	036, 048, 060, 072	
CRHEATER103B00	208/230	8.7	036, 048, 060	
CRHEATER104B00	208/230	10.5	036, 048, 060, 072	
CRHEATER105A00	208/230	16.0	036, 048, 060, 072	
CRHEATER106A00	460	6.0	036, 048, 060, 072	
CRHEATER107A00	460	8.8	036	
CRHEATER108A00	460	11.5	036, 048, 060, 072	
CRHEATER109A00	460	14.0	036, 048, 060, 072	
CRHEATER110A00	208/230	16.0	090, 091, 101, 120, 121, 150	
CRHEATER111A00	208/230	24.8	090, 091, 101, 121	
CRHEATER112A00	208/230	32.0	090, 091, 101, 120, 121, 150	
CRHEATER113A00	460	16.5	090, 091, 101, 120, 121, 150	
CRHEATER114A00	460	27.8	090, 091, 101, 120, 121, 150	
CRHEATER115A00	460	33.0	090, 091, 101, 120, 121, 150	
CRHEATER116A00	460	13.9	090, 091, 101, 120, 121, 150	
CRHEATER117A00	208/230	10.4	090, 091, 101, 120, 121, 150	
CRHEATER118A00	575	17.0	090, 091, 101, 120, 121, 150	
CRHEATER119A00	575	34.0	090, 091, 101, 120, 121, 150	
RAS180, RHS150				
Model Number	Voltage	(kW)	Used With	Notes
CRHEATER288A00	208/230	26.5	180	
CRHEATER289A00	460	26.5	180	
CRHEATER290A00	575	26.5	180	
CRHEATER291A00	208/230	16.5	180	
CRHEATER292A00	460	16.5	180	
CRHEATER293A00	575	16.5	180	
CRHEATER294A00	208/230	33.5	180	
CRHEATER295A00	460	33.5	180	
CRHEATER296A00	575	33.5	180	
RAS210-303, RHS181-243				
Model Number	Voltage	(kW)	Used With Horizontal Duct Configuration	Notes
CRHEATER270A00	208/230	25.0	183, 213, 243, 303	
CRHEATER271A00	208/230	50.0	183, 213, 243, 303	
CRHEATER272A00	208/230	75.0	183, 213, 243, 303	
CRHEATER273A00	460	25.0	183, 213, 243, 303	
CRHEATER274A00	460	50.0	183, 213, 243, 303	
CRHEATER275A00	460	75.0	183, 213, 243, 303	
CRHEATER276A00	575	24.8	183, 213, 243, 303	
CRHEATER277A00	575	49.6	183, 213, 243, 303	
CRHEATER278A00	575	74.4	183, 213, 243, 303	
Model Number	Voltage	(kW)	Used With Vertical Duct Configuration	Notes
CRHEATER279A00	208/230	25.0	181, 210, 240 300	
CRHEATER280A00	208/230	50.0	181, 210, 240 300	
CRHEATER281A00	208/230	75.0	181, 210, 240 300	
CRHEATER282A00	460	25.0	181, 210, 240 300	
CRHEATER283A00	460	50.0	181, 210, 240 300	
CRHEATER284A00	460	75.0	181, 210, 240 300	
CRHEATER285A00	575	24.8	181, 210, 240 300	
CRHEATER286A00	575	49.6	181, 210, 240 300	
CRHEATER287A00	575	74.4	181, 210, 240 300	

NOTE: RAS181 and RAS183 no longer available

continued on next page

ELECTRIC HEATERS & SINGLE POINT CONNECTIONS

SINGLE POINT CONNECTION	
RAS036-180 Models	Notes
CRSINGLE037A00	
CRSINGLE038A00	
CRSINGLE040A00	
CRSINGLE042A00	
CRSINGLE043A00	
CRSINGLE044A00	
CRSINGLE045A00	
CRSINGLE047A00	
CRSINGLE049A00	
CRSINGLE050A00	
CRSINGLE051A00	
CRSINGLE053A00	
RHS036-150 Models	Notes
CRSINGLE037A00	
CRSINGLE038A00	
CRSINGLE039A00	
CRSINGLE040A00	
CRSINGLE041A00	
CRSINGLE047A00	
CRSINGLE049A00	
CRSINGLE050A00	
CRSINGLE051A00	
CRSINGLE052A00	
CRSINGLE053A00	
CRSINGLE054A00	
RAS181-303 Models	Notes
CRSINGLE056A00	
RHS181-243 Models	Notes
CRSINGLE056A00	
CRSINGLE057A00	

REFER TO PRODUCT SPECIFICATIONS FOR ELECTRIC HEATER USAGE, kW,
AND EXACT ACCESSORY MATCH.