

EFFICIENT 13 SEER AIR CONDITIONER ENVIRONMENTALLY SOUND R-410A REFRIGERANT

1½ THRU 5 TONS SPLIT SYSTEM

208 / 230 Volt, 1-phase, 60 Hz

REFRIGERATION CIRCUIT

- Copeland® compressors on all models
- Filter-Drier supplied with every unit for field installation
- Copper tube / aluminum fin coil

EASY TO INSTALL AND SERVICE

- Easy Access service valves on all models
- External high and low refrigerant service ports
- Only two screws to access control panel
- Factory charged with R-410A refrigerant

BUILT TO LAST

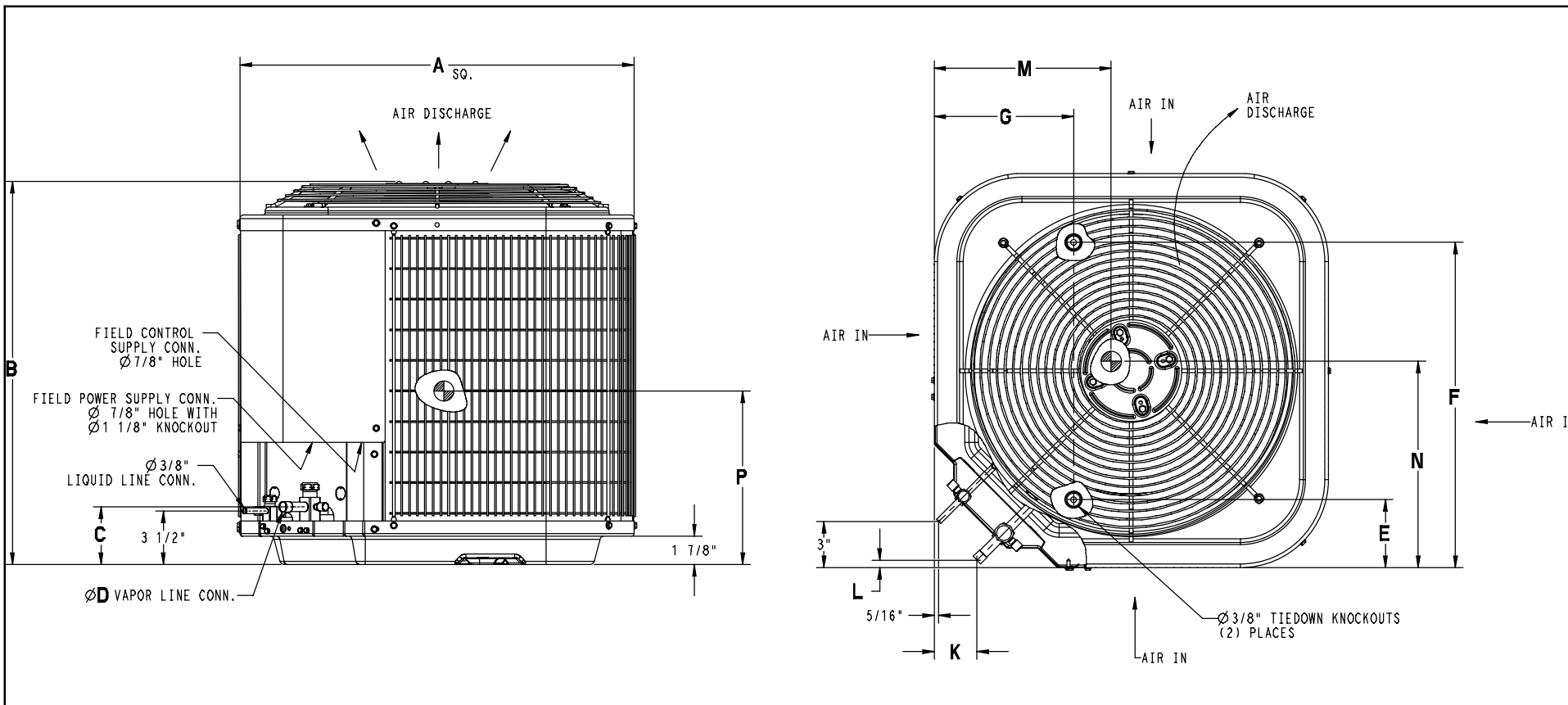
- Baked-on powder coat finish over galvanized steel
- Post-painted (black) coil fins
- Coated, weather-resistant cabinet screws
- Coated inlet grille with 2" (51mm) spacing standard, alternate models available with ¾" (10mm) grille spacing for extra protection
- 5 year compressor limited warranty
- 5 year coil limited warranty
- 5 year parts limited warranty



Rated in accordance with ARI Standard 210.
Certification applies only when used with proper
components as listed with ARI.

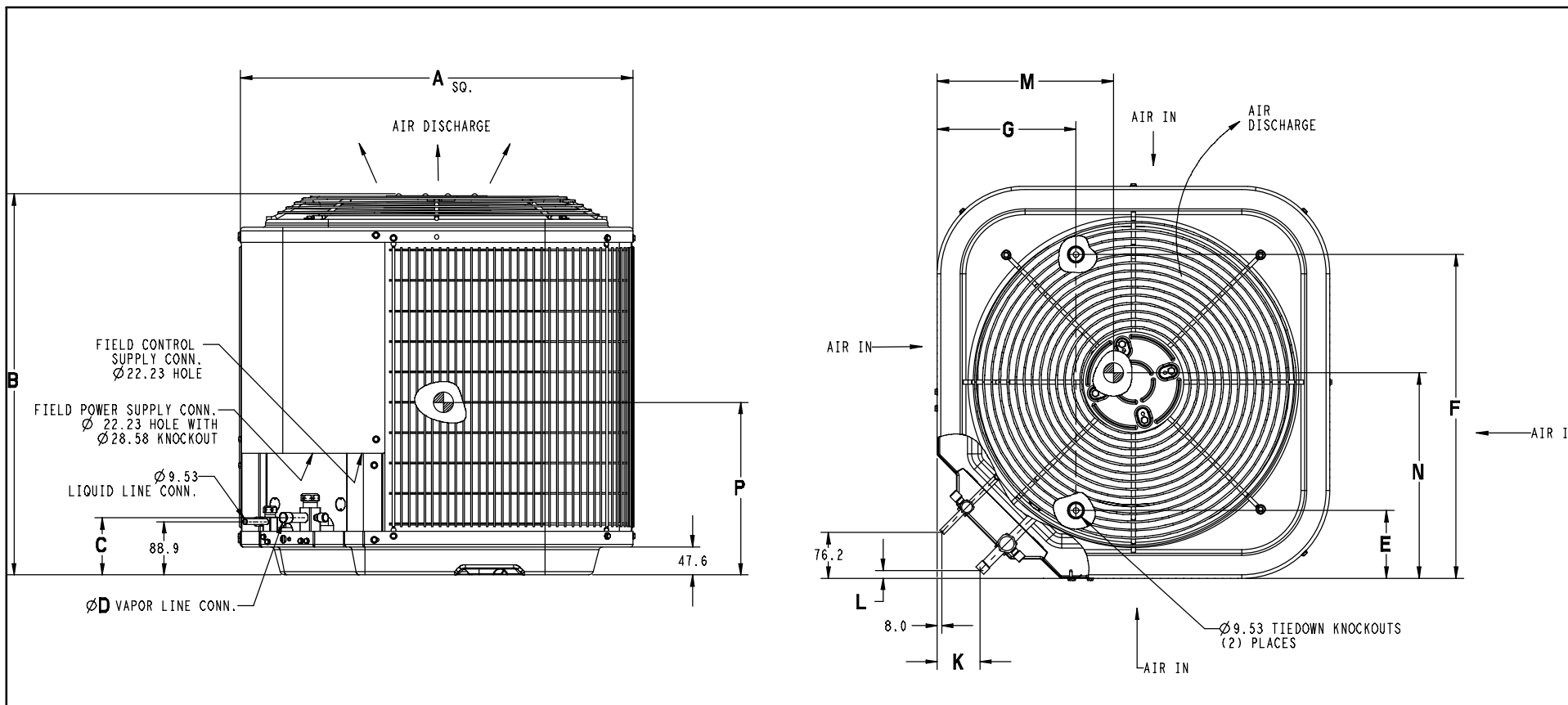


Model Number	Size (tons)	Nominal BTU/hr	Min. Circuit Ampacity	Max. Fuse or Breaker	Operating Dimensions height x width x depth in. (mm)	Ship / Operating Weight lbs. (kg)
N4A318AKB	1½	18,000	11.8	15	25 ⁵ / ₁₆ x 23 ¹ / ₂ x 23 ¹ / ₂ (643 x 597 x 597)	130 / 107 (59 / 49)
18GKB	same model with 3/8" (10mm) spacing inlet grille					
N4A324AKB	2	24,000	17.6	25	25 ⁵ / ₁₆ x 23 ¹ / ₂ x 23 ¹ / ₂ (643 x 597 x 597)	134 / 110 (61 / 50)
24GKB	same model with 3/8" (10mm) spacing inlet grille					
N4A330AKC	2½	30,000	16.8	25	28 ¹ / ₁₆ x 23 ¹ / ₂ x 23 ¹ / ₂ (729 x 597 x 597)	136 / 111 (62 / 50)
30GKC	same model with 3/8" (10mm) spacing inlet grille					
N4A336AKB	3	36,000	20.5	30	31 ¹³ / ₁₆ x 25 ³ / ₄ x 25 ³ / ₄ (808 x 654 x 654)	170 / 141 (77 / 64)
36GKB	same model with 3/8" (10mm) spacing inlet grille					
N4A342AKA	3½	42,000	23.5	40	32 ⁵ / ₁₆ x 31 ³ / ₁₆ x 31 ³ / ₁₆ (821 x 792 x 792)	208 / 180 (94 / 82)
42GKA	same model with 3/8" (10mm) spacing inlet grille					
N4A348AKB	4	48,000	26.2	40	35 ³ / ₄ x 31 ³ / ₁₆ x 31 ³ / ₁₆ (908 x 792 x 792)	216 / 179 (98 / 81)
48GKB	same model with 3/8" (10mm) spacing inlet grille					
N4A360AKC	5	60,000	34.2	50	25 ¹ / ₂ x 31 ³ / ₁₆ x 31 ³ / ₁₆ (648 x 792 x 792)	218 / 184 (99 / 84)
60GKC	same model with 3/8" (10mm) spacing inlet grille					



Dimensions Inches

Model (* = A or G)	Dimensions Inches												Minimum Mounting Pad Size	Crated Dimensions B(h) x A(w) x R(d)
	A	B	C	D	E	F	G	K	L	M	N	P		
N4A318*KB	23½	25 ⁵ / ₁₆	¾	¾	4 ⁷ / ₁₆	18 ¹ / ₁₆	7 ¹³ / ₁₆	2 ¹³ / ₁₆	½	16½	15	12	23½ x 23½	33½ x 27 ³ / ₈ x 24¼
N4A324*KB	23½	25 ⁵ / ₁₆	¾	¾	4 ⁷ / ₁₆	18 ¹ / ₁₆	7 ¹³ / ₁₆	2 ¹³ / ₁₆	½	16½	15	12	23½ x 23½	33½ x 27 ³ / ₈ x 24¼
N4A330*KC	23½	28 ¹¹ / ₁₆	¾	¾	4 ⁷ / ₁₆	18 ¹ / ₁₆	7 ¹³ / ₁₆	2 ¹³ / ₁₆	½	16½	15	14	23½ x 23½	33½ x 27 ³ / ₈ x 24¼
N4A336*KB	25¾	31 ¹³ / ₁₆	¾	7/8	6 ⁹ / ₁₆	21¼	9 ¹ / ₈	2 ¹⁵ / ₁₆	5/8	14¼	10½	16	26 x 26	35 ¹⁵ / ₁₆ x 30 ¹ / ₁₆ x 26 ⁷ / ₈
N4A342*KA	31 ³ / ₁₆	32 ⁵ / ₁₆	¾	7/8	6 ⁹ / ₁₆	24 ¹¹ / ₁₆	9 ¹ / ₈	2 ¹⁵ / ₁₆	5/8	15¾	16¼	13¾	31½ x 32½	35 ¹⁵ / ₁₆ x 35½ x 32 ³ / ₈
N4A348*KB	31 ³ / ₁₆	35¾	¾	7/8	6 ⁹ / ₁₆	24 ¹¹ / ₁₆	9 ¹ / ₈	2 ¹⁵ / ₁₆	5/8	14¾	15 ³ / ₈	15	31½ x 31½	39 ³ / ₈ x 35½ x 32 ³ / ₈
N4A360*KC	31 ³ / ₁₆	25½	¾	7/8	6 ⁹ / ₁₆	24 ¹¹ / ₁₆	9 ¹ / ₈	2 ¹⁵ / ₁₆	5/8	14 ³ / ₈	15 ³ / ₈	11¾	31½ x 31½	32 ⁹ / ₁₆ x 35½ x 32 ³ / ₈



Model (* = A or G)	Dimensions MM												Minimum Mounting Pad Size	Crated Dimensions B(h) x A(w) x R(d)
	A	B	C	D	E	F	G	K	L	M	N	P		
N4A318*KB	597	643	95	19	113	459	198	71	13	419	381	305	597 x 597	851 x 695 x 616
N4A324*KB	597	643	95	19	113	459	198	71	13	419	381	305	597 x 597	851 x 695 x 616
N4A330*KC	597	729	95	19	113	459	198	71	13	419	381	356	597 x 597	851 x 695 x 616
N4A336*KB	654	808	98	22	167	540	232	75	16	362	267	406	660 x 660	913 x 764 x 683
N4A342*KA	792	821	98	22	167	627	232	75	16	400	413	349	800 x 800	913 x 902 x 822
N4A348*KB	792	908	98	22	167	627	232	75	16	375	391	381	800 x 800	1000 x 902 x 822
N4A360*KC	792	648	98	22	167	627	232	75	16	359	391	298	800 x 800	827 x 902 x 822

PHYSICAL DATA							
Model Size	18	24	30	36	42	48	60
Nominal Cooling Capacity (BTU/hr)	18,000	24,000	30,000	36,000	42,000	48,000	60,000
Nominal SEER	13.0	13.0	13.0	13.0	13.0	13.0	13.0
Sound Rating (dBA)	72	76	74	75	78	80	78
PSC Fan Motor HP	1/12	1/10	1/10	1/4	1/5	1/4	1/4
Fan RPM (single speed)	1100	1100	1100	1100	1100	1100	800
Fan CFM	1792	2218	2218	2954	3170	3644	3129
Coil Face Area ft ² (m ²)	8.40 (.78)	8.40 (.78)	9.80 (.91)	13.13 (1.22)	17.25 (1.6)	19.40 (1.8)	12.93 (1.2)
Coil Rows – fins per inch	1 – 20	1 – 25	1 – 25	1 – 25	1 – 25	1 – 25	2 – 20
Liquid Line Connection Size in. (mm)	3/8 (10)	3/8 (10)	3/8 (10)	3/8 (10)	3/8 (10)	3/8 (10)	3/8 (10)
Vapor Line Connection Size in. (mm)	3/4 (19)	3/4 (19)	3/4 (19)	7/8 (22)	7/8 (22)	7/8 (22)	7/8 (22)
Recommended Line Set Liquid Tube Diameter in. (mm)	3/8 (10)	3/8 (10)	3/8 (10)	3/8 (10)	3/8 (10)	3/8 (10)	3/8 (10)
Recommended Line Set Vapor Tube Diameter in. (mm)	3/4 (19)*	3/4 (19)*	3/4 (19)*	7/8 (22)*	7/8 (22)*	7/8 (22)*	1 1/8 (29)*
* Recommended Vapor Tube Line size is for standard installations. These recommendations may not apply to “Long Line” installations. When the total equivalent line length exceeds 80 feet or there is more than 20 feet vertical separation between indoor and outdoor units, consult the Long Line Application Guideline document before purchasing/installing line sets.							
Factory Charge R-410A lbs. (kg)	3.50 (1.6)	3.80 (1.7)	4.10 (1.9)	5.34 (2.4)	5.84 (2.7)	7.00 (3.2)	8.19 (3.7)
Required Subcooling °F (°C)	10 (6)	10 (6)	10 (6)	14 (8)	10 (6)	15 (8)	13 (7)
Weight, shipping lbs. (kg)	130 (59)	134 (61)	136 (62)	170 (77)	208 (94)	216 (98)	218 (99)
Weight, operating lbs. (kg)	107 (49)	110 (50)	111 (50)	141 (64)	180 (82)	179 (81)	184 (84)

ELECTRICAL DATA (208/230–1–60, voltage range 197V – 253V)							
Model Size	18	24	30	36	42	48	60
Minimum Circuit Ampacity – MCA (amps)	11.8	17.6	16.8	20.5	23.5	26.2	34.2
Maximum OverCurrent Protective device – MOCP (amps)	15	25	25	30	40	40	50
Compressor RLA (Rated Load Amps) LRA (Locked Rotor Amps)	9.0 48.0	13.5 58.3	12.8 64.0	14.1 77.0	17.9 112.0	19.9 109.0	26.4 134.0
Fan Motor FLA (Full Load Amps)	.5	.75	1.4	1.4	1.1	1.4	1.2

R-410A COOLING CAPACITY LOSS FOR VARIOUS LINE LENGTHS & TUBE DIAMETERS

Model Size	Liquid Line in.(mm)	Acceptable Vapor Line Sizes in. (mm)	Cooling Capacity Loss (%) at Total Equivalent Line Length, feet (m) Refer to Long Line Application Guideline to calculate equivalent length										
			Standard Application			Long Line Application (Requires Accessories)							
			25' (7.6)	50' (15.2)	80' (24.4)	81' (24.7)	100' (30.5)	125' (38.1)	150' (45.7)	175' (53.3)	200' (61)	225' (68.6)	250' (76.2)
18	3/8 (10)	1/2 (13)	1	2	3	3	4	6	7	8	9	10	12
		5/8 (16)	0	0	1	1	1	1	2	2	3	3	3
		3/4 (19)	0	0	0	0	0	1	1	1	1	1	2
24		5/8 (16)	0	1	1	1	2	3	3	4	4	5	6
		3/4 (19)	0	0	0	0	0	1	1	1	1	1	2
30		5/8 (16)	1	2	3	3	3	4	5	6	7	8	9
		3/4 (19)	0	0	1	1	1	1	2	2	2	3	3
		7/8 (22)	0	0	0	0	0	1	1	1	1	1	1
36		5/8 (16)	1	2	4	4	5	6	7	9	10	11	13
		3/4 (19)	0	0	1	1	1	2	2	3	3	4	4
		7/8 (22)	0	0	0	0	0	1	1	1	1	2	2
42		3/4 (19)	0	1	2	2	2	3	4	4	5	6	6
	7/8 (22)	0	0	1	1	1	1	2	2	2	3	3	
48	3/4 (19)	0	1	2	2	3	4	5	5	6	7	8	
	7/8 (22)	0	0	1	1	1	2	2	2	3	3	4	
60	3/4 (19)	1	2	4	4	5	6	7	9	10	11	12	
	7/8 (22)	0	1	2	2	2	3	4	4	5	5	6	
	1 1/8 (29)	0	0	0	0	1	1	1	1	1	1	2	

* Applications are considered "Long Line" if the total equivalent tubing length exceeds 80 feet (24.4m) or there is more than 20 foot (6.1m) vertical separation between indoor and outdoor units. These applications require additional accessories and system modifications for reliable system operation.

Applications in shaded area may have height restrictions that limit allowable total equivalent length when outdoor unit is below indoor unit.

ACCESSORY USAGE GUIDELINES

Accessory	REQUIRED FOR LOW-AMBIENT APPLICATIONS {Below 55°F (13°C)}	REQUIRED FOR LONG-LINE APPLICATIONS* {Over 80 ft. (24.4m)}
Crankcase Heater	Yes	Yes
Evaporator Freeze Thermostat	Yes	No
Winter Start Control	Yes **	No
Hard Start Kit (Capacitor & Relay)	Yes	Yes
Low Ambient Kit (Pressure Switch)	Yes	No
Support Feet, 4" (102mm) tall	Recommended	No
Liquid Line Solenoid Valve	No	See Long-Line Application Guideline

* For Line Set lengths between 80 and 200 ft (24.4 and 61m) horizontal, or more than 20 ft (6.1m) indoor-outdoor vertical separation, refer to the Long Line Application Guideline document.

** Can only be installed in conjunction with Low Pressure Switch.

ACCESSORIES		
Part Number	Description	Used On Model Size
NASA001CH	Crankcase Heater for Scroll Compressor (208/230 V)	42, 48, 60
NASA003CH	Crankcase Heater for Scroll Compressor (208/230 V)	18, 24, 30, 36
NASA001SC	Start Component – PTC Device	ALL
NASA001FS	Evaporator Freeze Thermostat	ALL
NASA403PS	Low Pressure Switch, AC, R-410A	ALL
NASA401LS	Liquid Line Solenoid Valve, R-410A	ALL
NASA001TD	Time Delay Relay, Indoor Blower	ALL
NASA001WS	Winter Start Control	ALL
NASA001AC	Anti-Cycle Timer (5 minute delay)	ALL
NASA404PS	High Pressure Switch, AC or HP, R-410A	ALL
NASA005SC	Hard Start Kit (Capacitor & Relay)	ALL
NASA401LA	Low Ambient Kit (Pressure Switch), R-410A	ALL
NASA001SF	Support Feet, 4" (102mm) tall	ALL
NASA001SJ	Sound Jacket, Compressor	18, 24, 30, 36, 42, 48
NASA003SJ	Sound Jacket, Compressor	60
EBAC05TXVX	TXV Kit, R-410A *	18, 24, 30
EBAC06TXVX	TXV Kit, R-410A *	36, 42
EBAC07TXVX	TXV Kit, R-410A *	48, 60

* ONLY converts Fan Coils equipped with factory installed R-22 TXV.

COOLING PERFORMANCE FOR COMBINATION RATINGS									
Indoor Models									
Outdoor Model	Current Indoor Model († tested combo)	Furnace Model	Factory Installed	Cooling (95 ° F)			SEER		
				BTU/hr	S/T	EER	factory	w/ field TDR	w/ field R-410A TXV
N4A318AKB N4A318GKB	†ED*4X18B**	†	TXV	17,200	0.73	10.90		13.00	
	ED*4X18B**	*8MPV050	TDR&TXV	18,000	0.73	12.00	14.00		
	ED*4X18B**	MV08B15**B*	TDR&TXV	17,200	0.73	12.20	14.50		
	ED*4X24B**	*8MPV050	TDR&TXV	18,400	0.73	12.20	14.50		
	ED*4X24B**	MV08B15**B*	TDR&TXV	17,200	0.73	12.20	14.50		
	ED*4X24B**		TXV	17,200	0.73	10.90		13.00	
	ED*4X24F**	*9MPV050	TDR&TXV	18,400	0.73	12.20	14.50		
	ED*4X24F**	*9MPV075	TDR&TXV	18,500	0.73	12.20	14.50		
	ED*4X24F**		TXV	17,200	0.73	10.90		13.00	
	EHD4X24A**	*8MPV050	TDR&TXV	17,200	0.73	12.20	14.50		
	EHD4X24A**	*9MPV050	TDR&TXV	17,200	0.73	12.20	14.50		
	EHD4X24A**	*9MPV075	TDR&TXV	17,200	0.73	12.00	14.00		
	EHD4X24A**	MV08B15**B*	TDR&TXV	17,200	0.73	12.20	14.50		
	EHD4X24A**	†	TXV	17,200	0.73	10.90		13.00	
	EMA4X24D**	†	TXV	17,200	0.73	10.90		13.00	
	FEM4X18****	†	TDR&TXV	17,200	0.73	12.00	14.00		
	FEM4X24****	†	TDR&TXV	17,200	0.73	12.20	14.50		
	FS(M,U)4X18****	†	TDR&TXV	17,200	0.73	10.90	13.00		
	FS(M,U)4X24****	†	TDR&TXV	18,000	0.73	10.90	13.00		
	FSA4X18**A*	†	TDR&TXV	17,200	0.73	10.90	13.00		
FSA4X24**A*	†	TDR&TXV	17,200	0.73	10.90	13.00			
FVM4X24****	†	TDR&TXV	17,200	0.73	12.20	14.50			
N4A324AKB N4A324GKB	†ED*4X24B**	†	TXV	23,000	0.72	11.00		13.00	
	ED*4X24B**	*8MPV050	TDR&TXV	23,000	0.72	11.50	13.50		
	ED*4X24B**	MV08B15**B*	TDR&TXV	23,000	0.72	12.20	14.50		
	ED*4X24F**	*8MPV075	TDR&TXV	23,000	0.72	12.00	14.00		
	ED*4X24F**	*9MPV050	TDR&TXV	23,000	0.72	11.70	14.00		
	ED*4X24F**	*9MPV075	TDR&TXV	23,000	0.72	11.70	14.00		
	ED*4X24F**	MV12F19**B*	TDR&TXV	23,000	0.72	12.20	14.50		
	ED*4X24F**	†	TXV	23,000	0.72	11.00		13.00	
	ED*4X30B**	*8MPV050	TDR&TXV	23,000	0.72	11.70	13.50		
	ED*4X30B**	MV08B15**B*	TDR&TXV	23,000	0.72	12.20	14.50		
	ED*4X30B**	†	TXV	23,000	0.72	11.00		13.00	
	ED*4X30F**	*8MPV075	TDR&TXV	23,000	0.72	12.00	14.00		
	ED*4X30F**	*9MPV050	TDR&TXV	23,000	0.72	12.00	14.00		
	ED*4X30F**	*9MPV075	TDR&TXV	23,000	0.72	11.70	14.00		
	ED*4X30F**	MV12F19**B*	TDR&TXV	23,000	0.72	12.20	14.50		
	ED*4X30F**	†	TXV	23,000	0.72	11.00		13.00	
	EHD4X24A**	*8MPV050	TDR&TXV	23,000	0.72	11.50	13.50		
	EHD4X24A**	*8MPV075	TDR&TXV	23,000	0.72	11.70	14.00		
	EHD4X24A**	*8MPV100	TDR&TXV	23,000	0.72	12.00	14.00		
	EHD4X24A**	*8MPV125	TDR&TXV	23,000	0.72	12.00	14.00		
	EHD4X24A**	*9MPV050	TDR&TXV	23,000	0.72	11.70	13.50		
	EHD4X24A**	*9MPV075	TDR&TXV	23,000	0.72	11.70	13.50		
	EHD4X24A**	*9MPV100	TDR&TXV	23,000	0.72	11.50	13.50		
	EHD4X24A**	*9MPV125	TDR&TXV	23,000	0.72	12.00	14.00		
	EHD4X24A**	MV08B15**B*	TDR&TXV	23,000	0.72	12.20	14.50		
	EHD4X24A**	MV12F19**B*	TDR&TXV	23,000	0.72	12.20	14.50		
	EHD4X24A**	†	TXV	23,000	0.72	11.00		13.00	
	EHD4X30A**	*8MPV050	TDR&TXV	23,000	0.72	11.70	13.50		
	EHD4X30A**	*8MPV075	TDR&TXV	23,000	0.72	12.00	14.00		
	EHD4X30A**	*8MPV100	TDR&TXV	23,000	0.72	12.20	14.50		
	EHD4X30A**	*8MPV125	TDR&TXV	23,000	0.72	12.20	14.50		
	EHD4X30A**	*9MPV050	TDR&TXV	23,000	0.72	11.70	14.00		
EHD4X30A**	*9MPV075	TDR&TXV	23,000	0.72	11.70	14.00			

2008 ENERGY STAR compliance for combinations with both: SEER 14.0 or higher and EER 11.5 or higher.

† For coils not listed with a matching furnace or blower, coil rating applies with any indoor blower device.

- continued on next page -

COOLING PERFORMANCE FOR COMBINATION RATINGS (continued)										
Indoor Models										
Outdoor Model	Current Indoor Model (‡ tested combo)	Furnace Model	Factory Installed	Cooling (95 ° F)			SEER			
				BTU/hr	S/T	EER	factory	w/ field TDR	w/ field R-410A TXV	w/ field R-410A TXV+TDR
N4A324AKB N4A324GKB (continued)	EHD4X30A**	*9MPV100	TDR&TXV	23,000	0.72	12.00	14.00			
	EHD4X30A**	*9MPV125	TDR&TXV	23,000	0.72	12.00	14.00			
	EHD4X30A**	MV08B15**B*	TDR&TXV	23,000	0.72	12.20	14.50			
	EHD4X30A**	MV12F19**B*	TDR&TXV	23,000	0.72	12.20	14.50			
	EHD4X30A**	†	TXV	23,000	0.72	11.00		13.00		
	EMA4X24D**	†	TXV	23,000	0.72	11.00		13.00		
	FEM4X24****	†	TDR&TXV	23,000	0.72	11.70	14.00			
	FEM4X30****	†	TDR&TXV	23,000	0.72	12.00	14.00			
	FS(M,U)4X24****	†	TDR&TXV	22,800	0.72	11.00	13.00			
	FS(M,U)4X30****	†	TDR&TXV	23,000	0.72	11.00	13.00			
	FSA4X24**A*	†	TDR&TXV	22,600	0.72	10.90	13.00			
	FSA4X30**A*	†	TDR&TXV	23,000	0.72	10.90	13.00			
	FVM4X24****	†	TDR&TXV	22,600	0.72	12.00	14.00			
	FVM4X36****	†	TDR&TXV	23,000	0.72	12.20	14.50			
	N4A330AKC N4A330GKC	‡ED*4X30B**	†	TXV	27,200	0.77	10.80		13.00	
ED*4X30B**		*8MPV050	TDR&TXV	27,200	0.77	11.00	13.00			
ED*4X30B**		MV08B15**B*	TDR&TXV	27,200	0.77	12.00	14.00			
ED*4X30F**		*8MPV075	TDR&TXV	27,200	0.77	11.70	14.00			
ED*4X30F**		*9MPV050	TDR&TXV	27,200	0.77	11.20	13.50			
ED*4X30F**		*9MPV075	TDR&TXV	27,200	0.77	11.20	13.50			
ED*4X30F**		MV12F19**B*	TDR&TXV	27,200	0.77	12.20	14.50			
ED*4X30F**		†	TXV	27,200	0.77	10.80		13.00		
ED*4X36B**		*8MPV050	TDR&TXV	27,200	0.77	11.00	13.00			
ED*4X36B**		MV08B15**B*	TDR&TXV	27,200	0.77	12.00	14.00			
ED*4X36B**		†	TXV	27,200	0.77	10.80		13.00		
ED*4X36F**		*8MPV075	TDR&TXV	27,200	0.77	11.70	14.00			
ED*4X36F**		*9MPV050	TDR&TXV	27,200	0.77	11.20	13.50			
ED*4X36F**		*9MPV075	TDR&TXV	27,200	0.77	11.50	13.50			
ED*4X36F**		MV12F19**B*	TDR&TXV	27,200	0.77	12.20	14.50			
ED*4X36F**		†	TXV	27,200	0.77	10.80		13.00		
ED*4X36J**		*8MPV100	TDR&TXV	27,200	0.77	12.00	14.00			
ED*4X36J**		*8MPV125	TDR&TXV	27,200	0.77	12.00	14.00			
ED*4X36J**		*9MPV100	TDR&TXV	27,200	0.77	11.70	14.00			
ED*4X36J**		†	TXV	27,200	0.77	10.80		13.00		
EHD4X30A**		*8MPV050	TDR&TXV	27,200	0.77	11.00	13.00			
EHD4X30A**		*8MPV075	TDR&TXV	27,200	0.77	11.50	14.00			
EHD4X30A**		*8MPV100	TDR&TXV	27,200	0.77	11.70	14.00			
EHD4X30A**		*8MPV125	TDR&TXV	27,200	0.77	11.70	14.00			
EHD4X30A**		*9MPV050	TDR&TXV	27,200	0.77	11.20	13.50			
EHD4X30A**		*9MPV075	TDR&TXV	27,200	0.77	11.20	13.50			
EHD4X30A**		*9MPV100	TDR&TXV	27,200	0.77	11.70	14.00			
EHD4X30A**		*9MPV125	TDR&TXV	27,200	0.77	11.70	14.00			
EHD4X30A**		MV08B15**B*	TDR&TXV	27,200	0.77	12.00	14.00			
EHD4X30A**		MV12F19**B*	TDR&TXV	27,200	0.77	12.00	14.50			
EHD4X30A**		†	TXV	27,200	0.77	10.80		13.00		
EHD4X36A**		*8MPV050	TDR&TXV	27,200	0.77	11.00	13.00			
EHD4X36A**		*8MPV075	TDR&TXV	27,200	0.77	11.70	14.00			
EHD4X36A**		*8MPV100	TDR&TXV	27,200	0.77	12.00	14.00			
EHD4X36A**		*8MPV125	TDR&TXV	27,200	0.77	12.00	14.00			
EHD4X36A**		*9MPV050	TDR&TXV	27,200	0.77	11.50	13.50			
EHD4X36A**		*9MPV075	TDR&TXV	27,200	0.77	11.50	13.50			
EHD4X36A**		*9MPV100	TDR&TXV	27,200	0.77	11.70	14.00			
EHD4X36A**		*9MPV125	TDR&TXV	27,200	0.77	12.00	14.00			
EHD4X36A**		MV08B15**B*	TDR&TXV	27,200	0.77	12.00	14.00			
EHD4X36A**		MV12F19**B*	TDR&TXV	27,200	0.77	12.20	14.50			
EHD4X36A**		†	TXV	27,200	0.77	10.80		13.00		
EMA4X36D**		†	TXV	27,200	0.77	10.80		13.00		

2008 ENERGY STAR compliance for combinations with both: SEER 14.0 or higher and EER 11.5 or higher.

† For coils not listed with a matching furnace or blower, coil rating applies with any indoor blower device.

- continued on next page -

COOLING PERFORMANCE FOR COMBINATION RATINGS (continued)									
Indoor Models									
Outdoor Model	Current Indoor Model († tested combo)	Furnace Model	Factory Installed	Cooling (95 ° F)			SEER		
				BTU/hr	S/T	EER	factory	w/ field TDR	w/ field R-410A TXV
N4A330AKC N4A330GKC (continued)	FEM4X30****	†	TDR&TXV	27,200	0.77	11.50	14.00		
	FEM4X36****	†	TDR&TXV	27,200	0.77	11.50	14.00		
	FS(M,U)4X30****	†	TDR&TXV	27,000	0.77	10.80	13.00		
	FSA4X36**A*	†	TDR&TXV	27,200	0.77	10.80	13.00		
	FSM4X36****	†	TDR&TXV	27,200	0.77	10.80	13.00		
	FVM4X24****	†	TDR&TXV	26,800	0.77	11.70	13.50		
	FVM4X36****	†	TDR&TXV	27,200	0.77	12.20	14.50		
	FVM4X48****	†	TDR&TXV	27,200	0.77	12.20	14.50		
N4A336AKB N4A336GKB	‡ED*4X36F**	†	TXV	33,800	0.77	10.90		13.00	
	ED*4X36B**	†	TXV	32,600	0.77	11.00		13.00	
	ED*4X36B**	MV08B15**B*	TDR&TXV	32,800	0.77	11.70	14.00		
	ED*4X36F**	*8MPV075	TDR&TXV	33,600	0.77	11.50	13.50		
	ED*4X36F**	*9MPV050	TDR&TXV	33,200	0.77	11.00	13.20		
	ED*4X36F**	*9MPV075	TDR&TXV	33,400	0.77	11.20	13.20		
	ED*4X36F**	MV12F19**B*	TDR&TXV	33,600	0.77	12.00	14.00		
	ED*4X36J**	†	TXV	33,800	0.77	10.90		13.00	
	ED*4X36J**	*8MPV100	TDR&TXV	34,200	0.77	11.70	14.00		
	ED*4X36J**	*8MPV125	TDR&TXV	34,200	0.77	11.70	14.00		
	ED*4X36J**	*9MPV100	TDR&TXV	34,000	0.77	11.50	13.50		
	ED*4X36J**	MV16J22**B*	TDR&TXV	33,800	0.77	12.00	14.00		
	ED*4X42F**	†	TXV	33,800	0.77	11.00		13.00	
	ED*4X42F**	*8MPV075	TDR&TXV	34,000	0.77	11.50	13.50		
	ED*4X42F**	*9MPV050	TDR&TXV	33,600	0.77	11.20	13.20		
	ED*4X42F**	*9MPV075	TDR&TXV	33,600	0.77	11.20	13.50		
	ED*4X42F**	MV12F19**B*	TDR&TXV	34,000	0.77	12.00	14.00		
	ED*4X42J**	†	TXV	34,000	0.77	11.00		13.00	
	ED*4X42J**	*8MPV100	TDR&TXV	34,400	0.77	11.70	14.00		
	ED*4X42J**	*8MPV125	TDR&TXV	34,400	0.77	12.00	14.00		
	ED*4X42J**	*9MPV100	TDR&TXV	34,200	0.77	11.70	13.50		
	ED*4X42J**	MV16J22**B*	TDR&TXV	34,000	0.77	12.00	14.00		
	ED*4X42L**	†	TXV	34,000	0.77	11.00		13.00	
	ED*4X42L**	*9MPV125	TDR&TXV	34,400	0.77	11.70	14.00		
	ED*4X42L**	MV20L24**B*	TDR&TXV	34,000	0.77	12.00	14.00		
	EHD4X36A**	†	TXV	34,000	0.77	11.00		13.00	
	EHD4X36A**	*8MPV050	TDR&TXV	33,800	0.77	11.20	13.20		
	EHD4X36A**	*8MPV075	TDR&TXV	33,400	0.77	11.70	13.50		
	EHD4X36A**	*8MPV100	TDR&TXV	33,600	0.77	12.00	14.00		
	EHD4X36A**	*8MPV125	TDR&TXV	33,400	0.77	12.00	14.00		
	EHD4X36A**	*9MPV050	TDR&TXV	33,800	0.77	11.20	13.20		
	EHD4X36A**	*9MPV075	TDR&TXV	33,400	0.77	11.50	13.50		
	EHD4X36A**	*9MPV100	TDR&TXV	33,400	0.77	11.70	14.00		
	EHD4X36A**	*9MPV125	TDR&TXV	33,400	0.77	12.00	14.00		
	EHD4X36A**	MV08B15**B*	TDR&TXV	33,400	0.77	12.00	14.00		
	EHD4X36A**	MV12F19**B*	TDR&TXV	33,400	0.77	12.00	14.00		
	EHD4X36A**	MV16J22**B*	TDR&TXV	33,400	0.77	12.00	14.00		
	EHD4X36A**	MV20L24**B*	TDR&TXV	33,400	0.77	12.00	14.00		
	EHD4X42A**	†	TXV	33,800	0.77	11.00		13.00	
	EHD4X42A**	*8MPV050	TDR&TXV	33,800	0.77	11.20	13.50		
EHD4X42A**	*8MPV075	TDR&TXV	34,000	0.77	11.70	14.00			
EHD4X42A**	*8MPV100	TDR&TXV	34,400	0.77	12.00	14.00			
EHD4X42A**	*8MPV125	TDR&TXV	34,200	0.77	12.00	14.00			
EHD4X42A**	*9MPV050	TDR&TXV	34,000	0.77	11.20	13.50			
EHD4X42A**	*9MPV075	TDR&TXV	34,000	0.77	11.50	13.50			
EHD4X42A**	*9MPV100	TDR&TXV	34,200	0.77	11.70	14.00			
EHD4X42A**	*9MPV125	TDR&TXV	34,200	0.77	12.00	14.00			

2008 ENERGY STAR compliance for combinations with both: SEER 14.0 or higher and EER 11.5 or higher.

† For coils not listed with a matching furnace or blower, coil rating applies with any indoor blower device.

- continued on next page -

COOLING PERFORMANCE FOR COMBINATION RATINGS (continued)										
Indoor Models										
Outdoor Model	Current Indoor Model (‡ tested combo)	Furnace Model	Factory Installed	Cooling (95 ° F)			SEER			
				BTU/hr	S/T	EER	factory	w/ field TDR	w/ field R-410A TXV	w/ field R-410A TXV+TDR
N4A336AKB N4A336GKB (continued)	EHD4X42A**	MV08B15**B*	TDR&TXV	34,000	0.77	12.00	14.00			
	EHD4X42A**	MV12F19**B*	TDR&TXV	34,000	0.77	12.00	14.00			
	EHD4X42A**	MV16J22**B*	TDR&TXV	34,000	0.77	12.00	14.00			
	EHD4X42A**	MV20L24**B*	TDR&TXV	34,000	0.77	12.00	14.00			
	EMA4X36D**	†	TXV	33,800	0.77	10.90		13.00		
	FEM4X36****	†	TDR&TXV	34,600	0.77	11.70	14.00			
	FEM4X42****	†	TDR&TXV	34,800	0.77	11.70	14.00			
	FS(M,U)4X42****	†	TDR&TXV	34,200	0.77	11.00	13.00			
	FSA4X36**A*	†	TDR&TXV	33,600	0.77	10.70	13.00			
	FSM4X36****	†	TDR&TXV	34,200	0.77	11.00	13.00			
	FVM4X36****	†	TDR&TXV	33,600	0.77	12.00	14.00			
	FVM4X48****	†	TDR&TXV	34,800	0.77	12.00	14.00			
	FVM4X60****	†	TDR&TXV	34,800	0.77	12.00	14.00			
N4A342AKA N4A342GKA	‡ED*4X42J**	†	TXV	41,000	0.77	11.00		13.00		
	ED*4X42F**	†	TXV	40,500	0.77	10.80		13.00		
	ED*4X42F**	*8MPV075	TDR&TXV	40,000	0.77	11.20	13.50			
	ED*4X42F**	*9MPV075	TDR&TXV	40,000	0.77	10.90	13.00			
	ED*4X42J**	*8MPV100	TDR&TXV	41,500	0.77	11.20	13.50			
	ED*4X42J**	*8MPV125	TDR&TXV	41,000	0.77	11.50	14.00			
	ED*4X42J**	MV16J22****	TDR&TXV	41,500	0.77	11.50	14.00			
	ED*4X42L**	†	TXV	41,000	0.77	11.00		13.00		
	ED*4X42L**	*9MPV125	TDR&TXV	41,500	0.77	11.00	13.00			
	ED*4X48F**	†	TXV	41,500	0.77	11.00		13.00		
	ED*4X48F**	*8MPV075	TDR&TXV	41,500	0.77	11.20	13.50			
	ED*4X48F**	*9MPV075	TDR&TXV	41,000	0.77	11.00	13.20			
	ED*4X48J**	†	TXV	41,500	0.77	11.00		13.00		
	ED*4X48J**	*8MPV100	TDR&TXV	41,500	0.77	11.50	14.00			
	ED*4X48J**	*8MPV125	TDR&TXV	42,000	0.77	11.50	14.00			
	ED*4X48J**	*9MPV100	TDR&TXV	42,000	0.77	11.00	13.20			
	ED*4X48J**	MV16J22****	TDR&TXV	42,500	0.77	11.50	14.00			
	ED*4X48L**	†	TXV	41,500	0.77	11.00		13.20		
	ED*4X48L**	*9MPV125	TDR&TXV	42,000	0.77	11.20	13.50			
	EHD4X42A**	†	TXV	41,000	0.77	11.00		13.20		
	EHD4X42A**	*8MPV075	TDR&TXV	41,000	0.77	11.20	13.50			
	EHD4X42A**	*8MPV100	TDR&TXV	41,500	0.77	11.50	14.00			
	EHD4X42A**	*8MPV125	TDR&TXV	41,500	0.77	11.50	14.00			
	EHD4X42A**	*9MPV075	TDR&TXV	40,500	0.77	11.20	13.50			
	EHD4X42A**	*9MPV100	TDR&TXV	40,500	0.77	11.50	14.00			
	EHD4X42A**	*9MPV125	TDR&TXV	41,500	0.77	11.20	13.50			
	EHD4X42A**	MV16J22****	TDR&TXV	42,000	0.77	11.70	14.00			
	EHD4X42A**	MV20N26****	TDR&TXV	42,500	0.77	11.50	14.00			
	EHD4X48A**	†	TXV	41,500	0.77	11.00		13.00		
	EHD4X48A**	*8MPV075	TDR&TXV	41,500	0.77	11.20	13.50			
	EHD4X48A**	*8MPV100	TDR&TXV	41,500	0.77	11.50	14.00			
	EHD4X48A**	*8MPV125	TDR&TXV	42,000	0.77	11.50	14.00			
	EHD4X48A**	*9MPV075	TDR&TXV	41,000	0.77	11.20	13.50			
	EHD4X48A**	*9MPV100	TDR&TXV	41,500	0.77	11.50	14.00			
	EHD4X48A**	*9MPV125	TDR&TXV	42,000	0.77	11.20	13.50			
	EHD4X48A**	MV16J22****	TDR&TXV	42,000	0.77	11.70	14.00			
	EHD4X48A**	MV20N26****	TDR&TXV	42,500	0.77	11.50	14.00			
	EMA4X48D**	†	TXV	41,500	0.77	11.00		13.20		
	FEM4X42****	†	TDR&TXV	41,500	0.77	11.50	14.00			
	FEM4X48****	†	TDR&TXV	42,500	0.77	11.70	14.00			
FS(M,U)4X42****	†	TDR&TXV	41,000	0.77	10.80	13.00				
FS(M,U)4X48****	†	TDR&TXV	42,000	0.77	11.00	13.20				

2008 ENERGY STAR compliance for combinations with both: SEER 14.0 or higher and EER 11.5 or higher.

† For coils not listed with a matching furnace or blower, coil rating applies with any indoor blower device.

- continued on next page -

COOLING PERFORMANCE FOR COMBINATION RATINGS (continued)									
Indoor Models									
Outdoor Model	Current Indoor Model († tested combo)	Furnace Model	Factory Installed	Cooling (95 ° F)			SEER		
				BTU/hr	S/T	EER	factory	w/ field TDR	w/ field R-410A TXV
N4A342AKA N4A342GKA (continued)	FSM4X36****	†	TDR&TXV	41,500	0.77	10.90	13.00		
	FVM4X48****	†	TDR&TXV	41,500	0.77	12.00	14.00		
	FVM4X60****	†	TDR&TXV	42,500	0.77	12.00	14.00		
N4A348AKB N4A348GKB	‡ED*4X48J**	†	TXV	46,000	0.71	11.00		13.20	
	ED*4X48F**	†	TXV	45,000	0.71	11.00		13.20	
	ED*4X48J**	*8MPV100	TDR&TXV	45,000	0.71	11.50	13.50		
	ED*4X48J**	*8MPV125	TDR&TXV	45,000	0.71	11.70	13.50		
	ED*4X48J**	*9MPV100	TDR&TXV	45,000	0.71	11.20	13.20		
	ED*4X48J**	MV16J22**B*	TDR&TXV	45,000	0.71	12.00	14.00		
	ED*4X48L**	†	TXV	46,000	0.71	11.00		13.20	
	ED*4X48L**	*9MPV125	TDR&TXV	45,500	0.71	11.50	13.50		
	ED*4X48L**	MV20L24**B*	TDR&TXV	45,500	0.71	12.00	14.00		
	ED*4X60J**	†	TXV	46,000	0.71	11.20		13.20	
	ED*4X60J**	*8MPV100	TDR&TXV	46,000	0.71	11.70	14.00		
	ED*4X60J**	*8MPV125	TDR&TXV	46,000	0.71	12.00	14.00		
	ED*4X60J**	*9MPV100	TDR&TXV	46,000	0.71	11.70	13.50		
	ED*4X60L**	†	TXV	46,500	0.71	11.20		13.20	
	ED*4X60L**	*9MPV125	TDR&TXV	46,500	0.71	11.70	13.50		
	EHD4X48A**	†	TXV	46,000	0.71	11.00		13.20	
	EHD4X48A**	*8MPV100	TDR&TXV	46,000	0.71	11.50	13.50		
	EHD4X48A**	*8MPV125	TDR&TXV	46,000	0.71	11.70	13.50		
	EHD4X48A**	*9MPV100	TDR&TXV	45,500	0.71	11.20	13.20		
	EHD4X48A**	*9MPV125	TDR&TXV	45,500	0.71	11.50	13.50		
	EHD4X48A**	MV16J22**B*	TDR&TXV	46,000	0.71	12.00	14.00		
	EHD4X48A**	MV20L24**B*	TDR&TXV	46,000	0.71	12.00	14.00		
	EHD4X60A**	†	TXV	46,500	0.71	11.20		13.20	
	EHD4X60A**	*8MPV100	TDR&TXV	46,500	0.71	11.70	14.00		
	EHD4X60A**	*8MPV125	TDR&TXV	46,500	0.71	12.00	14.00		
	EHD4X60A**	*9MPV100	TDR&TXV	46,500	0.71	11.70	13.50		
	EHD4X60A**	*9MPV125	TDR&TXV	46,500	0.71	11.70	13.50		
	EMA4X48D**	†	TXV	45,000	0.71	11.00		13.20	
	FEM4X48****	†	TDR&TXV	46,500	0.71	11.70	13.50		
	FEM4X60****	†	TDR&TXV	47,500	0.71	12.00	14.00		
	FS(M,U)4X48****	†	TDR&TXV	45,500	0.71	11.20	13.20		
	FS(M,U)4X60****	†	TDR&TXV	46,500	0.71	11.20	13.20		
	FVM4X48****	†	TDR&TXV	46,000	0.71	12.00	14.00		
N4A360AKC N4A360GKC	‡ED*4X60L**	†	TXV	57,500	0.74	11.00		13.00	
	ED*4X60J**	MV16J22**B*	TDR&TXV	57,000	0.74	11.20	13.50		
	ED*4X60J**	†	TXV	57,500	0.74	11.00		13.00	
	ED*4X60L**	MV20L24**B*	TDR&TXV	57,000	0.74	11.20	13.20		
	EHD4X60A**	MV16J22**B*	TDR&TXV	57,500	0.74	11.50	13.50		
	EHD4X60A**	MV20L24**B*	TDR&TXV	57,000	0.74	11.20	13.20		
	EHD4X60A**	†	TXV	57,500	0.74	11.00		13.00	
FEM4X60****	†	TDR&TXV	57,500	0.74	11.20	13.20			
FVM4X60****	†	TDR&TXV	57,500	0.74	11.50	13.50			

2008 ENERGY STAR compliance for combinations with both: SEER 14.0 or higher and EER 11.5 or higher.

† For coils not listed with a matching furnace or blower, coil rating applies with any indoor blower device.



This product has been designed and manufactured to meet ENERGY STAR criteria for energy efficiency when matched with appropriate coil components. However, proper refrigerant charge and proper air flow are critical to achieve rated capacity and efficiency. Installation of this product should follow the manufacturer's refrigerant charging and air flow instructions. Failure to confirm proper charge and airflow may reduce energy efficiency and shorten equipment life.

OUTDOOR UNIT MODEL NUMBER IDENTIFICATION GUIDE (single phase)											
Digit Position:	1	2	3	4	5, 6	7	8	9	10	11	12
Example Part Number:	N	4	A	3	18	A	K	B	1	0	0
H = Heil Mainline N = Heil Entry BRANDING											
2 = R-22 4 = R-410A REFRIGERANT											
A = Air Conditioner H = Heat Pump TYPE											
3 = 13 SEER 4 = 14 SEER NOMINAL EFFICIENCY											
18 = 18,000 BTUH = 1½ tons 24 = 24,000 BTUH = 2 tons 30 = 30,000 BTUH = 2½ tons 36 = 36,000 BTUH = 3 tons 42 = 42,000 BTUH = 3½ tons 48 = 48,000 BTUH = 4 tons 60 = 60,000 BTUH = 5 tons NOMINAL CAPACITY											
A = Standard Grille G = Coil Guard Grille C = Coastal FEATURES											
K = 208/230-1-60 VOLTAGE											
Sales Code											
Engineering Revision											
Extra Digit											
Extra Digit											

ACCESSORIES PART NUMBER IDENTIFICATION GUIDE									
Digit Position:	1	2	3	4	5	6, 7	8, 9	10, 11	
Example Part Number:	N	A	S	A	0	01	01	CH	
N = Non-Branded BRANDING									
A = Accessory PRODUCT GROUP									
S = Split System (AC & HP) KIT USAGE									
A = Original B = 2nd Generation MAJOR SERIES									
0 = Generic or Not Applicable 2 = R-22 4 = R-410A REFRIGERANT									
Product Identifier Number									
Package Quantity									
Type of Kit (Example: CH = Crankcase Heater)									