



PRODUCT CATALOGUE



SUPERIOR QUALITY AND CLAMPING EXPERTISE

Ideal is a leading manufacturer and supplier of clamping and joint sealing products worldwide. With over 90 years of experience in clamping technology, we've employed advanced materials and cutting-edge technology to construct innovative, superior quality clamping and sealing products for both simple and extraordinary uses.

Setting the industry standard for fastener engineering expertise, we offer a broad range of Ideal worm drive hose clamps, high-torque clamps, constant tension clamps and a host of specialty and custom clamping products, available in a variety of material types and configurations. Our one-piece mechanical design locks the housing directly to the band to provide maximum strength and anti-shear protection.

Let us help you find a clamp or design one that fits your specific requirements.



IDEAL CLAMP CATALOGUE

CLAMP SELECTION GUIDE	
SMALL DIAMETER CLAMPS	1
12MM BAND CLAMPS	2
LINED CLAMPS	3
NON-PERFORATED BAND CLAMPS	4-5
POWERGRIP™ SB CLAMPS	5
T-BOLT CLAMPS	6-7
HIGH PERFORMANCE WORM DRIVE CLAMPS	8
FLEX-GEAR® CLAMPS	9
QUICK RELEASE CLAMPS	10
TWO PART CLAMPS	10
PIPE RETAINING CLAMPS	11
CARDED CLAMPS	12
HANDY PACKS	12
GRAB PACKS	13
CUSTOM ENGINEERED CLAMPS	14
RETAIL DISPLAYS	14
FLEXIBLE HOSE CLAMP DRIVERS	14
MERCHANDISERS	15-17
CLAMP CROSS REFERENCE	18

IDEAL CLAMP SELECTION GUIDE	SMALL DIAMETER CLAMPS		PERFORATED BAND CLAMPS		EMBOSSED BAND CLAMP		T-BOLT CLAMPS		HIGH PERFORMANCE WORM DRIVE CLAMPS		LINED CLAMPS		QUICK RELEASE		FLEX GEAR	
	62M	62P	52F	57	67-5	53	54/55	31	32	33	6M	65E	62K	58	47	
AUTOMOTIVE																
Emission Control	●	●	●									●				
Fuel Lines	●		●									●				
Fuel Injection	●		●									●				
Vacuum Tubing		●										●				
Radiator Hose			●	●	●										●	
Heater Hose			●	●	●											
HEAVY-DUTY																
Exhaust								●	●	●						
Air Duct								●	●	●						●
Radiator Hose								●	●	●						●
Turbo Hose								●	●	●		●				●
MARINE																
Boating applications	●				●	●				●		●				
INDUSTRY																
Plumbing						●	●	●	●	●				●		
Industrial Machinery						●	●	●	●	●				●		
Heavy-Duty Industry						●	●	●	●	●		●				
Farm Equipment						●	●	●	●	●						
Off-road Equipment						●	●	●	●	●						
General hose piping & tubing						●	●	●	●	●		●				
Corrosive Environments						●	●	●	●	●						
Repeated opening & closing														●		
Applic. subject to temp changes																●
DOMESTIC																
General Home Repair		●		●			●	●	●	●				●		
	Used for small diameter hose applications. Easy to install in confined areas.		Suitable for most common home, hardware, plumbing and automotive repairs.		Suitable for soft hose applications. The solid band rolled edge offers increased protection on the exterior wall of the hose.		Designed for high pressure hose applications.		A worm drive clamp specially designed for high pressure applications.		Specially for use with silicone rubber or other soft hose applications. The extended band or liner protects the hose surface and prevents it from extruding or shearing through the band notches as the clamp is tightened		Designed for applications where the clamp is repeatedly open and closed.		Suitable for hose that are subject to temperature changes	

SMALL DIAMETER CLAMPS

Micro-Gear® Clamps

Micro-Gear clamps are tiny, tough and precision engineered for use in such small hose applications as emission control, fuel lines and vacuum hoses. Their slim, 5/16" (8mm) band and low profile housing make them easy to install in confined areas.

Ideal 62P Series

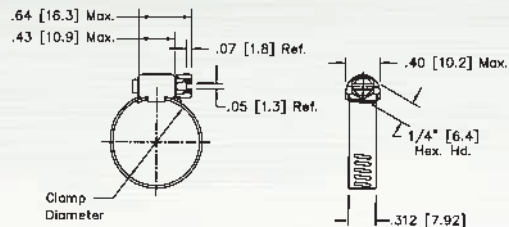
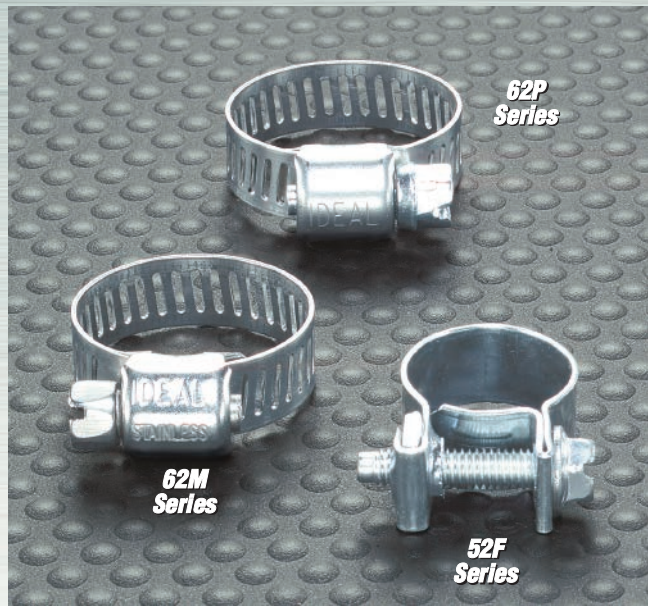
Screw: 1/4" (6mm) hex-head.
Plated carbon steel.

Band and housing: 5/16" (8mm) design.
201/301 stainless steel.

Ideal 62M Series

Screw: 1/4", (6mm) high-nickel grade stainless steel.

Band and housing: 5/16" (8mm) design.
High-nickel grade stainless steel.



MICRO GEAR CLAMPS							CLAMPING RANGE					
SAE Sizes	Ideal Part No.	Bulk Part No.	Bulk Pack Quantity	Ideal Part No.	Bulk Part No.	Bulk Pack Quantity	English (in.)		Metric (mm)		Fits Hose I.D.	
							Min.Dia.	Max.Dia.	Min. Dia.	Max. Dia.	Min.(in.)	Max.(in.)
	62P	62P Bulk		62M	62M Bulk							
4	6204 ⁽²⁾	6204B	1000	62604 ⁽⁴⁾	62604B	1000	1/4	5/8	6	16	1/8	5/16
5	6205	6205B*	1000	62605	62605B*	1000	1/4	11/16	7	17	1/8	3/8
6	6206 ⁽³⁾	6206B	1000	62606	62606B	1000	5/16	7/8	8	22	1/4	7/16
8	6208	6208B*	500	62608	62608B*	500	3/8	1	10	25	5/16	1/2
10	6210	6210B*	500	62610	62610B*	500	3/8	1 1/16	10	27	5/16	5/8
12	6212	6212B*	500	62612	62612B*	500	1/2	1 1/4	13	32	5/8	3/4
16	6216	6216B*	500	62616	62616B*	500	1/2	1 1/2	13	38	5/8	1

⁽²⁾ Old #6202 ⁽³⁾ Old #6203 ⁽⁴⁾ Old #62602
* Currently non-stock, available upon request Standard pack size - boxes of 10

Fuel Injection Clamps

Fuel injection system clamps are designed to provide the uniform sealing pressure required on fuel injection hose.

They feature non-perforated rolled-edge bands with a special nut and bolt-tightening design.

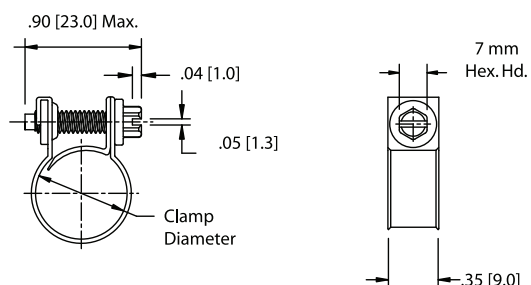
Ideal 52F Series

Screw: 7mm hex-head.
Zinc-plated, clear chromate, carbon steel.

Band: 9mm wide.
Zinc-plated, clear chromate, carbon steel.

FUEL INJECTION CLAMPS			CLAMPING RANGE			
SAE Sizes	Ideal Part No.	English (in.)		Metric (mm)		Fits Hose I.D
		Min. Dia.	Max. Dia.	Min. Dia.	Max. Dia.	
4	52F13	7/16	1/2	11	13	1/4"
6	52F15	1/2	9/16	13	15	5/16"
8	52F16	9/16	5/8	14	16	3/8"

* Packaged in boxes of 10



AUTOMOTIVE GENERAL PURPOSE

1/2" BAND CLAMPS



1/2" (12mm) band clamps are suitable for most common home and automotive applications.

Ideal 57 Series

Screw: 5/16" (8mm) hex-head.
Plated carbon steel.

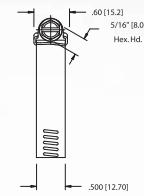
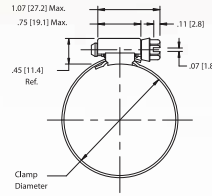
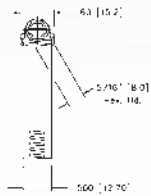
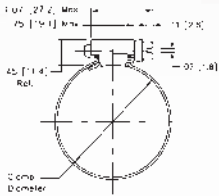
Band and housing: 1/2" (12mm) design.
201/301 stainless steel.

Ideal 67-5 Series

Screw: 5/16" (8mm) hex-head.
High-nickel grade stainless steel.

Band and housing: 1/2" (12mm) design.
High-nickel grade stainless steel.

Also Available In
316
STAINLESS STEEL



Measurements in illustrations are in inches [millimeters]

1/2" BAND CLAMPS							CLAMPING RANGE					
SAE Sizes	Ideal Part No.	Bulk Part No.	Bulk Pack Quantity	Ideal Part No.	Bulk Part No.	Bulk Pack Quantity	English (in.)		Metric (mm)		Fits Hose I.D.	
							Min. Dia.	Max Dia.	Min. Dia.	Max. Dia.	Min.	Max.
	57	57		67-5	67-5							
6	5706	5706B	500	6706	6706B	500	3/8	7/8	10	22	5/16	3/8
8	5708	5708B	500	6708	6708B	500	7/16	1	11	25	5/16	1/2
10	5710	5710B	500	6710	6710B	500	1/2	1 1/16	13	27	3/8	5/8
12	5712	5712B	500	6712	6712B	500	1/2	1 1/4	13	32	3/8	3/4
16	5716	5716B	500	6716	6716B	500	11/16	1 1/2	18	38	3/4	7/8
20	5720	5720B	500	6720	6720B	500	3/4	1 3/4	19	44	3/4	1 1/8
24	5724	5724B	500	6724	6724B	500	1	2	25	51	7/8	1 3/8
28	5728	5728B	500	6728	6728B	500	1 1/4	2 1/4	32	57	1 1/4	1 5/8
32	5732	5732B	500	6732	6732B	500	1 1/2	2 1/2	38	63	1 1/2	1 7/8
36	5736	5736B	500	6736	6736B	500	1 3/4	2 3/4	44	70	1 3/4	2
40	5740	5740B	500	6740	6740B	500	2	3	51	76	2	2 1/4
44	5744	5744B	500	6744	6744B	500	2 1/4	3 1/4	57	82	2 1/4	2 1/2
48	5748	5748B	500	6748	6748B	500	2 1/2	3 1/2	64	89	2 1/2	2 3/4
52	5752	5752B	500	6752	6752B	500	2 3/4	3 3/4	70	95	2 3/4	3
56	5756	5756B	250	6756	6756B	250	3	4	76	101	3	3 1/2
60	5760	5760B*	250	6760	6760B*	250	3 1/4	4 1/4	83	108	3 1/4	3 1/2
64	5764	5764B*	250	6764	6764B*	250	2 1/2	4 1/2	64	114	2 1/2	4
72	5772	5772B*	250	6772	6772B*	250	3	5	76	127	3	4 1/2
80	5780	5780B*	150	6780	6780B*	150	3 1/2	5 1/2	89	140	3 1/2	5
88	5788	5788B*	150	6788	6788B*	150	4	6	102	152	4	5 1/2
96	5796	5796B*	150	6796	6796B*	150	4 1/2	6 1/2	114	165	4 1/2	6

* Currently non-stock, available upon request Standard pack size - Boxes of 10

LINED CLAMPS



Hose installed with unlined clamp Hose installed with lined clamp

Lined clamps are specially designed for use with silicone rubber and other soft hose applications. The liner protects the hose surface and prevents it from extruding or shearing through the band notches as the clamp is tightened.

Ideal 62K Series

Screw: 6mm, 410 stainless steel.

Band, liner and housing: 5/16" (8mm)
301 stainless steel.

LINED CLAMPS		CLAMPING RANGE					
SAE Sizes	Ideal Part No.	English (in.)		Metric (mm)		Fits Hose I.D.	
		Min. Dia.	Max. Dia.	Min. Dia.	Max. Dia.	Min. (in.)	Max. (in.)
	62K						
4	62L04B	1/4	5/8	6	16	1/8	5/16
5	62L05B	1/4	11/16	7	17	1/8	3/8
6	62L06B	5/16	7/8	8	22	1/8	7/16

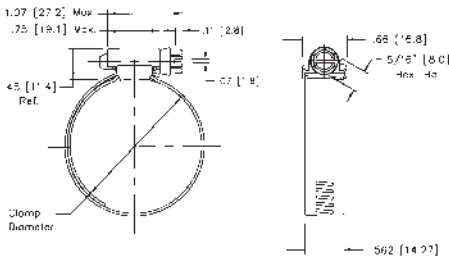
* Packaged in boxes of 2000

Ideal 65E Series

Screw: 5/16" hex-head.

High-nickel grade stainless steel.

Band, liner and housing: 9/16" (14mm)
High-nickel grade stainless steel.



Measurements in illustrations are in inches [millimeters]

LINED CLAMPS		CLAMPING RANGE					
SAE Sizes	Ideal Part No.	English (in.)		Metric (mm)		Fits Hose I.D.	
		Min. Dia.	Max. Dia.	Min. Dia.	Max. Dia.	Min. (in.)	Max. (in.)
	65E						
6	6506E	5/8	7/8	16	22	-	3/8
8	6508E	5/8	1	16	25	-	1/2
10	6510E	3/4	1 1/16	19	27	-	5/8
12	6512E	7/8	1 1/4	22	32	-	3/4
16	6516E	1	1 1/2	26	38	3/4	1
20	6520E	1 1/8	1 3/4	29	44	7/8	1 1/4
24	6524E	1 1/4	2	32	51	1	1 1/2
28	6528E	1 5/16	2 1/4	33	57	1 1/8	1 3/4
32	6532E	1 9/16	2 1/2	40	63	1 1/4	2
36	6536E	1 13/16	2 3/4	46	70	1 1/2	2 1/4
40	6540E	2 1/16	3	52	76	1 3/4	2 1/2
44	6544E	2 5/16	3 1/4	59	82	2 1/8	2 3/4
48	6548E	2 9/16	3 1/2	65	89	2 1/4	3
52	6552E	2 13/16	3 3/4	72	95	2 1/2	3 1/4
56	6556E	3 1/16	4	78	101	2 3/4	3 1/2
60	6560E	3 5/16	4 1/4	84	108	3 1/8	3 3/4
64	6564E	3 9/16	4 1/2	91	114	3 1/4	4
72	6572E	4 1/16	5	103	127	3 3/4	4 1/2

* Packaged in boxes of 10

AUTOMOTIVE & INDUSTRIAL GENERAL PURPOSE

NON-PERFORATED BAND CLAMPS

Preferred by the European original equipment and replacement markets, the non-perforated band protects silicone and other soft hose surfaces from extruding or shearing during installation. Available in 9mm and 12mm band widths in both all carbon steel and all stainless configurations.

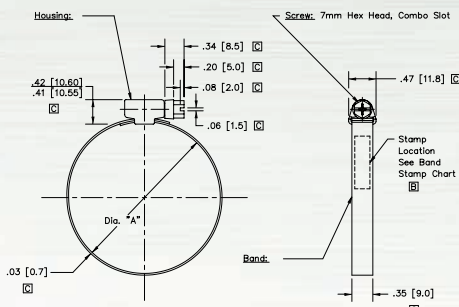
Ideal 55 Series (9mm Band Width)

Non-perforated clamp design

Screw: 7mm hex-head. Combination slot.
Plated carbon steel.

Band and housing: 9mm design.
Plated carbon steel.

Currently non stock, available upon request.

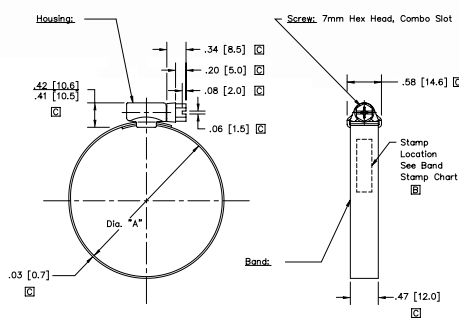


Ideal 55 Series (12mm Band Width)

Non-perforated clamp design.

Screw: 7mm hex-head. Combination slot.
Plated carbon steel.

Band and housing: 12mm design.
Plated carbon steel.

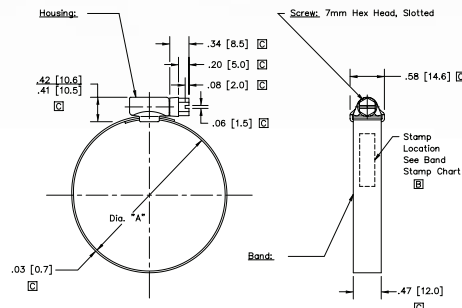


Ideal 54 Series (12mm Band Width)

All 300 grade stainless steel, non-perforated clamp design.

Screw: 7mm hex-head. Slotted. 300 grade stainless steel.

Band and housing: 12mm design. 300 grade stainless steel.



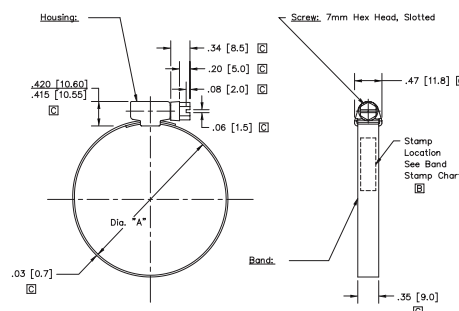
Measurements in illustrations are in inches [millimeters]

Ideal 53 Series (9mm Band Width)

All 300 grade stainless steel, non-perforated clamp design.

Screw: 7mm hex-head. Slotted. 300 grade stainless steel.

Band and housing: 9mm design. 300 grade stainless steel.



Also Available In
316
STAINLESS STEEL

AUTOMOTIVE & INDUSTRIAL GENERAL PURPOSE

9mm Non-Perforated Band Clamps

9mm BAND WIDTH NON-PERFORATED (EMBOSSED) CLAMPS								
Ideal PartNo.	Clamping Range				Fits Hose I.D.			
	mm		in.		mm		in.	
53	Min. Dia.	Max. Dia.	Min. Dia.	Max. Dia.	Min. Dia.	Max. Dia.	Min. Dia.	Max. Dia.
5312	8	12	5/16	15/32	-	5	1/8	3/16
5320	12	20	1/2	25/32	7	10	5/16	1/2

* Packaged in boxes of 10

12mm Non-Perforated Band Clamps

12mm BAND WIDTH NON-PERFORATED (EMBOSSED) CLAMPS									
Ideal PartNo.	Ideal PartNo.	Clamping Range				Fits Hose I.D.			
		mm		in.		mm		in.	
54	55	Min. Dia.	Max. Dia.	Min. Dia.	Max. Dia.	Min. Dia.	Max. Dia.	Min. Dia.	Max. Dia.
5425	5525	16	25	21/32	31/32	9	16	1/2	5/8
5432	5532	20	32	25/32	11/4	13	22	5/8	7/8
5440	5540	25	40	1	1 9/16	19	29	3/4	1
5450	5550	32	50	1 1/4	1 31/32	25	38	1	1 3/8
5460	5560	40	60	1 19/32	2 11/32	32	44	1 1/4	1 3/4
5470	5570	50	70	1 31/32	2 3/4	41	57	1 5/8	2
5480	5580	60	80	2 3/8	3 1/8	51	64	2	2 1/2
5490	5590	70	90	2 3/4	3 1/2	64	76	2 1/2	3
54100	55100	80	100	3 1/8	3 15/16	76	83	3	3 1/2
54110	55110	90	110	3 9/16	4 5/16	83	89	3 1/4	3 3/4
54120	55120	100	120	3 15/16	4 23/32	89	102	3 1/2	4
54130	55130	110	130	4 5/16	5 1/8	102	114	4	4 1/2

* Packaged in boxes of 10

POWERGRIP™ SB (SHRINKBAND CLAMPS)

Ideal Shrink Band clamps are made of a heat-sensitive thermoplastic with a memory that prevents them from over-tightening or under-tightening. Shrinks on with a heat gun. They are environmentally friendly, virtually eliminating antifreeze leaks and groundwater contamination.



Description	POWERGRIP		CLAMPING RANGE	
	Ideal Part No.	Nominal Hose ID (in.)	English (in.)	
			Min. (in.)	Max. (in.)
SB15	32915	1/4	1/2	11/16
SB19	32919	3/8	11/16	13/16
SB22	32922	1/2	13/16	15/16
SB25	32925	5/8	15/16	1 1/16
SB29	32929	3/4	1 1/16	1 3/16
SB34	32934	1	1 3/16	1 1/2
SB41	32941	1 1/4	1 1/2	1 3/4
SB48	32948	1 1/2	1 3/4	2
SB54	32954	1 3/4	2	2 1/4
SB60	32960	2	2 1/4	2 1/2
SB67	32967	2 1/4	2 1/2	2 3/4
SB73	32973	2 1/2	2 3/4	3
SB79	32979	2 3/4	3	3 1/4
SB86	32986	3	3 1/4	3 1/2
SB90	32990	3 1/8	3 1/2	3 5/8

* Packaged in boxes of 10

HEAVY-DUTY

We offer one of the most comprehensive lines of heavy-duty clamping products in the business. Our heavy-duty products include T-Bolts, V-Bands, Heavy-Duty and Constant Tension worm drive clamps. We cover the world of heavy-duty truck, off-road and industrial applications. We can even custom engineer a product that will meet your special fastening requirements.

T-BOLTS

Heavy-duty T-Bolt clamps provide uniform sealing pressure for a positive, reliable seal. Specifically designed for use in the high vibration and large diameter applications common in heavy truck, off-road equipment and industrial machinery. All clamps feature bands with rolled edges, solid trunnions and 12mm hex bolt for quick installation. They are available in all carbon, partial stainless and full stainless construction.

All Carbon T-Bolts – Ideal 31 Series

Typical applications include truck air intake systems, cold side charge air systems, off-road equipment and industrial machinery. General purpose construction comprising zinc plated carbon steel with clear chromate finish.

Band/Bridge: Zinc plated with clear chromate finish (AISI 1010/1020).

Bolt: 12mm hardened steel.

Trunnion: Zinc plated with clear chromate finish (AISI 1035).



Partial Stainless T-Bolts – Ideal 32 Series

Additional corrosion resistant construction featuring stainless steel band. Suitable for all heavy-duty applications, construction equipment and industrial machinery.

Band/Bridge : AISI 304/430 stainless steel.

Bolt: 12mm hardened steel.

Trunnion: Zinc plated with clear chromate finish (AISI 1035).

Full Stainless T-Bolts – Ideal 33 Series

Full 304 Stainless construction suitable for marine applications. Increased corrosion resistance for prolonged exposure to moisture and extreme environments.

Band/Bridge: 304 stainless steel.

Bolt: 12mm stainless steel.

Trunnion: 304 stainless steel.



T-BOLT PART NUMBER LISTING						
Ideal Part No.	Ideal Part No.	Ideal Part No.	Min. Dia. (mm)	Max. Dia. (mm)	Band Width	Band Thickness
31	32	33				
3123	3223	3323	23	25	18mm	0.6mm
3126	3226	3326	26	28	18mm	0.6mm
3129	3229	3329	29	31	20mm	0.6mm
3132	3232	3332	32	35	20mm	0.6mm
3136	3236	3336	36	39	20mm	0.6mm
3140	3240	3340	40	43	20mm	0.6mm
3144	3244	3344	44	47	22mm	0.8mm
3148	3248	3348	48	51	22mm	0.8mm
3152	3252	3352	52	55	22mm	0.8mm
3156	3256	3356	56	59	22mm	0.8mm
3160	3260	3360	60	63	22mm	0.8mm
3164	3264	3364	64	67	22mm	0.8mm
3168	3268	3368	68	73	24mm	0.8mm
3174	3274	3374	74	79	24mm	0.8mm
3180	3280	3380	80	85	24mm	0.8mm
3186	3286	3386	86	91	24mm	0.8mm
3192	3292	3392	92	97	24mm	0.8mm
3198	3298	3398	98	103	24mm	0.8mm
31104	32104	33104	104	112	24mm	0.8mm
31113	32113	33113	113	121	24mm	0.8mm
31122	32122	33122	122	130	24mm	0.8mm
31131	32131	33131	131	139	26mm	1.0mm
31140	32140	33140	140	148	26mm	1.0mm
31149	32149	33149	149	161	26mm	1.0mm
31162	32162	33162	162	174	26mm	1.0mm
31175	32175	33175	175	187	26mm	1.0mm
31188	32188	33188	188	200	26mm	1.0mm
31201	32201	33201	201	213	26mm	1.0mm
31214	32214	33214	214	226	26mm	1.0mm
31227	32227	33227	227	239	26mm	1.0mm
31240	32240	33240	240	252	26mm	1.0mm
31253	32253	33253	253	265	26mm	1.0mm
31266	32266	33266	266	278	26mm	1.0mm
31279	32279	33279	279	291	26mm	1.0mm
31292	32292	33292	292	304	26mm	1.0mm

* Packaged in boxes of 10

Additional clamping ranges and designs are available on request – Contact Customer Service for information.



Spring Loaded T-Bolts – Ideal 30030 Series/Tridon 819 Series

The helical spring design provides the self-compensating (constant tension) feature that prevents the development of leak paths due to temperature fluctuations. Typical applications include heavy truck charge air and cooling systems.

Band/Bridge: 3/4" width, 201/301 stainless steel.

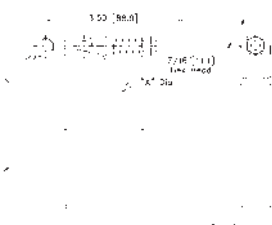
Bolt: 1/4"-28 plated steel. Spring: Plated steel.

Nut: 7/16" hex, nylon insert, plated steel locknut.

Trunnion: Plated steel.

Covers clamping ranges from 3 1/16" to 4 9/16".

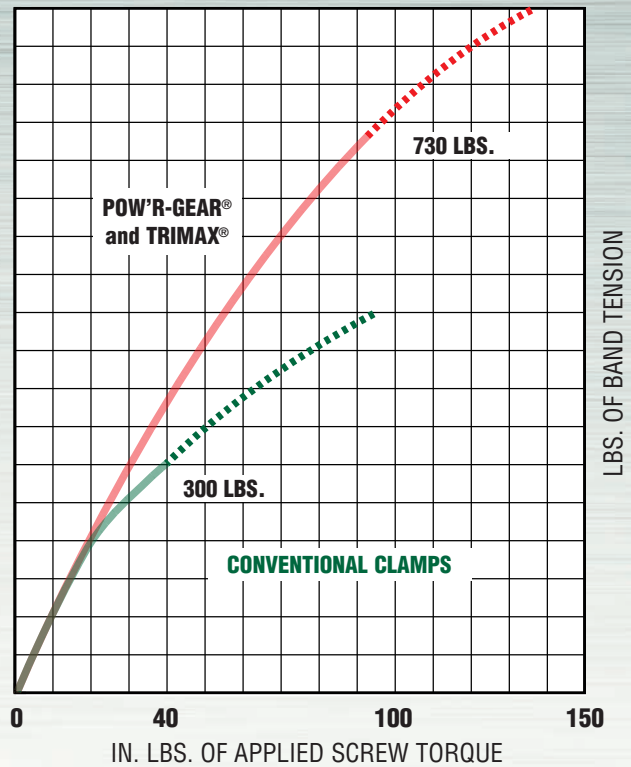
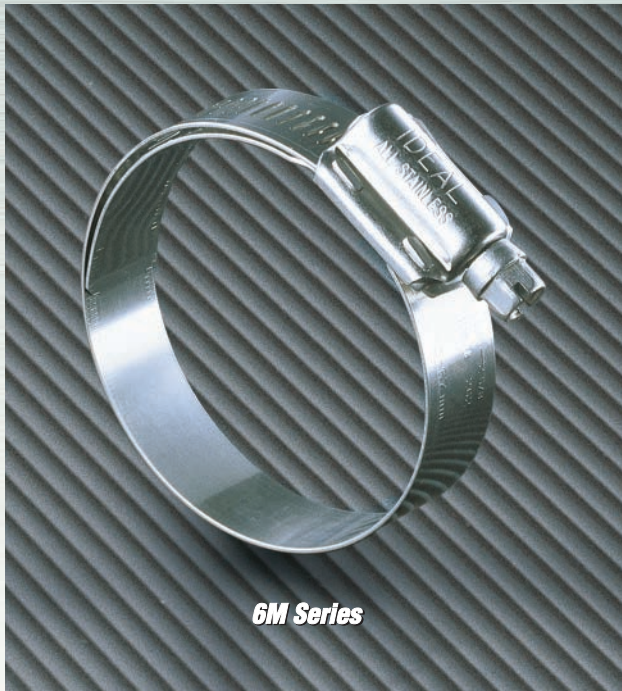
Additional clamping ranges and designs are available on request – Contact Ideal for information.



SPRING LOADED T-BOLTS						
SAE Sizes	Spring Loded T-Bolt Ideal Part No.	Min. Dia. (Inches)	Max. Dia. (Inches)	Min. Dia. (mm)	Max. Dia. (mm)	Installation Torque
70	30306	3 1/16	3 3/8	77.8	85.7	75.0 in. lbs. (8.5 Nm)
86	30356	3 9/16	3 7/8	90.5	98.4	75.0 in. lbs. (8.5 Nm)
102	30406	4 1/16	4 3/8	103.2	111.1	75.0 in. lbs. (8.5 Nm)
118	30456	4 9/16	4 7/8	115.9	123.8	75.0 in. lbs. (8.5 Nm)

Additional sizes and designs available – Contact Ideal for information.

HIGH PERFORMANCE WORM DRIVE CLAMPS



Premium POW'R-GEAR® clamps are designed for high vibration and stubborn leakage applications such as industrial machinery, heavy truck, farm and off-road equipment engines.

Featuring an extra wide 5/8" (6mm) band and a wide profile housing that provides maximum engagement of screw threads to band, POW'R-GEAR® clamps are engineered to deliver exceptionally high rates of band tension to handle even the toughest sealing jobs.

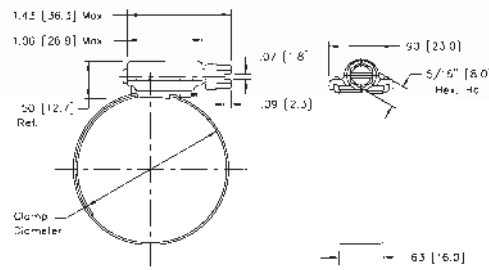
Ideal 300 Grade Stainless Steel Lined POW'R-GEAR® 6M Series

All 300 grade stainless steel construction.

Screw: 5/16" (8mm) hex-head. 305 stainless steel.

Band Liner: 5/8" (16mm) design. 0.028" (0.7mm) thick. 300 grade stainless steel.

Housing: 0.060" (1.5mm) thick. 300 grade stainless steel.



Measurements in illustrations are in inches [millimeters]

LINED CLAMPS		CLAMPING RANGE					
SAE Sizes	Ideal Part No.	English (in.)		Metric (mm)		Fits Hose I.D.	
		Min. Dia.	Max. Dia.	Min. Dia.	Max. Dia.	Min. (in.)	Max. (in.)
175	6M175	1	1 3/4	25	45	7/8	1 1/8
212	6M200	1 1/4	2 1/8	32	54	1	1 1/2
262	6M250	1 3/4	2 5/8	45	66	1 1/2	2
312	6M300	2 1/4	3 1/8	57	79	2	2 1/2
362	6M350	2 3/4	3 5/8	70	92	2 1/2	3
412	6M400	3 1/4	4 1/8	83	105	3	3 1/2
462	6M450	3 3/4	4 5/8	95	117	3 1/2	4
512	6M500	4 1/4	5 1/8	108	130	4	4 1/2

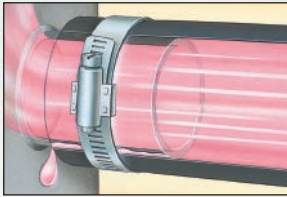
* Packaged in boxes of 10

FLEX-GEAR® CLAMPS

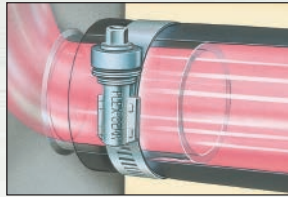
To eliminate “cold flow” leakage, you have to shut off the leak paths. Flex-Gear® heavy-duty constant tension clamps provide the self-adjusting band you need for a dependable seal, even in the coldest conditions.

Key features:

- Larger, heavier-gauge, precision-formed spring washers provide higher rates of band tension and adjustment for a more dependable seal
- Inner liner protects against shearing of hose surfaces
- Provides a uniform 360° seal
- Reusable



Non-compensating clamp cannot adjust during extreme temperature changes, allowing leaks to occur



Flex-Gear adjusts with the hose and fitting to maintain constant tension on the connection, eliminating leak paths



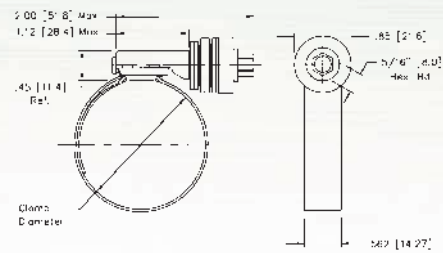
Ideal Flex-Gear® 47 Series

Screw: 5/16" (8mm) hex-head. 410 stainless steel.

Band, liner and housing: 9/16" (14mm) design.

300 grade stainless steel.

Washers: 300 grade stainless steel.



Measurements in illustrations are in inches [millimeters]

FLEX-GEAR		CLAMPING RANGE					
SAE Sizes	Ideal Part No.	English (in.)		Metric (mm)		Fits Hose I.D.	
		Min. Dia.	Max. Dia.	Min. Dia.	Max. Dia.	Min.(in.)	Max.(in.)
	47						
10	4710	9/16	1 1/16	14	27	3/8	5/8
12	4712	5/8	1 1/4	16	32	3/8	3/4
16	4716	13/16	1 1/2	21	38	3/4	7/8
20	4720	13/16	1 3/4	20	44	3/4	1 1/8
24	4724	1 1/16	2	27	51	7/8	1 3/8
28	4728	1 5/16	2 1/4	33	57	1 1/4	1 5/8
32	4732	1 9/16	2 1/2	40	63	1 1/2	1 7/8
36	4736	1 13/16	2 3/4	46	70	1 3/4	2
40	4740	2 1/16	3	52	76	2	2 1/4
44	4744	2 5/16	3 1/4	59	82	2 1/4	2 1/2
48	4748	2 9/16	3 1/2	65	89	2 1/2	3

* Packaged in boxes of 10

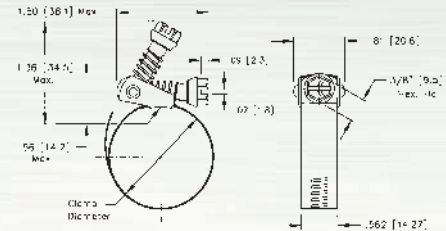
QUICK RELEASE CLAMPS

Quick release style worm drive clamps are indispensable for installation in closed systems where the clamp must be disengaged to be applied. The swivel-action locking of screw to band makes both installation and removal fast and easy.

Ideal Snaplock® 58 Series

Screw: 3/8" (8mm) hex-head. 410 stainless steel.
Band and housing: 9/16" (14mm) design.
201/301 stainless steel.

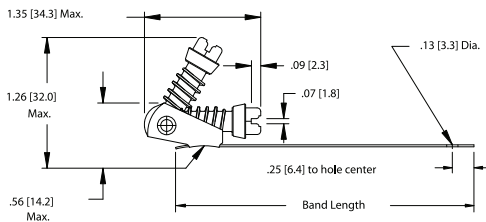
SNAPLOCK/QUICK RELEASE		CLAMPING RANGE					
SAE Sizes	Ideal Part No.	English (in.)		Metric (mm)		Fits Hose I.D.	
		Min. Dia.	Max. Dia.	Min. Dia.	Max. Dia.	Min.(in.)	Max.(in.)
	58						
012	5812	1/2	1 1/4	13	32	3/8	3/4
020	5820	3/4	1 3/4	19	44	3/4	1 1/8
024	5824	1	2	26	51	7/8	1 3/8
028	5828	1	2 1/4	26	57	7/8	1 5/8
036	5836	1	2 3/4	26	70	7/8	2
048	5848	1 1/2	3 1/2	38	89	1 1/2	2 3/4
056	5856	1	4	26	101	7/8	3 1/2
072	5872	2	5	51	127	2	4 1/2
088	5888	2	6	51	152	2	5 1/2
104	58104	1 3/4	7	45	178	1 3/4	6 1/2
116	58116	1 3/4	7 3/4	45	197	1 3/4	7
128	58128	2 1/4	8 1/2	45	216	1 3/4	7 1/2
136	58136	1 3/4	9	45	228	1 3/4	8 1/2
152	58152	2	10	51	254	2	9 1/2
188	58188	2	12 1/4	51	311	2	11 1/2



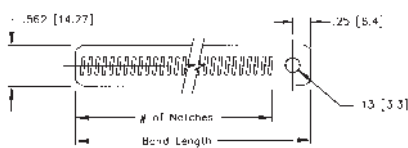
TWO PART CLAMPS

This unique two part clamp is adaptable to a variety of latching or locking applications where repeated opening and closing is necessary. Holes in the end of each part allow for permanent installation of clamp with rivets or screws.

Ideal 58 Series

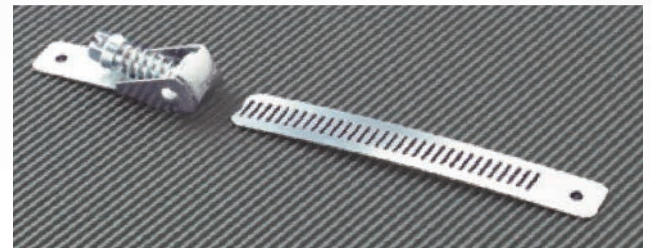


Ideal 62 Series



Measurements in illustrations are in inches (millimeters)

Screw: 5/16" hex-head. Plated carbon steel.
Band and housing: 1/2" wide stainless steel.



HOUSING				
Ideal Part No.	Band Length		Hole Diameter	
	Inches	mm	Inches	mm
58 (2-pc) Series				
5823B	1.86	47.2	0.13	3.3
5825B	1.50	38.1	0.13	3.3
5829B	3.72	94.5	0.13	3.3
5830B	3.63	92.1	0.25	6.4

*Pack Quantity - 500

BAND				
Ideal Part No.	Band Length		Hole Diameter	
	Inches	mm	Inches	mm
62 (2-pc) Series				
62647B	4.81	122.2	0.13	3.3
62648B	3.88	98.4	0.13	3.3
62649B	6.50	165.1	0.13	3.3
62650B	4.75	120.7	0.13	6.4
62654B	10.06	255.6	0.13	3.3
62655B	2.00	50.8	0.13	3.3
62656B	6.00	152.4	0.25	6.4

* Currently non-stock available upon request *Pack Quantity - 1000

Also available in all zinc-plated, carbon steel. Contact Ideal for details.

PIPE RETAINING CLAMPS

The Ideal Rubber Lined Pipe Retaining Clamp is commonly used for retaining Pipes, Hoses, Cables, Tubing etc. The Rubber liner absorbs vibration and also protects the product. The Clamp is suitable for use within the Automotive, Industrial, Electrical and General Hardware markets.



PIPE RETAINING CLAMP				
Ideal Part No	Diameter MM	Band Width	Mounting Hole	Pack Size
800415	4	15	6	5
800515	5	15	6	5
800615	6	15	6	5
800815	8	15	6	5
800915	9	15	6	5
801015	10	15	6	5
801215	12	15	6	5
801315	13	15	6	5
801515	15	15	6	5
801615	16	15	6	5
801815	18	15	6	5
801915	19	15	6	5
802015	20	15	6	5
802215	22	15	6	5
802515	25	15	6	5
802715	27	15	6	5
802915	29	15	6	5
803215	32	15	6	5
803515	35	15	6	5
803815	38	15	6	5
804015	40	15	6	5
804515	45	15	6	5
804815	48	15	6	5
805115	51	15	6	5
805515	55	15	6	5
805715	57	15	6	5
806015	60	15	6	5
806415	64	15	6	5
806615	66	15	6	5
807015	70	15	6	5
*800816	8	16	10	5
*800916	9	16	10	5
*801016	10	16	10	5
*801316	13	16	10	5
*801516	15	16	10	5
*801616	16	16	10	5
*801816	18	16	10	5
*801916	19	16	10	5
*802016	20	16	10	5
*802216	22	16	10	5
*802516	25	16	10	5
*802716	27	16	10	5
*802916	29	16	10	5
*803216	32	16	10	5
*803516	35	16	10	5
*803816	38	16	10	5
*805116	51	16	10	5

* Currently non stock line, available upon request

CARDED CLAMPS

Convenient method for displaying hose clamps in retail environment. Each blister pack contains 2 each of the designated clamp size. Attractive design for displaying on showroom plano grams.

CARDED CLAMPS		
Ideal Part No.	Clamping Range	Per Card
52F15C	13-15mm	2
6204C	6-16	2
6206C	8-22	2
5710C	13-27	2
5712C	13-32	2
5716C	18-38	2
5720C	19-44	2
5724C	26-51	2
5728C	32-57	2
5732C	38-63	2

* Packaged in boxes containing 10 cards



IDEAL HANDY PACKS

Ideal's Handy Pack are perfect for the DIY handy man, trade and retail customers. Convenient method for a variety of clamps in a sturdy plastic container. Suitable for automotive stores and trade customers including mobile mechanic's etc.

Packed into a sturdy clear plastic container with a screw cap lid.

Sticker details all the relevant information and pack contents.

Part No: IAP-12 contains a mixture of twelve 57 Series clamps.

Part No. IAP-26 contains a mixture of twenty-six 57 Series clamps.

CARDED CLAMPS	
Ideal Part No.	Clamping Range
IAP-12	
6204 x 2	6-16mm
6206 x 2	8-22mm
5712 x 4	13-32mm
5720 x 2	19-44mm
5736 x 2	44-70mm

CARDED CLAMPS	
Ideal Part No.	Clamping Range
IAP-26	
6204 x 4	6-16mm
6206 x 4	8-22mm
5712 x 10	13-32mm
5720 x 4	19-44mm
5736 x 4	44-70mm

Part No. IAP-26



Part No: IAP-12

FUEL LINE HOSE CLAMP GRAB PACK: IFCM-1

Suitable for fuel injection hose, transmission hose and other small O.D. hose applications.



FUEL INJECTION CLAMPS		
Ideal Part No.	Clamping Range	Qty.
52F13	11-13mm	10
52F15	13-15mm	20
52F16	14-16mm	10

Screw: 7 MM Hex Head
Zinc Plated, clear chromate carbon steel
Band: 9 MM wide
Zinc Plated, clear chromate, carbon steel

PERFORATED BAND CLAMPS		
Ideal Part No.	Clamping Range	Qty.
6204	6-16mm	20
6205	7-17mm	20
6206	8-22mm	20

Stainless Steel Band & Housing
Carbon steel Screw

CLAMP & HOSE CONNECTOR GRAB PACK: ICCM-1

Suitable for hose replacement and repair.



PLASTIC HOSE CONNECTORS			
Ideal Part No.	Connector	O.D.	Qty.
28603	Straight	12.7mm	5
28604	Straight	15.9mm	5
28605	Straight	19mm	5
28623	Elbow	12.7mm	5
28624	Elbow	15.9mm	5
28625	Elbow	19mm	5

For Cooling System applications

PERFORATED BAND CLAMPS		
Ideal Part No.	Clamping Range	Qty.
5708	11-25mm	10
5710	13-27mm	10
5712	13-32mm	10
5716	18-38mm	10

Stainless Steel Band & Housing
Carbon steel Screw

PIPE RETAINING CLAMP GRAB PACK: IPCM-1

Suitable for securing hose, tube and wiring harness. Rubber liner absorbs vibration and protects the hose and tube.



RUBBER LINED P-CLAMPS		
Ideal Part No.	Diameter	Qty.
800615	6mm	10
801015	10mm	10
801315	13mm	10
801615	16mm	10
801915	19mm	10
802215	22mm	10
802515	25mm	10

15 MM Band width
Plated Carbon Steel

CUSTOM ENGINEERED CLAMPS

Ideal custom designed clamps offer innovative solutions for unique applications.

From band notching and special screws to exotic finishes and sub assemblies, our engineers can design a product to fulfill your most challenging sealing and fastening applications.

We have been solving application problems in the automotive, marine, heavy duty, industrial and plumbing markets since 1913 – let us help solve yours.

Contact your local Ideal representative today.



RETAIL DISPLAYS

Ideal products are offered in blister or clamshell packaging to allow for display in retail environment. Contact us regarding setting up clamp plano grams for your showroom.



FLEXIBLE HOSE CLAMP DRIVERS

Stop using that old rigid nut driver and add some flexibility to your work! The flexible shaft and no-slip grip provide 90° access and work best in hard-to-reach places such as compact car and boat engines, as well as plumbing repair applications. The socket fits mini and standard hose clamp screw heads. Just flip the socket for the desired size of 1/4" (6mm) or 5/16" (8mm).

Part no. GFD-1



Part no. GFD-3

Suits 6mm – 7mm Socket

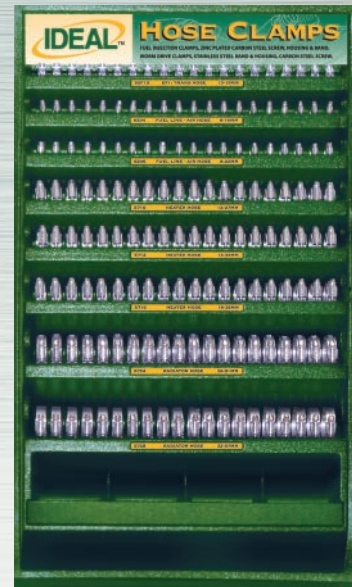


HOSE CLAMPS MERCHANDISER 57 SERIES

Perfect way to display your full clamp product line. Merchandiser features 8 different clamp sizes with 160 clamps in total. Merchandiser features a shelf at the bottom to store additional clamps for convenient refill. Each merchandiser comprises 20 each of the following hose clamp part numbers.

IHCM-1	
Ideal Part No.	Clamping Range
52F15	13-15mm
6204	6-16mm
6206	8-22mm
5710	13-27mm
5712	13-32mm
5716	18-38mm
5724	26-51mm
5728	32-57mm

IHCM-1

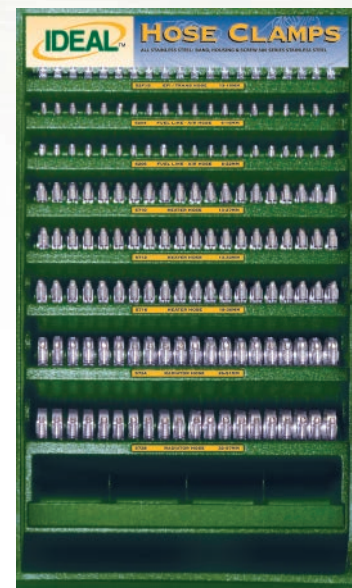


HOSE CLAMPS MERCHANDISER 67 SERIES

All Stainless Steel Hose Clamps (300 Series S/S Marine Grade) range. The merchandiser features 7 part numbers with a total of 160 clamps. It also features a shelf at the bottom to store additional clamps. Each merchandiser comprises 40 - 62604 clamps and 20 each of the following hose clamp part numbers.

ISSHCM-1	
Ideal Part No.	Clamping Range
62604	6-16mm
62606	8-22mm
6710	13-27mm
6712	13-32mm
6716	19-38mm
6724	26-50mm
6728	34-57mm

ISSHCM-1



MERCHANDISERS

T-BOLT CLAMPS MERCHANDISER 32 SERIES

The T-Bolt Merchandisers contain 18 popular sizes from 23-25mm to 113-121mm (4 of each size = 72 Clamps). The merchandiser can be displayed on a peg board or mounted on the wall. Available in 32 Series style clamp (partial Stainless Steel) and 33 Series (full Stainless Steel).

ITBM-1

ITBM-1	
Ideal Part No.	Clamping Range
3223	23 - 25
3226	26 - 28
3229	29 - 31
3232	32 - 35
3236	36 - 39
3240	40 - 43
3244	44 - 47
3248	48 - 51
3252	52 - 55

ITBM-1	
Ideal Part No.	Clamping Range
3256	56 - 59
3260	60 - 63
3264	64 - 67
3268	68 - 73
3274	74 - 79
3280	80 - 85
3286	86 - 91
32104	104 - 112
32113	113 - 121



T-BOLT CLAMPS MERCHANDISER 33 SERIES

ISSTBM-1

ISSTBM-1	
Ideal Part No.	Clamping Range
3323	23 - 25
3326	26 - 28
3329	29 - 31
3332	32 - 35
3336	36 - 39
3340	40 - 43
3344	44 - 47
3348	48 - 51
3352	52 - 55

ISSTBM-1	
Ideal Part No.	Clamping Range
3356	56 - 59
3360	60 - 63
3364	64 - 67
3368	68 - 73
3374	74 - 79
3380	80 - 85
3386	86 - 91
33104	104 - 112
33113	113 - 121



IDEAL® TILT BIN MERCHANDISERS—285 CLAMPS

The IDEAL Tilt Bin Merchandisers arrive fully loaded and labeled with the most popular clamp sizes for your market. Assortments are available in all stainless steel and all 300 grade to include Series 57 and 67-5. Use these merchandisers in your counter area as an effective way to organize your clamp inventory and increase profits.

Size specifications:

23 5/8" (600mm)x 5 1/4" (133mm) x 13" (330mm).



These hassle-free bins pop right out to make re-filling and organizing simple.



57 Series Automotive Assortment

Screw: Plated carbon steel.

1/2" band width, 5/16" micro band width.

Band and housing: All stainless steel.

Part Number: **5703***

57 SERIES AUTOMOTIVE ASSORTMENT CONTENTS		
SAE Size	Part No.	Qty.
4	6204	50
6	6206	50
10	5710	50
12	5712	60
20	5720	20
24	5724	20
28	5728	25
36	5736	10

67-5 Series Marine Assortment

All high-nickel grade stainless steel.

1/2" band width, 5/16" micro band width.

Part Number: **6703-5***

67-5 SERIES MARINE ASSORTMENT CONTENTS		
SAE Size	Part No.	Qty.
4	62604	50
6	62606	30
8	67085	30
10	67105	45
16	67165	60
20	67205	30
28	67285	30
36	67365	10

CLAMP CROSS REFERENCE

PERFORATED BAND WORM DRIVE CLAMP PACKS		
Ideal Series	Competitor #1 Series	Competitor #2 Series
62P	MH	M W2
626P	MAH	MS W4
57	HS	S W2
67	HAS	SS W4

PERFORATED BAND WORM DRIVE CLAMP BULK		
Ideal Series	Competitor #1 Series	Competitor #2 Series
62B	MH B	52
626B	MAH B	62
57B	HS B	52
67B	HAS B	67

FUEL INJECTION HOSE CLAMP		
Ideal Series	Competitor #1 Series	Competitor #2 Series
52F	N A	SL W1

EMBOSSSED BAND WORM DRIVE HOSE CLAMP		
Ideal Series	Competitor #1 Series	Competitor #2 Series
55	MP	TORRO "S"
53 / 54	SMP	W4

T-BOLT HEAVY DUTY CLAMP		
Ideal Series	Competitor #1 Series	Competitor #2 Series
31	-	-
32	TTBY	GBSN W2
33	TTBS	GBSN W4

SNAPLOCK QUICK RELEASE HOSE CLAMP		
Ideal Series	Competitor #1 Series	Competitor #2 Series
58	550	58 W3

LINED WORM DRIVE HOSE CLAMP		
Ideal Series	Competitor #1 Series	Competitor #2 Series
65E / 62K	EFI	ML W2

POW'R-GEAR LINED HOSE CLAMP		
Ideal Series	Competitor #1 Series	Competitor # 2 Series
6M	TTM	SGS W4

Merchandisers

WORM DRIVE MERCHANDISER		
Ideal Series	Competitor #1 Series	Competitor #2 Series
IHCM-1	CM4HC	NHC108/W2
ISSHCM-1	CM4DC	-

T-BOLT CLAMP MERCHANDISER		
Ideal Series	Competitor #1 Series	Competitor #2 Series
ITBM-1	TBM71	GBSM75/W2
ISSTBM-1	TBMSS71	GBSM75/.W4





Distributed by Gates Australia

1-15 Hydrive Close, Dandenong South, VIC, 3175
Phone: +61 3 9797 9666 Fax: +61 3 9797 9600
www.GatesAustralia.com.au

