

Parts List

Tech Labels & Wiring Diagrams

Models

Single Phase

PGF036K060B	GPFM036K060B
PGF036K080B	GPFM036K080B
PGF060K100B	GPFM060K100B
PGF060K140B	GPFM060K140B

Package Gas-Electric Combination Units

Manufactured by:
International Comfort Products
Lewisburg, TN USA 37091

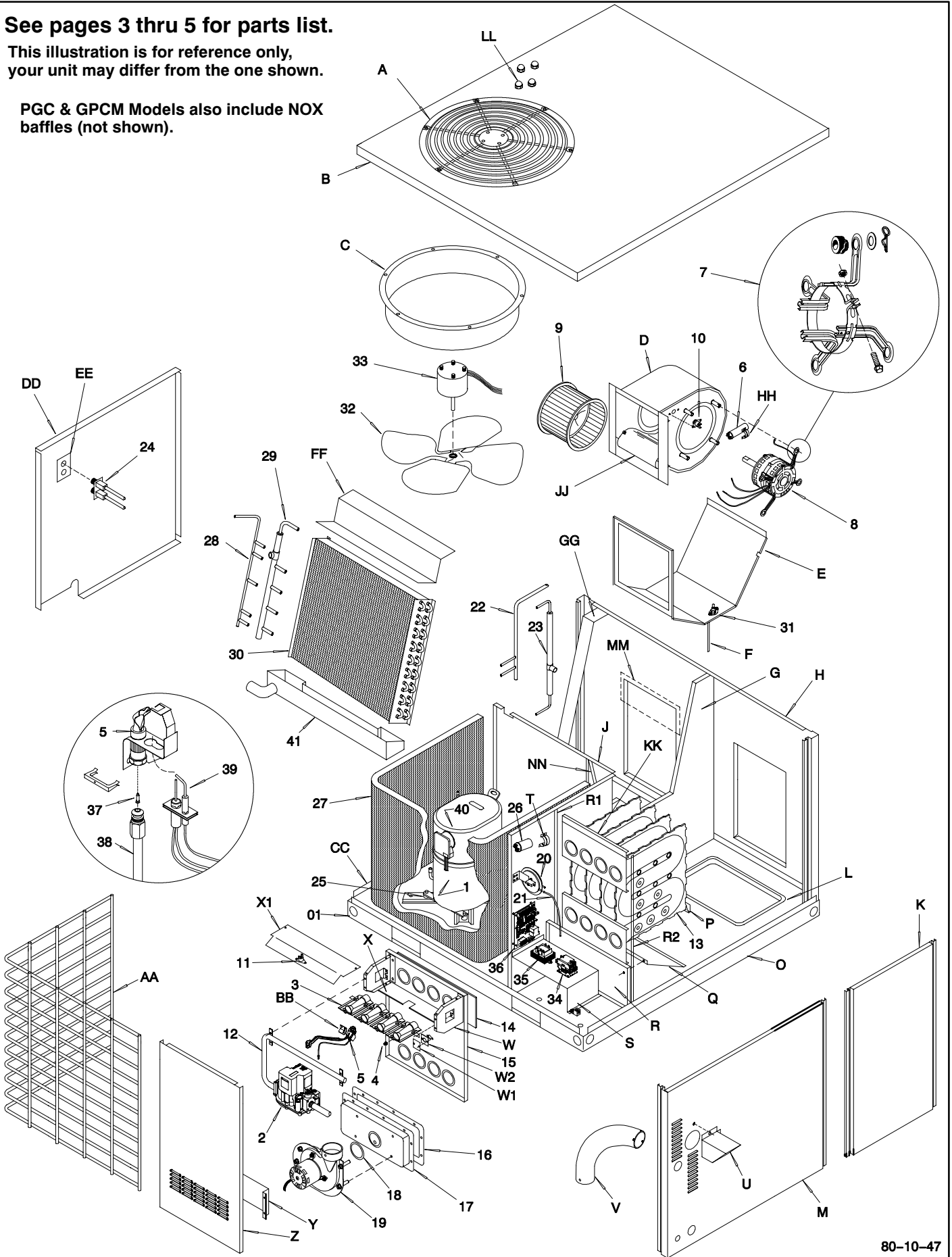
Save This Manual For Future Reference

462 04 1301 00
11-5-98 LP-1

See pages 3 thru 5 for parts list.

This illustration is for reference only,
your unit may differ from the one shown.

PGC & GPCM Models also include NOX
baffles (not shown).



KEY NO.	DESCRIPTION	PART NUMBER	PGF036K060B	PGF036K080B	PGF060K100B	PGF060K140B
			GPFM36K060B	GPFM36K080B	GPFM60K100B	GPFM60K140B
1	Compressor, CR32KFPFV	1082718	1	1		
1	ZR57KCPFV	1084519	*	*	1	1
2	Valve, Gas (Nat. & L.P.)	1011024	1	1	1	1
3	Burner Assembly	1008724	1	1		
3		1008725	*	*	1	
3		1009179	*	*	*	1
4	Orifice, Burner Nat. Gas (No. 45)	1011353	3			
4	Nat. Gas (No. 41)	1096942	*	3		
4	Nat. Gas (No. 42)	1011351	*	*	4	6
4	L.P. Gas (No. 56)	1011355	3			
4	L.P. Gas (No. 54)	1011376	*	3	4	6
5	Burner, Pilot/Ign/Sen (Nat. & L.P.)	1149856	1	1	1	1
6	Capacitor, 15Mfd.,370Volt	1094959	1	1		
6	20Mfd.,440Volt	1094968	*	*	1	1
7	Mount, Blower Motor Kit	1002804	1	1	1	1
8	Motor, Blower 1/2Hp	1065279	1	1		
8	1Hp	1054586	*	*	1	1
9	Wheel, Blower 11-9DD	1065361	1	1		
9	12-12DD	1098091	*	*	1	1
10	Switch, Limit (Auxiliary) 130	1000735	1	1	1	1
11	Switch, Limit (Rollout) 300F	1005549	1	1	1	1
12	Manifold, Gas	1084113	1	1		
12		1084114	*	*	1	
12		1084116	*	*	*	1
13	Heat Exchanger, 3-Section	1008877	1	1		
13	Heat Exchanger, 4-Section	1008878	*	*	1	
13	Heat Exchanger, 6-Section	231010106	*	*	*	1
14	Gasket, Heat Exchanger	2480905	2	2		
14		2480906	*	*	2	
14		2480908	*	*	*	2
15	Partition, Heat Exchanger Front	1008070	1	1		
15		1008071	*	*	1	
15		1008074	*	*	*	1
16	Gasket, Collector Box	1093661	1	1		
16		1093662	*	*	1	
16		1093663	*	*		1
17	Box, Collector	1011046	1			
17		1085424	*	1		
17		1085402	*	*	1	
17		1011057	*	*	*	1
18	Gasket, Blower	1011379	1	1	1	1
19	Blower, Exhaust	1085571	1	1	1	1
20	Switch, Vent Pressure	1085570	1	1	1	1
21	Tube, Sensor	1003687	1	1	1	1
22	Manifold, Condenser (Discharge)	1097653	1	1		
22		1097654	*	*	1	1
23	Manifold, Condenser (Liquid)	1085554	*	*	1	1
24	Port Valve Assembly	1083939	1	1	1	1
26	Capacitor, 35+5Mfd.,440Volt	1094984	1	1		
26	60+5Mfd.,370Volt	1095025	*	*	1	1
27	Coil, Condenser	1085550	1	1		
27		1085552	*	*	1	1
28	Manifold, Evaporator (Liquid)	1085444	1	1		
28		1085559	*	*	1	1
29	Manifold, Evaporator (Suction)	1085450	1	1		
29		1085560	*	*	1	1
30	Coil, Evaporator	1085426	1	1		
30		1085556	*	*	1	1
31	Switch, Limit (Blower Deck) 160F	34335000	1	1	1	1
32	Fan, Condenser	1096902	1	1	1	1
33	Motor, Condenser Fan	1082642	1	1	1	1
34	Contacto 25 Amp.	1050699	1	1		
34	40 Amp	1059574	*	*	1	1
35	Transformer	1082611	1	1	1	1
36	Timer, Fan	1084197	1	1	1	1
37	Orifice, Pilot Burner (Nat. Gas) .020	1160403	1	1	1	1
37	(L.P. Gas) .011	1009136	1	1	1	1
38	Tube, Pilot	64930	1	1	1	1
39	Ignitor & Sensor	1009524	1	1	1	1
40	Plug, Compressor Harness	1097674	1	1		
40		1097526	*	*	1	1
41	Pan, Drain	1098037	1	1	1	1

KEY NO.	DESCRIPTION	PART NUMBER	PGF036K060B	PGF036K080B	PGF060K100B	PGF060K140B
			GPFM36K060B	GPFM36K080B	GPFM60K100B	GPFM60K140B
A	Grille, Outlet	1084490	1	1	1	1
AA	Grille, Inlet	1084255	1	1		
AA		1084268	*	*	1	1
B	Panel, Top	1084120	1	1		
B		1084141	*	*	1	1
BB	Bracket, Pilot	1010901	1	1	1	1
C	Orifice, Condenser Fan	1065724	1	1	1	1
D	Housing, Blower	1066454	1	1		
D		1098056	*	*	1	1
DD	Panel, Compressor Access	1084137	1	1		
DD		1084168	*	*	1	1
H	Panel, Rear	1084104	1	1		
H		1096956	*	*	1	1
JJ	Panel, Blower Cutoff	1066448	1	1		
JJ		721020015	*	*	1	1
K	Panel, Blower Access	1084123	1	1		
K		1084152	*	*	1	1
LL	Nut, Cap	1067902	4	4	4	4
M	Post, Corner (Heating)	1084107	1	1		
M		1084108	*	*	1	1
SS	Rod, Flue Vent	1096969	1	1	1	1
U	Cover, Vent	1096970	1	1	1	1
V	Elbow, Exhaust Blower 90	1096959	1	1		
V		1084138	*	*	1	1
Z	Panel, Access Heating	1084134	1	1		
Z		1084150	*	*	1	1
) (Gas Conversion Kit (Nat. to L.P.)	1097389	1			
) (1160991	*	1	1	1
) (Gas Conversion Kit (L.P. to Nat.)					
) (Manual, Parts List	46204130100	1	1	1	1
) (Manual, User's Information	1068276	1	1	1	1
) (Manual, Installation	46201100100	1	1	1	1

Technical Labels

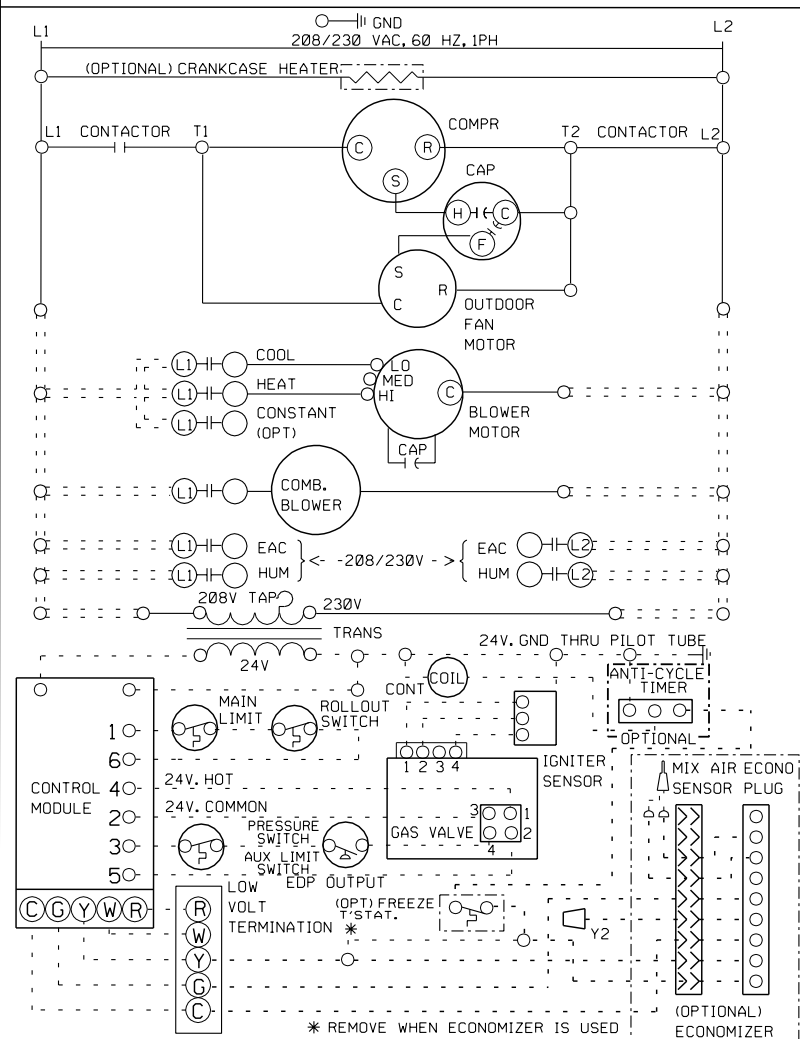
Style No:		PGF060K100 / GPFM60K100 (Low Heat)				Outdoor Ambient Temperature - Degrees F. Dry Bulb																				
		Gas Type				75																				
		NAT				85																				
		100				95																				
		IDB				105																				
		80				115																				
						Entering Indoor Temperature - Degrees F. Wet Bulb																				
						59 63 67 71																				
						59 63 67 71																				
						59 63 67 71																				
						59 63 67 71																				
						59 63 67 71																				
Voltage	208 / 230	Gas Type																								
Phase	1	Std Input																								
Ampacity	45	Low Fire Input																								
Delay Fuse	60	Std Output																								
Max. Fuse	70	Low Fire Output																								
Compressor	COPELAND	Regulation																								
		Gas Valve (HSP)																								
RLA	29.7	Manifold Press																								
LRA	170	Std orifice																								
Cap MFD/V	60 / 370	Low Fire Orifice																								
CC Heater		Pilot Orifice																								
Start Kit	NAMA001SC	Temp Rise																								
Cond & Evap	Cond	Evap	Ignition Type																							
			HSP																							
Type	Fan	Blower	Fan On/Off																							
Size	20	DD11-11	Limit Set Max																							
Motor-HP	1/3	1	Heat Antic																							
Type	PSC	PSC																								
FLA	1.9	6																								
LRA	3.8	15.1																								
RPM	1145	1140																								
Cap MFD/V	5/440	20/370																								
PTCR																										
Hi Press																										
Low Press																										
Operating Chg (No Lines)*	(R-22 Oz)																									
Service Driers																										
Liquid/Chg Suction	30 Cu In / 17 oz																									
Unit Weight	510																									
1096933																										

Style No:		PGF060K140 / GPFM60K140 (High Heat)				Outdoor Ambient Temperature - Degrees F. Dry Bulb																				
		Gas Type				75																				
		NAT				85																				
		140				95																				
		IDB				105																				
		112				115																				
						Entering Indoor Temperature - Degrees F. Wet Bulb																				
						59 63 67 71																				
						59 63 67 71																				
						59 63 67 71																				
						59 63 67 71																				
						59 63 67 71																				
Voltage	208 / 230	Gas Type																								
Phase	1	Std Input																								
Ampacity	45	Low Fire Input																								
Delay Fuse	60	Std Output																								
Max. Fuse	70	Low Fire Output																								
Compressor	COPELAND	Regulation																								
		Gas Valve (HSP)																								
RLA	29.7	Manifold Press																								
LRA	170	Std orifice																								
Cap MFD/V	60 / 370	Low Fire Orifice																								
CC Heater		Pilot Orifice																								
Start Kit	NAMA001SC	Temp Rise																								
Cond & Evap	Cond	Evap	Ignition Type																							
			HSP																							
Type	Fan	Blower	Fan On/Off																							
Size	20	DD11-11	Limit Set Max																							
Motor-HP	1/3	1	Heat Antic																							
Type	PSC	PSC																								
FLA	1.9	6																								
LRA	3.8	15.1																								
RPM	1145	1140																								
Cap MFD/V	5/440	20/370																								
PTCR																										
Hi Press																										
Low Press																										
Operating Chg (No Lines)*	(R-22 Oz)																									
Service Driers																										
Liquid/Chg Suction	30 Cu In / 17 oz																									
Unit Weight	520																									
1096934																										

3 Ton Units

LADDER WIRING DIAGRAM

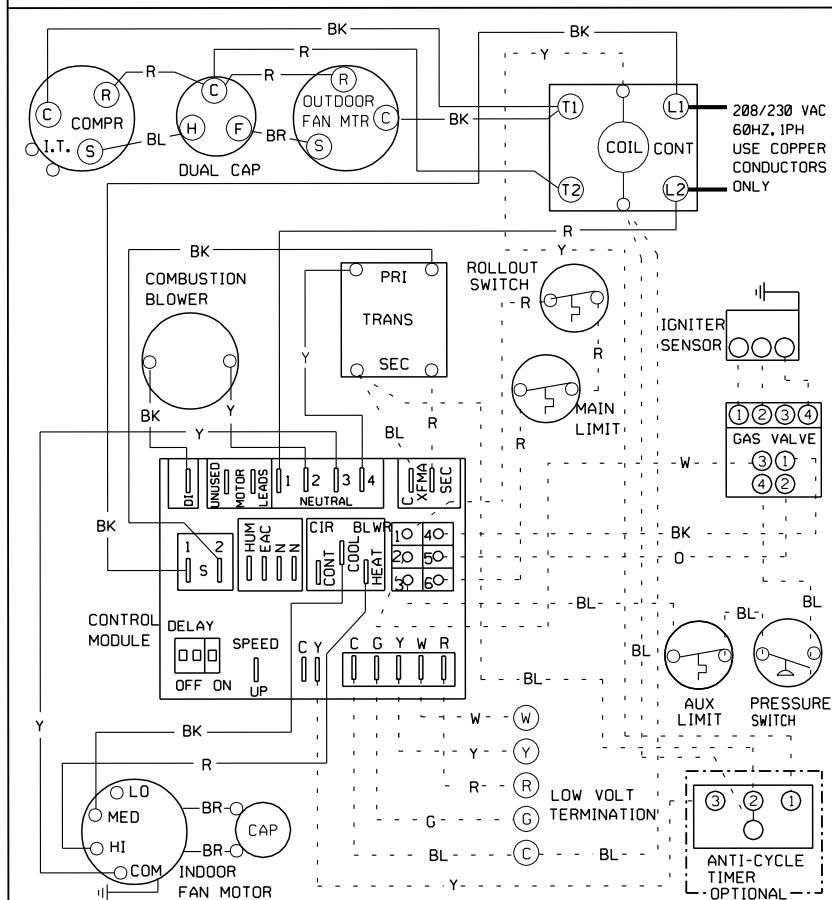
DANGER: ELECTRICAL SHOCK HAZARD DISCONNECT POWER BEFORE SERVICING



1084192

CONNECTION WIRING DIAGRAM

DANGER: ELECTRICAL SHOCK HAZARD DISCONNECT POWER BEFORE SERVICING



IF ANY OF THE ORIGINAL WIRE AS SUPPLIED WITH THE APPLIANCE MUST BE REPLACED, IT MUST BE REPLACED WITH TYPE AWM-105°C OR ITS EQUIVALENT.

• SEE INSTALLATION INSTRUCTIONS FOR PROPER HEATING AND COOLING CONNECTIONS FOR YOUR UNIT

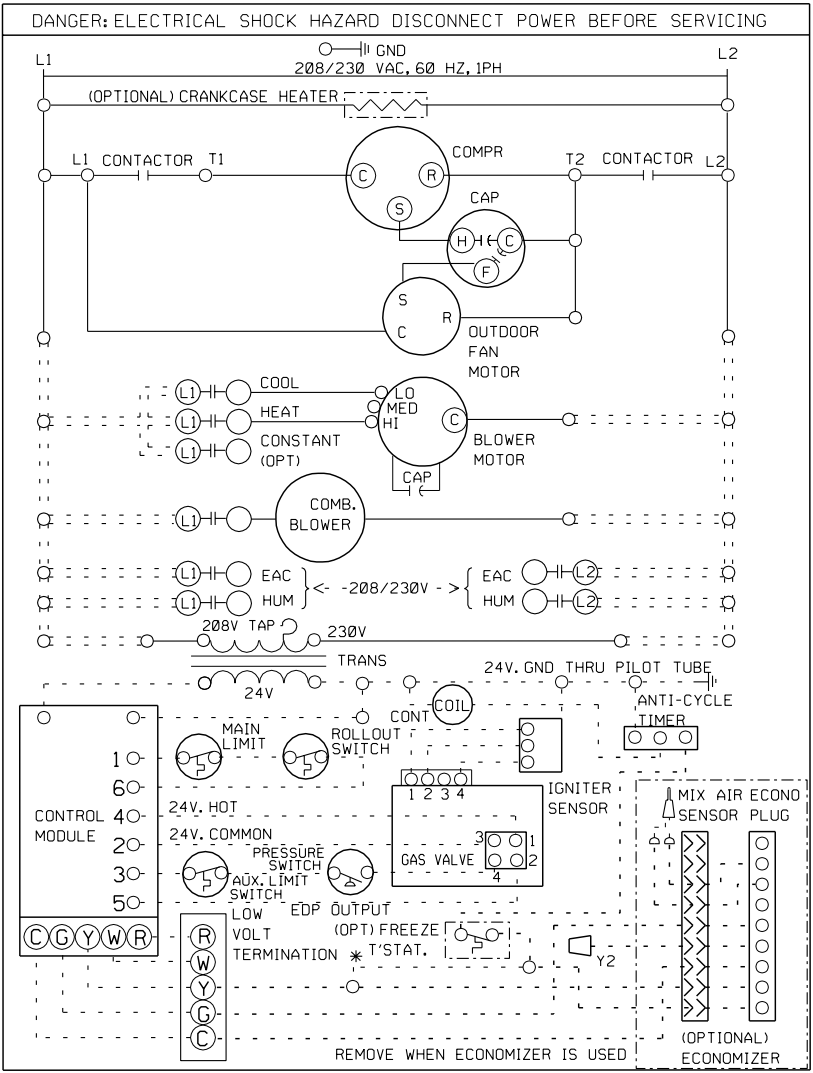
— LINE VOLTAGE FACTORY — LOW VOLTAGE FACTORY — INTERNAL CIRCUIT BOARD WIRING

COLOR CODE:	GREEN G	BLACK BK	BROWN BR	RED R	WHITE W
	ORANGE O	BLUE BL	GRAY GR	VIOLET V	YELLOW Y

1084191

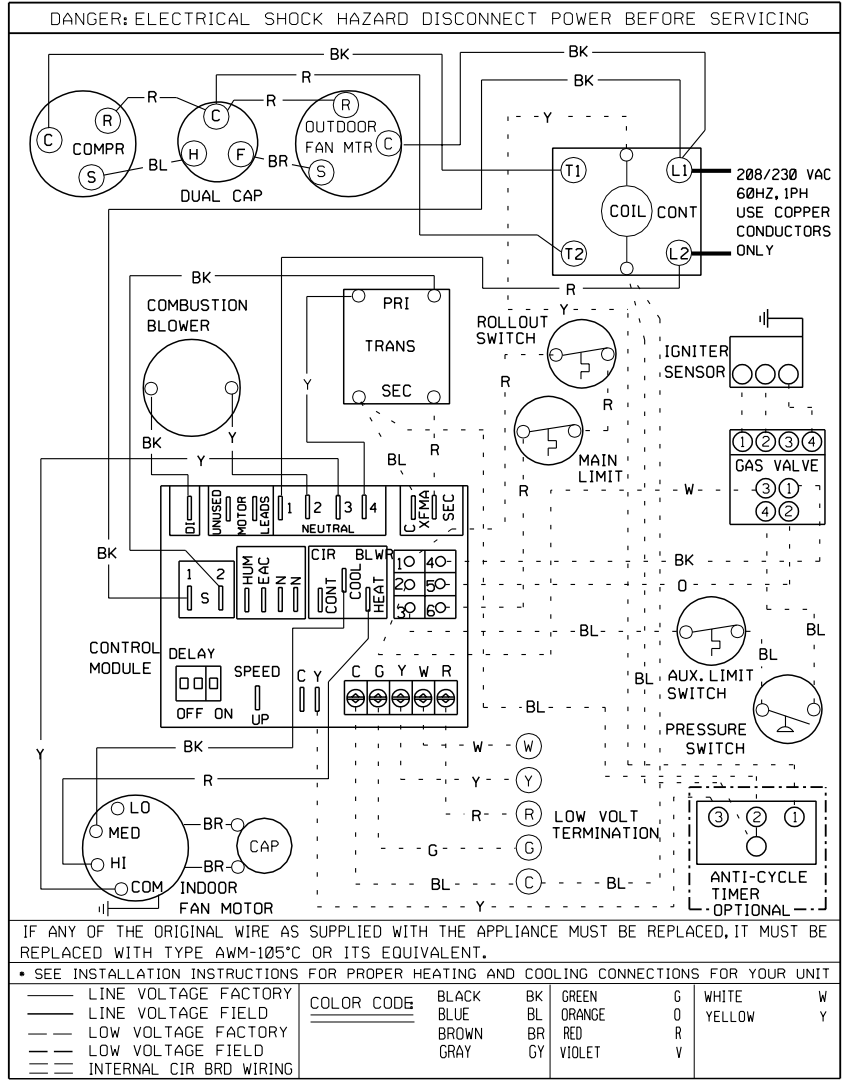
5 Ton Units

LADDER WIRING DIAGRAM



1084196

CONNECTION WIRING DIAGRAM



1084195