

Hoshizaki America, Inc.

Modular Crescent Cuber

Models

KM-1601MRH/3



“A Superior Degree
of Reliability”

www.hoshizaki.com

PARTS LIST



Number: 71245
Issued: 9-2-2005
Revised: 2-13-2012

CONTENTS

Auxiliary Codes.....	3
Note About Ordering Parts	3
A. Ice Cuber Assembly & Refrigeration Circuit	4
B. Water Circuit	7
C. Control Box Assembly	11
D. Accessories, Labels, & Packaging.....	12

Auxiliary Codes

KM-1601MRH Q-0 May 2005
R-0 February 2006
R-1 August 2006
S-1 January 2007
T-0 January 2008
U-0 January 2009
U-1 August 2009
V-0 January 2010
V-1 July 2010
A-0 January 2011
A-1 September 2011
B-0 January 2012

KM-1601MRH3 Q-0 May 2005
R-0 February 2006
R-1 August 2006
S-1 January 2007
T-0 January 2008
U-0 January 2009
U-1 August 2009
V-0 January 2010
V-1 July 2010
A-0 January 2011
A-1 October 2011
B-0 January 2012

Auxiliary Code Breakdown

The auxiliary code is the first two characters in the serial number. The first character indicates the year. Years progress or regress in alphabetical order. The series runs from "A" through "V" and the letters "I" and "O" are skipped. The second character indicates significant part changes within a year. Base is "0" and this number advances for each change. In cases where there is a letter in parentheses, this designates the month. This is the last character in the serial number. The series runs from "(A)" through "(M)" and the letter "(I)" is skipped. This designation is only included when identifying a parts change within an auxiliary code.

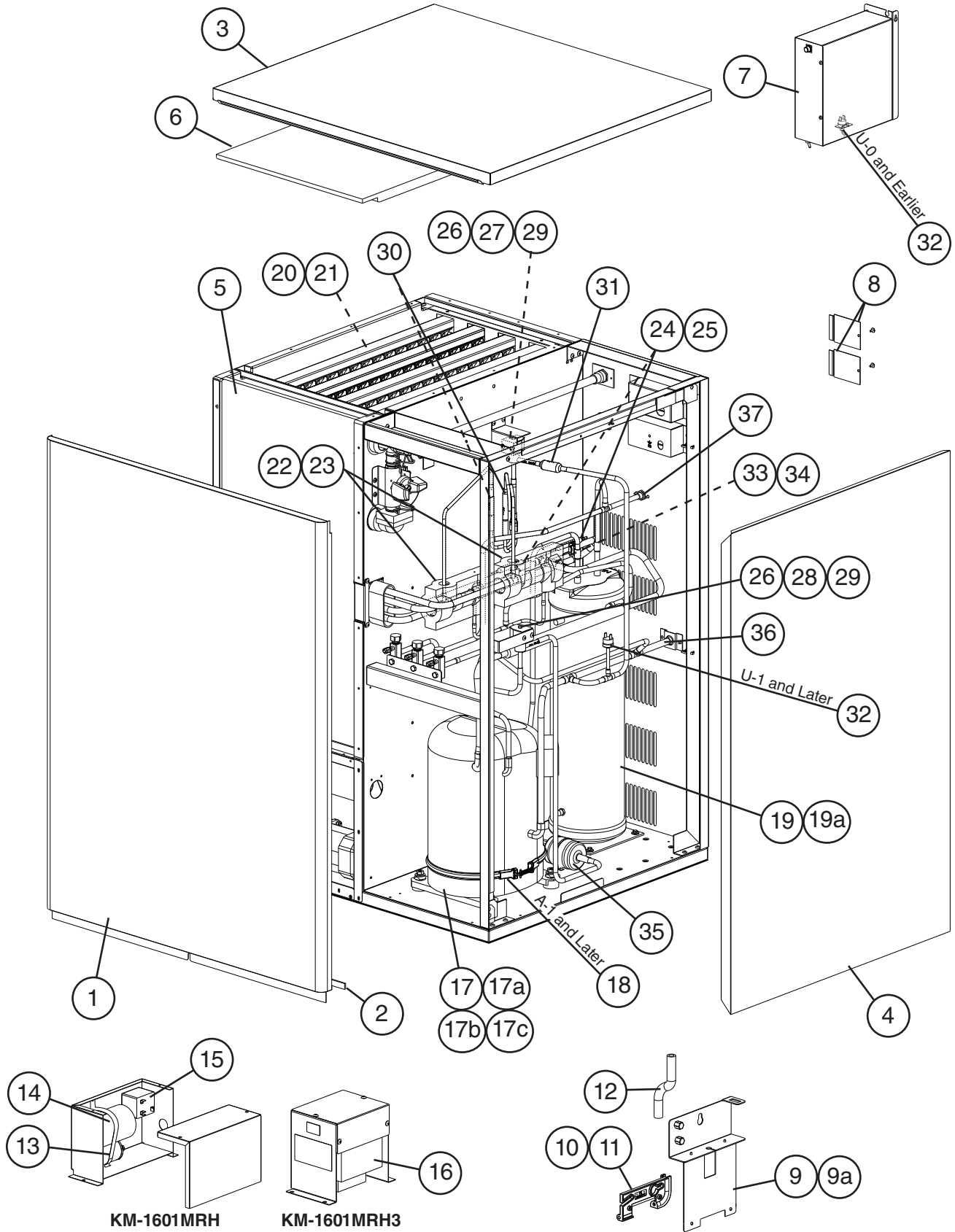
Note About Ordering Parts

Most assemblies cannot be ordered as complete units; parts in the assemblies generally must be ordered separately.

A. Ice Cuber Assembly & Refrigeration Circuit

KM-1601MRH/3

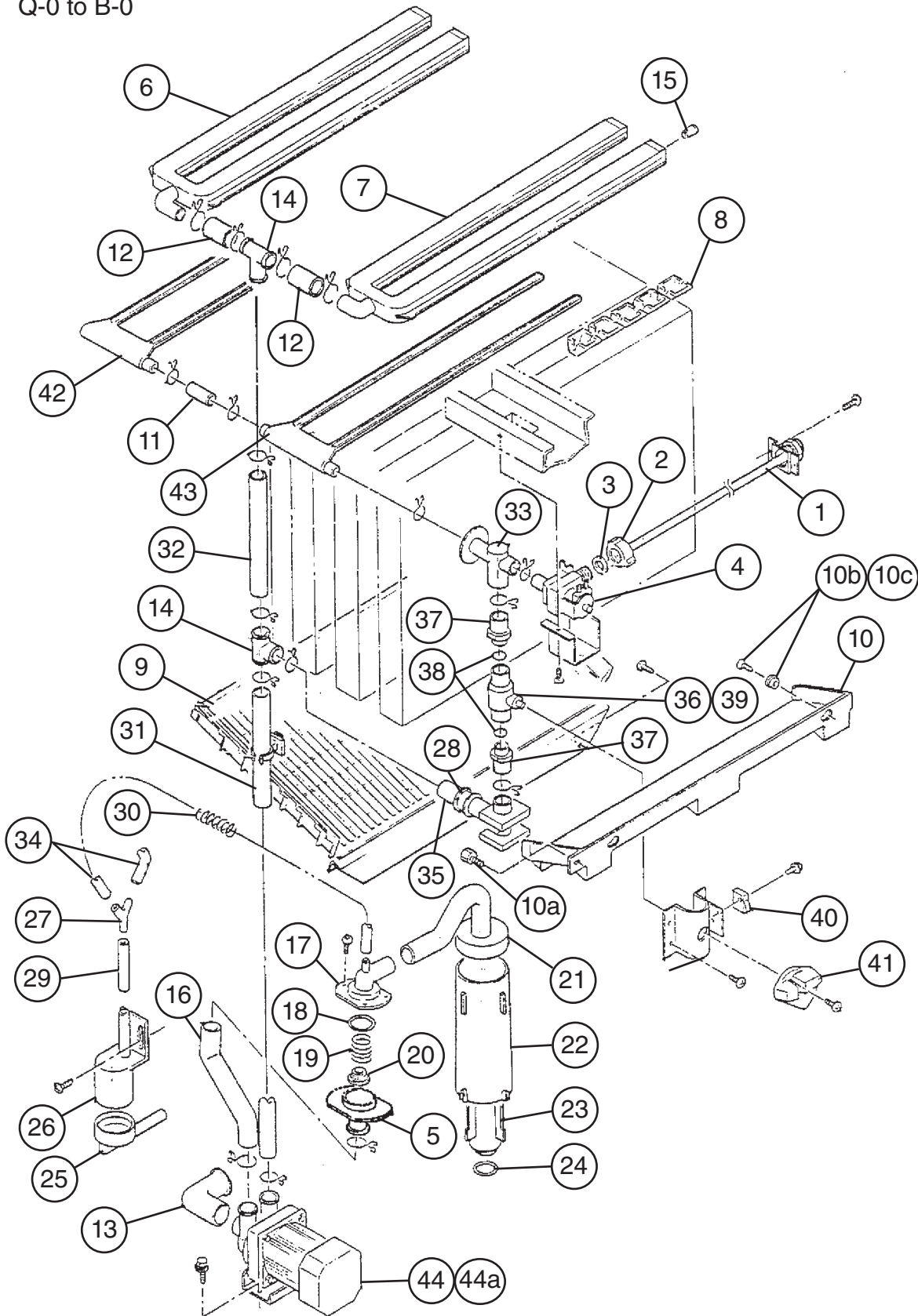
Q-0 to B-0



Title: A. Ice Cuber Assembly & Refrigeration Circuit Model: KM-1601MRH/3											
Index No.	Description	Material or Model Number	Part Number	Required Number							
				Q-0 R-0	R-1 to U-0	U-1 to A-0	A-1 B-0				
Ice Cuber Assembly Order Assembly Parts Individually Assembly Number for Reference Only		KM-1601MRH	1A0600A05	1	1	1	1				
		KM-1601MRH3	1A0600A06	1	1	1	1				
1	Front Panel		2A2164-02	1	1	1	1				
2	Gasket	L=762	4A0808L02	1	1	1	1				
3	Top Panel		3A1941A01	1	1	1	1				
4	Right Side Panel		2A2165G01	1	1	1	1				
5	Front Insulation		322711G01	1	1	1	1				
6	Top Insulation		322714G01	1	1	1	1				
7	Control Box Cover		3A2386-01	1	1	1	1				
8	Junction Box Cover		433410-01	2	2	2	2				
9	Bin Control Bulb Holder		322815G02	1	1	1	1				
9a	Thumbscrew		415949G10	2	2	2	2				
10	Bin Control Bulb Holder		328919-01	1	-						
			3A3903-01		1	1	1				
11	Spacer		443545-01	2	-						
12	Silicone Hose	L=285	7730I3812		1	1	1				
13	Run Capacitor	KM-1601MRH 35MFD, 370VAC	3A2005-05	1	1	1	1				
14	Start Capacitor	KM-1601MRH 145-175MFD, 250V	3A0076-01	1	1	1	1				
15	Start Relay (Starter)	KM-1601MRH	4A1107-09	1	1	1	1				
16	Main Transformer	KM-1601MRH3	4A0817-01	1	1	1	1				
Refrigeration Circuit Order Assembly Parts Individually Assembly Number for Reference Only											
		KM-1601MRH	1A0242A07	1	-						
			1A1247A01		1	-					
			1A1830A01			1	1				
		KM-1601MRH3	1A0242A08	1	-						
			1A1247A02		1	-					
			1A1830A02			1	1				
17	Compressor (A-1 and later utilize external crankcase heater - item 18)	KM-1601MRH	4A2334-02	1	1	1	-				
			4A2334-01				1				
		KM-1601MRH3	4A2330-02	1	1	1	-				
			4A2330-01					1			
17a	Grommet		434922-01	4	4	4	4				
17b	Spacer		434921-01	4	4	4	4				
17c	Bolt	8x45	437889-01	4	4	4	4				
18	Crankcase Heater		434186-01				1				
19	Receiver		440366-01	1	1	1	1				
19a	Hex Head Bolt w/Washer	5x10	7B0130510	3	3	3	3				
20	Evaporator (includes item 21)		104442G03	1	1	1	1				
21	Evaporator Plate		103317G01	4	4	4	4				
22	Thermostatic Expansion Valve		4A1482-01	2	2	2	2				
23	Thermostatic Expansion Valve Cover		3A0944-01	2	2	2	2				

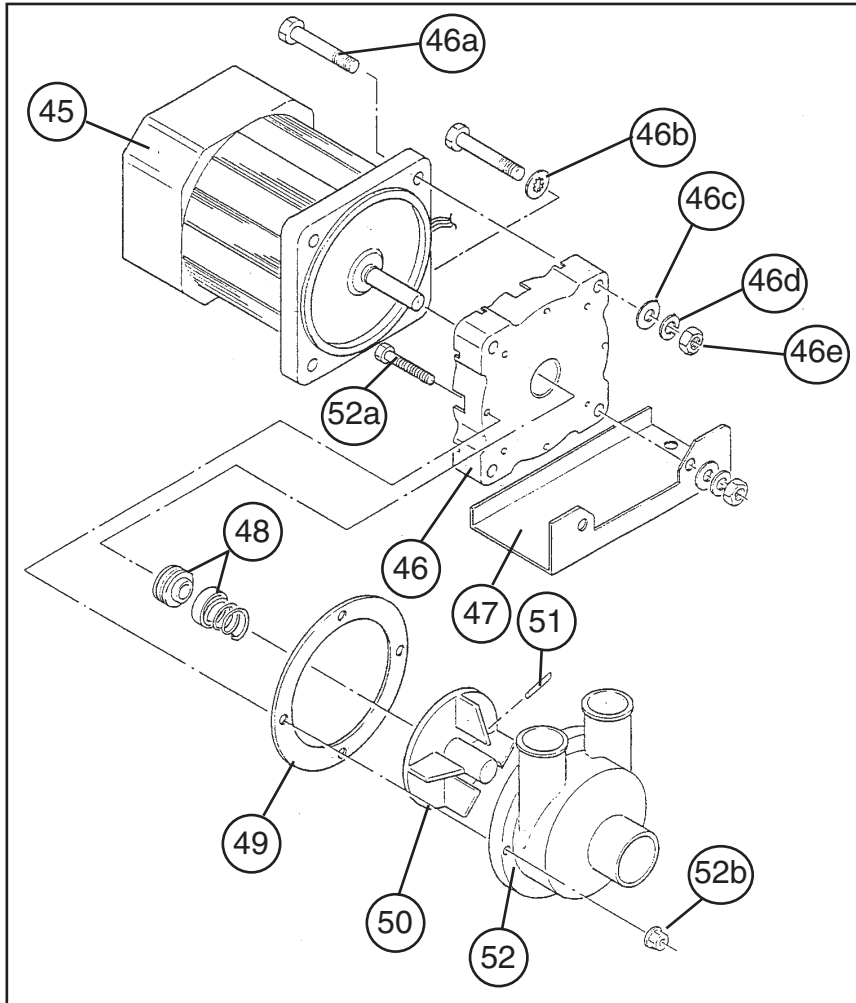
Title: A. Ice Cuber Assembly & Refrigeration Circuit Model: KM-1601MRH/3												
Index No.	Description	Material or Model Number	Part Number	Required Number								
				Q-0 R-0	R-1 to U-0	U-1 to A-0	A-1 B-0					
24	Thermostatic Expansion Valve Bulb Holder		3A0107-01	2	2	2	2					
25	Clamp		443461-01	2	2	2	2					
26	Valve Body		440352-01	2	-							
27	Hot Gas Valve Body		4A3978-01		1	1	1					
28	Liquid Line Valve Body		4A3276-01		1	1	1					
29	Valve Coil		440353-01	2	-							
			4A3277-01		2	2	2					
30	Check Valve		4A1373-01	2	2	2	2					
31	Strainer		441569-02	1	1	1	1					
32	High-Pressure Switch		433441-07	1	1	-						
			463180-04			1	1					
33	Thermistor		429006-03	1	1	1	1					
34	Thermistor Holder		427430-01	1	1	1	1					
35	Drier		4A2663-01	1	1	1	1					
36	Discharge Line Coupling		434136G01	1	1	1	1					
37	Liquid Line Coupling		433751G01	1	1	1	1					

B. Water Circuit
1/2
KM-1601MRH/3
Q-0 to B-0



B. Water Circuit
2/2
KM-1601MRH/3
Q-0 to B-0

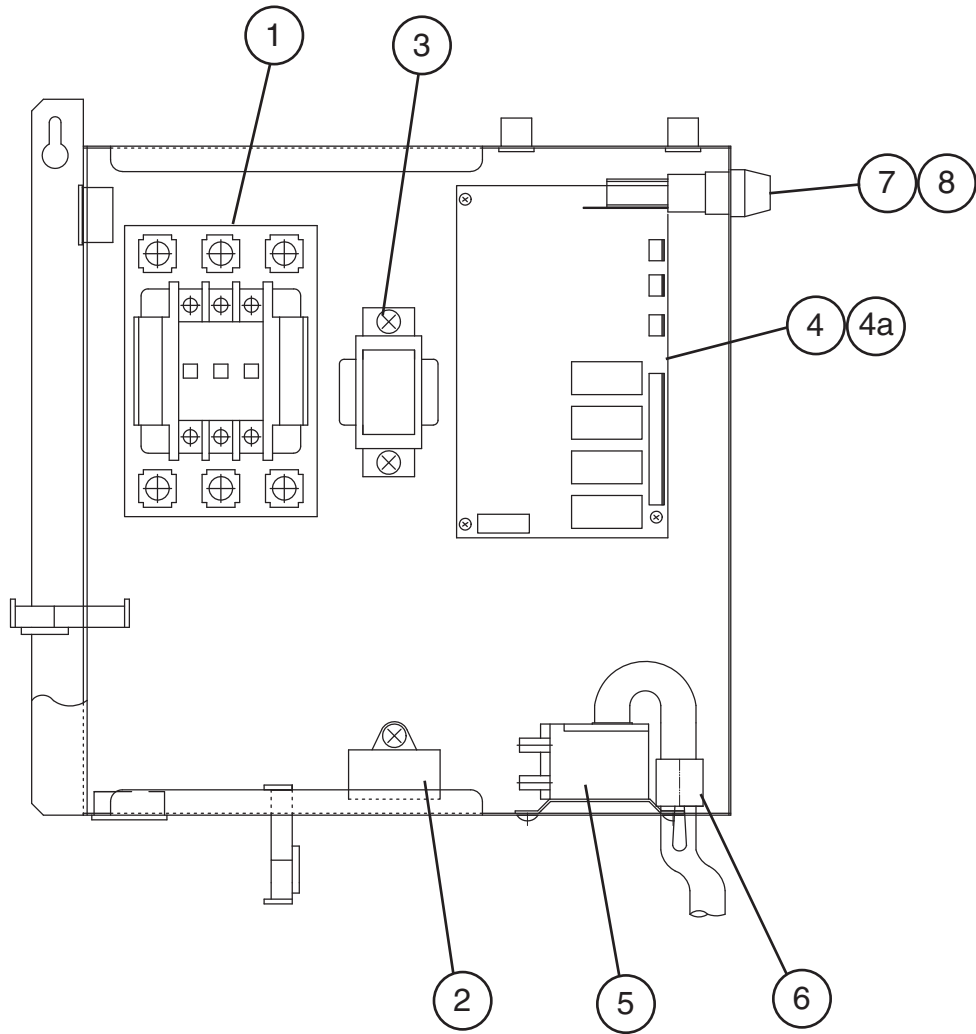
44 44a



Title: B. Water Circuit Model: KM-1601MRH/3											
Index No.	Description	Material or Model Number	Part Number	Required Number							
				Q-0 to R-1	S-1 to A-0	A-1 B-0					
Water Circuit			1A0094A06	1	1	1					
Order Assembly Parts Individually											
Assembly Number for Reference Only											
1	Water Supply Pipe (includes item 2)		4A5216G04	1	1	1					
2	Water Supply Pipe Fitting Nut		468616-01	1	1	1					
3	Rubber Gasket		413854-03	1	1	1					
4	Water Valve		3U0111-02	1	1	1					
5	Drain Valve Housing		435054-01	1	1	1					
6	Spray Tube		1A0260-02	1	1	1					
7	Spray Tube		1A0260-01	1	1	1					
8	Spray Guide		208586-01	12	12	12					
9	Cube Guide A		214905-01	1	1	1					
10	Cube Guide B		322644-02	1	1	1					
10a	Thumbscrew		415949G12	1	1	1					
10b	Collar		435269-01	2	2	2					
10c	T2 Flat Head Screw		7P22-0416	2	2	2					
11	Vinyl Hose	L=58	7716-1519	1	1	1					
12	Vinyl Hose	L=63	7716-2025	2	2	2					
13	Hose A		435091-01	1	1	1					
14	Distributor		432426-01	2	2	2					
15	Plug		4A0176-01	4	4	4					
16	Drain Hose		435092-01	1	1	1					
17	Drain Valve B		3A1170-01	1	1	1					
18	"O" Ring		7611-G035	1	1	1					
19	Spring		322685-01	1	1	1					
20	Valve Seat		433705-01	1	1	1					
21	Hose C		326655-01	1	1	1					
22	Overflow Cap		322816-01	1	1	1					
23	Overflow Pipe		322691-01	1	1	1					
24	"O" Ring		4A1234-01	1	1	1					
25	Float Switch Connector		426799-01	1	1	1					
26	Float Switch		4A0886-02	1	-						
			4A3624-02		1	1					
27	Connector		432763-01	1	1	1					
28	Rubber Ring		439236-01	1	1	1					
29	Silicone Hose	L=80	773013812	1	1	1					
30	Spring		435825-01	1	1	1					
31	Vinyl Hose	L=670	7716-2025	1	1	1					
32	Vinyl Hose	L=190	7716-2025	1	1	1					
33	Tee		4A0177-01	1	1	1					
34	Silicone Hose	L=130	773013812	2	2	2					
35	Bypass Hose		439265-01	1	1	1					
36	Ball Valve Assembly (includes items 37 through 39)	S-0761	442137A01	1	1	1					
37	Male Adaptor		325826-01	2	2	2					
38	"O" Ring		7611-P018	2	2	-	Replaced with thread sealant tape				
39	Ball Valve		439293-01	1	1	1					

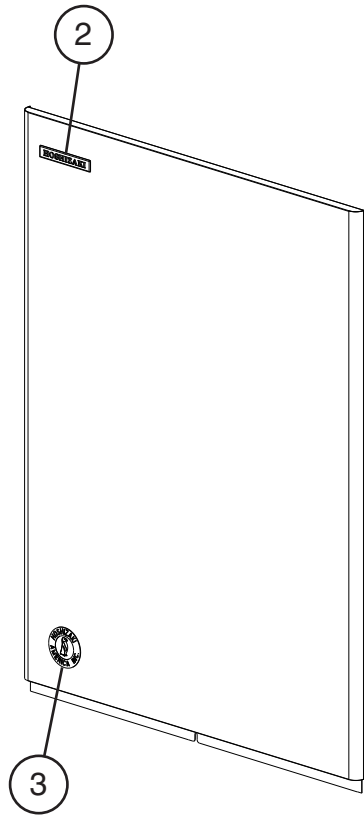
Title: B. Water Circuit Model: KM-1601MRH/3											
Index No.	Description	Material or Model Number	Part Number	Required Number							
				Q-0 to R-1	S-1 to A-0	A-1 B-0					
40	Microswitch		4A2546-01	1	1	1					
41	Handle		215383-01	1	1	1					
42	Water Supply Tube		2A0079-01	1	1	1					
43	Water Supply Tube		2A0079-02	1	1	1					
44	Pump Motor Assembly (includes items 44a through 52b)	S-0731	215693A01	1	1	1					
44a	Hex Head Bolt w/Washer (LF)	SS, 5x12	7B0230512	1	1	1					
45	Pump Motor		2U0106-01	1	1	1					
46	Pump Flange		215662-01	1	1	1					
46a	Hexagon Bolt	SS, 6x40	7B02-0640	4	4	4					
46b	Tooth Washer	SS, M6	7R22-0600	1	1	1					
46c	Flat Washer	SS, M6	7W22-0600	4	4	4					
46d	Split Lock Washer	SS, M6	7L22-0600	4	4	4					
46e	Nut	SS, M6	7N12-0600	4	4	4					
47	Pump Motor Bracket	SS	435057-01	1	1	1					
48	Mechanical Seal		4A3820-01	1	1	1					
49	Packing		428547-01	1	1	1					
50	Impeller		428548-01	1	1	1					
51	Pin	SS	4A0648-01	1	1	1					
52	Pump Housing		212636-01	1	1	1					
52a	Hexagon Bolt	SS, 4x30	7B02-0430	4	4	4					
52b	Flange Nut	SS, M4	7J02-0400	4	4	4					
Hose Clamps											
	Hose Clamp	18mm, SS	427443-05	4	4	4					
		25mm, SS	427443-03	11	11	11					
		27mm, SS	427443-08	2	2	2					

C. Control Box Assembly
KM-1601MRH/3
 Q-0 to B-0



Title: C. Control Box Assembly Model: KM-1601MRH/3									
Index No.	Description	Material or Model Number	Part Number	Required Number					
				Q-0 to V-0	V-1 to B-0				
Control Box Assembly			2A2527A01	1	-				
Order Assembly Parts Individually			2A6044A01		1				
Assembly Number for Reference Only									
1	Magnetic Contactor		4A0794-01	1	1				
2	Pump Motor Capacitor	10MFD, 250VAC	443192-01	1	1				
3	Control Transformer		3A0172-01	1	1				
4	"E" Control Board		2A1410-01	1	1				
4a	Control Board Support		4A0336-03	4	4				
5	Bin Control Thermostat		4A2879-02	1	1				
6	Control Switch		443119-01	1	1				
7	Fuse Holder		4A5443-01	1	1				
8	Fuse	10A, 250V	4A0893-07	1	1				

D. Accessories, Labels, & Packaging
KM-1601MRH/3
 Q-0 to B-0



Title: D. Accessories, Labels, & Packaging Model: KM-1601MRH/3											
Index No.	Description	Material or Model Number	Part Number	Q-0 to B-0	Required Number						
1	Universal Brace		4A0363-01	2							
1a	Hex Head Bolt	SS, 5x12	7B02-0512	2							
2	Hoshizaki Emblem Label		4A0560-01	1							
3	Penguin Label		4A0526-01	1							
	Packaging		2A2126A04								