



HOSHIZAKI

Parts List

Modular Crescent Cuber
Serenity Series

Models
KMS-830MLH



hoshizakiamerica.com

Number: 71324
Issued: 5-17-2011
Revised: 7-5-2016

CONTENTS

Auxiliary Codes.....	3
Note About Ordering Parts	3
A. Main Assembly and Refrigeration Circuit.....	4
B. Water Circuit	6
C. Control Box Assembly	9
D. Accessories & Labels	10

Auxiliary Codes

KMS-830MLH

A-0	April 2011
B-0	April 2012
C-0	March 2013
C-1	September 2013
D-0	February 2014
E-0	March 2015
F-0	March 2016

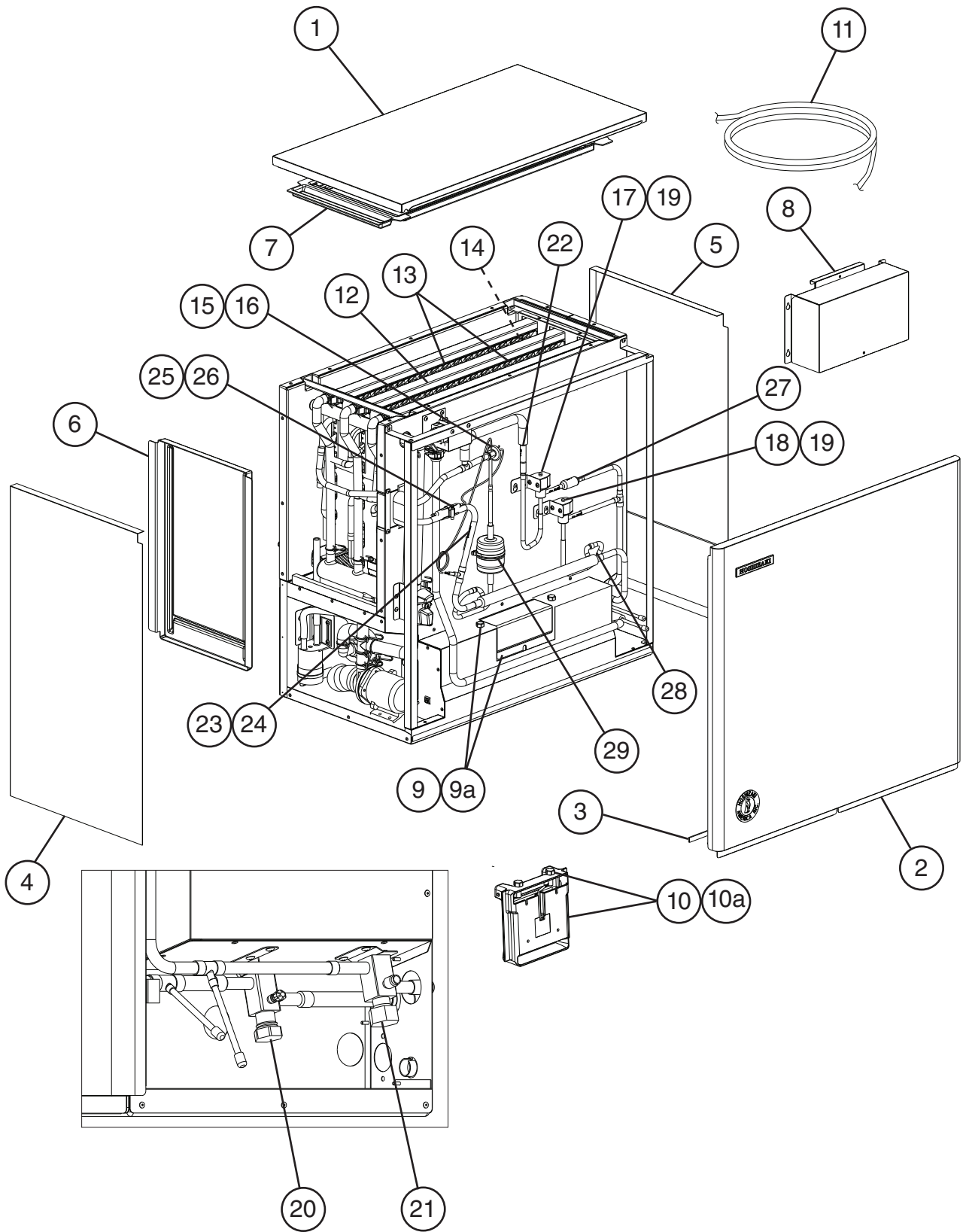
Auxiliary Code Breakdown

The auxiliary code is the first two characters in the serial number. The first character indicates the year. Years progress or regress in alphabetical order. The series runs from "A" through "V" and the letters "I" and "O" are skipped. The second character indicates significant part changes within a year. Base is "0" and this number advances for each change. In cases where there is a letter in parentheses, this designates the month. This is the last character in the serial number. The series runs from "(A)" through "(M)" and the letter "(I)" is skipped. This designation is only included when identifying a parts change within an auxiliary code.

Note About Ordering Parts

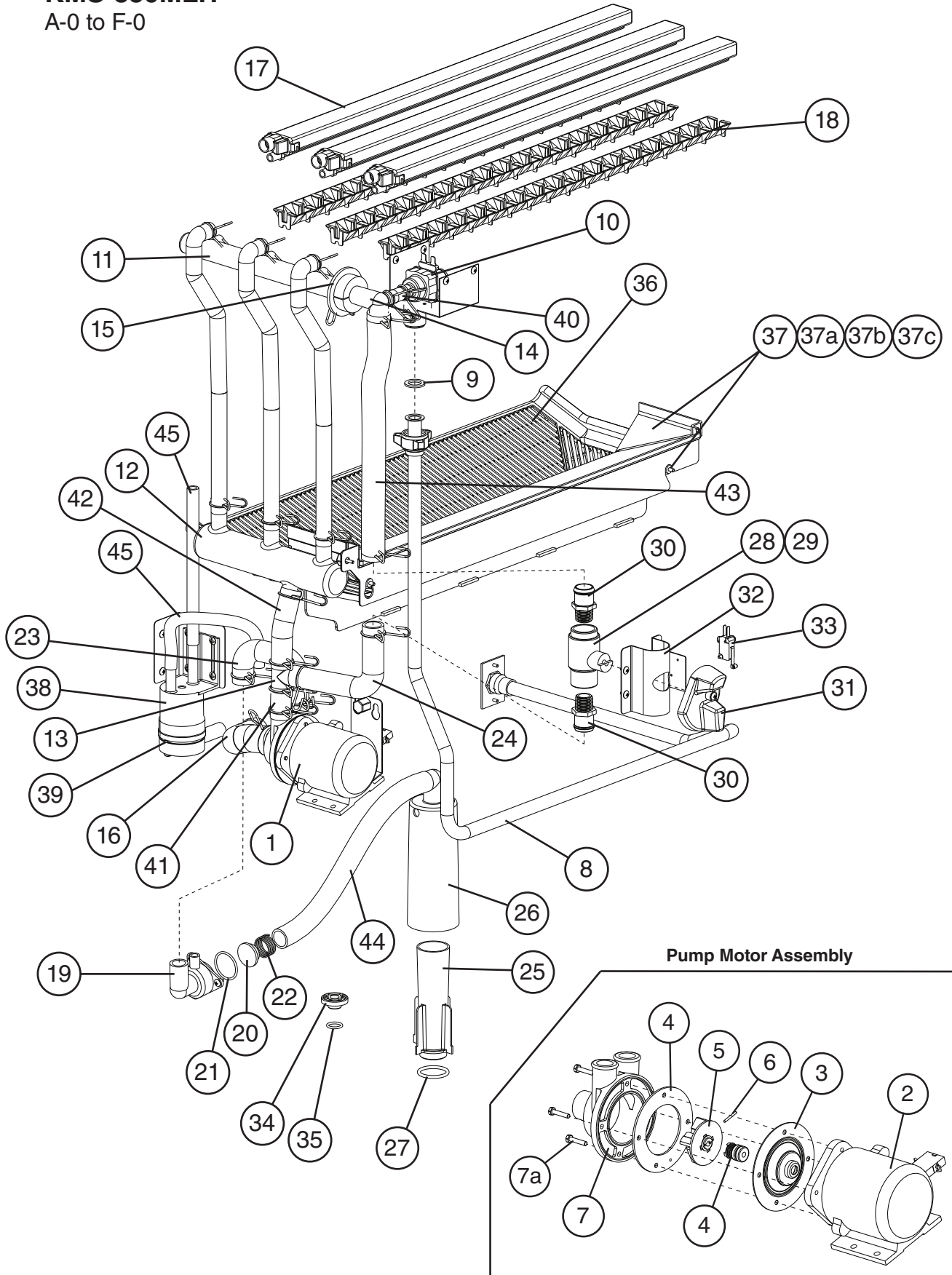
Most assemblies cannot be ordered as complete units; parts in the assemblies generally must be ordered separately.

A. Main Assembly and Refrigeration Circuit
KMS-830MLH
 A-0 to F-0



Title: A. Main Assembly and Refrigeration Circuit					Model: KMS-830MLH							
Index No.	Description	Material or Model Number	Part Number	A-0 to F-0	Required Number							
Main Assembly												
1	Top Panel		2A6262-01	1								
2	Front Panel		2A6454-01	1								
3	Gasket		4A0808L02	1								
4	Left Side Panel		2A6456-01	1								
5	Right Side Panel		2A6287G01	1								
6	Left side Insulation		3A6364G01	1								
7	Top Insulation		3A6363G01	1								
8	Control Box Cover		3A6373-01	1								
9	Bin Control Cover		3A2642-01	1								
9a	Thumbscrew		415949G10	2								
10	Bin Control		2A4393G01	1								
10a	Thumbscrew		415949G10	2								
11	Wire Harness		4A2200G04	1								
Refrigeration Circuit												
12	Evaporator (includes items 11 and 12)		2A6365G01	1								
13	Outer Evaporator Plate		2A6363G01	2								
14	Center Evaporator Plate		2A6364G01	1								
15	Thermostatic Expansion Valve		4A5302-01	1								
16	Thermostatic Expansion Valve Cover		3A0944-01	1								
17	Hot Gas Valve Body		4A3978-01	1								
18	Line Valve Body		4A3276-01	1								
19	Valve Coil		4A3277-01	2								
20	Suction Line Shutoff Valve		4A3490-01	1								
21	Liquid Line Shutoff Valve		4A4822-01	1								
22	Check Valve		4A2054-01	1								
23	Thermistor		429006-03	1								
24	Thermistor Holder		427430-01	1								
25	Thermostatic Expansion Valve Bulb Holder		3A0107-01	1								
26	Clamp		443461-02	1								
27	Strainer		441569-02	1								
28	Heat Exchanger		4A3754-01	1								
29	Drier		4A2663-01	1								

B. Water Circuit
KMS-830MLH
 A-0 to F-0



Title: B. Water Circuit Model: KMS-830MLH

Index No.	Description	Material or Model Number	Part Number	A-0 to F-0	Required Number									
1	Pump Motor Assembly (includes items 2 through 8)		3A2638A03	1										
2	Pump Motor		2A2758-01	1										
3	Pump Flange		3A2988-01	1										
4	Mechanical Seal		465627-01	1										
5	Impeller		433522-01	1										
6	Pin		4A0648-01	1										
7	Pump Housing		211409-01	1										
7a	Screw	4x20	4A3871-01	4										
8	Water Supply Pipe		3A6358G01	1										
9	Rubber Gasket		413854-03	1										
10	Inlet Water Valve		3U0111-03	1										
11	Distributor Hose A		325738-01	1										
12	Distributor Hose C		3A6345-01	1										
13	Distributor		432426-01	1										
14	Distributor B		3A6353-01	1										
15	Flange		439267-01	1										
			439267-02											
16	Suction Hose		4A3001-02	1										
17	Spray Tube		4A3715G01	3										
18	Spray Guide		118939P01	3										
19	Drain Valve Housing		323613-01	1										
20	Valve Seat		433705-01	1										
21	O-Ring		7611-G035	1										
22	Spring		322110-01	1										
23	Drain Hose		4A5270-01	1										
24	Bypass Hose		4A5278-01	1										
25	Overflow Pipe		430722-08	1										
26	Overflow Cap		321002-01	1										
27	O-Ring		4A1234-01	1										
28	Ball Valve Assembly (includes items 29 and 30)		442137A01	1										
29	Ball Valve		439293-01	1										
30	Male Adaptor		325826-01	2										
31	Handle		215383-01	1										
32	Valve Holder		3A1178-01	1										
33	Microswitch		4A2546-01	1										
34	Drain Plug		309246-01	1										
35	O-Ring		7611-P015	1										
36	Cube Guide A		1A2081-01	1										
37	Cube Guide B		1A2082-01	1										
37a	Collar		435269-01	2										
37b	Flat Head T2 Screw	4x12	7P22-0412	2										
37c	Thumbscrew		415949G10	1										

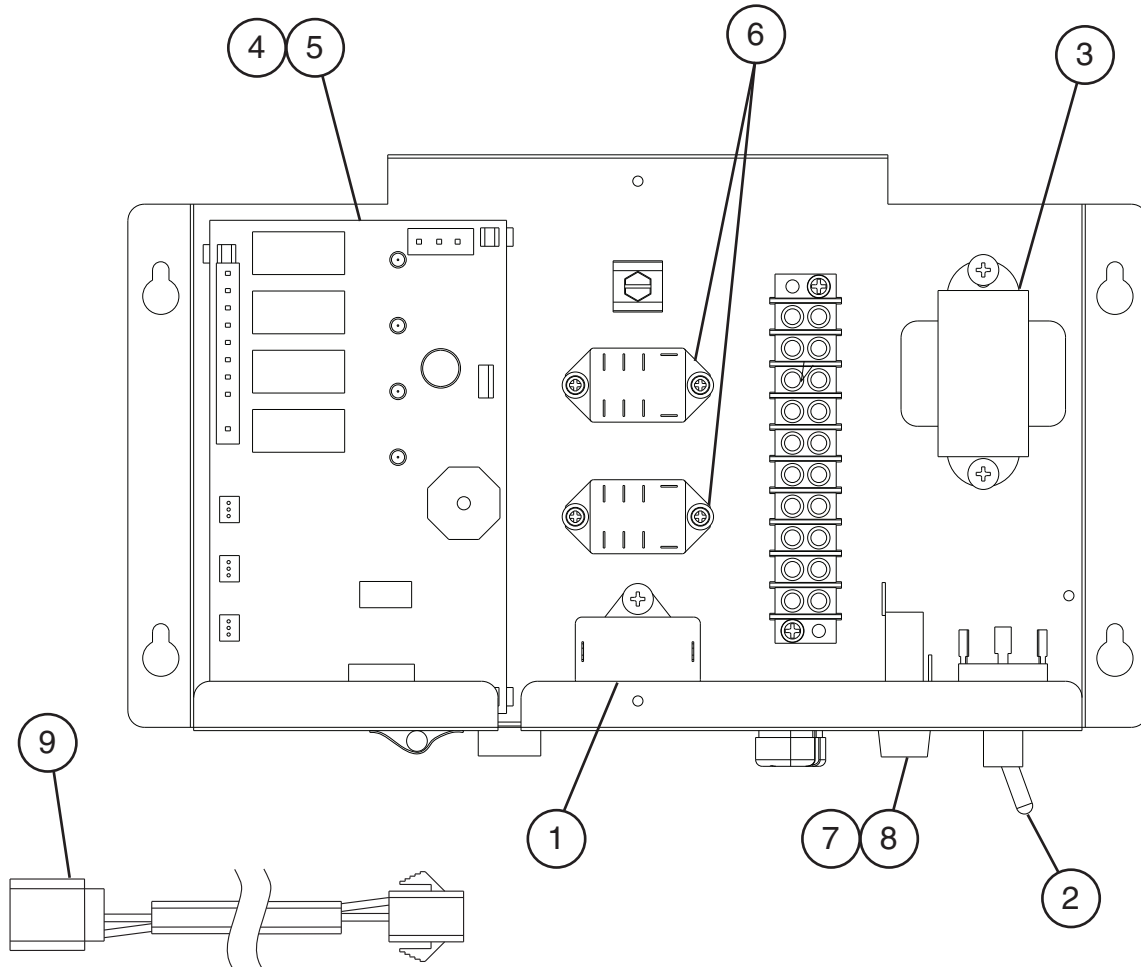
Title: B. Water Circuit Model: KMS-830MLH

Index No.	Description	Material or Model Number	Part Number	Required Number																
				A-0 to F-0																
38	Float Switch		4A3624-01	1																
39	Float Switch Connector		426799-03	1																
40	Vinyl Hose	L=40 mm	7716-1216	1																
41	Vinyl Hose	L=40 mm	7716-2025	1																
42	Vinyl Hose	L=100 mm	7716-2025	1																
43	Vinyl Hose	L=315 mm	7716-2025	1																
44	Vinyl Hose	L=335 mm	7716-2025	1																
45	Silicone Hose	L=180 mm	7730I3896	2																
Hose Clamps																				
	Hose Clamp	25 mm	427443-03	11																
	Hose Clamp	16.5 mm	427443-04	2																
	Hose Clamp	18 mm	427443-05	3																
	Hose Clamp	20 mm	427443-06	3																

C. Control Box Assembly

KMS-830MLH

A-0 to F-0

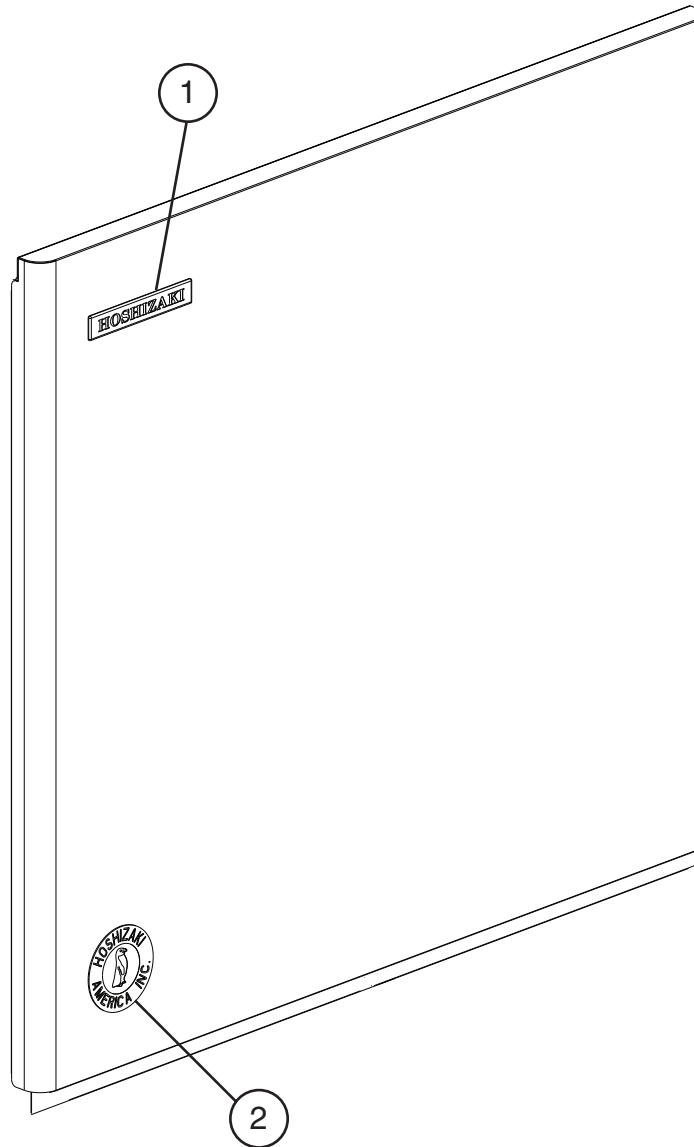


Title: C. Control Box Assembly		Model: KMS-830MLH		Required Number							
Index No.	Description	Material or Model Number	Part Number	A-0	B-0 to F-0						
				1	Pump Motor Capacitor	5.5MFD, 250VAC	443192-03	1	1		
2	Control Switch		443119-01	1	1						
3	Control Transformer		3A0172-01	1	1						
4	Control Board		2A3792-01	1	1						
5	Control Board Support		4A0336-03	4	4						
6	Relay (X10 and X11)		406132-07	2	2						
7	Fuse Holder		4A3449-01	1	-						
			4A5443-01		1						
8	Fuse	ACG-10A, 250VAC	4A0893-07	1	1						
9	Wire Harness (Bin Control)		4A2200G04	1	1						

D. Accessories & Labels

KMS-830MLH

A-0 to F-0



Title: D. Accessories & Labels Model: KMS-830MLH													
Index No.	Description	Material or Model Number	Part Number	Required Number									
				A-0 to F-0									
1	Hoshizaki Emblem Label		4A0560-01	1									
2	Penguin-HA-Label		4A0526-01	1									
3	Universal Brace		4A5357-01	2									
3a	Hex Bolt	5x12, SS	7B02-0512	2									