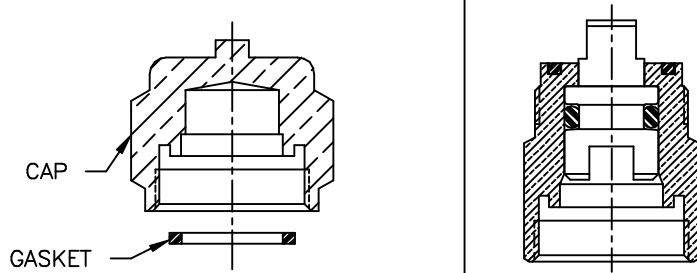
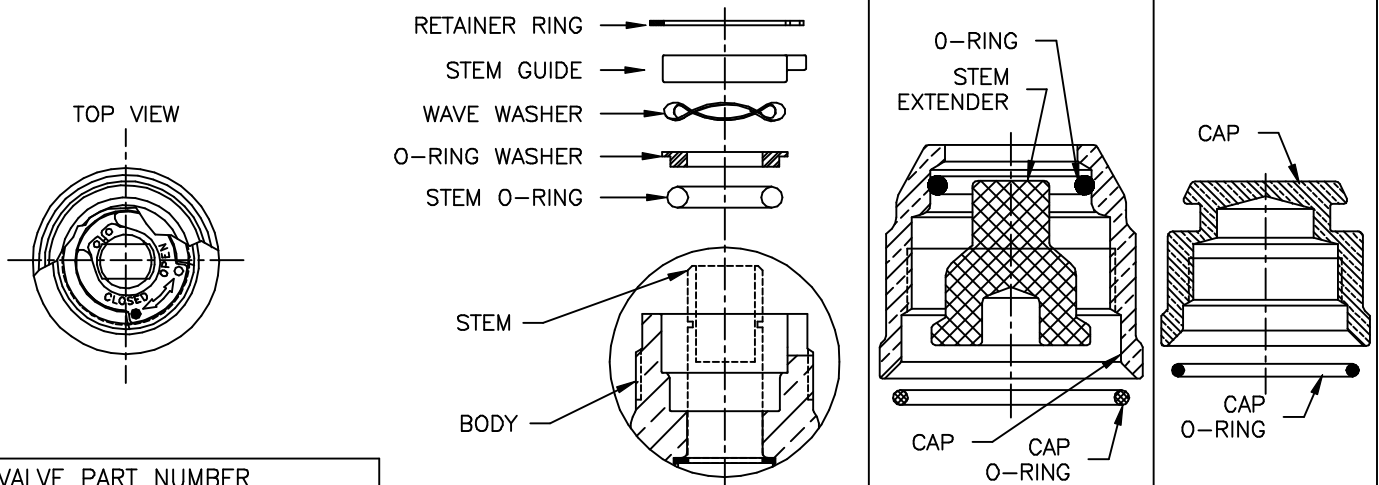


### BALL VALVE CAP ASSEMBLIES

OLDEST STYLE, STEM PACKING  
 CANNOT BE REPAIRED  
 ORIGINALLY SUPPLIED WITH A PLASTIC SEAL CAP



BALL VALVE PART NUMBER		SIZE	REPLACEMENT CAP ASSY (CAN BE INSTALLED ON BALL VALVE OR STEM EXTENDER CAP)	STEM EXTENDER	DISTANCE ACROSS HEX FLATS
SEAL CAP	SEAL CAP W/SCHRADER				
900203	903203	3/8" ODS	900204-3A(KIT) ← 6-060-020(CAP) ← 5-023-167(GASKET)	902205B-3A (INCLUDES 2 GASKETS 5-023-167)	1.00"
900204	903204	1/2" ODS			
900205	903205	5/8" ODS			
900307	903307	7/8" ODS	900409-3A(KIT) ← 6-060-021(CAP) ← 5-023-168(GASKET)	902409B-3A (INCLUDES 2 GASKETS 5-023-168)	1.38"
900409	903409	1 1/8" ODS			
900511	903511	1 3/8" ODS	900613-3A(KIT) ← 6-060-022(CAP) ← 5-023-169(GASKET)	902613B-3A (INCLUDES 2 GASKETS 5-023-169)	1.50"
900613	903613	1 5/8" ODS			
900617	903617	2 1/8" ODS			
900821		2 5/8" ODS			
900825		3 1/8" ODS			



BALL VALVE PART NUMBER				SIZE	STEM SEAL KIT	SEAL CAP KIT (DIRECT DRIVE)	SEAL CAP KIT
SEAL CAP	SEAL CAP W/SCHRADER	DIRECT DRIVE	DIRECT DRIVE W/SCHRADER				
900203B	903203B	904203	934203	3/8" ODS	900205-SK	904205-EK DISCONTINUED (offer seal cap kit)	900205-CK
900204B	903204B	904204	934204	1/2" ODS			
900205B	903205B	904205	934205	5/8" ODS			
900307B	903307B	904307	934307	7/8" ODS	900409-SK	904409-EK DISCONTINUED (offer seal cap kit)	900409-CK
900409B	903409B	904409	934409	1 1/8" ODS			
900511B	903511B	904511	934511	1 3/8" ODS	900717-SK	904717-EK DISCONTINUED (offer seal cap kit)	900717-CK
900613B	903613B	904613	934613	1 5/8" ODS			
900717B	903717B	904717	934717	2 1/8" ODS			
900721B		904721		2 5/8" ODS			
900725B		904725		3 1/8" ODS			
900821B		904821		2 5/8" ODS			
900825B		904825		3 1/8" ODS			

SCHRADER VALVE PARTS FOR 903 AND 934 SERIES BALL VALVES

SCHRADER SEAL CAP WITH O-RING: 5-060-009  
 SCHRADER VALVE CORE: 5-063-015  
 SCHRADER CORE REMOVAL TOOL: 5-063-016