

Job or Customer :	
Location :	
Engineer :	
<input type="checkbox"/> Complies with Spec <input type="checkbox"/> Alternate	Notes :
Contractor :	
HeatLink Rep :	
Submitted By :	Date :
Approved By :	Date :
P.O. Number :	Date :

Description

Solid no lead brass PEX Insert × FNPT drop ear elbow.

Technical Data

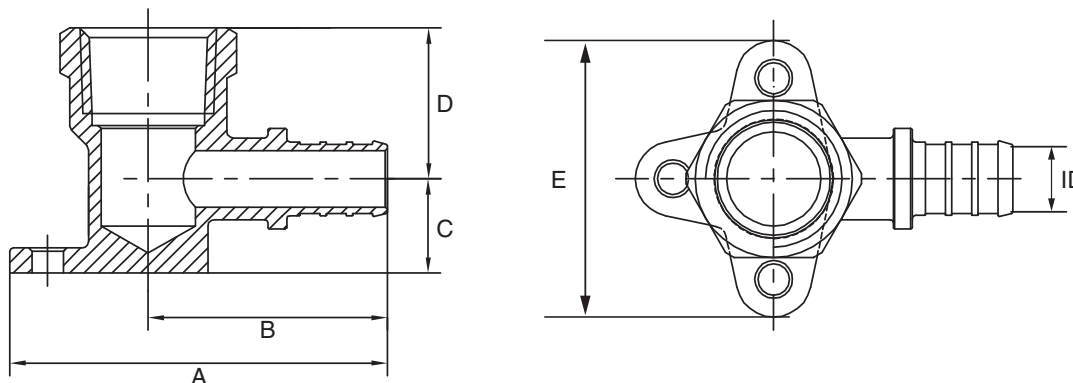
Material:..... No Lead (Eco) Brass - C69300
 Working Pressure:..... 100 psi maximum
 Tested Pressure:..... 100 psi
 Maximum Temperature:..... 82°C / 180°F

Standards / Listings

ANSI/NSF-14
 ANSI/NSF-61 Annex G
 ASTM F1807
 ASTM F877

Qty	Stk. #	Size	A	B	Dimension C	D	E	ID	Weight
	28312NL	½" PEX × ¾" FNPT	2.19" (55.5 mm)	1.32" (33.5 mm)	0.59" (15.0 mm)	0.75" (19.0 mm)	1.73" (44.0 mm)	0.35" (8.9 mm)	2.96 oz (84.0 g)
	28305NL	½" PEX × ½" FNPT	2.36" (60.0 mm)	1.50" (38.0 mm)	0.59" (15.0 mm)	0.94" (24.0 mm)	1.73" (44.0 mm)	0.35" (8.9 mm)	3.31 oz (94.0 g)

Dimensional Drawing



Installation

Installation must follow all of HeatLink's instructions and guidelines.

Related Documents

- HeatLink Limited Plumbing Warranty

This page is intentionally blank.