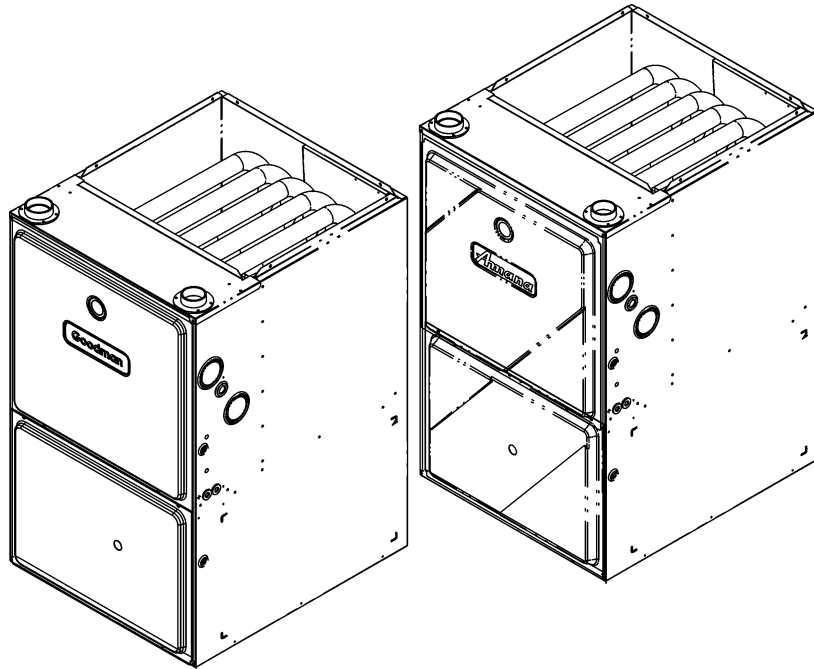


# REPAIR PARTS

\*MVC95 Variable Speed  
Furnace

AMVC950453BXAA  
AMVC950453BXAB  
AMVC950704CXAA  
AMVC950704CXAB  
AMVC950905CXAA  
AMVC950905DXAA  
AMVC950905DXAB  
AMVC951155DXAA  
AMVC951155DXAB  
GMVC950453BXAA  
GMVC950453BXAB  
GMVC950704CXAA  
GMVC950704CXAB  
GMVC950905CXAA  
GMVC950905DXAA  
GMVC950905DXAB  
GMVC951155DXAA  
GMVC951155DXAB



This manual is to be used by qualified technicians only.

This manual replaces RP-509A

© 2009-2010 Goodman Manufacturing Company, L.P. ♦ 5151 San Felipe, Suite 500 ♦ Houston, TX 77056

# Important Information

---

## Index

Functional Parts List .....	3
Illustration and Parts .....	4 - 11

*Views shown are for parts illustrations only, not servicing procedures*

Revision B: Added AMVC950905CXAA and GMVC950905CXAA models.

### Text Codes:

AR - As Required

NA - Not Available

NS - Not Shown

00000000 - See Note

QTY - Quantity Example (QTY 3) (If Quantity not shown, Quantity = 1)

M - Model Example (M1) (If M Code not shown, then part is used on all Models)

### Expanded Model Nomenclature:

Example M1 - Model#1 M2 - Model#2 M3 - Model#3
---

Goodman Manufacturing Company, L.P. is not responsible for personal injury or property damage resulting from improper service. Review all service information before beginning repairs.

Warranty service must be performed by an authorized technician, using authorized factory parts. If service is required after the warranty expires, Goodman Manufacturing Company, L.P. also recommends contacting an authorized technician and using authorized factory parts.

Goodman Manufacturing Company, L.P. reserves the right to discontinue, or change at any time, specifications or designs without notice or without incurring obligations.

For assistance within the U.S.A. contact:  
Consumer Affairs Department  
Goodman Manufacturing Company, L.P.  
7401 Security Way  
Houston, Texas 77040  
877-254-4729-Telephone  
713-863-2382-Facsimile

For assistance outside the U.S.A. contact:  
International Division  
Goodman Manufacturing Company, L.P.  
7401 Security Way  
Houston, Texas 77040  
713-861-2500-Telephone  
713-863-2382-Facsimile

# Functional Parts

**Part No:**

**Description:**

Part No:	Description:		
		B1141605	TRANSFORMER 120V TO 24V, 40 VA
10735102S	BECKETT BURNER (QTY AR)		
D6723311S	BLOWER WHEEL (M5, M6, M7, M8, M9, M14, M15, M16, M17, M18)		
B1368047	BLOWER WHEEL 10 X 10 (M3, M4, M12, M13)		
B1368016S	BLOWER WHEEL 10 X 8 (M1, M2, M10, M11)		
0130F00010	FLAME SENSOR		
0151M00014	GAS VALVE - HONEYWELL 2-STAGE (M2, M4, M5, M7, M9, M11, M13, M14, M16, M18)		
0151F00000P	GAS VALVE - WHITE-RODGERS 2-STAGE (M1, M3, M6, M8, M10, M12, M15, M17)		
20245903S	ID BLOWER		
B1141666	INDUCTOR-5.9 AMP (M3, M4, M12, M13)		
B1141666	INDUCTOR-5.9 AMP (M5, M6, M7, M8, M9, M14, M15, M16, M17, M18)		
B1370818	INTERLOCK SWITCH		
0130F00105	LIMIT SWITCH (M5, M14)		
10123518	MANUAL RESET LIMIT (M1, M2, M10, M11)		
10123536	MANUAL RESET LIMIT 180°F (M5, M6, M7, M14, M15, M16)		
10123537	MANUAL RESET LIMIT-GRAY (M3, M4, M12, M13)		
10123537	MANUAL RESET LIMIT-GRAY (M6, M7, M15, M16)		
10123535	MANUAL RESET LIMIT-RED (M1, M2, M10, M11)		
10123533	MANUAL RESET LIMIT-YELLOW (M3, M4, M5, M8, M9, M12, M13, M14, M17, M18)		
10123533	MANUAL RESET LIMIT-YELLOW (M8, M9, M17, M18)		
0131M00111S	MOTOR 1/2 HP, SERIAL ECM (M1, M2, M10, M11)		
0131M00113S	MOTOR, 1 HP SERIAL ECM (M5, M6, M7, M8, M9, M14, M15, M16, M17, M18)		
0131M00112S	MOTOR, 3/4 HP SERIAL ECM (M3, M4, M12, M13)		
10716003	ORIFICE (QTY AR)		
PCBKF101S	PCB, CONTROL, FURNACE		
0130F00111	PRESSURE SWITCH (M5, M14)		
11177113	PRESSURE SWITCH-GRAY (M1, M2, M3, M4, M10, M11, M12, M13)		
11177114	PRESSURE SWITCH-OLIVE (M6, M7, M8, M9, M15, M16, M17, M18)		
20197308	PRESSURE SWITCH-YELLOW		
20162907	PRIMARY LIMIT (M3, M4, M12, M13)		
20162904	PRIMARY LIMIT-TEMPERATURE CONTROL (M8, M9, M17, M18)		
20162905	PRIMARY LIMIT-YELLOW (M1, M2, M6, M7, M10, M11, M15, M16)		
0130F00008S	SINI IGNITOR		

**SPECIAL PARTS**

HI-124	HOMEOWNERS INSTRUCTIONS
IO-341C	INSTALL INSTRUCT (M5, M14)
IO-661	INSTALL INSTRUCTIONS
IO-341B	INSTALLATION INSTR (M2, M4, M7, M9, M11, M13, M16, M18)
IO-341A	INSTALLATION INSTRUCTIONS (M1, M3, M6, M8, M10, M12, M15, M17)

Expanded Model Nomenclature

M1 - AMVC950453BXAA
M2 - AMVC950453BXAB
M3 - AMVC950704CXAA
M4 - AMVC950704CXAB
M5 - AMVC950905CXAA
M6 - AMVC950905DXAA
M7 - AMVC950905DXAB
M8 - AMVC951155DXAA
M9 - AMVC951155DXAB
M10 - GMVC950453BXAA
M11 - GMVC950453BXAB
M12 - GMVC950704CXAA
M13 - GMVC950704CXAB
M14 - GMVC950905CXAA
M15 - GMVC950905DXAA
M16 - GMVC950905DXAB
M17 - GMVC951155DXAA
M18 - GMVC951155DXAB

# Cabinet

Image 1

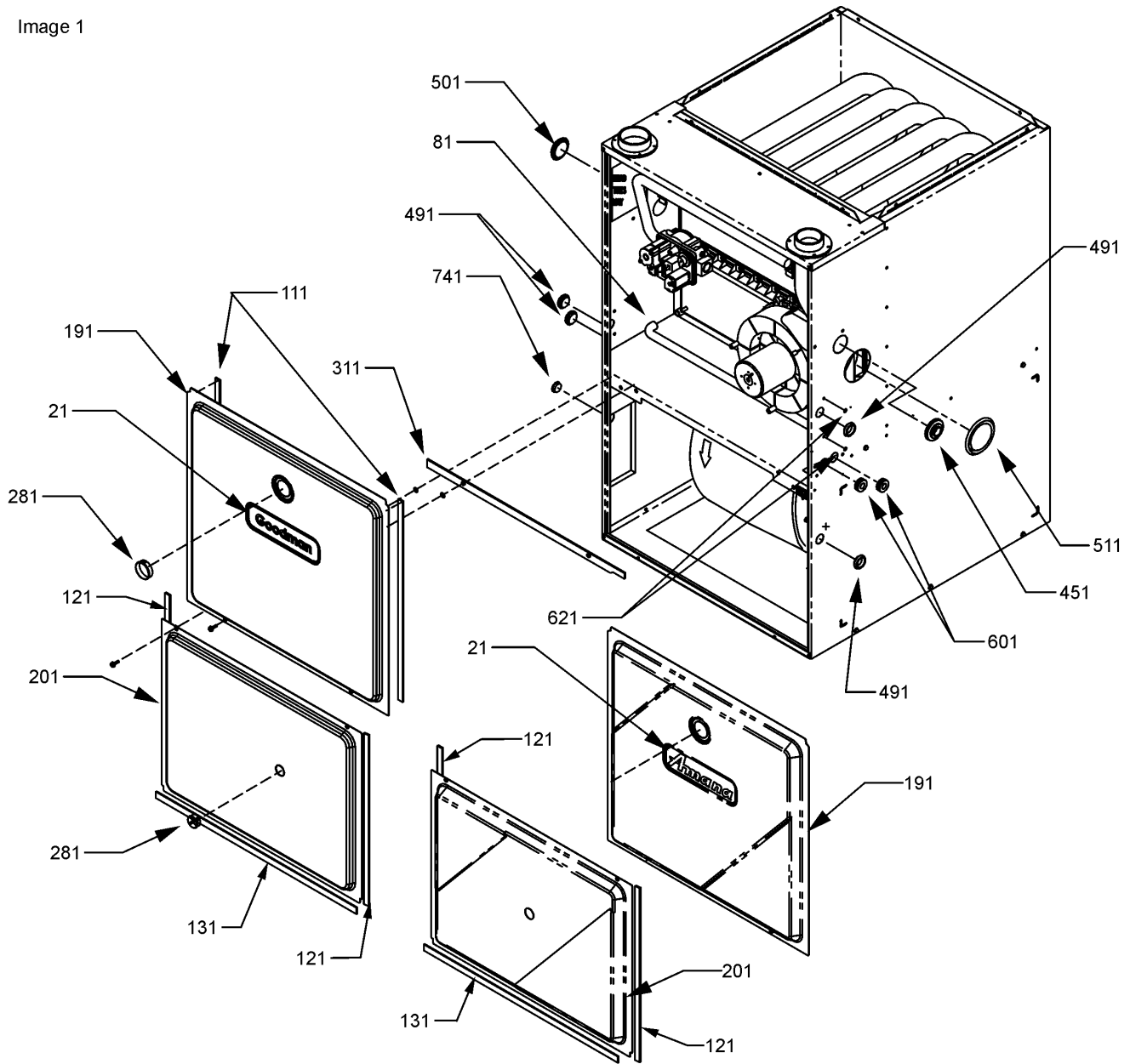
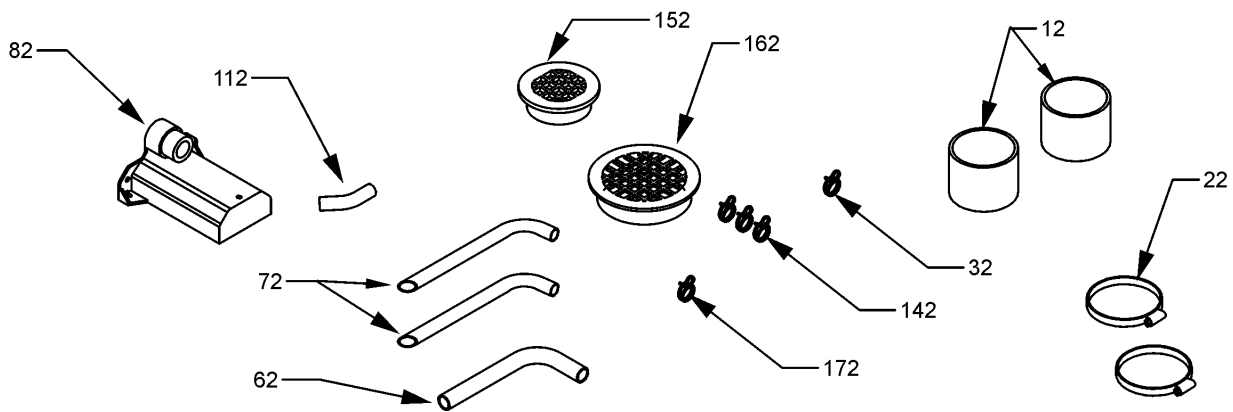


Image 2



# Cabinet

**Ref. Part  
No: No:**

**Description:**

**Ref. Part  
No: No:**

**Description:**

*Image 1:*

21	0161M00003P	AMANA NAMEPLATE (M1, M2, M3, M4, M5, M6, M7, M8, M9)
21	0161F00000P	GOODMAN NAMEPLATE (M10, M11, M12, M13, M14, M15, M16, M17, M18)
81	20201902	DRAIN HOSE
111	20179308	GASKET (QTY 2)
121	20179311	GASKET (QTY 2)
131	20179311	GASKET (M1, M2, M10, M11)
131	20179312	GASKET (M3, M4, M5, M12, M13, M14)
131	20179313	GASKET (M6, M7, M8, M9, M15, M16, M17, M18)
191	0121F00066LG	ACCESS DOOR (M1, M2)
191	0121F00067LG	ACCESS DOOR (M3, M4, M5)
191	0121F00068LG	ACCESS DOOR (M6, M7, M8, M9)
191	0121F00072DGS	ACCESS DOOR (M10, M11)
191	0121F00073DGS	ACCESS DOOR (M12, M13, M14)
191	0121F00074DGS	ACCESS DOOR (M15, M16, M17, M18)
201	0121F00063LG	BLOWER DOOR (M1, M2)
201	0121F00064LGS	BLOWER DOOR (M3, M4, M5)
201	0121F00065LGS	BLOWER DOOR (M6, M7, M8, M9)
201	0121F00069DGS	BLOWER DOOR (M10, M11)
201	0121F00070DGS	BLOWER DOOR (M12, M13, M14)
201	0121F00071DGS	BLOWER DOOR (M15, M16, M17, M18)
281	B1392139	VIEW PORT BUSHING-BLOWER DOOR (QTY 2)
311	22320001	DECK GASKET (M1, M2, M10, M11)
311	22320002	DECK GASKET (M3, M4, M5, M12, M13, M14)
311	22320003	DECK GASKET (M6, M7, M8, M9, M15, M16, M17, M18)
451	M0501301	PIPE GROMMET
491	M0570808	BUTTON PLUG (QTY 4)
501	M0570806	BUTTON PLUG
511	M0570807	BUTTON PLUG
601	A4691701	GROMMET (QTY 2)
621	M0310345	BUTTON PLUG (QTY 2)
741	B1392104	UNIVERSAL BUSHING UB 875
NS	10195517Q	STANDPIPE BAG ASSY

*Image 2:*

12	10254303	RUBBER COUPLING
22	0163M00049	HOSE CLAMP (QTY 2)
32	M0119207	HOSE CLAMP
62	20201901	DRAIN HOSE
72	20201802	DRAIN TUBE (QTY 2)
82	20171701	DRAIN TRAP
112	20214203	DRAIN ANGLE
142	M0119205	HOSE CLAMP (QTY 3)
152	B2810816	2" MESH INSERT
162	B2810814	3" MESH INSERT

*Image 2:*

172	M0119206	HOSE CLAMP
-----	----------	------------

Expanded Model Nomenclature

M1 - AMVC950453BXAA
M2 - AMVC950453BXAB
M3 - AMVC950704CXAA
M4 - AMVC950704CXAB
M5 - AMVC950905CXAA
M6 - AMVC950905DXAA
M7 - AMVC950905DXAB
M8 - AMVC951155DXAA
M9 - AMVC951155DXAB
M10 - GMVC950453BXAA
M11 - GMVC950453BXAB
M12 - GMVC950704CXAA
M13 - GMVC950704CXAB
M14 - GMVC950905CXAA
M15 - GMVC950905DXAA
M16 - GMVC950905DXAB
M17 - GMVC951155DXAA
M18 - GMVC951155DXAB

# Blower Assembly

\*If end bells are needed please order the following:

0131M00182 - 1/2 HP

0131M00183 - 3/4 HP

0131M00184 - 1 HP

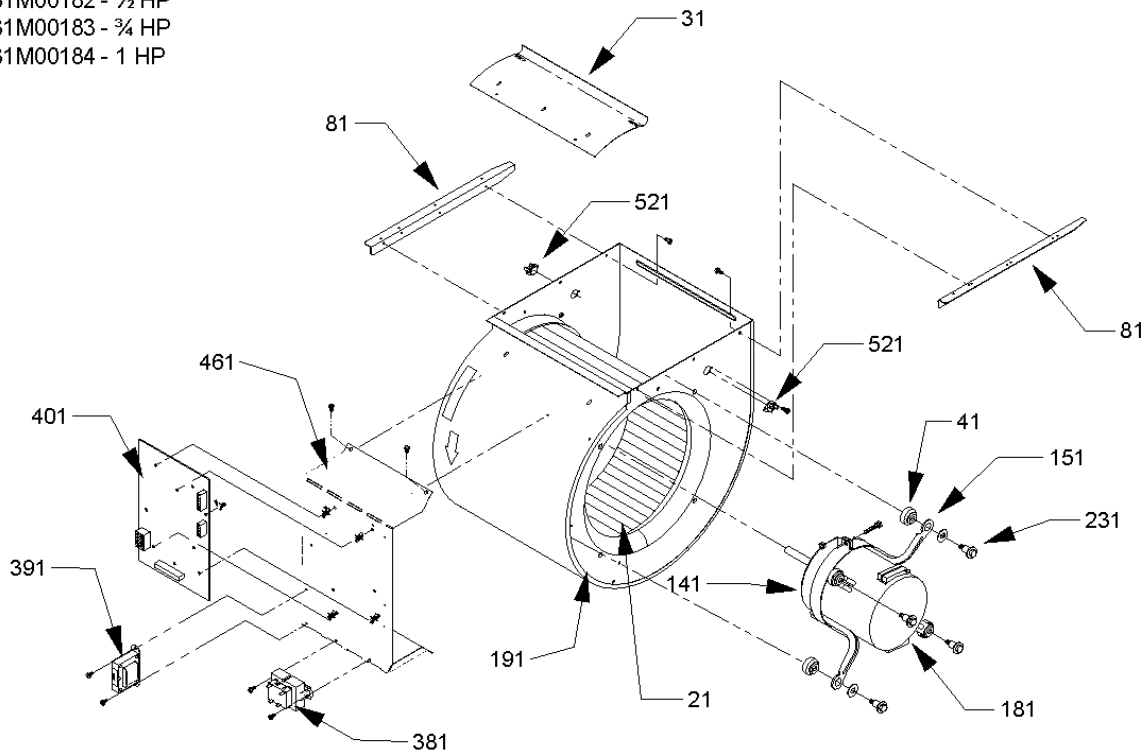
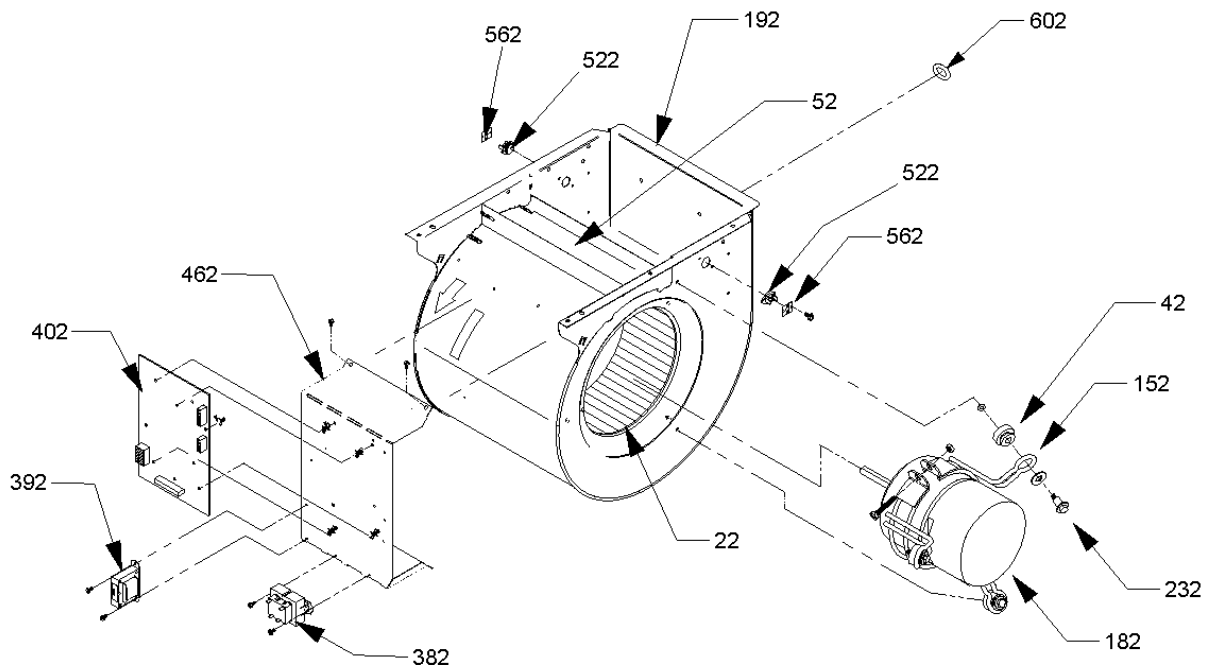


Image 1

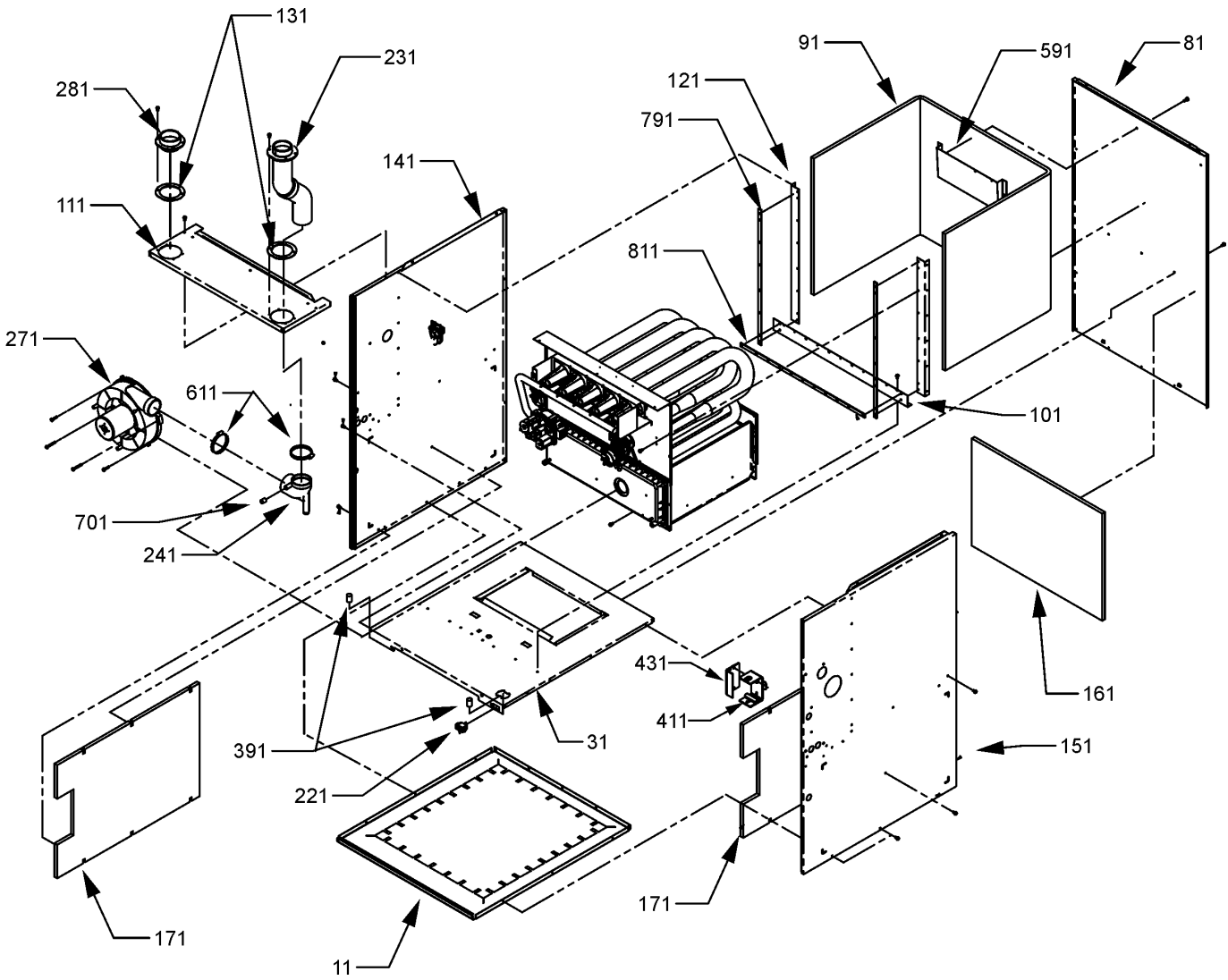
Image 2



# Blower Assembly

Ref. Part No:	No:	Description:	Ref. Part No:	No:	Description:																		
<i>Image 1:</i>			<i>Image 2:</i>																				
21	D6723311S	BLOWER WHEEL (M5, M6, M7, M8, M9, M14, M15, M16, M17, M18)	522	10123537	MANUAL RESET LIMIT-GRAY (M3, M4, M12, M13)																		
31	C6121807	BLOWER CUT-OFF (M5, M6, M7, M8, M9, M14, M15, M16, M17, M18)	522	10123535	MANUAL RESET LIMIT-RED (M1, M2, M10, M11)																		
41	A4002702	BLOWER MOTOR GROMMET (M5, M6, M7, M8, M9, M14, M15, M16, M17, M18)	562	2509503F	AUXILIARY LIMIT BRACKET (M1, M2, M3, M4, M10, M11, M12, M13)																		
81	20175101	BLOWER SIDE RAIL (M5, M6, M7, M8, M9, M14, M15, M16, M17, M18)	602	B1392021	PLASTIC PLUG, 1" (2713-BLK) (M1, M2, M3, M4, M10, M11, M12, M13)																		
141	10441601	MOTOR MOUNT BAND (M5, M6, M7, M8, M9, M14, M15, M16, M17, M18)	NS	0259F00040	CONTROL HARNESS																		
151	10441501	MOTOR MOUNT ARM (M5, M6, M7, M8, M9, M14, M15, M16, M17, M18)	NS	0159F00012	HARNESS, WIRING																		
181	0131M00113S	MOTOR, 1 HP SERIAL ECM (M5, M6, M7, M8, M9, M14, M15, M16, M17, M18)	NS	0259F00041	POWER HARNESS																		
191	0271F00047	BLOWER HOUSING ASSY 11 X 10 (M5, M6, M7, M8, M9, M14, M15, M16, M17, M18)	NS	0259F00024	WIRE HARNESS-BLOWER																		
231	M0221461	TC SCREW (M5, M6, M7, M8, M9, M14, M15, M16, M17, M18)	Expanded Model Nomenclature																				
381	B1141605	TRANSFORMER 120V TO 24V, 40 VA	<table border="1"> <tr><td>M1 - AMVC950453BXAA</td></tr> <tr><td>M2 - AMVC950453BXAB</td></tr> <tr><td>M3 - AMVC950704CXAA</td></tr> <tr><td>M4 - AMVC950704CXAB</td></tr> <tr><td>M5 - AMVC950905CXAA</td></tr> <tr><td>M6 - AMVC950905DXAA</td></tr> <tr><td>M7 - AMVC950905DXAB</td></tr> <tr><td>M8 - AMVC951155DXAA</td></tr> <tr><td>M9 - AMVC951155DXAB</td></tr> <tr><td>M10 - GMVC950453BXAA</td></tr> <tr><td>M11 - GMVC950453BXAB</td></tr> <tr><td>M12 - GMVC950704CXAA</td></tr> <tr><td>M13 - GMVC950704CXAB</td></tr> <tr><td>M14 - GMVC950905CXAA</td></tr> <tr><td>M15 - GMVC950905DXAA</td></tr> <tr><td>M16 - GMVC950905DXAB</td></tr> <tr><td>M17 - GMVC951155DXAA</td></tr> <tr><td>M18 - GMVC951155DXAB</td></tr> </table>			M1 - AMVC950453BXAA	M2 - AMVC950453BXAB	M3 - AMVC950704CXAA	M4 - AMVC950704CXAB	M5 - AMVC950905CXAA	M6 - AMVC950905DXAA	M7 - AMVC950905DXAB	M8 - AMVC951155DXAA	M9 - AMVC951155DXAB	M10 - GMVC950453BXAA	M11 - GMVC950453BXAB	M12 - GMVC950704CXAA	M13 - GMVC950704CXAB	M14 - GMVC950905CXAA	M15 - GMVC950905DXAA	M16 - GMVC950905DXAB	M17 - GMVC951155DXAA	M18 - GMVC951155DXAB
M1 - AMVC950453BXAA																							
M2 - AMVC950453BXAB																							
M3 - AMVC950704CXAA																							
M4 - AMVC950704CXAB																							
M5 - AMVC950905CXAA																							
M6 - AMVC950905DXAA																							
M7 - AMVC950905DXAB																							
M8 - AMVC951155DXAA																							
M9 - AMVC951155DXAB																							
M10 - GMVC950453BXAA																							
M11 - GMVC950453BXAB																							
M12 - GMVC950704CXAA																							
M13 - GMVC950704CXAB																							
M14 - GMVC950905CXAA																							
M15 - GMVC950905DXAA																							
M16 - GMVC950905DXAB																							
M17 - GMVC951155DXAA																							
M18 - GMVC951155DXAB																							
391	B1141666	INDUCTOR-5.9 AMP (M5, M6, M7, M8, M9, M14, M15, M16, M17, M18)																					
401	PCBKF101S	PCB, CONTROL, FURNACE																					
461	0121F00094	CONTROL MOUNT PANEL																					
521	10123536	MANUAL RESET LIMIT 180°F (M5, M6, M7, M14, M15, M16)																					
521	10123533	MANUAL RESET LIMIT-YELLOW (M8, M9, M17, M18)																					
NS	0259F00040	CONTROL HARNESS																					
NS	0159F00012	HARNESS, WIRING																					
NS	0259F00041	POWER HARNESS																					
NS	0259F00024	WIRE HARNESS-BLOWER																					
<i>Image 2:</i>			*If end bells are needed please order the following: 0131M00182 - 1/2 HP 0131M00183 - 3/4 HP 0131M00184 - 1 HP																				
22	B1368047	BLOWER WHEEL 10 X 10 (M3, M4, M12, M13)																					
22	B1368016S	BLOWER WHEEL 10 X 8 (M1, M2, M10, M11)																					
42	A4002702	BLOWER MOTOR GROMMET (M1, M2, M3, M4, M10, M11, M12, M13)																					
52	764741F	BLOWER BLOCK-OFF 10 X 10 (M3, M4, M12, M13)																					
52	764740F	BLOWER BLOCK-OFF 10 X 8 (M1, M2, M10, M11)																					
152	C9443702	MOTOR MOUNT BRACKET (M1, M2, M3, M4, M10, M11, M12, M13)																					
182	0131M00111S	MOTOR 1/2 HP, SERIAL ECM (M1, M2, M10, M11)																					
182	0131M00112S	MOTOR, 3/4 HP SERIAL ECM (M3, M4, M12, M13)																					
192	0271F00004P	BLOWER HOUSING ASSY 10 X 10 (M3, M4, M12, M13)																					
192	0271F00074	BLOWER HOUSING ASSY 10 X 8 (M1, M2, M10, M11)																					
232	M0221461	TC SCREW (M1, M2, M3, M4, M10, M11, M12, M13)																					
382	B1141605	TRANSFORMER 120V TO 24V, 40 VA																					
392	B1141666	INDUCTOR-5.9 AMP (M3, M4, M12, M13)																					
402	PCBKF101S	PCB, CONTROL, FURNACE																					
462	0121F00094	CONTROL MOUNT PANEL																					

# Chassis

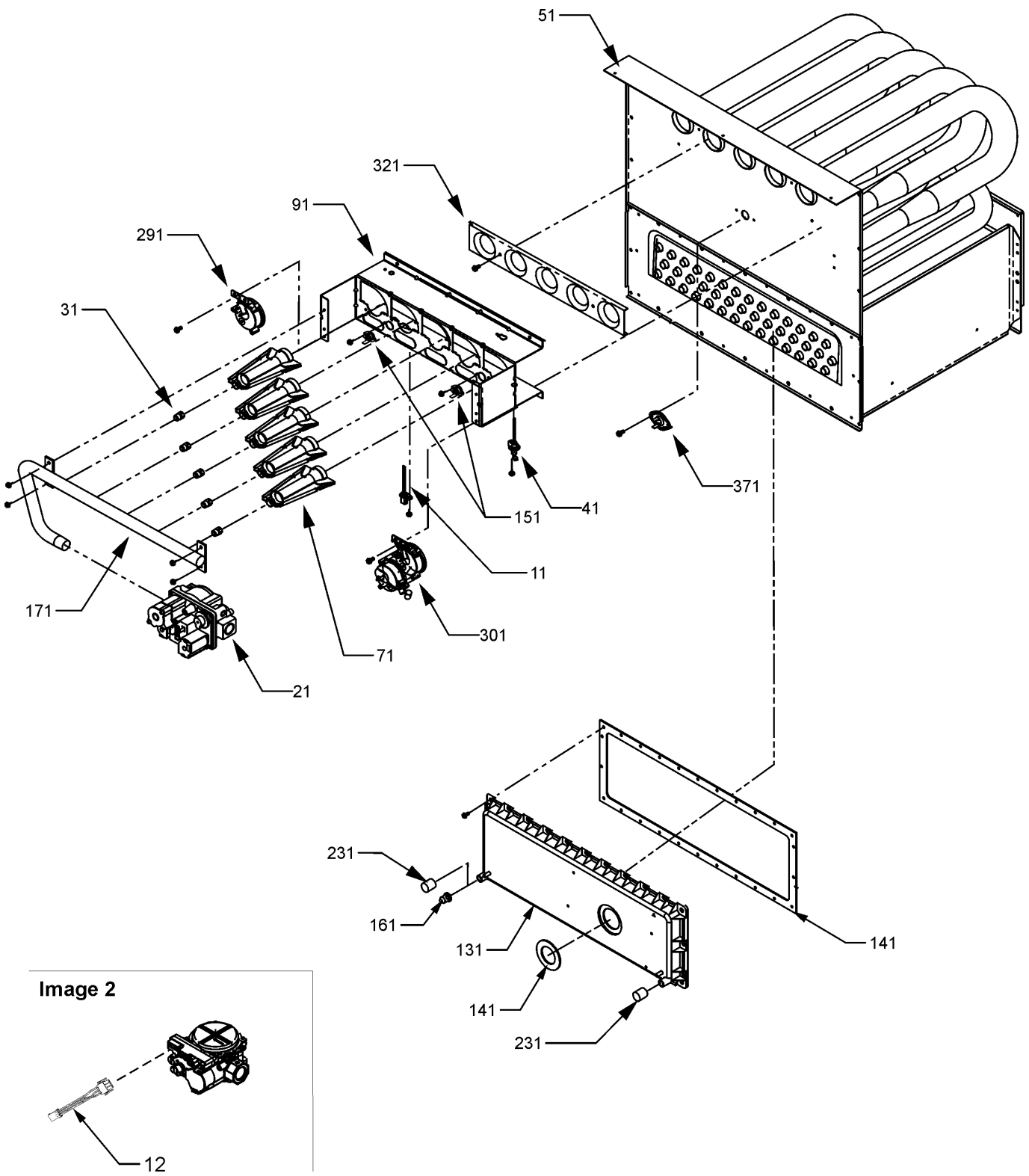




# Chassis

Ref. Part No:	No:	Description:	Ref. Part No:	No:	Description:																		
<i>Image 1:</i>			<i>Image 1:</i>																				
11	0121F00050DGS	BASE PAN (M1, M2, M10, M11)	611	0163M00049	HOSE CLAMP (QTY 2)																		
11	0121F00051DGS	BASE PAN (M3, M4, M5, M12, M13, M14)	701	M0326804	TUBE PLUG																		
11	0121F00052DG	BASE PAN (M6, M7, M8, M9, M15, M16, M17, M18)	791	20194608	GASKET (QTY 2)																		
31	0121F00043	BLOWER DECK (M1, M2, M10, M11)	811	20194605	GASKET (M1, M2, M10, M11)																		
31	0121F00045	BLOWER DECK (M3, M4, M12, M13)	811	20194606	GASKET (M3, M4, M5, M12, M13, M14)																		
31	0121F00048	BLOWER DECK (M6, M7, M8, M9, M15, M16, M17, M18)	811	20194607	GASKET (M6, M7, M8, M9, M15, M16, M17, M18)																		
31	0121F00246	BLOWER DECK (M5, M14)	NS	0164M00007	PRESSURE SWITCH HOSE (M1, M2, M3, M4, M5, M6, M7, M10, M11, M12, M13, M14, M15, M16, M17, M18)																		
81	20273208	BACK PANEL (M1, M2, M10, M11)	NS	0164M00011	PRESSURE SWITCH HOSE (M1, M2, M10, M11)																		
81	20273210S	BACK PANEL (M3, M4, M5, M12, M13, M14)	NS	0164M00014	PRESSURE SWITCH HOSE (M3, M4, M5, M6, M7, M12, M13, M14, M15, M16)																		
81	20273212S	BACK PANEL (M6, M7, M8, M9, M15, M16, M17, M18)	NS	0164M00015	PRESSURE SWITCH HOSE (M8, M9)																		
91	C6415909	HEAT EXCHANGER INSULATION (M6, M7, M8, M9, M15, M16, M17, M18)	NS	0164M00017	PRESSURE SWITCH HOSE (M8, M9, M17, M18)																		
91	C6415910	HEAT EXCHANGER INSULATION (M1, M2, M10, M11)	Expanded Model Nomenclature																				
91	C6415911	HEAT EXCHANGER INSULATION (M3, M4, M5, M12, M13, M14)	<table border="1"> <tr><td>M1 - AMVC950453BXAA</td></tr> <tr><td>M2 - AMVC950453BXAB</td></tr> <tr><td>M3 - AMVC950704CXAA</td></tr> <tr><td>M4 - AMVC950704CXAB</td></tr> <tr><td>M5 - AMVC950905CXAA</td></tr> <tr><td>M6 - AMVC950905DXAA</td></tr> <tr><td>M7 - AMVC950905DXAB</td></tr> <tr><td>M8 - AMVC951155DXAA</td></tr> <tr><td>M9 - AMVC951155DXAB</td></tr> <tr><td>M10 - GMVC950453BXAA</td></tr> <tr><td>M11 - GMVC950453BXAB</td></tr> <tr><td>M12 - GMVC950704CXAA</td></tr> <tr><td>M13 - GMVC950704CXAB</td></tr> <tr><td>M14 - GMVC950905CXAA</td></tr> <tr><td>M15 - GMVC950905DXAA</td></tr> <tr><td>M16 - GMVC950905DXAB</td></tr> <tr><td>M17 - GMVC951155DXAA</td></tr> <tr><td>M18 - GMVC951155DXAB</td></tr> </table>			M1 - AMVC950453BXAA	M2 - AMVC950453BXAB	M3 - AMVC950704CXAA	M4 - AMVC950704CXAB	M5 - AMVC950905CXAA	M6 - AMVC950905DXAA	M7 - AMVC950905DXAB	M8 - AMVC951155DXAA	M9 - AMVC951155DXAB	M10 - GMVC950453BXAA	M11 - GMVC950453BXAB	M12 - GMVC950704CXAA	M13 - GMVC950704CXAB	M14 - GMVC950905CXAA	M15 - GMVC950905DXAA	M16 - GMVC950905DXAB	M17 - GMVC951155DXAA	M18 - GMVC951155DXAB
M1 - AMVC950453BXAA																							
M2 - AMVC950453BXAB																							
M3 - AMVC950704CXAA																							
M4 - AMVC950704CXAB																							
M5 - AMVC950905CXAA																							
M6 - AMVC950905DXAA																							
M7 - AMVC950905DXAB																							
M8 - AMVC951155DXAA																							
M9 - AMVC951155DXAB																							
M10 - GMVC950453BXAA																							
M11 - GMVC950453BXAB																							
M12 - GMVC950704CXAA																							
M13 - GMVC950704CXAB																							
M14 - GMVC950905CXAA																							
M15 - GMVC950905DXAA																							
M16 - GMVC950905DXAB																							
M17 - GMVC951155DXAA																							
M18 - GMVC951155DXAB																							
101	0121F00018P	DECK RAIL (M1, M2, M10, M11)																					
101	0121F00019P	DECK RAIL (M3, M4, M5, M12, M13, M14)																					
101	20191303	DECK RAIL (M6, M7, M8, M9, M15, M16, M17, M18)																					
111	0270F00001PS	TOP COVER ASSY (M3, M4, M5, M12, M13, M14)																					
111	0270F00002PS	TOP COVER ASSY (M6, M7, M8, M9, M15, M16, M17, M18)																					
111	0270F00100PS	TOP COVER ASSY (M1, M2, M10, M11)																					
121	20191602	SIDE RAIL (M1, M2, M10, M11)																					
121	20191603	SIDE RAIL (M3, M4, M5, M12, M13, M14)																					
121	20191604	SIDE RAIL (M6, M7, M8, M9, M15, M16, M17, M18)																					
131	0154F00000P	COIL GASKET (M1, M2, M10, M11)																					
131	0154F00001P	COIL GASKET (M3, M4, M5, M12, M13, M14)																					
131	0154F00002P	COIL GASKET (M6, M7, M8, M9, M15, M16, M17, M18)																					
141	0121F00092DGS	SIDE PANEL LH																					
151	0121F00090DGS	SIDE PANEL RH																					
161	20006601	INSULATION (M1, M2, M10, M11)																					
161	20006602	INSULATION (M3, M4, M5, M12, M13, M14)																					
161	20006603	INSULATION (M6, M7, M8, M9, M15, M16, M17, M18)																					
171	20243503	SIDE INSULATION (QTY 2)																					
221	B1370818	INTERLOCK SWITCH																					
231	22309501	FLUE PIPE																					
241	20171802S	ELBOW																					
271	20245903S	ID BLOWER																					
281	20049701	FA COUPLING																					
391	M0275521	PLASTIC SEALER																					
411	0161F00004S	JUNCTION BOX																					
431	0161F00005S	JUNCTION BOX COVER																					
591	11165107	ID BLOWER SHIELD																					

# Heat Exchanger / Manifold / Gas Valve



# Heat Exchanger / Manifold / Gas Valve

Ref. Part No:	Ref. Part No:	Description:	Description:
<i>Image 1:</i>		<i>Image 1:</i>	
11	0130F00008S	SINI IGNITOR	371 0130F00105 LIMIT SWITCH (M5, M14)
21	0151M00014	GAS VALVE - HONEYWELL 2-STAGE (M2, M4, M5, M7, M9, M11, M13, M14, M16, M18)	371 20162907 PRIMARY LIMIT (M3, M4, M12, M13)
21	0151F00000P	GAS VALVE - WHITE-RODGERS 2-STAGE (M1, M3, M6, M8, M10, M12, M15, M17)	371 20162904 PRIMARY LIMIT-TEMPERATURE CONTROL (M8, M9, M17, M18)
31	10716003	ORIFICE (QTY AR)	371 20162905 PRIMARY LIMIT-YELLOW (M1, M2, M6, M7, M10, M11, M15, M16)
41	0130F00010	FLAME SENSOR	<i>Image 2:</i>
51	0257F00143S	HEAT EXCHANGER ASSY 2B (M1, M2, M10, M11)	12 0259M00004 WIRE HARNESS, ADAPTOR (M2, M4, M5, M7, M9, M11, M13, M14, M16, M18)
51	0257F00146S	HEAT EXCHANGER ASSY 3B (M3, M4, M12, M13)	Expanded Model Nomenclature
51	0257F00140S	HEAT EXCHANGER ASSY 4B (M6, M7, M15, M16)	M1 - AMVC950453BXAA
51	0257F00205	HEAT EXCHANGER ASSY 4B (M5, M14)	M2 - AMVC950453BXAB
51	0257F00174S	HEAT EXCHANGER ASSY 5B (M8, M9, M17, M18)	M3 - AMVC950704CXAA
71	10735102S	BECKETT BURNER (QTY AR)	M4 - AMVC950704CXAB
91	20190410	BURNER BRACKET 2B (M1, M2, M10, M11)	M5 - AMVC950905CXAA
91	20190411	BURNER BRACKET 3B (M3, M4, M12, M13)	M6 - AMVC950905DXAA
91	20190412	BURNER BRACKET 4B (M5, M6, M7, M14, M15, M16)	M7 - AMVC950905DXAB
91	20190413	BURNER BRACKET 5B (M8, M9, M17, M18)	M8 - AMVC951155DXAA
131	20170804AS	FRONT COVER (M1, M2, M10, M11)	M9 - AMVC951155DXAB
131	20170903AS	FRONT COVER (M3, M4, M12, M13)	M10 - GMVC950453BXAA
131	20170906A	FRONT COVER (M5, M14)	M11 - GMVC950453BXAB
131	20171003AS	FRONT COVER (M6, M7, M15, M16)	M12 - GMVC950704CXAA
131	20171004AS	FRONT COVER (M8, M9, M17, M18)	M13 - GMVC950704CXAB
141	0154F00000P	COIL GASKET (M1, M2, M10, M11)	M14 - GMVC950905CXAA
141	0154F00001P	COIL GASKET (M3, M4, M5, M12, M13, M14)	M15 - GMVC950905DXAA
141	0154F00002P	COIL GASKET (M6, M7, M8, M9, M15, M16, M17, M18)	M16 - GMVC950905DXAB
151	10123518	MANUAL RESET LIMIT (M1, M2, M10, M11)	M17 - GMVC951155DXAA
151	10123537	MANUAL RESET LIMIT-GRAY (M6, M7, M15, M16)	M18 - GMVC951155DXAB
151	10123533	MANUAL RESET LIMIT-YELLOW (M3, M4, M5, M8, M9, M12, M13, M14, M17, M18)	
161	M0326804	TUBE PLUG	
171	20196401	MANIFOLD - 2 BRNR (M1, M2, M10, M11)	
171	20196402	MANIFOLD - 3 BRNR (M3, M4, M12, M13)	
171	20196403	MANIFOLD - 4 BRNR (M5, M6, M7, M14, M15, M16)	
171	20196404	MANIFOLD - 5 BRNR (M8, M9, M17, M18)	
231	A1781105	CAP-VINYL .500 (QTY 2)	
291	20197308	PRESSURE SWITCH-YELLOW	
301	0130F00111	PRESSURE SWITCH (M5, M14)	
301	11177113	PRESSURE SWITCH-GRAY (M1, M2, M3, M4, M10, M11, M12, M13)	
301	11177114	PRESSURE SWITCH-OLIVE (M6, M7, M8, M9, M15, M16, M17, M18)	
321	11072201	ORIFICE SHIELD (M1, M2, M10, M11)	
321	11072202	ORIFICE SHIELD (M3, M4, M12, M13)	
321	11072203	ORIFICE SHIELD (M5, M6, M7, M14, M15, M16)	
321	11072204	ORIFICE SHIELD (M8, M9, M17, M18)	