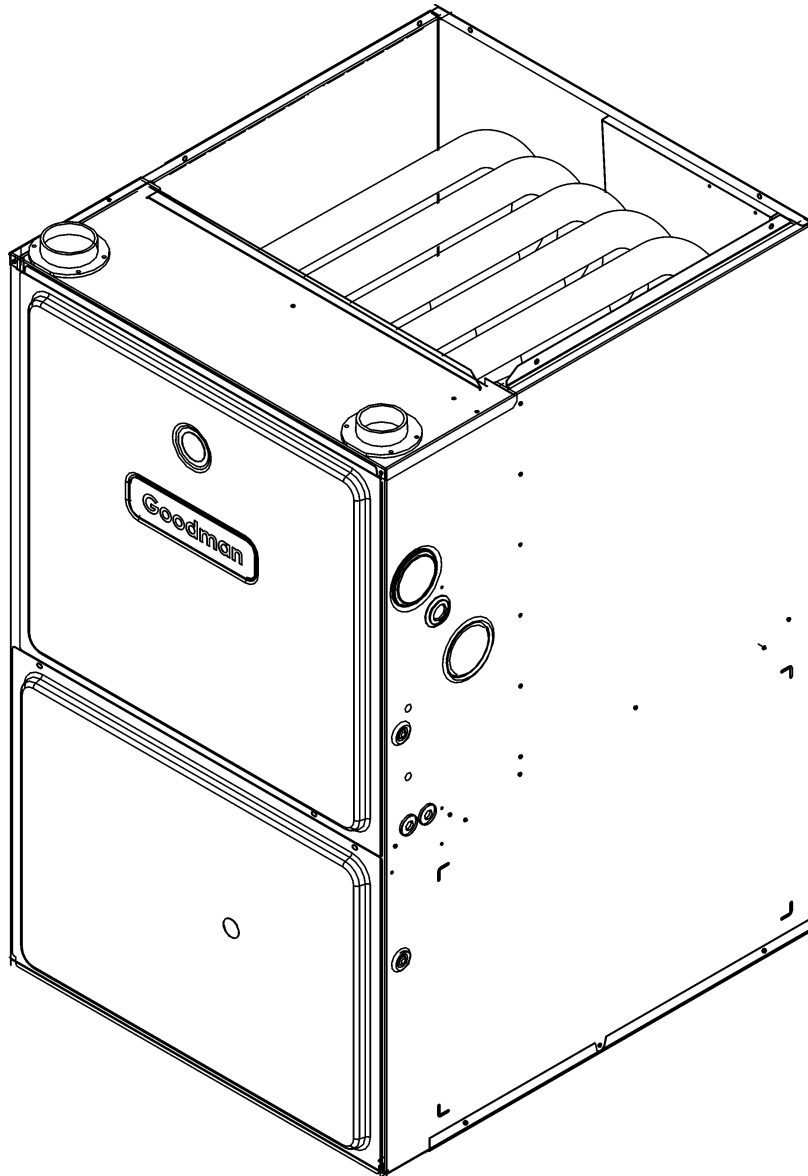


GMH95 95% Upflow Hybrid Furnace

GMH950453BXAD
GMH950453BXAE
GMH950453BXAF
GMH950703BXAE
GMH950703BXAF
GMH950703BXAG
GMH950704CXAD
GMH950704CXAE
GMH950704CXAF
GMH950904CXAE
GMH950904CXAF
GMH950904CXAG
GMH950905CXAB
GMH950905CXAC
GMH950905DXAD
GMH950905DXAE
GMH951155DXAE
GMH951155DXAF
GMH951155DXAG



This manual is to be used by qualified technicians only.

This manual replaces RP-718.

© 2012-2013 Goodman Manufacturing Company, L.P. ♦ 5151 San Felipe, Suite 500 ♦ Houston, TX 77056

Important Information

Index

Functional Parts List	3
Illustration and Parts	4 - 13

Views shown are for parts illustrations only, not servicing procedures

Text Codes:

AR - As Required

NA - Not Available

NS - Not Shown

00000000 - See Note

QTY - Quantity Example (QTY 3) (If Quantity not shown, Quantity = 1)

M - Model Example (M1) (If M Code not shown, then part is used on all Models)

Expanded Model Nomenclature:

Example M1 - Model#1 M2 - Model#2 M3 - Model#3

Goodman Manufacturing Company, L.P. is not responsible for personal injury or property damage resulting from improper service. Review all service information before beginning repairs.

Warranty service must be performed by an authorized technician, using authorized factory parts. If service is required after the warranty expires, Goodman Manufacturing Company, L.P. also recommends contacting an authorized technician and using authorized factory parts.

Goodman Manufacturing Company, L.P. reserves the right to discontinue, or change at any time, specifications or designs without notice or without incurring obligations.

For assistance within the U.S.A. contact:
Consumer Affairs Department
Goodman Manufacturing Company, L.P.
7401 Security Way
Houston, Texas 77040
877-254-4729-Telephone
713-863-2382-Facsimile

For assistance outside the U.S.A. contact:
International Division
Goodman Manufacturing Company, L.P.
7401 Security Way
Houston, Texas 77040
713-861-2500-Telephone
713-863-2382-Facsimile

Functional Parts

Part

No: Description:

Expanded Model Nomenclature

10735102	BECKETT BURNER (QTY A/R)
0131F00022	BLOWER MOTOR 1/2 HP, 4 SP, 6 PL (M7, M8, M9, M10, M11, M12)
0131F00020	BLOWER MOTOR 1/3 HP, 4 SP, 6 PL (M1, M2, M3, M4, M5, M6)
10759415	BLOWER MOTOR 3/4 HP, 4 SP, 8 PL (M13, M14, M15, M16, M17, M18, M19)
D6723311	BLOWER WHEEL (M13, M14, M15, M16, M17, M18, M19)
B1368047	BLOWER WHEEL 10 X 10 (M7, M8, M9, M10, M11, M12)
B1368058	BLOWER WHEEL 10 X 8 (M1, M2, M3, M4, M5, M6)
CAP125000370VA	CAPACITOR 12.5/370V (M1, M2, M3, M4, M5, M6)
CAP150000370VA	CAPACITOR 15/370V (M13, M14, M15, M16, M17, M18, M19)
CAP200000370VA	CAPACITOR 20/370V (M7, M8, M9, M10, M11, M12)
0130F00010	FLAME SENSOR
0257F00140	HEAT EXCHANGER ASSY 4B (M15, M16)
0257F00180	HEAT EXCHANGER ASSY 5B (M17, M18, M19)
0257F00143	HT EX ASSY 2B FUR (M1, M2, M3)
0257F00146	HT EX ASSY 3B FUR (M7, M8, M9)
0257F00178	HT EX ASSY 3B FUR (M4, M5, M6)
0257F00179	HT EX ASSY 4B FUR (M10, M11, M12, M13, M14)
0130F00008	IGNITOR-SINI 17 SEC
0130F00105	LIMIT SWITCH (M13, M14)
10123519	MANUAL RESET LIMIT (M17, M18, M19)
10123517	MANUAL RESET LIMIT (M13, M14)
10123535	MANUAL RESET LIMIT-RED (M1, M2, M3, M4, M5, M6, M7, M8, M9, M10, M11, M12, M15, M16)
10123533	MANUAL RESET LIMIT-YELLOW (M1, M2, M3, M4, M5, M6, M7, M8, M9, M10, M11, M12, M15, M16, M17, M18, M19)
PCBBF132	PCB 2STAGE HYBRID FUR
0130F00110	PRESSURE SWITCH - GREEN (M13, M14)
0130F00001P	PRESSURE SWITCH-GRAY (M10, M11, M12)
0130F00002P	PRESSURE SWITCH-OLIVE (M4, M5, M6)
0130F00000P	PRESSURE SWITCH-SUNGOLD (M1, M2, M3, M7, M8, M9, M15, M16, M17, M18, M19)
20197308	PRESSURE SWITCH-YELLOW
20162903	PRIMARY LIMIT - BLUE (M4, M5, M6, M7, M8, M9, M15, M16, M17, M18, M19)
0130F00038	PRIMARY LIMIT - LT BLUE 120° (M13, M14)
20162904	PRIMARY LIMIT-TEMPERATURE CONTROL (M1, M2, M3, M10, M11, M12)
B1141605	TRANSFORMER 120V TO 24V, 40 VA
0151M00028	VALVE,GAS(HW)VR92

M1 - GMH950453BXAD
M2 - GMH950453BXAE
M3 - GMH950453BXAF
M4 - GMH950703BXAE
M5 - GMH950703BXAF
M6 - GMH950703BXAG
M7 - GMH950704CXAD
M8 - GMH950704CXAE
M9 - GMH950704CXAF
M10 - GMH950904CXAE
M11 - GMH950904CXAF
M12 - GMH950904CXAG
M13 - GMH950905CXAB
M14 - GMH950905CXAC
M15 - GMH950905DXAD
M16 - GMH950905DXAE
M17 - GMH951155DXAE
M18 - GMH951155DXAF
M19 - GMH951155DXAG

SPECIAL PARTS

0161F00000P	GOODMAN NAMEPLATE
-------------	-------------------

Cabinet

Image 1

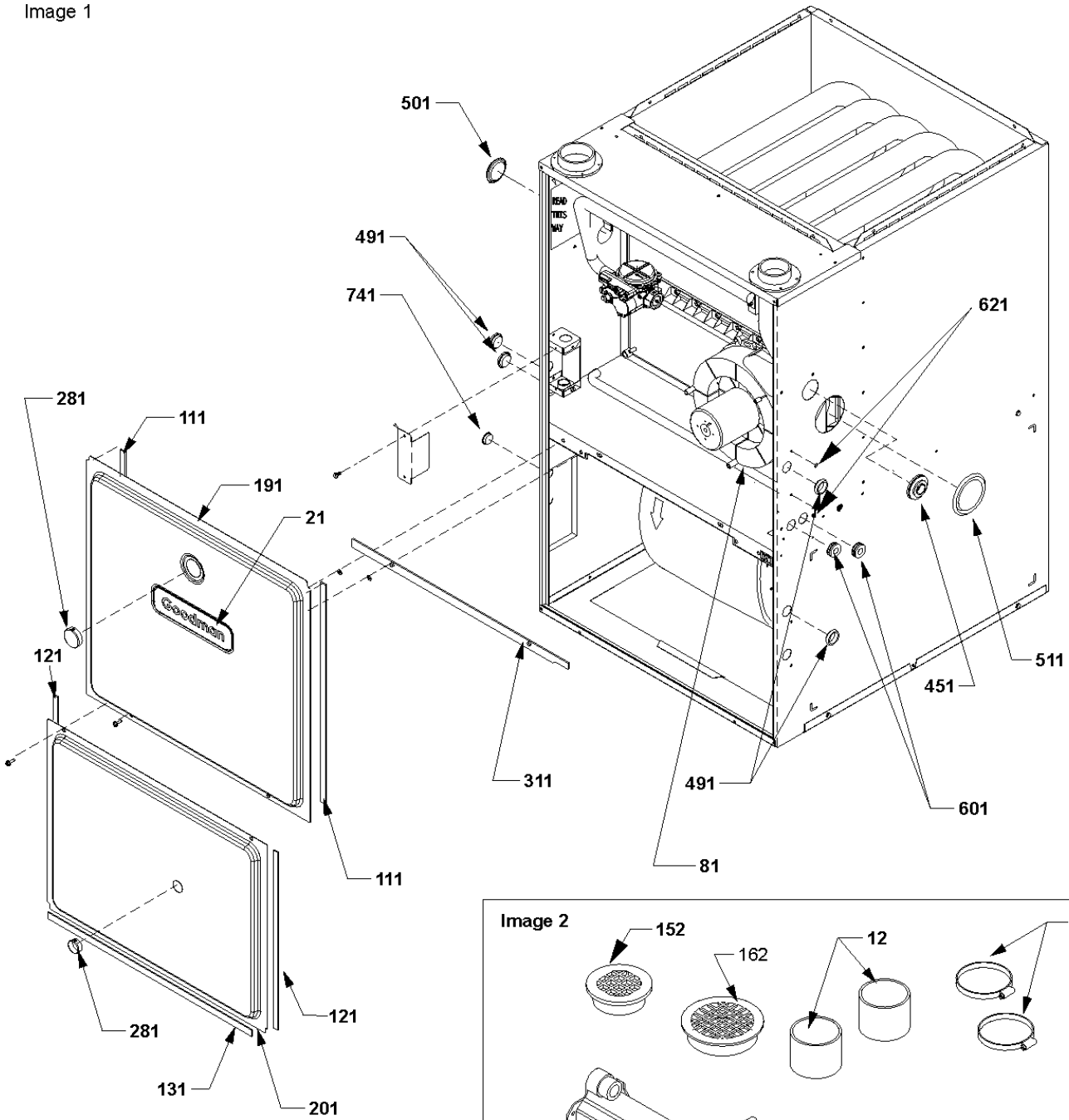
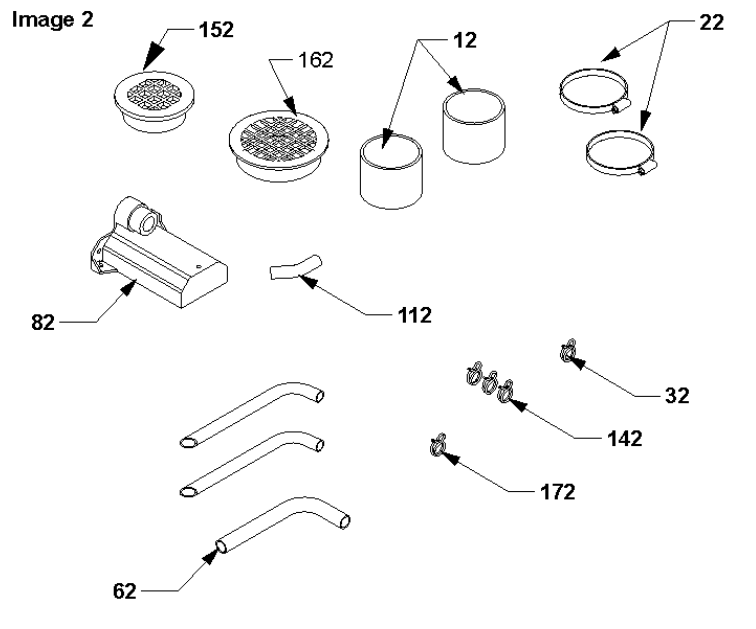


Image 2



Cabinet

Ref. Part No: No:	Description:	Ref. Part No: No:	Description:
-------------------	--------------	-------------------	--------------

Image 1:

21	0161F00000P	GOODMAN NAMEPLATE
81	20201902	DRAIN HOSE
111	20179308	GASKET (QTY 2)
121	20179311	GASKET (QTY A/R)
131	20179312	GASKET (M7, M8, M9, M10, M11, M12, M13, M14)
131	20179313	GASKET (M15, M16, M17, M18, M19)
131	20194605	GASKET (M1, M2, M3, M4, M5, M6)
191	0121F00072DG	ACCESS DOOR (M1, M2, M3, M4, M5, M6)
191	0121F00073DG	ACCESS DOOR (M7, M8, M9, M10, M11, M12, M13, M14)
191	0121F00074DG	ACCESS DOOR (M15, M16, M17, M18, M19)
201	0121F00069DG	BLOWER DOOR (M1, M2, M3, M4, M5, M6)
201	0121F00070DG	BLOWER DOOR (M7, M8, M9, M10, M11, M12, M13, M14)
201	0121F00071DG	BLOWER DOOR (M15, M16, M17, M18, M19)
281	B1392139	VIEW PORT BUSHING-BLOWER DOOR (QTY 2)
311	22320001	DECK GASKET (M1, M2, M3, M4, M5, M6)
311	22320002	DECK GASKET (M7, M8, M9, M10, M11, M12, M13, M14)
311	22320003	DECK GASKET (M15, M16, M17, M18, M19)
451	M0501301	PIPE GROMMET
491	M0570808	BUTTON PLUG (QTY 4)
501	M0570806	BUTTON PLUG
511	M0570807	BUTTON PLUG
601	A4691701	GROMMET (QTY 2)
621	M0310345	BUTTON PLUG (QTY 2)
741	B1392104	UNIVERSAL BUSHING UB 875

Expanded Model Nomenclature

M1 - GMH950453BXAD
M2 - GMH950453BXAE
M3 - GMH950453BXAF
M4 - GMH950703BXAE
M5 - GMH950703BXAF
M6 - GMH950703BXAG
M7 - GMH950704CXAD
M8 - GMH950704CXAE
M9 - GMH950704CXAF
M10 - GMH950904CXAE
M11 - GMH950904CXAF
M12 - GMH950904CXAG
M13 - GMH950905CXAB
M14 - GMH950905CXAC
M15 - GMH950905DXAD
M16 - GMH950905DXAE
M17 - GMH951155DXAE
M18 - GMH951155DXAF
M19 - GMH951155DXAG

Image 2:

12	10254303	RUBBER COUPLING
22	0163M00049	HOSE CLAMP (QTY 2)
32	M0119207	HOSE CLAMP
62	20201901	DRAIN HOSE
82	20171701	DRAIN TRAP
112	20214202	DRAIN-ANGLE
142	M0119205	HOSE CLAMP (QTY 3)
152	B2810816	2" MESH INSERT
162	B2810814	3" MESH INSERT
172	M0119206	HOSE CLAMP

Blower Assembly

Image 1

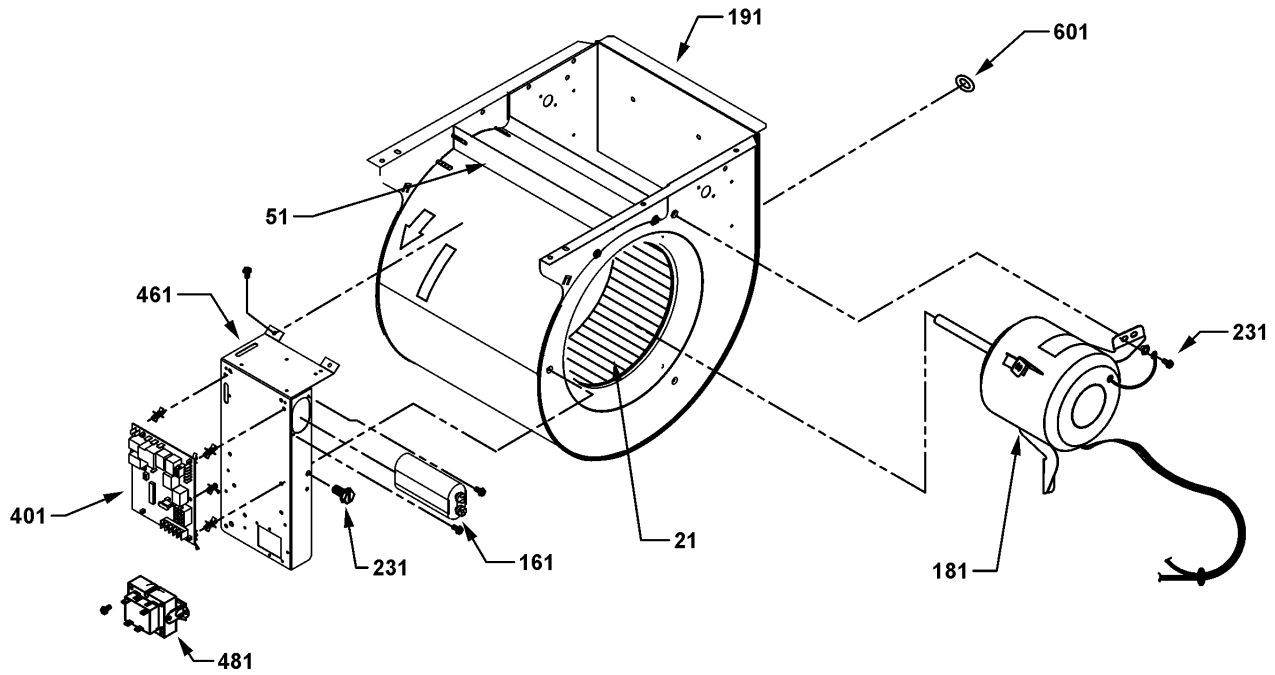
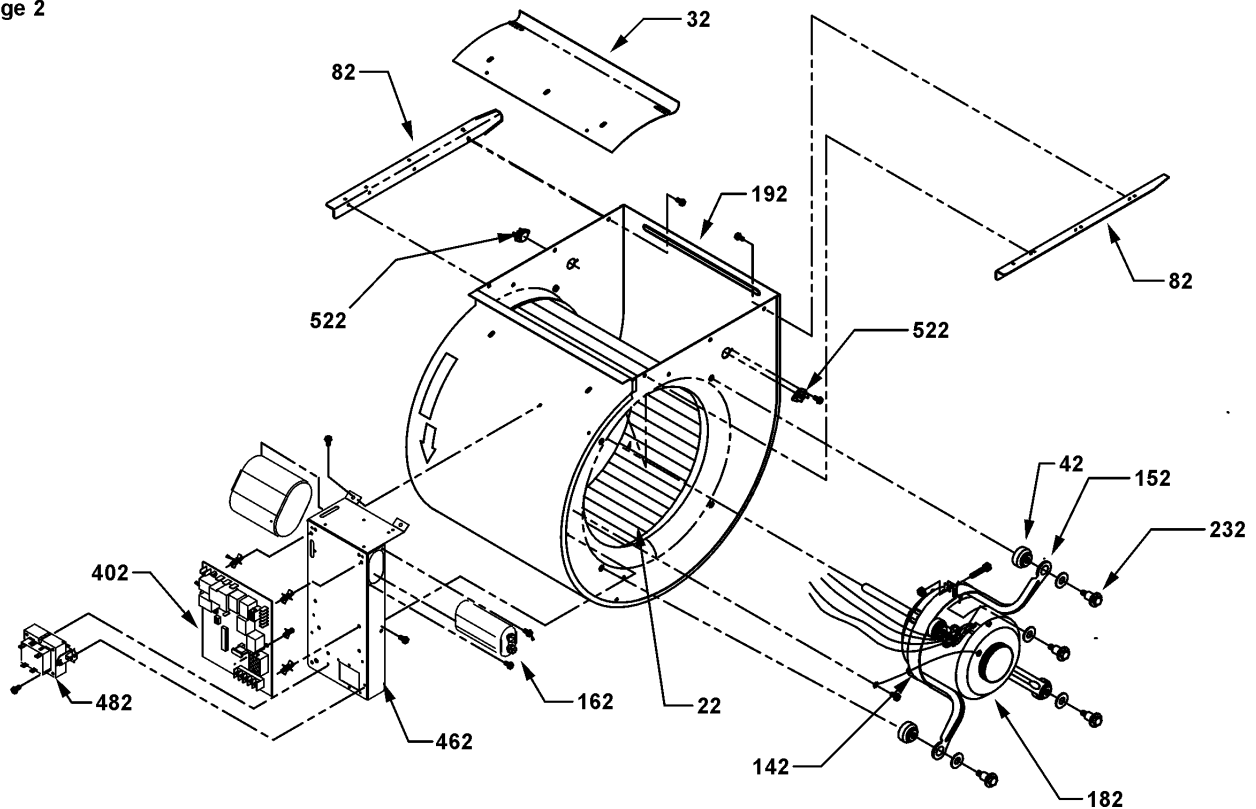


Image 2



Blower Assembly

**Ref. Part
No: No:**

Description:

Image 1:

21	B1368047	BLOWER WHEEL 10 X 10 (M7, M8, M9, M10, M11, M12)
21	B1368058	BLOWER WHEEL 10 X 8 (M1, M2, M3, M4, M5, M6)
51	764741F	BLOWER BLOCK-OFF 10 X 10 (M7, M8, M9, M10, M11, M12)
51	764740	BLWR BLK-OFF,10X8 (M1, M2, M3, M4, M5, M6)
161	CAP125000370VA	CAPACITOR 12.5/370V (M1, M2, M3, M4, M5, M6)
161	CAP200000370VA	CAPACITOR 20/370V (M7, M8, M9, M10, M11, M12)
181	0131F00022	BLOWER MOTOR 1/2 HP, 4 SP, 6 PL (M7, M8, M9, M10, M11, M12)
181	0131F00020	BLOWER MOTOR 1/3 HP, 4 SP, 6 PL (M1, M2, M3, M4, M5, M6)
191	0271F00003P	BLOWER ASSY 10X10 UF (M7, M8, M9, M10, M11, M12)
191	0271F00000P	BLOWER HOUSING ASSY 10 X 8 (M1, M2, M3, M4, M5, M6)
231	M0250558	TC SCREW (M1, M2, M3, M4, M5, M6, M7, M8, M9, M10, M11, M12)
401	PCBBF132	PCB 2STAGE HYBRID FUR (M1, M2, M3, M4, M5, M6, M7, M8, M9, M10, M11, M12)
461	0121F00025P	CONTROL BRACKET
481	B1141605	TRANSFORMER 120V TO 24V, 40 VA
601	B1392021	PLASTIC PLUG, 1" (2713-BLK) (M1, M2, M3, M4, M5, M6, M7, M8, M9, M10, M11, M12)
NS	0159F00002	HARNESS-WIRING (M1, M4, M7, M10, M15, M17)
NS	0159F00018	WIRING HARNESS (M2, M3, M5, M6, M8, M9, M11, M12, M16, M18, M19)

Image 2:

22	D6723311	BLOWER WHEEL (M13, M14, M15, M16, M17, M18, M19)
42	A4002702	BLOWER MOTOR GROMMET (M13, M14, M15, M16, M17, M18, M19)
52	C6121807	BLOWER CUT-OFF (M13, M14, M15, M16, M17, M18, M19)
82	20175101	BLOWER SIDE RAIL (M13, M14, M15, M16, M17, M18, M19)
142	10441601	MOTOR MOUNT BAND (M13, M14, M15, M16, M17, M18, M19)
152	10441501	MOTOR MOUNT ARM (M13, M14, M15, M16, M17, M18, M19)
162	CAP150000370VA	CAPACITOR 15/370V (M13, M14, M15, M16, M17, M18, M19)
182	10759415	BLOWER MOTOR 3/4 HP, 4 SP, 8 PL (M13, M14, M15, M16, M17, M18, M19)
192	0271F00047	BLOWER HOUSING ASSY 11 X 10 (M13, M14)
192	0271F00048	BLOWER HOUSING ASSY 11 X 10 (M15, M16, M17, M18, M19)
232	M0221461	TC SCREW (M13, M14, M15, M16, M17, M18, M19)
402	PCBBF132	PCB 2STAGE HYBRID FURNACE CNTL (M13, M14, M15, M16, M17, M18, M19)
462	0121F00025P	CONTROL BRACKET

**Ref. Part
No: No:**

Description:

Image 2:

482	B1141605	TRANSFORMER 120V TO 24V, 40 VA
522	0130F00038	PRIMARY LIMIT - LT BLUE 120° (M13, M14)
NS	0159F00010	HARNESS-WIRING (M13, M14)
NS	0259F00024	WIRE HARNESS-BLOWER (M13, M14)

Expanded Model Nomenclature

M1 - GMH950453BXAD
M2 - GMH950453BXAE
M3 - GMH950453BXAF
M4 - GMH950703BXAE
M5 - GMH950703BXAF
M6 - GMH950703BXAG
M7 - GMH950704CXAD
M8 - GMH950704CXAE
M9 - GMH950704CXAF
M10 - GMH950904CXAE
M11 - GMH950904CXAF
M12 - GMH950904CXAG
M13 - GMH950905CXAB
M14 - GMH950905CXAC
M15 - GMH950905DXAD
M16 - GMH950905DXAE
M17 - GMH951155DXAE
M18 - GMH951155DXAF
M19 - GMH951155DXAG

Chassis

Image 1

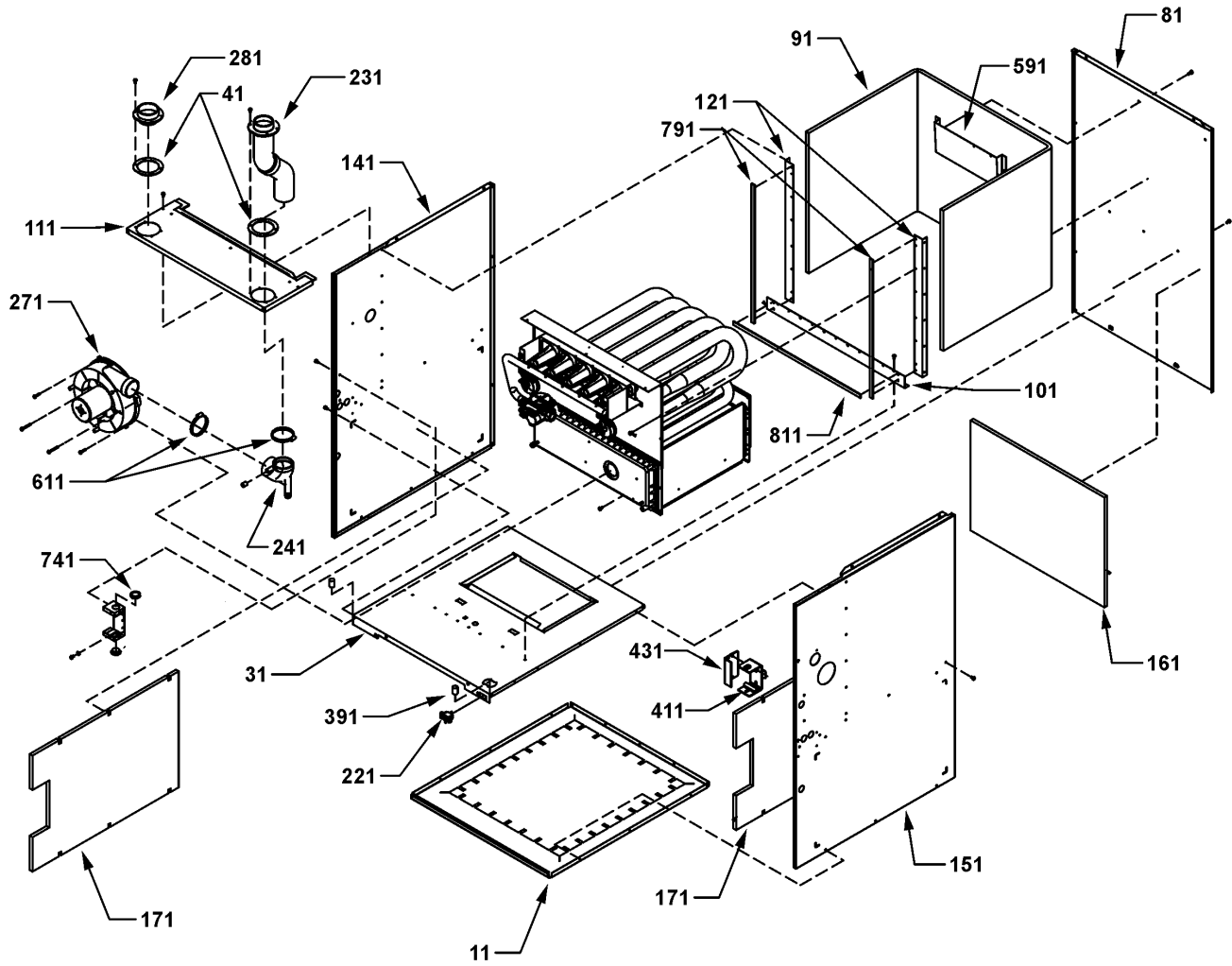
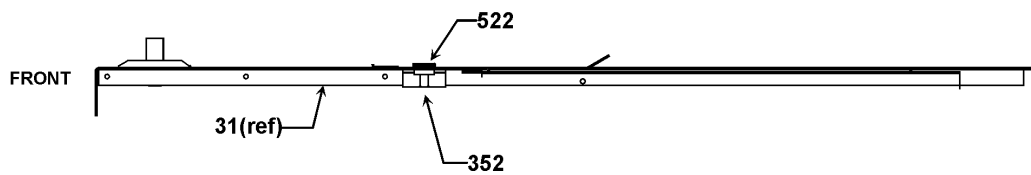


Image 2



Chassis

Ref. Part No:	No:	Description:	Ref. Part No:	No:	Description:																			
<i>Image 1:</i>			<i>Image 1:</i>																					
11	0121F00050DG	BASE PAN (M1, M2, M3, M4, M5, M6)	791	20194608	GASKET (QTY 2)																			
11	0121F00051DG	BASE PAN (M7, M8, M9, M10, M11, M12, M13, M14)	811	20194605	GASKET (M1, M2, M3, M4, M5, M6)																			
11	0121F00052DG	BASE PAN (M15, M16, M17, M18, M19)	811	20194606	GASKET (M7, M8, M9, M10, M11, M12, M13, M14)																			
31	0121F00043	BLOWER DECK (M1, M2, M3, M4, M5, M6)	811	20194607	GASKET (M15, M16, M17, M18, M19)																			
31	0121F00045	BLOWER DECK (M7, M8, M9, M10, M11, M12)	<i>Image 2:</i>																					
31	0121F00048	BLOWER DECK (M15, M16, M17, M18, M19)	352	10861101	AUXILIARY LIMIT BRACKET (M1, M2, M3, M4, M5, M6, M7, M8, M9, M10, M11, M12, M15, M16, M17, M18, M19)																			
31	0121F00246	BLOWER DECK (M13, M14)	522	10123519	MANUAL RESET LIMIT (M17, M18, M19)																			
41	0154F00000P	COIL GASKET (M1, M2, M3, M4, M5, M6)	522	10123535	MANUAL RESET LIMIT-RED (M1, M2, M3, M4, M5, M6, M7, M8, M9, M10, M11, M12, M15, M16)																			
41	0154F00001P	COIL GASKET (M7, M8, M9, M10, M11, M12, M13, M14)																						
41	0154F00002P	COIL GASKET (M15, M16, M17, M18, M19)																						
81	20273208	BACK PANEL (M1, M2, M3, M4, M5, M6)	Expanded Model Nomenclature																					
81	20273209	BACK PANEL (M7, M8, M9, M10, M11, M12, M13, M14)	<table border="1"> <tr><td>M1 - GMH950453BXAD</td></tr> <tr><td>M2 - GMH950453BXAE</td></tr> <tr><td>M3 - GMH950453BXAF</td></tr> <tr><td>M4 - GMH950703BXAE</td></tr> <tr><td>M5 - GMH950703BXAF</td></tr> <tr><td>M6 - GMH950703BXAG</td></tr> <tr><td>M7 - GMH950704CXAD</td></tr> <tr><td>M8 - GMH950704CXAE</td></tr> <tr><td>M9 - GMH950704CXAF</td></tr> <tr><td>M10 - GMH950904CXAE</td></tr> <tr><td>M11 - GMH950904CXAF</td></tr> <tr><td>M12 - GMH950904CXAG</td></tr> <tr><td>M13 - GMH950905CXAB</td></tr> <tr><td>M14 - GMH950905CXAC</td></tr> <tr><td>M15 - GMH950905DXAD</td></tr> <tr><td>M16 - GMH950905DXAE</td></tr> <tr><td>M17 - GMH951155DXAE</td></tr> <tr><td>M18 - GMH951155DXAF</td></tr> <tr><td>M19 - GMH951155DXAG</td></tr> </table>			M1 - GMH950453BXAD	M2 - GMH950453BXAE	M3 - GMH950453BXAF	M4 - GMH950703BXAE	M5 - GMH950703BXAF	M6 - GMH950703BXAG	M7 - GMH950704CXAD	M8 - GMH950704CXAE	M9 - GMH950704CXAF	M10 - GMH950904CXAE	M11 - GMH950904CXAF	M12 - GMH950904CXAG	M13 - GMH950905CXAB	M14 - GMH950905CXAC	M15 - GMH950905DXAD	M16 - GMH950905DXAE	M17 - GMH951155DXAE	M18 - GMH951155DXAF	M19 - GMH951155DXAG
M1 - GMH950453BXAD																								
M2 - GMH950453BXAE																								
M3 - GMH950453BXAF																								
M4 - GMH950703BXAE																								
M5 - GMH950703BXAF																								
M6 - GMH950703BXAG																								
M7 - GMH950704CXAD																								
M8 - GMH950704CXAE																								
M9 - GMH950704CXAF																								
M10 - GMH950904CXAE																								
M11 - GMH950904CXAF																								
M12 - GMH950904CXAG																								
M13 - GMH950905CXAB																								
M14 - GMH950905CXAC																								
M15 - GMH950905DXAD																								
M16 - GMH950905DXAE																								
M17 - GMH951155DXAE																								
M18 - GMH951155DXAF																								
M19 - GMH951155DXAG																								
81	20273211	BACK PANEL (M15, M16, M17, M18, M19)																						
91	C6415909	HEAT EXCHANGER INSULATION (M15, M16, M17, M18, M19)																						
91	C6415910	HEAT EXCHANGER INSULATION (M1, M2, M3, M4, M5, M6)																						
91	C6415911	HEAT EXCHANGER INSULATION (M7, M8, M9, M10, M11, M12, M13, M14)																						
101	0121F00018P	DECK RAIL (M1, M2, M3, M4, M5, M6)																						
101	0121F00019P	DECK RAIL (M7, M8, M9, M10, M11, M12, M13, M14)																						
101	20191303	DECK RAIL (M15, M16, M17, M18, M19)																						
111	0270F00100P	TOP COVER ASSY (M1, M2, M3, M4, M5, M6)																						
111	0270F00101P	TOP COVER ASSY (M7, M8, M9, M10, M11, M12, M13, M14)																						
111	0270F00102P	TOP COVER ASSY (M15, M16, M17, M18, M19)																						
121	20191602	SIDE RAIL (M1, M2, M3, M4, M5, M6)																						
121	20191603	SIDE RAIL (M7, M8, M9, M10, M11, M12, M13, M14)																						
121	20191604	SIDE RAIL (M15, M16, M17, M18, M19)																						
141	0121F00429DG	PANEL- SIDE LH UF FUR PNT																						
151	0121F00428DG	PANEL- SIDE RH UF FUR PNT																						
161	20006601	INSULATION (M1, M2, M3, M4, M5, M6)																						
161	20006602	INSULATION (M7, M8, M9, M10, M11, M12, M13, M14)																						
161	20006603	INSULATION (M15, M16, M17, M18, M19)																						
171	20243503	SIDE INSULATION (QTY 2)																						
221	B1370818	INTERLOCK SWITCH																						
231	22309501	FLUE PIPE																						
241	20171802	ELBOW																						
271	0171M00000	BLOWER-ID																						
281	20049701	FA COUPLING																						
391	M0275521	PLASTIC SEALER (QTY 0)																						
411	0161F00012	JUNCTION BOX-PLA																						
431	0161F00013	JUNCTION BOX-LID																						
591	11165107	ID BLOWER SHIELD																						
611	0163M00049	HOSE CLAMP (QTY 2)																						
741	B1392104	UNIVERSAL BUSHING UB 875																						

Manifold / Gas Valve

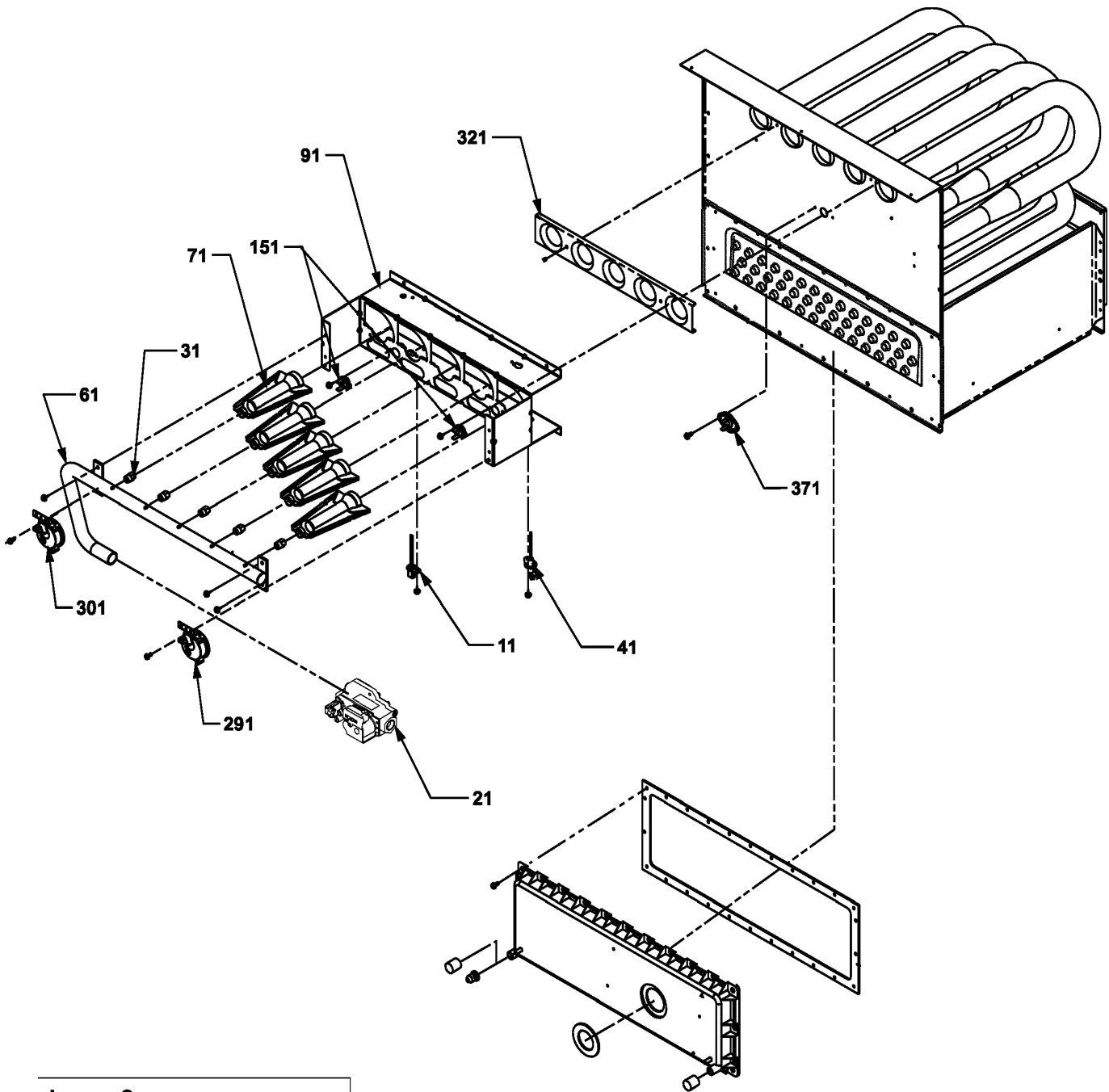
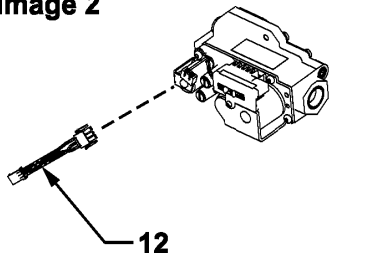


Image 2



Manifold / Gas Valve

Ref. Part No: No:	Description:	Ref. Part No: No:	Description:
-------------------	--------------	-------------------	--------------

Image 1:

11	0130F00008	IGNITOR-SINI 17 SEC
21	0151M00028	VALVE,GAS(HW)VR92
31	10716003	ORIFICE (QTY 2)
41	0130F00010	FLAME SENSOR
61	20196401	MANIFOLD - 2 BRNR (M4, M5, M6, M7, M8, M9)
61	20196402	MANIFOLD - 3 BRNR (M1, M2, M3)
61	20196403	MANIFOLD - 4 BRNR (M10, M11, M12, M13, M14, M15, M16)
61	20196404	MANIFOLD - 5 BRNR (M17, M18, M19)
71	10735102	BECKETT BURNER (QTY A/R)
91	20190410	BURNER BRACKET 2B (M1, M2, M3)
91	20190411	BURNER BRACKET 3B (M4, M5, M6, M7, M8, M9)
91	20190412	BURNER BRACKET 4B (M10, M11, M12, M13, M14, M15, M16)
91	20190413	BURNER BRACKET 5B (M17, M18, M19)
151	10123517	MANUAL RESET LIMIT (M13, M14)
151	10123533	MANUAL RESET LIMIT-YELLOW (M1, M2, M3, M4, M5, M6, M7, M8, M9, M10, M11, M12, M15, M16, M17, M18, M19)
291	0130F00110	PRESSURE SWITCH - GREEN (M13, M14)
291	0130F00001P	PRESSURE SWITCH-GRAY (M10, M11, M12)
291	0130F00002P	PRESSURE SWITCH-OLIVE (M4, M5, M6)
291	0130F00000P	PRESSURE SWITCH-SUNGOLD (M1, M2, M3, M7, M8, M9, M15, M16, M17, M18, M19)
301	20197308	PRESSURE SWITCH-YELLOW
321	11072201	ORIFICE SHIELD (M1, M2, M3)
321	11072202	ORIFICE SHIELD (M4, M5, M6, M7, M8, M9)
321	11072203	ORIFICE SHIELD (M10, M11, M12, M13, M14, M15, M16)
321	11072204	ORIFICE SHIELD (M17, M18, M19)
371	0130F00105	LIMIT SWITCH (M13, M14)
371	20162903	PRIMARY LIMIT - BLUE (M4, M5, M6, M7, M8, M9, M15, M16, M17, M18, M19)
371	20162904	PRIMARY LIMIT-TEMPERATURE CONTROL (M1, M2, M3, M10, M11, M12)
NS	0164M00002	PRESSURE SWITCH HOSE
NS	0164M00009	PRESSURE SWITCH HOSE
NS	0164M00011	PRESSURE SWITCH HOSE (M1, M2, M3)
NS	0164M00012	PRESSURE SWITCH HOSE (M4, M5, M6)
NS	0164M00013	PRESSURE SWITCH HOSE (M10, M11, M12, M13, M14)

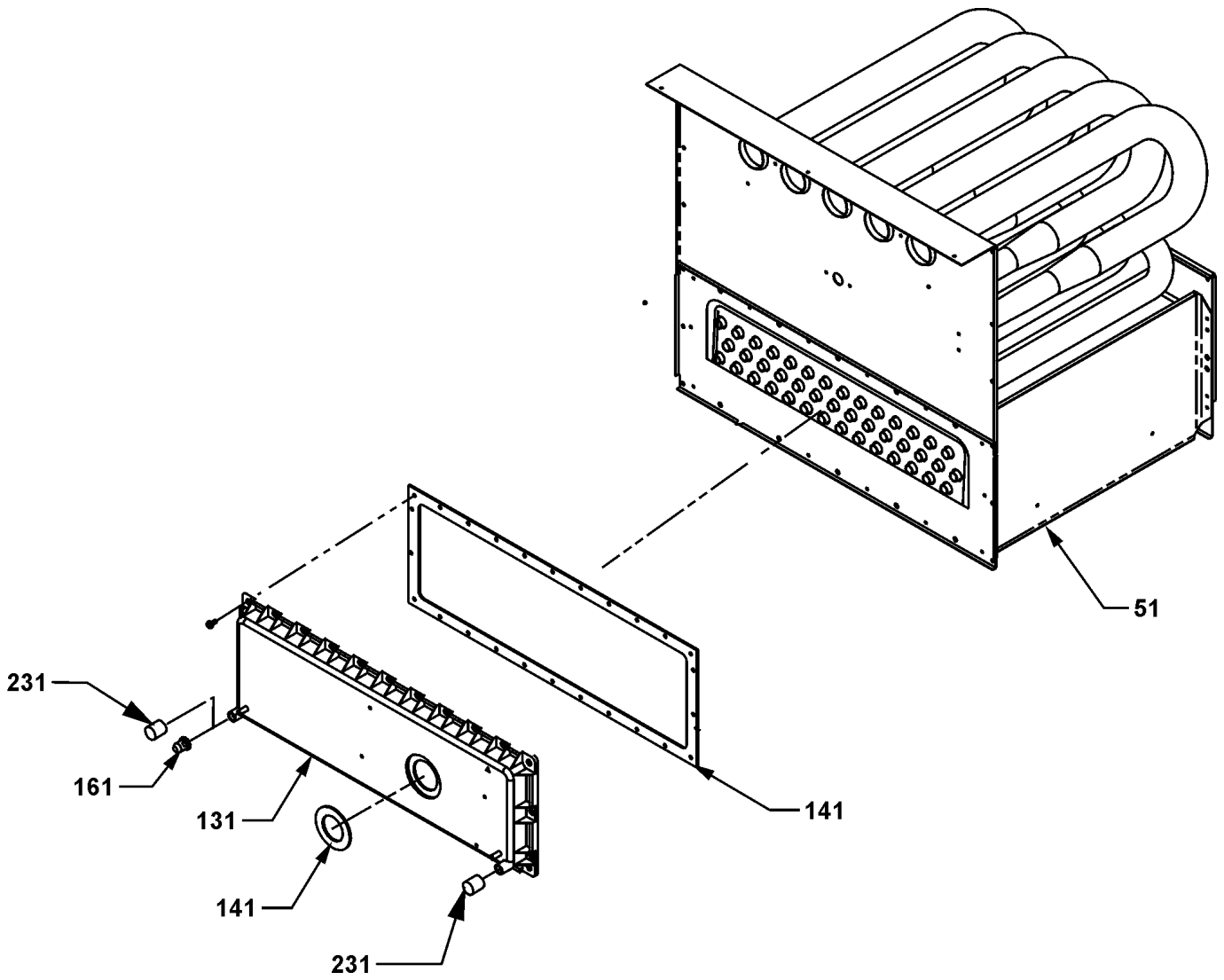
Expanded Model Nomenclature

M1 - GMH950453BXAD
M2 - GMH950453BXAE
M3 - GMH950453BXAF
M4 - GMH950703BXAE
M5 - GMH950703BXAF
M6 - GMH950703BXAG
M7 - GMH950704CXAD
M8 - GMH950704CXAE
M9 - GMH950704CXAF
M10 - GMH950904CXAE
M11 - GMH950904CXAF
M12 - GMH950904CXAG
M13 - GMH950905CXAB
M14 - GMH950905CXAC
M15 - GMH950905DXAD
M16 - GMH950905DXAE
M17 - GMH951155DXAE
M18 - GMH951155DXAF
M19 - GMH951155DXAG

Image 2:

12	0259M00004	WIRE HARNESS, ADAPTOR (M1, M4, M7, M10, M15, M17)
----	------------	---

Heat Exchanger



Heat Exchanger

Ref. Part No:	No:	Description:	Ref. Part No:	No:	Description:
<i>Image 1:</i>					
51	0257F00140	HEAT EXCHANGER ASSY 4B (M15, M16)			
51	0257F00180	HEAT EXCHANGER ASSY 5B (M17, M18, M19)			
51	0257F00143	HT EX ASSY 2B FUR (M1, M2, M3)			
51	0257F00146	HT EX ASSY 3B FUR (M7, M8, M9)			
51	0257F00178	HT EX ASSY 3B FUR (M4, M5, M6)			
51	0257F00179	HT EX ASSY 4B FUR (M10, M11, M12, M13, M14)			
131	20170804A	COVER-FRONT (M1, M2, M3)			
131	20170806A	COVER-FRONT (M4, M5, M6)			
131	20170901A	COVER-FRONT (M10, M11, M12, M13, M14)			
131	20170905A	COVER-FRONT (M7, M8, M9)			
131	20171003A	COVER-FRONT (M15, M16)			
131	20171004A	COVER-FRONT (M17, M18, M19)			
141	0154F00000P	COIL GASKET (M1, M2, M3, M4, M5, M6)			
141	0154F00001P	COIL GASKET (M7, M8, M9, M10, M11, M12, M13, M14)			
141	0154F00002P	COIL GASKET (M15, M16, M17, M18, M19)			
161	M0326804	TUBE PLUG			
231	A1781105	CAP-VINYL .500 (QTY 2)			

Expanded Model Nomenclature

M1 - GMH950453BXAD
M2 - GMH950453BXAE
M3 - GMH950453BXAF
M4 - GMH950703BXAE
M5 - GMH950703BXAF
M6 - GMH950703BXAG
M7 - GMH950704CXAD
M8 - GMH950704CXAE
M9 - GMH950704CXAF
M10 - GMH950904CXAE
M11 - GMH950904CXAF
M12 - GMH950904CXAG
M13 - GMH950905CXAB
M14 - GMH950905CXAC
M15 - GMH950905DXAD
M16 - GMH950905DXAE
M17 - GMH951155DXAE
M18 - GMH951155DXAF
M19 - GMH951155DXAG