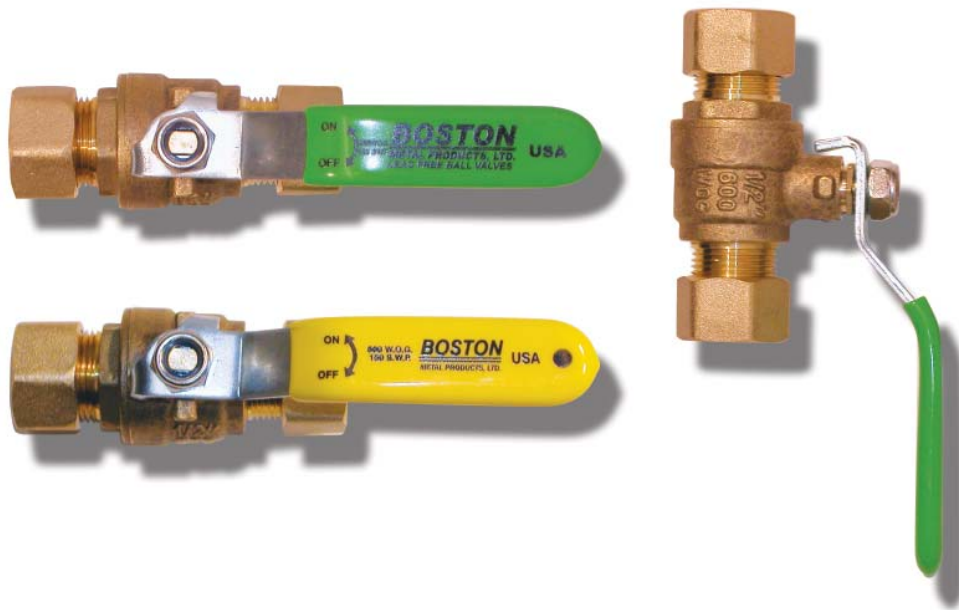




COM1000 COM1000LF



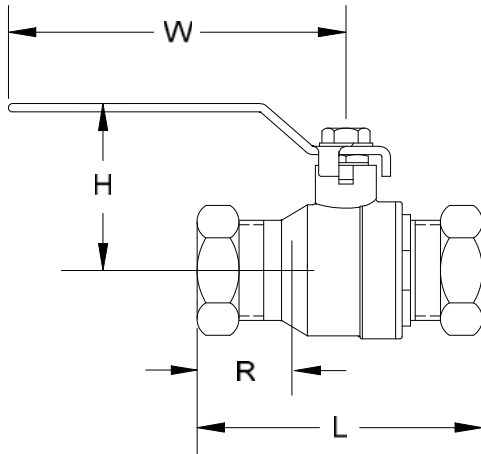
THE BOSTON VALVE Co.

A DIVISION OF BOSTON METAL PRODUCTS, LTD.
25 THURBER BLVD., UNIT #3
SMITHFIELD, RI 02917

TOLL FREE: 1-800-839-0013, TEL: 401-231-8537
FAX: 401-231-8491
WWW.BOSTONVALVE.COM

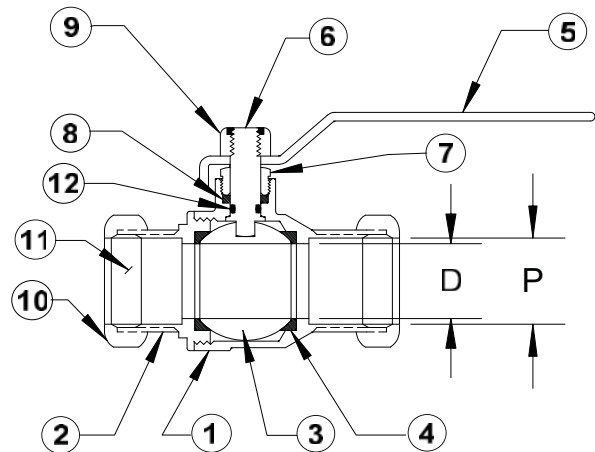
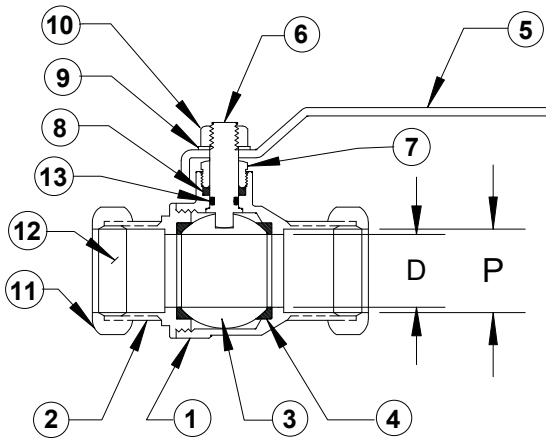
COM1000 & COM1000LF SERIES COMPRESSION VALVE

A high quality stop and waste, full port, forged brass ball valve with compression end connections.



DIMENSIONS

CAT. NO.	CAT. NO.	SIZE	L	D	H	W	P
COM0501000	COM0501000LF	1/2	2.82	.59	1.77	3.65	.625
COM0751000	COM0751000LF	3/4	3.23	.75	2.05	4.65	.875
COM1001000	COM1001000LF	1	3.75	1.00	2.14	4.65	1.125



COM1000 SERIES MATERIAL LIST

NO.	PART NAME	MATERIAL
13	O-RING	BUNA-N
12	FERRULE	BRASS
11	COMPRESSION NUT	BRASS
10	NUT	STEEL, ZINC PLATED
9	LOCK WASHER	STEEL, ZINC PLATED
8	STEM PACKING	PTFE
7	GLAND NUT	BRASS
6	STEM	BRASS
5	HANDLE	ZINC PLATED STEEL, PLASTICOATED
4	SEAT	PTFE
3	BALL	BRASS, HARD CHROME PLTD.
2	END CAP	BRASS
1	BODY	BRASS

COM1000LF SERIES MATERIAL LIST

NO.	PART NAME	MATERIAL
12	O-RING	BUNA-N
11	FERRULE	BRASS
10	COMPRESSION NUT	BRASS
9	NUT	STEEL, NYLON
8	STEM PACKING	PTFE
7	GLAND NUT	BRASS
6	STEM	BRASS
5	HANDLE	ZINC PLATED STEEL, PLASTICOATED
4	SEAT	PTFE
3	BALL	BRASS, HARD CHROME PLTD.
2	END CAP	BRASS C46400
1	BODY	BRASS C46400