



**FIELD CONTROLS**  
The Venting Solutions Company®

# Draft Control



D R A F T   C O N T R O L   G U I D E

[www.fieldcontrols.com](http://www.fieldcontrols.com)

August 2007

# Draft Control

For proper operation and efficient fuel consumption in oil, gas, and/or coal-fired heating appliances, draft must remain constant. When it is, combustion is more complete, fuels are utilized efficiently, and money is saved.

Field Draft Controls maintain consistent draft by counteracting the negative forces caused by changes in temperature and barometric pressure, as well as the effects of wind.



RC



MG-1



M



M+MG2

## How Draft Controls Work

Static pressure of the cool air (1) exerts pressure on the outside of the furnace or boiler, the breaching, and stack. The pressure difference between the room air and heated gas (air) causes products of combustion (2) to flow (draft) through the unit and rise through the breaching and chimney.

Room temperature air (3) enters through the barometric draft control (4) in the precise amount needed to overcome the excess drafts caused by temperature variations, wind fluctuations, and barometric pressure changes.

Combustion of fuel is complete and the process is stabilized. The velocity of combustion gases through the heat exchanger is slowed so more heat is extracted. The unit operates more efficiently, reliably, and requires less maintenance.

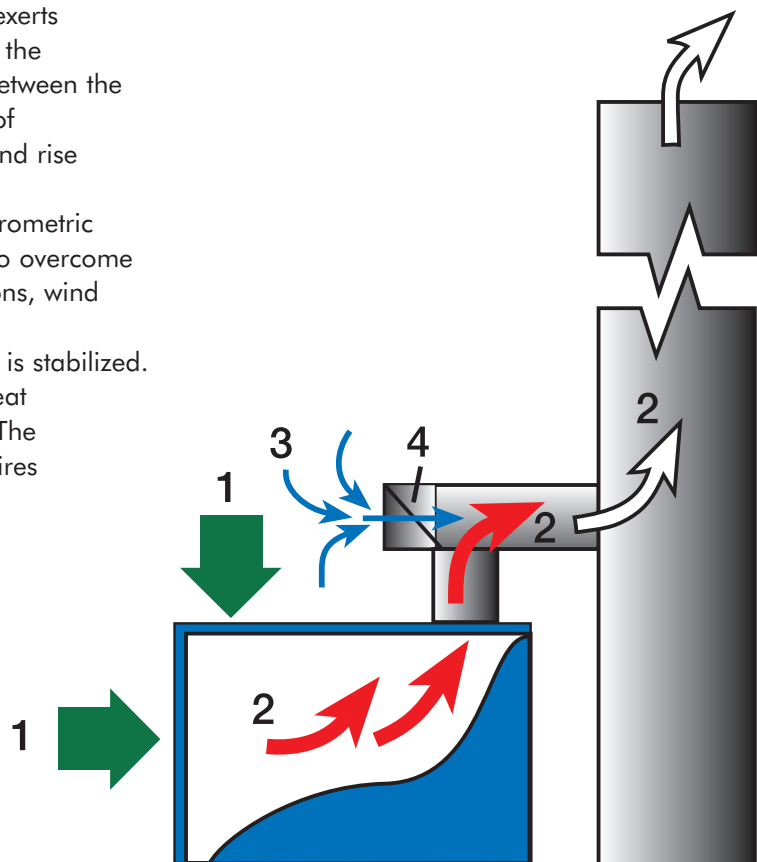


Illustration A  
Gas Installation

# Draft Control

## Typical Natural Vent System

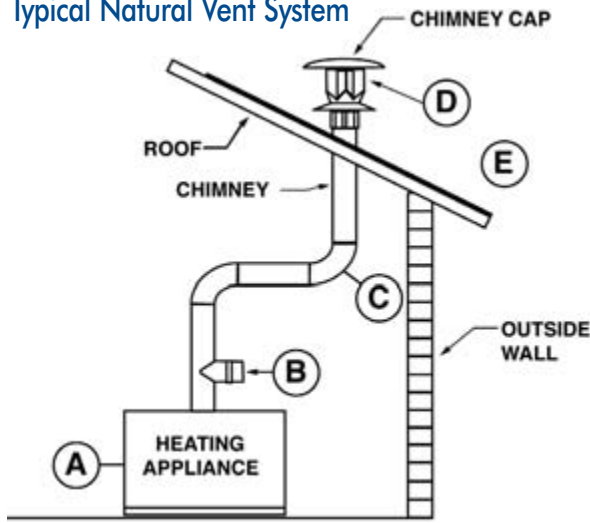


Illustration B demonstrates how pressure changes as air/gases flow through the appliance (A), past the draft control (B), through the vent pipe (C), and outside the building (D/E).

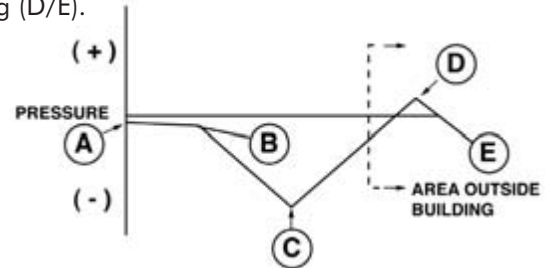


Illustration B

## When to use a Draft Control

### • Draft Inducers/Power Venters

With these devices, draft is increased or created, causing fluctuations in air flow through the combustion chamber. These fluctuations can be negated by the use of a barometric draft control located between the draft inducer or power venter and the furnace, boiler, or water heater it services. Use a single-acting control for oil and gas-fired equipment with a power vented system. Use a single-acting control for oil, and a double-acting control for gas-fired equipment with a draft induced system.

### • Power Burners

A power burner is designed so that a fan delivers negative air pressure to the combustion chamber. A single-acting draft control for oil maintains that negative pressure.

A power burner designed to burn natural or LP gas operates in the same manner. While a draft hood (diverter) is often used on gas units fired with an atmospheric burner, a double-acting barometric draft control should be used for furnaces or boilers fired with power burners.

### • Forced Draft Burners

Forced Draft installed with a stack height in excess of 30' will probably develop excessive natural draft, reducing the amount of pressure within the furnace

or boiler. A barometric draft control will help eliminate this undesirable stack action and permit the unit to be pressurized.

### • Dual Fuel Appliances

Burners capable of burning either gaseous fuels or oil should be equipped with a barometric draft control. We suggest using a double-acting control on units where fuels are frequently changed. The double-acting feature is important for gas-firing appliances because it allows spillage of combustion products in case of blocked flues or down-drafts. To detect flue gas spillage on dual fuel installation, a Field Thermal Safety Switch is recommended.

### • Gas-Fired Appliances

Gas-fired furnaces and boilers generally require a double-acting draft control. Like a single-acting control, it opens inwardly to maintain a uniform draft. But, unlike a single-acting control, it is also free to open outwardly to spill the products of combustion, in case of blocked flues or down-drafts.

National codes often mandate the use of a draft control. Usage is generally limited to furnaces or boilers designed for use with power burners and incinerators. Draft controls are generally used when oil-fired units are converted to gas.

# Draft Control

## Type RC

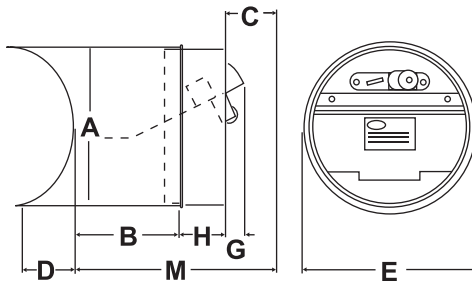
### Oil or Coal – Residential and Commercial

The Field RC is furnished as standard equipment on many leading brands of oil or coal-fired heating equipment. It is calibrated to allow for easy adjustment to the furnace or boiler manufacturer's specifications. Designed for settings from .02" to .08", this control is so sensitive that instrumentation should be used when adjusting the unit during installation.



### MATERIAL GAUGES

Size	4"	5"	6"	7"	8"	9"
RING	22	24	24	22	20	20
GATE	24	24	24	24	20	20
COLLAR	26	26	26	26	26	26



Model	Control Size	Nominal Capacity Sq. In.	Recommended Pipe Sizes (in.)		Dimensions (inches)							
			Dia.	Circum.	A	B	C	D	E	G	H	M
4" RC/RCBT	4	12.6	3-4-5	9 ½ to 15 ¾	4	2 ½	2	2 ⅝	4 ⅙	1	2 ½	7
5" RC/RCBT	5	19.6	4-5-6	12 ½ to 19	5	2 ½	2	2 ⅝	5 ⅙	1	2 ½	7
6" RC/RCBT	6	28.3	5-6-7	15 ¾ to 22	6	1 ⅞	3	2	6 ⅝	1	2 ¾	7 ⅝
7" RC/RCBT	7	38.5	6-7-8	19 to 25 ¼	7	2 ⅝	3 ½	2 ½	7 ⅝	1	2 ¾	8 ⅝
8" RC/RCBT	8	50.3	7-8-9	22 to 28 ⅛	8	4 ⅜	4	3 ⅜	8 ⅙	1 ⅞	2 ⅝	11
9" RC/RCBT	9	63.6	8-9-10	25 ¼ to 31 ½	9	5 ⅞	4 ½	3 ¾	9 ⅙	1 ½	2 ⅝	12 ¼

\*RCBT is recommended for wood and coal burning applications or anytime black pipe is preferred.

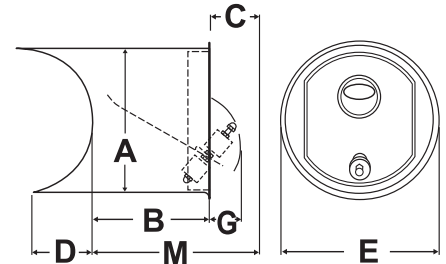
# Draft Control



## Type M

### Oil or Coal - Residential

The M control lends itself ideally to conditions requiring a great deal of stability and accuracy. Designed for settings from .01" to .1", the Field M Control is recommended for oil or coal-fired residential heating applications. The Type M features an infinitely variable screw adjustment, permitting an extremely fine instrument setting. The M employs side wings to control air direction with gate curvatures designed to compensate for differences in horizontal and vertical settings.



### MATERIAL GAUGES

Size	6"	7"	8"	9"
RING	24	22	20	20
GATE	26	22	20	20
COLLAR	26	26	24	24

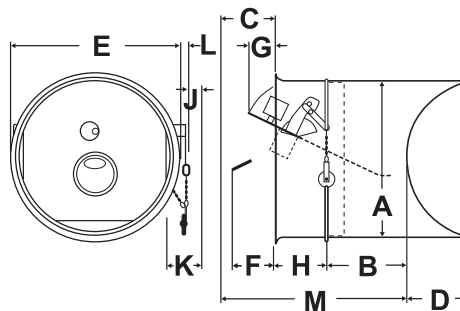
Model	Control Size	Nominal Capacity Sq. In.	Recommended Pipe Sizes (in.)		Dimensions (inches)						
			Dia.	Circum.	A	B	C	D	E	G	M
6" M	6	28.3	5-6-7	15 3/4 to 22	6	5	3	3 1/4	6 17/32	2	8
7" M	7	38.5	6-7-8	19 to 25 1/4	7	5 1/4	3 1/2	3 3/4	7 3/8	2 1/4	8 3/4
8" M	8	50.3	7-8-9	22 to 28 1/4	8	6 3/8	4	3 3/8	8 3/8	3	10 3/8
9" M	9	63.6	8-9-10	25 1/4 to 31 1/2	9	7 1/4	4 1/2	3 3/4	9 3/8	1 29/32	11 3/4

## Type MG-1

### Gas

A double-acting control for gas-fired furnaces and boilers is widely used for conversion burner installations, gas draft-induced appliance operation with mechanical draft inducers, or sidewall power venters. It is also recommended for use on gas atmospheric appliances where a draft hood cannot be installed, and can improve combustion stability and draft on many gas atmospheric installations with venting problems.

The MG-1 provides precise, accurate control of drafts at levels higher than permitted by a standard draft diverter, which is a frequent requirement with gas. Because it is double-acting, it opens out to relieve positive vent system pressures as low as .01". Draft adjustments using weights are simple and accurate from .01" to .1".



### MATERIAL GAUGES

Size	4"	5"	6"	7"	8"	9"
RING	24	24	24	22	20	20
GATE	24	24	24	22	20	20
COLLAR	26	26	26	26	26	26

Model	Control Size	Nominal Capacity Sq. In.	Recommended Pipe Sizes (in.)		Dimensions (inches)											
			Dia.	Circum.	A	B	C	D	E	F	G	H	J	K	L	M
4" MG-1	4	12.6	3 - 4	9 1/2 to 12 1/2	4	2 1/2	2	2 3/8	4 3/8	1 1/2	1/4	2 1/2	1/2	1 1/4	3/8	7
5" MG-1	5	19.6	4 - 5	12 1/2 to 15 3/4	5	2 1/2	2	2 3/8	5 3/8	2	5/8	2 1/2	1/2	1 1/4	1/2	7
6" MG-1	6	28.3	5 - 6	15 3/4 to 19	6	2 11/16	3	3 1/4	6 3/8	2 1/8	13/16	2 3/4	3/4	1 3/4	5/8	8 1/8
7" MG-1	7	38.5	6 - 7	19 to 22	7	3 3/8	3 1/2	3 3/4	7 3/8	2 3/8	1 1/8	2 3/4	3/4	2	1/4	9 3/8
8" MG-1	8	50.3	7 - 8	22 to 25 1/4	8	4 3/8	4	3 3/8	8 1/8	3	1 1/2	2 3/8	3/4	2 1/4	3/8	11
9" MG-1	9	63.6	8 - 9	25 1/4 to 28 1/4	9	5 1/8	4 1/2	3 3/4	9 1/8	3 1/2	1 3/4	2 3/8	3/4	2 1/2	3/8	12 1/4

# Draft Control

## Type M+MG2

### Solid, Oil or Gas Commercial/Industrial

This is a series of compact, rugged, heavy-duty controls for use on large residential, commercial, and industrial applications. The Field Type M+MG2 Draft Control provides precise draft regulations for solid fuels, oil, gas, or oil/gas appliances requiring only the simplest, on-the-job adjustments depending on which fuel is to be utilized. In a gas installation, the double-acting Type M+MG2 is specified instead of a draft hood to give the appliance the assistance of the chimney. In a dual fuel oil/gas or a gas-fired only application, use the M+MG2 as a double-acting draft control with the optional Field Thermal Switch accessory. Use the M+MG2 as a single-acting draft control for oil or solid fuel applications. For any installation with 10" or larger diameter smoke pipe, specify our standard M+MG2 Draft Control, the unit that can be adapted to any fuel. The moving part (gate) rests on a long, thin, stainless steel knife edge which, in turn, is supported by self-aligning and self-cleaning bearings. When the heavy gauge gate moves, only the knife edge rests on the bearing for minimum friction and maximum sensitivity to draft changes.



M+MG2



Model	Control Size	Nominal Capacity Sq. In.	Recommended Pipe Sizes (in.)		Dimensions (inches)											
			Dia.	Circum.	A	B	C	D	E	F	G	H	J	K	L	M
10" M+MG2*	10	78.5	9 - 10	28 ¼ to 31 ½	10	4 ¾	5	4 ¼	11	3 ¾	1 ½	4 ¾	1	3 ½	1	14 ½
12" M+MG2*	12	113	11 - 12	34 ½ to 37 ¾	12	5 ¾	6	5	13 ¼	4 ¾	1 ¾	4 ¾	1	3 ½	¾	16 ½
14" M+MG2*	14	154	13 - 14	40 ¾ to 44	14	7 ¾	7	5 ¾	15 ½	5 ¾	2 ½	5 ½	1	3 ½	¾	19 ¼
16" M+MG2	16	201	15 - 16	47 to 50 ¼	16	8 ¾	8	6 ½	17 ½	6 ¾	2 ¾	5 ¾	1 ½	4	¾	22
18" M+MG2	18	255	17 - 18	53 ½ to 56 ½	18	8 ¼	9	7 ½	19 ½	6 ¾	2 ¾	7 ¾	1 ½	5 ¼	1 ¾	24 ¾
20" M+MG2**	20	314	19 - 21	59 ¾ to 66	20	9 ¾	10	8 ½	22	7 ¾	3	7 ¾	1 ½	6 ¼	1 ¼	27 ¾
24" M+MG2**	24	452	22 - 25	69 to 78 ½	24	12 ¾	12	10 ½	26	9 ¼	3 ¾	8 ¾	2	6 ¼	1 ¼	33
28" M+MG2**	28	616	26 - 30	81 ¾ to 94 ¼	28	13 ¾	14	-	30 ½	10 ¾	4 ¾	11 ¾	2	6 ¼	¾	38 ½
32" M+MG2**	32	804	31 - 34	97 ½ to 107	32	15 ¾	16	-	35	12 ¼	4 ¾	12 ¾	2	6 ¼	¾	43 ½

\* CSA certified

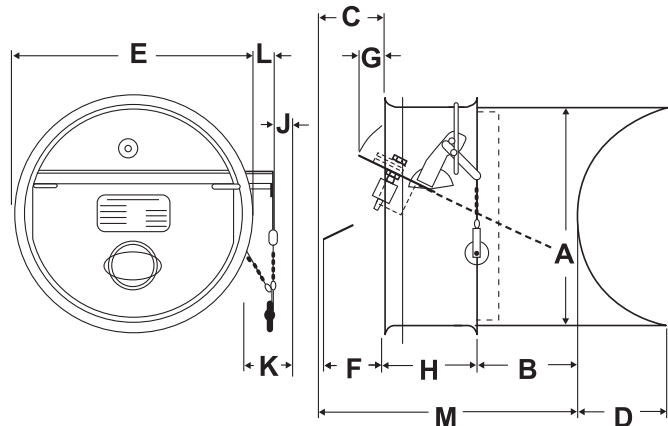
\*\* An increaser or reducer may be necessary in order for the Barometric Draft Control to adapt to off-sized pipe.

### MATERIAL GAUGES

Size	10"	12"	14"	16"	18"	20"	24"	28"	32"
RING	20	20	20	18	18	18	18	16	16
GATE	18	16	16	16	16	16	14	14	14
COLLAR	24*	24*	22*	20*	20*	18*	18*	14**	14**

\* Galvanized

\*\*HRPO with Enamel Finish



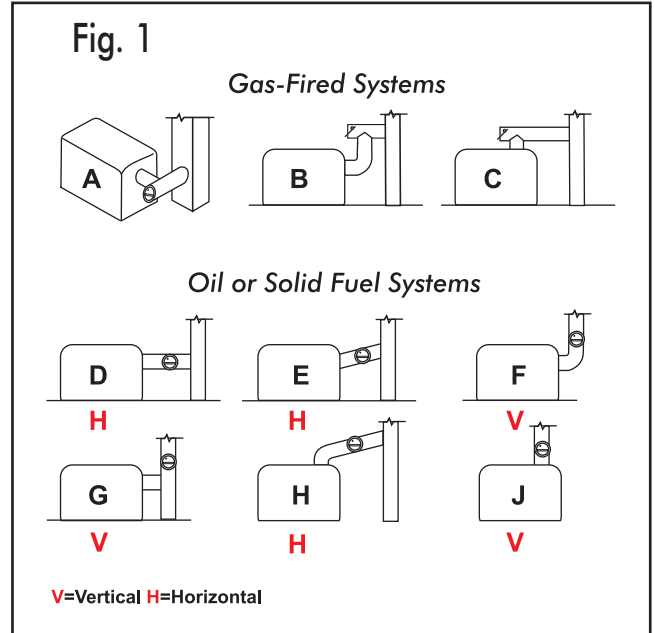
# Draft Control

## (Installation Options)

### Recommended Locations for Field Draft Controls

For gas-fired equipment, the preferred location of the control is on the bull head tee. This location provides maximum relief of downdrafts with minimum positive pressure. (See Fig. 1, Dia. A-C)

With oil or solid fuels, the bull head tee is not recommended, so locate the control as shown. (See Fig. 1, Dia. D-J) These locations are acceptable for gas units as well. Except on forced draft systems, locate the control as close as possible to the furnace or boiler, at least 12" beyond a stack switch on oil-fired units, and at least 18" from a combustible ceiling or wall.



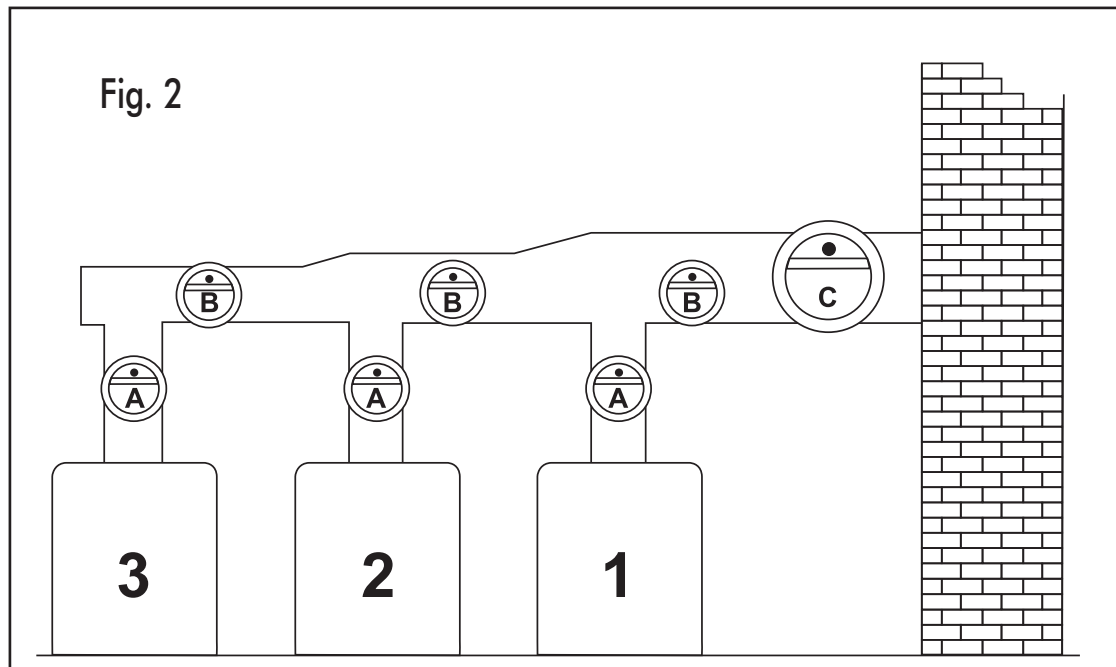
### Multiple Appliance Location Recommendations

Commercial and industrial furnaces and boilers are frequently installed in multiples. (See Fig. 2)

Use a draft control for each boiler located on the uptake between the smoke outlet and the breaching (**location A**). When this uptake is too short to permit the installation of a control, locate a separate control for each boiler on the main breaching (**location B**). If neither of these locations is possible, use a single large

control in the breaching between the chimney and the nearest boiler (**location C**).

Where several units are vented into a common breaching, the most draft-critical should vent highest in, or be placed closest to the chimney. Incinerators should generally be placed farthest from, or vented lowest in the chimney.



# Draft Control

## (Sizing the Control)

### Choosing The Right Size

Simple rules of thumb to guide size selections:

1. **For most applications**, the draft control should be the same size as the flue pipe. In other words, use a 6" control for a 6" pipe.
2. **If the flue pipe or breaching is square**, use the round equivalent. For example - on a 14" x 14" breaching use a 14" control. Little flow occurs in the corners of a square pipe, so its capacity is approximately the same as a round pipe of the same diameter.

Control Size	Nominal Cross-Sectional Area (Sq. In.)	Control Size	Nominal Cross-Sectional Area (Sq. In.)
6"	28	16"	201
7"	38	18"	255
8"	50	20"	314
9"	63	24"	452
10"	78	28"	616
12"	113	32"	804
14"	154		

3. **If the breaching is rectangular or oval**, compute its cross-sectional area and select a draft control having the same or a greater nominal cross-sectional area. A breaching 14" high x 10" wide would have a cross-sectional area of 140 square inches. From the table, select a 14" control with a cross-sectional area of 154 square inches.

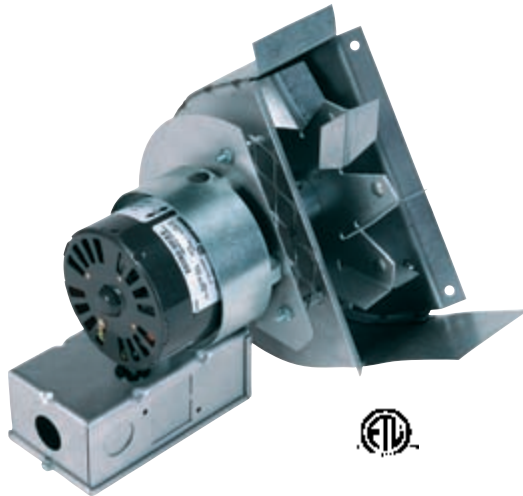
4. **Where a control larger than 32" is required**, use more than one draft control with combined cross-sectional areas equal to or greater than that of the breaching.

5. **When chimneys are of an unusual height**, or if the draft to be maintained is either very high or very low, it is advisable to deviate from the rules of thumb outlined here and refer to the sizing chart.

Sizing Chart						
Diameter of Flue or Breaching	If Chimney Height is	Use This Size Control	If Chimney Height is	Use This Size Control	If Chimney Height is	Use This Size Control
4	15' or less	4"	16' or more	5"		
5	15' or less	5"	16' or more	6"		
6	15' or less	6"	16' or more	7"		
7	15' or less	7"	16' or more	8"		
8	15' or less	8"	16' or more	9"		
9	15' or less	9"	16'-30'	10"	31' or more	12"
10	20' or less	10"	21'-40'	12"	41' or more	14"
11	20' or less	12"	21'-40'	12"	41' or more	14"
12	20' or less	12"	21'-40'	14"	41' or more	16"
13	22' or less	14"	23'-45'	16"	46' or more	18"
14	22' or less	14"	23'-45'	16"	46' or more	18"
15	22' or less	16"	23'-45'	16"	46' or more	18"
16	30' or less	16"	31'-50'	18"	51' or more	20"
17	30' or less	18"	31'-50'	20"	51' or more	20"
18	30' or less	18"	31'-50'	20"	51' or more	20"
19	30' or less	20"	31'-50'	20"	51' or more	24"
20	30' or less	20"	31'-50'	20"	51' or more	24"
21	30' or less	20"	31'-50'	24"	51' or more	24"
22	30' or less	24"	31'-50'	24"	51' or more	24"
23	35' or less	24"	36'-60'	24"	61' or more	28"
24	35' or less	24"	36'-60'	24"	61' or more	28"
25	35' or less	28"	36'-60'	28"	61' or more	28"
26	40' or less	28"	41'-70'	28"	71' or more	28"
27	40' or less	28"	41'-70'	28"	71'-100'	28"
28	50' or less	28"	51'-100'	32"	100' or more	32"
29	50' or less	28"	51'-100'	32"	100' or more	32"
30	50' or less	32"	51'-100'	32"	100' or more	32"
31	50' or less	32"	51'-100'	32"	100' or more	Two 24"
32	50' or less	32"	51'-100'	32"	100' or more	One 24" One 28"
33	50' or less	32"	51'-100'	One 32" One 20"	100' or more	One 32" One 24"
34	50' or less	32"	51'-100'	One 32" One 24"	100' or more	One 32" One 24"



# Draft Inducers



Field Draft Inducers solve the drafting problems caused by short chimneys, undersized flue pipes and negative building pressures.

Draft Inducers are designed for easy installation in a wide variety of applications, including oil or gas-fired furnaces, water heaters, and boilers. For venting single or multiple appliances, use a control kit.

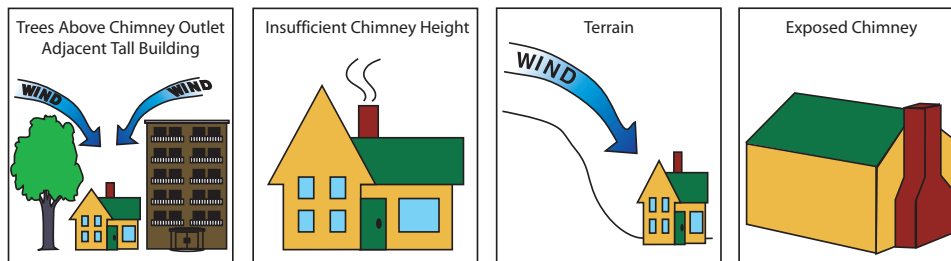
DI Paks are available for 24 volt and millivolt applications and include all controls necessary.

*Note: Pressure switch required according to NFPA code.  
Not for sidewall venting.*

## When to use a Draft Inducer

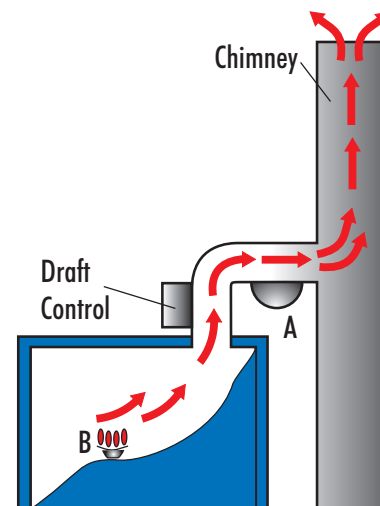
- Long horizontal vent runs
- Short chimneys
- Undersized flue pipes
- Outside exposed chimney

## Sources of Draft Problems



## How Draft Inducers Work

1. Thermostat calls for heat.
2. The Inducer control is activated. This energizes the Draft Inducer (A) which creates negative pressure or draft.
3. The draft closes the negative pressure proving switch and starts the burner (B).
4. When the thermostat is satisfied, both the burner and Draft Inducer shut down.

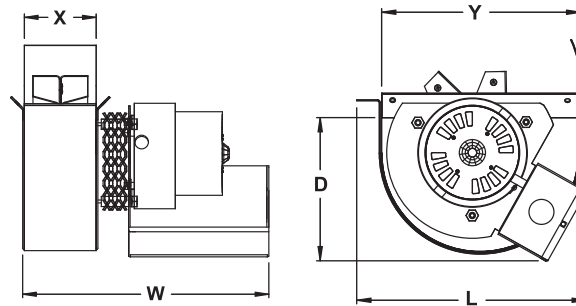


# Draft Inducers

## Sizing Chart

Gas-Firing with Draft Hood					Gas-Firing with Barometric Draft Control					Oil or Coal-Firing with Barometric Draft Control				
Input (BTU/HR)	Pipe Dia. (IN)	Draft Inducer (Model)	Static Pressure (IN W.C.)	Flow (CFM)	Input (BTU/HR)	Pipe Dia. (IN)	Draft Inducer (Model)	Static Pressure (IN W.C.)	Flow (CFM)	Max. Input per GPH	Pipe Dia. (IN)	Draft Inducer (Model)	Static Pressure (IN W.C.)	Flow (CFM)
69,000	3	DI-1	.04	47	69,000	3	DI-1	.05	36	.5	3	DI-1	.05	36
105,000	4		.04	72	105,000	4		.05	55	.7	4		.05	48
111,000	5		.06	75	118,000	5		.06	65	.9	5		.05	67
120,000	6		.05	82	123,000	6		.05	68	.95	6		.04	68
279,000	5	DI-2	.06	190	300,000	5	DI-2	.07	156	2	5	DI-2	.06	156
308,000	6	DI-2 PK24*	.07	210	340,000	6	DI-2 PK24	.08	176	2.5	6		.07	175
330,000	7	DI-2 PK24*	.11	225	364,000	7	DI-2 PKmv	.09	189	2.75	7		.08	200
353,000	8	DI-2 PKmv*	.07	240	390,000	8	DI-2 PKmv	.06	200	3	8		.05	215
522,000	8	DI-3	.18	355	683,000	8	DI-3	.15	355	5	8	DI-3	.13	355
674,000	9		.15	458	880,000	9		.13	458	6	9		.11	458
694,000	10		.12	472	908,000	10		.10	472	6.5	10		.09	472
835,000	12		.08	568	1,092,000	12		.06	568	7.5	12		.06	568
900,000	10	DI-4	.18	612	1,177,000	10	DI-4	.15	612	8.5	10	DI-4	.13	612
1,250,000	12		.20	850	1,635,000	12		.17	850	11	12		.14	850
1,400,000	14		.19	952	1,831,000	14		.16	952	13	14		.13	952
1,800,000	16		.15	1,224	2,300,000	16		.13	1,224	17	16		.10	1,224
2,000,000	14	DI-5	.14	1,224	2,350,000	14	DI-5	.12	1,224	17	14	DI-5	.10	1,224
2,200,000	16		.18	1,500	2,885,000	16		.15	1,500	21	16		.13	1,500
2,400,000	18		.10	1,632	3,140,000	18		.09	1,632	22	18		.07	1,632
2,800,000	20		.09	1,900	3,654,000	20		.08	1,900	26	20		.06	1,900

\* DI-2 PK's are designed for commercial water heater application.



## Specifications

Model	Unit Dimensions (inches)					Electrical Data					
	L	W	D	X	Y	Volts	Hz	RPM	Watts	Amps	Therm. Prot.
DI-1	8 3/2	8 1/6	5 17/32	2 5/8	7	115	60	1550	33	.43	yes
DI-2	9 1/6	9 3/6	6 7/6	3	8 3/8	115	60	1550	78	1.1	yes
DI-3	12 5/6	10 1/8	9	3 3/4	11 3/4	115	60	1725	186	3.9	yes
DI-4	12 5/6	14 3/6	9	7	11 3/4	115	60	1725	440	5.0	yes
DI-5	12 5/6	16 3/6	9	9	11 3/4	115	60	1725	560	5.7	yes

# Chimney Top Draft Inducer (For Wood/Coal Fireplaces)

The Type C Chimney Top Draft Inducer provides negative pressure to overcome the effects of wind, cold chimneys, insufficient chimney height, and downdraft. The Type C Draft Inducer is effective when venting standard fireplaces and freestanding gas fireplaces.

The Type C Draft Inducer is available in four sizes: 6", 8", 10", and 13", and is designed to provide years of trouble-free operation. It is insulated to withstand peak temperatures up to 1300° F and operates continually at 900° F without overheating the motor windings or bearings. It can operate with a standard manual on-off switch, or can be installed with the Field Controls variable speed motor control.

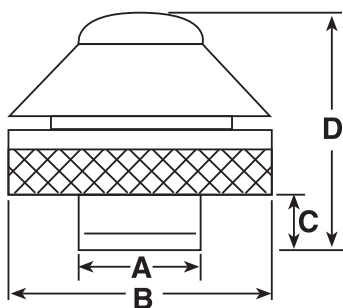


Stainless Steel Construction

## When to use a Chimney Top Draft Inducer

- To Provide Additional Air**  
 A considerable amount of air is necessary to allow for good chimney draft. In many tightly constructed homes, this air is not readily available. The addition of a Type C Draft Inducer will compensate for lack of air by supplementing the chimney's natural draft.
- To Create Draft in Cold Chimneys**  
 A chimney, especially on an outside wall, may be so cold prior to starting a fire that no draft exists. A Type C Draft Inducer switched on before starting the fire will provide draft until the chimney has become hot enough to generate a natural draft.
- To Prevent Occasional or Continuous Smoking**  
 Occasional smoking may be the result of several factors including downdraft caused by adjacent buildings, terrain or trees. Remodeling, new additions, or the addition of an exhaust fan can change air flows and result in poor draft. Or a fireplace design inadequacy, such as an undersized flue, may prevent adequate draft.

Motor Information							Speed Control		
Inducer Size	Volts	Amps	Watts	Hz	RPMs	Max. Hearth Opening	Volts	Amps	Hz
6" Type C	115	.81	57	60	1550	3.5 sq. ft.	115	6	60
8" Type C	115	.81	57	60	1550	7 sq. ft.	115	6	60
10" Type C	115	3.75	252	60	1050	12 sq. ft.	115	6	60
13" Type C	115	3.75	252	60	1050	30 sq. ft.	115	6	60



Model	Dimensions (inches)				Max. Hearth Opening
	A	B	C	D	
6" C Draft Inducer	5 5/8	16	3 1/2	14 3/4	3.5 sq. ft.
8" C Draft Inducer	7 1/8	16	3 3/8	14 3/4	7 sq. ft.
10" C Draft Inducer	10	16	3 3/8	14 3/4	12 sq. ft.
13" C Draft Inducer	13	16	3	14 3/4	30 sq. ft.



**FIELD CONTROLS**

**The Venting Solutions Company<sup>®</sup>**

[www.fieldcontrols.com](http://www.fieldcontrols.com)

Field Controls, LLC | [www.fieldcontrols.com](http://www.fieldcontrols.com) | 2630 Airport Road | Kinston, NC 28504 | TEL: 252.522.3031 | FAX: 252.522.0214

©2007 Field Controls

form# 4129

Printed in U.S.A.(CP07)