



RKKB

Parts List
29-July-2011



*This parts list is current as of the above revision date.
See <http://www.rheempartslists.net/92-42800-RKKB.pdf> for the current revision.*

Package Gas-Electric - Commercial

Table of Contents

Model Explanation	Page 3
Parts Numbers	
Panels - Miscellaneous 090-150 181 (1)	Page 4
Panels - Miscellaneous 090-150 181 (2)	Page 5
Panels - Miscellaneous 180-300 (1)	Page 6
Panels - Miscellaneous 180-300 (2)	Page 7
Electrical Group	Page 8
Fan Group	Page 9
Blower Group 090-150 181 (1)	Page 10
Blower Group 090-150 181 (2)	Page 11
Blower Group 180-300	Page 12
Coil Parts 090-150 181	Page 13
Coil Parts 180-300	Page 14
Compressor Group 090-150 181	Page 15
Compressor Group 180 - 300	Page 16
Heat Exchanger-Burner Group 90-181 15-25	Page 17
Heat Exchanger-Burner Group 180 21-35	Page 18
Heat Exchanger-Burner Group 240-300 25-40	Page 19
Gas Controls	Page 20
Accessories	Page 21
Orifice Selection Chart	Page 22
Drawings/Photographs	
Exploded View 090-150 181	Page 23
Exploded View 180 240 300	Page 24
Filter Rack Assembly 090-150 181	Page 25
Coil Assembly 090-150 181	Page 25
Filter Rack - Coil Assembly 180 240 300	Page 26
Control Board Assembly 090-150 181	Page 27
Control Board Assembly 180 240 300	Page 27
Blower Assembly 090-150 181	Page 28
Blower Assembly 180 240 300	Page 28
Heat Exchanger Assembly 090-150 181	Page 29
Heat Exchanger Assembly 180 240 300	Page 29
Notes/Disclaimer	Page 30

MODEL NUMBER EXPLANATION

R	K	K	B	-	A	0	9	0	C	L	1	5	E
1	2	3	4		5		6		7	8		9	10

- | | |
|--|---|
| <p>1 TRADENAME</p> <p>2 K - ROOFTOP COMMERCIAL</p> <p>3 EFFICIENCY DESIGNATION
K = Standard Efficiency (10 SEER)
M = High Efficiency (12 SEER)</p> <p>4 DESIGN SERIES</p> <p>5 TECHNICAL VARIATIONS</p> <p>6 COOLING CAPACITY (BTU/HR)
090 = 90,000 180/181 = 180,000
102 = 102,000 240 = 240,000
120 = 120,000 300 = 300,000
150 = 150,000</p> | <p>7 ELECTRICAL DESIGNATION
C = 208-230/3/60
D = 460/3/60
N = 380-415/3/50
P = 200-220/3/50
Y = 575/3/60</p> <p>8 DRIVE PACKAGE
L = Belt Drive
M = Belt Drive - High Static</p> <p>9 HEATING CAPACITY - (MBH)
12 = 120,000 29 = 290,000
15 = 150,000 30 = 300,000
18 = 180,000 33 = 330,000
21 = 210,000 35 = 350,000
22 = 225,000 40 = 400,000
25 = 252,000</p> <p>10 IGNITION SYSTEM
E = Electric</p> |
|--|---|

SERIAL NUMBER EXPLANATION

1	Z	A	1	2	3	4	A	A	A	F	2	6	9	9	9	9	9	9
1	2		3				4	5	6	7		8				9		

- | | |
|--|--|
| <p>1 GAS CODE</p> <p>2 COMPRESSOR IDENTIFICATION NO.</p> <p>3 IGNITION DEVICE</p> <p>4 INDUCER BLOWER</p> <p>5 HEAT EXCHANGER</p> | <p>6 TECHNOLOGY VARIATIONS</p> <p>7 PRODUCTION LOCATION
F = Fort Smith, AR</p> <p>8 DATE CODE</p> <p>9 PRODUCTION NUMBER</p> |
|--|--|

No.	Notes	MODEL TECHNICAL VARIATIONS COOLING CAPACITY	RKKB A 090/102	RKKB A 120	RKKB A 150	RKKB A 181
PANELS, MISCELLANEOUS PARTS - BASE RAILS, INSIDE PANELS						
BASE RAILS:						
A		Front	AE-90575-03	AE-90575-03	AE-90575-03	AE-90575-03
B		Right	AE-90576-03	AE-90576-03	AE-90576-03	AE-90576-03
C		Rear	AE-90575-04	AE-90575-04	AE-90575-04	AE-90575-04
D		Left	AE-90576-04	AE-90576-04	AE-90576-04	AE-90576-04
BASE PANS:						
E		Outdoor Coil Base Pan	AS-90577-03	AS-90577-03	AS-90577-03	AS-90577-05
F		Indoor Coil Base Pan	AS-90577-02	AS-90577-02	AS-90577-02	AS-90577-02
INSIDE CABINET PANEL/PIECES:						
G		Entry Plate	AE-90614-02	AE-90614-02	AE-90614-02	AE-90614-02
H		Entry Plate	AE-90614-01	AE-90614-01	AE-90614-01	AE-90614-01
J		Heat Compartment Side	AE-90598-03	AE-90598-03	AE-90598-03	AE-90598-03
K		Blower Deck	AS-90592-02	AS-90592-02	AS-90592-02	AS-90592-02
L		Wireway	AE-90718-02	AE-90718-02	AE-90718-02	AE-90718-02
M		Condenser Bulkhead	AS-90609-03	AS-90609-03	AS-90609-03	AS-90609-06
N		Tube Support Right Angle	AE-90600-02	AE-90600-02	AE-90600-02	AE-90600-02
P		Tube Support Left Angle	AE-90600-01	AE-90600-01	AE-90600-01	AE-90600-01
R		Limit Cover	AS-59152-01	AS-59152-01	AS-59152-01	AS-59152-01

No.	Notes	MODEL TECHNICAL VARIATIONS COOLING CAPACITY	RKKB A 090/102	RKKB A 120	RKKB A 150	RKKB A 181
PANELS, MISCELLANEOUS PARTS - FRONT						
FRONT:						
1		Control Box / Filter Access Panel	AS-90678-02	AS-90678-02	AS-90678-02	AS-90678-02
2		Hinge	64-42546-03	64-42546-03	64-42546-03	64-42546-03
3		Hinge	64-42546-04	64-42546-04	64-42546-04	64-42546-04
4		Left - Front Panel	AS-90620-07	AS-90620-07	AS-90620-07	AS-90620-07
5		Control Box Cover	AE-90713-02	AE-90713-02	AE-90713-02	AE-90713-02
6		Control Mounting Plate	AE-90712-02	AE-90712-02	AE-90712-02	AE-90712-02
7		Low Voltage Shield	AE-90742-02	AE-90742-02	AE-90742-02	AE-90742-02
8		Control Box Back	AS-90601-02	AS-90601-02	AS-90601-02	AS-90601-02
9		Bracket	AE-90779-02	AE-90779-02	AE-90779-02	AE-90779-02
10		Inlet Flue Hood (2)	AE-90745-01	AE-90745-01	AE-90745-01	AE-90745-01
11		Flue Hood	AS-90637-02	AS-90637-02	AS-90637-02	AS-90637-02
12a		Gas Furnace Access Panel	AS-90715-02	AS-90715-02	AS-90715-02	AS-90715-02
12b		Hinge	64-42546-04	64-42546-04	64-42546-04	64-42546-04
12c		Hinge	64-42546-03	64-42546-03	64-42546-03	64-42546-03
13		Gas Pipe Support Plate	AS-90774-01	AS-90774-01	AS-90774-01	AS-90774-01
14		Blower Access Panel	AS-90622-02	AS-90622-02	AS-90622-02	AS-90622-02
15		Right - Front Panel	AS-90620-06	AS-90620-06	AS-90620-06	AS-90620-06
16		Heat Exchanger Mounting Frame	AS-90754-01	AS-90754-01	AS-90754-01	AS-90754-01
17		Condenser Coil Access Panel-Front	AE-90631-03	AE-90631-03	AE-90631-04	AE-90631-04
18		Front Corner Post	AE-90701-02	AE-90701-02	AE-90701-02	AE-90701-02

No.	Notes	MODEL TECHNICAL VARIATION COOLING CAPACITY	RKKB A 090	RKKB A 102	RKKB A 120/150	RKKB A 181
PANELS, MISCELLANEOUS PARTS - RIGHT, LEFT, AND TOP						
RIGHT:					N/A	N/A
19		Air Stop	AE-90760-01	AE-90760-01	AS-90789-01	AS-90789-01
20		Louvered Panel	AS-90789-01	AS-90789-01		
REAR						
21		Rear Corner Post	AE-90702-03	AE-90702-03	AE-90702-03	AE-90702-03
22		Condenser Coil Access Panel - Rear	AE-90631-03	AE-90631-03	AS-90683-04	AS-90683-04
23		Rear Panel	AS-90618-02	AS-90618-02	AS-90618-02	AS-90618-02
24		Supply Cover	AS-90626-02	AS-90626-02	AS-90626-02	AS-90626-02
25		Return Cover	AS-90628-02	AS-90628-02	AS-90628-02	AS-90628-02
LEFT:						
26		Upper Left Panel	AS-90624-03	AS-90624-03	AS-90624-03	AS-90624-03
27		Lower Left Panel	AS-90624-04	AS-90624-04	AS-90624-04	AS-90624-04
28		Left Corner Panel	AS-90755-02	AS-90755-02	AS-90755-02	AS-90755-02
29		Receptacle Plate-Inside Panel	AE-90756-02	AE-90756-02	AE-90756-02	AE-90756-02
30		Disconnect Plate-Install Panel	AE-90756-03	AE-90756-03	AE-90756-03	AE-90756-03
31		Button Plug (2)	45-22980-06	45-22980-06	45-22980-06	45-22980-06
32		Button Plug	45-22980-05	45-22980-05	45-22980-05	45-22980-05
TOP:						
33		Top Panel	AS-90616-02	AS-90616-02	AS-90616-02	AS-90616-02
34		Condenser Top Panel	AS-90703-03	AS-90703-02	AS-90703-02	AS-90703-02
35		Venturi	AE-90632-01 (1)	AE-90632-01 (1)	AE-90632-01 (2)	AE-90632-01 (2)
36		Wire Grille	95-42507-01 (1)	95-42507-01 (1)	95-42507-01 (2)	95-42507-01 (2)

No.	Notes	MODEL TECHNICAL VARIATIONS COOLING CAPACITY	RKKB A 180	RKKB A 240	RKKB A 300
PANELS, MISCELLANEOUS PARTS - BASE RAILS, INSIDE CABINET					
BASE RAILS:					
A		Front	AS-90827-01	AS-90827-01	AS-90827-01
B		Right	AE-90576-03	AE-90576-03	AE-90576-03
C		Rear	AS-90827-01	AS-90827-01	AS-90827-01
D		Left	AE-90576-04	AE-90576-04	AE-90576-04
BASE PANS:					
E		Outdoor Base Pan	AS-90577-06	AS-90577-06	AS-90577-06
F		Indoor Coil Base Pan - Return Air	AS-90578-04	AS-90578-04	AS-90578-04
G		Indoor Coil Base Pan - Supply Air	AS-90578-03	AS-90578-03	AS-90578-03
INSIDE CABINET PANEL/PIECES:					
H		Entry Plate (2)	AE-90614-01	AE-90614-01	AE-90614-01
J		Heat Compartment Side	AE-90598-03	AE-90598-03	AE-90598-03
K		Blower Deck	AS-90592-05	AS-90592-05	AS-90592-05
L		Wireway	AE-90718-03	AE-90718-03	AE-90718-03
M		Condenser Bulkhead	AS-90609-08	AS-90609-08	AS-90609-08
N		Tube Support Right Angle (2)	AE-90600-02	AE-90600-02	AE-90600-02
R		Limit Cover	AS-59152-01	AS-59152-01	AS-59152-01
S		Air Stop - Outdoor Coil- Front	AE-90706-08	AE-90706-08	AE-90706-08
T		Air Stop - Outdoor Coil- Rear	AE-90706-07	AE-90706-07	AE-90706-07
U		Coil Mounting Angle (2)	AE-90706-05	AE-90706-05	AE-90706-05
W		Outdoor Coil Divider Panel	AE-90735-03	AE-90735-03	AE-90735-03
X		Coil Support Brace	AE-90706-01	AE-90706-01	AE-90706-01
Y		Condenser Coil- Air Stop Rear	AE-90753-04	AE-90753-04	AE-90753-04
Z		Condenser Coil- Air Stop Front	AE-90753-03	AE-90753-03	AE-90753-03

No.	Notes	MODEL TECHNICAL VARIATIONS COOLING CAPACITY	RKKB A 180	RKKB A 240	RKKB A 300
PANELS, MISCELLANEOUS PARTS - FRONT AND RIGHT SIDES					
1		Control Box / Filter Access Panel	AS-90678-03	AS-90678-03	AS-90678-03
2		Hinge	64-42546-03	64-42546-03	64-42546-03
3		Hinge	64-42546-04	64-42546-04	64-42546-04
4		Left - Front Panel	AS-90620-11	AS-90620-11	AS-90620-11
5		Control Box Cover	AE-90713-03	AE-90713-03	AE-90713-03
6		Control Mounting Plate	AE-90712-03	AE-90712-03	AE-90712-03
7		Low Voltage Shield	AE-90742-04	AE-90742-04	AE-90742-04
8		Control Box Back	AS-90601-03	AS-90601-03	AS-90601-03
9		Bracket	AE-90779-02	AE-90779-02	AE-90779-02
10		Inlet Flue Hood (4)	AE-90745-01	AE-90745-01	AE-90745-01
11		Flue Hood (2)	AS-90637-02	AS-90637-02	AS-90637-02
12a		Gas Furnace Access Panel	See Heat Exchanger / Burner Group		
12b		Hinge (2)	64-42546-03	64-42546-03	64-42546-03
12c		Hinge (2)	64-42546-04	64-42546-04	64-42546-04
13		Gas Pipe Support Plate	AS-90774-03	AS-90774-03	AS-90774-03
14		Blower Access Panel	AS-90622-03	AS-90622-03	AS-90622-03
15		Right - Front Panel	AS-90620-10	AS-90620-10	AS-90620-10
16		Heat Exchanger Mounting Frame	AS-90754-03	AS-90754-03	AS-90754-03
17		Louvered Panel - Large	AE-90726-06	AE-90726-06	AE-90726-06
18		Louvered Panel - Small	AE-90726-07	AE-90726-07	AE-90726-07
19		Front/ Rear Post - Middle	AE-90732-03	AE-90732-03	AE-90732-03
20		Condenser Access Panel	AE-90734-06	AE-90734-05	AE-90734-05
21		Front/ Rear Corner Post	AE-90701-03	AE-90701-03	AE-90701-03

No.	Notes	MODEL TECHNICAL VARIATIONS COOLING CAPACITY	RKKB A 180	RKKB A 240	RKKB A 300
PANELS, MISCELLANEOUS PARTS - TOP, REAR AND LEFT SIDES					
REAR:					
17		Louvered Panel - Large	AE-90726-06	AE-90726-06	AE-90726-06
18		Louvered Panel - Small	AE-90726-07	AE-90726-07	AE-90726-07
19		Front/ Rear Post - Middle	AE-90732-03	AE-90732-03	AE-90732-03
21		Front/ Rear Corner Post	AE-90701-03	AE-90701-03	AE-90701-03
22		Right Rear Panel	AS-90618-04	AS-90618-04	AS-90618-04
23		Left Rear Panel	AS-90618-03	AS-90618-03	AS-90618-03
24		Supply Cover	AS-90628-03	AS-90628-03	AS-90628-03
25		Return Cover	AS-90628-03	AS-90628-03	AS-90628-03
LEFT:					
26		Upper Left Panel	AS-90624-06	AS-90624-06	AS-90624-06
27		Lower Left Panel	AS-90624-04	AS-90624-04	AS-90624-04
28		Left Corner Panel	AS-90755-03	AS-90755-03	AS-90755-03
		Bracket (2)	AE-90779-01	AE-90779-01	AE-90779-01
		Gasket for receptacle plate	68-42514-08	68-42514-08	68-42514-08
		Gasket for disconnect plate	68-42514-09	68-42514-09	68-42514-09
29		Plate - Install inside Panel - Receptacle	AE-90756-02	AE-90756-02	AE-90756-02
30		Plate - Install inside Panel - Disconnect	AE-90756-03	AE-90756-03	AE-90756-03
TOP:					
31		Outdoor Top Front Panel	AS-90633-06	AS-90633-06	AS-90633-06
32		Outdoor Top Rear Panel	AS-90633-05	AS-90633-05	AS-90633-05
33		Outdoor Top Support	AE-90704-04	AE-90704-04	AE-90704-04
34		Top Panel	AS-90616-03	AS-90616-03	AS-90616-03
35		Venturi (4)	AE-90632-01	AE-90632-01	AE-90632-01
36		Wire Grille (4)	95-42507-01	95-42507-01	95-42507-01

No.	Notes	MODEL TECHNICAL VARIATION COOLING CAPACITY ELECTRICAL DESIGNATION	RKKB A 090-150/181 C/P	RKKB A 090-150 D	RKKB A 090-150 N	RKKB A 181 D	RKKB A 181 N	RKKB A 090-150/181 Y
ELECTRIC GROUP								
CONTROL BOX COMPONENTS:								
6	Stk	Control Box Mounting Panel	AE-90712-02	AE-90712-02	AE-90712-02	AE-90712-02	AE-90712-02	AE-90712-02
56		Integrated Furnace Control	See Gas Controls					
57	Stk	Transformer (Before F2301)	46-42515-01	46-42515-01	46-42515-01	46-42515-02	46-42515-03	46-42515-01
57	Stk	Transformer (After F2301)	46-42515-01	46-42515-02	46-42515-03	46-42515-02	46-42515-03	46-42515-01
58		Double Row Terminal Block	45-42548-02	45-42548-02	45-42548-02	45-42548-02	45-42548-02	45-42548-02
59	Stk	Blower Contactor	42-25103-02	42-25103-02	42-25103-02	42-25103-02	42-25103-02	42-25103-02
60		Run Capacitor	See Fan Group					
Low Voltage Terminal Block - 7 terminal block pieces are used in this application. The replacement 45-40361-66 is a kit that includes 6 terminal block pieces and 1 end piece. Order the amount of kits based on the replacement needed.								
61		Low Voltage Terminal Block	45-40361-66	45-40361-66	45-40361-66	45-40361-66	45-40361-66	45-40361-66
62	Stk	Compressor Contactor (2)	42-25103-01	42-25103-01	42-25103-01	42-25103-01	42-25103-01	42-25103-01
63	Stk	Step Down Transformer (2) (Before F2301)	N/A	46-23585-01	46-23585-02	N/A	N/A	46-23585-01
63	Stk	Step Down Transformer (2) (After F2301)	N/A	N/A	N/A	N/A	N/A	46-23585-01
		Induced Draft Relay (2) (After F2301)	N/A	42-19736-04	42-19736-04	42-19736-04	42-19736-04	N/A
		Wiring Harness - Control (Before F0499)	45-42522-23	45-42522-23	45-42522-23	45-42522-23	45-42522-23	45-42522-23
		Wiring Harness - Control (After F0499)	45-42522-11	45-42522-11	45-42522-11	45-42522-11	45-42522-11	45-42522-11
		Wiring Harness - Outdoor Fan	See Fan Group					
		Wiring Harness - Economizer	45-42522-20	45-42522-20	45-42522-20	45-42522-20	45-42522-20	45-42522-20
		Wiring Harness - Compressor	See Compressor Group					
		Wiring Harness - Induced Draft Blower	See Heat Exchanger Group					
		Bypass Plug - Economizer 12 Pin	AS-61997-55	AS-61997-55	AS-61997-55	AS-61997-55	AS-61997-55	AS-61997-55
		Induced Draft Relay (2) (After F2301)	N/A	42-19736-04	42-19736-04	42-19736-04	42-19736-04	N/A

No.	Notes	MODEL TECHNICAL VARIATION COOLING CAPACITY ELECTRICAL DESIGNATION	RKKB A 180/240/300 C	RKKB A 180/240/300 D	RKKB A 180/240/300 N	RKKB A 180/240/300 P	RKKB A 180/240/300 Y	
ELECTRIC GROUP								
56		Integrated Furnace Control	See Gas Controls					
62a	Stk	Compressor Contactor - Label CC 1	42-42139-08	42-42139-08	42-42139-08	42-42139-08	42-42139-08	
62b	Stk	Compressor Contactor - Label CC 2	42-42139-08	42-42139-08	42-42139-08	42-42139-08	42-42139-08	
62c	Stk	Compressor Contactor - Label CC 3	42-42139-08	42-42139-08	42-42139-08	42-42139-08	42-42139-08	
62d	Stk	Compressor Contactor - Label CC 4	42-42139-08	42-42139-08	42-42139-08	42-42139-08	42-42139-08	
60a		Run Capacitor - Label RC 1	See Fan Group					
60b		Run Capacitor - Label RC 2	See Fan Group					
60c		Run Capacitor - Label RC 3	See Fan Group					
60d		Run Capacitor - Label RC 4	See Fan Group					
38		Terminal Block - Label TB 1	45-21134-04	45-21134-04	45-21134-04	45-21134-04	45-21134-04	
Note: Low Voltage Terminal Block - 7 terminal block pieces are used in this application. The replacement 45-40361-66 is a kit that includes 6 terminal block pieces and 1 end piece. Order the amount of kits based on the replacement need.								
61		Low Voltage Terminal Block - Label TB 2	45-40361-66	45-40361-66	45-40361-66	45-40361-66	45-40361-66	
58a		Double Row Terminal Block - Label TB 4	45-42548-02	45-42548-02	45-42548-02	45-42548-02	45-42548-02	
58b		Double Row Terminal Block - Label TB 5	45-42548-02	45-42548-02	45-42548-02	45-42548-02	45-42548-02	
		Wiring Harness - Outdoor Fan	See Fan Group					
		Wiring Harness - Economizer	45-42522-43	45-42522-43	45-42522-43	45-42522-43	45-42522-43	
		Wiring Harness - Compressor	See Compressor Group					
		Wiring Harness - Induced Draft Blower	See Heat Exchanger Group					
		Bypass Plug - Economizer 12 Pin	AS-61997-55	AS-61997-55	AS-61997-55	AS-61997-55	AS-61997-55	
83		Pressure Switch	Heat Exchanger / Burner Group					
85		Main Limit	Heat Exchanger / Burner Group					

Note: The following date code changes are related to the change in the Induced Draft Blower Motor in the Heating Group.

Date Code before F1901								
57	Stk	Transformer - Label CT	46-42515-04	46-42515-04	46-42515-04	46-42515-04	46-42515-04	
63a	Stk	Transformer Label PT 1	N/A	46-23585-01	46-23585-01	N/A	46-23585-01	
63b	Stk	Transformer Label PT 2	N/A	46-23585-01	46-23585-01	N/A	46-23585-01	
63c	Stk	Transformer Label PT 3	N/A	46-23585-01	46-23585-01	N/A	46-23585-01	
63d	Stk	Transformer Label PT 4	N/A	46-23585-01	46-23585-01	N/A	46-23585-01	
59	Stk	Blower Contactor - Label BC	42-25103-02	42-22641-03	42-22641-03	42-25103-02	42-25103-02	
Date Code after F1901								
57	Stk	Transformer - Label CT	46-42515-04	46-42515-05	46-42515-06	46-42515-04	46-42515-04	
63a		Transformer Label PT 1	N/A	N/A	N/A	N/A	46-23585-01	
63b		Transformer Label PT 2	N/A	N/A	N/A	N/A	46-23585-01	
63c		Transformer Label PT 3	N/A	N/A	N/A	N/A	46-23585-01	
63d		Transformer Label PT 4	N/A	N/A	N/A	N/A	46-23585-01	
	Stk	Induced Draft Relay - Label IDR 1	N/A	42-19736-04	42-19736-04	N/A	N/A	
	Stk	Induced Draft Relay - Label IDR 2	N/A	42-19736-04	42-19736-04	N/A	N/A	
		Terminal Block - Label TB 3	N/A	45-42548-02	45-42548-02	N/A	N/A	
59	Stk	Blower Contactor - Label BC	42-25103-02	42-25103-01	42-25103-01	42-25103-02	42-25103-02	

No.	Notes	MODEL TECHNICAL VARIATION COOLING CAPACITY ELECTRICAL DESIGNATION	RKKB A 090 C	RKKB A 090 D/N	RKKB A 090 Y	RKKB A 102 C	RKKB A 102 D	RKKB A 102 Y
FAN GROUP								
52	Stk	Fan Motor	51-42534-01 (1)	51-42534-02 (1)	51-42534-03 (1)	51-42534-01 (2)	51-42534-02 (2)	51-42534-03 (2)
		Wiring Harness - Outdoor Fan 1	45-42522-12	45-42522-12	45-42522-12	45-42522-12	45-42522-12	45-42522-12
		Wiring Harness - Outdoor Fan 2	N/A	N/A	N/A	45-42522-14	45-42522-14	45-42522-14
53	Stk	Fan Blade	70-42502-01 (1)	70-42502-01 (1)	70-42502-01 (1)	70-42502-01 (2)	70-42502-01 (2)	70-42502-01 (2)
54	Stk	Plastic Cap for Fan Motor	56-17070-01 (1)	56-17070-01 (1)	56-17070-01 (1)	56-17070-01 (2)	56-17070-01 (2)	56-17070-01 (2)
55	Stk	Motor Mount - Outdoor Fan	70-42504-01 (1)	70-42504-01 (1)	70-42504-01 (1)	70-42504-01 (2)	70-42504-01 (2)	70-42504-01 (2)
60a, b	Stk	Run Capacitor	43-100496-12 (1)	43-100496-12 (1)	43-100496-12 (1)	43-100496-12 (2)	43-100496-12 (2)	43-100496-12 (2)

No.	Notes	MODEL TECHNICAL VARIATION COOLING CAPACITY ELECTRICAL DESIGNATION	RKKB A 120 C	RKKB A 120 D/N	RKKB A 120 Y	RKKB A 150 C	RKKB A 150 D/N	RKKB A 150 Y
FAN GROUP								
52	Stk	Fan Motor	51-42534-01 (2)	51-42534-02 (2)	51-42534-03 (2)	51-42534-01 (2)	51-42534-02 (2)	51-42534-03 (2)
		Wiring Harness - Outdoor Fan 1	45-42522-12	45-42522-12	45-42522-12	45-42522-26	45-42522-26	45-42522-26
		Wiring Harness - Outdoor Fan 2	45-42522-14	45-42522-14	45-42522-14	45-42522-28	45-42522-28	45-42522-28
53	Stk	Fan Blade	70-42502-01 (2)	70-42502-01 (2)	70-42502-01 (2)	70-42502-01 (2)	70-42502-01 (2)	70-42502-01 (2)
54	Stk	Plastic Cap for Fan Motor	56-17070-01 (2)	56-17070-01 (2)	56-17070-01 (2)	56-17070-01 (2)	56-17070-01 (2)	56-17070-01 (2)
55	Stk	Motor Mount - Outdoor Fan	70-42504-01 (2)	70-42504-01 (2)	70-42504-01 (2)	70-42504-01 (2)	70-42504-01 (2)	70-42504-01 (2)
60a, b	Stk	Run Capacitor	43-100496-12 (2)	43-100496-12 (2)	43-100496-12 (2)	43-100496-12 (2)	43-100496-12 (2)	43-100496-12 (2)

No.	Notes	MODEL TECHNICAL VARIATION COOLING CAPACITY ELECTRICAL DESIGNATION	RKKB A 181 C/P	RKKB A 181 D/N	RKKB A 181 Y			
FAN GROUP								
52	Stk	Fan Motor	51-42534-16 (2)	51-42534-17 (2)	51-42534-18 (2)			
		Wiring Harness - Outdoor Fan 1	45-42522-26	45-42522-26	45-42522-26			
		Wiring Harness - Outdoor Fan 2	45-42522-28	45-42522-28	45-42522-28			
53	Stk	Fan Blade	70-42497-03 (2)	70-42497-03 (2)	70-42497-03 (2)			
54	Stk	Plastic Cap for Fan Motor	56-17070-01 (2)	56-17070-01 (2)	56-17070-01 (2)			
55		Motor Mount - Outdoor Fan	70-42504-01 (2)	70-42504-01 (2)	70-42504-01 (2)			
60a, b	Stk	Run Capacitor	43-100496-12 (2)	43-100496-12 (2)	43-100496-12 (2)			

No.	Notes	MODEL TECHNICAL VARIATION COOLING CAPACITY ELECTRICAL DESIGNATION	RKKB A 180/240 C/P	RKKB A 180/240 D/N	RKKB A 180/240 Y	RKKB A 300 C	RKKB A 300 D/N	RKKB A 300 Y
FAN GROUP								
52	Stk	Fan Motor (4)	51-42534-01	51-42534-02	51-42534-03	51-42534-13	51-42534-14	51-42534-15
53	Stk	Fan Blade (4)	70-42502-01	70-42502-01	70-42502-01	70-42497-02	70-42497-02	70-42497-02
		Wiring Harness - Outdoor Fan 1	45-42522-33	45-42522-33	45-42522-33	45-42522-33	45-42522-33	45-42522-33
		Wiring Harness - Outdoor Fan 2	45-42522-34	45-42522-34	45-42522-34	45-42522-34	45-42522-34	45-42522-34
		Wiring Harness - Outdoor Fan 3	45-42522-35	45-42522-35	45-42522-35	45-42522-35	45-42522-35	45-42522-35
		Wiring Harness - Outdoor Fan 4	45-42522-36	45-42522-36	45-42522-36	45-42522-36	45-42522-36	45-42522-36
54	Stk	Motor Fan Cap (4)	56-17070-01	56-17070-01	56-17070-01	56-17070-01	56-17070-01	56-17070-01
55		Motor Mount - Outdoor Fan (4)	70-42504-01	70-42504-01	70-42504-01	70-42504-01	70-42504-01	70-42504-01
60	Stk	Run Capacitor (4)	43-100496-12	43-100496-12	43-100496-12	43-100496-17	43-100496-12	43-100496-48

No.	Notes	MODEL TECHNICAL VARIATION COOLING CAPACITY DRIVE PACKAGE	RKKB	RKKB	RKKB	RKKB	RKKB	
			A 090 L	A 102 L	A 120 L	A 150 L	A 181 L	
BLOWER ASSEMBLY GROUP - BELT DRIVE								
64	Stk	Blower Assembly (Less Motor, Belt and Pulley)	AS-90757-01	AS-90757-01	AS-90757-01	AS-90757-01	AS-90757-01	
		Scroll Side	Can not be ordered individually, order - AS-90757-01					
		Scroll Side	Can not be ordered individually, order - AS-90757-01					
		Scroll Wrap	Can not be ordered individually, order - AS-90757-01					
65	Stk	Blower Wheel	70-42540-02	70-42540-02	70-42540-02	70-42540-02	70-42540-02	
66		Bearing Frame Tri-Arm (2)	70-42540-05	70-42540-05	70-42540-05	70-42540-05	70-42540-05	
67	Stk	Bearing with Bearing Lock (2)	70-42540-06	70-42540-06	70-42540-06	70-42540-06	70-42540-06	
68	Stk	Blower Shaft	70-42540-04	70-42540-04	70-42540-04	70-42540-04	70-42540-04	
69		Blower Mounting Angles (2)	AE-90708-01	AE-90708-01	AE-90708-01	AE-90708-01	AE-90708-01	
70		Motor Mount	AE-90710-02	AE-90710-02	AE-90710-02	AE-90710-02	AE-90710-02	

No.	Notes	MODEL TECHNICAL VARIATION COOLING CAPACITY ELECTRICAL DESIGNATION DRIVE PACKAGE	RKKB	RKKB	RKKB	RKKB	RKKB
			A 090 C/D L	A 102 C/D L	A 120 C/D L	A 150 C/D L	A 181 C/D L
MOTOR, BELT AND VARIABLE PITCH SHEAVE FOR BLOWER ASSEMBLY BELT DRIVE							
71	Stk	Blower Motor	51-42536-01	51-42536-01	51-42536-01	51-42537-01	51-42498-07
72	Stk	Variable Sheave	71-42538-02	71-42538-02	71-42538-02	71-42538-02	71-40427-31
73	Stk	Belt	71-40438-27	71-40438-27	71-40438-27	71-40438-23	71-40438-24
74	Stk	Fixed Sheave w/Bushing	71-100774-02	71-100774-02	71-100774-02	71-100774-04	71-100774-04
	Stk	Bushing	71-100773-01	71-100773-01	71-100773-01	71-100773-01	71-100773-01

No.	Notes	MODEL TECHNICAL VARIATION COOLING CAPACITY ELECTRICAL DESIGNATION DRIVE PACKAGE	RKKB	RKKB	RKKB	RKKB	RKKB
			A 090 N/P L	A 102 N/P L	A 120 N/P L	A 150 N/P L	A 181 N/P L
MOTOR, BELT AND VARIABLE PITCH SHEAVE FOR BLOWER ASSEMBLY BELT DRIVE							
71	Stk	Blower Motor	51-42537-01	51-42537-01	51-42537-01	51-42498-07	51-42498-07
72	Stk	Variable Sheave	71-42538-02	71-42538-02	71-42538-02	71-40427-31	71-40427-31
73	Stk	Belt	71-40438-27	71-40438-27	71-40438-27	71-40438-23	71-40438-24
74	Stk	Fixed Sheave w/Bushing	71-100774-02	71-100774-02	71-100774-02	71-100774-04	71-100774-04
	Stk	Bushing	71-100773-01	71-100773-01	71-100773-01	71-100773-01	71-100773-01

No.	Notes	MODEL TECHNICAL VARIATION COOLING CAPACITY ELECTRICAL DESIGNATION DRIVE PACKAGE	RKKB	RKKB	RKKB	RKKB	RKKB
			A 090 Y L	A 102 Y L	A 120 Y L	A 150 Y L	A 181 Y L
MOTOR, BELT AND VARIABLE PITCH SHEAVE FOR BLOWER ASSEMBLY BELT DRIVE							
71	Stk	Blower Motor	51-42536-02	51-42536-02	51-42536-02	51-42537-02	51-42574-01
72	Stk	Variable Sheave	71-42538-02	71-42538-02	71-42538-02	71-42538-02	71-40427-31
73	Stk	Belt	71-40438-27	71-40438-27	71-40438-27	71-40438-23	71-40438-24
74	Stk	Fixed Sheave w/Bushing	71-100774-02	71-100774-02	71-100774-02	71-100774-04	71-100774-04
	Stk	Bushing	71-100773-01	71-100773-01	71-100773-01	71-100773-01	71-100773-01

No.	Notes	MODEL TECHNICAL VARIATION COOLING CAPACITY DRIVE PACKAGE	RKKB	RKKB	RKKB	RKKB	RKKB	
			A 090 M	A 102 M	A 120 M	A 150 M	A 181 M	
BLOWER ASSEMBLY GROUP - BELT DRIVE								
64	Stk	Blower Assembly (Less Motor, Belt and Pulley)	AS-90757-01	AS-90757-01	AS-90757-01	AS-90757-01	AS-90757-01	
		Scroll Side	Can not be ordered individually, order - AS-90757-01					
		Scroll Side	Can not be ordered individually, order - AS-90757-01					
		Scroll Wrap	Can not be ordered individually, order - AS-90757-01					
65	Stk	Blower Wheel	70-42540-02	70-42540-02	70-42540-02	70-42540-02	70-42540-02	
66		Bearing Frame Tri-Arm (2)	70-42540-05	70-42540-05	70-42540-05	70-42540-05	70-42540-05	
67	Stk	Bearing w/Bearing Lock (2)	70-42540-06	70-42540-06	70-42540-06	70-42540-06	70-42540-06	
68	Stk	Blower Shaft	70-42540-04	70-42540-04	70-42540-04	70-42540-04	70-42540-04	
69		Blower Mounting Angles (2)	AE-90708-01	AE-90708-01	AE-90708-01	AE-90708-01	AE-90708-01	
70		Motor Mount	AE-90710-02	AE-90710-02	AE-90710-02	AE-90710-02	AE-90710-02	

No.	Notes	MODEL TECHNICAL VARIATION COOLING CAPACITY ELECTRICAL DESIGNATION DRIVE PACKAGE	RKKB	RKKB	RKKB	RKKB	RKKB
			A 090 C M	A 102 C M	A 120 C M	A 150 C M	A 181 C M
MOTOR, BELT AND VARIABLE PITCH SHEAVE FOR BLOWER ASSEMBLY BELT DRIVE							
71	Stk	Blower Motor	51-42537-01	51-42537-01	51-42537-01	51-42498-07	51-42498-07
72	Stk	Variable Sheave	71-42538-02	71-42538-02	71-42538-02	71-40427-11	71-42538-03
73	Stk	Belt	71-40438-23	71-40438-23	71-40438-23	71-40438-31	71-40438-25
74	Stk	Fixed Sheave includes Bushing	71-100774-04	71-100774-04	71-100774-04	71-26254-06	71-100774-04
	Stk	Bushing	71-100773-01	71-100773-01	71-100773-01	71-100773-01	71-100773-01

No.	Notes	MODEL TECHNICAL VARIATION COOLING CAPACITY ELECTRICAL DESIGNATION DRIVE PACKAGE	RKKB	RKKB	RKKB	RKKB	RKKB
			A 090 D M	A 102 D M	A 120 D M	A 150 D M	A 181 D M
MOTOR, BELT AND VARIABLE PITCH SHEAVE FOR BLOWER ASSEMBLY BELT DRIVE							
71	Stk	Blower Motor	51-42537-01	51-42537-01	51-42537-01	51-42498-07	51-42498-07
72	Stk	Variable Sheave	71-42538-02	71-42538-02	71-42538-02	71-42538-03	71-42538-03
73	Stk	Belt	71-40438-23	71-40438-23	71-40438-23	71-40438-25	71-40438-25
74	Stk	Fixed Sheave includes Bushing	71-100774-04	71-100774-04	71-100774-04	71-100774-04	71-100774-04
	Stk	Bushing	71-100773-01	71-100773-01	71-100773-01	71-100773-01	71-100773-01

No.	Notes	MODEL TECHNICAL VARIATION COOLING CAPACITY ELECTRICAL DESIGNATION DRIVE PACKAGE	RKKB	RKKB	RKKB	RKKB	RKKB
			A 090 N/P M	A 102 N/P M	A 120 N/P M	A 150 N/P M	A 181 N/P M
MOTOR, BELT AND VARIABLE PITCH SHEAVE FOR BLOWER ASSEMBLY BELT DRIVE							
71	Stk	Blower Motor	51-42537-01	51-42537-01	51-42537-01	51-42498-07	51-42498-07
72	Stk	Variable Sheave	71-42538-02	71-42538-02	71-42538-02	71-42538-03	71-42538-03
73	Stk	Belt	71-40438-23	71-40438-23	71-40438-23	71-40438-25	71-40438-25
74	Stk	Fixed Sheave includes Bushing	71-100774-04	71-100774-04	71-100774-04	71-100774-04	71-100774-04
	Stk	Bushing	71-100773-01	71-100773-01	71-100773-01	71-100773-01	71-100773-01

No.	Notes	MODEL TECHNICAL VARIATION COOLING CAPACITY ELECTRICAL DESIGNATION DRIVE PACKAGE	RKKB	RKKB	RKKB	RKKB	RKKB
			A 090 Y M	A 102 Y M	A 120 Y M	A 150 Y M	A 181 Y M
MOTOR, BELT AND VARIABLE PITCH SHEAVE FOR BLOWER ASSEMBLY BELT DRIVE							
71	Stk	Blower Motor	51-42537-02	51-42537-02	51-42537-02	51-42574-01	51-42574-01
72	Stk	Variable Sheave	71-42538-02	71-42538-02	71-42538-02	71-42538-03	71-42538-03
73	Stk	Belt	71-40438-23	71-40438-23	71-40438-23	71-40438-25	71-40438-25
74	Stk	Fixed Sheave includes Bushing	71-100774-04	71-100774-04	71-100774-04	71-100774-04	71-100774-04
	Stk	Bushing	71-100773-01	71-100773-01	71-100773-01	71-100773-01	71-100773-01

No.	Notes	MODEL TECHNICAL VARIATION COOLING CAPACITY DRIVE PACKAGE	RKKB- A 180 L/M	RKKB- A 240 L/M	RKKB- A 300 L/M	
BLOWER ASSEMBLY GROUP - BELT DRIVE						
64	Stk	Blower Assembly (2)	AS-90757-03	AS-90757-03	AS-90757-03	
		Scroll Side	Can not be ordered individually			
		Scroll Side	Can not be ordered individually			
		Scroll Wrap	Can not be ordered individually			
65	Stk	Blower Wheel	70-42564-02	70-42564-02	70-42564-02	
66	Stk	Bearing Frame Tri-Arm (2)	70-42284-04	70-42284-04	70-42284-04	
67	Stk	Bearing with Bearing Lock (4)	70-42540-06	70-42540-06	70-42540-06	
68	Stk	Blower Shaft	70-42564-03	70-42564-03	70-42564-03	
69		Blower Mounting Angles (4)	AE-90708-02	AE-90708-02	AE-90708-02	
70		Motor Mount	AE-90710-03	AE-90710-03	AE-90710-03	
94		Blower Connector (3)	AE-90798-01	AE-90798-01	AE-90798-01	

No.	Notes	MODEL TECHNICAL VARIATION COOLING CAPACITY ELECTRICAL DESIGNATION DRIVE PACKAGE	RKKB A 180 C/D/N/P L	RKKB A 180 Y L	RKKB A 180 C/D/N/P M	RKKB A 180 Y M
MOTOR, BELT AND VARIABLE PITCH SHEAVE FOR BLOWER ASSEMBLY BELT DRIVE						
71	Stk	Blower Motor	51-42537-01	51-42537-02	51-42498-07	51-42574-01
72	Stk	Variable Sheave	71-40427-27	71-40427-27	71-40427-31	71-40427-31
73	Stk	Belt	71-40438-33	71-40438-33	71-40438-32	71-40438-32
74	Stk	Fixed Sheave includes Bushing	71-100774-02	71-100774-02	71-100774-01	71-100774-01
	Stk	Bushing	71-100773-01	71-100773-01	71-100773-01	71-100773-01

No.	Notes	MODEL TECHNICAL VARIATION COOLING CAPACITY ELECTRICAL DESIGNATION DRIVE PACKAGE	RKKB A 240 C/D/N/P L	RKKB A 240 Y L	RKKB A 240 C/D/N/P M	RKKB A 240 Y M
MOTOR, BELT AND VARIABLE PITCH SHEAVE FOR BLOWER ASSEMBLY BELT DRIVE						
71	Stk	Blower Motor	51-42498-07	51-42574-01	51-42498-09	51-42498-11
72	Stk	Variable Sheave	71-42538-03	71-42538-03	71-42538-04	71-42538-04
73	Stk	Belt	71-40438-37	71-40438-37	71-40438-38	71-40438-38
74	Stk	Fixed Sheave includes Bushing	71-100774-03	71-100774-03	71-100774-02	71-100774-02
	Stk	Bushing	71-100773-01	71-100773-01	71-100773-01	71-100773-01

No.	Notes	MODEL TECHNICAL VARIATION COOLING CAPACITY ELECTRICAL DESIGNATION DRIVE PACKAGE	RKKB A 300 C/D/N/P L	RKKB A 300 Y L	RKKB A 300 C/D/N/P M	RKKB A 300 Y M
MOTOR, BELT AND VARIABLE PITCH SHEAVE FOR BLOWER ASSEMBLY BELT DRIVE						
71	Stk	Blower Motor	51-42498-07	51-42574-01	51-42498-09	51-42498-11
72	Stk	Variable Sheave	71-42538-03	71-42538-03	71-42538-04	71-42538-04
73	Stk	Belt	71-40438-37	71-40438-37	71-40438-38	71-40438-38
74	Stk	Fixed Sheave includes Bushing	71-100774-03	71-100774-03	71-100774-02	71-100774-02
	Stk	Bushing	71-100773-01	71-100773-01	71-100773-01	71-100773-01

No.	Notes	MODEL TECHNICAL VARIATION COOLING CAPACITY	RKKB A 090	RKKB A 102	RKKB A 120	RKKB A 150	RKKB A 181
COIL GROUP							
CONDENSER COIL:							
37a	Stk	Condenser Coil - Outdoor	AS-90656-21	AS-90656-27	AS-90656-20	AS-90656-25	AS-90656-48
37b	Stk	Condenser Coil - Outdoor	N/A	N/A	N/A	AS-90656-25	AS-90656-48
38		Front Air Stop	N/A	N/A	N/A	AE-90706-03	AE-90706-03
39		Rear Air Stop	N/A	N/A	N/A	AE-90706-04	AE-90706-04
40		Bottom Retainer (2)	N/A	N/A	N/A	AE-90700-02	AE-90700-02
41a		Top Support Condenser Coil	N/A	N/A	N/A	AE-90612-02	AE-90612-02
41b		Top Support Condenser Bulkhead	N/A	N/A	N/A	AE-90612-03	AE-90612-04
EVAPORATOR COIL:							
42	Stk	Complete Coil - Indoor	AS-90656-22	AS-90656-26	AS-90656-23	AS-90656-07	AS-90656-49
	Stk	Cap Tube / Flowcheck Distributor (2)	AS-21821-74	AS-21821-75	AS-21821-73	AS-21821-76	61-26112-11
43	Stk	Drain Pan	68-42500-01	68-42500-01	68-42500-01	68-42500-01	68-42500-01
FILTER PIECES:							
44a,b		Filter Frame (2)	AE-90606-02	AE-90606-02	AE-90606-02	AE-90606-02	AE-90606-02
45		Air Stop Bottom	AE-90605-03	AE-90605-03	AE-90605-03	AE-90605-03	AE-90605-03
46		Stop Air Stop	AE-90605-07	AE-90605-07	AE-90605-07	AE-90605-07	AE-90605-07
47		Top Air Stop	AS-90604-02	AS-90604-02	AS-90604-02	AS-90604-02	AS-90604-02
48a,b		Filter Channel (2)	AS-90607-02	AS-90607-02	AS-90607-02	AS-90607-02	AS-90607-02
49		Filter Channel (2)	AE-90608-02	AE-90608-02	AE-90608-02	AE-90608-02	AE-90608-02
50		Filter (6)	54-42541-01	54-42541-01	54-42541-01	54-42541-01	54-42541-01
51		Filter Slide (2)	AE-90615-01	AE-90615-01	AE-90615-01	AE-90615-01	AE-90615-01

No.	Notes	MODEL TECHNICAL VARIATION COOLING CAPACITY ELECTRICAL DESIGNATION	RKKB A 180 C/D/Y	RKKB A 180 N/P	RKKB A 240 C/D/Y	RKKB A 240 N/P	RKKB A 300 C/D/Y	RKKB A 300 N/P
EVAPORATOR COIL								
EVAPORATOR COIL:								
42	Stk	Complete Coil - Indoor	AS-90656-39	AS-90656-39	AS-90656-31	AS-90656-39	AS-90656-46	AS-90656-47
	5	Cap Tube Assembly - Circuit 1 (See Note 5)	83-100632-11	83-100632-11	83-100632-21	83-100632-11	83-100632-13	AS-21821-87
	5	Cap Tube Assembly - Circuit 2 (See Note 5)	83-100632-11	83-100632-11	83-100632-21	83-100632-11	83-100632-13	AS-21821-87
	5	Cap Tube Assembly - Circuit 3 (See Note 5)	83-100632-12	83-100632-12	83-100632-22	83-100632-12	83-100632-14	AS-21821-84
	5	Cap Tube Assembly - Circuit 4 (See Note 5)	83-100632-12	83-100632-12	83-100632-22	83-100632-12	83-100632-14	AS-21821-57
40		Air Flow Panel	AE-90828-01	AE-90828-01	AE-90828-01	AE-90828-01	AE-90828-01	AE-90828-01
41		Drain Pan Mounting Angle	AE-90799-01	AE-90799-01	AE-90799-01	AE-90799-01	AE-90799-01	AE-90799-01
43	Stk	Drain Pan	68-42500-01	68-42500-01	68-42500-01	68-42500-01	68-42500-01	68-42500-01

No.	Notes	MODEL TECHNICAL VARIATION COOLING CAPACITY	RKKB A 180	RKKB A 240	RKKB A 300			
CONDENSER COIL								
CONDENSER COIL:								
37a	Stk	Condenser Coil - Front	AS-90656-35	AS-90656-35	AS-90656-33			
37b	Stk	Condenser Coil - Rear	AS-90656-36	AS-90656-36	AS-90656-34			

No.	Notes	MODEL TECHNICAL VARIATION COOLING CAPACITY	RKKB A 180	RKKB A 240	RKKB A 300			
CONDENSER COIL								
FILTER PIECES:								
39		Filter Frame Assembly	AS-90603-03	AS-90603-03	AS-90603-03			
44a		Filter Frame	AE-90606-03	AE-90606-03	AE-90606-03			
44b		Filter Frame	AE-90606-04	AE-90606-04	AE-90606-04			
46		Air Stop - Side	AE-90605-08	AE-90605-08	AE-90605-08			
49		Filter Channel	AS-90607-02	AS-90607-02	AS-90607-02			
45		Air Stop Bottom	AE-90605-03	AE-90605-03	AE-90605-03			
47		Top Air Stop	AS-90604-03	AS-90604-03	AS-90604-03			
48 a/b		Filter Channel (2)	AE-90608-02	AE-90608-02	AE-90608-02			
50		Filter (6)						
50		18"x18"x2" (2)	54-42541-01	54-42541-01	54-42541-01			
50		18"x24"x2" (2)	54-42541-03	54-42541-03	54-42541-03			
51		Filter Slide (2)	AE-90615-01	AE-90615-01	AE-90615-01			

No.	Notes	MODEL	RKKB	RKKB	RKKB	RKKB	RKKB	RKKB	RKKB
		TECHNICAL VARIATION	A	A	A	A	A	A	A
		COOLING CAPACITY	090	102	120	150	181	090	102
		ELECTRICAL DESIGNATION	C	C	C	C	C	D	D
COMPRESSOR GROUP									
		Compressor ID:	6329	6514	6335	6526	6804	6330	6515
75	Stk	Compressor - Circuit One	55-23139-71S	55-23140-74	55-23140-47S	55-23141-43S	55-23141-55	55-23139-72S	55-23140-75
75	Stk	Compressor - Circuit Two	55-23139-71S	55-23140-74	55-23140-47S	55-23141-43S	55-23141-78S	55-23139-72S	55-23140-75
		Harness - Compressor 1	45-42522-21	45-42522-21	45-42522-03	45-42522-25	45-42522-25	45-42522-21	45-42522-21
		Harness - Compressor 2	45-42522-22	45-42522-22	45-42522-15	45-42522-29	45-42522-29	45-42522-22	45-42522-22

No.	Notes	MODEL	RKKB	RKKB	RKKB	RKKB	RKKB	RKKB	RKKB
		TECHNICAL VARIATION	A	A	A	A	A	A	A
		COOLING CAPACITY	120	150	181	090	102	120	150
		ELECTRICAL DESIGNATION	D	D	D	N	N	N	N
COMPRESSOR GROUP									
		Compressor ID:	6336	6527	6805	6331	6516	6331	6528
75	Stk	Compressor - Circuit One	55-23140-48S	55-23141-44S	55-23141-54S	55-23139-72S	55-23140-75	55-23139-72S	55-23141-44S
75	Stk	Compressor - Circuit Two	55-23140-48S	55-23141-44S	55-23141-86S	55-23139-72S	55-23140-75	55-23139-72S	55-23141-44S
		Harness - Compressor 1	45-42522-21	45-42522-31	45-42522-25	45-42522-21	45-42522-21	45-42522-21	45-42522-31
		Harness - Compressor 2	45-42522-22	45-42522-32	45-42522-29	45-42522-22	45-42522-22	45-42522-22	45-42522-32
		Compressor ID:						6337	
75	Stk	Compressor - Circuit One						55-23140-48S	
75	Stk	Compressor - Circuit Two						55-23140-48S	
		Harness - Compressor 1						45-42522-21	
		Harness - Compressor 2						45-42522-22	

No.	Notes	MODEL	RKKB	RKKB	RKKB	RKKB	RKKB	RKKB	RKKB
		TECHNICAL VARIATION	A	A	A	A	A	A	A
		COOLING CAPACITY	181	181	090	102	120	150	181
		ELECTRICAL DESIGNATION	N	P	Y	Y	Y	Y	Y
COMPRESSOR GROUP									
		Compressor ID:	6824	6823	6334	6518	6340	6530	6806
75	Stk	Compressor - Circuit One	55-23141-54S	55-23141-55S	55-23139-82S	55-23140-76	55-23140-49S	55-23141-45S	55-23141-58
75	Stk	Compressor - Circuit Two	55-23141-86S	55-23141-78S	55-23139-82S	55-23140-76	55-23140-49S	55-23141-45S	55-23141-87S
		Harness - Compressor 1	45-42522-25	45-42522-25	45-42522-21	45-42522-21	45-42522-21	45-42522-31	45-42522-25
		Harness - Compressor 2	45-42522-29	45-42522-29	45-42522-22	45-42522-22	45-42522-22	45-42522-32	45-42522-29

No.	Notes	MODEL	RKKB	RKKB	RKKB	RKKB	RKKB	RKKB	RKKB
		TECHNICAL VARIATION	A	A	A	A	A	A	A
		COOLING CAPACITY	180	240	300	180	240	300	180
		ELECTRICAL DESIGNATION	C	C	C	D	D	D	N
COMPRESSOR GROUP									
		Compressor ID:	6606	6611	6788	6607	6612	6789	6610
75	Stk	Compressor (4)	55-23139-71S	55-23140-92S	55-23141-43S	55-23139-72S	55-23140-93S	55-23141-44	55-23139-72S
		Harness - Compressor 1	45-42522-45	45-42522-39	45-42522-39	45-42522-45	45-42522-45	45-42522-45	45-42522-45
		Harness - Compressor 2	45-42522-46	45-42522-40	45-42522-40	45-42522-46	45-42522-46	45-42522-46	45-42522-46
		Harness - Compressor 3	45-42522-47	45-42522-41	45-42522-41	45-42522-47	45-42522-47	45-42522-47	45-42522-47
		Harness - Compressor 4	45-42522-48	45-42522-42	45-42522-42	45-42522-48	45-42522-48	45-42522-48	45-42522-48

No.	Notes	MODEL	RKKB	RKKB	RKKB	RKKB	RKKB	RKKB	
		TECHNICAL VARIATION	A	A	A	A	A	A	
		COOLING CAPACITY	240	300	180	180	240	300	
		ELECTRICAL DESIGNATION	N	N	P	Y	Y	Y	
COMPRESSOR GROUP									
		Compressor ID:	6615	6792	6609	6608	6613	6790	
75	Stk	Compressor (4)	55-23140-93S	55-23141-44S	55-23139-71S	55-23139-82S	55-23140-94	55-23141-45S	
		Harness - Compressor 1	45-42522-45	45-42522-45	45-42522-45	45-42522-45	45-42522-45	45-42522-45	
		Harness - Compressor 2	45-42522-46	45-42522-46	45-42522-46	45-42522-46	45-42522-46	45-42522-46	
		Harness - Compressor 3	45-42522-47	45-42522-47	45-42522-47	45-42522-47	45-42522-47	45-42522-47	
		Harness - Compressor 4	45-42522-48	45-42522-48	45-42522-48	45-42522-48	45-42522-48	45-42522-48	

No.	Notes	MODEL TECHNICAL VARIATION COOLING CAPACITY HEATING CAPACITY	RKKB	RKKB	RKKB	RKKB	RKKB
			A 90 12	A 90 18	A 90-181 15	A 90-120 22	A 150,181 25
HEAT EXCHANGER, BURNER / MANIFOLD							
76	Stk	Heat Exchanger	AS-90645-01	AS-90645-03	AS-90645-01	AS-90645-03	AS-90645-03
77		Turbulators	AE-58922-01 (6)	AE-58922-01 (9)	AE-58922-01 (6)	AE-58922-01 (9)	AE-58922-01 (9)
78		Inducer Mounting Plate Gasket	68-42518-02	68-42518-02	68-42518-02	68-42518-02	68-42518-02
79		Inducer Mounting Plate	AE-90675-03	AE-90675-02	AE-90675-03	AE-90675-02	AE-90675-04
80		Gasket - Induced Draft Blower	68-23643-02 (2)	68-23643-02 (2)	68-23643-02 (2)	68-23643-02 (2)	68-23643-02 (2)
Note: Induced Draft Blower 70-23641-01 is 230 V, and 70-23641-02 is 460 V. Verify original part before replacing.							
81	Stk	Induced Draft Blower w/Gasket - Voltages C/P/Y	N/A	N/A	70-23641-01 (2)	70-23641-01 (2)	70-23641-01 (2)
81	Stk	Induced Draft Blower w/Gasket - Voltages D/N - Before F2301	70-23641-01 (2)	70-23641-01 (2)	70-23641-01 (2)	70-23641-01 (2)	70-23641-01 (2)
81	Stk	Induced Draft Blower w/Gasket - Voltages D/N - After F2301	70-23641-02 (2)	70-23641-02 (2)	70-23641-02 (2)	70-23641-02 (2)	70-23641-02 (2)
		Wiring Harness - Induced Draft Blower (Voltages C/D/N/P/Y)	45-42522-19	45-42522-19	45-42522-19	45-42522-19	45-42522-30
82	Stk	Flue Duct (2)	75-23678-01	75-23678-01	75-23678-01	75-23678-01	75-23678-01
83	Stk	Pressure Switches (2)	42-23649-02	42-23649-02	42-23649-02	42-23649-02	42-23649-02
84		Pressure Switch Mounting Bracket (2) - Before F1909	AE-90635-05	AE-90635-05	AE-90635-05	AE-90635-03	AE-90635-03
84		Pressure Switch Mounting Bracket (2) - After F1909	AE-90635-05	AE-90635-05	AE-90635-05	AE-90635-05	AE-90635-05
85	Stk	Limit - Main Limit (Heat Exchanger Panel)	47-25349-03	47-25349-04	47-25349-09	47-25349-02	47-25349-04
86	Stk	Spark Ignitor	62-23556-08	62-23556-08	62-23556-08	62-23556-08	62-23556-08
87	Stk	Flame Sensor	62-23543-02	62-23543-02	62-23543-02	62-23543-02	62-23543-02
88	Stk	Limit - Manual Reset (Burner Compartment) (2)	47-22861-01	47-22861-01	47-22861-01	47-22861-01	47-22861-01
89		Burner Support	AE-90643-01	AE-90643-01	AE-90643-01	AE-90643-01	AE-90643-01
90		Burner Support Brackets (2)	AE-90642-02	AE-90642-02	AE-90642-02	AE-90642-02	AE-90642-02
91	Stk	Burner Assembly	AS-90772-01	AS-90772-01	AS-90772-01	AS-90772-02	AS-90772-02
92		Heat Shield	AE-90644-02	AE-90644-02	AE-90644-02	AE-90644-02	AE-90644-02
93	Stk	Manifold (w/o Orifices)	81-42509-03	81-42509-03	81-42509-03	81-42509-02	81-42509-02
94		Square Head Plug (Used to plug unused holes on Manifold)	81-23593-01 (4)	81-23593-01 (4)	81-23593-01 (4)	81-23593-01 (1)	81-23593-01 (1)
95		Burner Orifices - Natural Gas	See Orifice Selection Chart				
95		Burner Orifices - LP	See Orifice Selection Chart				
		Number of Orifices	-6	-9	-6	-9	-9

No.	Notes	MODEL TECHNICAL VARIATION COOLING CAPACITY HEATING CAPACITY	RKKB	RKKB	RKKB	RKKB
			A 180 21	A 180 25	A 180 29	A 180 35
HEAT EXCHANGER, BURNER/MANIFOLD						
12a		Gas Furnace Access Panel	AS-90715-04	AS-90715-04	AS-90715-05	AS-90715-05
76	Stk	Heat Exchanger	AS-90645-06	AS-90645-06	AS-90645-04	AS-90645-04
77		Turbulators	AE-58922-02 (10)	AE-58922-02 (10)	AE-58922-02 (14)	AE-58922-02 (14)
78		Inducer Mounting Plate Gasket	68-42518-03	68-42518-03	68-42518-03	68-42518-03
79		Inducer Mounting Plate	AE-90675-08	AE-90675-08	AE-90675-06	AE-90675-06
80	Stk	Gasket - Induced Draft Blower	68-23643-02 (2)	68-23643-02 (2)	68-23643-02 (3)	68-23643-02 (3)
Note: Induced Draft Blower 70-23641-01 is 230 V, and 70-23641-02 is 460 V. Verify original part before replacing.						
81	Stk	Induced Draft Blower w/Gasket - Voltages C/P/Y	70-23641-01 (2)	70-23641-01 (2)	70-23641-01 (3)	70-23641-01 (3)
81	Stk	Induced Draft Blower w/Gasket - Voltages D/N - Before F1901	70-23641-01 (2)	70-23641-01 (2)	70-23641-01 (3)	70-23641-01 (3)
81	Stk	Induced Draft Blower w/Gasket - Voltages D/N - After F1901	70-23641-02 (2)	70-23641-02 (2)	70-23641-02 (3)	70-23641-02 (3)
		Wiring Harness - Induced Draft Blower (Voltages C/D/N/P/Y)	45-42522-37	45-42522-37	45-42522-38	45-42522-38
		Transformer	See Electric Group			
82		Flue Duct (2)	75-23678-01	75-23678-01	75-23678-01	75-23678-01
83a	Stk	Pressure Switch - Left	N/A	N/A	42-23649-03	42-23649-03
83b	Stk	Pressure Switch - Middle Left	42-23649-03	42-23649-03	42-23649-02	42-23649-02
83c	Stk	Pressure Switch - Middle Right	42-23649-02	42-23649-02	42-23649-03	42-23649-03
83d	Stk	Pressure Switch - Right	N/A	N/A	N/A	N/A
84a		Pressure Switch Mounting Bracket - (Single Mount) - Before F1909	AE-90635-03 (1)	AE-90635-03 (1)	AE-90635-03 (2)	AE-90635-03 (2)
84a		Pressure Switch Mounting Bracket - (Single Mount) - After F1909	AE-90635-05 (1)	AE-90635-05 (1)	AE-90635-05 (2)	AE-90635-05 (2)
84b		Pressure Switch Mounting Bracket (Dual Mount)	AE-90635-04	AE-90635-04	AE-90635-04	AE-90635-04
	Stk	Limit - Main Limit (Heat Exchanger Panel)	47-25349-10	47-25349-10	47-22679-03	47-22679-03
87	Stk	Spark Ignitor	62-23556-09	62-23556-09	62-23556-09	62-23556-09
85	Stk	Flame Sensor	62-23543-02	62-23543-02	62-23543-02	62-23543-02
88	Stk	Limit - Manual Reset (Burner Compartment) (4)	47-22861-01	47-22861-01	47-22861-01	47-22861-01
89		Burner Support	AS-90830-01	AS-90830-01	AS-90830-01	AS-90830-01
90		Burner Support Brackets (2)	AE-90642-02	AE-90642-02	AE-90642-02	AE-90642-02
91	Stk	Burner Assembly	AS-90772-05	AS-90772-05	AS-90772-03	AS-90772-03
92		Heat Shield	AE-90644-03	AE-90644-03	AE-90644-03	AE-90644-03
93	Stk	Manifold (w/o Orifices)	81-42509-07	81-42509-07	81-42509-04	81-42509-04
		Square Head Plug (Used to plug unused holes on Manifold)	81-23593-01 (3)	81-23593-01 (3)	81-23593-01 (1)	81-23593-01 (1)
95		Burner Orifices - Natural Gas	See Orifice Selection Chart			
95		Burner Orifices - LP	See Orifice Selection Chart			
		Number of Orifices	-10	-10	-14	-14

No.	Notes	MODEL TECHNICAL VARIATION COOLING CAPACITY HEATING CAPACITY	RKKB A 240/300 25	RKKB A 240/300 30	RKKB A 240/300 33	RKKB A 240/300 40
HEAT EXCHANGER, BURNER / MANIFOLD						
12a		Gas Furnace Access Panel	AS-90715-05	AS-90715-05	AS-90715-03	AS-90715-03
76	Stk	Heat Exchanger	AS-90645-05	AS-90645-05	AS-90645-04	AS-90645-04
77		Turbulators	AE-58922-02 (12)	AE-58922-02 (12)	AE-58922-02 (14)	AE-58922-02 (14)
78		Inducer Mounting Plate Gasket	68-42518-03	68-42518-03	68-42518-03	68-42518-03
79		Inducer Mounting Plate	AE-90675-07	AE-90675-07	AE-90675-05	AE-90675-05
Note: Induced Draft Blower 70-23641-01 is 230 V, and 70-23641-02 is 460 V. Verify original part before replacing.						
80	Stk	Gasket - Induced Draft Blower	68-23643-02 (3)	68-23643-02 (3)	68-23643-02 (4)	68-23643-02 (4)
81	Stk	Induced Draft Blower w/Gasket - Voltages C/P/Y	70-23641-01 (3)	70-23641-01 (3)	70-23641-01 (4)	70-23641-01 (4)
81	Stk	Induced Draft Blower w/Gasket - Voltages D/N - Before F1901	70-23641-01 (3)	70-23641-01 (3)	70-23641-01 (4)	70-23641-01 (4)
81	Stk	Induced Draft Blower w/Gasket - Voltages D/N - After F1901	70-23641-02 (3)	70-23641-02 (3)	70-23641-02 (4)	70-23641-02 (4)
		Wiring Harness - Induced Draft Blower (Voltages C/D/N/P/Y)	45-42522-38	45-42522-38	45-42522-53	45-42522-53
		Transformer	See Electric Group			
82		Flue Duct (2)	75-23678-01 (3)	75-23678-01 (3)	75-23678-01 (4)	75-23678-01 (4)
83a	Stk	Pressure Switch - Left	42-23649-03	42-23649-03	42-23649-03	42-23649-03
83b	Stk	Pressure Switch - Middle Left	42-23649-01	42-23649-01	42-23649-02	42-23649-02
83c	Stk	Pressure Switch - Middle Right	42-23649-03	42-23649-03	42-23649-03	42-23649-03
83d	Stk	Pressure Switch - Right	N/A	N/A	42-23649-02	42-23649-02
84a		Pressure Switch Mounting Bracket - (Single Mount) - Before F1909	AE-90635-03 (1)	AE-90635-03 (2)	AE-90635-03 (2)	AE-90635-03 (2)
84a		Pressure Switch Mounting Bracket - (Single Mount) - After F1909	AE-90635-05 (1)	AE-90635-05 (2)	AE-90635-05 (2)	AE-90635-05 (2)
84b	Stk	Pressure Switch Mounting Bracket (Dual Mount)	AE-90635-04	AE-90635-04	AE-90635-04	AE-90635-04
	Stk	Limit - Main Limit (Heat Exchanger Panel)	47-25349-09	47-25349-09	47-22679-03	47-22679-03
87	Stk	Spark Ignitor	62-23556-09	62-23556-09	62-23556-09	62-23556-09
85	Stk	Flame Sensor	62-23543-02	62-23543-02	62-23543-02	62-23543-02
88	Stk	Limit - Manual Reset (Burner Compartment) (4)	47-22861-01	47-22861-01	47-22861-01	47-22861-01
89		Burner Support	AS-90830-01	AS-90830-01	AS-90830-01	AS-90830-01
90		Burner Support Brackets (2)	AE-90642-02	AE-90642-02	AE-90642-02	AE-90642-02
91	Stk	Burner Assembly	AS-90772-06	AS-90772-06	AS-90772-03	AS-90772-03
92	Stk	Heat Shield	AE-90644-03	AE-90644-03	AE-90644-03	AE-90644-03
93	Stk	Manifold (w/o Orifices)	81-42509-07	81-42509-07	81-42509-04	81-42509-04
		Square Head Plug (Used to plug unused holes on Manifold)	81-23593-01	81-23593-01	81-23593-01	81-23593-01
95		Burner Orifices - Natural Gas	See Orifice Selection Chart			
95		Burner Orifices - LP	See Orifice Selection Chart			
		Number of Orifices	-12	-12	-14	-14

No.	Notes	MODEL TECHNICAL VARIATION GAS CODE	RKKB A 1Z	RKKB A 2A	RKKB A 2B	RKKB A 2D	RKKB A 2F	RKKB A 2H	RKKB A 2K
GAS CONTROLS									
56	Stk	Integrated Furnace Control	62-42506-01	See Note 1	62-42506-01	62-42506-01	62-42506-02	62-42506-02 (See Note 4)	62-42506-02
96	Stk	Gas Valve - Natural Gas (Before F0308)	60-42508-01	See Note 1	60-23490-09	60-42570-01	60-23490-13	60-23490-13 (See Note 4)	60-102405-01
96	Stk	Gas Valve - Natural Gas (After F0308)	60-42508-01	See Note 1	60-23490-09	60-101778-01	60-23490-13	60-23490-13 (See Note 4)	60-102405-01
96	Stk,2	Gas Valve - LP	See Note 2	See Note 1	See Note 2	See Note 3	See Note 2	See Note 2 (See Note 4)	See Note 2
97	Stk	Street Elbow	81-17486-02	See Note 1	81-17486-01	81-40271-05	81-40271-04	81-40271-04 (See Note 4)	81-40271-04
98		Nipple Blk	N/A	See Note 1	N/A	81-40383-04	N/A	N/A	N/A
99		90 Deg Elbow Std	N/A	See Note 1	N/A	81-40394-24	N/A	N/A	N/A
	Stk	LP Conversion Kit	EP-87W	See Note 1	EP-86W	FP-14	EP-86W	EP-86W	FP-24

No.	Notes	MODEL TECHNICAL VARIATION COOLING CAPACITY	RKKB A 090-181
FACTORY INSTALLED OPTIONS / FIELD INSTALL ACCESSORIES			
		Louver Panel - Option	RXXR-AAD01C
		Time Delay Relay - Option	RXMD-A04
		High Pressure / Low Pressure Control Factory Installed Option	RXXR-AK01
		Freeze Stat - Option	RXXR-AM01
		Convenience Outlet - Option	RXXR-AN01
		Disconnect Switch Kit - Option	RXXR-AP01
		Low Ambient Control - Option	RXRZ-A90

No.	Notes	MODEL TECHNICAL VARIATIONS COOLING CAPACITY	RKKB A 180/240/300
FACTORY INSTALLED OPTIONS / FIELD INSTALL ACCESSORIES			
		Time Delay Relay	RXMD-A05
		Freeze Stat	RXXR-AM01
		Convenience Outlet	RXXR-AN01
		Disconnect Switch Kit	RXXR-AP01
		Low Ambient Control	RXRZ-A90
		Carbon Dioxide Sensor	RXXR-AR01
		Motorized Fresh Air	RXXR-AT01
		Manual Fresh Air	RXRF-GEA1

No.	Notes	MODEL COOLING CAPACITY	RKKB 090-150, 181
ECONOMIZERS			
		Outdoor Air Sensor Field Install	RXRD-EDCM2
		Single Enthalpy Field	RXRD-EDCM3
		Dual Enthalpy	RXRD-EDCM4

No.	Notes	MODEL COOLING CAPACITY	RKKB 180/240/300
ECONOMIZERS			
		Outdoor Air Sensor	RXRD-EFCM2
		Single Enthalpy	RXRD-EFCM3
		Dual Enthalpy	RXRD-EFCM4

No.	Notes	MODEL TECHNICAL VARIATION COOLING CAPACITY	RKKB A 090-300
POWER EXHAUST			
		Power Exhaust - C Voltage	RXXR-BFF02C
		Power Exhaust - D Voltage	RXXR-BFF02D
		Power Exhaust - Y Voltage	RXXR-BFF02Y

PACKAGE EQUIPMENT - ORIFICE SELECTION CHART - NATURAL GAS

CAUTION: Selection of the correct Natural Gas Orifice requires the following information for the specific installation:

- 1) Furnace Input Rating (BTU/HR)
- 2) Number of Burners
- 2) Altitude (ft.)

For detailed information and instructions for Orifice selection, see the Gas Furnace LP Conversion Kit Index 92-21519-47 and the latest edition of the National Fuel Gas Code Handbook, or the National Standard of Canada, Natural Gas and Propane Installation Code, CAN B149.1.

CAUTION: This information is provided for replacement purposes only. Conversion for operation at High Altitude must be done using the kit specified on the product specification sheet for the unit.

NOTE: This Orifice sizing chart is based on a Natural Gas heating value of 1075 BTU/cu. ft and a pressure setting of 3.5 in. water column.

NOTE: Factory installed orifices are calculated and sized based on a Natural Gas heating value of 1075 BTU/cu. ft. and an elevation of 0 - 2000 ft.

Furnace Input Rating (BTU/HR)	Canadian High Altitude Derated Input (BTU/HR)	Number of Burners	Elevation (ft.)					
			Country					
			0 - 2000 U.S.	2001 - 4000 U.S.	4001 - 6000 U.S.	8000+ U.S.	0 - 2000 Canada	2001 - 4500 Canada
40,000	36,000	2	62-22175-45	62-22175-47	62-22175-48	62-22175-49	62-22175-45	62-22175-15
60,000	54,000	3	62-22175-45	62-22175-47	62-22175-48	62-22175-49	62-22175-45	62-22175-15
72,000	N/A	4	62-22175-15	62-22175-49	62-22175-50	62-22175-51	62-22175-15	N/A
80,000	72,000	4	62-22175-45	62-22175-47	62-22175-48	62-22175-49	62-22175-45	62-22175-15
90,000	N/A	5	62-22175-15	62-22175-49	62-22175-50	62-22175-51	62-22175-15	N/A
100,000	90,000	5	62-22175-45	62-22175-47	62-22175-48	62-22175-49	62-22175-45	62-22175-15
120,000	108,000	6	62-22175-45	62-22175-47	62-22175-48	62-22175-49	62-22175-45	62-22175-15
135,000	121,500	6	62-22175-44	62-22175-45	62-22175-47	62-22175-48	62-22175-44	62-22175-45
150,000	135,000	6	62-22175-42	62-22175-43	62-22175-44	62-22175-45	62-22175-42	62-22175-44
180,000	N/A	9	62-22175-45	62-22175-47	62-22175-48	62-22175-49	62-22175-45	N/A
210,000	N/A	9	62-22175-43	62-22175-44	62-22175-45	62-22175-47	62-22175-43	N/A
210,000	N/A	10	62-22175-45	62-22175-47	62-22175-48	62-22175-49	62-22175-45	N/A
225,000	202,500	9	62-22175-42	62-22175-43	62-22175-44	62-22175-45	62-22175-42	62-22175-44
250,000	225,000	10	62-22175-42	62-22175-43	62-22175-44	62-22175-45	62-22175-42	62-22175-44
252,000	225,000	9	62-22175-40	62-22175-42	62-22175-43	62-22175-44	62-22175-40	62-22175-42
252,000	N/A	12	62-22175-45	62-22175-47	62-22175-48	62-22175-49	62-22175-45	N/A
290,000	N/A	14	62-22175-45	62-22175-47	62-22175-48	62-22175-49	62-22175-45	N/A
300,000	270,000	12	62-22175-42	62-22175-43	62-22175-44	62-22175-45	62-22175-42	62-22175-44
330,000	N/A	14	62-22175-43	62-22175-44	62-22175-45	62-22175-47	62-22175-43	N/A
350,000	315,000	14	62-22175-42	62-22175-43	62-22175-44	62-22175-45	62-22175-42	62-22175-44
400,000	360,000	14	62-22175-40	62-22175-42	62-22175-43	62-22175-44	62-22175-40	62-22175-42

PACKAGE EQUIPMENT - ORIFICE SELECTION CHART - LP

CAUTION: Selection of the correct LP Orifice requires the following information for the specific installation:

- 1) Furnace Input Rating (BTU/HR)
- 2) Number of Burners
- 2) Altitude (ft.)

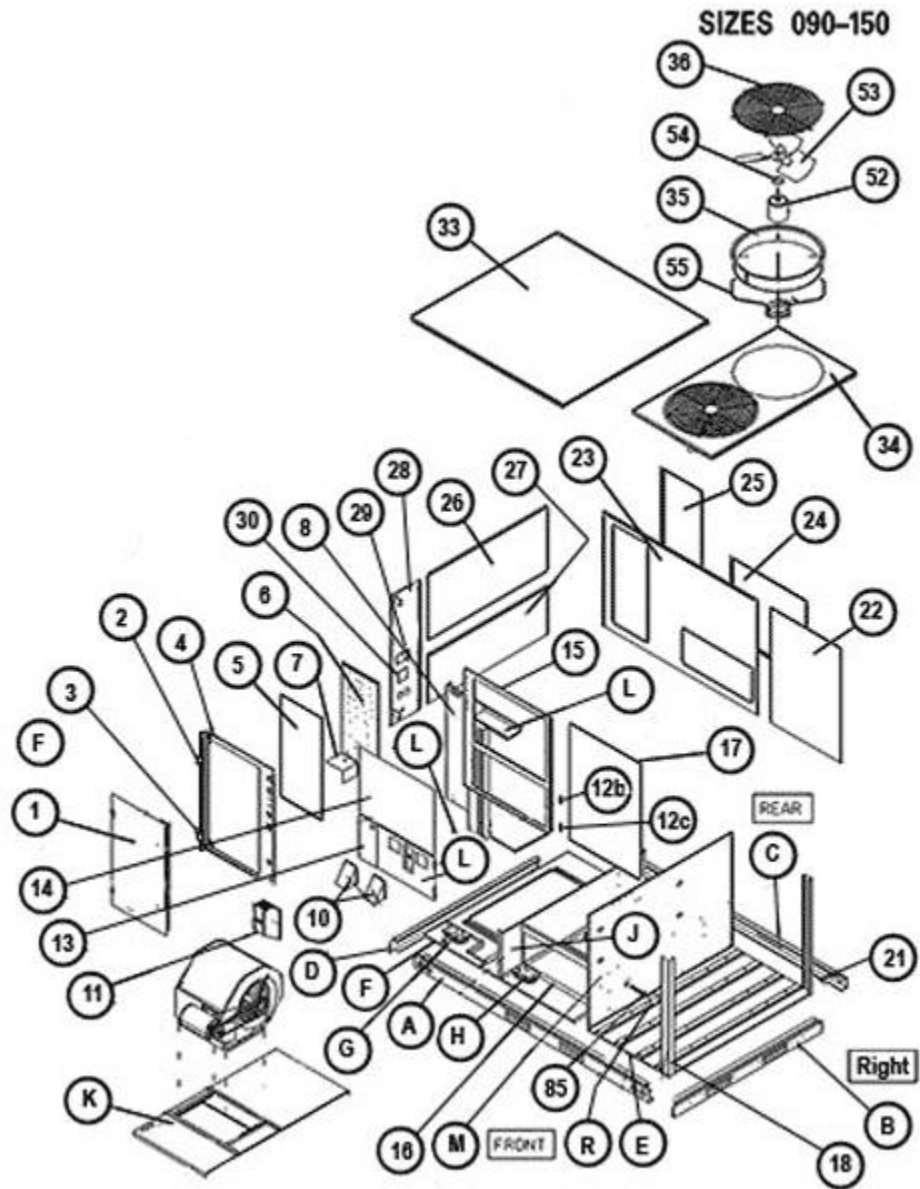
For detailed information and instructions for Orifice selection, see the Gas Furnace LP Conversion Kit Index 92-21519-47 and the latest edition of the National Fuel Gas Code Handbook, or the National Standard of Canada, Natural Gas and Propane Installation Code, CAN B149.1.

CAUTION: This information is provided for replacement purposes only. Conversion to LP or for operation at High Altitude should be done using the kit(s) specified on the product specification sheet for the unit.

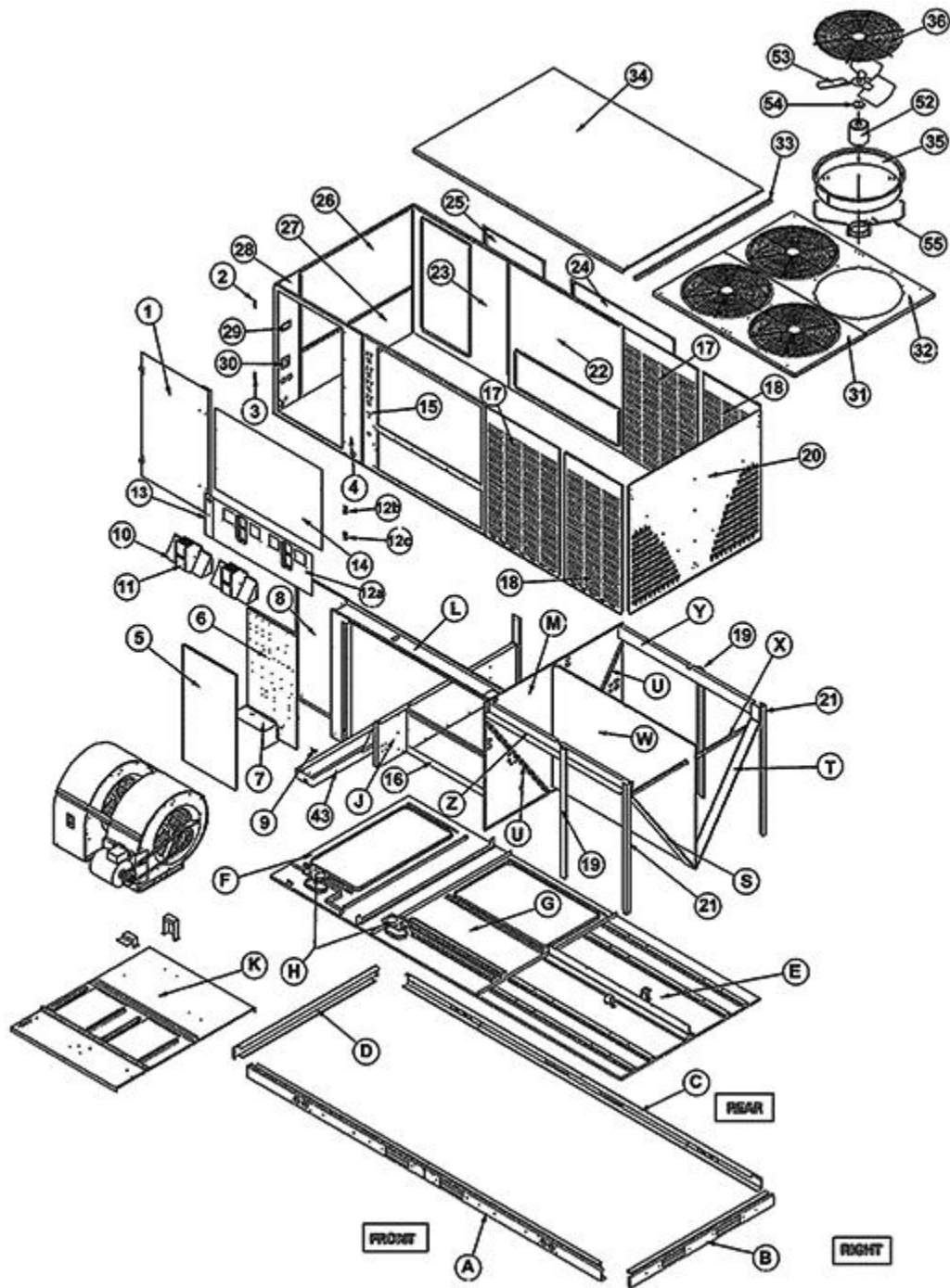
NOTE: This Orifice sizing chart is developed using the specified pressure setting of 10 in. water column instead of the 11.0 in water column used by the NFG and CANB149.1.

NOTE: Orifices supplied in the LP Conversion Kit are calculated and sized based on a heating value of 2500 BTU/cu. ft. and an elevation of 0 - 2000 ft.

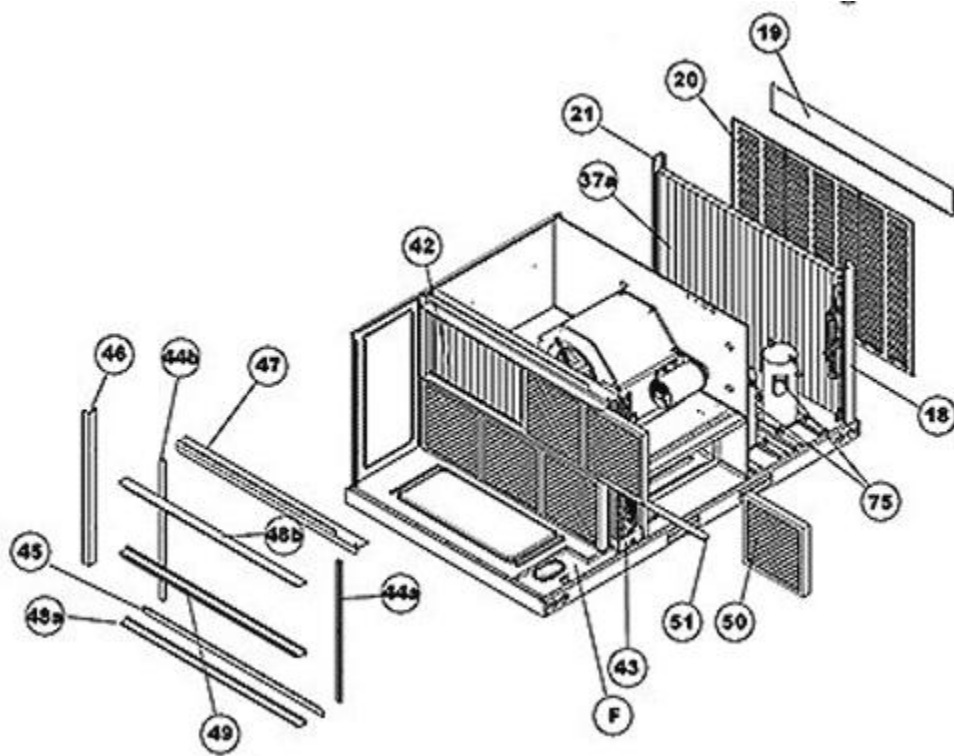
Furnace Input Rating (BTU/HR)	Canadian High Altitude Derated Input (BTU/HR)	Number of Burners	Elevation (ft.)					
			Country					
			0 - 2000 U.S.	2001 - 4000 U.S.	4001 - 6000 U.S.	8000+ U.S.	0 - 2000 Canada	2001 - 4500 Canada
40,000	36,000	2	62-22175-55	62-22175-55	62-22175-56	62-22175-56	62-22175-55	62-22175-13
60,000	54,000	3	62-22175-55	62-22175-55	62-22175-56	62-22175-56	62-22175-55	62-22175-13
72,000	N/A	4	62-22175-13	62-22175-57	62-22175-57	62-22175-59	62-22175-13	N/A
80,000	72,000	4	62-22175-55	62-22175-55	62-22175-56	62-22175-56	62-22175-55	62-22175-13
90,000	N/A	5	62-22175-13	62-22175-57	62-22175-57	62-22175-59	62-22175-13	N/A
100,000	90,000	5	62-22175-55	62-22175-55	62-22175-56	62-22175-56	62-22175-55	62-22175-13
120,000	108,000	6	62-22175-55	62-22175-55	62-22175-56	62-22175-56	62-22175-55	62-22175-13
135,000	121,500	6	62-22175-54	62-22175-55	62-22175-55	62-22175-56	62-22175-54	62-22175-55
150,000	135,000	6	62-22175-54	62-22175-55	62-22175-55	62-22175-56	62-22175-54	62-22175-54
180,000	N/A	9	62-22175-55	62-22175-55	62-22175-56	62-22175-56	62-22175-55	N/A
210,000	N/A	9	62-22175-54	62-22175-55	62-22175-55	62-22175-56	62-22175-54	N/A
210,000	N/A	10	62-22175-55	62-22175-55	62-22175-56	62-22175-56	62-22175-55	N/A
225,000	202,500	9	62-22175-54	62-22175-55	62-22175-55	62-22175-56	62-22175-54	62-22175-54
250,000	225,000	10	62-22175-54	62-22175-55	62-22175-55	62-22175-56	62-22175-54	62-22175-54
252,000	225,000	9	62-22175-53	62-22175-54	62-22175-54	62-22175-55	62-22175-53	62-22175-54
252,000	N/A	12	62-22175-55	62-22175-55	62-22175-56	62-22175-56	62-22175-55	N/A
290,000	N/A	14	62-22175-55	62-22175-55	62-22175-56	62-22175-56	62-22175-55	N/A
300,000	270,000	12	62-22175-54	62-22175-55	62-22175-55	62-22175-56	62-22175-54	62-22175-54
330,000	N/A	14	62-22175-54	62-22175-55	62-22175-55	62-22175-56	62-22175-54	N/A
350,000	315,000	14	62-22175-54	62-22175-55	62-22175-55	62-22175-56	62-22175-54	62-22175-54
400,000	360,000	14	62-22175-53	62-22175-54	62-22175-54	62-22175-55	62-22175-53	62-22175-54



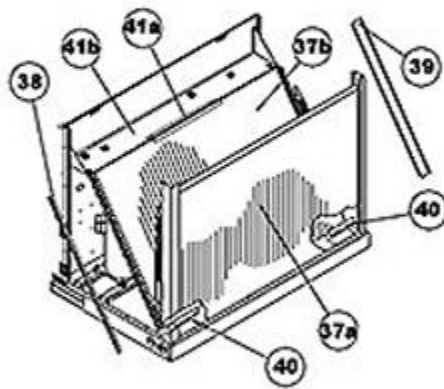
Exploded View 090-150 181



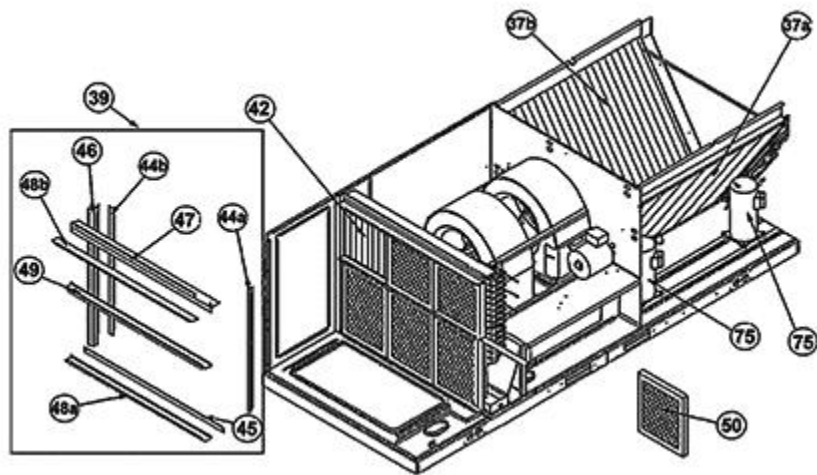
Exploded View 180 240 300



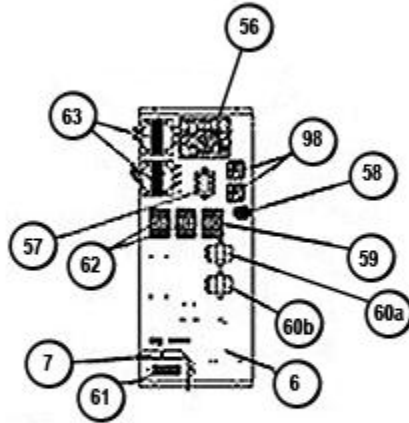
Filter Rack Assembly 090-150 181



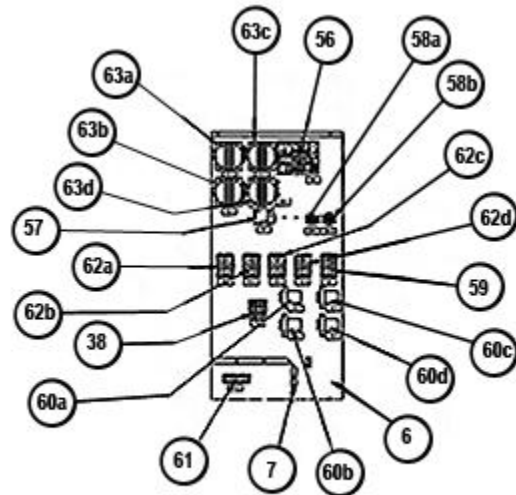
Coil Assembly 090-150 181



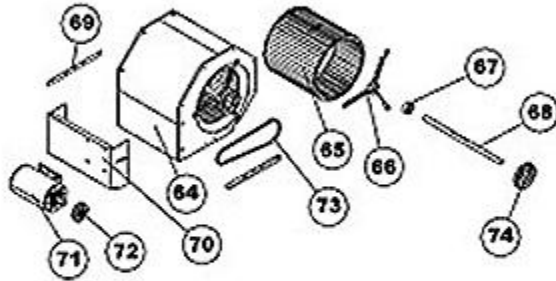
Filter Rack - Coil Assembly 180 240 300



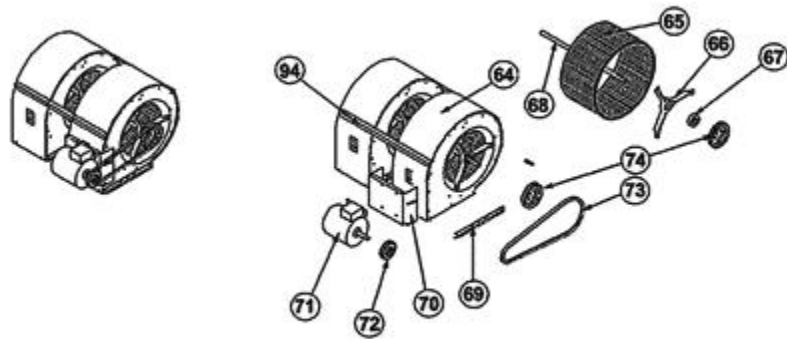
Control Board Assembly 090-150 181



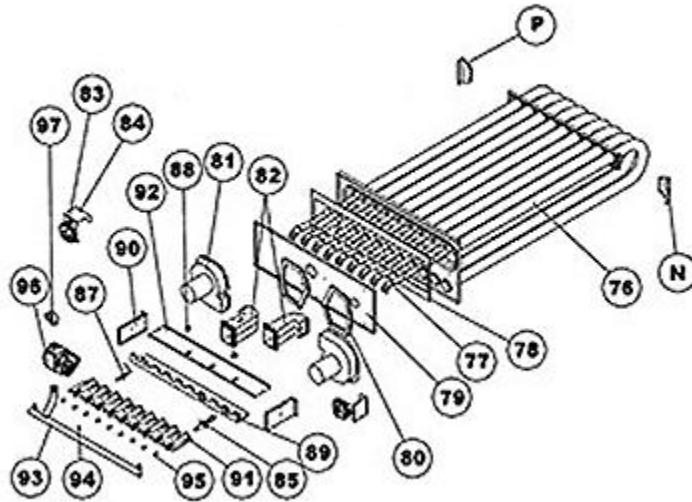
Control Board Assembly 180 240 300



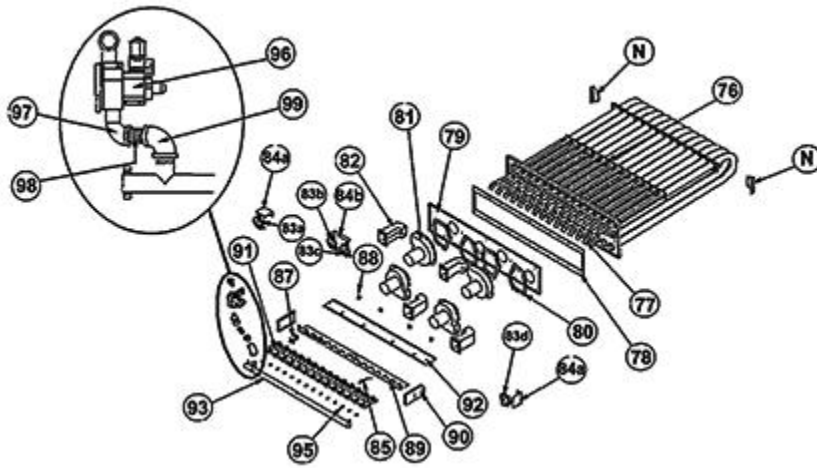
Blower Assembly 090-150 181



Blower Assembly 180 240 300



Heat Exchanger Assembly 090-150 181



Heat Exchanger Assembly 180 240 300

NOTES

Stk	It is recommended that stock be maintained for this part.
N/A	Not Applicable
1	A small number of early production RKKB series were built with "2B" gas control components, but were labeled with a " 2A" serial number. The units labeled with " 2A" have the " 2B" gas control parts.
2	Order the specified LP Conversion Kit.
3	Order Gas Valve for Natural Gas along with LP Conversion Kit.
4	Some 15 ton RKKB models with "2D" gas control components were incorrectly labeled with a " 2H" serial number. These units labeled with " 2H" have the " 2D" gas control parts.
5	Circuit numbering orientation is from bottom to top of coil.

DISCLAIMER: This document is intended to provide general replacement parts information to aid qualified service personnel in the repair of these models. The complete Model and Serial Number of the unit under repair should be specified when selecting and ordering replacement parts. Specifications and illustrations are subject to change without notice. Document 92-42800-RKKB supersedes all previous parts lists for these models. See <http://www.rheempartslists.net/92-42800-RKKB> for the latest revision of this document. The manufacturer assumes no obligation for errors or omissions. Service personnel must verify the proper and safe operation of equipment after the replacement of any original components.