

FAN BLADES

FAN BLADES W/INTEGRAL HUB

Fan Blades w/Integral Hub – 2 Blade



PART NO	NO OF BLADES	OVERALL DIA (IN)	ROTATION (FACING AIR DISCHARGE SIDE)	PITCH (DEGREES)	BORE DIA (IN)	HUB LOCATION
70-25123-01	2	14	CW	36	1/2	Outlet Side
70-21858-15	2	17-3/4	CCW	27	1/2	Inlet Side
70-21859-04	2	18	CCW	19	1/2	Inlet Side
70-21858-13	2	18	CCW	20	1/2	Inlet Side
70-101323-16	2	18	CCW	25	1/2	Inlet Side
70-102011-21	2	18	CCW	26	1/2	Inlet Side
70-21858-12	2	18	CCW	27	1/2	Inlet Side
70-102011-22	2	18	CCW	27	1/2	Inlet Side
70-21859-05	2	18	CCW	28	1/2	Inlet Side
70-102033-08	2	18	CCW	28	1/2	Inlet Side
70-101323-15	2	18	CCW	31	1/2	Inlet Side
70-20607-05	2	20	CCW	16	1/2	Inlet Side
70-21858-09	2	20	CCW	21	1/2	Inlet Side
70-104698-01	2	20	CCW	22	1/2	Inlet Side
70-101323-24	2	20	CCW	25	1/2	Inlet Side
70-101323-37	2	20	CCW	26	1/2	Inlet Side
70-21848-05	2	20	CCW	26	1/2	Inlet Side
70-20607-04	2	20	CCW	27	1/2	Inlet Side
70-101323-25	2	20	CCW	27	1/2	Inlet Side
70-101323-09	2	20	CCW	28	1/2	Inlet Side
70-101323-26	2	20	CCW	30	1/2	Inlet Side
70-20558-03	2	22	CCW	16	1/2	Inlet Side
70-102011-23	2	22	CCW	18	1/2	Inlet Side
70-102011-08	2	22	CCW	21	1/2	Inlet Side
70-21858-06	2	22	CCW	21	1/2	Inlet Side
70-20608-01	2	22	CCW	27	1/2	Inlet Side
70-100580-07	2	22	CCW	28	1/2	Inlet Side
70-102011-16	2	22	CCW	28	1/2	Inlet Side
70-102011-07	2	22	CCW	35	1/2	Inlet Side
70-23137-01	2	24	CCW	19	1/2	Inlet Side
70-102011-09	2	24	CCW	22	1/2	Inlet Side
70-102011-03	2	24	CCW	24	1/2	Inlet Side
70-26166-01	2	24	CCW	24	1/2	Inlet Side
70-102345-10	2	24	CCW	26	1/2	Outlet Side
70-102011-13	2	24	CCW	28	1/2	Inlet Side
70-102011-24	2	24	CCW	31	1/2	Inlet Side
70-102011-10	2	24	CCW	31	1/2	Inlet Side
70-102345-12	2	26	CCW	24	1/2	Inlet Side
70-102345-13	2	26	CCW	26	1/2	Inlet Side
70-101323-27	2	26	CCW	28	1/2	Inlet Side



Fan Blades w/Integral Hub – 3 Blade

PART NO	NO OF BLADES	OVERALL DIA (IN)	ROTATION (FACING AIR DISCHARGE SIDE)	PITCH (DEGREES)	BORE DIA (IN)	HUB LOCATION
70-24281-05	3	15-1/2	CW	25	1/2	Outlet Side
70-102011-01	3	18	CCW	27	1/2	Inlet Side
70-102033-05	3	18	CCW	30	1/2	Inlet Side
70-102011-05	3	18	CCW	32	1/2	Inlet Side
70-101323-14	3	18	CCW	34	1/2	Inlet Side

(continued on next page)

FAN BLADES

FAN BLADES W/INTEGRAL HUB

Fan Blades w/Integral Hub – 3 Blade CONTINUED



PART NO	NO OF BLADES	OVERALL DIA (IN)	ROTATION (FACING AIR DISCHARGE SIDE)	PITCH (DEGREES)	BORE DIA (IN)	HUB LOCATION
70-17758-01	3	18	CW	27	1/2	Inlet Side
70-100580-06	3	20	CCW	22	1/2	Inlet Side
70-102011-17	3	20	CCW	22	1/2	Inlet Side
70-101323-33	3	20	CCW	24	1/2	Inlet Side
70-19895-01	3	20	CCW	25	1/2	Inlet Side
70-101323-32	3	20	CCW	26	1/2	Inlet Side
70-101323-36	3	20	CCW	27	1/2	Inlet Side
70-21848-07	3	20	CCW	28	1/2	Inlet Side
70-102011-06	3	20	CCW	29	1/2	Inlet Side
70-101323-38	3	20	CCW	30	1/2	Inlet Side
70-17845-01	3	20	CW	31	1/2	Outlet Side
70-23594-03	3	21-11/16	CCW	27	1/2	Inlet Side
70-101323-21	3	22	CCW	18	1/2	Inlet Side
70-19896-03	3	22	CCW	18	1/2	Inlet Side
70-102345-02	3	22	CCW	22	1/2	Inlet Side
70-100580-02	3	22	CCW	22	1/2	Inlet Side
70-23594-02	3	22	CCW	24	1/2	Inlet Side
70-102033-02	3	22	CCW	25	1/2	Inlet Side
70-101323-19	3	22	CCW	28	1/2	Inlet Side
70-42268-01	3	22	CCW	30	1/2	Inlet Side
70-102011-20	3	24	CCW	20	1/2	Inlet Side
70-100580-03	3	24	CCW	22	1/2	Inlet Side
70-19897-01	3	24	CCW	22	1/2	Inlet Side
70-102345-08	3	24	CCW	22	1/2	Inlet Side
70-21858-17	3	24	CCW	22	1/2	Inlet Side
70-42572-04	3	24	CCW	22	1/2	Inlet Side
70-102011-12	3	24	CCW	22	1/2	Inlet Side
70-100580-08	3	24	CCW	23	1/2	Inlet Side
70-21858-18	3	24	CCW	24	1/2	Inlet Side
70-101323-41	3	24	CCW	24	1/2	Inlet Side
70-42484-01	3	24	CCW	25	1/2	Inlet Side
70-101323-34	3	24	CCW	25	1/2	Inlet Side
70-102345-01	3	24	CCW	26	1/2	Inlet Side
70-101323-35	3	24	CCW	26	1/2	Inlet Side
70-101323-20	3	24	CCW	27	1/2	Inlet Side
70-100580-04	3	24	CCW	28	1/2	Inlet Side
70-101323-30	3	24	CCW	28	1/2	Inlet Side
70-102033-04	3	24	CCW	28	1/2	Inlet Side
70-101323-22	3	24	CCW	30	1/2	Inlet Side
70-42572-01	3	24	CW	22	1/2	Outlet Side
70-42572-02	3	24	CW	24	1/2	Outlet Side
70-101323-39	3	26	CCW	22	1/2	Inlet Side
70-101323-28	3	26	CCW	24	1/2	Inlet Side
70-102345-09	3	26	CCW	24	1/2	Inlet Side
70-101323-40	3	26	CCW	25	1/2	Inlet Side
70-102345-14	3	26	CCW	26	1/2	Inlet Side
70-101323-29	3	26	CCW	26	1/2	Inlet Side
70-40751-01	3	26	CW	37	5/8	Inlet Side

FAN BLADES

FAN BLADES W/INTEGRAL HUB

Fan Blades w/Integral Hub – 4 Blade



PART NO	NO OF BLADES	OVERALL DIA (IN)	ROTATION (FACING AIR DISCHARGE SIDE)	PITCH (DEGREES)	BORE DIA (IN)	HUB LOCATION
70-24281-04	4	18	CW	24	1/2	Outlet Side
70-42497-01	4	22	CCW	30	1/2	Inlet Side
70-42502-03	4	24	CCW	23	1/2	Inlet Side
70-103693-01	4	24	CCW	24	1/2	Inlet Side
70-42497-02	4	24	CW	23	1/2	Outlet Side
70-42572-03	4	24	CW	25	1/2	Outlet Side
70-42497-03	4	24	CW	28	1/2	Outlet Side

Fan Blades w/Integral Hub – 5 Blade



PART NO	NO OF BLADES	OVERALL DIA (IN)	ROTATION (FACING AIR DISCHARGE SIDE)	PITCH (DEGREES)	BORE DIA (IN)	HUB LOCATION
70-17520-02	5	16	CCW	33	1/2	Outlet Side
70-17518-06	5	18	CCW	33	1/2	Outlet Side
70-40352-01	5	20	CW	37	1/2	Outlet Side

Fan Blades w/Integral Hub – 6 Blade



PART NO	NO OF BLADES	OVERALL DIA (IN)	ROTATION (FACING AIR DISCHARGE SIDE)	PITCH (DEGREES)	BORE DIA (IN)	HUB LOCATION
70-20931-01	6	20	CCW	35	1/2	Inlet Side
70-20089-01	6	20	CCW	35	1/2	Outlet Side
70-19917-01	6	20	CW	35	1/2	Outlet Side

FAN BLADES W/SEPARATE HUBS

- These blades use reversible hubs; order separately
- Choose hub from the Removable Hubs section based on desired bore size

Fan Blades w/Separate Hub – 4 Blade



PART NO	NO OF BLADES	OVERALL DIA (IN)	PITCH (DEGREES)	BORE DIA (IN)	HUB LOCATION
70-25123-15	4	22	27	Order Separately	Inlet/Outlet Side
70-25123-07	4	16	27	Order Separately	Inlet/Outlet Side
70-25123-17	4	22	33	Order Separately	Inlet/Outlet Side
70-25123-16	4	22	27	Order Separately	Inlet/Outlet Side
70-25123-19	4	24	27	Order Separately	Inlet/Outlet Side
70-25123-13	4	20	33	Order Separately	Inlet/Outlet Side
70-25123-03	4	12	27	Order Separately	Inlet/Outlet Side
70-25123-18	4	24	23	Order Separately	Inlet/Outlet Side
70-25123-09	4	18	27	Order Separately	Inlet/Outlet Side
70-25123-11	4	18	33	Order Separately	Inlet/Outlet Side
70-25123-06	4	16	27	Order Separately	Inlet/Outlet Side
70-25123-04	4	14	33	Order Separately	Inlet/Outlet Side
70-25123-10	4	18	27	Order Separately	Inlet/Outlet Side
70-25123-12	4	20	27	Order Separately	Inlet/Outlet Side

FAN BLADES

FAN BLADES W/SEPARATE HUB

Fan Blades w/Separate Hub – 5 Blade



PART NO	NO OF BLADES	OVERALL DIA (IN)	PITCH (DEGREES)	BORE DIA (IN)	HUB LOCATION
703011	5	18	27	Order Separately	Inlet/Outlet Side
70-25123-23	5	18	33	Order Separately	Inlet/Outlet Side
70-25123-22	5	16	33	Order Separately	Inlet/Outlet Side

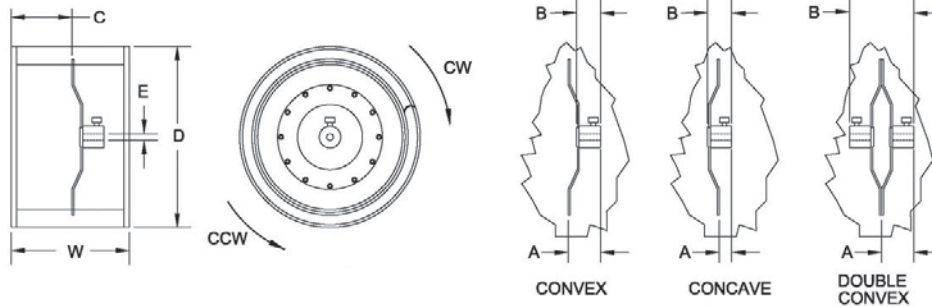


Removable Hubs

PART NO	DESCRIPTION	CASE QTY	CASE REQ
70-25124-03	Reversible Hub - 1/2 in.	12	Yes
70-25124-04	Reversible Hub - 5/8 in.	12	Yes

BLOWER WHEELS

Rotation is determined viewing from hub end with set screw.



Blower Wheels – CW

PART NO	ROTATION DIRECTION (FACING HUB)	NOMINAL SIZE (IN)	OVERALL DIAMETER DIM D (IN)	OVERALL WIDTH DIM W (IN)	NOM HUB BORE SHAFT SIZE DIM E (IN)	NO SET SCREWS	OUTSIDE EDGE OF DISC TO OUTSIDE EDGE OF HUB DIM A (IN)	HUB LENGTH DIM B (IN)	DISC SETBACK – OUTSIDE EDGE OF DISC TO END OF WHEEL OPPOSITE HUB DIM C (IN)	KEYWAY (IN)	DISC SHAPE (HUB SIDE)
70-18631-01	CW	9 x 7	9-1/2	7-1/8	1/2	1	1-3/4	1-1/8	3-9/16	None	Convex
70-25121-01	CW	9 x 9	9-1/2	9-1/2	1/2	1	7/32	1-1/8	4-3/4	None	Concave
PD706269	CW	10 x 10	10-5/8	10-11/16	1/2	1	2-1/64	1	5-11/32	None	Convex
703023	CW	10 x 10	10-5/8	10-11/16	1/2	1	2	1-1/8	4-11/32	None	Convex
70-20218-03	CW	10 x 10	10-5/8	10-3/4	1/2	1	1/8	1-3/16	5-5/16	None	Concave
70-18629-01	CW	10 x 10	10-5/8	10-5/8	1/2	1	1/32	1-1/8	5-3/8	None	Concave
703022	CW	10 x 6	10-5/8	6	1/2	1	1-7/8	1-1/8	2-31/32	None	Convex
PD706267	CW	10 x 6	10-5/8	6-1/16	1/2	1	2-1/64	1	3-5/16	None	Convex
703012	CW	10 x 6	10-5/8	6-1/16	1/2	1	2	1-1/8	3	None	Convex
70-18627-04	CW	10 x 6	10-5/8	6-1/8	1/2	1	2	1-1/8	4-1/16	None	Convex
70-20218-02	CW	10 x 7	10-5/8	7-3/16	1/2	1	2	1-1/8	3-9/16	None	Convex
703021	CW	10 x 8	10-5/8	8	1/2	1	1-7/8	1-1/8	3-31/32	None	Convex
703014	CW	10 x 8	10-5/8	8-1/16	1/2	1	2	1-1/8	4	None	Convex
PD706268	CW	10 x 8	10-5/8	8-1/16	1/2	1	2-1/64	1	4-5/16	None	Convex
70-18625-01	CW	10 x 9	10-5/8	9-1/2	1/2	1	1/32	1-1/8	4-3/4	None	Concave
703017	CW	10 x 9	10-5/8	9-1/2	1/2	1	2	1-1/8	5-7/8	None	Convex
70-25121-03	CW	10 x 8	11-1/8	8	1/2	1	1-15/16	1-1/8	4	None	Convex
70-21263-01	CW	12 x 9-1/2	11-3/4	9-1/2	1/2	1	2	1-1/8	4-3/4	None	Convex
70-20602-01	CW	11 x 10	11-7/8	10-11/16	1/2	1	1/8	1-1/4	5-3/8	None	Concave

(continued on next page)

BLOWER WHEELS



Blower Wheels – CW CONTINUED

PART NO	ROTATION DIRECTION (FACING HUB)	NOMINAL SIZE (IN)	OVERALL DIAMETER DIM D (IN)	OVERALL WIDTH DIM W (IN)	NOM HUB BORE SHAFT SIZE DIM E (IN)	NO SET SCREWS	OUTSIDE EDGE OF DISC TO OUTSIDE EDGE OF HUB DIM A (IN)	HUB LENGTH DIM B (IN)	DISC SETBACK – OUTSIDE EDGE OF DISC TO END OF WHEEL OPPOSITE HUB DIM C (IN)	KEYWAY (IN)	DISC SHAPE (HUB SIDE)
70-24255-01	CW	11 x 10	11-7/8	10-3/4	1/2	1	2-1/8	1-1/8	7-3/8	None	Convex
70-23111-20	CW	11 x 10	11-15/16	10-11/16	1/2	1	2-1/8	1	5-11/32	None	Convex
70-23592-02	CW	11 x 10	11-15/16	10-11/16	1/2	1	1/8	1	5-11/32	None	Concave
PD703028	CW	11 x 10	11-15/16	10-11/16	1/2	1	2-1/8	1-1/8	5-11/32	None	Convex
703015	CW	11 x 11	11-15/16	11-15/16	1/2	1	2-1/8	1-1/8	6	None	Convex
PD703029	CW	11 x 11	11-15/16	11-15/16	1/2	1	2-1/8	1-1/8	5-31/32	None	Convex
PD706270	CW	11 x 11	11-15/16	11-15-16	1/2	1	2-1/8	1	5-31/32	None	Convex
70-23111-50	CW	11 x 4	11-15/16	3-13/16	1/2	1	2	1-1/8	1-15/16	None	Convex
70-23111-51	CW	11 x 5	11-15/16	5-9/32	1/2	1	2-1/8	1-1/8	2-5/8	None	Convex
70-22683-01	CW	11 x 6	11-15/16	6-1/16	1/2	1	2-1/8	1-3/16	3	None	Convex
PD703025	CW	11 x 6	11-15/16	6-1/16	1/2	1	2-1/8	1-1/8	3-1/32	None	Convex
PD703026	CW	11 x 7	11-15/16	7-1/8	1/2	1	2-1/8	1-1/8	3-9/16	None	Convex
70-23111-05	CW	11 x 7	11-15/16	7-1/8	1/2	1	1/8	1-3/16	4-9/16	None	Concave
70-23111-43	CW	11 x 7	11-15/16	7-1/8	1/2	1	1/8	1-1/8	3-9/16	None	Concave
70-24254-02	CW	11 x 7	11-15/16	7-1/8	1/2	1	2-1/8	1-1/8	4-1/16	None	Convex
70-21476-02	CW	11 x 7	11-15/16	7-3/16	1/2	1	2-1/8	1-1/8	3-19/32	None	Convex
PD703027	CW	11 x 8	11-15/16	8-1/16	1/2	1	2-1/8	1-1/8	4-1/32	None	Convex
70-23111-44	CW	11 x 9	11-15/16	9-1/2	1/2	1	1/8	1-1/8	4-3/4	None	Concave
703016	CW	11 x 9	11-15/16	9-1/2	1/2	1	2-1/8	1-1/8	4-3/4	None	Convex
70-24041-01	CW	12 x 11	12-3/4	11-1/8	1/2	1	1/8	1-1/8	5-9/16	None	Concave
70-24119-01	CW	12 x 7	12-3/4	7	1/2	1	1/8	1-1/8	3-1/2	None	Concave
70-24179-01	CW	12 x 11	12-25/32	11-1/8	1/2	1	2-5/16	1-1/8	5-9/16	None	Convex
70-103207-01	CW	12 x 7	12-7/8	7	1/2	1	2-1/8	1	3-1/2	None	Convex
PD706266	CW	12 x 9	12-7/8	9-1/2	1/2	1	2-1/8	1-1/8	4-3/4	None	Convex
70-17426-02	CW	12 x 9	13-3/16	9-1/2	1/2	1	2	1-1/8	4-3/4	None	Convex



Blower Wheels – CCW

PART NO	ROTATION DIRECTION (FACING HUB)	NOMINAL SIZE (IN)	OVERALL DIAMETER DIM D (IN)	OVERALL WIDTH DIM W (IN)	NOM HUB BORE SHAFT SIZE DIM E (IN)	NO SET SCREWS	OUTSIDE EDGE OF DISC TO OUTSIDE EDGE OF HUB DIM A (IN)	HUB LENGTH DIM B (IN)	DISC SETBACK – OUTSIDE EDGE OF DISC TO END OF WHEEL OPPOSITE HUB DIM C (IN)	KEYWAY (IN)	DISC SHAPE (HUB SIDE)
70-40505-01	CCW	4 x 2-1/2	4	2-1/2	1/4	2	1	3/8	None	None	Convex
70-25121-08	CCW	9 x 7	9-1/2	7-1/8	1/2	1	1-3/4	1-1/8	3-9/16	None	Convex
70-19553-04	CCW	10 x 6	10-5/8	6-1/8	1/2	1	1/8	1-1/8	3-1/16	None	Concave
70-19810-01	CCW	10 x 7	10-5/8	7-1/8	1/2	1	1-7/8	1-1/8	3-9/16	None	Convex
70-23110-30	CCW	10 x 10	10-5/8	10-3/4	1/2	1	1/8	1-3/16	5-3/8	None	Concave
70-23111-29	CCW	11 x 9	11-15/16	9-1/2	1/2	1	1/8	1-1/8	4-3/4	None	Concave

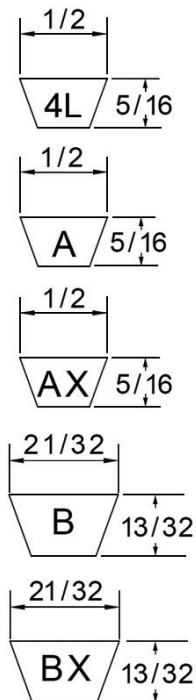
BLOWER WHEELS



Blower Wheels – Reversible

PART NO	ROTATION DIRECTION (FACING HUB)	NOMINAL SIZE (IN)	OVERALL DIAMETER DIM D (IN)	OVERALL WIDTH DIM W (IN)	NOM HUB BORE SHAFT SIZE DIM E (IN)	NO SET SCREWS	OUTSIDE EDGE OF DISC TO OUTSIDE EDGE OF HUB DIM A (IN)	HUB LENGTH DIM B (IN)	DISC SETBACK – OUTSIDE EDGE OF DISC TO END OF WHEEL OPPOSITE HUB DIM C (IN)	KEYWAY (IN)	DISC SHAPE (HUB SIDE)
70-18623-03	Reversible	10 x 7	10-5/8	7-3/16	3/4	2	1-11/16	3-15/32	3-5/8	None	Double Convex
70-41284-01	Reversible	10 x 8	10-5/8	8-1/8	1-3/16	4	1-11/16	3-27/64	4-1/16	None	Double Convex
70-23589-01	Reversible	10 x 10	10-5/8	10-11/16	3/4	2	1-5/8	3-17/32	5-11/32	None	Double Convex
70-21773-01	Reversible	11 x 10	11-15/16	10-3/4	3/4	2	1-7/8	3-3/4	5-3/8	None	Double Convex
70-41512-02	Reversible	12 x 12	12-7/8	12-7/8	1	4	1-13/16	3-5/8	6-7/16	None	Double Convex
70-40514-01	Reversible	12 x 11	13-3/16	11-1/8	3/4	4	1-13/16	3-5/8	5-9/16	None	Double Convex
70-40514-02	Reversible	12 x 12	13-3/16	12-5/8	3/4	4	2	3-19/32	6-5/16	None	Double Convex
70-40514-04	Reversible	12 x 15	13-3/16	15	1	2	1-13/16	3-5/8	7-1/2	None	Double Convex
70-21037-02	Reversible	15 x 9	15	9-1/2	1	2	2	4	4-3/4	.25 x .12	Double Convex
70-42540-02	Reversible	15 x 15	15	15	1	2	2-5/32	4-5/16	7-1/2	None	Double Convex
70-42212-02	Reversible	15 x 11	15-1/16	11-1/8	1	4	2-1/8	4-1/4	5-9/16	None	Double Convex
70-42682-02	Reversible	18 x 15	18-17/32	15	1	2	2-1/2	5	7-1/2	.25 x .12	Double Convex
70-42682-01	Reversible	18 x 18	18-17/32	18	1	2	2-1/2	5	9	.25 x .12	Double Convex
70-42564-02	Reversible	18 x 9	18-5/8	9	1	2	2-1/2	5	9	None	Double Convex
70-42284-02	Reversible	18 x 15	18-5/8	15	1	2	2-1/2	5	7-1/2	None	Double Convex

V-BELTS



PART NO	INDUSTRY BELT CODE	OUTSIDE LENGTH (IN)	WIDTH (IN)	HEIGHT (IN)	PITCH (DEGREES)
71-17033-37	4L-370	37	1/2	5/16	42
71-17033-39	4L-390	39	1/2	5/16	42
71-17033-45	4L-450	45	1/2	5/16	42
71-17033-48	4L-480	48	1/2	5/16	42
71-17033-49	4L-490	49	1/2	5/16	42
71-17033-50	4L-500	50	1/2	5/16	42
71-17033-51	4L-510	51	1/2	5/16	42
71-17033-53	4L-530	53	1/2	5/16	42
71-17033-54	4L-540	54	1/2	5/16	42
71-17033-55	4L-550	55	1/2	5/16	42
71-17033-57	4L-570	57	1/2	5/16	42
71-40235-38	A38	40	1/2	5/16	42
71-40235-39	A39	41	1/2	5/16	42
71-40235-40	A40	42	1/2	5/16	42
71-40235-41	A41	43	1/2	5/16	42
71-40235-42	A42	44	1/2	5/16	42
71-40235-43	A43	45	1/2	5/16	42
71-40235-44	A44	46	1/2	5/16	42
71-40235-48	A48	50	1/2	5/16	42
AX32	AX32	34	1/2	5/16	42
AX35	AX35	37	1/2	5/16	42
AX43	AX43	45	1/2	5/16	42
BP40	B40	43	21/32	13/32	42
71-40438-16	B44	47	21/32	7/16	42

(continued on next page)

V-BELTS



PART NO	INDUSTRY BELT CODE	OUTSIDE LENGTH (IN)	WIDTH (IN)	HEIGHT (IN)	PITCH (DEGREES)
71-40438-17	B45	48	21/32	7/16	42
71-40438-20	B48	51	21/32	7/16	42
71-40438-22	B50	53	21/32	7/16	42
71-40438-23	B51	54	21/32	7/16	42
71-40438-24	B52	55	21/32	7/16	42
71-40438-27	B55	58	21/32	7/16	42
71-40438-29	B57	60	21/32	7/16	42
71-40438-30	B58	61	21/32	7/16	42
71-40438-31	B59	62	21/32	7/16	42
71-40438-32	B60	63	21/32	7/16	42
71-40438-33	B61	64	21/32	7/16	42
71-40438-34	B62	65	21/32	7/16	42
71-40438-35	B63	66	21/32	7/16	42
71-40438-36	B64	67	21/32	7/16	42
71-40438-37	B65	68	21/32	7/16	42
71-40438-38	B66	69	21/32	7/16	42
71-40438-39	B67	70	21/32	7/16	42
71-40438-42	B70	73	21/32	7/16	42
71-40438-43	B71	74	21/32	7/16	42
71-40438-46	B74	77	21/32	7/16	42
71-40438-51	B79	82	21/32	7/16	42
71-40438-54	B82	85	21/32	7/16	42
BX36	BX36	39	21/32	13/32	42
BX53	BX53	56	21/32	13/32	42
BX62	BX62	65	21/32	13/32	42
71-102847-01	BX82	85	21/32	7/16	42

SHEAVES/PULLEYS



Sheaves/Pulleys – Fixed

PART NO	BORE (IN)	OUTER DIA (IN)	PITCH DIA 4L, A BELT (IN)	HUB LENGTH (IN)	KEYSEAT (IN)	NO OF BELTS
71-100772-02	3/4	5.75	5.5	1.156	3/16 x 3/32	1
71-100772-03	3/4	6.45	6.2	1.156	3/16 x 3/32	1
71-100772-04	3/4	6.95	6.7	1.156	3/16 x 3/32	1
71-41901-27	3/4	7.25	6.7	1.450	3/16 x 3/32	1
71-41901-28	3/4	8.25	7.7	1.500	3/16 x 3/32	1
71-41901-23	3/4	9.00	8.0	1.600	3/16 x 3/32	1
71-41901-14	3/4	9.25	8.5	1.500	3/16 x 3/32	1
71-41901-29	3/4	9.25	8.7	1.475	3/16 x 3/32	1
71-41901-24	3/4	9.75	9.0	1.465	3/16 x 3/32	1
71-41901-30	3/4	10.25	9.7	1.482	3/16 x 3/32	1
71-41901-09	3/4	12.00	11.8	1.150	3/16 x 3/32	1
71-42539-04	1	6.25	—	1.156	1/4 x 1/8	1
71-26254-84	1	6.25	5.5	1.280	1/4 x 1/8	1
71-26254-81	1	6.95	6.2	1.280	1/4 x 1/8	1
71-26254-86	1	8.25	7.5	1.280	1/4 x 1/8	1
71-42539-03	1	8.75	—	1.469	1/4 x 1/8	1
71-42539-01	1	9.25	—	1.469	1/4 x 1/8	1
71-100774-89	1	9.75	9.0	1.280	1/4 x 1/8	1
71-41901-13	1	9.75	9.0	1.500	1/4 x 1/8	1
71-100774-88	1	10.25	9.5	1.280	1/4 x 1/8	1

(continued on next page)

SHEAVES/PULLEYS

Sheaves/Pulleys – Fixed CONTINUED



PART NO	BORE (IN)	OUTER DIA (IN)	PITCH DIA 4L, A BELT (IN)	HUB LENGTH (IN)	KEYSEAT (IN)	NO OF BELTS
71-100775-03	1	11.75	11.0	1.530	1/4 x 1/8	1
71-100774-87	1	11.75	11.0	1.280	1/4 x 1/8	1
71-100774-86	1	12.75	12.0	1.280	1/4 x 1/8	1
710001	1-5/8	10.75	10.0	1.250	1/4 x 1/8	1
71-41901-19	1	9.75	9.0	1.600	1/4 x 1/8	2
71-41901-22	1	10.75	10.0	1.567	1/4 x 1/8	2
71-40433-35	2-7/8	11.50	—	1.769	1/2 x 3/16	2

Sheaves/Pulleys – Adjustable



PART NO	BORE (IN)	OUTER DIA (IN)	PITCH DIA 4L, A BELT (IN)	HUB LENGTH (IN)	KEYSEAT (IN)	NO OF BELTS
71-40427-41	5/8	3.15	1.9 / 2.9	1.905	3/16 x 3/32	1
71-40427-30	5/8	3.75	2.4 / 3.4	1.902	3/16 x 3/32	1
71-40427-29	5/8	4.15	2.8 / 3.8	1.900	3/16 x 3/32	1
71-40427-25	5/8	4.75	3.4 / 4.4	1.950	3/16 x 3/32	1
71-40427-43	5/8	5.35	4.0 / 5.0	1.950	3/16 x 3/32	1
71-42538-05	5/8	5.95	—	2.219	3/8 x 3/16	1
71-40427-54	5/8	6.55	5.2 / 6.2	1.906	3/16 x 3/32	1
71-42538-02	7/8	4.15	—	1.875	3/16 x 3/32	1
71-40427-17	7/8	4.75	3.4 / 4.4	1.875	3/16 x 3/32	1
71-40427-19	7/8	5.95	4.6 / 5.6	1.906	3/16 x 3/32	1
71-40427-05	7/8	6.00	4.2 / 5.2	1.656	3/16 x 3/32	1
71-40427-23	7/8	6.55	5.2 / 6.2	2.280	3/16 x 3/32	1
71-100851-15	1-1/8	4.15	2.8 / 3.8	1.875	1/4 x 1/8	1
71-42538-03	1-1/8	4.75	—	1.937	1/4 x 1/8	1
71-40427-04	1-1/8	5.35	4.0 / 5.0	1.875	1/4 x 1/8	1
71-40427-20	1-1/8	5.95	4.6 / 5.6	1.906	1/4 x 1/8	1
71-40427-06	1-1/8	6.00	4.2 / 5.2	1.656	1/4 x 1/8	1
71-40427-11	1-1/8	6.50	4.7 / 5.7	1.656	1/4 x 1/8	1
71-42538-04	1-3/8	6.00	—	1.656	5/16 x 5/32	1
71-40427-59	1-3/8	7.10	5.3 / 6.3	1.656	3/8 x 3/16	1
71-40427-60	1-3/8	7.50	5.7 / 6.7	1.656	3/8 x 3/16	1
71-40428-34	1-3/8	6.00	4.2 / 5.2	3.280	5/16 x 5/32	2
71-40428-24	1-3/8	6.55	5.2 / 6.2	2.972	5/16 x 5/32	2

BEARINGS

Bearings w/Cushion



PART NO	BORE SIZE (IN)	BEARING OUTER RACE DIA (IN)	BEARING OUTER RACE WIDTH (IN)	WIDTH INCL LOCKING COLLAR (IN)	BEARING CUSHION TYPE	BEARING TYPE
70-21036-05	3/4	1.653	0.472	0.969	Rectangular Strip	Std Mounted Unit w/Eccentric Locking Collar
70-41911-01	3/4	2.531	1.000	1.426	Cylindrical Sleeve	Std Mounted Unit w/Eccentric Locking Collar
70-21037-05	1	2.047 / 2.500	0.588	1.216	Cylindrical Sleeve	Std Mounted Unit w/Eccentric Locking Collar
70-41854-02	1	2.531	1.000	1.426	Cylindrical Sleeve	Std Mounted Unit w/Eccentric Locking Collar

Four-Bolt Flange Mounted Bearings



PART NO	BORE SIZE (IN)	BEARING OUTER RACE DIA (IN)	BEARING OUTER RACE WIDTH (IN)	WIDTH INCL LOCKING COLLAR (IN)	BEARING TYPE
70-40805-02	1	2.047	0.591	1.844	Four-Bolt Flange Mounted Unit w/Eccentric Locking Collar

BEARINGS



Pillow Block Mounted Bearing

PART NO	BORE SIZE (IN)	BEARING OUTER RACE DIA (IN)	BEARING OUTER RACE WIDTH (IN)	SHAFT CENTERLINE HGT FROM BASE (IN)	BEARING TYPE
70-40444-01	1-3/16	2.441	0.709	1.688	Pillow Block Mounted Unit w/Eccentric Locking Collar



Bearing Cushion

PART NO	DESCRIPTION
56-17414-01	Bearing Cushion - 5-3/8 in. x 15/16 in.



Bearing Tri-Arm Mounts

PART NO	BOLT CIRCLE DIA (IN)	BEARING OPENING DIA (IN)
70-42540-05	17	2-1/2
70-41723-03	12-5/16	2-1/2
70-41723-02	13	2-1/2
70-25034-01	11-3/8, 12-5/16, 14-5/16, 15-3/8, 16-3/42, or 18-7/16	For use with bearing kit 70-21036-05



Bearing Tri-Arm Mounts

PART NO	BOLT CIRCLE DIA (IN)	BEARING OPENING DIA (IN)
70-42284-04	17-5/8	2-1/2 (For use with bearing 70-41854-02)
70-42034-07	11-19/32	2-1/2 (For use with bearing 70-21037-05)

DUCT AIR BOOSTERS

Air Boosters provide improved air flow and distribution of conditioned air to “problem” rooms in homes and businesses. They provide a low cost alternative to zoning system or ducting

changes. They can also be wired to a wall switch to allow direct control of airflow by room occupants.



Duct Air Boosters (Round)

PART NO	VENDOR PART NO	DIA (IN)	APPLICATION DUCT SHAPE	APPLICATION DUCT MATERIAL	LENGTH (IN)	MAX ADD AIRFLOW (CFM)	RPM	VOLTAGE (V)	CURRENT (A)	MAX AIR TEMP (°F)	CASE QTY	CASE REQ
84-25253-01	RH-6	6	Round	Flex or Metal	7-1/4	240	3000	120	0.64	167	6	Yes
84-25253-02	RH-8	8	Round	Flex or Metal	7-1/4	420	3000	120	0.64	167	4	Yes
84-25253-03	RH-10	10	Round	Flex or Metal	8	650	1450	120	0.43	167	2	Yes
84-25253-04	RH-12	12	Round	Flex or Metal	8-3/4	1150	1500	120	1.00	167	1	—
84-25253-05	RH-14	14	Round	Flex or Metal	8-3/4	1500	1500	120	1.00	167	1	—



Duct Air Boosters (Round)

PART NO	VENDOR PART NO	DIA (IN)	APPLICATION DUCT SHAPE	APPLICATION DUCT MATERIAL	LENGTH (IN)	MAX ADD AIRFLOW (CFM)	RPM	VOLTAGE (V)	CURRENT (A)	MAX AIR TEMP (°F)	CASE QTY	CASE REQ
84-AB-4	AB-4	4	Round	Flex or Metal	7-1/2	80	3000	120	0.29	155	1	—
84-AB-5	AB-5	5	Round	Flex or Metal	7-1/2	165	3000	120	0.50	155	1	—
84-AB-6	AB-6	6	Round	Flex or Metal	7-1/2	225	3000	120	0.60	180	1	—
84-AB-8	AB-8	8	Round	Flex or Metal	7-1/2	425	3000	120	0.80	160	1	—
84-AB-10	AB-10	10	Round	Flex or Metal	8-1/8	600	1450	120	0.40	180	1	—
84-AB-12	AB-12	12	Round	Flex or Metal	8-1/8	1050	1500	120	1.10	180	1	—
84-AB-14	AB-14	14	Round	Flex or Metal	8-1/8	1400	1500	120	1.10	160	1	—



DUCT AIR BOOSTERS



Duct Air Boosters – Heavy Duty (Round or Square)

Can be mounted in round ducts 5 in. diameter and larger, or in rectangular or square ducts min. 4 in. wide and 3 in. high.



PART NO	VENDOR PART NO	APPLICATION DUCT SHAPE	APPLICATION DUCT MATERIAL	MAX ADDITIONAL AIRFLOW (CFM)	RPM	VOLTAGE (V)	CURRENT (A)	MAX AIR TEMP (°F)
84-AB-1	AB-1	Round or Square	Metal	305	1725	120	0.5	180



Duct Air Boosters (Round or Square)

Can be mounted in round ducts 6 in. diameter and larger, or in rectangular ducts min. 6 in. wide and 6 in. high



PART NO	VENDOR PART NO	APPLICATION DUCT SHAPE	APPLICATION DUCT MATERIAL	MAX ADDITIONAL AIRFLOW (CFM)	RPM	VOLTAGE (V)	CURRENT (A)	MAX AIR TEMP (°F)
84-AB-2	AB-2	Round or Square	Metal	220	3000	120	0.6	180

SMART FLOW ELBOW



A durable elbow support that works by forming flexible duct bends into smooth, flowing 90° elbows. Attaches to the outside of flexible duct with two cable ties quickly and easily. Works

with any diameter of flexible duct up to 16 inches. UL 2043 Classified.



PART NO	DESCRIPTION	CASE QTY	CASE REQ
630500	SMART Flow Elbow	25	Yes

AIR DIFFUSERS, GRILLES AND DAMPER BOXES



- Strong – professional grade polymers for long lasting durability
- Versatile – stepped collar tears off to enlarge duct size allowing job site flexibility
- Quiet – virtually air tight construction insures

- efficient and quiet air delivery
- One piece design eliminates the need for tedious mastic and external sealers and cuts attic time



PART NO	DESCRIPTION	CASE QTY	CASE REQ
6MV360	Round Grille/Damper Box (8 in. x 8 in. - 6, 7, or 8 in. ducts)	4	Yes
MV360S	Round Grille/Damper Box (6 in. x 6 in. - 4, 5, or 6 in. ducts)	6	Yes
MV3S	3-Way Grille/Damper Box (6 in. x 6 in. - 4, 5, or 6 in. ducts)	8	Yes
MV4	4-Way Grille/Damper Box (8 in. x 8 in. - 6, 7, or 8 in. ducts)	4	Yes
MV4S	4-Way Grille/Damper Box (6 in. x 6 in. - 4, 5, or 6 in. ducts)	8	Yes
MVAB	Black Antique Grille/Damper (8 in. x 8 in. - 6, 7, or 8 in. ducts)	4	Yes
MVASB	Black Antique Grille/Damper (6 in. x 6 in. - 4, 5, or 6 in. ducts)	8	Yes

ZONEX SYSTEM OVERVIEWS

Toll-Free Technical Support and Job Quoting: 800-228-2966
System Information: www.zonexsystems.com
Online Job Quoting: www.zonexcontrols.com – Quotes in one hour or less

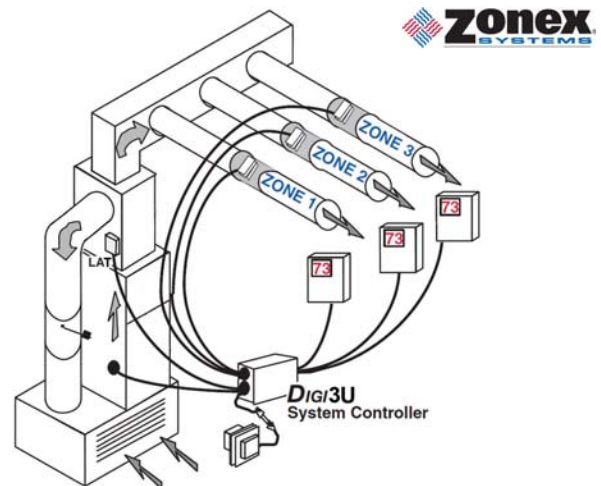


SYSTEM(S)	DIGITRACT 3	DIGITRACT 4	SAMOD (STAND ALONE)	SYSTEM 2000 GEN II	MODCOM COMMANDER, COMMANDER (PLUS)	RETRO ZONE
Number of Zones	2-3	2-4	1	2-17	1-80	1-80
Auto Changeover	Yes	Yes	Yes	Yes	Yes	Yes
Capacity Control	Yes	Yes	Yes	Yes	Yes	Yes
Heat Pump or Gas/Electric	Universal	HP: DTHP4A G/E: DTGE4A	Universal	Universal	Universal	Universal
Wiring Configuration	Home Run	Home Run	4-Wire	Daisy Chain	Twisted Pair	Twisted Pair
Damper Configuration	Round & Rect	Round & Rect	Round/Rect & D-Fuser	Round & Rect	Round & Rect	Uses Existing Dampers
Damper Movement	Two Position	Two Position	Modulating	Modulating	Modulating & 2-Position	Modulating & 2-Position
Damper Cap (in. W.C.)	0.5-1.75	0.5-1.75	1.75	0.5-1.75	0.5-1.75	Use Existing
Number of Cool Stages	1	1-5	—	2	1-5	1-5
Number of Heat Stages	1 G/E or HP w/ Aux. Heat	1-4 G/E or HP w/Aux Heat	—	2	2 (3 HP Stages w/DIGIHP)	1-4
Thermostat with Remote Sensor Capability	Yes	Yes	Yes	Yes	Yes	Yes
Remote Communication	Yes	Yes	No	No	Yes	Yes

Zonex DigiTract 3 (Residential Zoning – Single Stage)

The DigiTract 3 system is simple to install and operate. Enables up to three room thermostats to control a single HVAC system.

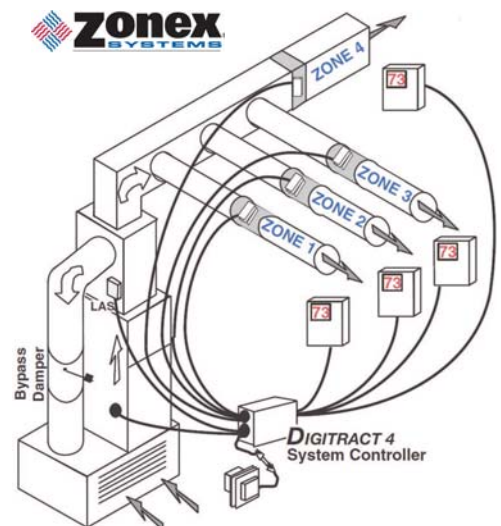
- Three zone capability
- 1H/1C gas/electric or 2H/1C heat pump controller
- Autochangeover
- For heat pump installations uses heat pump thermostat on primary zone and standard thermostats on other zones
- Purge mode operates fan upon satisfaction of all calls to allow supply air adjust to room temperature and prevent short cycling
- Simple to install and operate
- Fan control from any thermostat
- Easy to install and operate
- Optional capacity control (LAT) sold separately
- Round or rectangular supply and bypass dampers
- Simple home run wiring; 24V system



Zonex DigiTract 4 (Residential Zoning – Single or Two Stage)

The DigiTract 4 enables up to four room thermostats to control a single HVAC system, permitting superior temperature control over a standard single thermostat. DigiTract is very easy to install and operate. It is also perfect for small commercial systems.

- Four zone capability
- 2H/2C gas/electric or 3H/2C heat pump controller
- Includes integrated fossil fuel control for dual fuel applications
- Autochangeover
- Initiate heating or cooling from any zone thermostat
- Purge mode operates fan upon satisfaction of all calls to allow supply air adjust to room temperature and prevent short cycling
- Adjustable changeover from 5-25 minutes
- Remote communications available – can be integrated with ZonexCommander system
- Ventilation mode allows fan to be energized from any zone thermostat
- On-board adjustable capacity control protects compressor/heat exchanger
- Round or rectangular supply and bypass dampers
- Simple home run wiring; 24V system

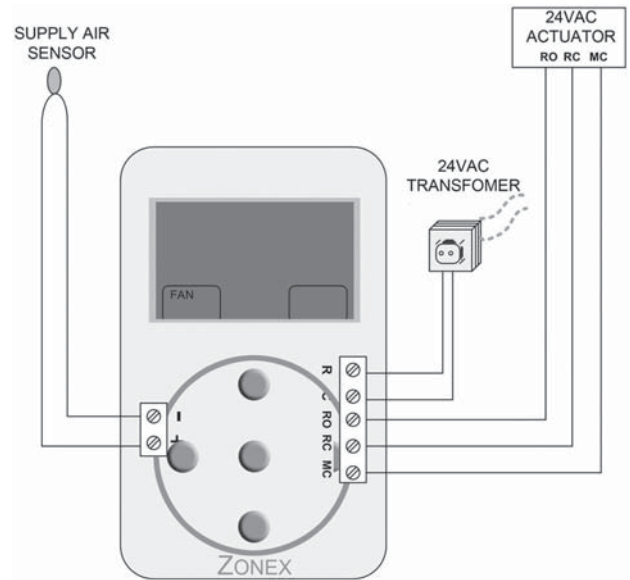


ZONEX SYSTEM OVERVIEWS

Zonex SAMOD (Stand-alone)

The SAMOD is a direct digital control auto changeover thermostat that is designed to control and modulate a stand-alone D-FUSER or damper in commercial applications. Designed for overconditioned areas, the thermostat senses the duct temperature and compares it to the heat/cool setpoints vs. room temperature and modulates the damper for the correct volume of air. The thermostat includes a duct sensor installed upstream of the damper and sends the duct temperature to the SAMOD.

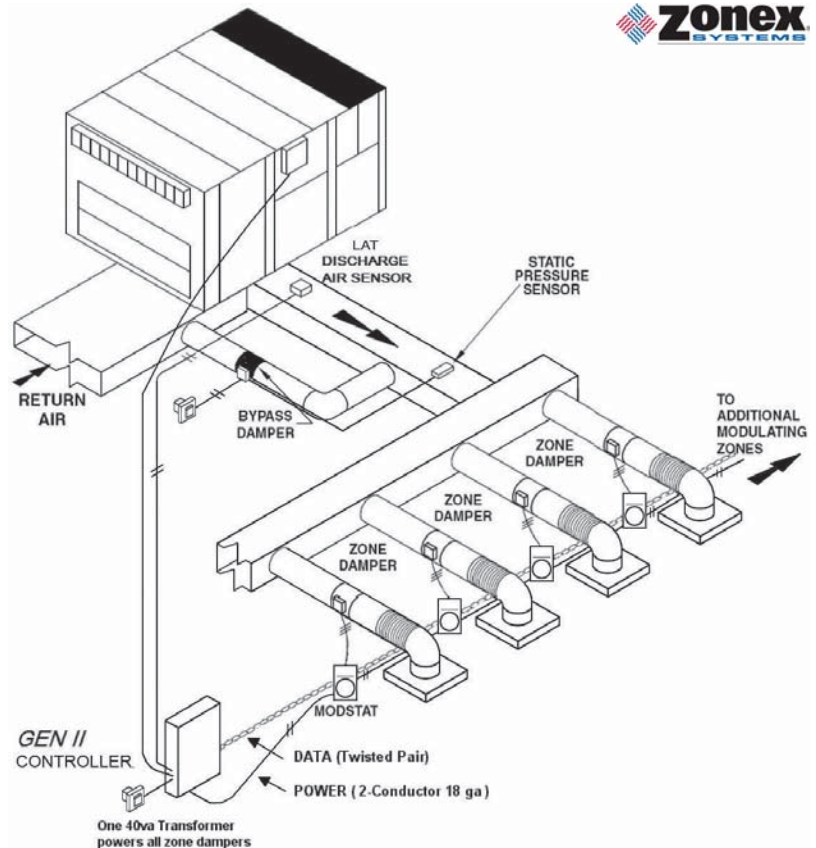
- Provides fully modulating control
- Changeover duct sensor included
- Auto changeover operation
- Digital push button temperature setting
- Easy-to-read digital display
- Temperature range: 54-86°F
- 24VAC
- Dimensions: 2-7/8 in. W x 4-1/2 in. H x 1 in. D
- No batteries required
- Non-volatile memory
- Slave up to three dampers off each thermostat
- Available with remote sensor
- Auxiliary heat control available



Zonex System 2000 GEN II

The System 2000 GEN II is a commercial control system that controls a single HVAC unit and supports 2-17 modulating zones. GEN II is recognized as the Industry's easiest zone control system to install and wire. Modulating dampers operate over an unshielded two-wire data link, along with 24V power, all daisy chained from stat to stat with no home run wiring. One 40 VA transformer powers all zone dampers in the system.

- Universal for gas/electric or heat pump units
- Auto changeover operation
- Selectable priority at each stat
- Night setback included
- Two-hour override
- Lock stats remotely
- Startup diagnostic to speed installation
- No home run wiring
- No computer required



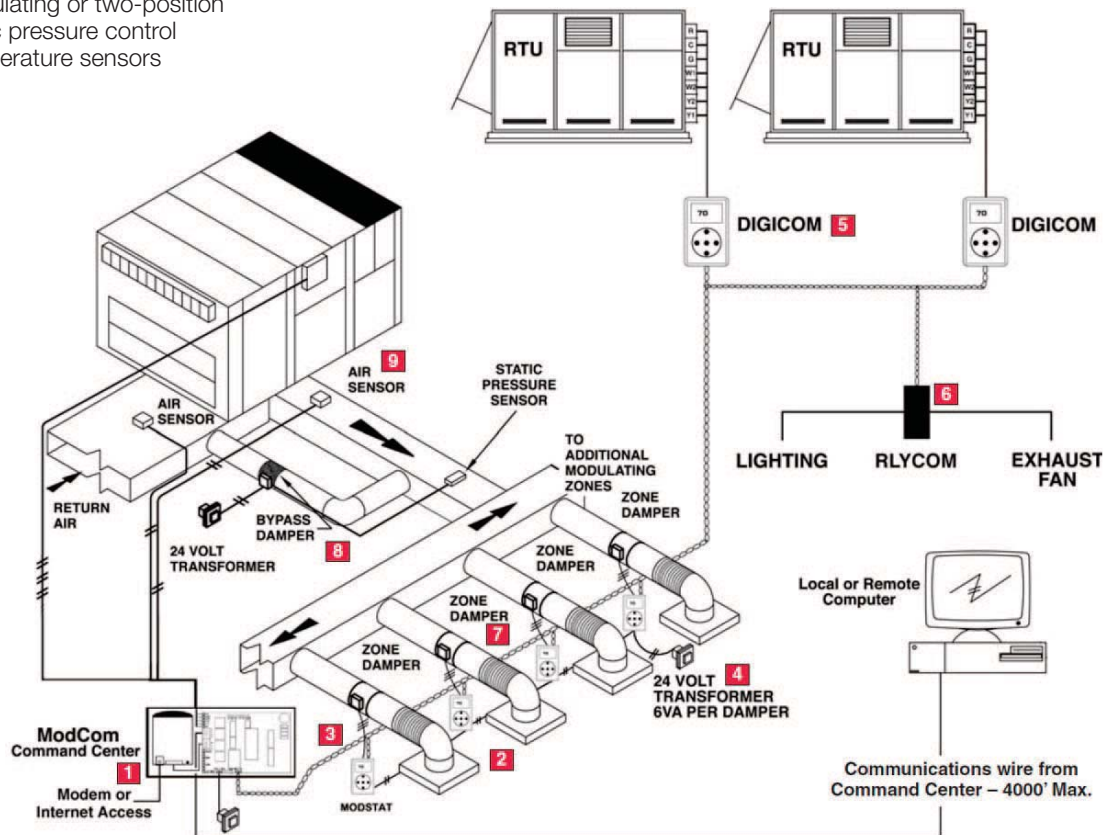
ZONEX SYSTEM OVERVIEWS

Zonex MODCOM

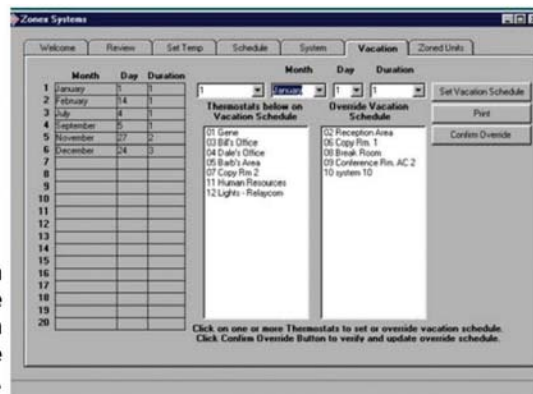


A communicating Windows-based DDC system. The command center controls gas/electric or heat pump equipment and supports up to 20 thermostats. Controls modulating or two-position dampers, stand-alone HVAC equipment and auxiliary equipment such as exhaust fans, lighting and other generic loads or on/off devices. Includes simple Windows-based scheduling program. Can be used to easily upgrade older VVT, VVHC or other zoning systems utilizing their existing dampers and wiring.

- MODCOM – Command Center
- MODSTAT – Wall Controls
- Twisted pair communication wire (use Belden 8740)
- Transformer to power dampers 2 VA per damper
- DIGICOM – Thermostat to control stand-alone HVAC equipment
- RLYCOM – Controls and schedules lights, ventilation, etc.
- Zone dampers – Fully modulating or two-position
- Bypass dampers with static pressure control
- Leaving and return air temperature sensors



Select vacation dates and override schedules for each thermostat in the system.



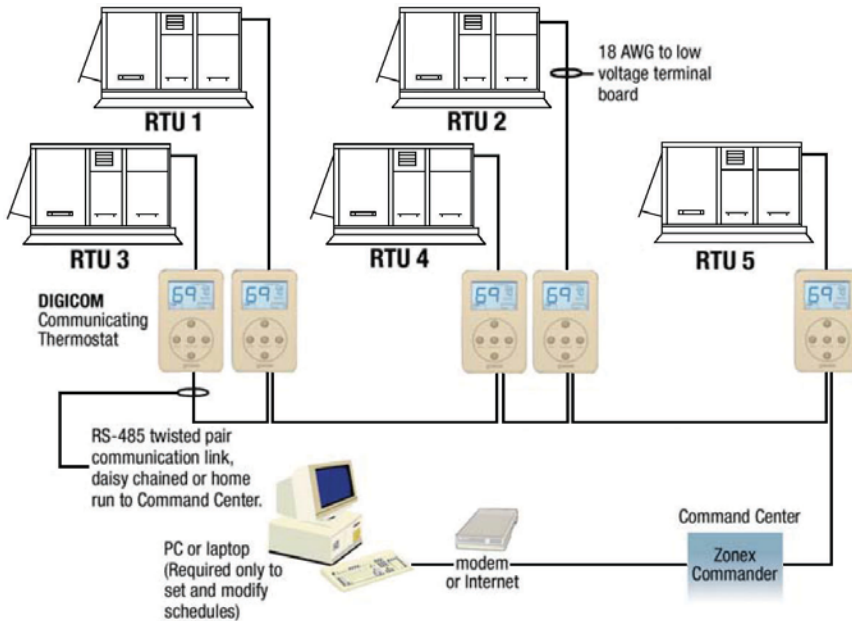
ZONEX SYSTEM OVERVIEWS



Zonex Commander

Communicates remotely with 1-80 rooftops or split systems, filling a large and profitable void between programmable thermostats and energy management systems. The system incorporates one of the industry's most basic Windows-based software providing internet access with every thermostat or unit in the system. Return and discharge air temperatures are also viewed remotely. Additionally, signage, parking lot lights, exhaust fans or other devices can be controlled and scheduled remotely or on-site.

- On-site or off-site control of all mechanical equipment
- Program each thermostat individually or all globally
- Schedule up to four events per day
- All thermostats are 2H/2C
- Communicating heat pump stats also available
- Set and lock all thermostats remotely via software
- Remotely monitor system performance with time and date stamp
- Remotely read out Discharge Air Temp, Return Air Temp and Outside Air Temp
- Control and schedule exhaust fans, parking lot lights, and outdoor signage
- Auxiliary contacts on thermostat to control hot water coil in VAV box
- Pre-program up to 20 individual holidays with one- to thirty-day duration
- Effective management of your HVAC equipment and energy usage
- Powerful diagnostic tool for the contractor
- Easy-to-use Windows-based software



Just point and click to change schedules, setpoints, operating times, and much more.

Communicating with 20 Thermostats	Current Room Temp	Occupied Setpoints Heat	Occupied Setpoints Cool	Unoccupied Setpoints Heat	Unoccupied Setpoints Cool
1 RTU #1	75	71	76	64	82
2 RTU #2	74	70	76	64	82
3 RTU #3	73	70	76	64	82
4 RTU #4	74	70	76	64	82
5 RTU #5	74	70	76	64	82
6 RTU #6	74	68	76	64	82
7 RTU #7	74	70	76	64	82
8 RTU #8	73	70	76	64	82
9 RTU #9	73	70	76	64	82
10 RTU #10	73	70	76	64	82
11 RTU #11	73	70	76	64	82
12 RTU #12	73	70	76	64	82
13 RTU #13	73	70	76	64	82
14 RTU #14	73	70	76	64	82
15 RTU #15	72	70	76	64	82
16 RTU #16	72	70	76	64	82
17 RTU #17	72	70	76	64	82
18 RTU #18	72	70	76	64	82
19 RTU #19	73	70	76	64	82
20 RTU #20	73	70	76	64	82

Display or modify real time data for every thermostat and unit in the system.

Remotely display and modify all thermostat settings.

The system provides all the features of the latest programmable thermostat, yet allows for remote setpoint modification instantly.

Select Thermostat	Day Occupied	Day Unoccupied	Night Occupied	Night Unoccupied
Monday	7:00A	11:55A	1:30P	6:30P
Tuesday	7:00A	11:55A	1:30P	6:30P
Wednesday	7:00A	11:55A	1:30P	6:30P
Thursday	7:00A	11:55A	1:30P	6:30P
Friday	7:00A	11:55A	1:30P	6:30P
Saturday	9:00A	NC	NC	4:30P
Sunday	7:00A	NC	NC	4:30P

7-Day scheduling capability per stat.

Energy savings are maximized via Zonex-Commander's ability to schedule different start/stop times for each unit.

ZONEX SYSTEM OVERVIEWS

Zonex Commander (Plus)

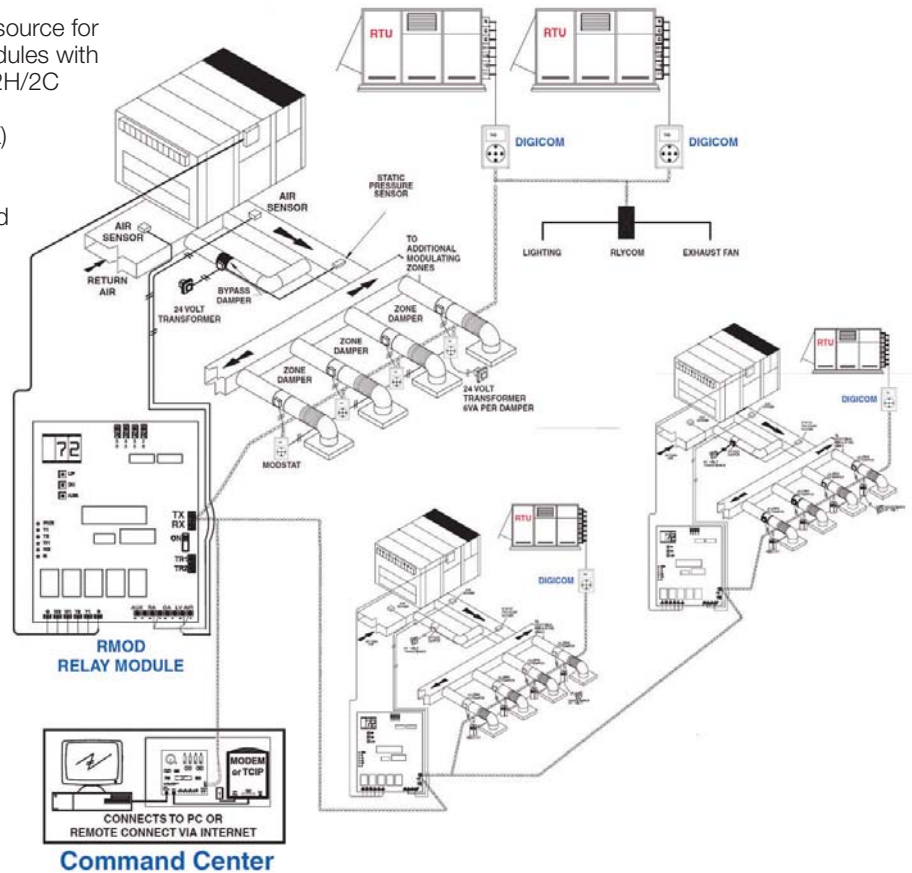


Designed to centralize control of multiple constant volume VAV systems. Communicates remotely or on-site with gas/electric or heat pump, stand-alone rooftop units and zone systems. Displays S/A and R/A temperatures and controls and schedules external devices such as exhaust fans, parking lot lights, etc., through the RELAYCOM, all located on unique 2-wire communications link.

- ZNXPLUS command center provides a central source for communication and control of up to 4 relay modules with 20 modulating zones and control of up to four 2H/2C HVAC systems
- Up to three additional command centers (CZNX) can be added for control of 16 zoned units and 80 thermostats or devices
- Command center stores system information and scheduling in its non-volatile memory



Thermostats are assigned to their respective relay module and its corresponding HVAC unit from the zoned units pages.



Zonex RetroZone



RetroZone is designed specifically for retrofitting outdated VVT type systems without replacing the dampers.

- Update VVT systems Generation I or II
- Retrofit old Omnizone systems
- Solve the old parts dilemma on VVT systems
- Update obsolete systems without removing the dampers!
- Add tremendous flexibility and control to older systems
- Upgrade out-of-date systems to Zonex Systems:
 - System 2000 GEN II
 - MODCOM
 - Commander
 - Commander (Plus)

PRIMARY CONTROLLERS FOR ZONEX SYSTEMS



DIGI3UE (DigiTract 3)

Controller for DigiTract 3 system.

PART NO	DESCRIPTION
DIGI3UE	Controller (DigiTract 3)
DIGI3UEL	Controller (DigiTract 3) w/LAT Sensor



DTHP4A (DigiTract4 – Heat Pump)

Controller for DigiTract 4 system for heat pump applications.

PART NO	DESCRIPTION
DTHP4A	Controller - Heat Pump (DigiTract 4)



DTGE4A (DigiTract4 – Gas/Electric)

Controller for DigiTract 4 system for gas/electric applications.

PART NO	DESCRIPTION
DTGE4A	Controller - Gas/Electric (DigiTract 4)

GENII (System 2000 GEN II)

Controller for System 2000 GEN II system.

PART NO	DESCRIPTION
GENII	Controller (System 2000 GEN II)

CMOD (MODCOM)

Provides a central source for communications and control of up to 20 MODSTAT controllers on a single HVAC system. Includes the command center only, with no modem or operating software. CMOD Command Center expands the system to control an additional 20 communicating system devices.

PART NO	DESCRIPTION
CMOD	Command Center (MODCOM)

MODCC (MODCOM)

Includes the CMOD, plus configured modem, system operating program, three HDLAS sensors, and cables. Also includes onboard staging and digital capacity control.

PART NO	DESCRIPTION
MODCC	Command Center (MODCOM) w/Components

101MUX (MODCOM, Commander, Commander (Plus))

Four-channel multiplexer used when more than one Command Center is required on any of the Commander DDC systems. Provides communications of two to four command centers. Each command center is a separate communication loop and is viewed using the Commander software. Can be connected directly to a Windows based computer or remotely accessed using the command center's modem.

PART NO	DESCRIPTION
101MUX	Multiplexer

TCIP (MODCOM, Commander, Commander (Plus))

An external Ethernet server device designed to connect the zoning system through the internet or Ethernet networks. Interfaces the serial RS232 connection using TCIP/IP protocol.

PART NO	DESCRIPTION
TCIP	Network Device



PRIMARY CONTROLLERS FOR ZONEX SYSTEMS

101CEC (Commander)

Microprocessor based, digital communicating controllers; includes a modem, cables, outside air sensor, and system operating software. Communicates and controls up to 20 communicating system devices such as the DIGICOM and DIGIHP thermostats and RLYCOM communicating relay modules.

PART NO	DESCRIPTION
101CEC	Command Center (Commander)

101COMC (Commander)

Adds 20 more communicating system devices for larger systems. Requires 101MUX multiplexer or utilizes an additional CETCIP.

PART NO	DESCRIPTION
101COMC	Command Center (Commander)



CETCIP (Commander)

Includes the 101CEC command center and TCIP network device.

PART NO	DESCRIPTION
CETCIP	Communications Package (Commander)

ZNXPLUS (Commander (Plus))

Command center including modem, cables, outside air sensor, and system operating software. Communicates and controls up to four RMOD modules with up to 20 communicating system devices including MODSTAT, DIGICOM, DIGIHP, and RLYCOM.

PART NO	DESCRIPTION
ZNXPLUS	Command Center Communications Package (Commander Plus)

CZNX (Commander (Plus))

Consists of the ZNXPLUS without software and modem for use when an application requires more than four RMOD modules or 20 devices. Adds up to four more RMOD modules with up to 20 more communicating system devices.

PART NO	DESCRIPTION
CZNX	Command Center (Commander (Plus))



RMOD (Commander (Plus))

Digital communicating relay module for control of a zoned 2H/2C gas/electric unit or 3H/2C heat pump unit. Manages up to 20 zone thermostats.

PART NO	DESCRIPTION
RMOD	Relay Module

WALL CONTROLLERS FOR ZONEX SYSTEMS



DIGICOM (DigiTract 4, MODCOM, Commander, Commander (Plus))



Autochangeover 2H/2C communicating stand-alone thermostat.

PART NO	DESCRIPTION
DIGICOM	Thermostat - Zonex
RS	Remote Sensor (DIGICOM)

WALL CONTROLLERS FOR ZONEX SYSTEMS



DIGIHP (DigiTract 4, MODCOM, Commander, Commander (Plus))



Autochangeover 2H/2C digital communicating heat pump thermostat. Shipped for O mode reversing valve operation but may be field-configured for B operation.

PART NO	DESCRIPTION
DIGIHP	Thermostat – Zonex



SAMOD

Stand-alone modulating thermostat that includes a duct sensor that is installed upstream of the damper or DFUSER and sends the duct temperature to the thermostat via 2-wire communication. Also available with a remote sensor.

PART NO	DESCRIPTION
SAMOD	Stand Alone Zone Thermostat
SAMODRS	Stand Alone Zone Thermostat w/Remote Sensor

AXMOD (SAMOD)

Includes all the features of the SAMOD and includes a 24VAC output to energize an auxiliary heat source for perimeter or duct heating options. Also available with a remote sensor.

PART NO	DESCRIPTION
AXMOD	Stand Alone Zone Thermostat w/Auxiliary Heat Contact
AXMODRS	Stand Alone Zone Thermostat w/Auxiliary Heat Contact & Remote Sensor



MODSTAT (MODCOM, Commander (Plus))

Autochangeover communicating zone thermostat for control of modulating dampers.

PART NO	DESCRIPTION
MODSTAT	Thermostat - Zonex

ACCESSORIES FOR ZONEX SYSTEMS



LAT (DigiTract 3)



Leaving air sensor can be wired into the system to provide high and low temperature limits for compressor and heat exchanger protection.

PART NO	DESCRIPTION
LAT	Leaving Air Temperature Capacity Control (DigiTract 3)

GCLK (System 2000 GEN II)

24VAC 7-day programmable time clock used to enable the control system to operate with the "Global" occupied and unoccupied schedules. Powered by controller power supply and includes back-up battery for up to 100 hours.

PART NO	DESCRIPTION
GCLK	Time Clock



ACCESSORIES FOR ZONEX SYSTEMS



RLYCOM (MODCOM, Commander (Plus))

Communicating relay module for programmed On/Off scheduled control for auxiliary devices such as blowers, fans, lighting, etc.

PART NO	DESCRIPTION
RLYCOM	Relay Module



SENDCOM (MODCOM, Commander, Commander (Plus))

Each stand-alone HVAC system requires a SENDCOM to display the supply and return temperature for that particular system.

PART NO	DESCRIPTION
SENDCOM	Communicating Air Sensor

DAMPERS FOR ZONEX SYSTEMS



ZONE DAMPERS (LOW PRESSURE)



TR (Rectangular) Series Done Dampers – Bottom Mount

- Fabricated with an extruded aluminum frame, which provides maximum rigidity
- All opposed blade shafts are fully enclosed in nylon bushings to reduce friction and ensure quiet operation
- High density rubber gasket affords an efficient seal to minimize blade to frame leakage
- Features 24VAC full-stall motors which do not require use of end switches to terminate travel
- Equipped with a damper relay board
- Simple slide-in installation; motors are easily removed for shaft and pin inspection
- Can be paralleled to provide additional CFM capacity when required
- Low pressure; 0.5 in. W.C. maximum pressure differential
- Spring open, power close; 90° stroke/travel
- System compatibility: DigiTract 3, DigiTract 4, SAMOD

PART NO	DAMPER TYPE	SHAPE	DAMPER CONFIG	DUCT OPENING WIDTH (IN)	DUCT OPENING HGT (IN)
TR18X8BM	Zone	Rectangular	Opposed Blade	18	8
TR24X8BM	Zone	Rectangular	Opposed Blade	24	8



TR (Round) Series Zone Dampers

- Fabricated from heavy gauge steel (24 gauge for 6-10 in., 22 gauge for 12-16 in.); each cylinder features three rolled beads to provide maximum structural integrity
- Positive air seal is accomplished without gaskets, linkages or set screw adjustment
- Features 24VAC full-stall motors which do not require use of end switches to terminate travel
- Equipped with a motor terminal board, which also provides a damper closed LED indicator
- Damper motors are easily removed for damper shaft and gear inspection; each actuator hat section is insulated to prevent condensation
- Can be paralleled to provide additional CFM capacity when required
- Low pressure; 0.5 in. W.C. max. press. diff.
- Spring open, power close; 90° stroke/travel
- System compatibility: DigiTract 3, DigiTract 4

PART NO	DAMPER TYPE	SHAPE	DAMPER CONFIG	DUCT OPENING DIA (IN)	LENGTH (IN)	CLEARANCE WIDTH (IN)
TR06	Zone	Round	Round Blade	6	10	10-1/4
TR07	Zone	Round	Round Blade	7	10	11-1/4
TR08	Zone	Round	Round Blade	8	10	12-1/4
TR09	Zone	Round	Round Blade	9	11	13-1/4
TR10	Zone	Round	Round Blade	10	12	14-1/4
TR12	Zone	Round	Round Blade	12	14	16-1/4
TR14	Zone	Round	Round Blade	14	16	18-1/4
TR16	Zone	Round	Round Blade	16	18	20-1/4

DAMPERS FOR ZONEX SYSTEMS

ZONE DAMPERS (LOW PRESSURE)



TREC Series Zone Dampers

- Fabricated from galvanized steel frame with a heavy-duty front plate
- Damper blade shafts fully enclosed in Celcon bushings reduces friction, ensures quiet operation
- High density foam rubber gasket with a welded galvanized angle affords an efficient seal to minimize blade to frame leakage
- Features 24VAC full-stall motors which do not require use of end switches to terminate travel
- Equipped with a motor terminal board, which also provides a damper closed LED indicator
- Simple slide-in installation; motors are easily removed for shaft and pin inspection
- Can be paralleled to provide additional CFM capacity when required
- Low pressure; 0.5 in. W.C. max. press. diff.
- Spring open, power close; 90° stroke/travel
- System compatibility: DigiTract 3, DigiTract 4

PART NO	DAMPER TYPE	SHAPE	DAMPER CONFIG	DUCT OPENING WIDTH (IN)	DUCT OPENING HGT (IN)
TREC8X8	Zone	Rectangular	Single Blade	8	8
TREC10X8	Zone	Rectangular	Single Blade	10	8
TREC10X10	Zone	Rectangular	Single Blade	10	10
TREC12X8	Zone	Rectangular	Single Blade	12	8
TREC12X10	Zone	Rectangular	Single Blade	12	10
TREC12X12	Zone	Rectangular	Single Blade	12	12
TREC14X8	Zone	Rectangular	Single Blade	14	8
TREC14X10	Zone	Rectangular	Single Blade	14	10
TREC14X12	Zone	Rectangular	Single Blade	14	12
TREC16X8	Zone	Rectangular	Single Blade	16	8
TREC16X10	Zone	Rectangular	Single Blade	16	10
TREC16X12	Zone	Rectangular	Single Blade	16	12
TREC18X8	Zone	Rectangular	Single Blade	18	8
TREC18X10	Zone	Rectangular	Single Blade	18	10
TREC18X12	Zone	Rectangular	Single Blade	18	12
TREC20X8	Zone	Rectangular	Single Blade	20	8
TREC20X10	Zone	Rectangular	Single Blade	20	10
TREC20X12	Zone	Rectangular	Single Blade	20	12
TREC22X8	Zone	Rectangular	Single Blade	22	8
TREC24X8	Zone	Rectangular	Single Blade	24	8
TREC24X10	Zone	Rectangular	Single Blade	24	10
TREC24X12	Zone	Rectangular	Single Blade	24	12
TREC26X8	Zone	Rectangular	Single Blade	26	8
TREC26X10	Zone	Rectangular	Single Blade	26	10



DAMPERS FOR ZONEX SYSTEMS

ZONE DAMPERS (LOW PRESSURE)



TREC Series Zone Dampers – Bottom Mount

- Fabricated from galvanized steel frame with a heavy-duty bottom plate
- Damper blade shafts are fully enclosed in Celcon bushings to reduce friction and ensure quiet operation
- High density foam rubber gasket with a welded galvanized angle affords an efficient seal to minimize blade to frame leakage
- Motor and shaft are internally enclosed within the damper assembly
- Features 24VAC full-stall motors which do not require end switches to terminate travel
- Equipped with a field wiring terminal board, accessed from the bottom plate with a red LED to indicate when the damper is being powered closed
- Simple slide-in installation; motors are easily removed for shaft and pin inspection
- Can be paralleled to provide additional CFM capacity when required
- Low pressure; 0.5 in. W.C. maximum pressure differential
- Spring open, power close; 90° stroke/travel
- System compatibility: DigiTract 3, DigiTract 4

PART NO	DAMPER TYPE	SHAPE	DAMPER CONFIG	DUCT OPENING WIDTH (IN)	DUCT OPENING HGT (IN)
TREC10X8BM	Zone	Rectangular	Single Blade	10	8
TREC12X8BM	Zone	Rectangular	Single Blade	12	8
TREC14X8BM	Zone	Rectangular	Single Blade	14	8
TREC16X8BM	Zone	Rectangular	Single Blade	16	8
TREC18X8BM	Zone	Rectangular	Single Blade	18	8
TREC18X10BM	Zone	Rectangular	Single Blade	18	10
TREC20X8BM	Zone	Rectangular	Single Blade	20	8
TREC20X10BM	Zone	Rectangular	Single Blade	20	10
TREC24X8BM	Zone	Rectangular	Single Blade	24	8

ZONE DAMPERS (MEDIUM PRESSURE)



STMRTD Series Zone Dampers (Modulating)

- Fabricated from heavy-duty extruded aluminum frame, to provide maximum rigidity
- All opposed blade shafts pivot in nylon bushings to reduce friction and ensure quiet operation
- High density rubber gasket affords an efficient seal to minimize blade to frame leakage
- Actuator is installed on the Height dimension unless the damper is ordered as Bottom Mount, which will put the actuator on the Width dimension
- “Cut-in” style damper, which is designed to slide into the rectangular supply duct
- Minimum open and close positions can be manually adjusted on the actuator for air balance requirements
- Can be paralleled to provide additional CFM capacity when required
- Medium pressure; 1.0 in. W.C. maximum pressure differential
- Power open, power close; 90° stroke/travel
- System compatibility: SAMOD, System 2000 GEN II, MODCOM, COMMANDER (Plus)

PART NO	DAMPER TYPE	SHAPE	DAMPER CONFIG	DUCT OPENING WIDTH (IN)	DUCT OPENING HGT (IN)
STMRTD8X8BM	Zone	Rectangular	Opposed Blade	8	8
STMRTD12X12	Zone	Rectangular	Opposed Blade	12	12
STMRTD14X8	Zone	Rectangular	Opposed Blade	14	8
STMRTD20X6BM	Zone	Rectangular	Opposed Blade	20	6
STMRTD20X16BM	Zone	Rectangular	Opposed Blade	20	16
STMRTD26X10BM	Zone	Rectangular	Opposed Blade	26	10

DAMPERS FOR ZONEX SYSTEMS



ZONE DAMPERS (MEDIUM PRESSURE)



101MRTD Series Zone Dampers

- Fabricated from heavy-duty extruded aluminum frame, to provide maximum rigidity
- All opposed blade shafts pivot in nylon bushings to reduce friction and ensure quiet operation
- High density rubber gasket affords an efficient seal to minimize blade to frame leakage
- Actuator is installed on the Height dimension unless the damper is ordered as Bottom Mount, which will put the actuator on the Width dimension
- “Cut-in” style damper, which is designed to slide into the rectangular supply duct
- Minimum open and close positions can be manually adjusted on the actuator for air balance requirements
- Can be paralleled to provide additional CFM capacity when required
- Medium pressure; 1.0 in. W.C. maximum pressure differential
- Power open, power close; 90° stroke/travel
- System compatibility: DigiTract 3, DigiTract 4

PART NO	DAMPER TYPE	SHAPE	DAMPER CONFIG	DUCT OPENING WIDTH (IN)	DUCT OPENING HGT (IN)
101MRTD10X8	Zone	Rectangular	Opposed Blade	10	8
101MRTD10X10	Zone	Rectangular	Opposed Blade	10	10
101MRTD10X12	Zone	Rectangular	Opposed Blade	10	12
101MRTD12X12	Zone	Rectangular	Opposed Blade	12	12
101MRTD20X12	Zone	Rectangular	Opposed Blade	20	12

ZONE DAMPERS (MEDIUM PRESSURE – HEAVY DUTY)



101AMPD Series Zone Dampers

- Fabricated from heavy gauge steel (22 gauge for 6-10 in., 20 gauge for 12-18 in); each cylinder features three rolled beads to provide maximum structural integrity
- Trailing end is crimped for ease of installation
- Positive air seal is accomplished through use of an elliptical damper blade, bolted to the hexagonal damper shaft
- Features 24VAC full-stall motors which do not require use of end switches to terminate travel
- Equipped with a 101ARLY damper relay board, which provides the analog communication interface with a system controller to determine quantity of current or opposite mode callers
- Specifically designed for the California Economizer
- Damper actuator is secured directly to the damper shaft and uses an anti-rotation strap for easy removal
- Each actuator hat section is insulated to prevent condensation
- Minimum open and close positions can be easily adjusted on the actuator assembly
- Dampers are shipped for full open and close operation
- Medium pressure (heavy-duty); 1.75 in. W.C. maximum pressure differential
- Power open, power close; 60° stroke/travel
- System compatibility: DigiTract 3, DigiTract 4

PART NO	DAMPER TYPE	SHAPE	DAMPER CONFIG	DUCT OPENING WIDTH (IN)	DUCT OPENING HGT (IN)
101AMPD06	Zone	Round	Round Blade	6	10
101AMPD08	Zone	Round	Round Blade	8	10
101AMPD10	Zone	Round	Round Blade	10	12
101AMPD12	Zone	Round	Round Blade	12	14
101AMPD14	Zone	Round	Round Blade	14	16
101AMPD16	Zone	Round	Round Blade	16	18
101AMPD18	Zone	Round	Round Blade	18	23-1/2

DAMPERS FOR ZONEX SYSTEMS

ZONE DAMPERS (MEDIUM PRESSURE – HEAVY DUTY)



101CD Series Zone Dampers

- Damper assembly is enclosed in a 16 in. long, 20 gauge galvanized steel sleeve, with standard slip and drive connections
- Damper blades are bolted to a hexagonal damper shaft, which rotates within stainless steel Oilite bushings; blades close against steel blade stops
- Damper linkage is non-adjustable and fully enclosed within the damper; min. and max. positions are field adjustable on the actuator
- Equipped with a 101ARLY damper relay board, which provides the analog communication interface with a system controller to determine quantity of current or opposite mode callers
- Medium pressure (heavy-duty); 1.75 in. W.C. maximum pressure differential
- Power open, power close; 90° stroke/travel
- System compatibility: DigiTract 3, DigiTract 4

PART NO	DAMPER TYPE	SHAPE	DAMPER CONFIG	DUCT OPENING WIDTH (IN)	DUCT OPENING HGT (IN)
101CD8X8	Zone	Rectangular	Parallel Blade	8	8
101CD8X10	Zone	Rectangular	Parallel Blade	8	10
101CD8X12	Zone	Rectangular	Parallel Blade	8	12
101CD8X14	Zone	Rectangular	Parallel Blade	8	14
101CD8X16	Zone	Rectangular	Parallel Blade	8	16
101CD8X18	Zone	Rectangular	Parallel Blade	8	18
101CD8X20	Zone	Rectangular	Parallel Blade	8	20
101CD8X24	Zone	Rectangular	Parallel Blade	8	24
101CD8X28	Zone	Rectangular	Parallel Blade	8	28
101CD8X32	Zone	Rectangular	Parallel Blade	8	32
101CD8X36	Zone	Rectangular	Parallel Blade	8	36
101CD8X40	Zone	Rectangular	Parallel Blade	8	40
101CD8X44	Zone	Rectangular	Parallel Blade	8	44
101CD10X8	Zone	Rectangular	Parallel Blade	10	8
101CD10X10	Zone	Rectangular	Parallel Blade	10	10
101CD10X12	Zone	Rectangular	Parallel Blade	10	12
101CD10X14	Zone	Rectangular	Parallel Blade	10	14
101CD10X16	Zone	Rectangular	Parallel Blade	10	16
101CD10X18	Zone	Rectangular	Parallel Blade	10	18
101CD10X20	Zone	Rectangular	Parallel Blade	10	20
101CD10X24	Zone	Rectangular	Parallel Blade	10	24
101CD10X28	Zone	Rectangular	Parallel Blade	10	28
101CD10X32	Zone	Rectangular	Parallel Blade	10	32
101CD10X36	Zone	Rectangular	Parallel Blade	10	36
101CD10X40	Zone	Rectangular	Parallel Blade	10	40
101CD10X44	Zone	Rectangular	Parallel Blade	10	44
101CD12X8	Zone	Rectangular	Parallel Blade	12	8
101CD12X10	Zone	Rectangular	Parallel Blade	12	10
101CD12X14	Zone	Rectangular	Parallel Blade	12	14
101CD12X16	Zone	Rectangular	Parallel Blade	12	16
101CD12X18	Zone	Rectangular	Parallel Blade	12	18
101CD12X20	Zone	Rectangular	Parallel Blade	12	20
101CD12X24	Zone	Rectangular	Parallel Blade	12	24
101CD12X28	Zone	Rectangular	Parallel Blade	12	28
101CD12X32	Zone	Rectangular	Parallel Blade	12	32
101CD12X36	Zone	Rectangular	Parallel Blade	12	36
101CD12X40	Zone	Rectangular	Parallel Blade	12	40
101CD12X44	Zone	Rectangular	Parallel Blade	12	44
101CD14X8	Zone	Rectangular	Parallel Blade	14	8
101CD14X10	Zone	Rectangular	Parallel Blade	14	10
101CD14X12	Zone	Rectangular	Parallel Blade	14	12

(continued on next page)

DAMPERS FOR ZONEX SYSTEMS

ZONE DAMPERS (MEDIUM PRESSURE – HEAVY DUTY)



101CD Series Zone Dampers CONTINUED



PART NO	DAMPER TYPE	SHAPE	DAMPER CONFIG	DUCT OPENING WIDTH (IN)	DUCT OPENING HGT (IN)
101CD14X14	Zone	Rectangular	Parallel Blade	14	14
101CD14X16	Zone	Rectangular	Parallel Blade	14	16
101CD14X18	Zone	Rectangular	Parallel Blade	14	18
101CD14X20	Zone	Rectangular	Parallel Blade	14	20
101CD14X24	Zone	Rectangular	Parallel Blade	14	24
101CD14X28	Zone	Rectangular	Parallel Blade	14	28
101CD14X32	Zone	Rectangular	Parallel Blade	14	32
101CD14X36	Zone	Rectangular	Parallel Blade	14	36
101CD14X40	Zone	Rectangular	Parallel Blade	14	40
101CD14X44	Zone	Rectangular	Parallel Blade	14	44
101CD16X8	Zone	Rectangular	Parallel Blade	16	8
101CD16X10	Zone	Rectangular	Parallel Blade	16	10
101CD16X12	Zone	Rectangular	Parallel Blade	16	12
101CD16X14	Zone	Rectangular	Parallel Blade	16	14
101CD16X16	Zone	Rectangular	Parallel Blade	16	16
101CD16X18	Zone	Rectangular	Parallel Blade	16	18
101CD16X20	Zone	Rectangular	Parallel Blade	16	20
101CD16X24	Zone	Rectangular	Parallel Blade	16	24
101CD16X28	Zone	Rectangular	Parallel Blade	16	28
101CD16X32	Zone	Rectangular	Parallel Blade	16	32
101CD16X36	Zone	Rectangular	Parallel Blade	16	36
101CD16X40	Zone	Rectangular	Parallel Blade	16	40
101CD16X44	Zone	Rectangular	Parallel Blade	16	44
101CD18X8	Zone	Rectangular	Parallel Blade	18	8
101CD18X10	Zone	Rectangular	Parallel Blade	18	10
101CD18X12	Zone	Rectangular	Parallel Blade	18	12
101CD18X14	Zone	Rectangular	Parallel Blade	18	14
101CD18X16	Zone	Rectangular	Parallel Blade	18	16
101CD18X18	Zone	Rectangular	Parallel Blade	18	18
101CD18X20	Zone	Rectangular	Parallel Blade	18	20
101CD18X24	Zone	Rectangular	Parallel Blade	18	24
101CD18X28	Zone	Rectangular	Parallel Blade	18	28
101CD18X32	Zone	Rectangular	Parallel Blade	18	32
101CD18X36	Zone	Rectangular	Parallel Blade	18	36
101CD18X40	Zone	Rectangular	Parallel Blade	18	40
101CD18X44	Zone	Rectangular	Parallel Blade	18	44
101CD20X8	Zone	Rectangular	Parallel Blade	20	8
101CD20X10	Zone	Rectangular	Parallel Blade	20	10
101CD20X12	Zone	Rectangular	Parallel Blade	20	12
101CD20X14	Zone	Rectangular	Parallel Blade	20	14
101CD20X16	Zone	Rectangular	Parallel Blade	20	16
101CD20X18	Zone	Rectangular	Parallel Blade	20	18
101CD20X20	Zone	Rectangular	Parallel Blade	20	20
101CD20X24	Zone	Rectangular	Parallel Blade	20	24
101CD20X28	Zone	Rectangular	Parallel Blade	20	28
101CD20X32	Zone	Rectangular	Parallel Blade	20	32
101CD20X36	Zone	Rectangular	Parallel Blade	20	36
101CD20X40	Zone	Rectangular	Parallel Blade	20	40
101CD22X8	Zone	Rectangular	Parallel Blade	22	8

(continued on next page)

DAMPERS FOR ZONEX SYSTEMS

ZONE DAMPERS (MEDIUM PRESSURE – HEAVY DUTY)

101CD Series Zone Dampers CONTINUED



PART NO	DAMPER TYPE	SHAPE	DAMPER CONFIG	DUCT OPENING WIDTH (IN)	DUCT OPENING HGT (IN)
101CD22X10	Zone	Rectangular	Parallel Blade	22	10
101CD22X12	Zone	Rectangular	Parallel Blade	22	12
101CD22X14	Zone	Rectangular	Parallel Blade	22	14
101CD22X16	Zone	Rectangular	Parallel Blade	22	16
101CD22X18	Zone	Rectangular	Parallel Blade	22	18
101CD22X20	Zone	Rectangular	Parallel Blade	22	20
101CD22X24	Zone	Rectangular	Parallel Blade	22	24
101CD22X28	Zone	Rectangular	Parallel Blade	22	28
101CD22X32	Zone	Rectangular	Parallel Blade	22	32
101CD22X36	Zone	Rectangular	Parallel Blade	22	36
101CD22X40	Zone	Rectangular	Parallel Blade	22	40
101CD24X8	Zone	Rectangular	Parallel Blade	24	8
101CD24X10	Zone	Rectangular	Parallel Blade	24	10
101CD24X12	Zone	Rectangular	Parallel Blade	24	12
101CD24X14	Zone	Rectangular	Parallel Blade	24	14
101CD24X16	Zone	Rectangular	Parallel Blade	24	16
101CD24X18	Zone	Rectangular	Parallel Blade	24	18
101CD24X20	Zone	Rectangular	Parallel Blade	24	20
101CD24X24	Zone	Rectangular	Parallel Blade	24	24
101CD24X28	Zone	Rectangular	Parallel Blade	24	28
101CD24X32	Zone	Rectangular	Parallel Blade	24	32
101CD24X36	Zone	Rectangular	Parallel Blade	24	36
101CD24X40	Zone	Rectangular	Parallel Blade	24	40
101CD28X8	Zone	Rectangular	Parallel Blade	28	8
101CD28X10	Zone	Rectangular	Parallel Blade	28	10
101CD28X12	Zone	Rectangular	Parallel Blade	28	12
101CD28X14	Zone	Rectangular	Parallel Blade	28	14
101CD28X16	Zone	Rectangular	Parallel Blade	28	16
101CD28X18	Zone	Rectangular	Parallel Blade	28	18
101CD28X20	Zone	Rectangular	Parallel Blade	28	20
101CD28X24	Zone	Rectangular	Parallel Blade	28	24
101CD28X28	Zone	Rectangular	Parallel Blade	28	28
101CD28X32	Zone	Rectangular	Parallel Blade	28	32
101CD28X36	Zone	Rectangular	Parallel Blade	28	36
101CD28X40	Zone	Rectangular	Parallel Blade	28	40
101CD32X8	Zone	Rectangular	Parallel Blade	32	8
101CD32X10	Zone	Rectangular	Parallel Blade	32	10
101CD32X12	Zone	Rectangular	Parallel Blade	32	12
101CD32X14	Zone	Rectangular	Parallel Blade	32	14
101CD32X16	Zone	Rectangular	Parallel Blade	32	16
101CD32X18	Zone	Rectangular	Parallel Blade	32	18
101CD32X20	Zone	Rectangular	Parallel Blade	32	20
101CD32X24	Zone	Rectangular	Parallel Blade	32	24
101CD32X28	Zone	Rectangular	Parallel Blade	32	28
101CD32X32	Zone	Rectangular	Parallel Blade	32	32
101CD32X36	Zone	Rectangular	Parallel Blade	32	36
101CD32X40	Zone	Rectangular	Parallel Blade	32	40
101CD36X8	Zone	Rectangular	Parallel Blade	36	8
101CD36X10	Zone	Rectangular	Parallel Blade	36	10

(continued on next page)

DAMPERS FOR ZONEX SYSTEMS

ZONE DAMPERS (MEDIUM PRESSURE – HEAVY DUTY)



101CD Series Zone Dampers CONTINUED

PART NO	DAMPER TYPE	SHAPE	DAMPER CONFIG	DUCT OPENING WIDTH (IN)	DUCT OPENING HGT (IN)
101CD36X12	Zone	Rectangular	Parallel Blade	36	12
101CD36X14	Zone	Rectangular	Parallel Blade	36	14
101CD36X16	Zone	Rectangular	Parallel Blade	36	16
101CD36X18	Zone	Rectangular	Parallel Blade	36	18
101CD36X20	Zone	Rectangular	Parallel Blade	36	20
101CD36X24	Zone	Rectangular	Parallel Blade	36	24
101CD36X28	Zone	Rectangular	Parallel Blade	36	28
101CD36X32	Zone	Rectangular	Parallel Blade	36	32
101CD36X36	Zone	Rectangular	Parallel Blade	36	36
101CD36X40	Zone	Rectangular	Parallel Blade	36	40
101CD40X8	Zone	Rectangular	Parallel Blade	40	8
101CD40X10	Zone	Rectangular	Parallel Blade	40	10
101CD40X12	Zone	Rectangular	Parallel Blade	40	12
101CD40X14	Zone	Rectangular	Parallel Blade	40	14
101CD40X16	Zone	Rectangular	Parallel Blade	40	16
101CD40X18	Zone	Rectangular	Parallel Blade	40	18
101CD40X20	Zone	Rectangular	Parallel Blade	40	20
101CD40X24	Zone	Rectangular	Parallel Blade	40	24
101CD40X28	Zone	Rectangular	Parallel Blade	40	28
101CD40X32	Zone	Rectangular	Parallel Blade	40	32
101CD40X36	Zone	Rectangular	Parallel Blade	40	36
101CD40X40	Zone	Rectangular	Parallel Blade	40	40
101CD44X8	Zone	Rectangular	Parallel Blade	44	8
101CD44X10	Zone	Rectangular	Parallel Blade	44	10
101CD44X12	Zone	Rectangular	Parallel Blade	44	12
101CD44X14	Zone	Rectangular	Parallel Blade	44	14
101CD44X16	Zone	Rectangular	Parallel Blade	44	16
101CD44X18	Zone	Rectangular	Parallel Blade	44	18
101CD44X20	Zone	Rectangular	Parallel Blade	44	20
101CD44X24	Zone	Rectangular	Parallel Blade	44	24
101CD44X28	Zone	Rectangular	Parallel Blade	44	28
101CD44X32	Zone	Rectangular	Parallel Blade	44	32
101CD44X36	Zone	Rectangular	Parallel Blade	44	36
101CD44X40	Zone	Rectangular	Parallel Blade	44	40
101CD48X8	Zone	Rectangular	Parallel Blade	48	8
101CD48X10	Zone	Rectangular	Parallel Blade	48	10
101CD48X12	Zone	Rectangular	Parallel Blade	48	12
101CD48X14	Zone	Rectangular	Parallel Blade	48	14
101CD48X16	Zone	Rectangular	Parallel Blade	48	16
101CD48X18	Zone	Rectangular	Parallel Blade	48	18
101CD48X20	Zone	Rectangular	Parallel Blade	48	20
101CD48X24	Zone	Rectangular	Parallel Blade	48	24
101CD48X28	Zone	Rectangular	Parallel Blade	48	28
101CD48X32	Zone	Rectangular	Parallel Blade	48	32
101CD48X36	Zone	Rectangular	Parallel Blade	48	36
101CD48X40	Zone	Rectangular	Parallel Blade	48	40



DAMPERS FOR ZONEX SYSTEMS

ZONE/BYPASS DAMPERS (MODULATING)



STMPD Series Power Zone/Bypass Dampers (Modulating)

- Fabricated from heavy gauge steel (22 gauge for 6-10 in., 20 gauge for 12-18 in.); each cylinder features two rolled beads to provide structural integrity
- Trailing end is crimped for ease of installation
- Positive air seal is accomplished through use of a high density foam gasket around the blade perimeter
- Features an elliptical blade for linear air volume delivery throughout the damper range of travel
- Damper blade is bolted to the hexagonal damper shaft
- Features 24VAC full-stall motors which do not require use of end switches to terminate travel
- Actuator is controlled by the 101ASPC static pressure control
- Each actuator hat section is insulated to prevent condensation
- Can be paralleled to provide additional CFM capacity when required
- Medium pressure (heavy-duty); 1.75 in. W.C. maximum pressure differential
- Power open, power close; 60° stroke/travel
- System compatibility: DigiTract 4, System 2000, System 2000 GEN II, MODCOM, COMMANDER (Plus)

PART NO	DAMPER TYPE	SHAPE	DAMPER CONFIG	DUCT OPENING WIDTH (IN)	DUCT OPENING HGT (IN)	CLEARANCE WID (IN)
STMPD06	Zone, Bypass - Power	Round	Elliptical Blade	6	10	9
STMPD08	Zone, Bypass - Power	Round	Elliptical Blade	8	10	11
STMPD10	Zone, Bypass - Power	Round	Elliptical Blade	10	12	13
STMPD12	Zone, Bypass - Power	Round	Elliptical Blade	12	14	15
STMPD14	Zone, Bypass - Power	Round	Elliptical Blade	14	16	17
STMPD16	Zone, Bypass - Power	Round	Elliptical Blade	16	18	19
STMPD18	Zone, Bypass - Power	Round	Elliptical Blade	18	20	21



STCD Series Modulating Zone/Bypass Dampers

- Damper assembly is enclosed in a 16 in. long, 20 gauge galvanized steel sleeve, with standard slip and drive connections
- Damper blades are bolted to a hexagonal damper shaft which rotate within a stainless steel Oilite bushing
- Damper blades close against steel blade stops
- Damper linkage is non-adjustable and fully enclosed within the damper
- Features 24VAC, full stall motors, which do not require use of end switches to terminate travel
- 101ASPC static pressure switch (sold separately) will modulate the damper in proportion to the change in duct pressure
- Equipped with steel damper blade stops
- Can be paralleled to provide additional CFM capacity when required
- Medium pressure (heavy-duty); 1.75 in. W.C. maximum pressure differential
- Power open, power close; 90° stroke/travel
- System compatibility: DigiTract 4, System 2000 GEN II, MODCOM, COMMANDER (Plus)

PART NO	DAMPER TYPE	SHAPE	DAMPER CONFIG	DUCT OPENING WIDTH (IN)	DUCT OPENING HGT (IN)
STCD8X8	Zone, Bypass - Modulating	Rectangular	Parallel Blade	8	8
STCD8X10	Zone, Bypass - Modulating	Rectangular	Parallel Blade	8	10
STCD8X12	Zone, Bypass - Modulating	Rectangular	Parallel Blade	8	12
STCD8X14	Zone, Bypass - Modulating	Rectangular	Parallel Blade	8	14
STCD8X16	Zone, Bypass - Modulating	Rectangular	Opposed Blade	8	16
STCD8X18	Zone, Bypass - Modulating	Rectangular	Opposed Blade	8	18
STCD8X20	Zone, Bypass - Modulating	Rectangular	Opposed Blade	8	20
STCD8X24	Zone, Bypass - Modulating	Rectangular	Opposed Blade	8	24
STCD8X28	Zone, Bypass - Modulating	Rectangular	Opposed Blade	8	28
STCD8X32	Zone, Bypass - Modulating	Rectangular	Opposed Blade	8	32
STCD8X36	Zone, Bypass - Modulating	Rectangular	Opposed Blade	8	36
STCD8X40	Zone, Bypass - Modulating	Rectangular	Opposed Blade	8	40
STCD8X44	Zone, Bypass - Modulating	Rectangular	Opposed Blade	8	44
STCD8X48	Zone, Bypass - Modulating	Rectangular	Opposed Blade	8	48
STCD10X8	Zone, Bypass - Modulating	Rectangular	Parallel Blade	10	8
STCD10X10	Zone, Bypass - Modulating	Rectangular	Parallel Blade	10	10
STCD10X14	Zone, Bypass - Modulating	Rectangular	Parallel Blade	10	14
STCD10X16	Zone, Bypass - Modulating	Rectangular	Opposed Blade	10	16

(continued on next page)

DAMPERS FOR ZONEX SYSTEMS

ZONE/BYPASS DAMPERS (MODULATING)



STCD Series Modulating Zone/Bypass Dampers CONTINUED

PART NO	DAMPER TYPE	SHAPE	DAMPER CONFIG	DUCT OPENING WIDTH (IN)	DUCT OPENING HGT (IN)
STCD10X18	Zone, Bypass - Modulating	Rectangular	Opposed Blade	10	18
STCD10X20	Zone, Bypass - Modulating	Rectangular	Opposed Blade	10	20
STCD10X24	Zone, Bypass - Modulating	Rectangular	Opposed Blade	10	24
STCD10X28	Zone, Bypass - Modulating	Rectangular	Opposed Blade	10	28
STCD10X32	Zone, Bypass - Modulating	Rectangular	Opposed Blade	10	32
STCD10X36	Zone, Bypass - Modulating	Rectangular	Opposed Blade	10	36
STCD10X40	Zone, Bypass - Modulating	Rectangular	Opposed Blade	10	40
STCD10X44	Zone, Bypass - Modulating	Rectangular	Opposed Blade	10	44
STCD10X48	Zone, Bypass - Modulating	Rectangular	Opposed Blade	10	48
STCD12X8	Zone, Bypass - Modulating	Rectangular	Parallel Blade	12	8
STCD12X10	Zone, Bypass - Modulating	Rectangular	Parallel Blade	12	10
STCD10X12	Zone, Bypass - Modulating	Rectangular	Parallel Blade	12	12
STCD12X12	Zone, Bypass - Modulating	Rectangular	Parallel Blade	12	12
STCD12X14	Zone, Bypass - Modulating	Rectangular	Parallel Blade	12	14
STCD12X16	Zone, Bypass - Modulating	Rectangular	Opposed Blade	12	16
STCD12X18	Zone, Bypass - Modulating	Rectangular	Opposed Blade	12	18
STCD12X20	Zone, Bypass - Modulating	Rectangular	Opposed Blade	12	20
STCD12X24	Zone, Bypass - Modulating	Rectangular	Opposed Blade	12	24
STCD12X28	Zone, Bypass - Modulating	Rectangular	Opposed Blade	12	28
STCD12X32	Zone, Bypass - Modulating	Rectangular	Opposed Blade	12	32
STCD12X36	Zone, Bypass - Modulating	Rectangular	Opposed Blade	12	36
STCD12X40	Zone, Bypass - Modulating	Rectangular	Opposed Blade	12	40
STCD12X44	Zone, Bypass - Modulating	Rectangular	Opposed Blade	12	44
STCD12X48	Zone, Bypass - Modulating	Rectangular	Opposed Blade	12	48
STCD14X8	Zone, Bypass - Modulating	Rectangular	Parallel Blade	14	8
STCD14X10	Zone, Bypass - Modulating	Rectangular	Parallel Blade	14	10
STCD14X12	Zone, Bypass - Modulating	Rectangular	Parallel Blade	14	12
STCD14X14	Zone, Bypass - Modulating	Rectangular	Parallel Blade	14	14
STCD14X16	Zone, Bypass - Modulating	Rectangular	Opposed Blade	14	16
STCD14X18	Zone, Bypass - Modulating	Rectangular	Opposed Blade	14	18
STCD14X20	Zone, Bypass - Modulating	Rectangular	Opposed Blade	14	20
STCD14X24	Zone, Bypass - Modulating	Rectangular	Opposed Blade	14	24
STCD14X28	Zone, Bypass - Modulating	Rectangular	Opposed Blade	14	28
STCD14X32	Zone, Bypass - Modulating	Rectangular	Opposed Blade	14	32
STCD14X36	Zone, Bypass - Modulating	Rectangular	Opposed Blade	14	36
STCD14X40	Zone, Bypass - Modulating	Rectangular	Opposed Blade	14	40
STCD14X44	Zone, Bypass - Modulating	Rectangular	Opposed Blade	14	44
STCD14X48	Zone, Bypass - Modulating	Rectangular	Opposed Blade	14	48
STCD16X8	Zone, Bypass - Modulating	Rectangular	Parallel Blade	16	8
STCD16X10	Zone, Bypass - Modulating	Rectangular	Parallel Blade	16	10
STCD16X12	Zone, Bypass - Modulating	Rectangular	Parallel Blade	16	12
STCD16X14	Zone, Bypass - Modulating	Rectangular	Parallel Blade	16	14
STCD16X16	Zone, Bypass - Modulating	Rectangular	Opposed Blade	16	16
STCD16X18	Zone, Bypass - Modulating	Rectangular	Opposed Blade	16	18
STCD16X20	Zone, Bypass - Modulating	Rectangular	Opposed Blade	16	20
STCD16X24	Zone, Bypass - Modulating	Rectangular	Opposed Blade	16	24
STCD16X28	Zone, Bypass - Modulating	Rectangular	Opposed Blade	16	28
STCD16X32	Zone, Bypass - Modulating	Rectangular	Opposed Blade	16	32
STCD16X36	Zone, Bypass - Modulating	Rectangular	Opposed Blade	16	36

(continued on next page)

DAMPERS FOR ZONEX SYSTEMS

ZONE/BYPASS DAMPERS (MODULATING)

STCD Series Modulating Zone/Bypass Dampers CONTINUED



PART NO	DAMPER TYPE	SHAPE	DAMPER CONFIG	DUCT OPENING WIDTH (IN)	DUCT OPENING HGT (IN)
STCD16X40	Zone, Bypass - Modulating	Rectangular	Opposed Blade	16	40
STCD16X44	Zone, Bypass - Modulating	Rectangular	Opposed Blade	16	44
STCD16X48	Zone, Bypass - Modulating	Rectangular	Opposed Blade	16	48
STCD18X8	Zone, Bypass - Modulating	Rectangular	Parallel Blade	18	8
STCD18X10	Zone, Bypass - Modulating	Rectangular	Parallel Blade	18	10
STCD18X12	Zone, Bypass - Modulating	Rectangular	Parallel Blade	18	12
STCD18X14	Zone, Bypass - Modulating	Rectangular	Parallel Blade	18	14
STCD18X16	Zone, Bypass - Modulating	Rectangular	Opposed Blade	18	16
STCD18X18	Zone, Bypass - Modulating	Rectangular	Opposed Blade	18	18
STCD18X20	Zone, Bypass - Modulating	Rectangular	Opposed Blade	18	20
STCD18X24	Zone, Bypass - Modulating	Rectangular	Opposed Blade	18	24
STCD18X28	Zone, Bypass - Modulating	Rectangular	Opposed Blade	18	28
STCD18X32	Zone, Bypass - Modulating	Rectangular	Opposed Blade	18	32
STCD18X36	Zone, Bypass - Modulating	Rectangular	Opposed Blade	18	36
STCD18X40	Zone, Bypass - Modulating	Rectangular	Opposed Blade	18	40
STCD18X44	Zone, Bypass - Modulating	Rectangular	Opposed Blade	18	44
STCD18X48	Zone, Bypass - Modulating	Rectangular	Opposed Blade	18	48
STCD20X8	Zone, Bypass - Modulating	Rectangular	Parallel Blade	20	8
STCD20X10	Zone, Bypass - Modulating	Rectangular	Parallel Blade	20	10
STCD20X12	Zone, Bypass - Modulating	Rectangular	Parallel Blade	20	12
STCD20X14	Zone, Bypass - Modulating	Rectangular	Parallel Blade	20	14
STCD20X16	Zone, Bypass - Modulating	Rectangular	Opposed Blade	20	16
STCD20X18	Zone, Bypass - Modulating	Rectangular	Opposed Blade	20	18
STCD20X20	Zone, Bypass - Modulating	Rectangular	Opposed Blade	20	20
STCD20X24	Zone, Bypass - Modulating	Rectangular	Opposed Blade	20	24
STCD20X28	Zone, Bypass - Modulating	Rectangular	Opposed Blade	20	28
STCD20X32	Zone, Bypass - Modulating	Rectangular	Opposed Blade	20	32
STCD20X36	Zone, Bypass - Modulating	Rectangular	Opposed Blade	20	36
STCD20X40	Zone, Bypass - Modulating	Rectangular	Opposed Blade	20	40
STCD20X44	Zone, Bypass - Modulating	Rectangular	Opposed Blade	20	44
STCD20X48	Zone, Bypass - Modulating	Rectangular	Opposed Blade	20	48
STCD22X8	Zone, Bypass - Modulating	Rectangular	Parallel Blade	22	8
STCD22X10	Zone, Bypass - Modulating	Rectangular	Parallel Blade	22	10
STCD22X12	Zone, Bypass - Modulating	Rectangular	Parallel Blade	22	12
STCD22X14	Zone, Bypass - Modulating	Rectangular	Parallel Blade	22	14
STCD22X16	Zone, Bypass - Modulating	Rectangular	Opposed Blade	22	16
STCD22X18	Zone, Bypass - Modulating	Rectangular	Opposed Blade	22	18
STCD22X20	Zone, Bypass - Modulating	Rectangular	Opposed Blade	22	20
STCD22X24	Zone, Bypass - Modulating	Rectangular	Opposed Blade	22	24
STCD22X28	Zone, Bypass - Modulating	Rectangular	Opposed Blade	22	28
STCD22X32	Zone, Bypass - Modulating	Rectangular	Opposed Blade	22	32
STCD22X36	Zone, Bypass - Modulating	Rectangular	Opposed Blade	22	36
STCD22X40	Zone, Bypass - Modulating	Rectangular	Opposed Blade	22	40
STCD22X44	Zone, Bypass - Modulating	Rectangular	Opposed Blade	22	44
STCD22X48	Zone, Bypass - Modulating	Rectangular	Opposed Blade	22	48
STCD24X8	Zone, Bypass - Modulating	Rectangular	Parallel Blade	24	8
STCD24X10	Zone, Bypass - Modulating	Rectangular	Parallel Blade	24	10
STCD24X12	Zone, Bypass - Modulating	Rectangular	Parallel Blade	24	12
STCD24X14	Zone, Bypass - Modulating	Rectangular	Parallel Blade	24	14

(continued on next page)

DAMPERS FOR ZONEX SYSTEMS

ZONE/BYPASS DAMPERS (MODULATING)



STCD Series Modulating Zone/Bypass Dampers CONTINUED

PART NO	DAMPER TYPE	SHAPE	DAMPER CONFIG	DUCT OPENING WIDTH (IN)	DUCT OPENING HGT (IN)
STCD24X16	Zone, Bypass - Modulating	Rectangular	Opposed Blade	24	16
STCD24X18	Zone, Bypass - Modulating	Rectangular	Opposed Blade	24	18
STCD24X20	Zone, Bypass - Modulating	Rectangular	Opposed Blade	24	20
STCD24X24	Zone, Bypass - Modulating	Rectangular	Opposed Blade	24	24
STCD24X28	Zone, Bypass - Modulating	Rectangular	Opposed Blade	24	28
STCD24X32	Zone, Bypass - Modulating	Rectangular	Opposed Blade	24	32
STCD24X36	Zone, Bypass - Modulating	Rectangular	Opposed Blade	24	36
STCD24X40	Zone, Bypass - Modulating	Rectangular	Opposed Blade	24	40
STCD24X44	Zone, Bypass - Modulating	Rectangular	Opposed Blade	24	44
STCD24X48	Zone, Bypass - Modulating	Rectangular	Opposed Blade	24	48
STCD28X8	Zone, Bypass - Modulating	Rectangular	Parallel Blade	28	8
STCD28X10	Zone, Bypass - Modulating	Rectangular	Parallel Blade	28	10
STCD28X12	Zone, Bypass - Modulating	Rectangular	Parallel Blade	28	12
STCD28X14	Zone, Bypass - Modulating	Rectangular	Parallel Blade	28	14
STCD28X16	Zone, Bypass - Modulating	Rectangular	Opposed Blade	28	16
STCD28X18	Zone, Bypass - Modulating	Rectangular	Opposed Blade	28	18
STCD28X20	Zone, Bypass - Modulating	Rectangular	Opposed Blade	28	20
STCD28X24	Zone, Bypass - Modulating	Rectangular	Opposed Blade	28	24
STCD28X28	Zone, Bypass - Modulating	Rectangular	Opposed Blade	28	28
STCD28X32	Zone, Bypass - Modulating	Rectangular	Opposed Blade	28	32
STCD28X36	Zone, Bypass - Modulating	Rectangular	Opposed Blade	28	36
STCD28X40	Zone, Bypass - Modulating	Rectangular	Opposed Blade	28	40
STCD28X44	Zone, Bypass - Modulating	Rectangular	Opposed Blade	28	44
STCD28X48	Zone, Bypass - Modulating	Rectangular	Opposed Blade	28	48
STCD32X8	Zone, Bypass - Modulating	Rectangular	Parallel Blade	32	8
STCD32X10	Zone, Bypass - Modulating	Rectangular	Parallel Blade	32	10
STCD32X12	Zone, Bypass - Modulating	Rectangular	Parallel Blade	32	12
STCD32X14	Zone, Bypass - Modulating	Rectangular	Parallel Blade	32	14
STCD32X16	Zone, Bypass - Modulating	Rectangular	Opposed Blade	32	16
STCD32X18	Zone, Bypass - Modulating	Rectangular	Opposed Blade	32	18
STCD32X20	Zone, Bypass - Modulating	Rectangular	Opposed Blade	32	20
STCD32X24	Zone, Bypass - Modulating	Rectangular	Opposed Blade	32	24
STCD32X28	Zone, Bypass - Modulating	Rectangular	Opposed Blade	32	28
STCD32X32	Zone, Bypass - Modulating	Rectangular	Opposed Blade	32	32
STCD32X36	Zone, Bypass - Modulating	Rectangular	Opposed Blade	32	36
STCD32X40	Zone, Bypass - Modulating	Rectangular	Opposed Blade	32	40
STCD32X44	Zone, Bypass - Modulating	Rectangular	Opposed Blade	32	44
STCD32X48	Zone, Bypass - Modulating	Rectangular	Opposed Blade	32	48
STCD36X8	Zone, Bypass - Modulating	Rectangular	Parallel Blade	36	8
STCD36X10	Zone, Bypass - Modulating	Rectangular	Parallel Blade	36	10
STCD36X12	Zone, Bypass - Modulating	Rectangular	Parallel Blade	36	12
STCD36X14	Zone, Bypass - Modulating	Rectangular	Parallel Blade	36	14
STCD36X16	Zone, Bypass - Modulating	Rectangular	Opposed Blade	36	16
STCD36X18	Zone, Bypass - Modulating	Rectangular	Opposed Blade	36	18
STCD36X20	Zone, Bypass - Modulating	Rectangular	Opposed Blade	36	20
STCD36X24	Zone, Bypass - Modulating	Rectangular	Opposed Blade	36	24
STCD36X28	Zone, Bypass - Modulating	Rectangular	Opposed Blade	36	28
STCD36X32	Zone, Bypass - Modulating	Rectangular	Opposed Blade	36	32
STCD36X36	Zone, Bypass - Modulating	Rectangular	Opposed Blade	36	36

(continued on next page)

DAMPERS FOR ZONEX SYSTEMS

ZONE/BYPASS DAMPERS (MODULATING)

STCD Series Modulating Zone/Bypass Dampers CONTINUED



PART NO	DAMPER TYPE	SHAPE	DAMPER CONFIG	DUCT OPENING WIDTH (IN)	DUCT OPENING HGT (IN)
STCD36X40	Zone, Bypass - Modulating	Rectangular	Opposed Blade	36	40
STCD36X44	Zone, Bypass - Modulating	Rectangular	Opposed Blade	36	44
STCD36X48	Zone, Bypass - Modulating	Rectangular	Opposed Blade	36	48
STCD40X8	Zone, Bypass - Modulating	Rectangular	Parallel Blade	40	8
STCD40X10	Zone, Bypass - Modulating	Rectangular	Parallel Blade	40	10
STCD40X12	Zone, Bypass - Modulating	Rectangular	Parallel Blade	40	12
STCD40X14	Zone, Bypass - Modulating	Rectangular	Parallel Blade	40	14
STCD40X16	Zone, Bypass - Modulating	Rectangular	Opposed Blade	40	16
STCD40X18	Zone, Bypass - Modulating	Rectangular	Opposed Blade	40	18
STCD40X20	Zone, Bypass - Modulating	Rectangular	Opposed Blade	40	20
STCD40X24	Zone, Bypass - Modulating	Rectangular	Opposed Blade	40	24
STCD40X28	Zone, Bypass - Modulating	Rectangular	Opposed Blade	40	28
STCD40X32	Zone, Bypass - Modulating	Rectangular	Opposed Blade	40	32
STCD40X36	Zone, Bypass - Modulating	Rectangular	Opposed Blade	40	36
STCD40X40	Zone, Bypass - Modulating	Rectangular	Opposed Blade	40	40
STCD40X48	Zone, Bypass - Modulating	Rectangular	Opposed Blade	40	48
STCD44X8	Zone, Bypass - Modulating	Rectangular	Parallel Blade	44	8
STCD44X10	Zone, Bypass - Modulating	Rectangular	Parallel Blade	44	10
STCD44X12	Zone, Bypass - Modulating	Rectangular	Parallel Blade	44	12
STCD44X14	Zone, Bypass - Modulating	Rectangular	Parallel Blade	44	14
STCD44X16	Zone, Bypass - Modulating	Rectangular	Opposed Blade	44	16
STCD44X18	Zone, Bypass - Modulating	Rectangular	Opposed Blade	44	18
STCD44X20	Zone, Bypass - Modulating	Rectangular	Opposed Blade	44	20
STCD44X24	Zone, Bypass - Modulating	Rectangular	Opposed Blade	44	24
STCD44X28	Zone, Bypass - Modulating	Rectangular	Opposed Blade	44	28
STCD44X32	Zone, Bypass - Modulating	Rectangular	Opposed Blade	44	32
STCD44X36	Zone, Bypass - Modulating	Rectangular	Opposed Blade	44	36
STCD44X40	Zone, Bypass - Modulating	Rectangular	Opposed Blade	44	40
STCD44X44	Zone, Bypass - Modulating	Rectangular	Opposed Blade	44	44
STCD44X44	Zone, Bypass - Modulating	Rectangular	Opposed Blade	44	44
STCD44X48	Zone, Bypass - Modulating	Rectangular	Opposed Blade	44	48
STCD48X8	Zone, Bypass - Modulating	Rectangular	Parallel Blade	48	8
STCD48X10	Zone, Bypass - Modulating	Rectangular	Parallel Blade	48	10
STCD48X12	Zone, Bypass - Modulating	Rectangular	Parallel Blade	48	12
STCD48X14	Zone, Bypass - Modulating	Rectangular	Parallel Blade	48	14
STCD48X16	Zone, Bypass - Modulating	Rectangular	Opposed Blade	48	16
STCD48X18	Zone, Bypass - Modulating	Rectangular	Opposed Blade	48	18
STCD48X20	Zone, Bypass - Modulating	Rectangular	Opposed Blade	48	20
STCD48X24	Zone, Bypass - Modulating	Rectangular	Opposed Blade	48	24
STCD48X28	Zone, Bypass - Modulating	Rectangular	Opposed Blade	48	28
STCD48X32	Zone, Bypass - Modulating	Rectangular	Opposed Blade	48	32
STCD48X36	Zone, Bypass - Modulating	Rectangular	Opposed Blade	48	36
STCD48X40	Zone, Bypass - Modulating	Rectangular	Opposed Blade	48	40
STCD48X44	Zone, Bypass - Modulating	Rectangular	Opposed Blade	48	44
STCD48X48	Zone, Bypass - Modulating	Rectangular	Opposed Blade	48	48

DAMPERS FOR ZONEX SYSTEMS



BYPASS DAMPERS (BAROMETRIC)



101ABBD Series Barometric Bypass Dampers

- Fabricated from heavy gauge steel (22 gauge for 9-10 in., 20 gauge for 12-18 in); each cylinder features two rolled beads to provide structural integrity
- Trailing end is crimped and airflow direction clearly labeled for ease of installation
- High-density foam gasket provides an air tight and quiet seal
- Bypass installation can be vertical or horizontal; the counterbalance arm can be located on either side of the damper for added pivot clearance
- Counterbalance weight is easily adjusted, and held securely through use of a set screw
- Celcon shaft bushings ensure quiet damper travel and minimum shaft wear
- Accurate duct pressure is maintained throughout the distribution system regardless of varying air quantities delivered to the conditioned zones
- Low pressure; 0.5 in. W.C. maximum pressure differential
- Air pressure open, gravity close; 90° stroke/travel
- System compatibility: DigiTract 3, DigiTract 4

PART NO	DAMPER TYPE	SHAPE	DAMPER CONFIG	DUCT OPENING WIDTH (IN)	DUCT OPENING HGT (IN)	CLEARANCE WID (IN)
101ABBD09	Bypass - Barometric	Round	Round Blade	9	11	9 (plus shaft)
101ABBD10	Bypass - Barometric	Round	Round Blade	10	12	10 (plus shaft)
101ABBD12	Bypass - Barometric	Round	Round Blade	12	14	12 (plus shaft)
101ABBD14	Bypass - Barometric	Round	Round Blade	14	16	14 (plus shaft)
101ABBD16	Bypass - Barometric	Round	Round Blade	16	18	16 (plus shaft)



RBB Series Barometric Bypass Dampers

- Fabricated from 20 gauge steel
- Dampers are "slip-in" type, with airflow direction clearly labeled for ease of installation
- High-density foam gasket provides an air tight and quiet seal
- Bypass installation is mounted horizontally; the counterbalance arm can be located on either side of the damper for added pivot clearance
- Counterbalance weight is easily adjusted and held securely through the use of a set screw
- Nylon shaft bushings ensure quiet damper travel and minimum shaft wear
- Accurate duct pressure is maintained throughout the distribution system regardless of varying air quantities delivered to the conditioned zones
- Low pressure; 0.5 in. W.C. maximum pressure differential
- Air pressure open, gravity close; 90° stroke/travel
- System compatibility: DigiTract 3, DigiTract 4

PART NO	DAMPER TYPE	SHAPE	DAMPER CONFIG	DUCT OPENING WIDTH (IN)	DUCT OPENING HGT (IN)
RBB12X8	Bypass - Barometric	Rectangular	Single Blade	12	8
RBB12X10	Bypass - Barometric	Rectangular	Single Blade	12	10
RBB12X12	Bypass - Barometric	Rectangular	Single Blade	12	12
RBB20X8	Bypass - Barometric	Rectangular	Single Blade	20	8
RBB20X10	Bypass - Barometric	Rectangular	Single Blade	20	10
RBB20X12	Bypass - Barometric	Rectangular	Single Blade	20	12
RBB24X8	Bypass - Barometric	Rectangular	Single Blade	24	8



DFUSER Combination Damper/Diffuser (Modulating)

A fully modulating 24VAC stand-alone combination damper and diffuser providing variable air volume (VAV) control for both heating and cooling. Incorporates a fluidic nozzle providing each zone with exceptional temperate control and comfort. As room load varies, it modulates to provide smooth control of supply air.

- Easy installation; simple operation
- Installs in 2 ft. x 2 ft. ceiling grid
- Reduce VAV system costs by 25% or more
- Upgrade systems without replacing ductwork
- Autochangeover operation
- System compatibility: SAMOD, MODCOM, Commander (Plus)

PART NO	DESCRIPTION
DFUSER	Damper - Diffuser

ELECTRIC DUCT HEATERS



Electric Duct Heater – Insertion Type

Electric open-coil duct heaters offering low pressure drop and a wide range of voltage and heating capacities. Designed for zero clearance and a variety of applications including: space heating, auxiliary heating, and primary/secondary heating.

- Hinged access panel and latch
- Gasketed cover and vapor barrier

- Fan interlock relay
- Auto primary and manual secondary overtemperature protection
- Control panel of heavy gauge corrosion resistant steel
- Single source power entry
- Slip-in or flange mounted



PART NO	INPUT VOLTAGE (V)	NO OF PHASES	NO OF STAGES	WATTAGE @208V (kW)	WATTAGE @230V (kW)	WATTAGE @460V (kW)	CURRENT 208V (A)	CURRENT 230V (A)	CURRENT 460V (A)	DUCT HEIGHT MIN (IN)	DUCT HEIGHT MAX (IN)	DUCT WIDTH MIN (IN)	DUCT WIDTH MAX (IN)
IH-2105	208,230	1	1	3.8	5.0	—	18.0	20.8	—	8.0	12.0	8.0	16.0
IH-2110-1	208,230	1	1	7.5	10.0	—	36.1	41.7	—	8.0	14.0	12.0	20.0
IH-2110-2	208,230	1	1	7.5	10.0	—	36.1	41.7	—	10.0	16.0	10.0	18.0
IH-2115-1	208,230	1	2	11.3	15.0	—	54.1	62.5	—	8.0	12.0	18.0	24.0
IH-2115-2	208,230	1	2	11.3	15.0	—	54.1	62.5	—	10.0	14.0	15.0	22.0
IH-2120	208,230	1	2	15.0	20.0	—	72.1	83.3	—	10.0	14.0	16.0	22.0
IH-2305	208,230	3	1	3.8	5.0	—	10.4	12.0	—	8.0	12.0	8.0	16.0
IH-2310	208,230	3	1	7.5	10.0	—	20.8	24.1	—	8.0	14.0	12.0	20.0
IH-2315	208,230	3	2	11.3	15.0	—	31.2	36.1	—	10.0	14.0	15.0	22.0
IH-2320	208,230	3	2	14.9	19.9	—	41.4	47.9	—	11.0	14.0	16.0	22.0
IH-4305	460	3	1	—	—	5.0	—	—	6.0	8.0	12.0	10.0	16.0
IH-4310	460	3	1	—	—	10.0	—	—	12.0	8.0	14.0	12.0	20.0
IH-4315	460	3	2	—	—	15.0	—	—	18.0	10.0	14.0	15.0	22.0
IH-4320	460	3	2	—	—	20.0	—	—	24.1	11.0	14.0	16.0	22.0



Electric Duct Heater – Inline Type (Heat Pack)

- Improves heating system balance problems
- Insulated unit, direct install to HVAC boot or existing ductwork

- Wired or wireless thermostat control options available
- Approved for zero-clearance installation



PART NO	INPUT VOLTAGE (V)	NO OF PHASES	NO OF STAGES	WATTAGE @120V (kW)	CURRENT @120V (kW)
81-0468-00	120	1	1	12.0	1.4
81-0578-00	120	1	1	12.0	1.4

