



90RJ

Parts List
20-November-2015



*This parts list is current as of the above revision date.
See <http://www.rheempartslists.net/92-42803-90RJ.pdf> for the current revision.*

90% Gas Furnaces

Table of Contents

Model Explanation	Page 3
Parts Numbers	
Panels - Miscellaneous (04-07)	Page 4
Panels - Miscellaneous (07-12)	Page 5
Parts Bag	Page 6
Electrical Group	Page 7
Blower Group	Page 8
Heat Exchanger-Burner Group	Page 9
Gas Controls	Page 10
Orifice Selection Chart	Page 11
Drawings/Photographs	
Exploded View	Page 12
Blower Assembly	Page 13
Heat Exchanger Assembly	Page 14
Burner Assembly	Page 14
Notes/Disclaimer	Page 15

MODEL NUMBER EXPLANATION

9	0	R	J	0	4	E	E	S	0	1
1		2	3		4		5	6		7

- | | |
|---|---|
| <p>1 EFFICIENCY</p> <p>2 TYPE
R= Upflow Condensing</p> <p>3 DESIGN SERIES
J= 2nd Design Series</p> <p>4 HEATING INPUT DESIGNATION
04 = 45,000 BTU/HR
06 = 60,000 BTU/HR
07 = 75,000 BTU/HR
10 = 105,000 BTU/HR
12 = 120,000 BTU/HR</p> <p>E = Electric
N = Electric w/NOX</p> | <p>5 BLOWER DESIGNATION
E = Standard 11-7
F = Wide 12-7
G = Standard 12-11
H = Standard Cabinet 11-10</p> <p>6 FUEL DESIGNATION
S = Natural Gas</p> <p>7 NAMEPLATE LABEL</p> |
|---|---|

SERIAL NUMBER EXPLANATION

G	E	5	D	7	0	7	F	3	1	9	5	9	9	9	9
1		2	3	4	5	6	7	8		9		10			

- | | |
|--|---|
| <p>1 GAS CODE</p> <p>2 LIMIT CONTROL</p> <p>3 BLOWER</p> <p>4 HEATING ELEMENT</p> <p>5 SPECIAL AREA REQUIREMENT</p> | <p>6 MOTOR HORSEPOWER</p> <p>7 PLANT
F= Fort Smith, AR</p> <p>8 WEEK</p> <p>9 YEAR</p> <p>10 PRODUCTION NUMBER</p> |
|--|---|

No.	Notes	MODEL HEATING INPUT VARIATIONS	90RJ 04E E	90RJ 04N E	90RJ 06E E	90RJ 06N E	90RJ 07E E	90RJ 07E F
PANELS, SHEET METAL, MISCELLANEOUS								
1		Blower/Filter Door	AS-67890-08	AS-67890-08	AS-67890-08	AS-67890-08	AS-67890-08	AS-67891-08
2		Burner Compartment Door	AS-61866-08	AS-61866-08	AS-61866-08	AS-61866-08	AS-61866-08	AS-61867-08
		Thumbscrew and Insert Kit	64-24081-81	64-24081-81	64-24081-81	64-24081-81	64-24081-81	64-24081-81
3		High Pressure Switch	See Electrical Group					
4		Silicone Tubing - High Pressure Switch	AE-61737-23	AE-61737-23	AE-61737-23	AE-61737-23	AE-61737-23	AE-61737-23
5		Trap/Elbow Assembly	68-24048-01	68-24048-01	68-24048-01	68-24048-01	68-24048-01	68-24048-01
6		Hose Clamps (6)	64-22043-02	64-22043-02	64-22043-02	64-22043-02	64-22043-02	64-22043-02
7		Water Trap Mount Bracket	AE-61841-01	AE-61841-01	AE-61841-01	AE-61841-01	AE-61841-01	AE-61841-01
8		Tubing - Santoprene (31-1/2 in.)	79-25353-82	79-25353-82	79-25353-82	79-25353-82	79-25353-82	79-25353-82
9		Induced Draft Blower w/Gasket	See Electrical Group					
10		Gasket - Induced Draft Blower	68-24016-01	68-24016-01	68-24016-01	68-24016-01	68-24016-01	68-24016-01
11		Silicone Tubing - Low Pressure Switch	AE-61737-02	AE-61737-02	AE-61737-02	AE-61737-02	AE-61737-02	AE-61737-02
12		Low Pressure Switch	See Electrical Group					
13		Blower Assembly	See Blower Group					
14		Door Switch - Push Button	See Electrical Group					
15		Junction Box	AE-61475-02	AE-61475-02	AE-61475-02	AE-61475-02	AE-61475-02	AE-61475-02
16		Junction Box Cover	AE-61476-02	AE-61476-02	AE-61476-02	AE-61476-02	AE-61476-02	AE-61476-02
21		Button Plug - 1-13/32 in. (2)	45-22980-03	45-22980-03	45-22980-03	45-22980-03	45-22980-03	45-22980-03
22		Button Plug - 1-5/8 in.	45-22980-02	45-22980-02	45-22980-02	45-22980-02	45-22980-02	45-22980-02
23		Jacket	AS-61820-04	AS-61820-04	AS-61820-04	AS-61820-04	AS-61820-04	AS-61820-06
24		Baffle	AE-61876-02	AE-61876-02	AE-61875-02	AE-61875-02	AE-61875-02	AE-61876-02
25		Rear Baffle	AE-61878-01	AE-61878-01	AE-61878-01	AE-61878-01	AE-61878-01	AE-61878-02
26		Baffle	AE-61886-01	AE-61886-01	AE-61875-01	AE-61875-01	AE-61875-01	AE-61876-01
27		Locknut - Fresh Air Damper	64-24031-01	64-24031-01	64-24031-01	64-24031-01	64-24031-01	64-24031-01
28		Male Adapter	68-24028-01	68-24028-01	68-24028-01	68-24028-01	68-24028-01	68-24028-01
30	2	Outlet Air Pipe - See Note 2	68-24021-01	68-24021-01	68-24021-01	68-24021-01	68-24021-01	68-24021-01
31		Outlet Air Pipe Gasket	68-24022-02	68-24022-02	68-24022-02	68-24022-02	68-24022-02	68-24022-02
32	2	Top Plate - See Note 2	AS-61872-01	AS-61872-01	AS-61872-01	AS-61872-01	AS-61872-01	AS-61872-02
		Gasket - Top Plate	AE-61871-01	AE-61871-01	AE-61871-01	AE-61871-01	AE-61871-01	AE-61871-02
		Gasket - Front Base Angle	68-102435-01	68-102435-01	68-102435-01	68-102435-01	68-102435-01	68-102435-02
33		Vinyl Grommet - 1-5/8 in. (Before F3906)	56-22114-01	56-22114-01	56-22114-01	56-22114-01	56-22114-01	56-22114-01
33		Vinyl Grommet - 2 in. (After F3906)	56-22114-06	56-22114-06	56-22114-06	56-22114-06	56-22114-06	56-22114-06
34		Heat Exchanger Assembly	See Heat Exchanger Group					
35		Limit - Main Limit (Heat Exchanger Panel)	See Electrical Group					
37		Connector/Transition	68-24047-07	68-24047-07	68-24047-07	68-24047-07	68-24047-07	68-24047-08
38		Elbow	68-24013-01	68-24013-01	68-24013-01	68-24013-01	68-24013-01	68-24013-01
39		Tubing - Santoprene (31-1/2 in.)	79-25353-82	79-25353-82	79-25353-82	79-25353-82	79-25353-82	79-25353-82
44		Capacitor - Blower Motor	See Blower Group					
45		Capacitor - Induced Draft Blower	See Electrical Group					
46		Control Mounting Plate	See Blower Group					
48		Transformer	See Electrical Group					
		Touch-up Paint - Platinum (Aerosol)	523012	523012	523012	523012	523012	523012
		Touch-up Paint - Platinum (Paint Pens)	523013	523013	523013	523013	523013	523013
		Touch-up Paint - Gray (Aerosol)	523009	523009	523009	523009	523009	523009
		Touch-up Paint - Gray (Paint Pens)	523011	523011	523011	523011	523011	523011

No.	Notes	MODEL HEATING INPUT VARIATIONS	90RJ 07N F	90RJ 09E J	90RJ 10E G	90RJ 10N G	90RJ 12E H	90RJ 12N H
PANELS, SHEET METAL, MISCELLANEOUS								
1		Blower/Filter Door	AS-67891-08	AS-67891-08	AS-67891-08	AS-67891-08	AS-67892-08	AS-67892-08
2		Burner Compartment Door	AS-61867-08	AS-61867-08	AS-61867-08	AS-61867-08	AS-61868-08	AS-61868-08
		Thumbscrew and Insert Kit	64-24081-81	64-24081-81	64-24081-81	64-24081-81	64-24081-81	64-24081-81
3		High Pressure Switch	See Electrical Group					
4		Silicone Tubing - High Pressure Switch	AE-61737-23	AE-61737-23	AE-61737-23	AE-61737-23	AE-61737-23	AE-61737-23
5		Trap/Elbow Assembly	68-24048-01	68-24048-01	68-24048-01	68-24048-01	68-24048-01	68-24048-01
6		Hose Clamps (6)	64-22043-02	64-22043-02	64-22043-02	64-22043-02	64-22043-02	64-22043-02
7		Water Trap Mount Bracket	AE-61841-01	AE-61841-01	AE-61841-01	AE-61841-01	AE-61841-01	AE-61841-01
8		Tubing - Santoprene (31-1/2 in.)	79-25353-82	79-25353-82	79-25353-82	79-25353-82	79-25353-82	79-25353-82
9		Induced Draft Blower w/Gasket	See Electrical Group					
10		Gasket - Induced Draft Blower	68-24016-01	68-24016-01	68-24016-01	68-24016-01	68-24016-01	68-24016-01
11		Silicone Tubing - Low Pressure Switch	AE-61737-02	AE-61737-02	AE-61737-02	AE-61737-02	AE-61737-02	AE-61737-02
12		Low Pressure Switch	See Electrical Group					
13		Blower Assembly	See Blower Group					
14		Door Switch - Push Button	See Electrical Group					
15		Junction Box	AE-61475-02	AE-61475-02	AE-61475-02	AE-61475-02	AE-61475-02	AE-61475-02
16		Junction Box Cover	AE-61476-02	AE-61476-02	AE-61476-02	AE-61476-02	AE-61476-02	AE-61476-02
21		Button Plug - 1-13/32 in. (2)	45-22980-03	45-22980-03	45-22980-03	45-22980-03	45-22980-03	45-22980-03
22		Button Plug - 1-5/8 in.	45-22980-02	45-22980-02	45-22980-02	45-22980-02	45-22980-02	45-22980-02
23		Jacket	AS-61820-06	AS-61820-05	AS-61820-05	AS-61820-05	AS-61820-07	AS-61820-07
24		Baffle	AE-61876-02	AE-61875-02	AE-61875-02	AE-61875-02	AE-61875-02	AE-61875-02
25		Rear Baffle	AE-61878-02	AE-61878-02	AE-61878-02	AE-61878-02	AE-61878-03	AE-61878-03
26		Baffle	AE-61876-01	AE-61875-01	AE-61875-01	AE-61875-01	AE-61875-01	AE-61875-01
27		Locknut - Fresh Air Damper	64-24031-01	64-24031-01	64-24031-01	64-24031-01	64-24031-01	64-24031-01
28		Male Adapter	68-24028-01	68-24028-01	68-24028-01	68-24028-01	68-24028-01	68-24028-01
30	2	Outlet Air Pipe - See Note 2	68-24021-01	68-24021-01	68-24021-01	68-24021-01	68-24021-01	68-24021-01
31		Outlet Air Pipe Gasket	68-24022-02	68-24022-02	68-24022-02	68-24022-02	68-24022-02	68-24022-02
32	2	Top Plate - See Note 2	AS-61872-02	AS-61872-02	AS-61872-02	AS-61872-02	AS-61872-03	AS-61872-03
		Gasket - Top Plate	AE-61871-02	AE-61871-02	AE-61871-02	AE-61871-02	AE-61871-03	AE-61871-03
		Gasket - Front Base Angle	68-102435-02	68-102435-02	68-102435-02	68-102435-02	68-102435-03	68-102435-03
33		Vinyl Grommet - 1-5/8 in. (Before F3906)	56-22114-01	56-22114-01	56-22114-01	56-22114-01	56-22114-01	56-22114-01
33		Vinyl Grommet - 2 in. (After F3906)	56-22114-06	56-22114-06	56-22114-06	56-22114-06	56-22114-06	56-22114-06
34		Heat Exchanger Assembly	See Heat Exchanger Group					
35		Limit - Main Limit (Heat Exchanger Panel)	See Electrical Group					
37		Connector/Transition	68-24047-08	68-24047-08	68-24047-08	68-24047-08	68-24047-09	68-24047-09
38		Elbow	68-24013-01	68-24013-01	68-24013-01	68-24013-01	68-24013-01	68-24013-01
39		Tubing - Santoprene (31-1/2 in.)	79-25353-82	79-25353-82	79-25353-82	79-25353-82	79-25353-82	79-25353-82
44		Capacitor - Blower Motor	See Blower Group					
45		Capacitor - Induced Draft Blower	See Electrical Group					
46		Control Mounting Plate	See Blower Group					
48		Transformer	See Electrical Group					
		Touch-up Paint - Platinum (Aerosol)	523012	523012	523012	523012	523012	523012
		Touch-up Paint - Platinum (Paint Pens)	523013	523013	523013	523013	523013	523013
		Touch-up Paint - Gray (Aerosol)	523009	523009	523009	523009	523009	523009
		Touch-up Paint - Gray (Paint Pens)	523011	523011	523011	523011	523011	523011

No.	Notes	MODEL HEATING INPUT VARIATIONS	90RJ ALL ALL				
PARTS BAG							
		Complete Parts Bag:	AS-100717-01				
		Nylon Plug - 7/8 in. (2)	45-22926-01				
		Nylon Plug - 1-1/8 in.	45-22926-02				
		Hose Clamp - 5/8 in.	64-22043-01				
		Hose Clamp - 3/4 in. (2)	64-22043-02				
		Button Plug w/Recessed Type Head - 2 in. hole	45-22980-08				
		1/2 in. TEE	68-21980-02				
		1/2 in. PVC Pipe (4 in.)	68-22024-04				
		PVC Vane (2-13/32 in. x 1 in.)	68-23473-01				
29		O-Ring - Fresh Air Damper	68-24032-01				
		PVC Wind Vane (2-7/8 in. x 1 in.)	68-24049-01				
		Adapter/Locknut Assembly	68-24114-01				
		Vinyl Grommet - 1-5/8 in. hole (for 7/8 in. OD Pipe)	56-22114-01				
		PVC Vane (3-1/2 in. x 1-3/8 in.)	68-103677-01				
		Grommet - Blower Shelf (5/8 in. ID) - Not included in parts bag	56-22521-03				
		Grommet - Blower Shelf (1/2 in. ID) - Not included in parts bag	56-24008-01				

No.	Notes	MODEL HEATING INPUT BLOWER DESIGNATION	90RJ 04E E	90RJ 04N E	90RJ 06E E	90RJ 06N E	90RJ 07E E	90RJ 07E F
ELECTRICAL GROUP								
3	Stk	High Pressure Switch (Vent)	42-24196-01	42-24196-01	42-24196-04	42-24196-04	42-24196-01	42-24196-01
9	Stk	Induced Draft Blower w/Gasket	70-24033-01	70-24033-01	70-24033-01	70-24033-01	70-24033-01	70-24033-01
12	Stk	Low Pressure Switch (Drain)	42-24195-03	42-24195-03	42-24195-03	42-24195-03	42-24195-03	42-24195-03
14		Door Switch - Push Button	42-22692-02	42-22692-02	42-22692-02	42-22692-02	42-22692-02	42-22692-02
17		Wiring Harness - 6 pin to 6 pin and 2 flag terminals	45-24371-07	45-24371-07	45-24371-07	45-24371-07	45-24371-07	45-24371-07
18		Wiring Harness - 4 pin to 3 terminals (2 eyelets/1 insulated) and 1 strip back	45-24371-12	45-24371-12	45-24371-12	45-24371-12	45-24371-12	45-24371-12
19		Twist Lock Wiring Harness - 6 pin to (4 pin and 2 pin) and 9 pin to 8 terminals	45-24393-03	45-24393-03	45-24393-03	45-24393-03	45-24393-03	45-24393-03
20		Wiring Harness - 9 pin from IFC to 9 pin and 4 pin	45-24371-01	45-24371-01	45-24371-01	45-24371-01	45-24371-01	45-24371-01
35	Stk	Limit - Main Limit (Heat Exchanger Panel)	47-25350-06	47-25350-06	47-25350-05	47-25350-05	47-25350-09	47-25350-01
45	Stk	Capacitor - Induced Draft Blower	43-20847-43	43-20847-43	43-20847-43	43-20847-43	43-20847-43	43-20847-43
47		Integrated Furnace Control Board (IFC)	See Gas Controls					
48	Stk	Transformer	46-24124-03	46-24124-03	46-24124-03	46-24124-03	46-24124-03	46-24124-03
49	Stk	Limit - Manual Reset (Burner Compartment)	47-22861-02 (1)	47-22861-02 (1)	47-22861-02 (1)	47-22861-02 (1)	47-22861-02 (2)	47-22861-02 (2)

No.	Notes	MODEL HEATING INPUT BLOWER DESIGNATION	90RJ 07N F	90RJ 09E J	90RJ 10E G	90RJ 10N G	90RJ 12E H	90RJ 12N H
ELECTRICAL GROUP								
3	Stk	High Pressure Switch (Vent)	42-24196-01	42-24196-04	42-24196-03	42-24196-03	42-24196-02	42-24196-02
9	Stk	Induced Draft Blower w/Gasket	70-24033-01	70-24033-01	70-24033-01	70-24033-01	70-24033-01	70-24033-01
12	Stk	Low Pressure Switch (Drain)	42-24195-03	42-24195-03	42-24195-03	42-24195-03	42-24195-03	42-24195-03
14		Door Switch - Push Button	42-22692-02	42-22692-02	42-22692-02	42-22692-02	42-22692-02	42-22692-02
17		Wiring Harness - 6 pin to 6 pin and 2 flag terminals	45-24371-07	45-24371-07	45-24371-07	45-24371-07	45-24371-07	45-24371-07
18		Wiring Harness - 4 pin to 3 terminals (2 eyelets/1 insulated) and 1 strip back	45-24371-12	45-24371-12	45-24371-12	45-24371-12	45-24371-12	45-24371-12
19		Twist Lock Wiring Harness - 6 pin to (4 pin and 2 pin) and 9 pin to 8 terminals	45-24393-03	45-24393-03	45-24393-03	45-24393-03	45-24393-03	45-24393-03
20		Wiring Harness - 9 pin from IFC to 9 pin and 4 pin	45-24371-01	45-24371-01	45-24371-01	45-24371-01	45-24371-01	45-24371-01
35	Stk	Limit - Main Limit (Heat Exchanger Panel)	47-25350-01	47-25350-01	47-25350-07	47-25350-07	47-25350-01	47-25350-01
45	Stk	Capacitor - Induced Draft Blower	43-20847-43	43-20847-43	43-20847-43	43-20847-43	43-20847-43	43-20847-43
47		Integrated Furnace Control Board (IFC)	See Gas Controls					
48	Stk	Transformer	46-24124-03	46-24124-03	46-24124-03	46-24124-03	46-24124-03	46-24124-03
49	Stk	Limit - Manual Reset (Burner Compartment)	47-22861-02 (2)	47-22861-02 (2)	47-22861-02 (2)	47-22861-02 (2)	47-22861-02 (3)	47-22861-02 (3)

No.	Notes	MODEL HEATING INPUT BLOWER DESIGNATION	90RJ 04E E	90RJ 04N E	90RJ 06E E	90RJ 06N E	90RJ 07E E	90RJ 07E F	
BLOWER GROUP									
13	Stk	Blower Assembly (Includes items 40-45)	AS-61697-15	AS-61697-15	AS-61697-86	AS-61697-86	AS-61697-86	AS-61697-87	
40	Stk	Blower Wheel	70-22688-01	70-22688-01	70-22688-01	70-22688-01	70-22688-01	70-24119-01	
41		Blower Housing	AS-61674-02	AS-61674-02	AS-61674-02	AS-61674-02	AS-61674-02	AS-61674-02	
42	Stk	Blower Motor	51-26141-01	51-26141-01	51-24144-01	51-24144-01	51-24144-01	51-24146-01	
43		Motor Mount Leg (4)	AE-61698-02	AE-61698-02	AE-61698-02	AE-61698-02	AE-61698-02	AE-61698-02	
44	Stk	Capacitor - Blower Motor	43-100509-42	43-100509-42	43-100509-42	43-100509-42	43-100509-42	43-21298-43	
45		Capacitor - Induced Draft Blower	See Electrical Group						
46		Control Mounting Plate	AE-67877-01	AE-67877-01	AE-67877-01	AE-67877-01	AE-67877-01	AE-67877-01	
47		Integrated Furnace Control Board (IFC)	See Gas Controls						
48		Transformer	See Electrical Group						

No.	Notes	MODEL HEATING INPUT BLOWER DESIGNATION	90RJ 07N F	90RJ 09E J	90RJ 10E G	90RJ 10N G	90RJ 12E H	90RJ 12N H	
BLOWER GROUP									
13	Stk	Blower Assembly (Includes items 40-45)	AS-61697-87	AS-61697-91	AS-61697-88	AS-61697-88	AS-61697-89	AS-61697-89	
40	Stk	Blower Wheel	70-24119-01	70-24041-01	70-24041-01	70-24041-01	70-20602-01	70-20602-01	
41		Blower Housing	AS-61674-02	AS-61674-08	AS-61674-08	AS-61674-08	AS-61674-03	AS-61674-03	
42	Stk	Blower Motor	51-24146-01	51-24145-01	51-24146-01	51-24146-01	51-24146-01	51-24146-01	
43		Motor Mount Leg (4)	AE-61698-02	AE-61698-02	AE-61698-02	AE-61698-02	AE-61698-02	AE-61698-02	
44	Stk	Capacitor - Blower Motor	43-21298-43	43-21298-43	43-21298-43	43-21298-43	43-21298-43	43-21298-43	
45		Capacitor - Induced Draft Blower	See Electrical Group						
46		Control Mounting Plate	AE-67877-01	AE-67877-01	AE-67877-01	AE-67877-01	AE-67877-01	AE-67877-01	
47		Integrated Furnace Control Board (IFC)	See Gas Controls						
48		Transformer	See Electrical Group						

No.	Notes	MODEL HEATING INPUT BLOWER DESIGNATION	90RJ 04E	90RJ 04N E	90RJ 06E	90RJ 06N E	90RJ 07E E	90RJ 07E F
HEAT EXCHANGER, BURNER / MANIFOLD								
34	Stk	Heat Exchanger Assembly	AS-61805-22	AS-61805-22	AS-61805-23	AS-61805-23	AS-61805-24	AS-61805-26
35		Limit - Main Limit (Heat Exchanger Panel)	See Electrical Group					
49		Limit - Manual Reset (Burner Compartment)	See Electrical Group					
50		Overtemp Switch Bracket	AE-61913-02 (1)	AE-61913-02 (1)	AE-61913-02 (1)	AE-61913-02 (1)	AE-61913-02 (2)	AE-61913-02 (2)
51		Burner Shield	AE-61807-01	AE-61807-01	AE-61807-02	AE-61807-02	AE-61807-03	AE-61807-03
52		Burner Diffuser	AE-61882-06	AE-61882-06	AE-61882-05	AE-61882-05	AE-61882-01	AE-61882-01
53	Stk	Burner Assembly	AS-61984-03	AS-61984-03	AS-61984-04	AS-61984-04	AS-61984-05	AS-61984-05
54		Burner Support Bracket (2)	AE-61808-01	AE-61808-01	AE-61808-01	AE-61808-01	AE-61808-01	AE-61808-01
55		Burner Support	AE-61809-11	AE-61809-11	AE-61809-12	AE-61809-12	AE-61809-13	AE-61809-13
56	Stk	Manifold (w/o Orifices)	81-101150-01	81-101150-01	81-101150-02	81-101150-02	81-101150-03	81-101150-03
		NOX Burner Inserts	N/A	AE-67863-01 (2)	N/A	AE-67863-01 (3)	N/A	N/A
		NOX Retaining Bracket	N/A	AE-67864-06	N/A	AE-67864-01	N/A	N/A
58		Burner Orifice - Natural Gas	See Orifice Selection Chart					
58		Burner Orifice - LP	See Orifice Selection Chart					
		Number of Orifices	(3)	(3)	(4)	(4)	(5)	(5)

No.	Notes	MODEL HEATING INPUT BLOWER DESIGNATION	90RJ 07N F	90RJ 09E J	90RJ 10E G	90RJ 10N G	90RJ 12E H	90RJ 12N H
HEAT EXCHANGER, BURNER / MANIFOLD								
34	Stk	Heat Exchanger Assembly	AS-61805-26	AS-61805-25	AS-61805-27	AS-61805-27	AS-61805-28	AS-61805-28
35		Limit - Main Limit (Heat Exchanger Panel)	See Electrical Group					
49		Limit - Manual Reset (Burner Compartment)	See Electrical Group					
50		Overtemp Switch Bracket	AE-61913-02 (2)	AE-61913-02 (2)	AE-61913-02 (2)	AE-61913-02 (2)	AE-61913-02 (3)	AE-61913-02 (3)
51		Burner Shield	AE-61807-03	AE-61807-04	AE-61807-05	AE-61807-05	AE-61807-06	AE-61807-06
52		Burner Diffuser	AE-61882-01	AE-61882-02	AE-61882-03	AE-61882-03	AE-61882-04	AE-61882-04
53	Stk	Burner Assembly	AS-61984-05	AS-61984-06	AS-61984-07	AS-61984-07	AS-61984-08	AS-61984-08
54		Burner Support Bracket (2)	AE-61808-01	AE-61808-01	AE-61808-01	AE-61808-01	AE-61808-01	AE-61808-01
55		Burner Support	AE-61809-13	AE-61809-14	AE-61809-15	AE-61809-15	AE-61809-16	AE-61809-16
56	Stk	Manifold (w/o Orifices)	81-101150-03	81-101150-04	81-101150-05	81-101150-05	81-101150-06	81-101150-06
		NOX Burner Inserts	AE-67863-01 (4)	N/A	N/A	AE-67863-01 (6)	N/A	AE-67863-01 (7)
		NOX Retaining Bracket	AE-67864-02	N/A	N/A	AE-67864-04	N/A	AE-67864-05
58		Burner Orifice - Natural Gas	See Orifice Selection Chart					
58		Burner Orifice - LP	See Orifice Selection Chart					
		Number of Orifices	(5)	(6)	(7)	(7)	(8)	(8)

No.	Notes	MODEL GAS CODE	90RJ EB	90RJ EC	90RJ FW	90RJ FX
GAS CONTROLS						
47	Stk	Integrated Furnace Control Board (IFC)	62-24268-01	62-24268-01	62-24192-01	62-24192-01
57	Stk	Gas Valve - Natural Gas	60-22866-01	60-23490-01	60-23490-01	60-22866-01
57	Stk,1	Gas Valve - LP	See Note 1	See Note 1	See Note 1	See Note 1
59		Ignitor Bracket	AE-61581-01	AE-61581-01	AE-61581-01	AE-61581-01
60	Stk	Ignitor	62-22868-02	62-22868-02	62-22868-02	62-22868-02
61		Ignitor Shield	AE-61627-01	AE-61627-01	AE-61627-01	AE-61627-01
62	Stk	Flame Sensor	62-23543-01	62-23543-01	62-23543-01	62-23543-01
LP Conversion Kit:						
	Stk	U.S. Models 0-8000'	FP-02	FP-02	FP-02	FP-02
	Stk	Canadian Models 0-4500'	FP-05	FP-05	FP-05	FP-05
	Stk	U.S. Models 8000'+	FP-03	FP-03	FP-03	FP-03

No.	Notes	MODEL GAS CODE	90RJ GA	90RJ GC	90RJ GE	90RJ GF
GAS CONTROLS						
47	Stk	Integrated Furnace Control Board (IFC)	62-24268-02	62-24268-02	62-24268-02	62-24192-01
57	Stk	Gas Valve - Natural Gas	60-22866-01	60-23490-01	60-100394-01	60-100394-01
57	Stk,1	Gas Valve - LP	See Note 1	See Note 1	See Note 1	See Note 1
59		Ignitor Bracket	AE-61581-01	AE-61581-01	AE-61581-01	AE-61581-01
60	Stk	Ignitor	62-22868-02	62-22868-02	62-22868-02	62-22868-02
61		Ignitor Shield	AE-61627-01	AE-61627-01	AE-61627-01	AE-61627-01
62	Stk	Flame Sensor	62-23543-01	62-23543-01	62-23543-01	62-23543-01
LP Conversion Kit:						
	Stk	U.S. Models 0-8000'	FP-02	FP-02	FP-02	FP-02
	Stk	Canadian Models 0-4500'	FP-05	FP-05	FP-05	FP-05
	Stk	U.S. Models 8000'+	FP-03	FP-03	FP-03	FP-03

90% GAS FURNACE - ORIFICE SELECTION CHART - NATURAL GAS

CAUTION: Selection of the correct Natural Gas Orifice requires the following information for the specific installation:

- 1) Altitude in of the installation (ft.).
- 2) Average energy content of the Natural Gas fuel from the local supplier (BTU/cu. ft.).

For detailed information and instructions for Orifice selection, see the Gas Furnace LP Conversion Kit Index 92-21519-59 and the latest edition of the National Fuel Gas Code Handbook, or the National Standard of Canada, Natural Gas and Propane Installation Code, CAN B149.1.

CAUTION: This information is provided for replacement purposes only. Conversion for operation at High Altitude must be done using the kit specified on the product specification sheet for the unit.

NOTE: This Orifice sizing chart is based on 15,000 BTU/HR per burner.

NOTE: Factory installed orifices are calculated and sized based on a Natural Gas heating value of 1075 BTU/cu. ft. and an elevation of 0 - 2000 ft.

Energy Value (BTU/cu. ft.)	Elevation (ft.)							
	0 - 1999	2000 - 2999	3000 - 3999	4000 - 4999	5000 - 5999	6000 - 6999	7000 - 7999	8000 - 8999
850	62-22175-47	62-22175-48	62-22175-48	62-22175-49	62-22175-49	62-22175-49	62-22175-50	62-22175-50
900	62-22175-48	62-22175-49	62-22175-49	62-22175-49	62-22175-50	62-22175-50	62-22175-50	62-22175-51
975	62-22175-49	62-22175-50	62-22175-50	62-22175-50	62-22175-51	62-22175-51	62-22175-51	62-22175-52
1075	62-22175-50	62-22175-51	62-22175-51	62-22175-51	62-22175-51	62-22175-52	62-22175-52	62-22175-52
1170	62-22175-51	62-22175-51	62-22175-52	62-22175-52	62-22175-52	62-22175-53	62-22175-53	62-22175-53

90% GAS FURNACE - ORIFICE SELECTION CHART - LP

CAUTION: Selection of the correct LP Orifice requires the altitude of the specific installation (ft.).

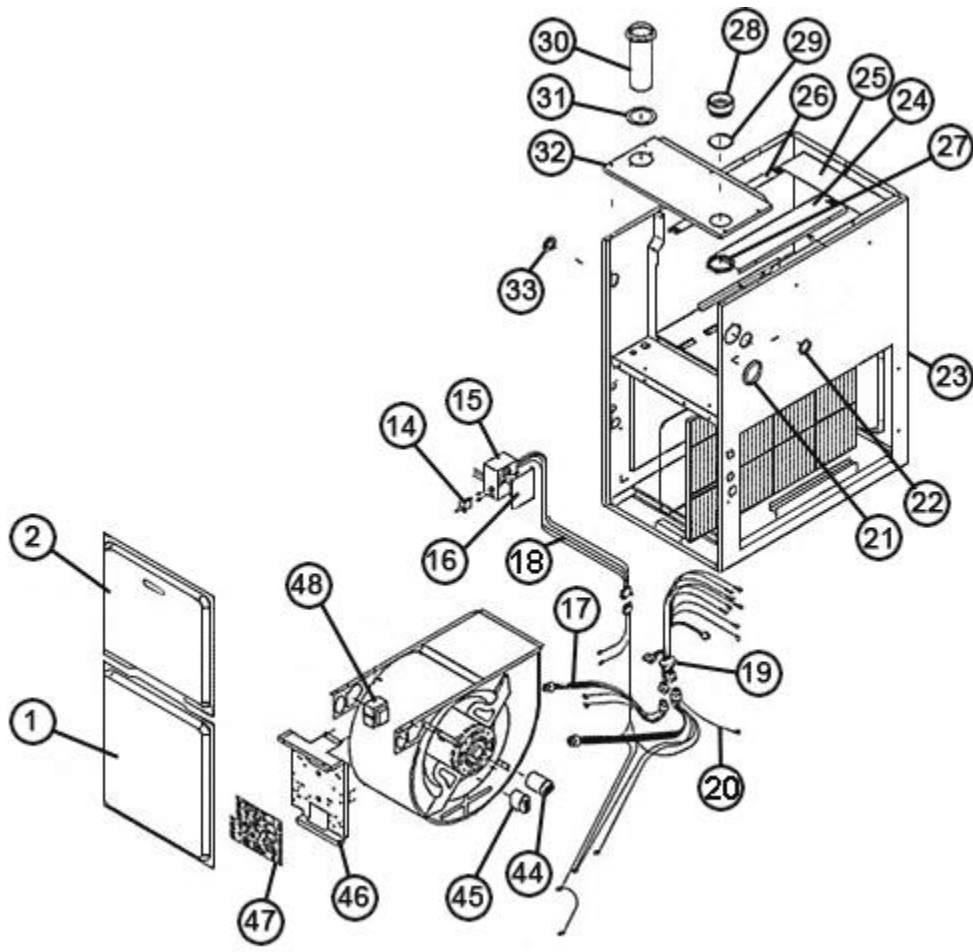
For detailed information and instructions for Orifice selection, see the Gas Furnace LP Conversion Kit Index 92-21519-59 and the latest edition of the National Fuel Gas Code Handbook (NFG), or the National Standard of Canada, Natural Gas and Propane Installation Code, CAN B149.1.

CAUTION: This information is provided for replacement purposes only. Conversion to LP or for operation at High Altitude should be done using the kit(s) specified on the product specification sheet for the unit.

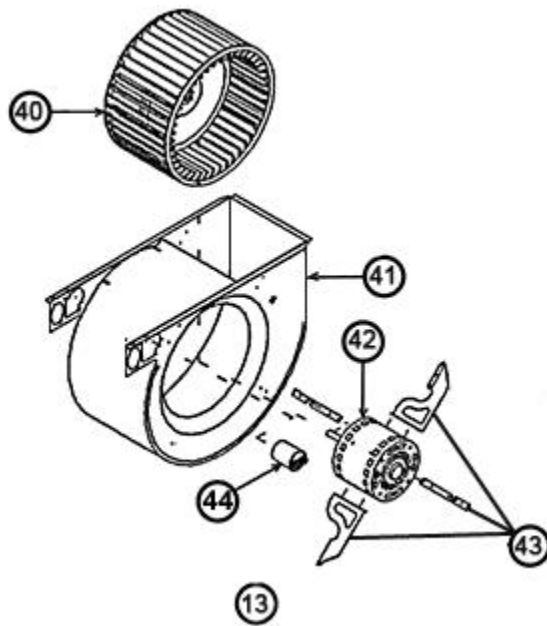
NOTE: This Orifice sizing chart is based on 15,000 BTU/HR per burner. Also, the chart is developed using the specified pressure setting of 10 in. water column instead of the 11.0 in water column used by the NFG and CANB149.1.

NOTE: Orifices supplied in the LP Conversion Kit are calculated and sized based on an altitude of 0 - 2000 ft.

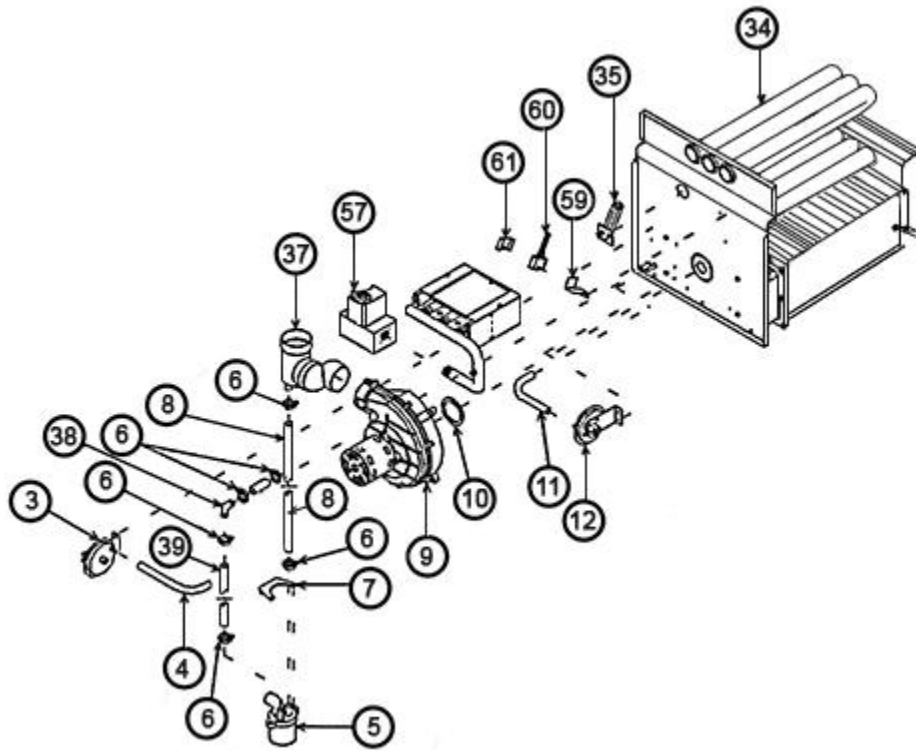
Elevation (ft.)	Orifice							
0 to 2000 ft.	62-22175-91							
2001 to 3000	62-22175-91							
3001 to 4000	62-22175-90							
4001 to 5000	62-22175-58							
5001 to 6000	62-22175-59							
6001 to 7000	62-22175-60							
7001 to 8000	62-22175-62							
8001 to 9000	62-22175-63							
9001 to 1000	62-22175-64							



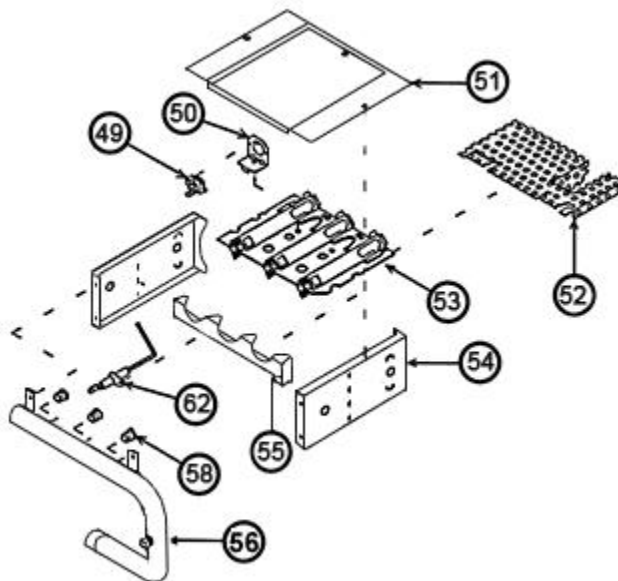
Exploded View



Blower Assembly



Heat Exchanger Assembly



Burner Assembly

NOTES

Stk It is recommended that stock be maintained for this part.

N/A Not Applicable

- 1 Order Gas Valve for Natural Gas along with LP Conversion Kit.
- 2 When replacing the Outlet Air Pipe on units produced before approximate date 04-14-97, it is recommended that the Top Plate Assembly also be replaced. Units produced after this date have a larger outlet pipe hole diameter in the Top Plate for taper that was added to the flange end of the Outlet Air Pipe (68-24021-01).

DISCLAIMER: This document is intended to provide general replacement parts information to aid qualified service personnel in the repair of these models. The complete Model and Serial Number of the unit under repair should be specified when selecting and ordering replacement parts. Specifications and illustrations are subject to change without notice. Document 92-42803-90RJ supersedes all previous parts lists for these models. See <http://www.rheempartslists.net/92-42803-90RJ> for the latest revision of this document. The manufacturer assumes no obligation for errors or omissions. Service personnel must verify the proper and safe operation of equipment after the replacement of any original components.