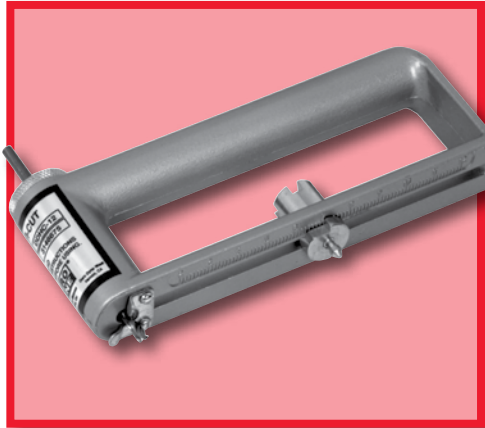




Tool Division



PRODUCT CATALOG



HARDI
Heating, Air-Conditioning & Refrigeration Distributors International



TABLE OF CONTENTS

PRODUCT	INFORMATION PAGE #
ACCESSORY TOOLS	3
DRILL BITS	3
DRILL CHUCKS	7
DYN-O-TIE INSTALLATION TOOL	4
HVAC TOOLS	5
KNIVES & REPLACEMENT BLADES	6
MAGNETIC MATERIALS HANDLER	6
PLIERS	6
RIVET GUN	6
SNIPS, SHEARS, SCISSORS & SNIP ACCESSORIES	7-9
TAPES & RULES	10
TOOL STARTER KIT	11
WIRE CUTTERS	11
WRENCHES	11

ACCESSORY TOOLS

Duct Stretcher - Offset

It is used to pull duct together from either direction with a single hand. The offset design eliminates knuckle contact with the duct. Adjustable wheels allow for varying distances. It has a non-slip handle grip.



Item #	Description	L x W inches x inches	Shelf Pack Wt. lb.	Shelf Pack
818140	ODS15	15 x 1/2	2.50	1

Trammel Point Tool

The hardened replaceable tips, designed for longer life, are held in position by a socket head screw. The high tension locking spring, with cushioned finger grips, holds the adjustable trammel rods firmly in position.



Item #	Description	Minimum Radius inches	Maximum Radius inches	Shelf Pack Wt. lb.	Shelf Pack
818112	DTP-18	2	23	0.5	1
818113	DTP-18RP			.08	1

Circular Steel Gage

A circular gage is made of heavy steel and is used for determining steel thickness from 0 through 36 gage. Manufactured with 300 series Stainless Steel. It comes with its own protective storage case.



Item #	Description	Diameter inches	Shelf Pack Wt. lb.	Shelf Pack
818015	323W	3-3/8	0.18	1

Edge Scribe

The stainless steel edge scribe provides a simple and easy marking of metal sheets. An attached magnet helps keep the tool within reach. It marks dimensions of 1/8", 3/16", 1/4", 5/16", 3/8", 1/2", 5/8", 3/4", and 1".



Item #	Description	Shelf Pack Wt. lb.	Shelf Pack
10015	DDX Stainless Steel Magnetic Edge Scribe	1.5	20

DRILL BITS

Super T Bits

Duro Dyne Drill Bits have a 135° split point which starts and cuts quickly without walking. Specially hardened high vanadium steel makes the bit harder and longer lasting than many others on the market. A heavy web makes the bit more flexible to minimize breakage.



Item #	Description	Size	Decimal Size	Overall Length in inches +/- 1/8	Shelf Pack Wt. lb.	Shelf Pack (minimum)
24004	TD-1/8	1/8	.1250	1-7/8	.25	10
24005	TD-30	#30	.1285	1-15/16	.25	10
24010	TD-3/16	3/16	.1875	2-3/16	.25	10
24012	TD-7/32	7/32	.2187	2-3/8	.25	10
24013	TD-1/4	1/4	.2500	2-1/2	.25	10
24014	TD-9/32	9/32	.2812	2-11/16	.25	10
24020	TDB-1/8	1/8	.1250	1-7/8	1	100
24021	TDB-30	#30	.1285	1-15/16	1	100
24028	TDB-7/32	7/32	.2187	2-3/8	1	100
24029	TDB-1/4	1/4	.2500	2-1/2	1	100
24030	TDB-9/32	9/32	.2812	2-11/16	1	100

DYN-O-TIE INSTALLATION TOOL

This DIT-2 gun is commonly used to install most makes of nylon duct ties. For nylon ties, tighten the tie with the gun until the proper tension is reached and then squeeze the secondary handle to clip off the excess tie material.

For Duro Dyne stainless steel ties, use the DIT-1SS. Tension the tie in the tool (with the nose piece adapter installed). To maintain tension, before removing the tool from the stainless steel tie bend the tie up 90°. Then remove the tool, flatten the excess and fold the locking finger over the flattened excess.



Item#	Description	Overall Length inches	Shelf Pack
8229	DIT-2	1	1

HAMMERS

Steel Tinner's Hammer

It is available in one convenient weight. This 18 ounce hammer is made of one piece polished solid steel with an industrial strength rubber grip fastened securely in place.



Item#	Description	Head Wt. oz.	Overall Length Inches	Shelf Pack Wt. lb.	Face	Shelf Pack
838396	DDTH-18 - Rubber Grip	18	11-3/4	1.90	Polished	1
818115	HM16 - Hickory Mallet	16	11-3/4	1.90	Polished	1

HOLE CUTTER & REPLACEMENT PARTS

Hole Cutter

The hole cutter will cut holes in light gage metal, aluminum, plastics and Formica up to a maximum hole diameter of 12". It has an easy read scale from 2" to 12".



Item#	Description	Minimum Diameter inches	Maximum Diameter inches	Shelf Pack Wt. lb.	Shelf Pack
818116	DDHC12	2	12	1	1

Hole Cutter Replacement Bit

The replacement bit is a three fluted cutting bit. This mill style bit is designed to cut from the side. The bit comes with the drill attachment rod and a safety cap.

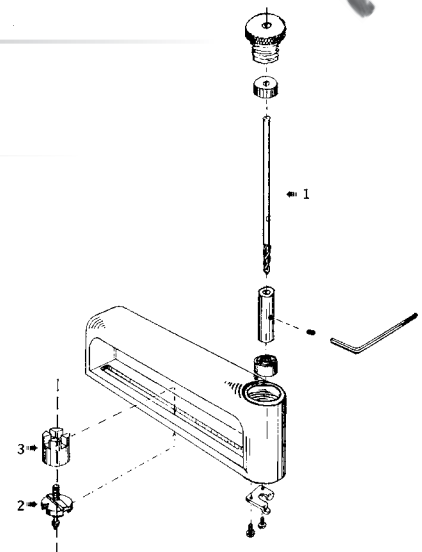


Item#	Description	Shelf Pack Wt. lb.	Shelf Pack
818118	DDHC12-RB	2 oz.	6

Hole Cutter Replacement Part List

Description	Part #
1 Standard Bit for DDHC-12	818118
2 Pivot Pin	818129
3 Pivot Pin Nut	818130

Assembly: Simply Assemble the Parts as Shown on the Parts List.



HVAC TOOLS

3-Blade Hand Crimper

An ideal tool for repairs in the field, it has a matte black finish with red Plastisol grips. It is a compound action tool for crimping up to 22 and 24 gauge sheet metal.



Item#	Description	Throat Depth inches	Overall Length inches	Shelf Pack Wt. lb.	Shelf Pack
822002	HC-3V	1-1/4	9-1/4	2.63	3

5-Blade Hand Crimper

An ideal tool for joining sheet metal pipes of the same size. The pipes can be corrugated, round or square. It is great for repairs in the field. It has a matte black finish with red plastisol grips. It is a compound action tool for crimping up to 22 and 24 gage.



Item#	Description	Throat Depth inches	Overall Length inches	Shelf Pack Wt. lb.	Shelf Pack
822006	HC-5V	1-1/4	9-1/4	3.00	3

Hand Notcher

The notcher has high leverage compound action handles for fast and easy cutting. It produces a true 30° V-shaped cut in sheet metal. The tool features clean notching without slip-page. It has a matte black finish with red plastisol grips.



Item#	Description	Jaw Depth inches	Cutting Angle	Overall Length inches	Shelf Pack Wt. lb.	Shelf Pack
822010	HN-1V	13/16	30°	8-1/2	3.00	3

Hand Seamer

The seamer has high leverage compound action handles for easy metal bending and flattening. It produces a permanent tight fitting seam. The jaw has 1/4" incremental depth marks. The tool has a matte black finish with red plastisol grips. It is recommended for use on steel up to 18 gage.



Item#	Description	Jaw Depth inches	Jaw Width Inches	Overall Length inches	Shelf Pack Wt. lb.	Shelf Pack
822014	HS-1V	1/4 - 1-1/4	3-1/4	8-3/4	4.31	3

Offset Hand Seamer

The seamer has high leverage, offset, compound action handles for easy metal bending and flattening. It produces a permanent tight fitting seam. The jaw has 1/4" incremental depth marks. The tool has a matte black finish with red plastisol grips. It is recommended for use on steel up to 18 gage.



Item#	Description	Jaw Depth inches	Overall Jaw Width Inches	Length inches	Shelf Pack Wt. lb.	Shelf Pack
822021	HS-2	1/4 - 1-1/4	3-1/4	8-3/4	8.63	3

Replacement Spring

The spring is used on all Wiss HVAC Tools.

Item#	Description	Shelf Pack
822024	P4113-908N	10

KNIVES & REPLACEMENT BLADES

WK-8V Knife - Retractable Blade

A popular all purpose retractable knife for home, professional and industrial use. The easy run slide can use all Wiss RWK replacement blades. It has four blade positions including retracted.



Item#	Description	Shelf Pack	Case Qty.	Skid
823001	WK-8V	12	48	1728

Double Edged Knife

Knife is handy for cutting fiberglass insulation, duct board and flex duct walls and insulating jackets.



Item#	Description	Dimensions inches	Shelf Pack Wt. lb.	Shelf Pack
818114	DEK-6 6" Double Edged Knife	11 x 4 x 1	0.32	1

RWK-14 Replacement Blade - Rapid-Change™ Heavy Duty .025" Carded, Wrapped, Bulk, Dispenser

This is the most popular heavy duty blade for industrial, professional and home applications. It also fits the WK-8 knife.



Item#	Description	Shelf Pack	Case Qty.	6 Case Qty.
823038	RWK-14V - Blade - Carded	20 Cards - (100 Blades)	400 Cards - (2000 Blades)	2400 Cards - (12,000 Blades)
823041	RWK-14D - Blades in dispenser	Dispenser - (100 Blades)	20 Dispensers - (2000 Blades)	120 Dispensers (12,000 Blades)

MAGNETIC MATERIALS HANDLER

This lightweight magnetic materials handler, with five pounds of holding power, has a "T" handle release. It is designed for easy one-hand operation.



Item#	Description	Dimensions inches	Shelf Pack Wt. lb.	Shelf Pack
22003	Mighty Mag	9 x 5 x 2	2.48	1

LOCKING PLIER

Locking Seamer



Item#	Description	Overall Length inches	Shelf Pack Wt. lb.	Shelf Pack
818322	DDL8	8	1.15	1

RIVET GUN

Designed for 1/8", 5/32", 3/16" diameter rivets. The pin from installed rivets is released through the front of the tool. The tool is made of cast aluminum alloy with plastic handle grips for comfort.



Item#	Description	Approx. Ctn. Dim. in. x in. x in.	Shelf Pack Wt. lb.	Shelf Pack
22110	PR-6 for Rivet dia. 1/8", 5/32", 3/16"	9 x 5 x 2	2	1

DRILL CHUCKS

Drill Screw™ Chucks

Duro Dyne chucks are made of hardened steel and utilize a permanent magnet to keep screws firmly in place. The hex shank is designed to fit most drill motors and screw "guns". DCL-14 is utilized with screws having a 1/4" head, DCL-516 is utilized with screws having a 5/16" head.



Item#	Description	Shaft Length inches	Overall Length inches	Shelf Pack Wt. lb.	Shelf Pack (Minimum)
16018	DC14	1	1-3/4	1	10
16019	DC516	1	1-3/4	1	10
16008	DCL14	1	2-5/8	1.50	10
16009	DCL516	1	2-5/8	1.50	10
16015	DCXL14	1	6	1.00	1
16016	DCXL516	1	6	1.00	1
Bulk Pack					
16021	DC14B	1	1-3/4	15	100
16022	DC516B	1	1-3/4	15	100
16012	DCL14B	1	2-5/8	13-3/4	100
16013	DCL516B	1	2-5/8	15	100
16024	DCXL14B	1	6	22	100
16025	DCXL516B	1	6	22	100

SNIPS

Heavy Duty Wiss Snips

Heavy Duty Wiss Snips are designed for increased durability, consistent control and exceptional comfort. Cuts up to 18 ga low carbon steel. They are available in Straight, Right and Left cutting models. The compound-leverage mechanism requires 20% less force to cut and the comfort handle reduces fatigue. Integrated stops make sure the blades open all the way for maximum length of cut and a pivot bolt is designed for long life.



Item#	Description	Overall Length inches	Length of cut inches	Recommended max. capacity low carbon cold rolled steel	Shelf Pack Wt. lb.	Shelf Pack
820022	M1XHD - Red Handles Cuts Left	9-3/4	1-1/4	18 Gage Steel - 0.049"	5.90	6
820023	M2XHD - Green Handles Cuts Right	9-3/4	1-1/8	18 Gage Steel - 0.049"	5.90	6
820024	M3XHD - Yellow Handles Cuts Straight	9-3/4	1-1/8	18 Gage Steel - 0.049"	5.90	6

Metalmaster® Compound Action Snips

The non-slip serrated jaws of Wiss Metalmaster snips are made of tough, wear-resistant molybdenum steel to provide the durability demanded by the compound lever action and to withstand the severe strain of cutting heavy stock or tight curves. The handles are formed of special high strength steel and have a margin of strength far above the amount of hand pressure that can be applied.



Item#	Description	Overall Length inches	Length of cut inches	Recommended max. capacity low carbon cold rolled steel	Shelf Pack Wt. lb.	Shelf Pack
820001	M-1R - cuts left from tight curves to straight-red grips	9-3/4	1-3/8	18 Gage Steel - 0.049"	5.25	6
820004	M-2R - cuts right from tight curves to straight-red grips	9-3/4	1-3/8	18 Gage Steel - 0.049"	5.25	6
820007	M-3R - cuts straight (or wide curves left or right in light stock). Accomplishes most metal cutting requirements of the home craftsman. - yellow grips	9-3/4	1-1/2	18 Gage Steel - 0.049"	5.25	6

Metalmaster® Special Series Snips

Metalmaster special series snips utilize a hardening process designed for unusual industrial requirements such as cutting today's space age metals, like inconel, stainless steel and titanium.



Item#	Description	Overall Length inches	Length of cut inches	Recommended max. capacity low carbon cold rolled steel	Shelf Pack Wt. lb.	Shelf Pack
820014	M1R-S1 - Cuts left - Blue Grips	9-3/4	1-3/8	18 Gage Steel - 0.049"	84	6
820015	M2R-S1 - Cuts right - Blue Grips	9-3/4	1-3/8	18 Gage Steel - 0.049"	84	6

Metalmaster® Compound Action Bulldog Snip

This snip is designed for notching or trimming extra heavy stock.



Item#	Description	Overall Length inches	Length of cut inches	Recommended max. capacity low carbon cold rolled steel	Shelf Pack Wt. lb.	Shelf Pack
820018	M-5R - Red Grips curves to straight-red grips	9-1/4	7/8	18 Gage Steel - 0.65"	4.38	6

Metalmaster® Offset Snips

Offset blades keep the material being cut away from hands and allow straight or circle cuts to be made easily. The handles are color coded for easy blade identification; red grips circle left, green grips circle right.



Item#	Description	Overall Length inches	Length of cut inches	Recommended max. capacity low carbon cold rolled steel	Shelf Pack Wt. lb.	Shelf Pack
820010	M-6R - Red Grips circle left	9-1/4	1-1/4	18 Gage Steel - 0.049"	5.25	6
820011	M-7R - Green Grips circle right	9-1/4	1-1/4	18 Gage Steel - 0.049"	5.25	6

Wiss Aluminum Snips

Half the weight of comparable forged snips. Sleek head design allows material to easily flow over snip while cutting. Slim nose ideal for making cuts in tight places and reaching corners. Handle rings designed for added comfort and greater cutting leverage. Designed to cut up to 22 Ga cold rolled steel. Available in 12" and 14".



Item#	Description	Overall Length inches	Length of cut inches	Recommended max. capacity low carbon cold rolled steel	Shelf Pack Wt. lb.	Shelf Pack
818132	HR12	12"	3	22 Gage Steel	1	1
818133	HR14	14"	3-1/4	22 Gage Steel	1.10	1

HVAC Compound Action Pipe & Duct Snip

The HM-41V can make straight cuts, curved cuts or any combination of the two. The cutting jaws are formed of high carbon tool steel. The handles are formed of special high strength steel and have a margin of strength far above the amount of hand power that can be applied. The HM-41V is widely used in the heating and air conditioning industry as a pipe and duct snip. It is popular for cutting many rigid non-metallic sheet materials such as fiberglass panels, decorative plastic kitchen laminates*, synthetic shingles, flooring materials and lots more. The Wiss HM-41V features a patented ball-bearing jaw action that automatically adjusts the blade clearance for squarer, cleaner cuts. It cuts a 11/64" wide strip and curls it away from the operator's hands. This snip has a matte black finish and cushion grip red handles.

*When cutting laminates, the finished surface should be on the side of the center blade to avoid excessive cracking.



Item#	Description	Overall Length inches	Length of cut inches	Recommended max. capacity low carbon cold rolled steel	Shelf Pack Wt. lb.	Shelf Pack
822018	HM-41V	9-1/4	9/16	20 Gage Steel - 0.035"	2.31	6

Bulldog Pattern Snip

Bulldog snip provide greater cutting power for notching, nibbling and chopping heavy stock. Cushion grip red handles provide comfort and better grip.

Item#	Description	Overall Length inches	Length of cut inches	Recommended max. capacity low carbon cold rolled steel	Shelf Pack Wt. lb.	Shelf Pack
821019	W-5N	16-1/2	2-1/2	16 Gage Steel - 0.065"	3.63	1



Duckbill Combination Pattern Snip

Duckbill pattern snip feature the advantage of cutting moderately tight curves to the left or right in light stock as well as cutting straight. The Duckbill snip is very popular with both home craftsman and professional artisans for light duty metal cutting because of its great versatility. Cushion grip red handles provide comfort and better grip.

Item#	Description	Overall Length inches	Length of cut inches	Recommended max. capacity low carbon cold rolled steel	Shelf Pack Wt. lb.	Shelf Pack
821010	V-19N	13	3	21 Gage Steel	13.44	6



Straight Pattern Snips

Straight pattern snips are primarily for straight cuts although they can cut wide curves when trimming light gage stock. The inside face of the blade is flat which tends to guide the tool along a straight cut. Cushion grip red handles provide comfort and better grip.

Item#	Description	Overall Length inches	Length of cut inches	Recommended max. capacity low carbon cold rolled steel	Shelf Pack Wt. lb.	Shelf Pack
821016	W-7N	14-1/2	4	18 Gage Steel - 0.065"	3.63	1
821001	A-13N	7"	1-3/4	23 Gage Steel	5.50	6



Heavy Duty Industrial Shears - INLAID® Blades

The black handled snip has hot drop-forged and polished blades with the patented SET-EASY® pivot.

Item#	Description	Overall Length inches	Length of Cut inches	Shelf Pack Wt. lb.	Shelf Pack
824069	22	12-1/4	6-1/8	6.75	6



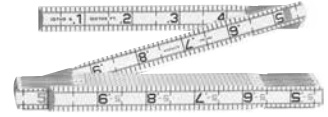
Repair Parts for Snips & Industrial Cutting Tools

Item#	Description	Shelf Pack
825024	P406 - Replacement Spring (M1/3/5/7R)	10
825025	P407 - Replacement Spring (M2/6R)	10

TAPES & RULES

Red End®

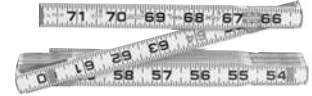
The rule is white and marked on both sides, both edges to 1/16ths. 16 inch stud centers are marked in red. The 066 is regular outside reading. The 066F is inside reading, keeping the measurement close to work.



Item#	Description	W x L inches x feet	Shelf Pack Wt. lb.	Shelf Pack
812010	066F	5/8 x 6	1.64	6

Red End® - Two Way®

This rule is for measuring left to right and right to left. Flat, inside markings lie close to the work. It is marked both sides, both edges in feet, inches and 1/16ths.



Item#	Description	W x L inches x feet	Shelf Pack Wt. lb.	Shelf Pack
812016	966	5/8 x 6	1.70	6

Stainless Steel Circumference Rule

The rule is stainless steel .060" thick with black etched numbering and markings spaced for a 1/16" scale. Circumference equivalents are shown on the face and in tables on the back.



Item#	Description	T x W x L inches x inches x feet	Shelf Pack Wt. lb.	Shelf Pack
818019	DDCR-4	1/16 x 1-1/4 x 4	1.04	1

700 Series Magnetic End Hook

The magnetic end hook is a time saver for HVAC installers, framers and all contractors where metal beams or nails are used. It is great for one-man operations. Powerful, dual magnets hold the tip firmly in position and can also serve as a pick-up tool. It has a non-slip molded rubber grip and the steel reinforced end hook along with the clear coated blade ensure long life.



Item#	Description	W x L inches x feet	Blade Style	Shelf Pack Wt. lb.	Shelf Pack
810171	L725MAG	1 x 25	A5	8.72	8

Series 1000 Power Tapes

Tapes have an improved high-visibility blaze orange label and a black ergonomic grip case made of high impact plastic. The top-positioned toggle lock provides sure control and a rubber shock absorber cushions the easy to read blade return. The tapes have a removable belt clip and a virtually unbreakable end hook.



Item#	Description	W x L inches x feet	Blade Style	Shelf Pack Wt. lb.	Shelf Pack
810162	HV1312	3/4 x 12	A2	2.4	6
810163	HV1316	3/4 x 16	A2	2.9	6

TOOL STARTER KIT

Tool Starter Kit

This starter set includes all of the hand tools necessary for both the sheet metal craftsman as well as the apprentice.

Item#	Description	L x W x H in. x in. x in.	Shelf Pack Wt. lb.	Shelf Pack
818320	TKS1 - Hand Tool Starter Kit	12-1/2x12-1/2x16-1/2	24.8	1
Includes:				
820001	M1R - Wiss Metalmaster Aviation Snips - Cuts left - 18 gage capacity			1
820004	M2R - Wiss Metalmaster Aviation Snips - Cuts right - 18 gage capacity			1
820007	M3R - Wiss Metalmaster Snips - Cuts Straight - 18 gage capacity			1
820018	M5R - Wiss Metalmaster Snips - Bulldog - for notching or trimming - 16 gage capacity			1
822018	HM41V - Wiss Metalmaster Aviation Snips - for pipe & duct, & non-metallic sheet material - 20 gage capacity			1
822002	HC3V - Wiss 3-Blade Crimper			1
822010	HN1V - Wiss Notcher			1
822014	HS1V - Wiss Hand Seamer			1
823001	WK8V - Wiss Retractable Blade (4 positions)			1
823038	RWK14V - Wiss Heavy Duty (.025") Replacement Blades - Pkg. of 5			1
10015	SSES - Duro Dyne stainless steel magnetic edge scribe			1
838396	DDTH18 - 18 oz. Tinner's Hammer			1
16008	DCL14 - Duro Dyne hex shank Drill Chuck - 2-5/8" long - for 1/4" hex head screws			2
16009	DCL516 - Duro Dyne hex shank Drill Chuck - 2-5/8" long - for 5/16" hex head screws			2



- Included free with purchase:
- Shop Apron
 - (100) pack of screws - HH Pro-Points
 - (100) pack of screws - HH Sabers
 - Bucket & Bucket Wrap

WIRE CUTTERS

Pocket Wire Rope Cable Cutter

This top quality pocket-size cutter is perfectly designed to cut up to 1/8" wire rope, cable, piano wire or aircraft cable. It has plastisol handles and exposed metal surfaces are coated with a rust preventative finish. The spring action shear-cut blades automatically open when handle pressure is removed.

Item#	Description	Weight lb.	Overall Length inches	Cable cap inches
894075	DTWRC - 8.5" Wire Cutter	1	7-1/2	WC6-CL23
30344	DTWRC12 - Hand Held Wire Rope Cutter for WC8-CL25 ONLY	3	19	WC8-CL25

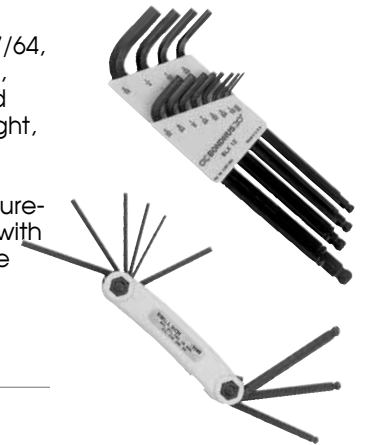


WRENCHES

Hex Key Sets

The 9 pc. fold up key set contains two types of wrenches; the six smaller sizes, (5/64, 3/32, 7/64, 1/8, 9/64 and 5/32, have chamfered ends, while the three larger sizes, (3/16, 7/32, and 1/4), are ball points. The ball points allow angled entry up to 25°. All hex keys are manufactured from industrial quality hardened steel. This sturdy unit is designed with a strong, but lightweight, high visibility, ergonomically designed hardened plastic case for comfort and longevity. The 12 piece L-wrench design is packaged in a key case that will lock the wrenches in place. Simply slip wrenches into their individually marked slots and twist to lock them securely in place. The sizes range from .050 to 5/16". The short side of the L-wrench is designed with a chamfered end while the long side has a ball point for those hard to reach places. The ball points allow entry up to 25°. All wrenches are manufactured from hardened steel.

Item#	Description	Socket Size inches	Shelf Pack Wt. lb.	Shelf Pack
818100	FKS-9	5/64, 3/32, 7/64, 1/8, 9/64, 5/32, 3/16, 7/32, 1/4	8 oz.	1
818102	BLX-12	.050 - 5/16	9 oz.	1



Reversible Ratchet Wrenches

This is a fully reversible ratchet wrench for refrigeration and air conditioning work. It has four clearly marked socket sizes - 3/16" and 1/4" on one end, 3/16" and 3/8" on the other. It handles refrigeration packing gland nuts, valve stem sockets and beam-clamp installations. A quick flip lever reverses instantly. It features rugged, compact construction with smooth edges for comfortable use. It is finished in polished chrome.

Item#	*Description	Overall Length inches	Socket Size inches	Shelf Pack Wt. lb.	Shelf Pack
881021	RS2H	5-1/4	3/16, 1/4, 5/16, 3/8	1.66	1



*"H" denotes skin pack.

Please Visit Our Website
www.durodyne.com
for the most current product information.



© Duro Dyne Corp.
Printed in USA 8/16/17
BB000011

Duro Dyne East Division, Bay Shore, NY	631-249-9000	Fax: 631-249-8346
Duro Dyne Midwest Division, Hamilton, OH	513-870-6000	Fax: 513-870-6005
Duro Dyne West Division, Fontana, CA	562-926-1774	Fax: 562-926-5778
Duro Dyne Canada, Lachine, Quebec, Canada	514-422-9760	Fax: 514-636-0328

www.durodyne.com E-mail: durodyne@durodyne.com