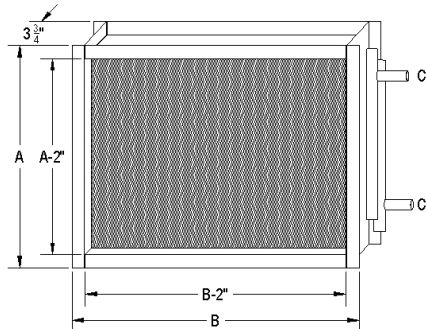


ATQ Series 2 Row Hot Water Duct Coils



- ARI 410 Certified
- Galvanized Steel 16 Ga. frame
- Aluminum Fins, .0060 thickness
- Copper Tubing, 1/2" w/ .015 wall
- Max 500 PSI Operating Pressure
- Max 2500 PSI Ultimate Pressure
- BTU outputs from 14,000 to 120,000
- Horizontal/Vertical Installation
- Full one year warranty
- Call for other performance criteria ratings

Part #	GPM	CFM	BTUH	APD	A	B	C
ATQ-2-0712	4	200	14,920	.08	9.5	14	7/8
		300	19,400	.15			
		400	23,010	.25			
ATQ-2-1024	7.2	800	50,270	.15	12	26	7/8
		900	53,860	.19			
		1000	57,160	.22			
ATQ-2-1212	4	400	27,360	.10	14.5	14	7/8
		500	31,360	.15			
		600	34,830	.21			
ATQ-2-1215	7.2	600	38,880	.14	14.5	17	7/8
		700	42,650	.19			
		800	46,070	.23			
ATQ-2-1218	7.2	800	49,180	.17	14.5	20	7/8
		900	52,640	.21			
		1000	55,820	.25			
ATQ-2-1224	7.2	1100	65,250	.18	14.5	26	7/8
		1200	68,490	.21			
		1300	71,520	.24			
ATQ-2-1236	7.2	1600	91,990	.17	14.5	38	7/8
		1800	97,840	.21			
		2000	103,150	.25			

Part #	GPM	CFM	BTUH	APD	A	B	C
ATQ-2-1515	7.2	700	45,400	.14	17	17	7/8
		800	49,180	.17			
		900	52,640	.21			
ATQ-2-1518	7.2	900	56,080	.15	17	20	7/8
		1000	59,610	.18			
		1100	62,880	.22			
ATQ-2-1520	7.2	1100	65,250	.18	17	22	7/8
		1200	68,490	.21			
		1300	71,520	.24			
ATQ-2-1524	7.2	1400	79,390	.20	17	26	7/8
		1500	82,360	.22			
		1600	85,170	.25			
ATQ-2-1530	7.2	1700	94,990	.19	17	32	7/8
		1800	97,840	.21			
		1900	100,560	.23			
ATQ-2-1536	7.2	2000	109,740	.18	17	38	7/8
		2200	115,070	.22			
		2400	119,950	.25			

Performance data based on 65° EAT, 180° EWT

Direct Coil Inc. TEL: (613) 544-2200 FAX: (613) 544-7779

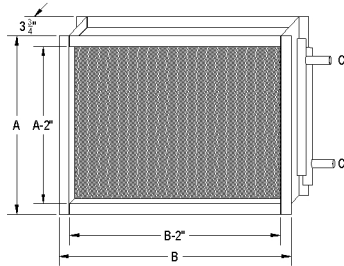
D-VAC Sales Inc.- Sales & Engineering Office
 TEL: (516) 256-3131 FAX: (516) 599-2000



"A" SERIES COILS

IN STOCK
AVAILABLE FOR NEXT DAY DELIVERY

ATQ Series 2 & 3 Row Hot Water Duct Coils



- ARI 410 Certified
- Galvanized Steel 16 Ga. frame
- Aluminum Fins, .0060 thickness
- Copper Tubing, 1/2" w/ .015 wall
- Max 500 PSI Operating Pressure
- Max 2500 PSI Ultimate Pressure
- BTU outputs from 30,000 to 140,000
- Horizontal/Vertical Installation
- Full one year warranty
- Call for other performance criteria ratings

Part #	GPM	CFM	BTUH	APD	A	B	C
ATQ-2-1718	7.2	1100	66,350	.17	19.5	20	7/8
		1200	69,670	.19			
		1300	72,780	.22			
ATQ-2-1724	7.2	1400	83,610	.15	19.5	26	1 1/8
		1500	86,830	.17			
		1600	89,890	.19			
ATQ-2-1730	7.2	1700	99,900	.15	19.5	32	1 1/8
		1900	105,920	.18			
		2100	111,410	.21			
ATQ-2-1736	10	2200	125,370	.17	19.5	38	1 1/8
		2400	131,170	.19			
		2600	136,570	.22			
ATQ-2-2020	7.2	1300	74,660	.15	22	22	7/8
		1500	80,390	.19			
		1700	85,460	.23			
ATQ-2-2025	7.2	1600	90,150	.14	22	27	7/8
		1800	95,640	.17			
		2000	100,580	.21			
ATQ-2-2030	10	2100	119,020	.17	22	32	1 1/8
		2300	124,760	.19			
		2500	130,070	.22			
ATQ-2-2036	10	2600	141,530	.18	22	38	1 1/8
		2800	146,810	.20			
		3000	151,740	.22			

Part #	GPM	CFM	BTUH	APD	A	B	C
ATQ-2-2525	7.2	2100	111,650	.16	27	27	1 1/8
		2400	118,790	.19			
		2700	125,070	.24			
ATQ-3-1215	7.2	500	43,930	.16	14.5	17	7/8
		600	49,990	.21			
		700	55,300	.28			
ATQ-3-1520	7.2	800	66,090	.16	17	22	7/8
		900	71,320	.19			
		1000	76,170	.23			
ATQ-3-2020	7.2	1100	85,840	.17	22	22	7/8
		1200	90,460	.19			
		1300	94,800	.22			
ATQ-3-2025	7.2	1400	105,550	.17	22	27	7/8
		1500	109,840	.19			
		1600	113,880	.21			
ATQ-3-2030	10	1700	132,900	.17	22	32	1 1/8
		1800	137,600	.19			
		1900	142,110	.21			
ATQ-3-2525	10	1800	135,530	.19	27	27	1 1/8
		1900	139,890	.21			
		2000	144,050	.23			

Performance data based on 65° EAT, 180° EWT

Direct Coil Inc. TEL: (613) 544-2200 FAX: (613) 544-7779

D-VAC Sales Inc.- Sales & Engineering Office
 TEL: (516) 256-3131 FAX: (516) 599-2000