



DIRECT VENT COUNTERFLOW WALL FURNACE



Installation and Operating Instructions



ENGLISH

Click here for the full manual or click on the links below to quickly locate what you're looking for:

ESPAÑOL

Haga clic aquí para ver el manual completo o haga clic en los siguientes enlaces para localizar rápidamente lo que está buscando:

FRANÇAIS

Cliquez ici pour le manuel complet ou cliquez sur les liens ci-dessous pour localiser rapidement ce que vous recherchez:

Introduction	2
Specifications & Dimensions	2
Safety	3
Clearances	4-5
Location	6
Installation	6-7
Operation	7
Lighting Instructions	8-9
Pilot Adjustment	10
Removing Burner	10
Proper Burner Flame	10
Schematic Drawings	11
Terminal Block Wiring	12
Manual Reset	12
Maintenance Instructions	12
Optional Side Discharge Kit	13
Parts (Drawings & List)	14-17
Additional Kits	18-19
Trouble Shooting	20-22
Warranty	23

Introducción	2
Especificaciones y dimensiones	2
Seguridad	3
Liquidaciones	4-5
Ubicación	6
Instalación	6-7
Operación	7
Instrucciones de iluminación	8-9
Ajuste del piloto	10
Extracción del quemador	10
Llama apropiada del quemador	10
Dibujos esquemáticos	11
Cableado del bloque de terminales ...	12
Reinicio manual	12
Instrucciones de mantenimiento	12
Kit de descarga lateral opcional	13
Piezas (dibujos y lista)	14-17
Kits adicionales	18-19
Solución de problemas	20-22
Garantía	23

Introduction	2
Spécifications et dimensions	2
Sécurité	3
Liquidations	4-5
Emplacement	6
Installation	6-7
Opération	7
Instructions d'éclairage	8-9
Réglage pilote	10
Suppression du brûleur	10
Proper Burner Flame	10
Dessins schématiques	11
Câblage des borniers	12
Réinitialisation manuelle	12
Instructions de maintenance	12
Kit de déchargement latéral optionnel	13
Pièces (dessins et liste)	14-17
Kits supplémentaires	18-19
Déficiences	20-22
Garantie	23



DIRECT VENT COUNTERFLOW WALL FURNACE



INSTALLATION AND OPERATING INSTRUCTIONS



24 VOLT SYSTEM WITH LOW-BTU PILOT

MODEL NUMBERS		
NAT. GAS	DVCF403C-H	DVCF553C-H
L.P. GAS	DVCF404C-H	DVCF554C-H

INSTALLER: Leave this manual with the appliance.

CONSUMER: Retain this manual for future reference.

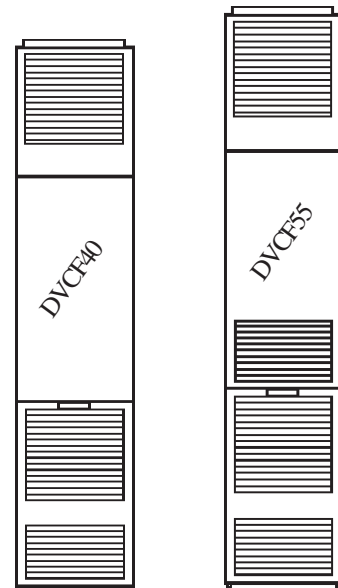
24 VOLT SYSTEM W/INTERMITTENT IGNITION (IID)

MODEL NUMBERS		
NAT. GAS	DVCF407C-H	DVCF557C-H
L.P. GAS	DVCF408C-H	DVCF558C-H

The coating selected to provide longer life to the heat exchanger may smoke slightly upon initial firing. Please provide adequate ventilation if this occurs.

WARNING: If the information in this manual is not followed exactly, a fire or explosion may result causing property damage, personal injury or death.

- Do not store or use gasoline or other flammable vapors and liquids in the vicinity of this or any other appliance.
- **WHAT TO DO IF YOU SMELL GAS:**
- Do not try to light any appliance.
- Do not touch any electrical switch; do not use any phone in your building.
- Immediately call your gas supplier from a neighbor's phone. Follow the gas supplier's instructions.
- If you cannot reach your gas supplier, call the fire department.
- **INSTALLATION AND SERVICE MUST BE PERFORMED BY A QUALIFIED INSTALLER, SERVICE AGENCY OR THE GAS SUPPLIER.**



WARNING: Operation of this furnace without the properly installed, furnished vent system and vent cap could result in Carbon Monoxide (CO) poisoning and possible death. For your safety, this furnace and the vent system should be inspected at least annually by a qualified service technician.

This unit is for residential use only and is not approved for installation in greenhouses, or environments involving dusty, wet, corrosive, or explosive conditions. Such conditions will invalidate the warranty and may create unsafe conditions.

Installation, maintenance, service, troubleshooting and repairs must be performed by a qualified service agency. Mr./Mrs. Homeowner, **DO NOT** attempt any of these procedures yourself as this could expose you to property damage, personal injury or loss of life and will invalidate all warranties.

The appliance may be installed in an aftermarket permanently located, manufactured (mobile) home, where not prohibited by local codes. This appliance is only for use with the type of gas indicated on the rating plate. This appliance is not convertible for use with other gases, unless a certified kit is used.

The State of Massachusetts requires that installation and service of a gas appliance be performed by a plumber or gas fitter licensed in the Commonwealth of Massachusetts.

CONTENTS

Introduction 2
 Specifications & Dimensions 2
 Safety 3
 Clearances 4-5
 Location 6
 Installation 6-7

 Operation 7
 Lighting Instructions 8-9
 Pilot Adjustment 10
 Removing Burner 10
 Proper Burner Flame 10
 Schematic Drawings 11
 Terminal Block Wiring 12
 Manual Reset 12

 Maintenance Instructions 12
 Optional Side Discharge Kit 13
 Parts (Drawings & List) 14-17
 Additional Kits 18-19

 Trouble Shooting 20-22
 Warranty 23

INTRODUCTION

Read these installation and operating instructions carefully before you install or attempt to use this Direct Vent Counterflow Wall Furnace. If you do not understand any part of the instructions, consult local authorities, a qualified installer, service technician or the gas supplier. **FAILURE TO READ OR UNDERSTAND THESE INSTRUCTIONS CAN RESULT IN MALFUNCTION, INEFFICIENT OPERATION, PROPERTY DAMAGE, SERIOUS INJURY OR DEATH.**

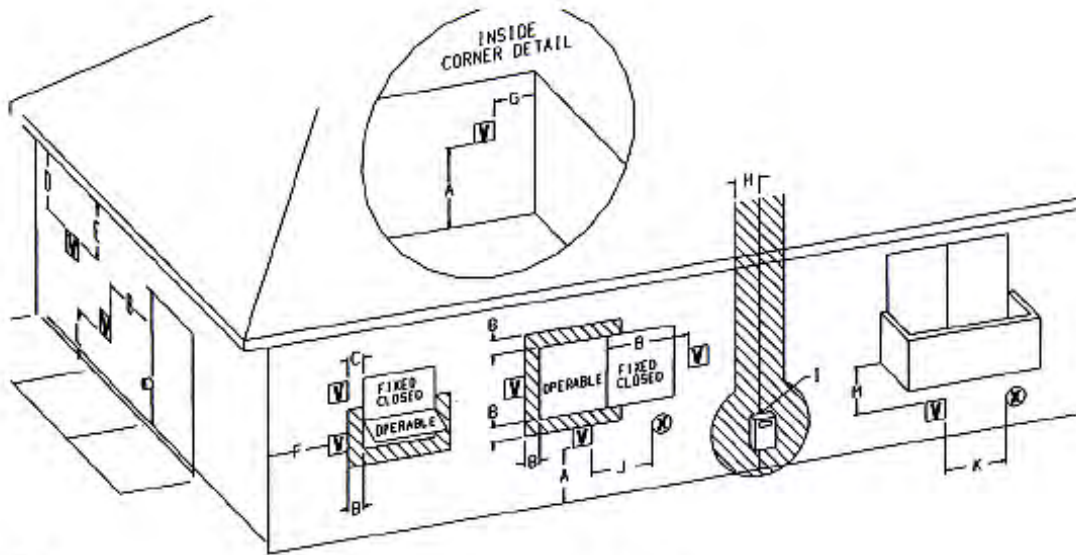
SPECIFICATIONS AND DIMENSIONS

Your Direct Vent Counterflow Wall Furnace is shipped in two cartons. One carton contains the furnace, thermostat, thermostat wire and insulated staples. The second carton will have the vent tube, air intake tube and vent cap assembly. After the furnace has been removed from the carton check the rating plate to verify that the model number is correct and that the wall furnace is equipped with the type gas you intend to use.

Model Number	Type Control	Type Gas	Btu/Hr. Input	Gas Inlet	Gas Inlet	Finished Dimensions	Blower Speed	Amps	CFM	Approx. Ship. Wt.
24 VOLT SYSTEM WITH LOW-BTU STANDING PILOT										
DVCF403C-H	24 Volt	Nat.	40,000	½"		14-5/16"Wx78-5/8"Hx11-3/4"D	1	1.95	320	130 Lbs.
DVCF404C-H	24 Volt	L.P.	40,000	½"		14-5/16"Wx78-5/8"Hx11-3/4"D	1	1.95	320	130 Lbs.
DVCF553C-H	24 Volt	Nat.	55,000	½"		14-5/16"Wx87-5/16"Hx11-3/4"D	1	3.05	440	144 Lbs.
DVCF554C-H	24 Volt	L.P.	55,000	½"		14-5/16"Wx87-5/16"Hx11-3/4"D	1	3.05	440	144 Lbs.
24 VOLT SYSTEM WITH INTERMITTENT IGNITION (I.I.D.)										
DVCF407C-H	24 Volt	Nat.	40,000	½"		14-5/16"Wx78-5/8"Hx11-3/4"D	1	2.2	320	130 Lbs.
DVCF408C-H	24 Volt	L.P.	40,000	½"		14-5/16"Wx78-5/8"Hx11-3/4"D	1	2.25	320	130 Lbs.
DVCF557C-H	24 Volt	Nat.	55,000	½"		14-5/16"Wx87-5/16"Hx11-3/4"D	1	3.3	440	144 Lbs.
DVCF558C-H	24 Volt	L.P.	55,000	½"		14-5/16"Wx87-5/16"Hx11-3/4"D	1	3.35	440	144 Lbs.

SAFETY RULES

1. This appliance must be installed in accordance with local codes, if any; if not, follow the National Fuel Gas Code, ANSI Z223.1/NFPA 54 or the Natural Gas and Propane Installation Code, CSA-B149.1.
2. Follow all applicable local codes and ordinances. If there are none, follow the latest edition of the National Fuel Gas Code, ANSI.Z223.1. A copy may be obtained from American Gas Association, 1515 Wilson Blvd., Arlington, Virginia 22209, or the National Fire Protection Association, Batterymarch Park, Quincy, MA. 02269. In Canada, see the current CAN1-B149 installation code, available from International Approval Services, 55 Scarsdale Road, Don Mills, Ontario, Canada M3B-2R3.
3. The appliance, when installed, must be electrically grounded in accordance with local codes or, in the absence of local codes, with the latest edition of National Electrical Code, ANSI/NFPA70. In Canada, see the current CSA C22.2 Canadian Electrical Code, available from International Approval Services, 178 Rexdale Boulevard, Etobicoke, Ontario, Canada M9W 1R3.
4. Do not install this furnace in a recreational vehicle or trailer.
5. Do not operate this furnace unless it is connected to the supplied vent system with vent cap in place. Do not attempt to extend vent pipes. 12 inches is maximum length.
6. Never use a match, candle, flame or other source of ignition to check for gas leaks. Use only soapy water or liquid detergent.
7. Before cleaning or servicing, turn off the gas and allow furnace to cool.
8. Do not operate furnace without grilles and front panel in place.
9. Due to high temperatures, locate furnace out of traffic and away from furniture and drapes.
10. Children and adults should be alerted to the hazard of high surface temperature and should be kept away to avoid burns or clothing ignition.
11. Young children should be carefully supervised when they are in the same room with the furnace.
12. Do not place clothing or other flammable material on or near the furnace.
13. Installation and repair should be done by a qualified service technician. The furnace should be inspected before use and at least annually by a professional service technician. More frequent cleaning may be required due to excessive lint from carpeting, bedding material, etc. It is imperative that control compartments, burners, and circulating air passageways of the furnace be kept clean.
14. Do not put anything around the furnace or vent cap that will obstruct the flow of combustion and ventilation air.
15. When installing the furnace allow adequate accessibility clearances for servicing and proper operation. (See Figure 1 – Page 5).
16. The wall furnace should be located near the center of the area to be heated for optimal heat distribution. If the wall furnace is installed directly on carpeting, tile or any combustible material other than wood flooring, the wall furnace shall be installed on a metal plate or wood panel secured to the floor, extending the full width and depth of the wall furnace. If a side register kit is to be installed, see Page 14.
17. Do not use this heater if any part has been under water. Immediately call a qualified service technician to inspect the heater and to replace any part of the control system which has been under water.
18. For your safety, this furnace is equipped with a manual reset auxiliary limit switch. In case of failure by the primary limit switch, this switch will shut the valve down completely before unsafe temperatures are reached. After a cool down period, switch must be manually reset. If outages persist, call a qualified service person.
19. Side discharge kit boots must not exceed 10 inches.
20. Locate the auxiliary limit switch and push in the red reset button. This will reset the switch in case it accidentally opened during shipping.



V Vent Terminal
 X Air Supply Inlet
 ▨ Area where terminal is not permitted

VENT TERMINAL CLEARANCES

REFERENCE LETTER TO DRAWING	CANADIAN INSTALLATIONS ¹	U.S. INSTALLATIONS ²
A = Clearance above grade, veranda, porch, deck, or balcony	12 Inches (30 cm)	12 Inches (30 cm)
B = Clearance to window or door that may be opened	12 Inches (30 cm)	DVCF40__ 9 Inches (23 cm) DVCF55__ 12 Inches (30 cm)
C = Clearance to permanently closed window	12 Inches (30 cm)	DVCF40__ 9 Inches (23 cm) DVCF55__ 12 Inches (30 cm)
D = Vertical clearance to ventilated soffit located above the terminal within a horizontal distance of 2 Feet (61 cm) from the center line of the terminal	18 Inches (46 cm)	18 Inches (46 cm)
E = Clearance to unventilated soffit	24 Inches (61 cm)	24 Inches (61 cm)
F = Clearance to outside corner	12 Inches (30 cm)	12 Inches (30 cm)
G = Clearance to inside corner	12 Inches (30 cm)	12 Inches (30 cm)
H = Clearance to each side of center line extended above meter/ regulator assembly	3 Feet (91 cm) within a height 15 Feet (4.5m) above the meter/regulator assembly	Clearance in accordance with local installation codes and the requirements of the gas supplier
I = Clearance to service regulator vent outlet	3 Feet (91 cm)	Clearance in accordance with local installation codes and the requirements of the gas supplier
J = Clearance to nonmechanical air supply inlet to building or the combustion air inlet to any other appliance	12 Inches (30 cm)	DVCF40__ 9 Inches (23 cm) DVCF55__ 12 Inches (30 cm)
K = Clearance to a mechanical air supply inlet	6 Feet (1.83 m)	3 Feet (91 cm) above if within 10 Feet (3 m) horizontally
L = Clearance above paved sidewalk or paved driveway located on public property	7 Feet (2.13m) A vent shall not terminate directly above a sidewalk or paved driveway that is located between two single family dwellings and serves both dwellings.	Clearance in accordance with local installation codes and the requirements of the gas supplier.
M = Clearance under veranda, porch, deck, or balcony	12 Inches (30 cm) permitted only if veranda, porch, deck, or balcony is fully open on a minimum of two sides.	Clearance in accordance with local installation codes and the requirements of the gas supplier.

¹ In accordance with the current CSA-B149.1 Natural Gas and Propane Installation Code

² In accordance with the current ANSI Z223.1 / NFPA 54 National Fuel Gas Code

CLEARANCES

1. The minimum clearance to a side wall is 4". (See Fig. 1). **NOTE:** The unit may be recessed and rest directly against side studs and the inside surface of the rear wall.
2. The minimum clearance to the ceiling is 4". (See Figure 1).
3. The minimum clearance to the floor is 0". (See Figure 1).
4. The minimum clearance from the side of the vent cap to any protruding obstructions, or corners is 12". (See Figure 2b).
5. The minimum clearance from any window to the side of the vent cap is 9" for DVCF403, 404, 407 and 408C (See Figure 2), and 12" for DVCF553, 554, 557, and 558C (See Figure 2b).
6. The minimum clearance from any overhanging projection is 24" to top of vent cap (See Figure 2).
7. **RESIDENTIAL GARAGE INSTALLATION:** Gas utilization equipment in residential garages shall be installed so that all burners and burner ignition devices are located not less than 18 inches (46 cm) above the floor. Such equipment shall be located, or protected so it is not subject to damage by a moving vehicle. Use care in selecting a good location within the garage. **DO NOT** locate the appliance where heated air will be directed onto a nearby parked vehicle. Paint may discolor or rubber may harden and crack. **DO NOT** allow heated discharge air to blow directly onto open or closed containers of paint, gasoline or other liquids having flammable vapors.

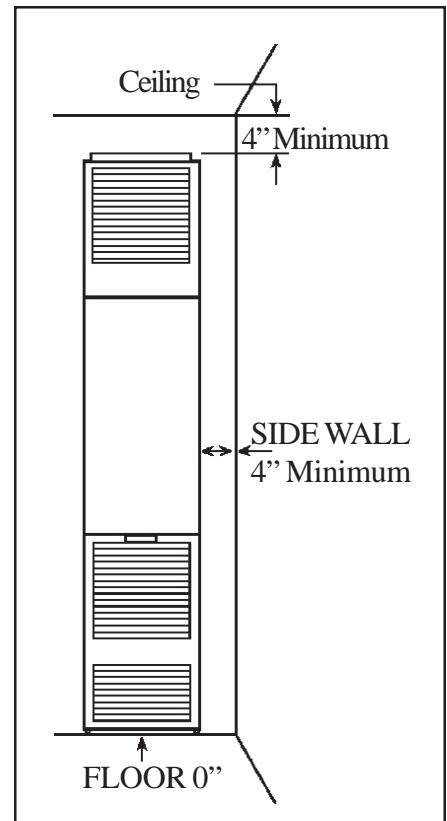


FIGURE 1

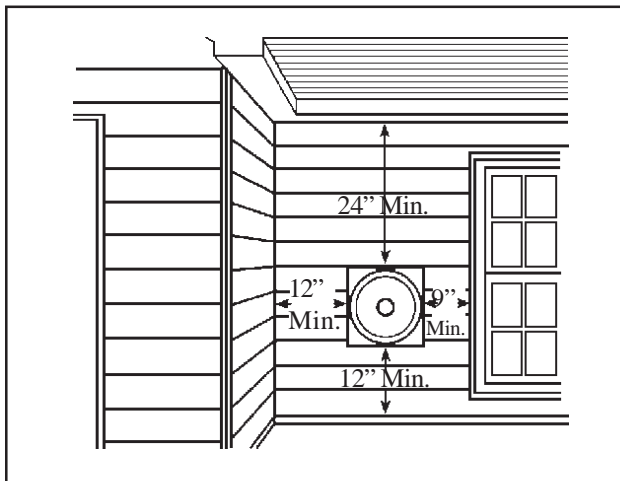


FIGURE 2 / DVCF403C, 404C, 407C, AND 408C

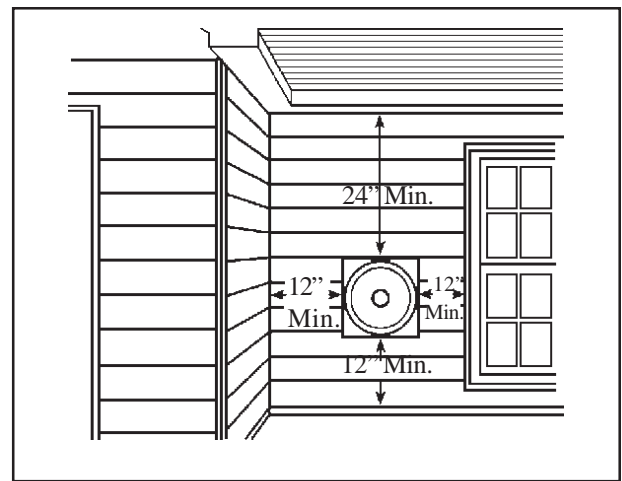


FIGURE 2B / DVCF553C, 554C, 557C, AND 558C

LOCATIONS

1. This furnace must be installed on an outside wall and vented to the outside. If possible, this wall should be on the side of the house that receives the least amount of wind since strong gusting winds could cause pilot outage.
2. For most efficient performance, locate furnace as centrally as possible in the area to be heated.
3. The furnace can be installed flush against a wall or recessed up to 10" maximum. For proper combustion, make sure unit is level front to back and side-to-side.
4. Do not install the furnace in a closet, alcove or small hallway where the furnace could be isolated from the space to be heated by closing a door.
5. Be sure the vent cap will have the proper clearances (See Figure 2).
6. Check inside the wall to make sure there are no obstacles such as water pipes, electric wiring, etc. which could interfere with the installation of the furnace or vent tubes.
7. Be sure to maintain adequate accessibility clearances for servicing and proper operation.
8. If the furnace is installed in a basement, a 12" clearance must be maintained between ground level and the bottom of the vent cap. Do not install furnace where vent cap will terminate in a window well or any other opening below ground level.

INSTALLATION

ELECTRICAL ROUGH-IN

For convenience, this furnace is equipped with a three-prong power cord located on the top left of heater. The 115V wiring should be brought in on the left side terminating in a receptacle box (not provided). Consult local codes or ordinances. (For Amps, see Page 2/Specifications and Dimensions).

ROUGH-IN GAS SUPPLY

Install a 1/2 inch diameter gas supply line. The gas line can enter the cabinet through the right side or bottom (See Figure 3). The gas line must have an individual manual shut off valve. Also, you must install a drip leg and provide a 1/8" N.P.T. plugged tapping, accessible for test gauge connection, immediately upstream of the gas supply connection to the furnace (See Figure 4).

The furnace and its individual shut off valve must be disconnected from the gas supply piping system during any pressure testing of that system at test pressures in excess of 1/2 psig (3.5kPa). The furnace must be isolated from the gas supply piping system by closing its individual manual shut off valve during any pressure testing of the gas supply piping system at test pressures equal to or less than 1/2 psig (3.5kPa).

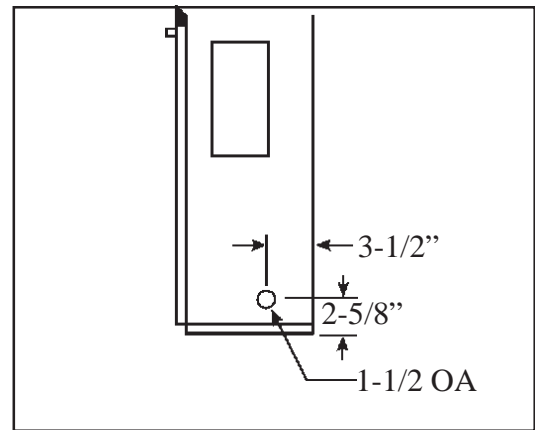


FIGURE 3

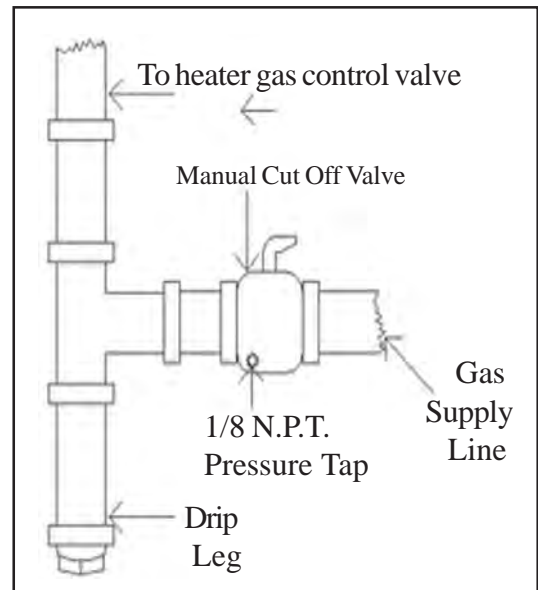


FIGURE 4

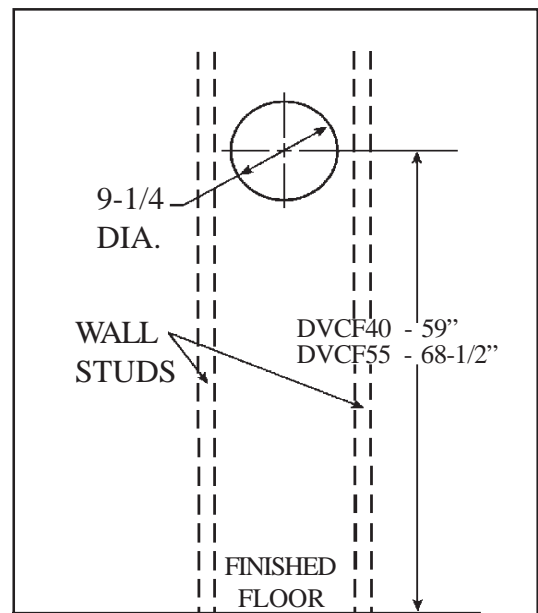


FIGURE 5

LOCATE VENT OPENING

After the location of the heater has been determined, the opening for the vent pipe should be cut. If the heater is to be recessed, cut out opening for heater between studs on the interior wall and cut out the floor plate between the studs, so heater will set flat on floor as all dimensions are given from a finished floor. The height of the cut out for a 40,000 BTU model is 78-5/8", for the 55,000 models the cut out height is 87-5/16". NOTE: This dimension may be increased to allow more room for installation and making the wiring connection, then refinished.

Next, cut out a 9-1/4" opening in exterior wall for the vent tubes to pass through. The center of opening for the 40,000 BTU furnace is 59", the center for opening for 55,000 BTU furnace is 68-1/2". See Figure 5, on Page 6.

If the heater is to be surfaced mounted, cut out 9-1/4" opening through the interior and exterior wall. The center of cut out will be 59" for 40,000 BTU and 68-1/2" for 55,000 BTU models. Be sure both cutouts are level with each other.

INSTALLING THE FURNACE

The vent system supplied with this furnace will accommodate walls 3/4" (when recessed) up to 12" thick. Use only the exhaust tube, air intake tube and vent cap supplied with heater. Do not attempt to lengthen the exhaust or air intake tubes, this could cause an imbalance in the heater resulting in poor performance and pilot outage (See Figure 6).

Measure exact distance "X" between surface on which back of cabinet will rest (inside of recessed cavity or face of wall when freestanding) and the outside wall surface (see Figure 6).

Inlet Air Tube "A" – Measuring from gasketed surface, mark and cut pipe same as dimension "X". Remove any burrs.

Vent Exhaust Tube "B" – Measuring from gasketed surface, mark and cut pipe 1-3/4" greater than dimension "X". Remove any burrs.

Fasten vent exhaust tube "B" to heat exchanger collar and Inlet Air Tube "A" to flange on back of furnace using 16 # 3/8 screws ("C") provided. Be sure gaskets are in place and not damaged. Anytime the vent pipes are removed check and replace gaskets (if necessary). Failure to replace missing or damaged gaskets may expose homeowner to life threatening conditions.

Secure furnace in place using 2 holes provided in bottom of casing. NOTE: Make sure both tubes are centered in cut out. Slide the vent cap onto the pipes extending from the back of the furnace. A rotating or twisting motion will ease this installation. Secure vent cap and vent cap spacer plate to wall causing the vent tubes to have a slight downward pitch. This will prevent water from entering. Anchors (not provided) may be required. Caulk around vent cap spacer plate with caulking provided. NOTE: Some framing may be necessary to provide a flat surface against the vent cap spacer plate and to prevent rain from entering the wall opening.

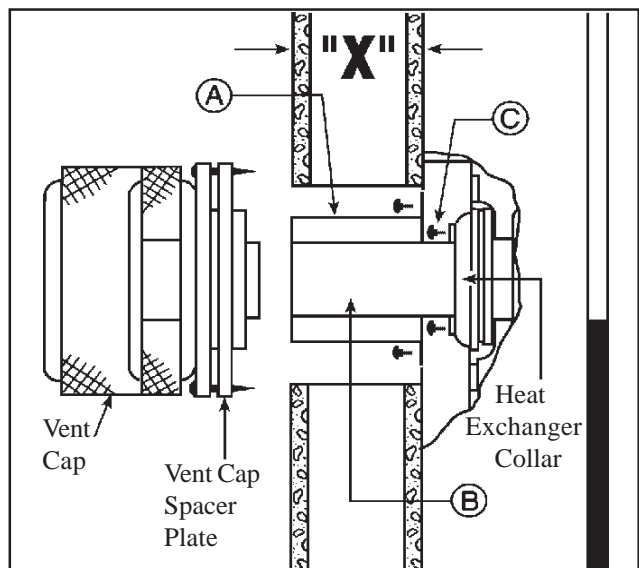


FIGURE 6

GAS CONNECTION

Make the gas connection between the manual shut off valve and the furnace gas control valve with approved 1/2" connectors. Compounds used on threaded joints of gas piping shall be approved for use with L.P. gas. The gas lines must be checked for leaks by the installer with soapy water or liquid detergent, never use an open flame. If connections are not exposed, a pressure test must be run. Be sure to disconnect the gas supply line from the appliance valve before pressure testing. The manifold pressure is pre-set at the factory and should be 3.5" w.c. for Natural Gas and 10" w.c. for L.P. Gas. The minimum inlet pressure for Natural Gas is 4.5" w.c. and 11" w.c. for L.P. Gas, "for purpose of input adjustment". The maximum inlet pressure should never exceed 7.0" w.c. on Natural Gas or 14" w.c. on L.P. Gas.

THERMOSTAT INSTALLATION

Follow the instructions included with the thermostat. Select a location for the thermostat on an inside wall approximately 5 feet above the floor where it won't be affected by heat or cold sources such as direct sunlight, televisions, fireplaces, hidden hot or cold water pipes, drafts, etc., and a minimum of 4' from the heater. The thermostat must never be placed in an adjacent room. Connect thermostat wires to thermostat and mount to wall. Run wire to furnace and make connections to thermostat wires coming out of top of furnace. Use insulated staples (provided) to secure wire to wall.

OPERATION

This heater is equipped with a slow opening gas control. On a call for heat the gas valve does not snap-open to full manifold pressure, but opens with a gradual increase to normal manifold pressure. The time lapse from the call for heat to normal operating pressure is two to five seconds. The slow open feature assures a safe, less noisy ignition.

After the heat exchanger has warmed sufficiently, the fan will automatically come on to efficiently transfer the heat into the room.

LIGHTING INSTRUCTIONS: DVCF403C-H/404C-H, DVCF553C-H/554C-H

FOR YOUR SAFETY READ BEFORE LIGHTING

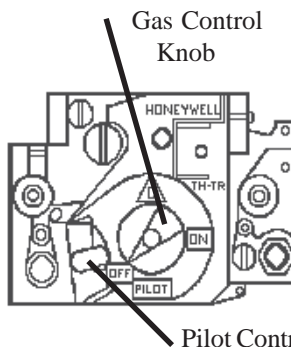
WARNING: If you do not follow these instructions exactly, a fire or explosion may result causing property damage, personal injury or loss of life.

- A. This appliance has a pilot which must be lighted by hand. When lighting the pilot, follow these instructions exactly.
- B. BEFORE LIGHTING, smell all around the appliance area for gas. Be sure to smell next to the floor because some gas is heavier than air and will settle on the floor.
- WHAT TO DO IF YOU SMELL GAS:**
Do not try to light any appliance.
Do not touch any electric switch, do not use any phone in your building.
Immediately call your gas supplier from a neighbor's phone. Follow the gas supplier's instructions.
- If you cannot reach your gas supplier, call the fire department.
- C. Use only your hand to push in or turn the gas control knob. Never use tools. If the knob will not push in or turn by hand, don't try to repair it, call a qualified service technician. Force or attempted repair may result in a fire or explosion.
- D. Do not use this appliance if any part has been under water. Immediately call a qualified service technician to inspect the appliance and to replace any part of the control system and any gas control which has been under water.

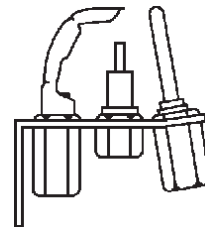
PN91211 02/05

LIGHTING INSTRUCTIONS

1. STOP! Read the information on the safety label.
2. Set thermostat to lowest setting.
3. Turn off all electric power to the appliance.
4. Remove lower front panel.
5. Push in gas control knob slightly and turn clockwise to "OFF".



NOTE: Knob can not be turned from "PILOT" to "OFF" unless knob is pushed in slightly. Do not force.



10. Push in pilot control knob and hold in. Immediately begin a series of pushing and releasing the red piezo ignitor button, while observing the pilot through the sight glass. Continue to spark until pilot is lit. Continue to hold the pilot control knob in for about one (1) minute after the pilot is lit. Release the pilot control knob and it will pop back up. Pilot should remain lit. If pilot goes out, repeat steps 4 thru 9.
- If knob does not pop up when released, STOP and immediately call your service technician or gas supplier.
- If the pilot will not stay lit after several tries, turn the gas control knob to "OFF" and call your service technician or gas supplier.
11. Close sight glass cover.
12. Turn gas control knob counterclockwise to "ON".
13. Replace lower front panel.
14. Turn on all electric to the appliance.
15. Set thermostat to desired setting.

PN91211 02/05

TO TURN OFF GAS TO APPLIANCE

1. Turn thermostat to it's lowest setting.
2. Turn off all electric power to the appliance if service is to be performed.
3. Remove lower front panel.
4. Push in gas control knob slightly and turn clockwise to "OFF". Do not force.
5. Replace lower front panel.

PN91211 02/05

LIGHTING INSTRUCTIONS: DVCF407C-H/408C-H, DVCF557C-H/558C-H FOR YOUR SAFETY READ BEFORE LIGHTING

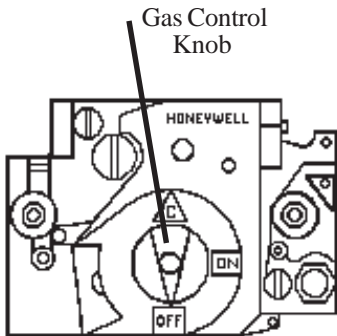
WARNING: If you do not follow these instructions exactly, a fire or explosion may result causing property damage, personal injury or loss of life.

- | | |
|--|--|
| <p>A. This appliance is equipped with an ignition device which automatically lights the pilot. Do not try to light the pilot by hand.</p> <p>B. BEFORE OPERATING, smell all around the appliance area for gas. Be sure to smell next to the floor because some gas is heavier than air and will settle on the floor.</p> <p><u>WHAT TO DO IF YOU SMELL GAS:</u></p> <ul style="list-style-type: none"> - Do not try to light any appliance. - Do not touch any electric switch; do not use any phone in your building. - Immediately call your gas supplier from a neighbor's phone. Follow the gas supplier's instructions. | <ul style="list-style-type: none"> - If you cannot reach your gas supplier, call the fire department. <p>C. Use only your hand to push in or turn the gas control knob. Never use tools. If the knob will not push in or turn by hand, don't try to repair it, call a qualified service technician. Force or attempted repair may result in a fire or explosion.</p> <p>D. Do not use this appliance if any part has been under water. Immediately call a qualified service technician to inspect the appliance and to replace any part of the control system and any gas control which has been under water.</p> |
|--|--|

PN 91214 02/05

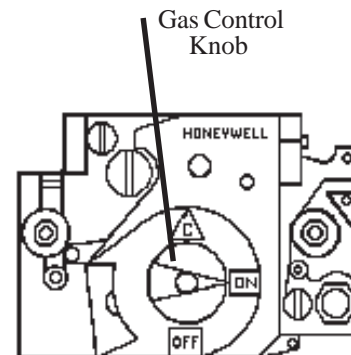
LIGHTING INSTRUCTIONS

1. STOP! Read the information on the safety label.
2. Set thermostat to lowest setting.
3. Turn off all electric power to the appliance.
4. This appliance is equipped with an ignition device which automatically lights the pilot. Do not try to light the pilot by hand.
5. Remove lower front panel.
6. Push in gas control knob slightly and turn clockwise to "OFF".



NOTE: Knob can not be turned to "OFF" unless knob is pushed in slightly. Do not force.

8. Turn gas control knob counterclockwise to "ON".



7. Wait five (5) minutes to clear out any gas. Then smell for gas, including near the floor. If you smell gas, STOP! Follow "B" in the information on the safety label. If you don't smell gas, go to the next step.

9. Replace lower front panel.
10. Turn on all electric power to the appliance.
11. Set thermostat to desired setting.
12. If the appliance will not operate, follow the instructions "TO TURN OFF GAS TO APPLIANCE" and call your service technician or gas supplier.

PN 91214 02/05

TO TURN OFF GAS TO APPLIANCE

1. Turn thermostat to it's lowest setting.
2. Turn off all electric power to the appliance if service is to be performed.
3. Remove lower front panel.
4. Push in gas control knob slightly and turn clockwise to "OFF". Do not force.
5. Replace lower front panel.

PN 91214 02/05

PILOT ADJUSTMENT

Locate the pilot adjustment screw on the valve. The pilot flame should surround at least the top 3/8" of the powerpile (pilot generator) or flame sensor (see Figure 7). The pilot is unregulated so it will be operating at inlet line pressure (Max. 7" w.c. for Natural Gas and 11" w.c. for Propane). To decrease the pilot flame, turn the screw clockwise (approximately six full turns to bottom of pilot light channel) until you produce sufficient flame at the minimum noise level.

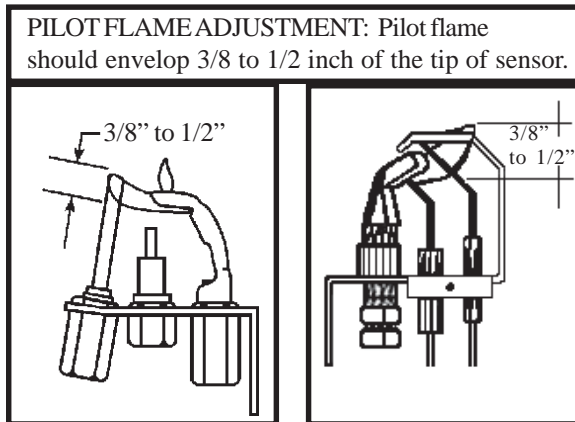


FIGURE 7A
STANDING PILOT

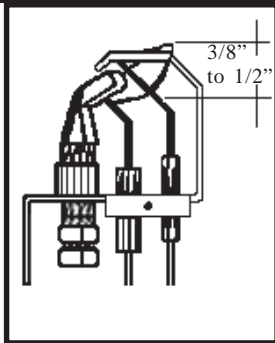


FIGURE 7B
I.I.D. PILOT

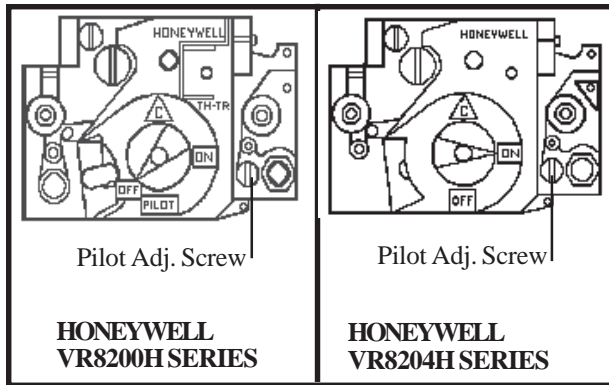


FIGURE 7C
STANDING PILOT

FIGURE 7D
I.I.D. PILOT

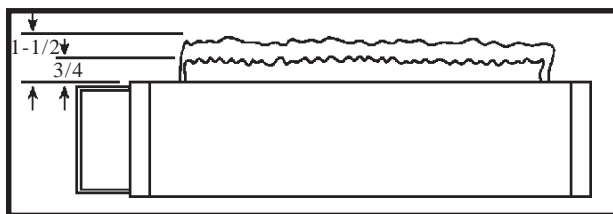


FIGURE 8

TO REMOVE MAIN BURNER FOR INSPECTION AND CLEANING

1. Turn thermostat to lowest setting and allow furnace to cool.
2. Turn off all electric power to furnace.
3. Remove lower grille.
4. Disconnect gas supply to valve.
5. Disconnect wires from gas valve.
6. Remove 15 screws holding burner door to burner box. Pull door forward to remove complete burner, gas valve assembly.
7. After inspecting and cleaning, place burner assembly back into burner box and tighten 15 screws. NOTE: Be sure door gasket is not damaged and will effect a proper seal or pilot outage will occur.
8. Connect wires back to valve.
9. Connect gas supply back to valve.
10. Turn on electric to furnace.
11. Follow lighting instructions, and replace lower grille.

It is recommended that the furnace and all components be inspected at least annually by a qualified service technician. This should include the burner, pilot, heat exchanger, and vent system. Be sure that the flow of combustion and ventilation air is not obstructed.

IMPORTANT: Keep burner and control compartment clean. Vacuum control compartment at the start of the heating season and as often as needed.

PROPER BURNER FLAME

The burner flame may be observed by raising the sight glass cover. A proper flame will have a dark blue inner mantle that sits right on top of the burners with a lighter blue outer mantle rising above the burner (See Figure 8). There may be some yellow where the pilot flame and burner flame meet. There is no primary air adjustment on the burner, and proper flame is assured since the correct manifold pressure and orificing has been done at the factory. NOTE: It is advised that the burner flames be checked at least twice during the heating season for any changes in burner flame characteristics. The appliance area must be kept clear and free from combustible materials, gasoline, and other flammable vapors and liquids. This appliance is equipped only for altitudes 0-2,000 feet. Heaters installed above 2,000 feet must be derated 4% for every 1,000 feet. For the proper orifice size, find the Model Number and elevation on the orifice chart. Replace burner orifice. Orifice change must be completed by a qualified installer or service technician.

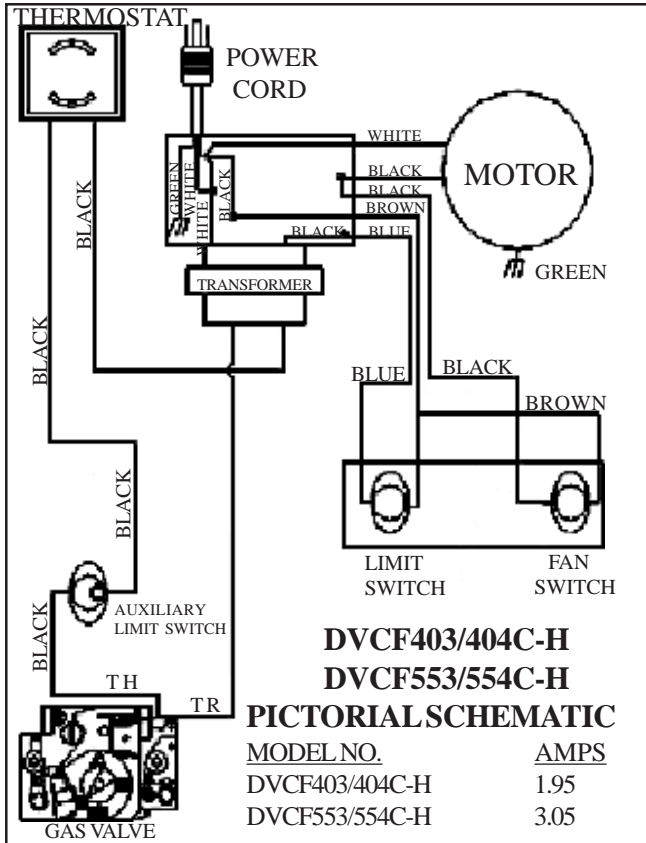
NATURAL GAS

MODEL NUMBER	0 to 2,000' 2,000'	2,000 - 4,000' 4,000'	4,000 - 6,000' 6,000'	6,000 - 8,000' 8,000'	8,000 - 10,000' 10,000'
DVCF403C	32	34	35	36	40
DVCF407C	32	34	35	36	40
DVCF553C	3.6m	29	30	30	31
DVCF557C	3.6m	29	30	30	31
ORDER KIT #49840 2287-1 HIGH ALTITUDE KIT					

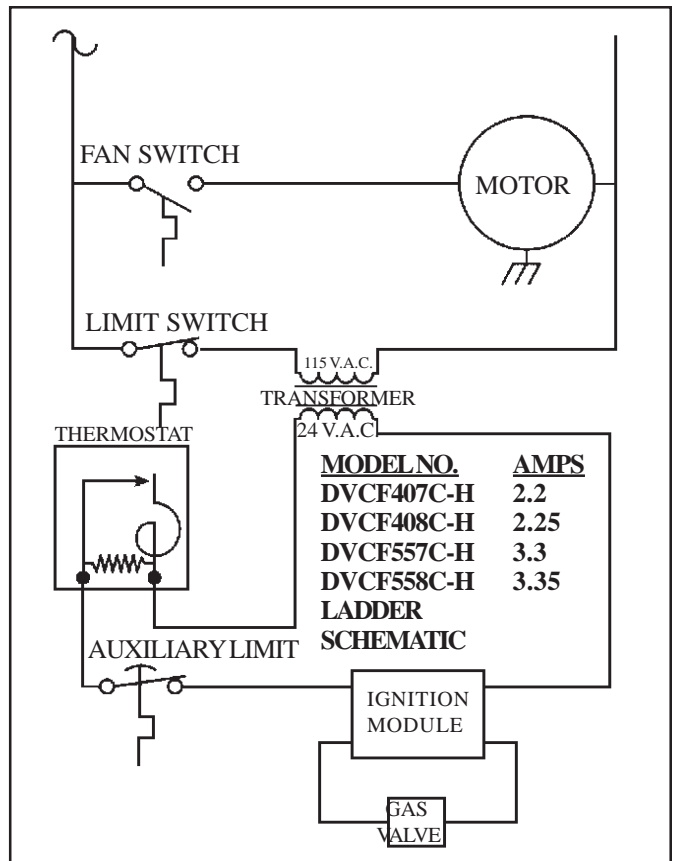
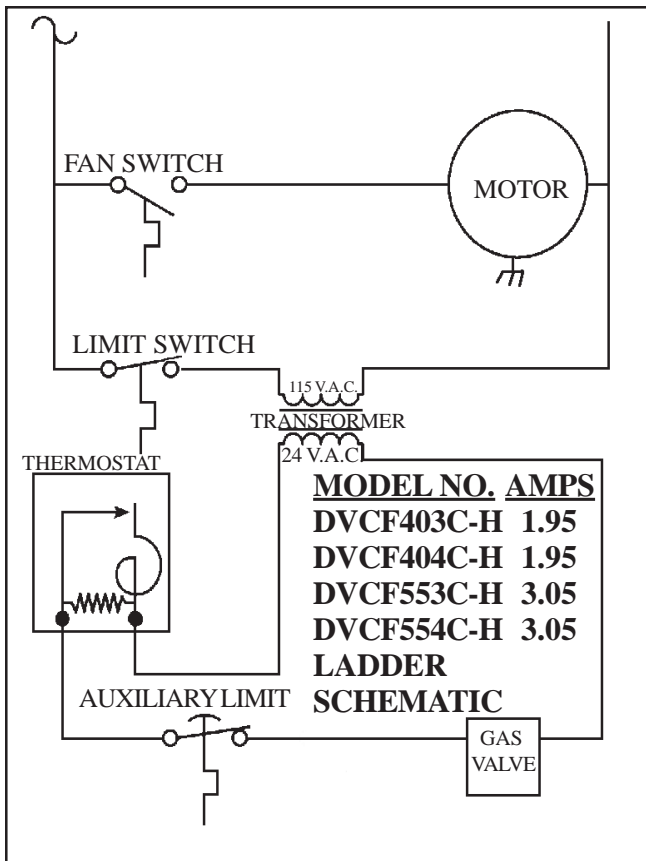
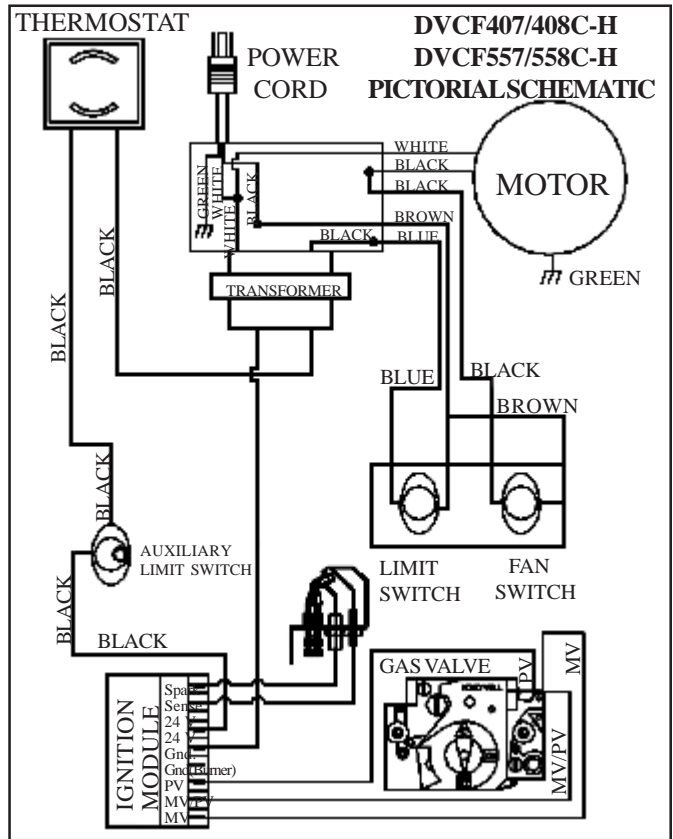
L.P. GAS

MODEL NUMBER	0 to 2,000' 2,000'	2,000 - 4,000' 4,000'	4,000 - 6,000' 6,000'	6,000 - 8,000' 8,000'	8,000 - 10,000' 10,000'
DVCF404C	49	50	51	52	52
DVCF408C	49	50	51	52	52
DVCF554C	44	45	47	48	49
DVCF558C	44	45	47	48	49
ORDER KIT #49840 2287-1 HIGH ALTITUDE KIT					

STANDING PILOT MODELS

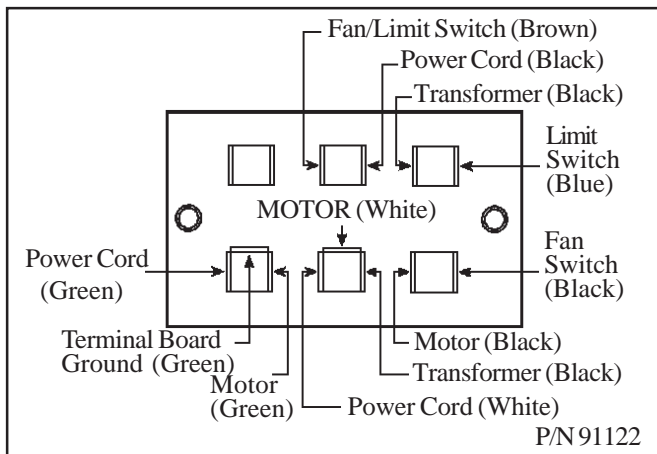


I.I.D. MODELS

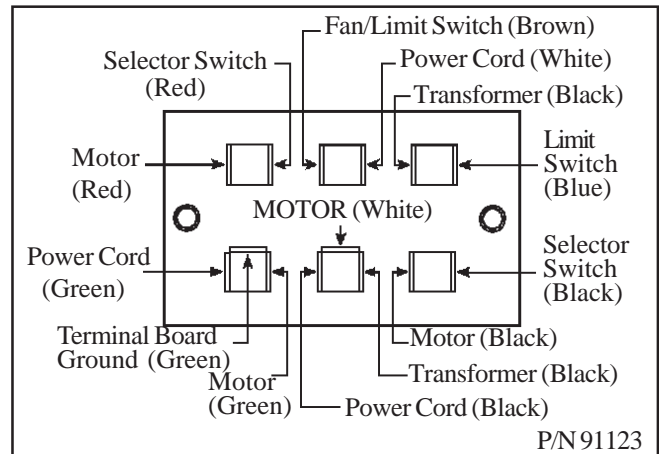


CAUTION: Label all wires prior to disconnection when servicing controls. Wiring errors can cause improper and dangerous operation. Verify proper operation after servicing.

TERMINAL BLOCK WIRING DIAGRAM



DVCF403, 404, 407, 408C-H



DVCF553, 554, 557, 558C-H

MANUAL RESET SWITCH

For your safety this furnace is equipped with a manual reset limit switch. In case of failure by the primary limit switch, this switch will shut the valve down completely before unsafe temperatures are reached. After a cool down period, switch must be manually reset. If outages persist, call a qualified service person.

MAINTENANCE INSTRUCTION

For proper and safe operation, keep furnace and furnace area clean. At regular intervals turn control valve off, let cool and clean inside control compartment. To clean cabinet, use only a damp cloth. Do not use any kind of solvent or cleaning fluid that could leave a residue or invisible coating that would burn or give off fumes when furnace is turned on.

Have the furnace checked, cleaned, and repaired by a qualified service technician, including the vent system, pilot and burner operation prior to use each year.

The bearings of the fan motor should be oiled every twelve (12) months with S.A.E. 20 oil. (See Figure 10).

Follow a regular service and maintenance schedule for safe and efficient operation.

Examine the venting system as a routine part of the safety performance check on an annual basis.

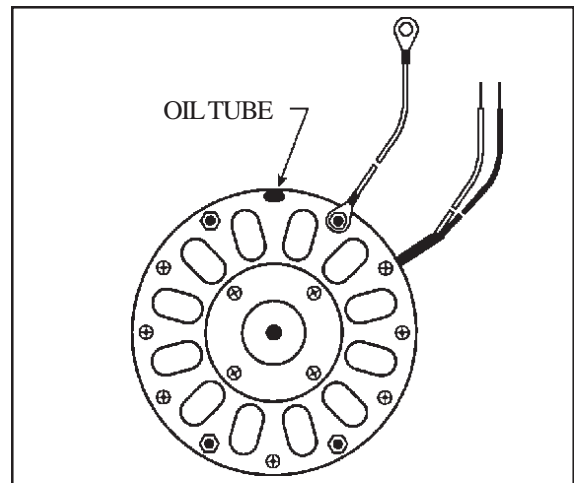


FIGURE 10

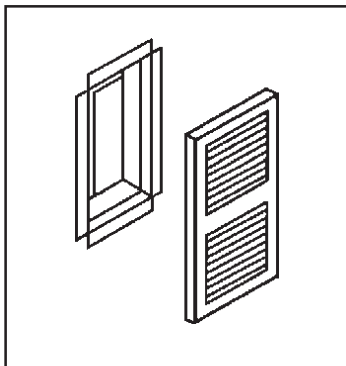
WARNING: This is a gas-fired appliance. Keep the area clear of gasoline and other flammable vapors and liquids. All combustible material must be kept clear of this area to avoid fire or explosion.

OPTIONAL SIDE DISCHARGE KITS

This kit must be installed by a qualified installer or service technician.

SIDE DISCHARGE ON CASING

1. Use Optional Kit No. 306SR-A.
2. Cut out and remove embossed area on casing side.
3. Remove knockout from inner liner.
4. Place 1-1/2" boot from kit through opening, matching flanges of boot to knockout on inner liner.
5. Mark screw holes and remove boot.
6. Drill holes with a 1/8" drill.
7. Attach inner boot with screws provided.
8. Place grille into position, drill holes into casing, and attach with screws provided.



KIT NO. 306SR
SIDE REGISTER - FLUSH

SIDE DISCHARGE (With Extension Boot)

NOTE: Maximum boot length is 10 inches.

1. Use Optional Kit No. 30SRB-A.
2. Cut opening in drywall as shown in Fig. 9.
3. Position plaster ground as shown in Figure 9. (Optional).
4. Cut out and remove embossed section on casing side.
5. Remove knockout on inner liner.
6. Put heater into position.
7. Place inner boot into position, mark and cut boot flush with wall. Place outer boot into position, mark and cut boot flush with wall.
8. Place boot trim into position, slide inner boot through wall from adjacent room and attach to inner liner. Slide outer boot through wall from adjacent room and attach to casing side.
9. Place grill in position and secure to wall.

ROUGH-INS FOR SIDE DISCHARGE

Install plaster grounds as shown in Figure 9. NOTE: When side discharge Kit No. 30SRB is being used, furnace should be set exactly 4" from side wall.

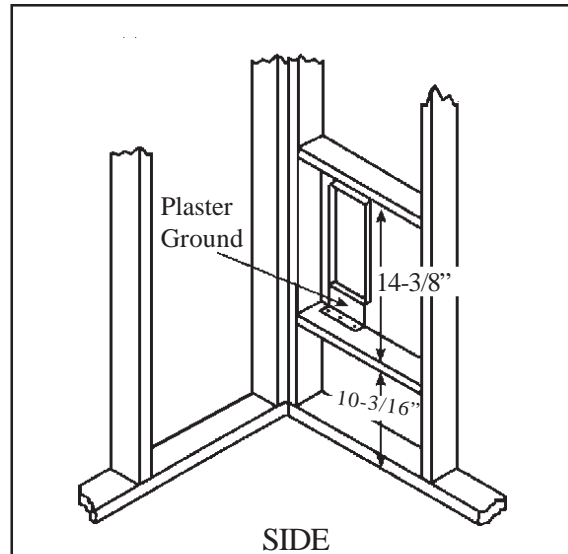
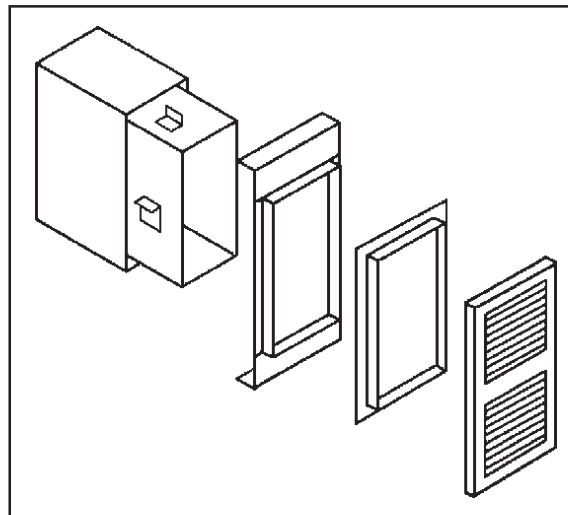


FIGURE 9

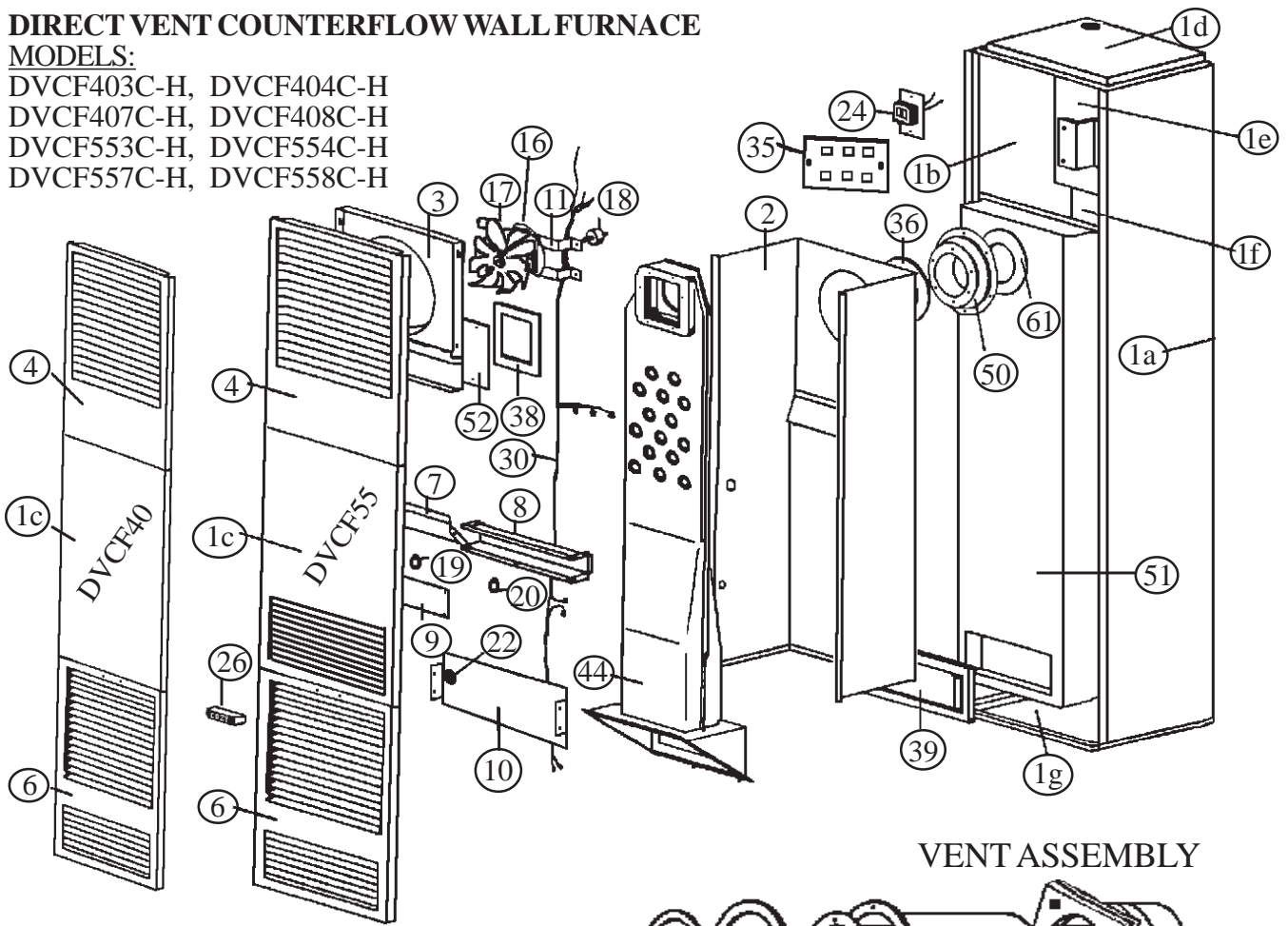


KIT NO. 30SRB
SIDE REGISTER W/BOOT

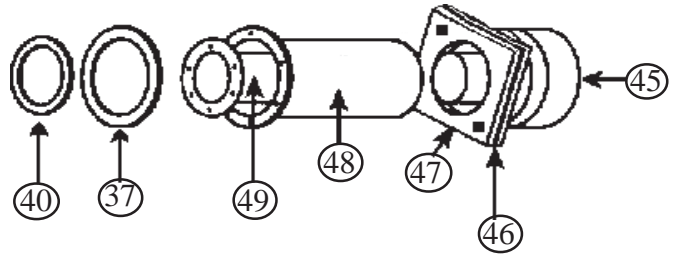
DIRECT VENT COUNTERFLOW WALL FURNACE

MODELS:

- DVCF403C-H, DVCF404C-H
- DVCF407C-H, DVCF408C-H
- DVCF553C-H, DVCF554C-H
- DVCF557C-H, DVCF558C-H

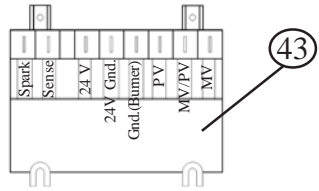


VENT ASSEMBLY

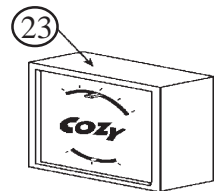


ATTN: CONTRACTORS AND TECHNICIANS
 We only sell parts through our wholesalers. For prompt parts service, contact the wholesaler from which you purchased your Cozy heater.
NOTE: Parts and schematic drawings on current models are shown at www.cozyheaters.com

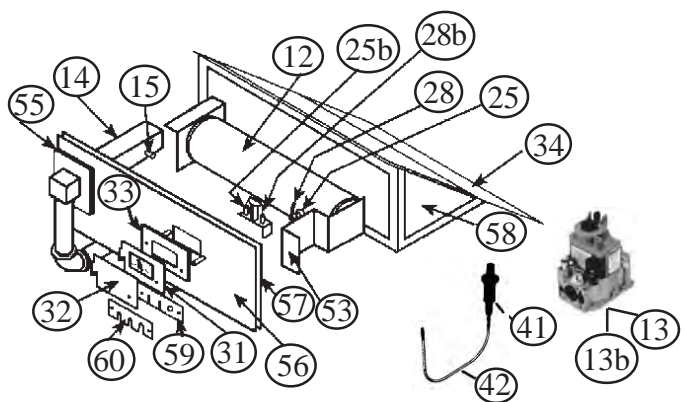
I.I.D. CONTROL MODULE HONEYWELL



THERMOSTAT



BURNER ASSEMBLY DVCF40C-H, DVCF55C-H, SERIES



USE ONLY FACTORY SUPPLIED PARTS

HOW TO PROPERLY ORDER PARTS

In addition to part description and part number, please give model number, serial number, and type of gas used.

	NAT.	DVCF403C-H	DVCF407C-H	DVCF553C-H	DVCF557C-H
MODEL NUMBER	L.P.	DVCF404C-H	DVCF408C-H	DVCF554C-H	DVCF558C-H
PART DESCRIPTION	REF. NO.	PART NO.	PART NO.	PART NO.	PART NO.
Casing Side, Right	1a	34065	34065	34560	34560
Casing Side, Left	1b	34055	34055	34550	34550
Center Front Panel Assembly	1c	34104	34104	30534	30534
Top Assembly	1d	34050	34050	34050	34050
Upper Back Assembly	1e	34080	34080	34080	34080
Lower Back Assembly	1f	34090	34090	34575	34575
Bottom Assembly	1g	34070	34070	34070	34070
Casing Mounting Brackets	N/A	*30260	*30260	*30260	*30260
Liner Assembly	2	34115	34115	34600	34600
Fan Shroud Assembly	3	34140	34140	34140	34140
Top Louver	4	34100	34100	34590	34590
Bottom Louver Assembly	6	30100	30100	30100	30100
Upper Front Shield	7	30250	30250	30250	30250
Switch Box	8	30252	30252	30252	30252
Switch Box Cover	9	30253	30253	30253	30253
Lower Front Shield	10	30256	30256	30256	30256
Motor Mounting Bracket	11	*34088	*34088	*34579	*34579
Burner	12	72107	72107	72107	72107
Pilot Bracket	53	34440	34440	34440	34440
Valve, VR8200H-1004, Nat. w/78089 Dis. Bushing	13	78090	N/A	78090	N/A
Valve, VR8200H-1103, L.P. w/78089 Dis. Bushing	13	78091	N/A	78091	N/A
Valve, VR8204H-1006, Nat. w/78089 Dis. Bushing	13b	N/A	78092	N/A	78092
Valve, VR8204H-1006 (Conv.), L.P. w/78089 Bushing	13b	N/A	78093	N/A	78093
Disappearing Bushing 1/2x3/8	N/A	78089	78089	78089	78089
Manifold	14	72103	72103	72103	72103
Burner Orifice, Natural Gas	15	72147	72147	72140	72140
Burner Orifice, L.P. Gas	15	72149	72149	72141	72141
Fan Motor	16	72108	72108	72110	72110
Fan Blade, Dynacone	17	72111	72111	72111	72111
Rubber Grommet (Requires 4)	18	**78010	**78010	**78010	**78010
Limit Switch 60T11-L220F	19	N/A	N/A	72160	72160
Limit Switch 60T11-L180F	19	78065	78065	N/A	N/A
Fan Switch 60T12 F110 Degree	20	78064	78064	78064	78064
Aux. Limit Switch 60T15-L350	22	78086	78086	78086	78086
Thermostat 24 Volt	23	78355	78355	78355	78355
Transformer	24	78069	78069	78069	78069
Transformer Plate	N/A	34089	34089	34089	34089
Terminal Board	35	78300	78300	78300	78300
Pilot 0.140.512, Natural Gas (w/Electrode)	25	72020	N/A	72020	N/A
Pilot 0.140.502, L.P. Gas (w/Electrode)	25	72021	N/A	72021	N/A
Cozy Handle	26	84003	84003	84003	84003
Thermostat Wire	27	74518	74518	74518	74518
Thermocouple Q309A1954	28	78095	N/A	78095	N/A
Insulated Staples	29	74209	74209	74209	74209
Pilot Assy. Electronic w/Flame Ignitor Nat.	25b/28b	N/A	78098	N/A	78098
Pilot Assy. Electronic w/Flame Ignitor L.P.	25b/28b	N/A	78099	N/A	78099
Wiring Harness	30	72251	72252	72253	72250

ATTN: CONTRACTORS & TECHNICIANS - We only sell parts through our wholesalers.
 For prompt parts service, contact the wholesaler from which you purchased your Cozy heater.
NOTE: Parts and schematic drawings on current models are shown at www.cozyheaters.com

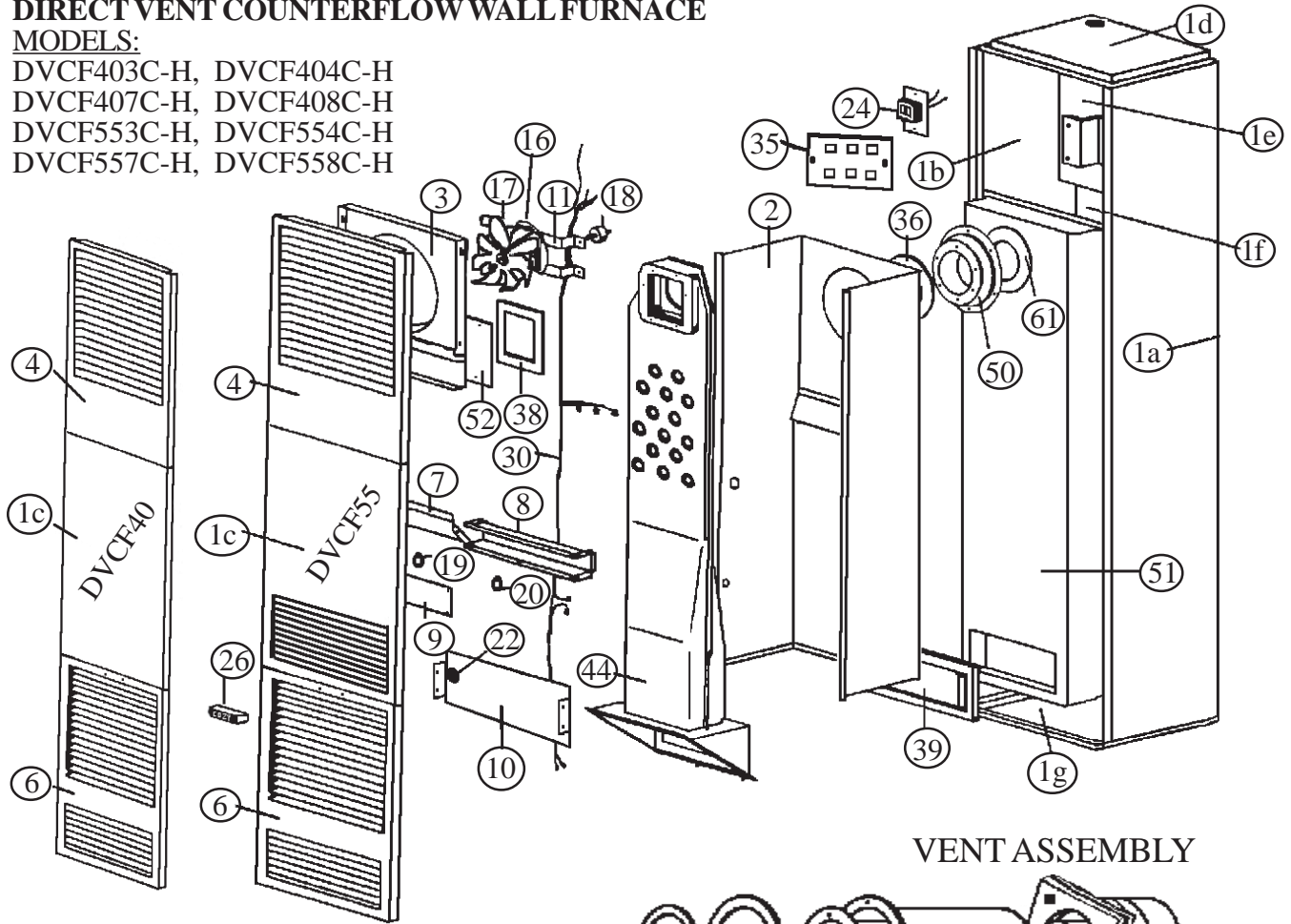
PARTS LIST CONTINUED

*Requires 2 **Requires 4

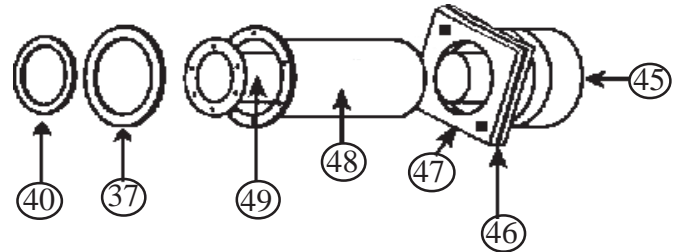
DIRECT VENT COUNTERFLOW WALL FURNACE

MODELS:

- DVCF403C-H, DVCF404C-H
- DVCF407C-H, DVCF408C-H
- DVCF553C-H, DVCF554C-H
- DVCF557C-H, DVCF558C-H

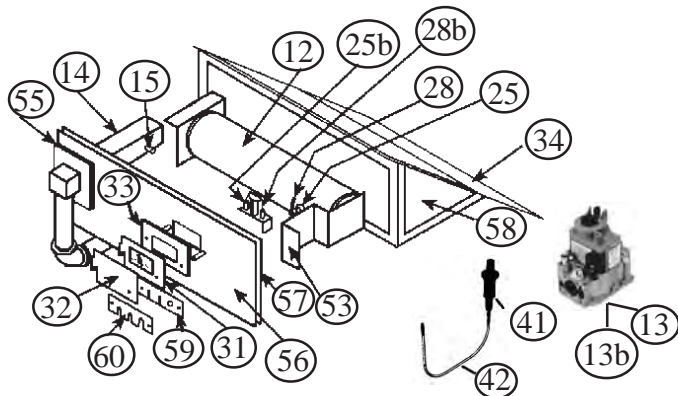


VENT ASSEMBLY

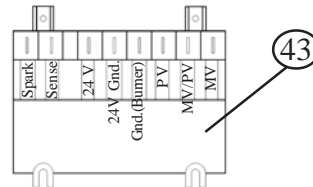


ATTN: CONTRACTORS AND TECHNICIANS
 We only sell parts through our wholesalers. For prompt parts service, contact the wholesaler from which you purchased your Cozy heater.
NOTE: Parts and schematic drawings on current models are shown at www.cozyheaters.com

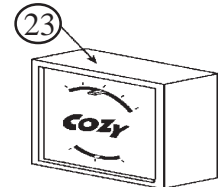
BURNER ASSEMBLY DVCF40C-H, DVCF55C-H, SERIES



I.I.D. CONTROL MODULE HONEYWELL



THERMOSTAT



USE ONLY FACTORY SUPPLIED PARTS

HOW TO PROPERLY ORDER PARTS

In addition to part description and part number, please give model number, serial number, and type of gas used.

	NAT.	DVCF403C-H	DVCF407C-H	DVCF553C-H	DVCF557C-H
MODEL NUMBER	L.P.	DVCF404C-H	DVCF408C-H	DVCF554C-H	DVCF558C-H
PART DESCRIPTION	REF. NO.	PART NO.	PART NO.	PART NO.	PART NO.
Power Cord	N/A	78213	78213	78213	78213
Sight Glass Assy. (Includes Cover & Gasket)	31	43252	43252	43252	43252
Sight Glass Cover	32	43258	43258	43258	43258
Sight Glass Gasket - 1-3/8x3"	33	72067	72067	72067	72067
Burner Box Gasket	34	72059	72059	72059	72059
Slip Joint Assembly w/Gaskets	50	34220	34220	34220	34220
Slip Joint Gasket - 3-1/2x7	N/A	72057	72057	72057	72057
Slip Joint Ring Gasket - 9-1/2" Circle	61	72056	72056	72056	72056
Slip Jt. Ring Gsk. (2 pc. Graphite) 3-3/4x7-1/2"	N/A	72058	72058	72058	72058
Flue Outlet Pipe Gasket - 7" Circle	36	72055	72055	72055	72055
Air Intake Pipe Gasket - 9-1/2" Circle	37	72054	72054	72054	72054
Heat Exchanger Cover Plate	52	34195	34195	34195	34195
Heat Exchanger Cover Plate Gasket - 7x6"	38	72053	72053	72053	72053
Burner Box Inlet Gasket - 11-1/2x5" (Air Box)	39	72052	72052	72052	72052
Exhaust Pipe Gasket - 7" Circle	40	72051	72051	72051	72051
Manifold Gasket - 2x2"	55	72068	72068	72068	72068
Piezo Igniter	41	80016	N/A	80016	N/A
Igniter Wire 0.028.508	42	72022	N/A	72022	N/A
Ignition ControlBox S8600B, Honeywell	43	N/A	78097	N/A	78097
Heat Exchanger Kit	44	34805	34805	34815	34815
Vent Cap Assy. w/Spacer Plate Complete	45 & 46	34250	34250	34250	34250
Vent Cap Mounting Kit	47	34330	34330	34330	34330
Air Intake Pipe Assembly	48	34280	34280	34280	34280
Vent Exhaust Pipe Assembly	49	34290	34290	34290	34290
Elbow 3/8x90 Degree	N/A	84501	84501	84501	84501
Air Drop Assembly	51	34201	34201	34630	34630
Burner Box Bottom Assembly	58	34400	34400	34400	34400
Burner Access Door	56	34425	34425	34425	34425
Burner Access Gasket - 4x13"	57	72065	72065	72065	72065
90 Deg. Pilot Fitting	N/A	N/A	70352	N/A	70352
Pilot Tube Bracket	60	34475	34475	34475	34475
Vent Terminal Shield	N/A	34950	34950	34950	34950
Pilot Tubing w/Fittings - 16"	N/A	78452	78452	78452	78452
Pilot Tube Gasket - 2-1/2x3/4"	59	72063	72063	72063	72063
Lighting Instructions DVCF	N/A	91260	91261	91260	91261

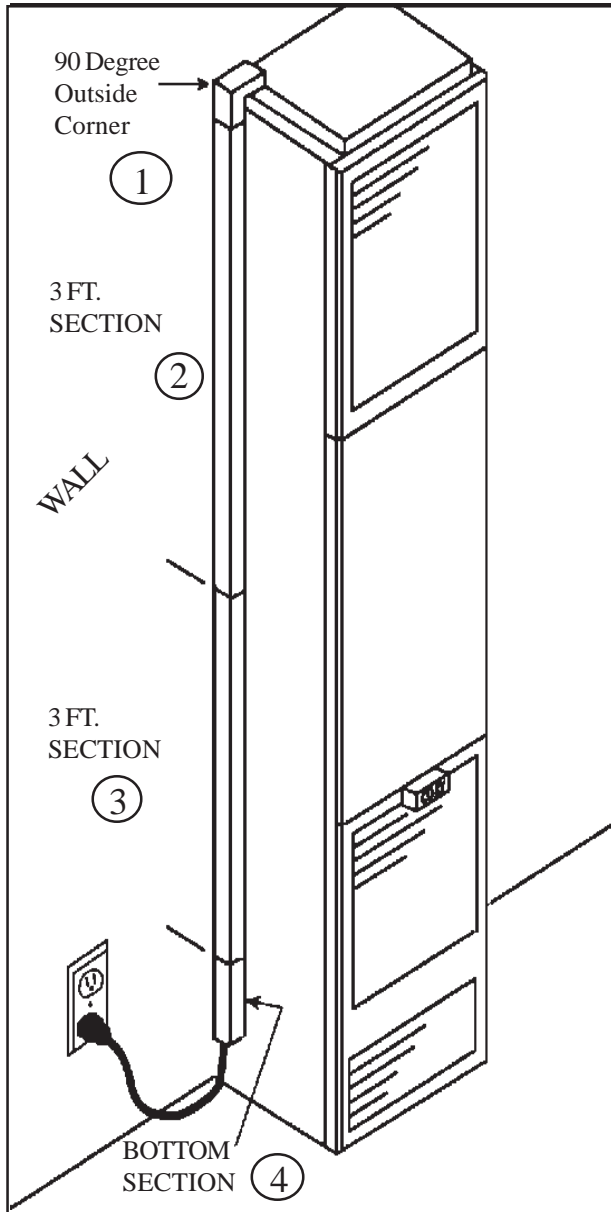
ATTN: CONTRACTORS & TECHNICIANS - We only sell parts through our wholesalers.
 For prompt parts service, contact the wholesaler from which you purchased your Cozy heater.
NOTE: Parts and schematic drawings on current models are shown at www.cozyheaters.com

14-PEK KIT INSTRUCTIONS

(14' PLUG EXTENSION KIT)

This kit must be installed by a qualified installer or service technician.

FOR NON-RECESSED INSTALLATIONS ONLY



UNITS WITH TERMINAL BOARD

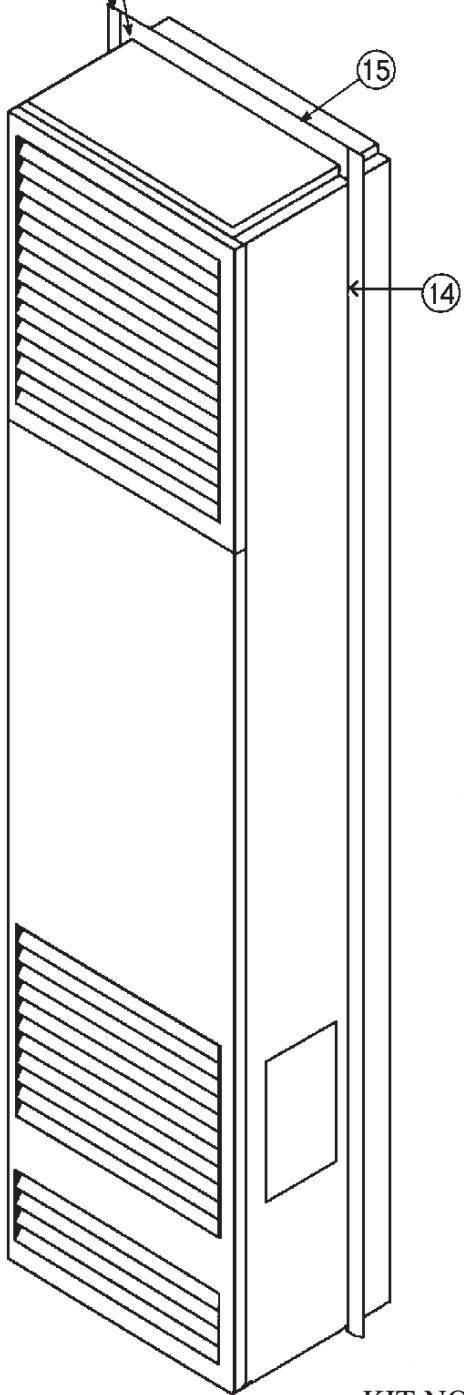
STEP

1. Turn heater off following Section 3 in "Lighting Instructions" and allow to cool.
2. Turn off all electricity to heater.
3. Remove top louver assembly, fan shroud and fan blade.
4. Loosen two screws on romex connector.
5. Remove junction box cover plate.
6. Disconnect three power cord terminals and pull power cord out of top of heater.
7. Insert power cord provided in kit through romex connector and plug onto terminal board following wiring diagram found in lighting and operating instructions.
8. Tighten two screws on romex connector.
9. Replace junction box cover plate.
10. Replace fan blade, fan shroud and top louver assembly.
11. Snap 90 degree outside corner (Ref. 1) onto 3 foot section (Ref. 2) plastic raceway. Insert power cord and remove blue backing from adhesive strip on raceway and apply to side of heater.
12. Insert power cord into second 3-foot section of raceway (Ref. 3) and remove blue backing and apply to side of heater, butting up against bottom of other section.
13. Cut 14-inch long bottom section to required length (see chart), insert power cord, remove backing and apply to side of heater.
14. Plug power cord into wall receptacle.
15. Light the heater following lighting instructions.

MODEL NO.	LENGTH OF BOTTOM SECTION (REF. 4) PLASTIC RACEWAY
DVCF40	5-5/16 Inches
DVCF55	14 Inches

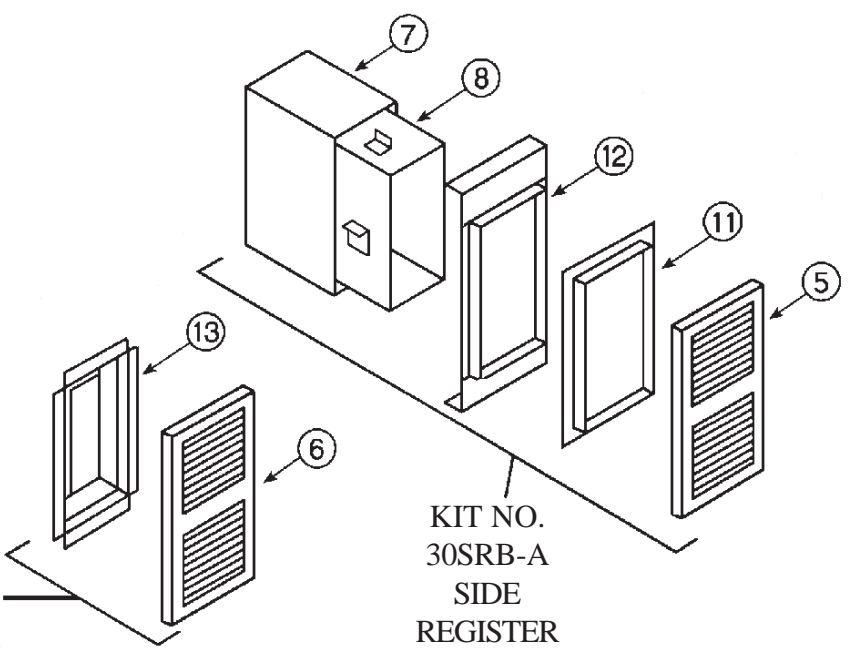
NOTE: Above lengths terminate approximately 2 inches above floor.

KIT NO. 31300-A
TRIM KIT



PART DESCRIPTION	REF. NO.	PART NO.
Side / Rear Register	5	31630
Side Register	6	31525
Large Outer Boot	7	31580
Large Inner Boot	8	31560
Boot Trim	11	31615
Plaster Ground	12	31595
Side Boot	13	31510

KIT NO. 306SR-A
SIDE REGISTER
FLUSH



KIT NO. 30SRB-A
SIDE REGISTER
W/BOOT

TRUBLE SHOOTING CHART

For use by a qualified installer or service technician.

SYMPTOM	POSSIBLE CAUSES	CORRECTIVE ACTION
Flame too large	<ol style="list-style-type: none"> 1. Defective operator section of valve. 2. Burner orifice too large. 3. If installed above 2,000 feet. 	<ol style="list-style-type: none"> 1. Replace valve. 2. Check with local gas company for proper orifice size and replace. 3. See orifice chart, page 10.
Yellow burner flame	<ol style="list-style-type: none"> 1. Clogged burner ports. 2. Obstructions around vent cap. 	<ol style="list-style-type: none"> 1. Remove main burner and check for obstructions in throat, ports, and orifices. Clean - but do not enlarge ports or orifices. 2. Make sure area around vent cap is clear, be sure vent system is sealed.
Gas Odor	<ol style="list-style-type: none"> 1. Gas leak. 	<ol style="list-style-type: none"> 1. See Page 1.
Delayed Ignition	<ol style="list-style-type: none"> 1. Pilot flame too small. 2. Burner ports clogged at pilot. 3. Low gas pressure. 4. Pilot decreases in size when main burners come on. 	<ol style="list-style-type: none"> 1. Adjust pilot flame. 2. Clean burner ports (do not enlarge). 3. Check gas supply pressure. 4. Supply piping is too small. Consult local gas company or competent installer.
Failure to ignite	<ol style="list-style-type: none"> 1. Main gas off. 2. Thermostat not set high enough to call for heat. 3. Clogged burner orifice. 4. Thermostat wired wrong or defective. 	<ol style="list-style-type: none"> 1. Open all manual gas valves. 2. Set thermostat to higher temperature. 3. Clean burner orifice (do not enlarge). 4. Check wiring, jump across thermostat terminals at valve, if valve open, re-check wires, replace thermostat.
Burner won't turn off	<ol style="list-style-type: none"> 1. Defective or damaged thermostat wire, or thermostat. 2. Thermostat location. 3. Defective or sticking valve. 4. Excessive gas pressure. 	<ol style="list-style-type: none"> 1. Can be checked by removing wire from valve terminal. If valve goes off, replace wire or thermostat. 2. Follow instructions, check location. 3. Replace valve. 4. Contact utility supplying gas.
Incorrect gas input	<ol style="list-style-type: none"> 1. Gas input not checked. 2. Clogged orifice. 	<ol style="list-style-type: none"> 1. Re-check gas input. 2. Clean orifice with a smooth wood toothpick, do not enlarge.
Not enough heat	<ol style="list-style-type: none"> 1. Furnace undersized. 2. Thermostat set too low. 3. Incorrect supply pressure. 	<ol style="list-style-type: none"> 1. This is especially true when a dwelling or room is enlarged. Have the heat loss calculated and compare to furnace output. Your gas company can supply you with this information. If furnace is undersized, replace with correct size unit. 2. Raise temperature setting. 3. Check supply pressure.
Too much heat	<ol style="list-style-type: none"> 1. Thermostat set too high. 2. Combination control valve stuck open. 	<ol style="list-style-type: none"> 1. Lower temperature setting. 2. Replace combination control valve.
Pilot and main burner go out during normal operation	<ol style="list-style-type: none"> 1. Weak thermocouple. 2. Input too high. 3. Cover around pilot lighter hole not air tight. 4. Vent tubes not properly installed or sealed. 	<ol style="list-style-type: none"> 1. Check millivoltage and replace if low. 2. Check input rate. 3. Tighten wing nuts securing cover and sight glass. Check and replace gasket if needed. 4. Follow instructions. Check both exhaust and air intake tubes, and vent cap. Be sure all gaskets are in place and properly sealed. Use only tubes and vent cap supplied. Do not alter vent tubes or cap.

TROUBLE SHOOTING CHART - Continued

For use by a qualified installer or service technician.

SYMPTOM	POSSIBLE CAUSES	CORRECTIVE ACTION
Burner won't turn on	<ol style="list-style-type: none"> 1. Gas valve not turned on. 2. No voltage to valve. 3. Defective thermostat. 4. No 115 V. Line voltage. 5. Gas valve defective. 6. Manual reset switch not engaged. 	<ol style="list-style-type: none"> 1. Turn gas valve to "on" position. 2. Check for 24 Volts to valve from transformer. 3. Check wall thermostat. 4. Provide line voltage. 5. Replace gas valve. 6. Depress red button on switch.
<u>(STANDING PILOT)</u> Pilot won't light, or stay lit	<ol style="list-style-type: none"> 1. Air in line. 2. Defective thermocouple 3. Pilot flame too low. 4. Manual reset switch not engaged. 	<ol style="list-style-type: none"> 1. Bleed line. 2. Replace thermocouple. 3. Adjust pilot flame. 4. Depress red button on switch.
<u>(I.I.D. PILOT)</u> Pilot won't light	<ol style="list-style-type: none"> 1. Sparker won't work. 2. Sparker won't light pilot. 3. Manual reset switch not engaged. 	<ol style="list-style-type: none"> 1. Check wire connections, provide adequate ground. 2. {a} Pilot flame too small. {b} Turn valve to "on" position. {c} Check for pilot restriction. 3. Depress red button on switch.

TROUBLE SHOOTING CHART FOR INTERMITTENT IGNITION SYSTEM (I.I.D.) - SEE PAGE 22

SERVICE RECORD	

SERVICE RECORD	

TROUBLE SHOOTING CHART FOR INTERMITTENT IGNITION SYSTEM (I.I.D.)

Green LED Flash Code (XxY) ^a	Indicates	Next System Action	Recommended Service Action
OFF	No "Call for Heat"	Not applicable	None
Flash Fast	Startup - Flame sense Calibration	Not applicable	None
Heartbeat	Normal operation	Not applicable	None
2	5 minute Retry Delay ?Pilot flame not detected during trial for ignition	Initiate new trial for ignition after retry delay completed.	If system fails to light on next trial for ignition check gas supply, pilot burner, spark and flame sense wiring, flame rod contaminated or out of position, burner ground connection.
3	Recycle ?Flame failed during run	Initiate new trial for ignition. Flash code will remain through the ignition trial until flame is proved.	If system fails to light on next trial ignition, check gas supply, pilot burner, flame sense wiring, contamination of flame rod, burner ground connection.
4	Flame sensed out of sequence	If situation self corrects within 10 seconds, control returns to normal sequence. If flame out of sequence remains longer than 10 seconds, control goes to Flash code 6+4 (see below).	Check for pilot flame. Replace gas valve if pilot flame present. If no pilot flame, cycle "Call for Heat". If error repeats, replace control.
7	Flame sense leakage to ground	Control remains in wait mode. When the fault corrects, control resumes normal operation after a one minute delay.	Check flame sense lead wire for damage or shorting. Check that flame rod is in proper position. Check flame rod ceramic for cracks, damage or tracking.
8	Low secondary voltage supply - (below 15.5 Vac)	Control remains in wait mode. When the fault corrects, control resumes normal operation after a one minute delay.	Check transformer and AC lines for proper input voltage to the control. Check with full system load on the transformer.
6 + 2	5 minute Retry Delay - On every third retry on the same "Call for Heat"	Initiate new trial for ignition after retry delay completed.	Check gas supply, pilot burner, spark and flame sense wiring, flame rod contaminated or out of position, burner ground connection.
6 + 3	On every 6th flame failure during run on the same "Call for Heat"	5 minute retry delay, then initiate new trial for ignition.	Check gas supply, pilot burner, flame sense wiring, contamination of flame rod, burner ground connection.
6 + 4	Flame sensed out of sequence - longer than 10 seconds	Control waits until flame is no longer sensed and then goes to soft lockout. Flash code continues. Control auto resets from soft lockout after one hour.	Check for pilot flame. Replace gas valve if pilot flame present. If no pilot flame, cycle "Call for Heat". If error repeats, replace control.
ON	Soft lockout due to error detected during self check sequences	Control auto resets from soft lockout after one hour.	Reset by cycling "Call for Heat". If error repeats, replace the control.

LIMITED WARRANTY

Cozy Heating Systems LLC warrants to the original user the accompanying product for the period specified herein, provided said product is installed, operated, maintained, serviced, and used according to the instructions and specifications accompanying the product. **AS OUTLINED IN OUR INSTRUCTIONS, ANY WARRANTY CONSIDERATIONS ARE CONTINGENT ON INSTALLATION BY A QUALIFIED INSTALLER (CONTRACTOR). SELF-INSTALLATION IS PROHIBITED AND WILL INVALIDATE YOUR WARRANTY.**

If within a period of one year from the date of installation of the product, any part supplied by the manufacturer proves to be defective due to workmanship or material, it will replace such part, provided parts have not been subjected to misuse, alteration, neglect, or accidents. The term of the warranty for the heat exchanger and burners is covered in Table A below. Any claim not made within ten (10) days after the expiration of the warranty period shall be deemed waived by the user.

The manufacturer shall have no liability or be required to perform any obligation under this warranty unless, when requested, the user returns, at the user's expense, the component or product claimed defective, to the manufacturer for inspection, to enable the manufacturer to determine if the claimed defect is covered by this warranty.

No charges for freight, labor or other expenses incurred in the repair, removal, or replacement of any product or component claimed to be defective, will be paid by the manufacturer to the user, and the manufacturer will not be liable for any expenses incurred, by the user, in remedying any defect in the product.

Service under this warranty is the responsibility of the installer. In the event service under this warranty is needed, the user of the product

shall request such service directly from the installer. If the user is unable to locate the installer, the user should write directly to the manufacturer, and the name of an alternative service source will be supplied.

The product safety registration card (packed inside the appliance) must be completed and returned to the factory.

THIS WARRANTY IS EXPRESSLY IN LIEU OF ANY OTHER WARRANTIES, EXPRESS OR IMPLIED (WHETHER WRITTEN OR ORAL). ANY IMPLIED WARRANTY OF MERCHANTABILITY OR OF FITNESS FOR A PARTICULAR PURPOSE IS EXPRESSLY LIMITED TO THE DURATION OF THE MANUFACTURER'S EXPRESS, WRITTEN WARRANTY.

UNDER NO CIRCUMSTANCES SHALL THE MANUFACTURER BE LIABLE FOR ANY SPECIAL, INDIRECT OR CONSEQUENTIAL DAMAGES OR EXPENSES ARISING DIRECTLY OR INDIRECTLY FROM ANY COMPONENT OR FROM THE USE THEREOF. THE REMEDIES SET FORTH HEREIN SHALL BE THE EXCLUSIVE REMEDIES AVAILABLE TO THE USER AND ARE IN LIEU OF ALL OTHER REMEDIES.

SOME STATES DO NOT ALLOW LIMITATIONS ON HOW LONG AN IMPLIED WARRANTY LASTS, SO THE ABOVE LIMITATIONS MAY NOT APPLY TO YOU.

SOME STATES DO NOT ALLOW THE EXCLUSION OR LIMITATION OF INCIDENTAL OR CONSEQUENTIAL DAMAGES, SO THE ABOVE LIMITATIONS OR EXCLUSIONS MAY NOT APPLY TO YOU.

THIS WARRANTY GIVES YOU SPECIFIC LEGAL RIGHTS, AND YOU MAY ALSO HAVE OTHER RIGHTS, WHICH VARY, FROM STATE TO STATE.

TABLE A

<u>Product</u>	<u>Warranty Period</u>	
	<u>Heat Exchanger/Tubes</u>	<u>Burners</u>
Cozy Gas Fired Floor Furnace	10 Years	10 Years
Cozy Gas Fired Wall Furnace	10 Years	10 Years
Cozy Gas Fired Vented Console Heater	10 Years	10 Years
Cozy Gas Fired Direct Vent Heater	10 Years	10 Years
Cozy Gas Fired Counterflow Furnace	10 Years	10 Years
Cozy Gas Fired Counterflow Direct Vent Furnace	10 Years	10 Years
Cozy Gas Fired Mobile Home Direct Vent Furnace	10 Years	10 Years
Cozy Gas Fired Hi-Efficient Direct Vent Wall Furnace	10 Years	10 Years
Cozy Gas Fired Direct Vent Baseboard Heater	10 Years	10 Years
Cozy Fan-Type, Direct Vent Through-The-Wall Gas Heater	10 Years	10 Years
Cozy Blue Flame Vent Free Heater	N/A	10 Years
Cozy Infra-Red Vent Free Heater	N/A	N/A

COZY HEATING SYSTEMS LLC

3230 INDUSTRIAL PARKWAY. - JEFFERSONVILLE, IN 47130



CALEFACTORA CONTRAFLUJO DE PARED DE VENTILA DIRECTA



INSTRUCCIONES DE INSTALACIÓN Y OPERACIÓN



Sistema de 24 voltios con piloto de BTU bajo

MODELOS		
Gas Natural	DVCF403C-H	DVCF553C-H
Gas L.P.	DVCF404C-H	DVCF554C-H

Sistema de 24 voltios con encendido intermitente (I.I.D.)*

MODELOS		
Gas Natural	DVCF407C-H	DVCF557C-H
Gas L.P.	DVCF408C-H	DVCF558C-H

*I.I.D. son siglas del ingles Intermittent Ignition (encendido intermitente).

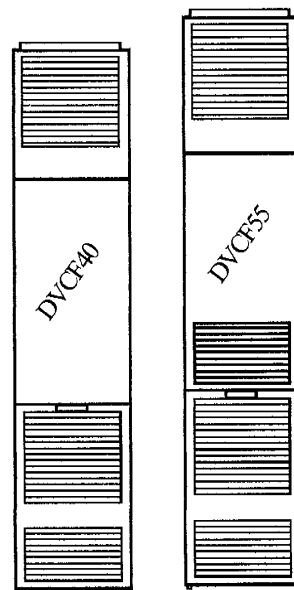
INSTALADOR: Deje este manual junto al dispositivo.

CONSUMIDOR: Conserve este manual para referencia futura.

Es posible que el revestimiento elegido para proporcionar mayor duración al alternador de calor humee levemente tras el encendido inicial. Por favor, proporcione ventilación adecuada si esto sucede.

PRECAUCIÓN: Si la información contenida en este manual no se sigue al pie de la letra, podría provocarse un incendio o explosión causando daños a la propiedad, lesiones a las personas o pérdida de la vida.

- No almacene o utilice gasolina ni otros vapores o líquidos inflamables cerca de este o algún otro aparato.
- **QUÉ HACER SI DETECTA OLOR A GAS**
 - No trate de encender ningún aparato.
 - No toque ningún interruptor eléctrico ni utilice los teléfonos del lugar donde se encuentra.
 - Inmediatamente llame a la compañía de gas desde la casa de un vecino. Siga las instrucciones de la compañía de gas.
 - Si no se puede comunicar con la compañía de gas, llame al Departamento de Bomberos.
- **LA INSTALACIÓN Y EL SERVICIO DE ESTE APARATO DEBEN SER REALIZADOS POR UN INSTALADOR CALIFICADO, AGENCIA DE SERVICIO O LA COMPAÑÍA DE GAS.**



ATENCIÓN: Si este calefactor se pone a funcionar sin el sistema de ventilación y el protector de la ventila que se incluyen y no se instalan como se indica, podría provocar envenenamiento por monóxido de carbono (CO) y posiblemente hasta la muerte. Para su seguridad, este calefactor y el sistema de ventilación se deben inspeccionar por lo menos una vez al año por un técnico calificado.

Esta unidad es solo para uso residencial y no está aprobada para instalación en invernaderos, o ambientes con condiciones polvorientas, mojadas, corrosivas, o explosivas. Tales condiciones invalidarán la garantía y pueden crear condiciones inseguras.

La instalación, mantenimiento, servicio, localización y resolución de problemas y reparación se deben realizar por una agencia de servicio calificada. Sr./Sra. DUEÑO DE CASA, **no** intente ninguno de estos procedimientos usted mismo ya que podría exponerse a daño de propiedad, lesión personal, o pérdida de vida y su garantía será inválida.

Donde no esté prohibido por los códigos locales, este artefacto de reemplazo puede instalarse en una casa rodante pre-fabricada del tipo que se fija permanentemente. Este artefacto es para usar solamente con el tipo de gas indicado en la placa nominal. Este artefacto no puede convertirse para usar con otros gases, salvo que se use un kit (juego) aprobado.

TABLA DE CONTENIDO

Introducción.....	2	Llama correcta del quemador.....	10
Especificaciones y dimensiones.....	2	Juego opcional de descarga lateral.....	14
Reglas de seguridad.....	3	Alambrado del bloque de terminales.....	13
Espacios libres.....	4, 5	Reposición manual.....	13
Ubicación.....	6	Instrucciones para mantenimiento.....	13
Instalación.....	6	Localización de problemas.....	19 - 21
Operación.....	7	Lista de partes.....	16
Instrucciones de encendido.....	8, 9	Dibujos de partes.....	17 - 18
Ajuste del piloto.....	10	Garantía.....	23
Cómo quitar el quemador.....	10		

INTRODUCCIÓN

Lea este instructivo completamente antes de instalar, dar servicio o utilizar el calefactor a contraflujo de pared con ventila directa. Si usted no entiende alguna parte de este instructivo, consulte a los expertos de su localidad, instaladores calificados, técnico de servicio, la compañía de gas o al fabricante. **DE NO LEER O COMPRENDER ESTE INSTRUCTIVO, SE PUEDE PROVOCAR UNA DESCOMPOSTURA, LA OPERACIÓN INEFICIENTE, Y DAÑOSA LA PROPIEDAD, LESIONES SERIAS O LA MUERTE.**

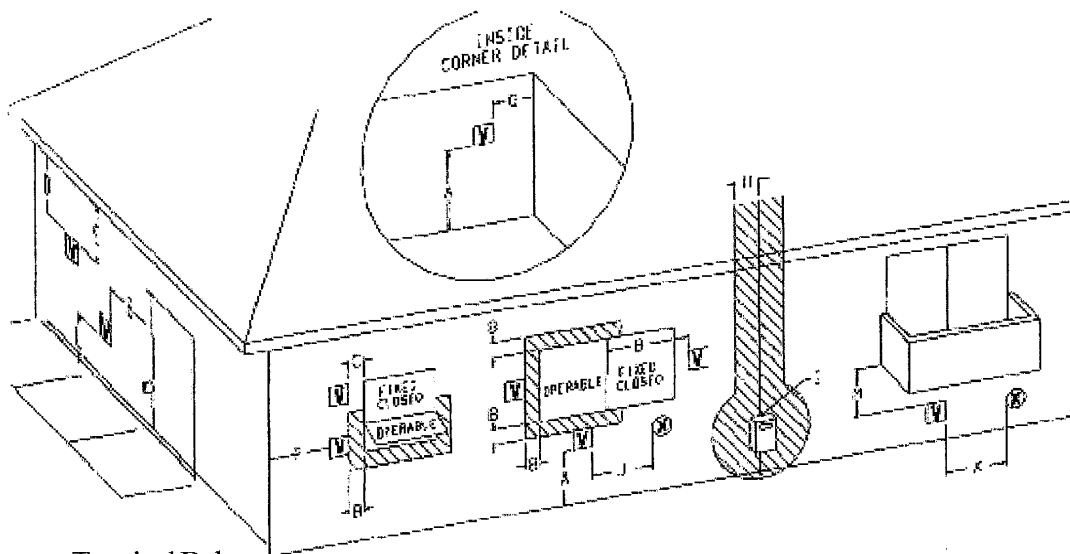
ESPECIFICACIONES Y DIMENSIONES

Su calefactor a contraflujo de pared con ventila directa fue enviado completo en dos cajas. Una caja contiene el calefactor, el termostato, el alambre para el termostato y grapas aislantes. La segunda caja contiene el tubo de la ventila, el tubo de entrada de aire y el ensamble de la tapa de la ventila. Después de haber retirado el calefactor de la caja, revise la placa de clasificación para verificar que el número de modelo sea el correcto y que el calefactor de pared venga equipado para el tipo de gas que usted pretende utilizar.

Modelo	Tipo de Control	Tipo de Gas	Entrada BTU/Hr. de gas	Conex. de gas	DIMENSIONES	Vel. del Ab.	Amps	CFM	Peso Aprox. de Envío
MODELOS CON PILOTO VERTICAL DE BTU BAJO									
DVCF403C-H	24 Volt	Nat.	40,000	1.27 cm	36.35cmLx199.71cmAlt.x29.85cmA	1	1.95	320	59 Kg
DVCF404C-H	24 Volt	L.P.	40,000	1.27 cm	36.35cmLx199.71cmAlt.x29.85cmA	1	1.95	320	59 Kg
DVCF553C-H	24 Volt	Nat.	55,000	1.27 cm	36.36cmLx221.77cmAlt.x29.85cmA	1	3.05	440	66 Kg
DVCF554C-H	24 Volt	L.P.	55,000	1.27 cm	36.35cmLx221.77cmAlt.x29.86cmA	1	3.05	440	66 Kg
MODELOS CON ENCENDIDO INTERMITENTE									
DVCF407C-H	24 Volt	Nat.	40,000	1.27 cm	36.35cmLx199.71cmAlt.x29.85cmA	1	2.2	320	59 Kg
DVCF408C-H	24 Volt	L.P.	40,000	1.27 cm	36.35cmLx199.71cmAlt.x29.85cmA	1	2.25	320	59 Kg
DVCF557C-H	24 Volt	Nat.	55,000	1.27 cm	36.35cmLx221.77cmAlt.x29.85cmA	1	3.3	440	66 Kg
DVCF558C-H	24 Volt	L.P.	55,000	1.27 cm	36.35cmLx221.77cmAlt.x29.85cmA	1	3.35	440	66 Kg

REGLAS DE SEGURIDAD

1. Este aparato debe ser instalado de acuerdo con los códigos locales, en su caso; si no, observar el Código Nacional de Gas Combustible, ANSIZ223.1/NFPA54 o el gas natural y propano código de Instalación, CSA-B149.1 .
2. Siga todos los códigos y reglamentos que se aplican al uso de este aparato. Si no los hay en su localidad, siga la última edición del Código Nacional Para Gas Combustible, ANSI Z223.1. Se puede obtener una copia de dicho código de la Asociación Americana de Gas, 1515 Wilson Blvd., Arlington, VA. 22209, o de la Asociación Nacional de Protección Contra Incendios, Batterymarch Park, Quincy, MA. 02269. Si reside en Canadá, utilice la última edición del código de instalación CAN1-B149. En Canadá, consulte el código de instalación actual CAN1-B149 que pueda obtener de International Approval Services, 55 Scarsdale Road, Don Mills, Ontario, Canada M3B-2R3.
3. Al instalarse el aparato, este debe hacer tierra en conformidad con los códigos locales o, en ausencia de códigos locales, en conformidad con la última edición del Código Nacional Eléctrico de los Estados Unidos, ANSI/NFPA 70. Si reside en Canadá, use CSA C22.2, Código Eléctrico Canadiense. En Canadá, consulte el código de instalación actual CAN1-B149 que pueda obtener de International Approval Services, 55 Scarsdale Road, Don Mills, Ontario, Canada M3B-2R3.
4. No instale este calefactor en un vehículo o trailer o de recreo.
5. No ponga en funcionamiento el calefactor de pared a menos que esté conectado al sistema de ventilación que se proporciona con la tapa de la ventila en su lugar. No trate de extender los tubos para ventilación. La longitud máxima es de 12 pulgadas.
6. Nunca use cerillos, velas, llamas abiertas u otra fuente inflamable para detectar fugas de gas. Utilice únicamente una jabonadura o detergente líquido.
7. Antes de limpiar o dar servicio a su aparato, cierre el gas y permita que se enfríe el calefactor.
8. No haga funcionar el calefactor sin las parrillas y el panel delantero en su lugar.
9. Debido a las altas temperaturas, el calefactor de pared se debe colocar alejado del tráfico y de muebles y cortinas.
10. Se debe alertar a niños y adultos del peligro que presenta una superficie a alta temperatura y se deben mantener alejados para evitar quemaduras o que se incendie la ropa.
11. Los niños pequeños deben ser supervisados estrictamente cuando se encuentren en el mismo cuarto donde se encuentra instalado el calefactor de pared.
12. No coloque ropa u otros materiales inflamables sobre o cerca del calefactor.
13. La instalación y la reparación se deben realizar por un técnico de servicio calificado. El calefactor de pared debe ser inspeccionado antes de ser usado y por lo menos una vez al año. Dicha inspección debe ser realizada por un técnico de servicio profesional. Quizá sea necesario limpiar con más frecuencia el aparato debido a un exceso de pelusa de las alfombras, blancos, etc. Es de suma importancia que los compartimientos de control, los quemadores y los ductos de circulación del aire del aparato se mantengan limpios.
14. No coloque nada alrededor del calefactor o de la tapa de la ventila que pueda obstruir el flujo del aire que se usa para la combustión y la ventilación.
15. Al instalar el calefactor, permita que haya espacios libres adecuados para acceso para dar servicio y operación adecuado. (Ver la Ilustración 1).
16. La calefacción de pared debe estar ubicada cerca del centro del área para ser calentada a fin de tener distribución óptima del calor. Si la calefacción de pared está instalada directamente sobre la alfombra, azulejo u otro material que no sea piso de madera, la calefacción de pared debe ser instalada sobre una placa de metal o panel de madera asegurado al suelo, extendiendo todo el ancho y profundidad de la calefacción de pared. Si se va a instalar un kit de registro lateral, vea la página 14.
17. No use este aparato si alguna de sus partes ha estado bajo el agua. De inmediato llame a un técnico calificado para que inspeccione el calefactor y que cambie cualquier parte del sistema de control que haya sido sumergida bajo el agua.
18. Para sus seguridad, este calefactor viene equipado con un interruptor limitador auxiliar de reposición manual. En caso de falla del interruptor limitador primario, este interruptor cerrará totalmente la válvula antes de que se llegue a tener temperaturas no seguras. Después de un período de enfriamiento, el interruptor se debe activar manualmente. Si continúa apagado, llame a un técnico calificado.
19. Los separadores de gas de descarga lateral no deben exceder de 25.40 cm.
20. Localice el interruptor limitador auxiliar y presione el botón rojo de reposición. Esto reajustará el interruptor en caso de que se hubiese abierto accidentalmente durante el embarque.



V Terminal Del Respiradero

X Entrada Del Suministro de aire

▨ Area donde el terminal no se permite

SEPARACIONES DEL TERMINAL DEL RESPIRADERO

CARTA DE REFERENCIA AL DIBUJO	INSTALACIONES ¹ CANADIENSE	INSTALACIONES ² DE U.S.
A = Holgadura sobre grado, veranda, porche, cubierta, o balcón	12 Pulgadas (30 cm)	12 Pulgadas (30 cm)
B = Holgadura a ventana o puerta que pudiera estar abierta	12 Pulgadas (30 cm)	DVCF40__ 9 Pulgadas (23 cm) DVCF55__ 12 Pulgadas (30 cm)
C = Holgadura a una ventana cerrada permanentemente	12 Pulgadas (30 cm)	DVCF40__ 9 Pulgadas (23 cm) DVCF55__ 12 Pulgadas (30 cm)
D = Holgadura Vertical a un soffit ventilado localizado sobre el terminal dentro de una distancia horizontal de 2 Pies (61 cm) de la línea del centro del terminal	18 Pulgadas (46 cm)	18 Pulgadas (46 cm)
E = Holgadura a un soffit sin ventilación	24 Pulgadas (61 cm)	24 Pulgadas (61 cm)
F = Holgadura a la esquina exterior	12 Pulgadas (30 cm)	12 Pulgadas (30 cm)
G = Holgadura a la esquina interior	12 Pulgadas (30 cm)	12 Pulgadas (30 cm)
H = Holgadura a cada lado de la línea del centro extendida sobre el ensamble del medidor/regulador	3 Pies (91 cm) dentro de una altura de 15 Pies (4.5m) sobre el ensamble del regulador/medidor	Holgadura de acuerdo con códigos de instalación local y los requisitos del proveedor de gas
I = Holgadura a la salida de ventilación del regulador de servicio	3 Pies (91 cm)	Holgadura de acuerdo con códigos de instalación local y los requisitos del proveedor de gas
J = Holgadura a la entrada del suministro de aire mecánico al edificio o la entrada de aire de combustión a cualquier otro artefacto	12 Pulgadas (30 cm)	DVCF40__ 9 Pulgadas (23 cm) DVCF55__ 12 Pulgadas (30 cm)
K = Holgadura a una entrada de suministro de aire mecánico	6 Pies (1.83 m)	3 Pies (91 cm) sobre si esta dentro de 10 Pies (3 m) horizontalmente
L = Holgadura sobre acera o estacionamiento pavimentado ubicado en una propiedad publica	7 Pies (2.13m) Una ventilación no terminara directamente sobre una acera o estacionamiento ubicado entre dos residencias sencillas familiares y sirve a ambas residencias.	Holgadura de acuerdo con Códigos de instalación local y los requisitos del proveedor de gas.
M = Holgadura bajo veranda, porche, cubierta, o balcón	12 Pulgadas (30 cm) permitido solamente si la veranda, porche, cubierta, o balcón esta abierta completamente sobre un mínimo de dos lados.	Holgadura de acuerdo con Códigos de instalación local y los requisitos del proveedor de gas.

¹ De acuerdo con el actual CSA-B149.1 Código de instalación de Propano y Gas Natural

² De acuerdo con el actual ANSI Z223.1 / NFPA 54 Código de Gas Combustible Nacional

ESPACIOS LIBRES

1. El espacio libre mínimo que se debe dejar a las paredes laterales es de 10.16 cm. (Ver Ilustración 1). **NOTA:** La unidad puede ser empotrada y descansar directamente contra los entranos laterales y la superficie interna de la pared trasera.
2. El espacio libre mínimo al cielo es de 10.16 cm. (Ver la Ilustración 1).
3. El espacio mínimo al piso es de 0 cm. (Ver la Ilustración 1).
4. El espacio mínimo desde el lado de la tapa de la ventila a cualquier obstrucción, protuberancia o esquina, es de 30.48 cm. (Ver Ilustración 2b).
5. El espacio libre mínimo que se debe dejar desde cualquier ventana hasta el lado de la tapa de la ventila es de 22.86 cm para los Modelos DVCF403C, 404C, 407C y 408C (Ver la Ilustración 2), y de 30.48 cm para los Modelos DVCF553C, 554C, 557C y 558C (Ver la Ilustración 2b).
6. El espacio mínimo desde cualquier proyección superior es de 60.96 cm a la parte superior de la tapa de la ventila (Ver Ilustración 2).
7. **INSTALACIÓN EN UN GARAJE RESIDENCIAL:** El equipo para uso de gas en garajes residenciales será instalado de manera que todos los quemadores y dispositivos de encendido estén ubicados no menos de 46 cm por encima del piso. Dicho equipo deberá ser ubicado, o protegido, de manera que no esté sujeto a daños por un vehículo en movimiento. Tenga cuidado en elegir un buen sitio dentro del garaje. **NO COLOQUE** el aparato en un lugar donde el aire caliente salga directamente sobre un vehículo que esté estacionado cerca. La pintura de los autos se puede decolorar o las partes de hule se pueden endurecer y fracturarse. **NO PERMITA** que la descarga de aire caliente sople directamente sobre recipientes abiertos o cerrados con pintura, gasolina u otros líquidos que contengan vapores inflamables.

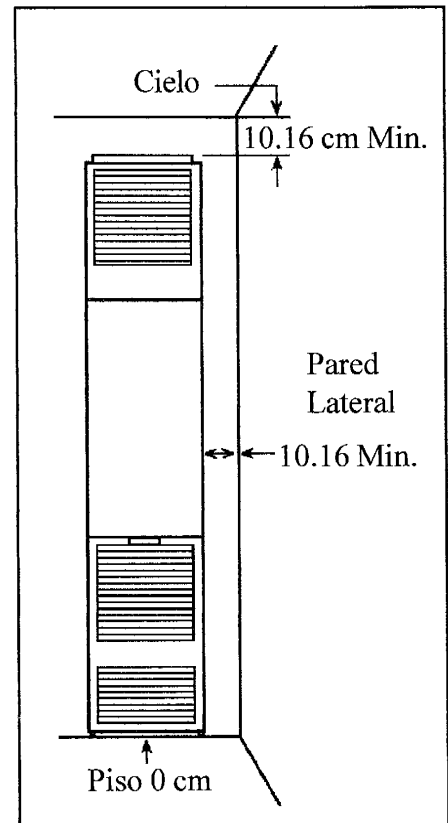


ILUSTRACIÓN 1

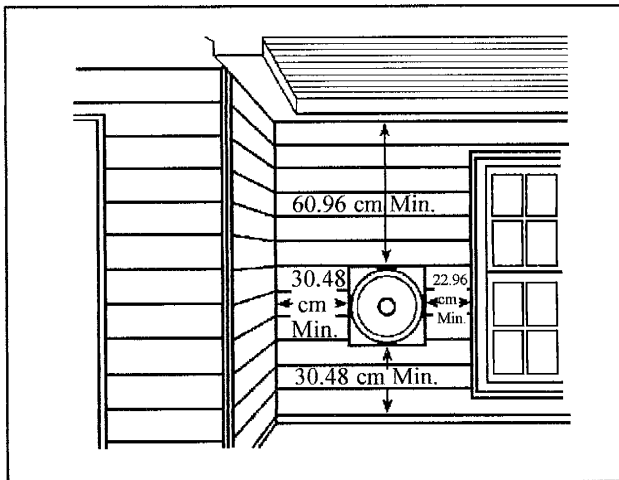


ILUSTRACIÓN 2 / DVCF403C, 404C, 407C, Y 408C

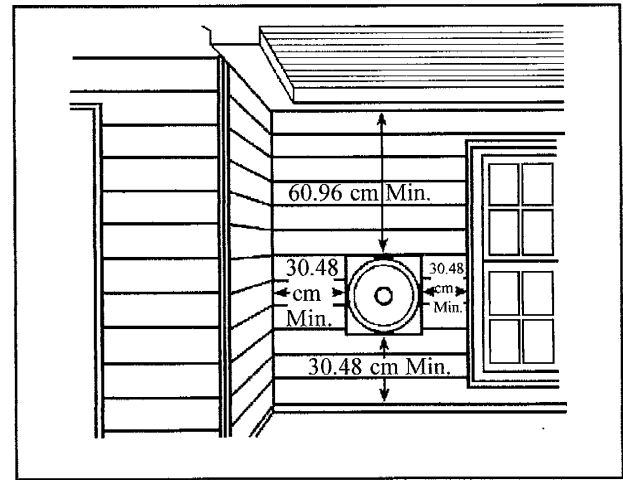


ILUSTRACIÓN 2B / DVCF553C, 554C, 557C, Y 558C

UBICACIÓN

1. El calefactor de pared debe instalarse en una pared que dé al exterior y debe tener la ventilación hacia el exterior. Si es posible, esta pared debe estar en el lado de la casa que reciba la menor cantidad de viento ya que los vientos fuertes pueden hacer que se apague el piloto.
2. Para un mejor funcionamiento, coloque el calefactor lo más centrado posible en el área que se habrá de calentar.
3. El calefactor se puede instalar al ras de la pared o empotrarse hasta un máximo de 25.40 cm. Para una combustión adecuada, asegúrese que la unidad esté nivelada de enfrente hacia atrás y de lado a lado.
4. No instale el calefactor en un closet o hueco, ni en un pasillo pequeño donde el calefactor podría estar aislado del espacio que se ha de calentar simplemente al cerrar una puerta.
5. Asegúrese de que se haya dejado el espacio libre adecuado para la tapa de la ventila (Ver la Ilustración 2).
6. Revise la parte de adentro de la pared para asegurarse de que no haya obstáculos como tuberías de agua, alambrado eléctrico, etc., que pudiera interferir con la instalación del calefactor o de los ductos para ventilación.
7. Asegúrese de conservar los espacios libres adecuados para tener acceso con el fin de dar servicio al aparato y permitir la operación adecuada del mismo.
8. Si el calefactor se instala en un subterráneo, se debe conservar un espacio libre de 30.48 cm entre el nivel del piso y la parte inferior de la tapa de la ventila. No instale el calefactor en lugares donde la tapa de la ventila termine en el claro de una ventana o en cualquier otra apertura que esté por debajo del nivel del piso.

INSTALACIÓN

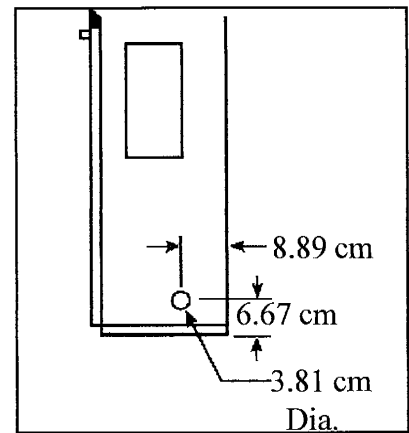
INSTALACIÓN ELÉCTRICA

Para su conveniencia, este calefactor está equipado con un cordón eléctrico de tres clavijas, el cual se encuentra en la parte superior izquierda del calefactor. El alambrado de 115V se debe introducir en el lado izquierdo, terminando en un receptáculo (no viene incluido). Consulte los códigos o reglamentos locales. (Consulte la página 2 sobre Especificaciones y Dimensiones).

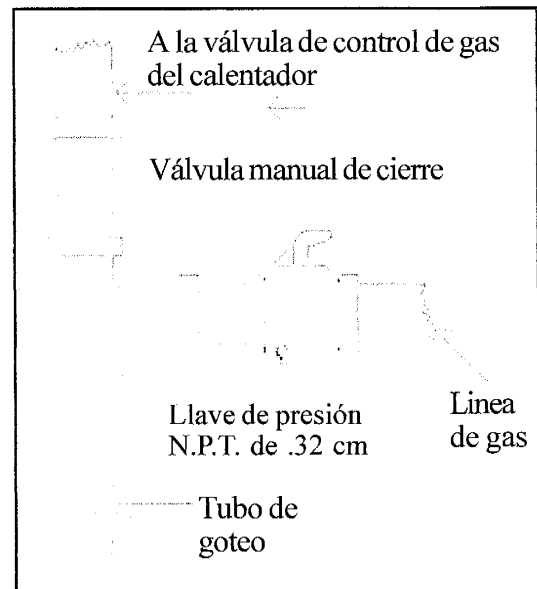
INSTALACIÓN DEL GAS

Instale una línea para gas de 1.27 cm de diámetro. La línea del gas puede entrar al gabinete del calefactor por el lado derecho o por el piso (Ver la Ilustración 3). La línea del gas debe tener una válvula individual de cierre manual. También, debe instalar un tubo de goteo en la línea de gas y dejar un tubo de prueba (con rosca y tapón) de N.P.T. de .32 cm, que sea de fácil acceso para una conexión de prueba, inmediatamente cuesta arriba de la conexión de abastecimiento de gas hacia el aparato. (Ver la Ilustración 4).

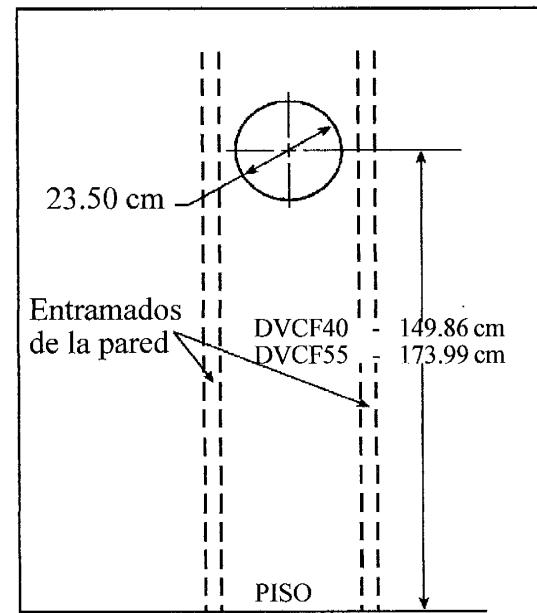
El calefactor y la válvula individual de cierre se deben desconectar del sistema de la tubería de gas durante cualquier prueba de presión del sistema a una presión que exceda de 3.5kPa. El calefactor se debe aislar del sistema de la tubería del gas cerrando la válvula manual individual de cierre durante cualquier prueba de presión del sistema de tubería de gas a presiones de prueba iguales o menores a 3.5kPa.



ILUSTRACION 3



ILUSTRACION 4



ILUSTRACION 5

COLOCACIÓN DE LA APERTURA PARA LA VENTILA

Después de haber determinado la ubicación del calefactor, se debe hacer un orificio para el ducto de la ventila. Si el calefactor va a ser empotrado, corte la apertura para el calefactor entre los entramados de la pared interior y corte la placa del piso entre los entramados, de manera que el calefactor descansa plano sobre el piso, ya que todas las dimensiones que se dan son para un piso terminado. La altura del orificio para un modelo de 40,000 BTU es de 199.71 cm, para los modelos de 55,000 la altura del orificio es de 221.71 cm. NOTA: Esta dimensión se puede aumentar para permitir que haya más espacio para instalación y para volver a hacer la conexión del alambrado.

Luego, corte una apertura de 23.50 cm en la pared exterior para que pasen los tubos de la ventila. El centro de la apertura para el calefactor de 40,000 BTU es de 149.86 cm, el centro para aperturas para calefactores de 55,000 BTU es de 173.99 cm. Ver la Ilustración 5 de la página 4.

Si va a instalar el calefactor sobre la superficie de la pared, corte una apertura de 23.50 cm que atraviese la pared interior y exterior. El centro del orificio será de 149.86 cm para 40,000 BTU y 173.99 cm para los modelos de 55,000 BTU. Asegúrese de que los dos orificios estén nivelados entre sí.

INSTALACIÓN DEL CALEFACTOR

El sistema de ventilación que viene con este aparato sirve para paredes desde 1.91 cm (si se empotra el aparato) hasta 30.48 cm de ancho. Utilice únicamente el tubo de escape, el tubo de entrada del aire y la tapa de la ventila que vienen incluidos con el calefactor. No intente alargar los tubos de escape o de entrada del aire, ya que esto podría provocar un desbalance en el calefactor dando como resultado el mal funcionamiento del aparato y que se apague el piloto, (Ver la Ilustración 6).

Mida la distancia exacta "X" entre la superficie contra la cual descansará la parte trasera del gabinete (dentro de la cavidad o la superficie de la pared cuando se deja parado sólo) y la superficie de la pared exterior (Ver Ilustración 6).

Tubo de entrada de aire "A" – Midiendo desde la superficie del empaque, marque y corte el tubo igual que la dimensión "X". Quite todas las rebabas.

Tubo de escape "B" – Midiendo desde la superficie del empaque, marque y corte el tubo 4.45 cm más grande que la dimensión "X". Quite todas las rebabas.

Sujete el tubo de escape de la ventila "B" al collar del cambiador de calor y el tubo de entrada de aire "A" al reborde de la parte trasera del calefactor utilizando 16 tornillos #8x3/8 ("C") que se incluyen. Asegúrese de que los empaques estén en su lugar y no estén dañados. Siempre que se quiten los tubos de la ventila, revise y cambie los empaques si es necesario. El no cambiar los empaques en caso de no estar en su lugar o de que estén dañados, puede exponer al usuario a condiciones peligrosas para su vida.

Sujete el calefactor en su lugar utilizando los dos orificios que están en la parte inferior de la armazón. NOTA: Asegúrese de que los dos tubos estén centrados en el orificio. Deslice la tapa de la ventila en los tubos que se extienden desde la parte de atrás del calefactor. Para facilitar esta instalación, se recomienda usar un movimiento giratorio. Sujete la tapa de la ventila y la placa espaciadora de la misma tapa a la pared haciendo que los tubos de la ventila tengan una ligera inclinación hacia abajo. Esto impedirá que entre el agua. Quizá sea necesario utilizar pernos prisioneros los cuales no vienen incluidos con el calefactor. Aplique boquilla alrededor de la placa espaciadora de la terminal de la ventila con la masilla emboquilladora que se le ha proporcionado. Ver la Ilustración 9. NOTA: Quizá sea necesario encuadrar el área para proporcionar una superficie plana para que la placa espaciadora de la terminal de la ventila tope contra esta misma y así impida que la lluvia entre por el orificio.

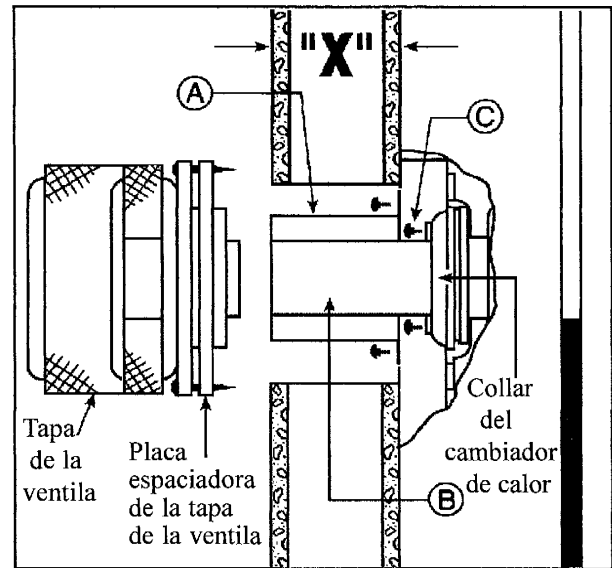


ILUSTRACIÓN 6

CONEXIÓN DEL GAS

Haga la conexión del gas entre la válvula de cierre manual y la válvula del calefactor con los conectores aprobados de 1.27 cm. Los compuestos que se utilicen para las juntas enroscadas de los tubos para gas deberán ser del tipo aprobado para uso con gas L.P. El instalador debe revisar las líneas de gas con jabonadura o detergente líquido para detectar fugas, nunca debe usar fuego para este fin. Si las conexiones no están expuestas, se debe hacer una prueba de presión. Asegúrese de desconectar la línea del gas de la válvula del aparato antes de hacer la prueba de presión. La presión del distribuidor se fija en la fábrica y debe estar en .87kPa para gas natural y 2.49kPa para gas L.P. La presión mínima de entrada para gas natural es de 1.12kPa y 2.74kPa para gas L.P., "para fines de ajuste de entrada". La presión máxima de entrada nunca debe exceder de 1.74kPa con gas natural o 3.49kPa con gas L.P.

INSTALACIÓN DEL TERMOSTATO

Siga las instrucciones que vienen incluidas con el termostato. Elija un lugar para el termostato, a aproximadamente 1.52 m arriba del piso, en una pared interior donde no se vea afectado por fuentes de calor o frío tal como la luz directa del sol, televisores, chimeneas, tuberías ocultas de agua fría o caliente, ráfagas de aire, etc. y a una distancia mínima de 1.22 m del calefactor. El termostato no debe instalarse en un cuarto contiguo. Conecte los cables al termostato e instálelo en la pared. Extienda el alambre hasta el calefactor y conéctelo a los alambres para el termostato que salen de la parte superior del calefactor sujetándolo con las grapas aislantes que se han incluido.

OPERACIÓN

Este calentador está equipado con un regulador de gas de apertura lenta. Cuando hay demanda de calor la válvula de gas no se abre repentinamente a la presión total del múltiple, sino con un aumento gradual hasta alcanzar la presión normal del múltiple. El tiempo que pasa desde la demanda de calor hasta la presión normal de funcionamiento es de dos a cinco segundos. La característica de apertura lenta garantiza el encendido sin peligro y menos ruidoso.

Después de que el cambiador de calor se ha calentado lo suficiente, el abanico se encenderá automáticamente para transferir eficientemente el calor en el cuarto.

**INSTRUCCIONES DE ENCENDIDO / PILOTO VERTICAL
PARA LOS MODELOS DVCF403C-H, DVCF404C-H, DVCF553C-H, DVCF554C-H
PARA SU SEGURIDAD LEA ESTE INSTRUCTIVO ANTES DE ENCENDER EL APARATO**

ADVERTENCIA: Si no sigue estas instrucciones al pie de la letra, podría provocar un incendio o una explosión causando daños a la propiedad, lesiones a las personas o pérdida de la vida.

- A. Este aparato tiene un piloto que se debe encender a mano. Siga estas instrucciones exactamente al encender el piloto.
- B. ANTES DE ENCENDER, huela el área en donde se encuentra el aparato para detectar olor a gas. Asegúrese de olfatear cerca del piso ya que hay gas que es mas pesado que el aire y este tiende a bajar cerca del piso.

QUE HACER SI DETECTA EL OLOR A GAS:

- No trate de encender ningún aparato.
- No toque ningún interruptor eléctrico ni utilice los teléfonos del lugar donde se encuentra.
- Inmediatamente llame a la compañía de gas desde la casa de un vecino. Siga las instrucciones de la compañía de gas.

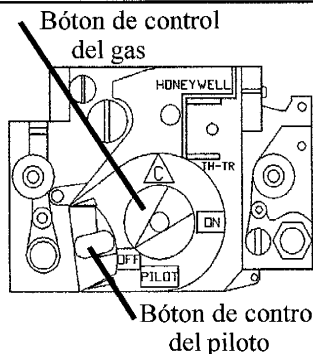
Si no se puede comunicar con la compañía de gas, llame al Departamento de Bomberos.

- C. Utilice solamente la mano para presionar o hacer girar el botón de control del gas. Nunca utilice herramientas. Si el botón no se puede presionar o hacer girar a mano, no trate de repararlo. Llame a un técnico calificado. Si intenta forzar o reparar el botón podría provocar un incendio o explosión.
- D. No use este aparato si alguna de sus partes ha sido sumergida en agua. Llame inmediatamente a un técnico calificado para que inspeccione el aparato y cambie cualquier parte del sistema de control y cualquier control del gas que haya sido sumergido en el agua.

PN 91211 02/05

INSTRUCCIONES DE ENCENDIDO

1. ¡ALTO! Lea la información que se encuentra en la etiqueta de seguridad.
2. Coloque el termostato en el ajuste mas bajo.
3. Desconecte la energía eléctrica del aparato.
4. Retire el panel delantero inferior.
5. Presione el botón de control del gas ligeramente y gírelo hacia la derecha [↻] a la posición de apagado "OFF".



NOTA: Es necesario presionar ligeramente el botón para girarlo de la posición "PILOT" a la posición de apagado "OFF". No lo mueva a la fuerza.

10. Pulse y mantenga presionado el botón de control del piloto. Empiece inmediatamente a presionar y soltar el botón rojo de encendido piezoeléctrico, mientras observa el piloto por medio del vidrio. Continúe haciendo la chispa hasta que el piloto quede encendido. Continúe presionando el botón de control del piloto por aproximadamente un (1) minuto después de que se encienda el piloto. Suelte el botón de control del piloto y volverá a su posición normal. El piloto deberá continuar encendido. Si el piloto se apaga, repita los pasos 4 al 9. Si el botón no vuelve a su posición normal cuando lo suelta, DETÉNGASE de inmediato y llame al técnico de servicio o a la compañía de gas.
- Si el piloto no permanece encendido después de varios intentos, gire el botón de control del gas a la posición "OFF" y llame al técnico de servicio o a la compañía de gas.
11. Cierre la tapa de vidrio.
12. Gire el botón de control del gas hacia la izquierda [↶] a la posición de "ON".
13. Vuelva a colocar el panel delantero inferior.
14. Encienda la corriente eléctrica del aparato.
15. Coloque el termostato en el ajuste deseado.

PN 91211 02/05

PARA APAGAR EL GAS DEL APARATO

1. Coloque el termostato en el ajuste mas bajo.
2. Desconecte la energía eléctrica del aparato si va a darle servicio al mismo.
3. Retire el panel delantero inferior.
4. Presione ligeramente el botón de control del gas y gire a la derecha [↻] a la posición de apagado "OFF". No lo mueva a la fuerza.
5. Vuelva a colocar el panel delantero inferior.

PN 91211 02/05

PARA SU SEGURIDAD LEA ESTE INSTRUCTIVO ANTES DE ENCENDER EL APARATO

ADVERTENCIA: Si no sigue estas instrucciones al pie de la letra, podría provocar un incendio o una explosión causando daños a la propiedad, lesiones a las personas o pérdida de la vida.

- A. Este aparato está equipado con un dispositivo que enciende automáticamente el piloto. **NO** trate de encender manualmente el piloto.
- B. **ANTES DE ENCENDER**, huela el área en donde se encuentra el aparato para detectar olor a gas. Asegúrese de olfatear cerca del piso ya que hay gas que es mas pesado que el aire y este tiende a bajar cerca del piso.

QUE HACER SI DETECTA EL OLOR A GAS:


- No trate de encender ningún aparato
- No toque ningún interruptor eléctrico ni utilice los teléfonos del lugar donde se encuentra.
- Inmediatamente llame a la compañía de gas desde la casa de un vecino. Siga las instrucciones de la compañía de gas.


Si no se puede comunicar con la compañía de gas, llame al Departamento de Bomberos.

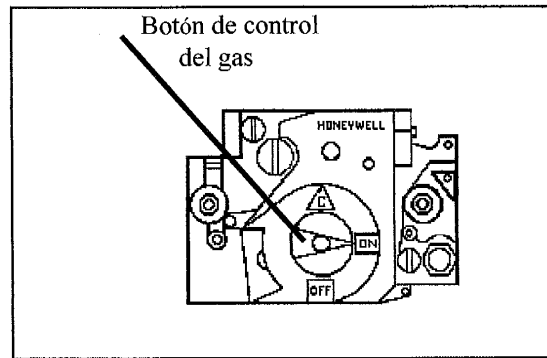
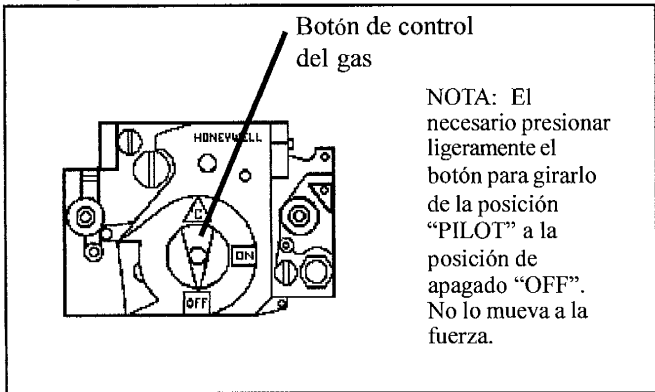
- C. Utilice solamente la mano para presionar o hacer girar el botón de control del gas. Nunca utilice herramientas. Si el botón no se puede presionar o hacer girar a mano, no trate de repararlo. Llame a un técnico calificado. Si intenta forzar o reparar el botón podría provocar un incendio o explosión.
- D. No use este aparato si alguna de sus partes ha sido sumergida en agua. Llame inmediatamente a un técnico calificado para que inspeccione el aparato y cambie cualquier parte del sistema de control y cualquier control del gas que haya sido sumergido en agua.

PN 91214 02/05

INSTRUCCIONES PARA ENCENDER EL APARATO

- 1. ¡ALTO! Lea la información que se encuentra en la etiqueta de seguridad.
- 2. Coloque el termostato en el ajuste mas bajo.
- 3. Desconecte la energía eléctrica del aparato.
- 4. Este aparato está equipado con un dispositivo que enciende automáticamente el piloto. **NO** trate de encender manualmente el piloto.
- 5. Retire el panel delantero inferior.
- 6. Presione el botón de control del gas ligeramente y gírelo hacia la derecha [] a la posición de apagado "OFF".

- 8. Gire el botón de control del gas hacia la izquierda [] a la posición de "ON".




- 7. Espere cinco (5) minutos para que salga todo el gas de la línea. Luego olfatee para ver si puede detectar olor a gas, incluyendo cerca del piso. Si detecta olor a gas, ¡DETENGASE! Siga el punto "B" de la información que se encuentra en la etiqueta de seguridad. Si no detecta olor a gas, prosiga con el siguiente paso.

- 9. Vuelva a colocar el panel delantero inferior.
- 10. Encienda la corriente eléctrica del aparato.
- 11. Coloque el termostato en el ajuste deseado.
- 12. Si el aparato no funciona, siga las instrucciones "PARA APAGAR EL GAS DEL APARATO" y llame al técnico de servicio o a la compañía de gas.

PN 91214 02/05

PARA APAGAR EL GAS DEL APARATO

- 1. Coloque el termostato en el ajuste mas bajo.
- 2. Desconecte la energía eléctrica del aparato si va a darle servicio al mismo.
- 3. Retire el panel delantero inferior.
- 4. Presione ligeramente el botón de control del gas y gire a la derecha [] a la posición de apagado "OFF". No lo mueva a la fuerza.
- 5. Vuelva a colocar el panel delantero inferior.

PN 91214 02/05

AJUSTE DEL PILOTO

Localice la tapa de ajuste del piloto en la válvula. La llama del piloto debe abarcar la parte superior de .95 cm del generador del piloto o del sensor de la llama (Vea la Ilustración 7). El piloto no está regulado por lo tanto funcionará a la presión de la línea de entrada (Máx. de 1.74kPa para gas natural y 2.74kPa para gas propano). Para disminuir la llama del piloto, gire el tornillo en la dirección de las manecillas del reloj (aproximadamente seis vueltas completas hasta el fondo del canal de luz del piloto) hasta que produzca suficiente llama a un nivel mínimo de ruido.

AJUSTE DE LA LLAMA DEL PILOTO La llama del piloto debe abarcar .95 cm a 1.27 cm de la punta del sensor.

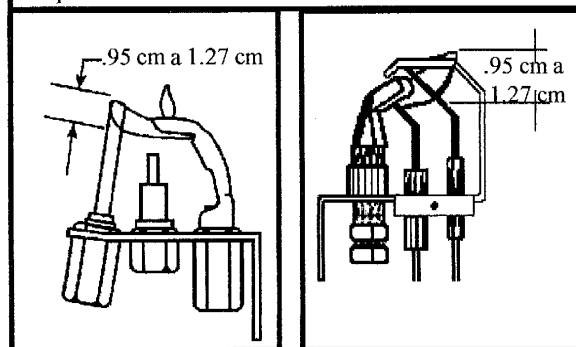


ILUSTRACIÓN 7A
PILOTO VERTICAL

ILUSTRACIÓN 7B PILOTO
DE ENCENDIDO
INTERMITENTE

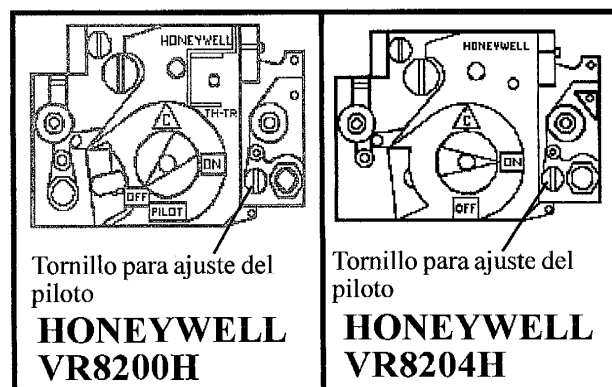


ILUSTRACIÓN 7C
PILOTO VERTICAL

ILUSTRACIÓN 7D PILOTO
DE ENCENDIDO
INTERMITENTE

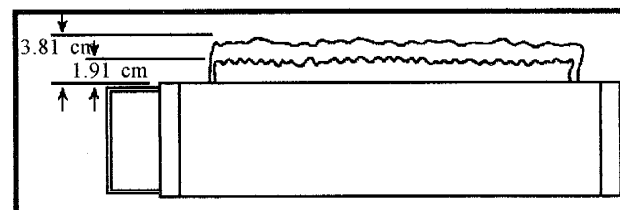


ILUSTRACIÓN 8

CÓMO RETIRAR EL QUEMADOR PRINCIPAL AL REALIZAR LA INSPECCIÓN Y LIMPIEZA

1. Baje el termostato al valor más bajo y permita que se enfríe el calefactor.
2. Apague la energía eléctrica al calefactor.
3. Retire la parrilla inferior.
4. Desconecte el gas de la válvula.
5. Desconecte los alambres de la válvula de gas.
6. Retire los 15 tornillos que sujetan la puerta del quemador a la caja del quemador. Jale la puerta hacia enfrente para quitar el ensamble completo del quemador y de la válvula de gas.
7. Después de inspeccionarlo y limpiarlo, vuelva a colocar el ensamble del quemador en la caja del quemador y apriete los 15 tornillos. **NOTA:** Asegúrese de que el empaque de la puerta no esté dañado y que esté sellando bien, ya que de lo contrario se apagará el piloto.
8. Conecte los cables de nuevo en la válvula.
9. Conecte el gas otra vez a la válvula.
10. Encienda la electricidad del aparato.
11. Siga las instrucciones de encendido, y vuelva a colocar en su lugar la parrilla inferior.

Se recomienda que el calefactor y todos los componentes se inspeccionen por lo menos una vez al año por un técnico de servicio calificado. Esto debe incluir el quemador, el cambiador de calor y el sistema de ventilación. Asegúrese de que el flujo de aire para la combustion y la ventilación no se vea obstruido.

LLAMA APROPIADA DEL QUEMADOR

La llama del quemador se puede observar levantando la tapa del vidrio. Una llama apropiada deberá tener un manto incandescente de color azul obscuro que queda directamente sobre los quemadores, con otro manto incandescente de color azul más claro por encima del quemador (Vea la Ilustración 8). Puede haber un poco de color amarillo donde se unen las llamas del piloto y del quemador. No hay ajuste para aire primario en el quemador, y puede estar seguro de obtener la llama apropiada ya que la presión correcta del distribuidor y las espreas es de fábrica. **NOTA:** Se aconseja que revise las llamas del quemador por lo menos dos veces durante la temporada de uso para ver si es necesario hacer cambios en las características de la llama. El área donde se encuentra el aparato se debe conservar libre de materiales combustibles, gasolina y otros vapores y líquidos inflamables. Este calefactor viene de la fábrica con espreas adecuadas en el quemador para elevaciones de hasta 609.61 m. Los calefactores que son instalados a elevaciones mayores de 609.61 m se deben descalificar 4% por cada 304.8 m. Para obtener el tamaño apropiado de las espreas, encuentre en número de modelo y la elevación correspondiente en la gráfica para espreas. Vuelva a colocar la esprea del quemador. El cambio de orificio se debe completar por un instalador o un técnico de servicio calificados.

NATURAL GAS

Número de Modelo	0 a 609.61 m	609.61 a 1219.21 m	1219.21 a 1828.82 m	1828.82 a 2438.43 m	2438.43 a 3048.04 m
DVCF403C	32	34	35	36	40
DVCF407C	32	34	35	36	40
DVCF553C 3.6mm	29	30	30	30	31
DVCF557C 3.6mm	29	30	30	30	31

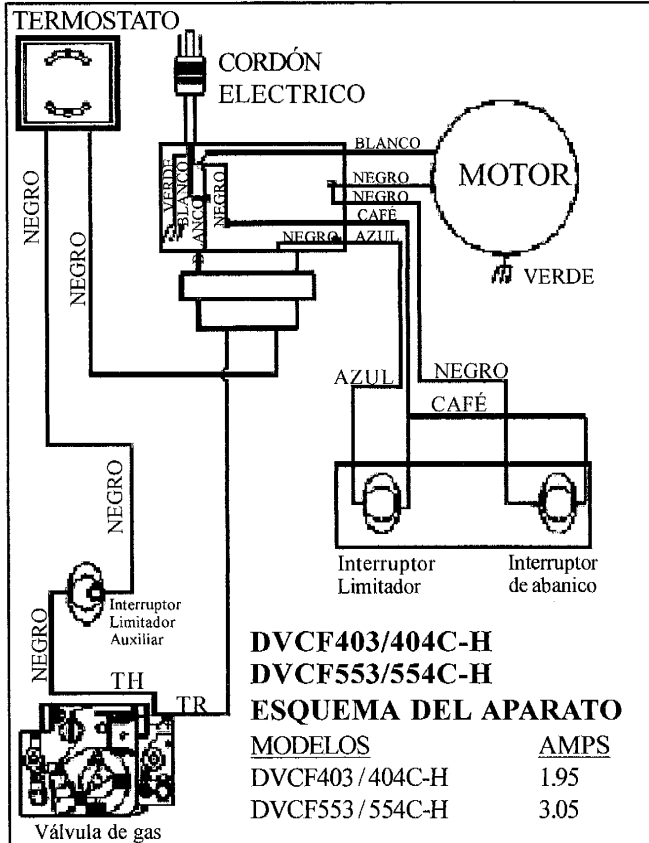
Juego #49840 2287-1 juego para elevaciones mayores

L.P. GAS

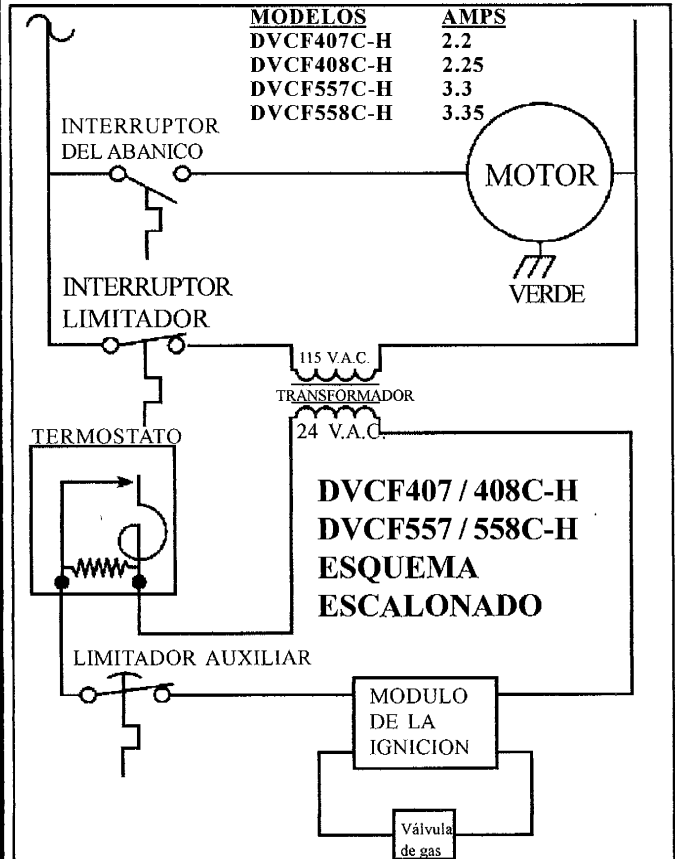
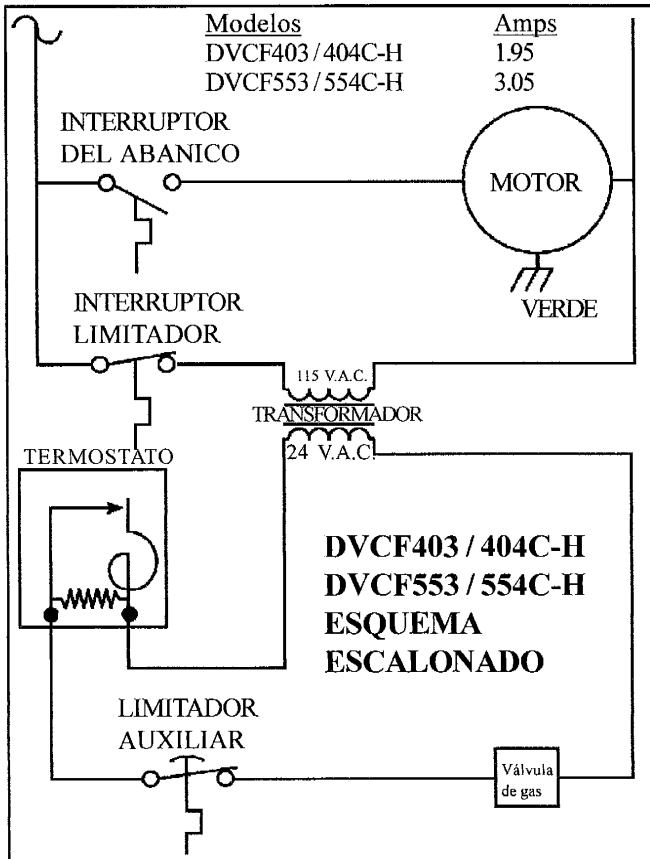
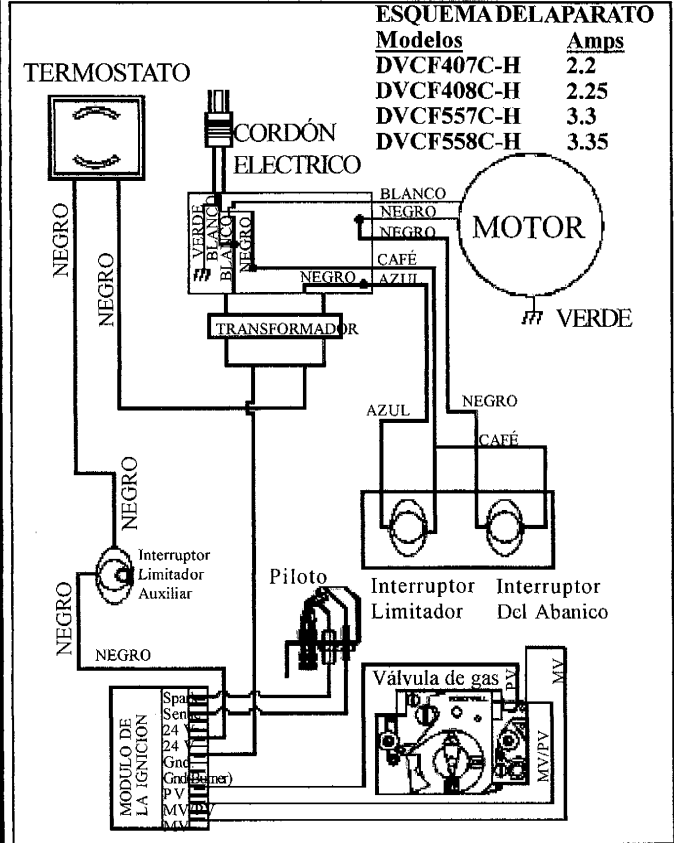
Número de Modelo	0 a 609.61 m	609.61 a 1219.21 m	1219.21 a 1828.82 m	1828.82 a 2438.43 m	2438.43 a 3048.04 m
DVCF404C	49	50	51	52	52
DVCF408C	49	50	51	52	52
DVCF554C	44	45	47	48	49
DVCF558C	44	45	47	48	49

Juego #49840 2287-1 juego para elevaciones mayores

PILOTO VERTICAL

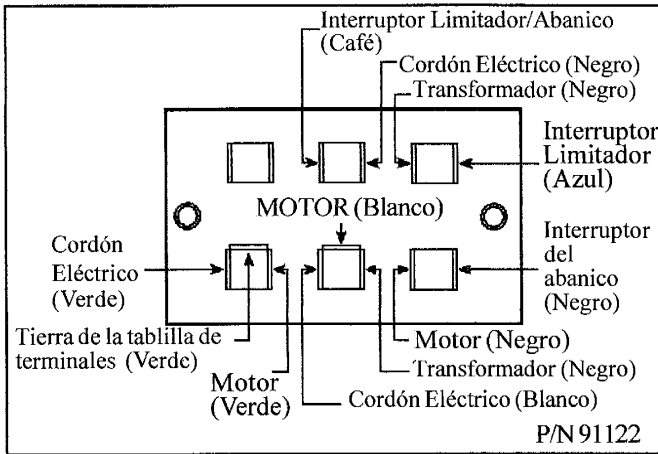


ENCENDIDO INTERMITENTE

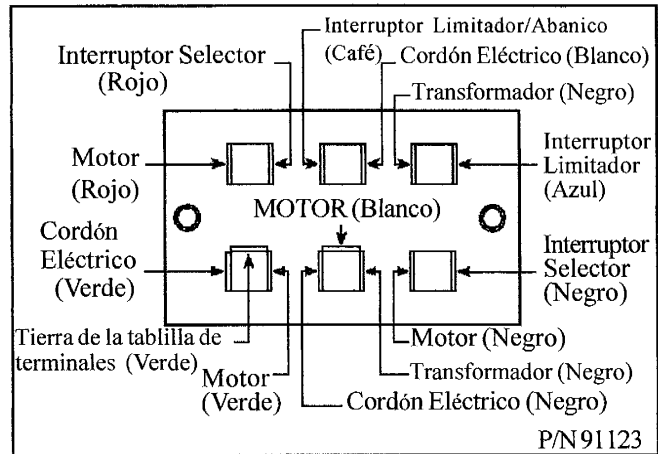


PRECAUCIÓN: Antes de desconectar los alambres para dar servicio a los controles, coloque etiquetas para identificar cada alambre, ya que si comete errores al conectar los alambres, puede provocar el funcionamiento inadecuado y peligroso. Verifique que esté funcionando todo bien después de dar servicio al aparato.

DIAGRAMA DE ALAMBRADO DEL BLOQUE DE TERMINALES



DVCF403C, 404C, 407C, 408C-H



DVCF553C, 554C, 557C, 558C-H

INTERRUPTOR MANUAL DE REPOSICIÓN

Para su seguridad, este calefactor está equipado con un interruptor limitador de reposición manual. En caso de falla del interruptor de límite primario, este interruptor apagará la válvula completamente antes de alcanzar temperaturas peligrosas. Después de un período de enfriamiento, el interruptor se debe reajustar manualmente. Si continúa apagándose el aparato, llame a un técnico calificado.

INSTRUCCIONES DE MANTENIMIENTO

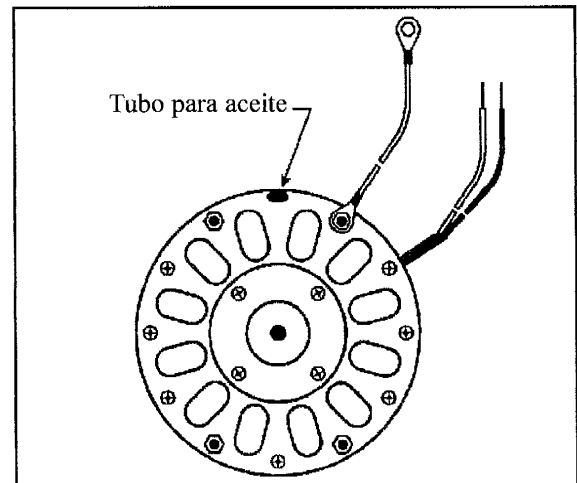
Para que su calefactor tenga un funcionamiento apropiado y seguro, mantenga limpio el calefactor y el área donde éste se encuentra. A intervalos regulares, apague la válvula de control (colóquela en la posición OFF), deje que se enfríe y limpie la parte de adentro del compartimento. Para limpiar el gabinete, utilice solamente un trapo húmedo. No utilice ningún tipo de solvente o líquido limpiador que podría dejar residuos o una capa invisible que se pueda quemar o despedir humo cuando el calefactor se vuelva a encender.

Haga revisar, limpiar y reparar su horno por un técnico de servicio calificado incluyendo el sistema de ventilación, piloto y operación de quemadores antes de su uso cada año.

Debe lubricar los baleros del motor del abanico cada doce (12) meses con aceite para motor S.A.E. 20. (Ver Ilustración 10).

Siga un programa regular de servicio y mantenimiento para que su calefactor tenga un funcionamiento seguro y eficiente.

Examine el sistema de ventilación como parte rutinaria de la revisión anual de seguridad del funcionamiento de su aparato.



ILUSTRACION 10

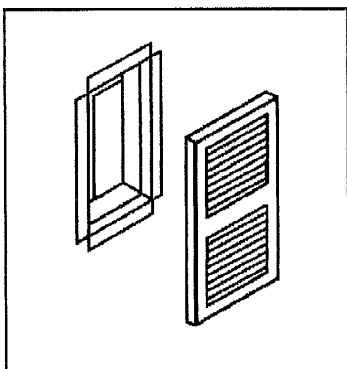
ADVERTENCIA: Este aparato funciona a gas. Mantenga el área libre de gasolina y de otros vapores y líquidos inflamables. Todo material combustible se debe mantener alejado de esta área para evitar que haya incendios o explosión.

JUEGO OPCIONAL DE DESCARGA LATERAL

Este equipo se debe instalar por un instalador o un técnico de servicio calificados.

DESCARGA LATERAL EN LA ARMazón

1. Utilice el juego opcional Nro. 306SR-A.
2. Corte y retire la sección marcada de la parte lateral de la armazón.
3. Retire la parte recortada de la cubierta interior.
4. Coloque el manguito de 3,81 cm. del juego por la apertura, emparejando los rebordes del manguito con la parte recortada de la cubierta interior.
5. Marque los orificios para los tornillos y retire el manguito.
6. Taladre los orificios con una broca de 0,32 cm.
7. Sujete el manguito interior con los tornillos que se incluyen.
8. Coloque la parrilla en su posición correcta, taladre los orificios en la armazón y sujétela con los tornillos que se incluyen.



JUEGO NRO. 306SR-A
REGISTRO LATERAL - AL RAS

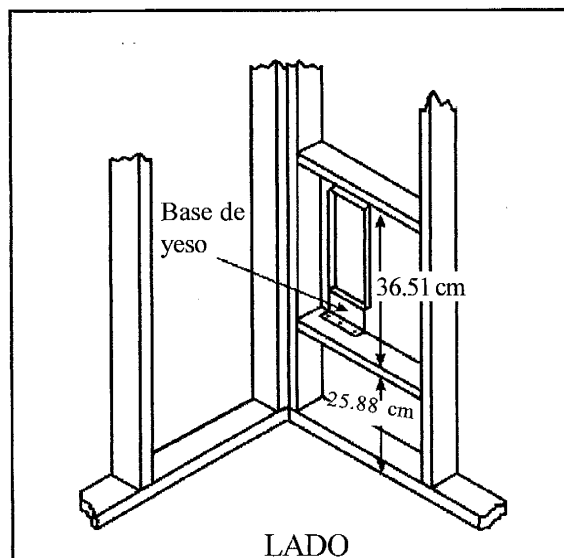
DESCARGA LATERAL (Con mango de extension)

Nota: La longitud máxima del mango es de 25.40 cm.

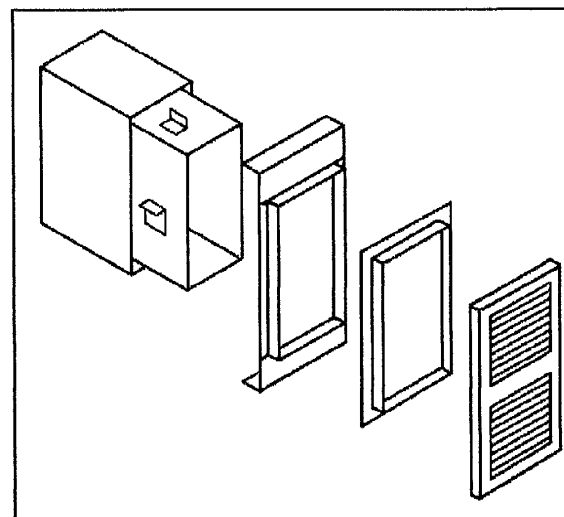
1. Utilice el juego opcional Nro. 30SRB-A.
2. Corte una apertura en la pared (de cartón de yeso) como se muestra en la ilustración 9.
3. Coloque la base de yeso como se muestra en la ilustración 9. (Opcional).
4. Corte y retire la sección marcada de la parte lateral de la armazón.
5. Retire la parte recortada de la cubierta interior.
6. Coloque el calefactor en su posición.
7. Coloque el manguito interior en su posición, marque y corte el manguito al ras de la pared. Coloque el manguito exterior en su posición, marque y corte el manguito al ras de la pared.
8. Coloque la orilla del manguito en su posición, deslice el manguito interno por la pared desde el cuarto contiguo y sujételo a la cubierta interior. Deslice el manguito externo por la pared desde el cuarto contiguo y sujételo a la armazón lateral.
9. Coloque la parrilla en su posición correcta y sujétela a la pared.

PREPARACIÓN PARA LA DESCARGA LATERAL

Instale las bases de yeso como se muestra en la ilustración 9. NOTA: Si utiliza el juego de descarga lateral Nro. 30SRB-A, el calefactor se debe colocar exactamente a 10.16 cm de la pared lateral.



LADO
ILUSTRACIÓN 9

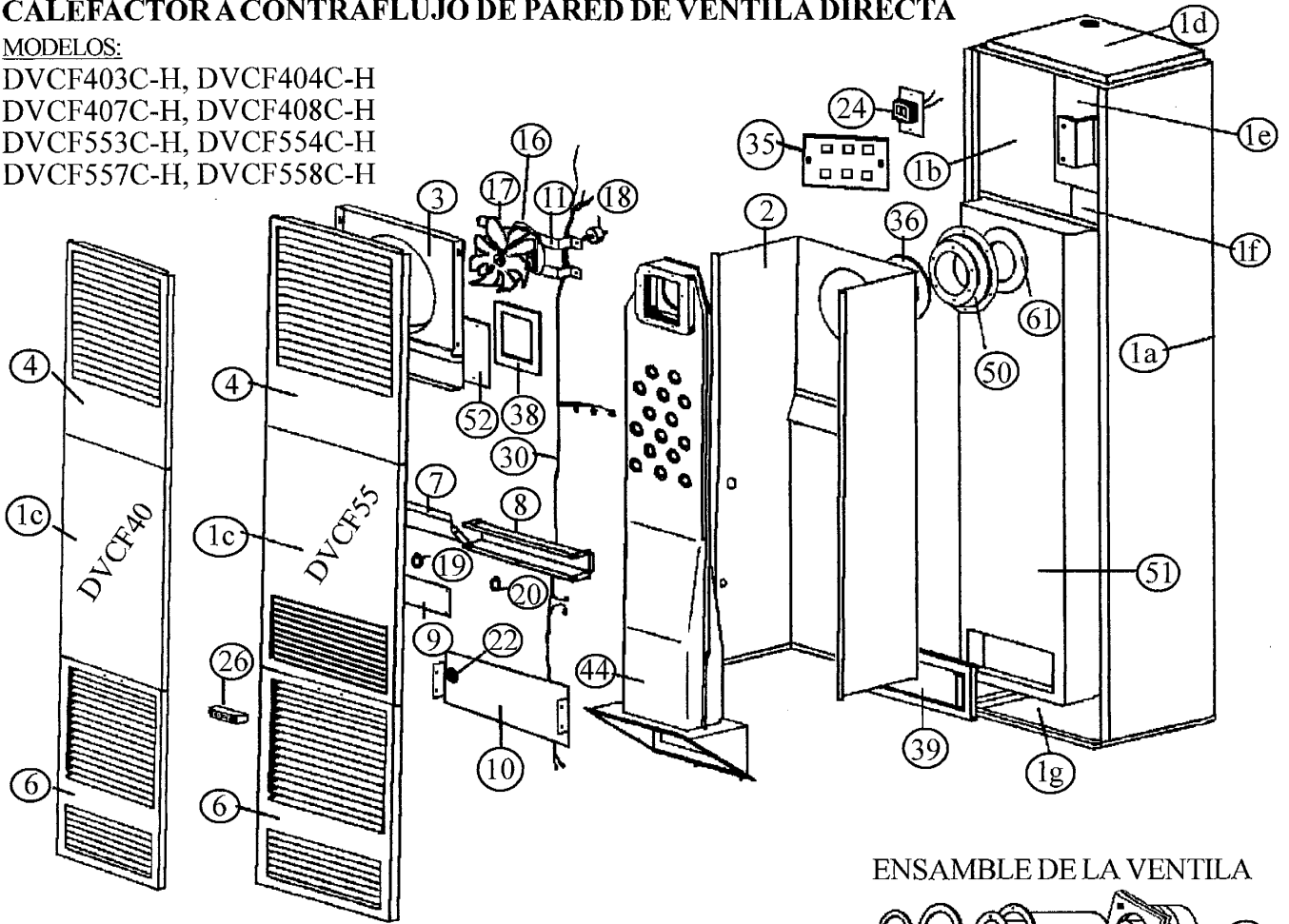


JUEGO NRO. 30SRB-A
REGISTRO LATERAL CON MANGUITO

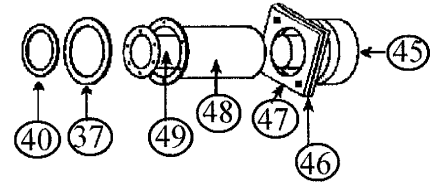
CALEFACTORA CONTRAFLUJO DE PARED DE VENTILA DIRECTA

MODELOS:

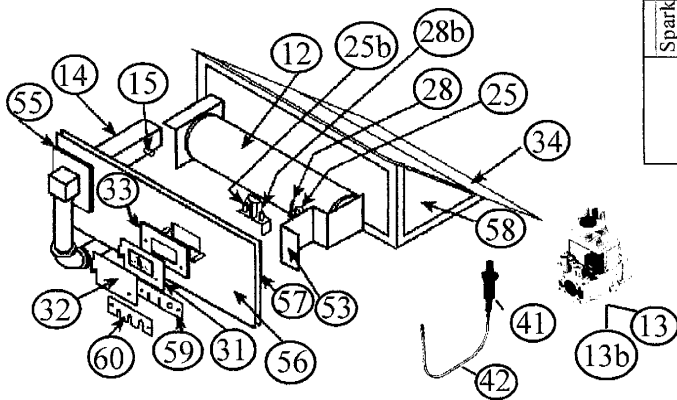
- DVCF403C-H, DVCF404C-H
- DVCF407C-H, DVCF408C-H
- DVCF553C-H, DVCF554C-H
- DVCF557C-H, DVCF558C-H



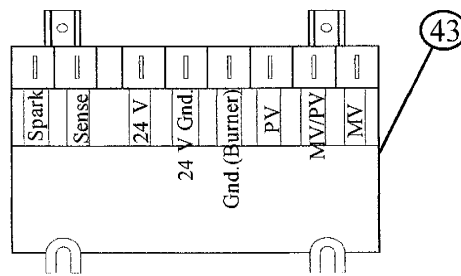
ENSAMBLE DE LA VENTILA



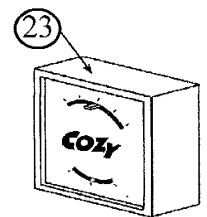
ENSAMBLE DEL QUEMADOR SERIE DVCF40C-H & DVCF55C-H



ENCENDEDOR DE CHISPAS - I.I.D. (Encendido intermitente)



TERMOSTATO



**USE SOLAMENTE REPUESTOS
SUMINISTRADOS POR LA FABRICA.**

Los precios y especificaciones están sujetos a cambio sin notificación. Todos los precios son franco a bordo de la fábrica.

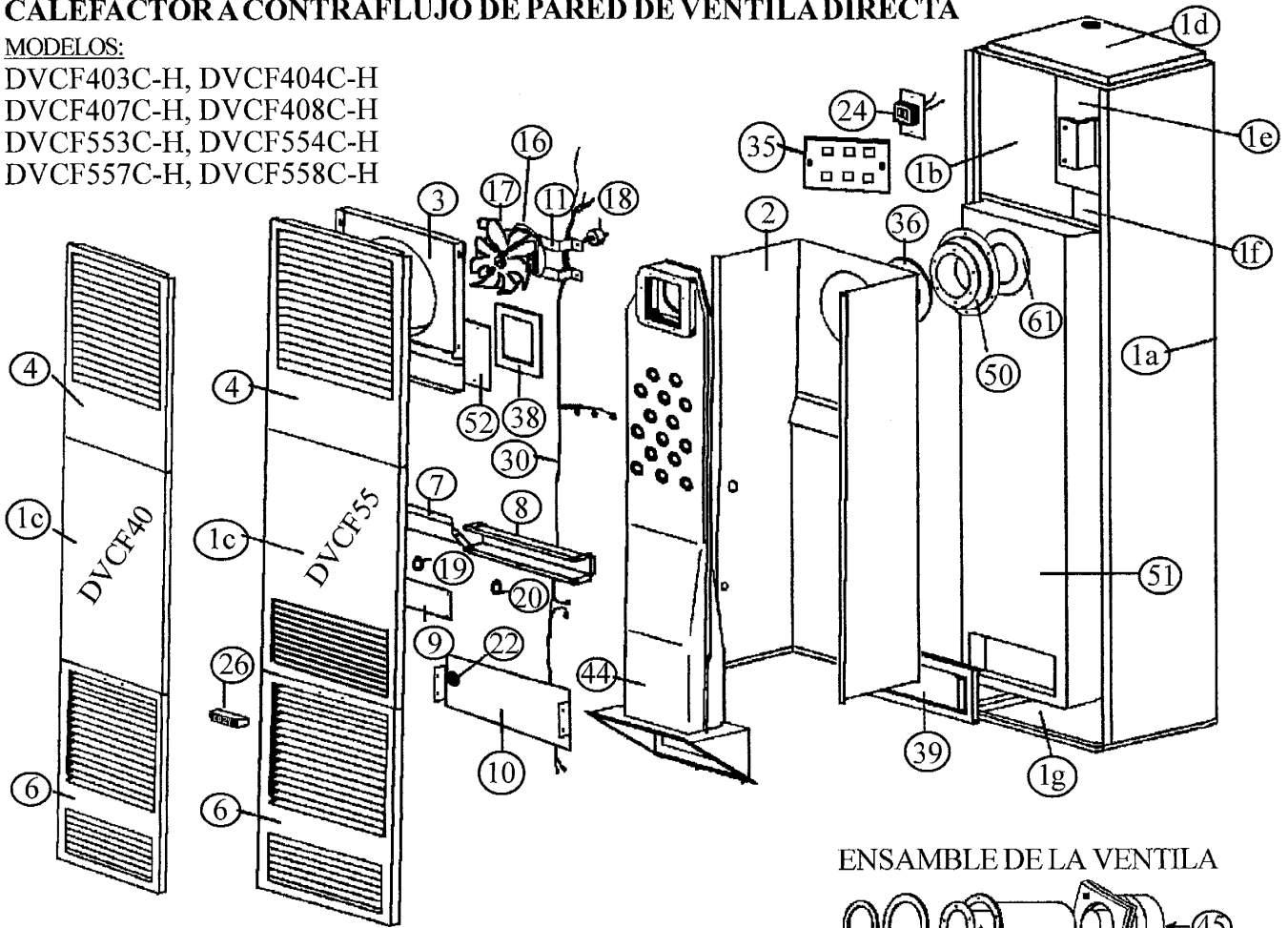
CÓMO PEDIR REFACCIONES CORRECTAMENTE. Además de la descripción de la refacción y el número de parte, sirvase incluir el número del modelo, número de serie y el tipo de gas que utiliza. LOS PRECIOS QUE APARECEN EN LA LISTA ESTAN EN DÓLARES.

NÚMEROS DE MODELO	NAT.	DVCF403C		DVCF407C		DVCF553C		DVCF557C	
	L.P.	DVCF404C		DVCF408C		DVCF554C		DVCF558C	
DESCRIPCIÓN DE LA PARTE	Num. de ref.	Num. de Parte	Lista de Precios	Num. de Parte	Lista de Precios	Num. de Parte	Lista de Precios	Num. de Parte	Lista de Precios
Camisa lateral, derecha	1a	34065		34065		34560		34560	
Camisa lateral, izquierda	1b	34055		34055		34550		34550	
Ensamble del panel del frente del centro	1c	34104		34104		30534		30534	
Ensamble superior	1d	34050		34050		34050		34050	
Ensamble trasero superior	1e	34080		34080		34080		34080	
Ensamble trasero inferior	1f	34090		34090		34575		34575	
Ensamble del fondo	1g	34070		34070		34070		34070	
Soportes de montaje de camisa	N/A	*30260		*30260		*30260		*30260	
Ensamble de la cubierta	2	34115		34115		34600		34600	
Ensamble del aro del abanico	3	34140		34140		34140		34140	
Rejilla superior	4	34100		34100		34590		34590	
Ensamble de la rejilla inferior	6	30100		30100		30100		30100	
Protector delantero superior	7	30250		30250		30250		30250	
Caja de interruptores	8	30252		30252		30252		30252	
Tapa de la caja de interruptores	9	30253		30253		30253		30253	
Protector delantero inferior	10	30256		30256		30256		30256	
Soporte de instalación para el motor	11	*34088		*34088		*34579		*34579	
Quemador	12	72107		72107		72107		72107	
Soporte del piloto	53	34440		34440		34440		34440	
Válvula, VR8200H-1004, Gas Natural	13	78090		N/A		78090		N/A	
Válvula, VR8200H-1103, Gas L.P.	13	78091		N/A		78091		N/A	
Válvula, VR8204H-1006, Gas Natural	13b	N/A		78092		N/A		78092	
Válvula, VR8204H-1006, Gas L.P.	13b	N/A		78093		N/A		78093	
Manguito empotrado 1/2x3/8	N/A	78089		78089		78089		78089	
Distribuidor	14	72103		72103		72103		72103	
Esprea del quemador, Gas Natural	15	72147		72147		72140		72140	
Esprea del quemador, Gas L.P.	15	72149		72149		72141		72141	
Motor del abanico	16	72108		72108		72110		72110	
Aspas del abanico	17	72111		72111		72111		72111	
Arandela aislante	18	**78010		**78010		**78010		**78010	
Interruptor limitador 60T11-L220F	19	N/A		N/A		72160		72160	
Interruptor limitador 60T11-L180F	19	78065		78065		N/A		N/A	
Interruptor del abanico 60T12-F110	20	78064		78064		78064		78064	
Interruptor limitador auxiliar 60T15-L350	22	78086		78086		78086		78086	
Termostato de 24 voltios	23	78355		78355		78355		78355	
Transformador	24	78069		78069		78069		78069	
Placa del transformador	N/A	34089		34089		34089		34089	
Tablilla de terminales	35	78300		78300		78300		78300	
Piloto 0.140.512, Gas Natural	25	72020		N/A		72020		N/A	
Piloto 0.140.502, Gas L.P.	25	72021		N/A		72021		N/A	
Manivela Cozy	26	84003		84003		84003		84003	
Alambre para termostato	27	74518		74518		74518		74518	
Termocople Q309A1954	28	78095		N/A		78095		N/A	
Grapas aislantes	29	74209		74209		74209		74209	
Asamblea experimental electronica, Nat. w/ encendido de la llama,Honeywell	25b & 28b	N/A		78098		N/A		78098	
Asamblea experimental electronica, L.P. w/ encendido de la llama,Honeywell	25b & 28b	N/A		78099		N/A		78099	
Amés de alambrado	30	72251		72251		72250		72250	

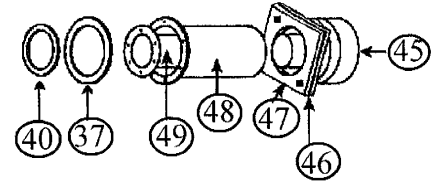
CALEFACTOR A CONTRAFLUJO DE PARED DE VENTILA DIRECTA

MODELOS:

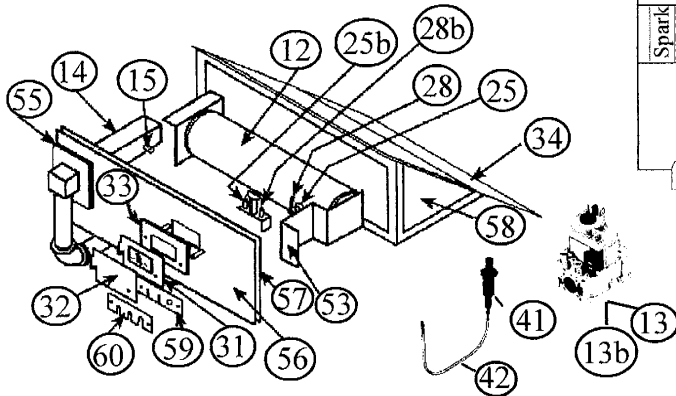
DVCF403C-H, DVCF404C-H
 DVCF407C-H, DVCF408C-H
 DVCF553C-H, DVCF554C-H
 DVCF557C-H, DVCF558C-H



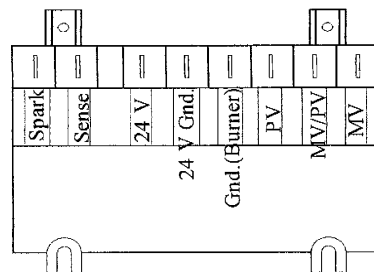
ENSAMBLE DE LA VENTILA



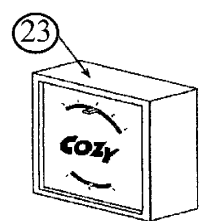
ENSAMBLE DEL QUEMADOR SERIE DVCF40C-H & DVCF55C-H



ENCENDEDOR DE CHISPAS - I.I.D. (Encendido intermitente)



TERMOSTATO



**USE SOLAMENTE REPUESTOS
 SUMINISTRADOS POR LA FABRICA.**

Los precios y especificaciones están sujetos a cambio sin notificación. Todos los precios son franco a bordo de la fábrica.

CÓMO PEDIR REFACCIONES CORRECTAMENTE. Además de la descripción de la refacción y el número de parte, sírvase incluir el número del modelo, número de serie y el tipo de gas que utiliza. LOS PRECIOS QUE APARECEN EN LA LISTA ESTAN EN DÓLARES.

NÚMEROS DE MODELO	NAT.	DVCF403C-H		DVCF407C-H		DVCF553C-H		DVCF557C-H	
	L.P.	DVCF404C-H		DVCF408C-H		DVCF554C-H		DVCF558C-H	
	Núm.	Núm. de	Lista de	Núm. de	Lista de	Núm. de	Lista de	Núm. de	Lista de
DESCRIPCIÓN DE LA PARTE	de ref	Parte	Precios	Parte	Precios	Parte	Precios	Parte	Precios
Cordón eléctrico	N/A	78213		78213		78213		78213	
Vidrio de Observación	31	43252		43252		43252		43252	
Tapa del vidrio	32	43258		43258		43258		43258	
Empaque del vidrio	33	72067		72067		72067		72067	
Empaque de la caja del quemador	34	72059		72059		72059		72059	
Ensamble de la junta deslizante con empaques	50	34220		34220		34220		34220	
Empaque de la junta movediza	N/A	72057		72057		72057		72057	
Empaque de aro de la junta movediza	61	72056		72056		72056		72056	
Empaque de aro de la junta movediza (2 pzs /grafito)	N/A	72058		72058		72058		72058	
Empaque de salida del conducto para humo	36	72055		72055		72055		72055	
Empaque de entrada del tubo de aire	37	72054		72054		72054		72054	
Empaque, puerta de acceso/cámara de comb.	52	34195		34195		34195		34195	
Puerta de acceso para cámara de combustión	38	72053		72053		72053		72053	
Empaque de entrada de caja de quemador	39	72052		72052		72052		72052	
Empaque del tubo de escape	40	72051		72051		72051		72051	
Empaque del distribuidor	55	72068		72068		72068		72068	
Encendedor piezoeléctrico	41	80016		N/A		80016		N/A	
Alambre del encendedor 0.028.508	42	72022		N/A		72022		N/A	
Caja De Control De Ignicion, S8600B	43	N/A		78097		N/A		78097	
Juego de piezas del intercambiador de calor	44	34805		34805		34815		34815	
Ensamble de la tapa de la ventila	45/46	34250		34250		34250		34250	
con la placa del espaciadora									
Juego de piezas del montaje de la tapa de ventilación	47	34330		34330		34330		34330	
Ensamble Tubería de entrada del aire	48	34280		34280		34280		34280	
Ensamble Tubería de escape de la ventila	49	34290		34290		34290		34290	
Codo de servicio de .95 cmx90°	N/A	84501		84501		84501		84501	
Ensamble de caída de aire	51	34201		34201		34630		34630	
Ensamble del fondo de la caja del quemador	58	34400		34400		34400		34400	
Puerta de acceso al quemador	56	34425		34425		34425		34425	
Empaque de acceso al quemador 4x13"	57	72065		72065		72065		72065	
Acoplamiento para piloto de 90°	N/A	N/A		70352		N/A		70352	
Soporte para tubo de piloto	60	34475		34475		34475		34475	
Protector de terminal de la ventila	N/A	34950		34950		34950		34950	
Tubería con acoplamientos para piloto	N/A	78452		78452		78452		78452	
Empaque del tubo del piloto	59	72063		72063		72063		72063	
Instrucciones de iluminación	N/A	91260		91261		91260		91261	

REV. ENERO 2015

*Se requieren 2

ENERO 2015

Teléfono: (502) 589-5380

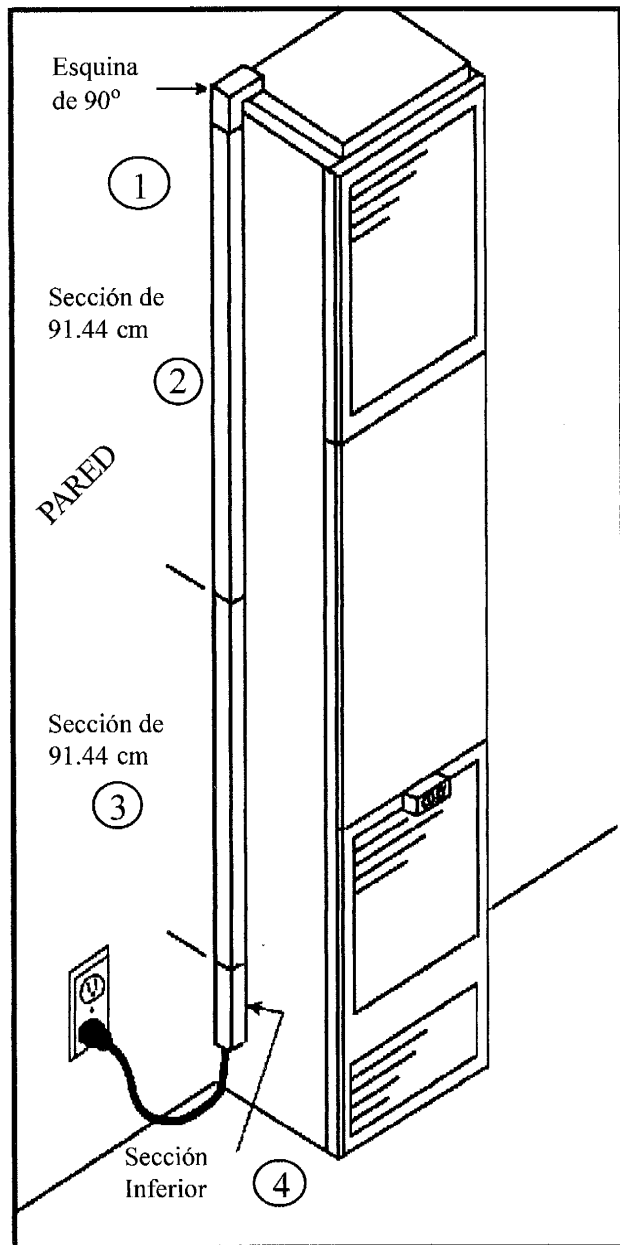
FAX: (502) 589-5382

INSTRUCCIONES PARA JUEGO 14-PEK

(Juego de extensión de enchufe de 35.56 cm)

Este equipo se debe instalar por un instalador o un técnico de servicio calificados.

ÚNICAMENTE PARA INSTALACIONES NO EMPOTRADAS



MODELO	Longitud de la parte inferior (Ref. 4) de la sección de plástico
DVCF40	13.49 cm
DVCF55	35.56 cm

NOTA: Las longitudes anteriores terminan aproximadamente 5.08 cm sobre el piso.

UNIDADES CON TABLILLA DE TERMINALES

- PASO 1.** Apague el calefactor siguiendo las instrucciones de la Sección 3 de "Instrucciones de encendido" y permita que se enfríe el aparato.
- PASO 2.** Interrumpa la corriente eléctrica que va hacia el calefactor.
- PASO 3.** Retire el ensamble de la rejilla superior, el aro de refuerzo y las aspas del abanico.
- PASO 4.** Afloje los dos tornillos del conector Romex.
- PASO 5.** Retire la placa de la caja de empalmes.
- PASO 6.** Desconecte las tres terminales del cordón eléctrico y jale el cordón por la parte superior del calentón.
- PASO 7.** Inserte el cordón eléctrico que se incluye en el juego por medio del conector Romex y conéctelo en la tablilla de terminales siguiendo el diagrama de alambrado que se encuentra en las instrucciones de encendido y operación.
- PASO 8.** Apriete los dos tornillos del conector Romex.
- PASO 9.** Vuelva a colocar en su lugar la placa de la caja de empalmes.
- PASO 10.** Vuelva a colocar en su lugar las aspas del abanico, el aro de refuerzo y el ensamble de la rejilla superior.
- PASO 11.** Presione el esquinero de 90° (Ref. 1) en la sección de plástico de 91.44 cm (Ref. 2). Inserte el cordón eléctrico y retire el protector azul de la tira adhesiva de la sección de plástico. Aplíquela al lado del calefactor.
- PASO 12.** Inserte el cordón eléctrico en la segunda sección de plástico de 91.33 cm (Ref. 3), retire el protector azul y aplíquela al lado del calefactor, haciéndolo que tope contra la parte inferior de la otra sección.
- PASO 13.** Corte la sección inferior de 35.56 cm a la longitud requerida (Ver gráfica), inserte el cordón eléctrico, retire el protector y péguelo al lado del calefactor.
- PASO 14.** Conecte el cordón eléctrico en el receptáculo de la pared.
- PASO 15.** Encienda el calefactor siguiendo las instrucciones de encendido.

LISTA DE PARTES PARA ACCESORIOS CALEFACTOR A CONTRAFLUJO DE PARED

DESCRIPCIÓN DE LA PARTE	NUM.DE REF.	NUMERO DE PARTE	LISTA DE PRECIOS
Registro trasero/lateral	5	31630	
Parilla lateral	6	31525	
Manguito exterior grande	7	31580	
Manguito interior grande	8	31560	
Orilla del manguito	11	31615	
Base de yeso	12	31595	
Manguito sencillo con aislante	13	31510	
Angulo para orilla lateral del gabinete	14	31310	
Orilla superior del gabinete	15	31320	

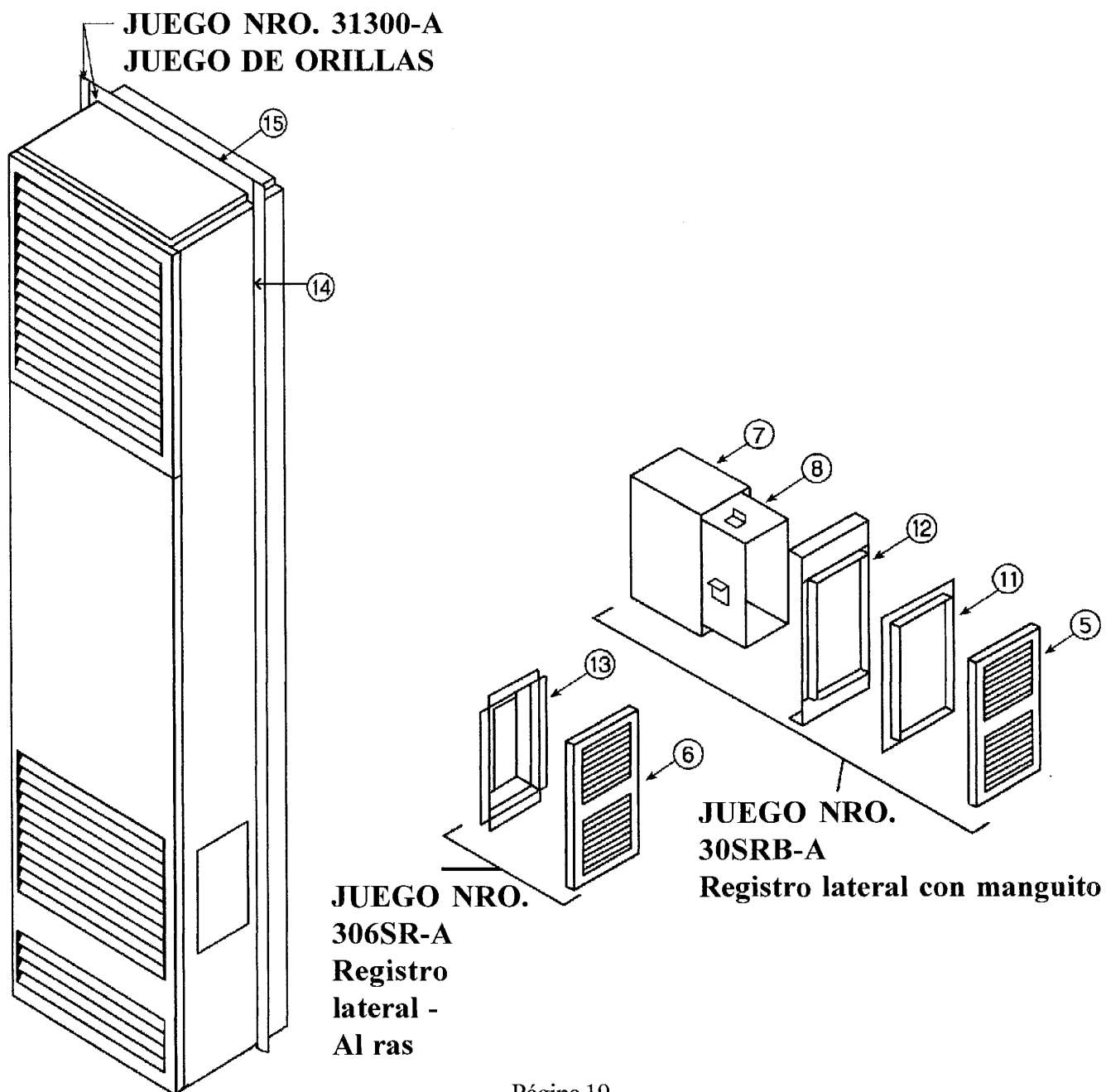


TABLA DE LOCALIZACIÓN DE PROBLEMAS

Para ser usado por un instalador o un técnico de servicio calificados.

SÍNTOMA	CAUSAS POSIBLES	ACCIÓN CORRECTIVA
La llama está muy grande	<ol style="list-style-type: none"> 1. Sección defectuosa de la válvula. 2. Esprea del quemador demasiado grande. 3. Si se instala a elevaciones mayores de 609.61 m. 	<ol style="list-style-type: none"> 1. Cambie la válvula. 2. Consulte a la compañía local de gas para ver el tamaño correcto de la esprea y cámbiela si es necesario. 3. Vea la sección sobre espreas del quemador, página "10".
La llama del quemador es de color amarillo	<ol style="list-style-type: none"> 1. Las lumbreras del quemador están tapadas. 2. Obstrucción alrededor de la tapa de la ventila. 	<ol style="list-style-type: none"> 1. Retire el quemador principal y revise que no haya obstrucciones en la garganta, las lumbreras y las espreas. Limpie pero no agrande las lumbreras o las espreas. 2. Asegúrese de que el área alrededor de la tapa de la ventila esté libre de obstrucciones y asegúrese de que el sistema de ventilación esté sellado.
Hay olor a gas	<ol style="list-style-type: none"> 1. Hay fuga de gas. 	<ol style="list-style-type: none"> 1. Vea la página 1.
Tarda mucho en encender	<ol style="list-style-type: none"> 1. La llama del piloto está muy pequeña. 2. Las lumbreras del quemador están tapadas en el piloto. 3. Presión baja del gas. 4. El piloto disminuye su tamaño cuando los quemadores principales se encienden. 	<ol style="list-style-type: none"> 1. Ajuste la llama del piloto. 2. Limpie las lumbreras del quemador (no las agrande). 3. Revise la presión del gas. 4. La tubería del gas es demasiado pequeña. Consulte a la compañía local de gas o a un instalador competente.
No enciende	<ol style="list-style-type: none"> 1. No hay gas. 2. El indicador de la temperatura o el termosto no están en el ajuste alto de manera que no se enciende. 3. Esprea del quemador está tapada. 4. El termostato está mal conectado o defectuoso. 	<ol style="list-style-type: none"> 1. Abra todas las válvulas manuales del gas. 2. Ajuste el indicador de la temperatura o el termostato a temperaturas más altas. 3. Limpie la esprea del quemador (no lo agrande). 4. Revise el alambrado, conéctelos directamente en las terminales del termostato en la válvula, si la válvula se abre vuelva a revisar los cables, cambie el termostato.
El quemador no se apaga	<ol style="list-style-type: none"> 1. Alambre del termostato o termostato defectuoso o dañado. 2. Ubicación del termostato. 3. Válvula defectuosa o que se está pegando. 4. Presión excesiva de gas. 	<ol style="list-style-type: none"> 1. Se puede revisar retirando el alambre de la terminal de la válvula. Si la válvula se activa, cambie el cable o el termostato. 2. Siga las instrucciones, revise la ubicación, 3. Cambie la válvula. 4. Comuníquese con la compañía de gas.
Entrada incorrecta de gas	<ol style="list-style-type: none"> 1. No se revisó la entrada de gas. 2. Esprea tapada. 	<ol style="list-style-type: none"> 1. Vuelva a revisar la entrada del gas. 2. Limpie la esprea con un palillo de madera lisa. No la agrande.
No hay suficiente calor	<ol style="list-style-type: none"> 1. El calefactor es pequeño para el área. 2. El indicador de la temperatura está en un ajuste bajo. 3. Presión incorrecta del gas. 	<ol style="list-style-type: none"> 1. Esto sucede sobre todo cuando se cambia el área haciéndola más grande. Calcule la pérdida de calor y compárela con el calor que produce el calefactor. La compañía de gas puede proporcionarle esta información. Si el calefactor es pequeño para el área reemplácelo con una unidad de tamaño apropiado para el lugar. 2. Aumente el ajuste de la temperatura. 3. Revise la presión del gas.
Hay demasiado calor	<ol style="list-style-type: none"> 1. El indicador de la temperatura está en un ajuste muy alto. 2. La válvula de control de combinación está atorada y se quedó abierta. 	<ol style="list-style-type: none"> 1. Disminuya el ajuste de la temperatura. 2. Reemplace la válvula de control de combinación.
El piloto y el quemador principal se apagan durante la operación normal	<ol style="list-style-type: none"> 1. Termocople débil. 2. La entrada de gas es demasiada. 3. La tapa que está alrededor del orificio para encender el piloto deja entrar aire. 4. Los tubos de la ventila no están instalados o sellados correctamente. 	<ol style="list-style-type: none"> 1. Revise el millivoltaje y cámbielo si está bajo. 2. Revise la proporción de entrada. 3. Apriete las tuercas para reafirmar la cubierta y el vidrio. Revise y cambie el empaque si es necesario. 4. Siga las instrucciones. Revise los tubos de escape y de entrada del aire al igual que la tapa de la ventila. Asegúrese de que todos los empaques estén en su lugar y estén debidamente sellados. Utilice únicamente los tubos y la tapa de la ventila que vienen con el aparato. No haga nada a los tubos o a la tapa para alterar su forma.

TABLA DE LOCALIZACIÓN DE PROBLEMAS

Para ser usado por un instalador o un técnico de servicio calificados.

SÍNTOMA	CAUSAS POSIBLES	ACCIÓN CORRECTIVA
El quemador no enciende	<ol style="list-style-type: none"> 1. La válvula del gas no está encendida. 2. No hay voltaje en la válvula. 3. El termostato está defectuoso. 4. No hay voltaje en la línea de 115V. 5. La válvula de gas está defectuosa. 6. El interruptor manual de reposición no se activó. 	<ol style="list-style-type: none"> 1. Ponga la válvula de gas en la posición "ON". 2. Revise que tenga 24 voltios en la válvula del transformador. 3. Revise el termostato de la pared. 4. Asegúrese que haya voltaje en la línea. 5. Cambie la válvula del gas. 6. Presione el botón rojo en el interruptor.
(Piloto vertical) El piloto no enciende o no se queda encendido	<ol style="list-style-type: none"> 1. Hay aire en la línea. 2. El termocople está defectuoso. 3. La llama del piloto es demasiado baja. 4. El interruptor manual de reposición no se activó. 	<ol style="list-style-type: none"> 1. Purgue la línea. 2. Cambie el termocople. 3. Ajuste la llama del piloto. 4. Presione el botón rojo en el interruptor.
(Piloto de encendido intermitente) El piloto no enciende	<ol style="list-style-type: none"> 1. El generador de chispas no funciona. 2. El generador de chispas no enciende el piloto. 3. El interruptor manual de reposición no se activó. 	<ol style="list-style-type: none"> 1. Revise las conexiones de alambre, dejando que haga tierra debidamente. 2. <ol style="list-style-type: none"> a. La llama del piloto es demasiado pequeña. b. Ponga la válvula en la posición "ON". c. Revise que no haya restricciones en el piloto. 3. Presione el botón rojo en el interruptor.

REGISTRO DE SERVICIO	

REGISTRO DE SERVICIO	

TABLA DE LOCALIZACIÓN DE PROBLEMAS - I.I.D.

Para ser usado por un instalador o un técnico de servicio calificados.

Código verde de LED (XxY)	Indica	Siguiente Acción del Sistema	Acción de Servicio recomendada
APAGADO	No hay "demanda de calor"	No aplica	Ninguna
Destello Rápido	Puesta en marcha - Calibración de detección de llama	No aplica	Ninguna
Latido del corazón	Funcionamiento normal	No aplica	Ninguna
2	Intervalo de 5 minutos entre reintentos - La llama del piloto no se detectó durante el proceso de encendido	Iniciar un nuevo intento de encendido después de completar el intervalo entre reintentos.	Si el sistema no se enciende en el siguiente intento de encendido, revisar el suministro de gas, quemador piloto, cableado de chispa y llama, contaminación de la varilla de la llama o fuera de posición, fuera de posición, conexión a tierra del quemador.
3	Reciclar Llama falló durante la ejecución	Iniciar un nuevo intento de ignición. El código de destello permanecerá a lo largo del intento de inicio hasta que se pruebe la llama.	Si el sistema no se enciende en el siguiente intento de encendido, revisar el suministro de gas, quemador piloto, cableado de llama, contaminación de la varilla de la llama o fuera de posición, conexión a tierra del quemador.
4	Llama detectada fuera de secuencia	Si la situación se auto corrige dentro de 10 segundos, el control vuelve a la secuencia normal. Si llama fuera de secuencia dura más de 10 segundos, el control va al código de Flash 6+4 (ver abajo).	Chequee la llama del piloto. Reemplace la válvula de gas si está presente la llama del piloto. Si no hay llama piloto, haga ciclar "demanda de calor". Si se repite el error, reemplace el control.
7	Detección de llama fuga a tierra	Control permanece en modo de espera. Cuando se corrige la falla, el control reanuda su funcionamiento normal después de un retraso de un minuto.	Compruebe cable de detección de llama por daños o cortocircuitos. Compruebe que la varilla de llama esté en la posición correcta. Revise la cerámica de la vara de llama por grietas, daños o seguimiento.
8	Suministro bajo de voltaje secundario - (por debajo de 15,5 Vac)	Control permanece en modo de espera. Cuando se corrige la falla, el control reanuda su funcionamiento normal después de un retraso de un minuto.	Revise el transformador y la línea de CA para voltaje de entrada apropiado para el control. Compruebe con la carga completa del sistema en el transformador.
6 + 2	Intervalo de 5 minutos entre reintentos - En cada tercer reintento en la misma "demanda de calor"	Iniciar un nuevo intento de encendido después de completar el intervalo entre reintentos.	Revisar el suministro de gas, quemador piloto, cableado de chispa y llama, contaminación de la varilla de la llama o fuera de posición, conexión a tierra del quemador.
6 + 3	En cada 6° fallo de la llama durante la ejecución en la misma "demanda de calor"	5 minutos entre reintentos, luego iniciar un nuevo intento de encendido.	Revisar el suministro de gas, quemador, piloto, cableado de chispa y llama, contaminación de la varilla de la llama o fuera de posición, conexión a tierra del quemador.
6 + 4	Detección de llama fuera de secuencia - más de 10 segundos	Control espera hasta que no se detecte la llama y luego se va al cierre suave. Código de destello continúa. Control se restablece automáticamente del cierre suave después de una hora.	Revise la llama del piloto. Reemplace la válvula de gas si está presente la llama del piloto. Si no hay llama piloto, haga ciclar la "demanda de calor". Si se repite el error, reemplace el control.
Encendido	Cierre suave debido a un error detectado durante las secuencias de autocomprobación	Control se restablece automáticamente del cierre suave después de una hora.	Si restablece al ciclar la "demanda de calor". Si se repite el error, reemplace el control.

GARANTÍA LIMITADA

Que la compañía Cozy Heating Systems LLC. brinda al usuario original de este producto por el aquí periodo especificado, siempre y cuando tal producto sea instalado, operado, reparado y usado de acuerdo a las instrucciones y especificaciones que vienen con producto. **TAL COMO SE ESPECIFICA EN NUESTRAS INSTRUCCIONES, CUALQUIER CONSIDERACIÓN DE GARANTÍA OPERARÁ SÓLO SI LA INSTALACIÓN LA LLEVA A CABO UN INSTALADOR (CONTRATISTA) CALIFICADO. LA AUTO-INSTALACIÓN SE PROHIBE Y ANULARÁ SU GARANTÍA.**

Si dentro de un período de un año a partir de la fecha de instalación del producto, cualquier parte suministrada por el fabricante presenta daños debidos a fabricación o material, este la reemplazará siempre y cuando esta no haya sido sometida a mal uso, alteración, descuido o accidentes. El plazo de la garantía para el intercambiador de calor y los quemadores se especifica abajo en la tabla A. Cualquier reclamo que no se haga en un término de diez (10) días después de la expiración del período de garantía se considerará nulo por voluntad del usuario.

El fabricante no responderá ni se obligará a cumplir ninguna condición de la presente garantía a menos que, bajo solicitud, el usuario le retorne, a costa propia, el supuesto componente o producto defectuoso para inspección, para permitir que el fabricante determine si la garantía cubre el presunto defecto.

El fabricante no pagará al usuario ningún costo relacionado con el transporte, trabajo u otros gastos en los que se incurra durante la reparación, remoción o reemplazo de ningún producto o componente supuestamente defectuoso. El fabricante tampoco responderá por ningún gasto en que incurra el usuario por causa de reparación de ningún defecto en el producto.

El servicio bajo los términos de la presente garantía es responsabilidad del instalador. En caso de que se requiera servicio bajo esta garantía, el usuario del producto solicitará dicho servicio directamente al instalador. Si el usuario no puede ubicar al instalador, el usuario debe escribir directamente al fabricante, y se brindará una fuente alternativa de servicio.

Debe llenarse y devolverse a la fábrica la tarjeta de registro de seguridad del producto (empacada con la unidad).

ESTA GARANTÍA REEMPLAZA EXPRESAMENTE CUALQUIER OTRA GARANTÍA EXPRESA O IMPLÍCITA (ESCRITA U ORAL). CUALQUIER GARANTÍA IMPLÍCITA DE COMERCIALIZACIÓN O DE ADECUACIÓN PARA UN USO PARTICULAR SE LIMITA EXPRESAMENTE A LA DURACIÓN DE LA GARANTÍA EXPRESA Y ESCRITA DEL FABRICANTE.

BAJO NINGUNA CIRCUNSTANCIA SE RESPONSABILIZARÁ AL FABRICANTE POR NINGÚN DAÑO O GASTO ESPECIAL, INDIRECTO O CONSECUENTE PROVOCADO DIRECTA O INDIRECTAMENTE POR NINGÚN COMPONENTE O DEL USO DEL MISMO. LAS MEDIDAS REMEDIALES AQUÍ ESTABLECIDAS SE CONSTITUYEN COMO MEDIDAS REMEDIALES DISPONIBLES SÓLO PARA EL USUARIO Y REEMPLAZAN A TODA OTRA MEDIDA REMEDIAL.

ALGUNOS ESTADOS NO PERMITEN LÍMITES SOBRE LA DURACIÓN DE UNA GARANTÍA IMPLÍCITA, POR LO CUAL PUEDE QUE LAS LIMITACIONES ANTERIORES NO APLIQUEN A SU CASO.

ESTA GARANTÍA LE BRINDA DERECHOS LEGALES ESPECÍFICOS, Y USTED PUEDE TENER TAMBIÉN OTROS DERECHOS QUE VARÍAN DEPENDIENDO DEL ESTADO.

TABLA A

Producto	Periodo de Garantía	
	Intercambiador de calor/tubos	Quemadores
Horno de piso a gas Cozy	10 años	10 años
Horno de pared a gas Cozy	10 años	10 años
Calefactor a gas Cozy de consola con tobera	10 años	10 años
Calefactor Cozy con tobera directa a gas	10 años	10 años
Horno de contraflujo a gas Cozy	10 años	10 años
Horno Cozy de contraflujo a gas con tobera directa	10 años	10 años
Horno Cozy a gas con tobera directa para casa rodante	10 años	10 años
Horno de alta eficiencia Cozy de pared, a gas y con tobera directa	10 años	10 años
Calefactor Cozy de rodapié con tobera directa operado a gas	10 años	10 años
Calefactor a gas con ventiladores Cozy de tobera directa a través de muro	10 años	10 años
Calefactor Cozy de llama azul sin tobera	N/A	10 años
Calefactor infrarrojo sin toberas Cozy	N/A	N/A

COZY HEATING SYSTEMS LLC

3230 INDUSTRIAL PARKWAY. - JEFFERSONVILLE, IN 47130

GOZY

APPAREIL DE CHAUFFAGE MURAL À CIRCULATION À CONTRE COURANT – VENTILATION DIRECTE



INSTALLATION ET CONSIGNES D'UTILISATION



SYSTÈME 24 V AVEC VEILLEUSE À BTU BAS

NUMÉROS DE MODÈLE		
Gaz Naturel	DVCF403C-H	DVCF553C-H
Propane	DVCF404C-H	DVCF554C-H

INSTALLATEUR: Laissez cette notice avec l'appareil.
CONSUMMATEUR: Conservez cette notice pour consultation ultérieure.

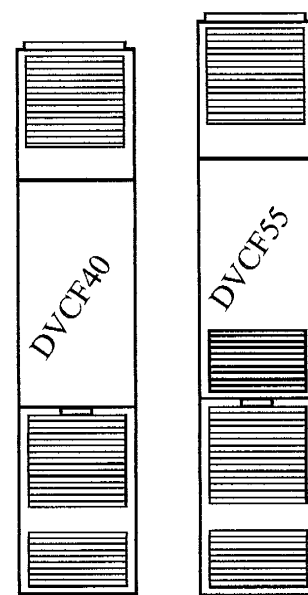
SYSTÈME 24 V AVEC ALLUMAGE INTERMITTENT (ILLD.)

NUMÉROS DE MODÈLE		
Gaz Naturel	DVCF407C-H	DVCF557C-H
Propane	DVCF408C-H	DVCF558C-H

L'enduit sélectionné pour fournir une grande longévité de l'échangeur de chaleur peut émettre une fumée légère à la mise en marche initiale. Dans ce cas, il faut fournir une bonne ventilation.

AVERTISSEMENT. Assurez-vous de bien suivre les instructions données dans cette notice pour réduire au minimum le risque d'incendie ou d'explosion ou pour éviter tout dommage matériel, toute blessure ou la mort.

- Ne pas entreposer ni utiliser d'essence ni d'autres vapeurs ou liquides inflammables à proximité de cet appareil ou de tout autre appareil.
- **QUE FAIRE SI VOUS SENTEZ UNE ODEUR DE GAZ:**
 - Ne pas tenter d'allumer d'appareils.
 - Ne touchez à aucun interrupteur. Ne pas vous servir des téléphones dans le bâtiment où vous vous trouvez.
 - Appelez immédiatement votre fournisseur de gaz depuis un voisin. Suivez les instructions du fournisseur.
 - Si vous ne pouvez rejoindre le fournisseur de gaz, appelez le service des incendies.
- L'installation et l'entretien doivent être assurés par un installateur ou un service d'entretien qualifié ou par le fournisseur de gaz.



MISE EN GARDE: Le fonctionnement de cet appareil de chauffage sans que le système de ventilation et chapeau de ventilation fournis soient correctement installés pourrait avoir comme conséquence l'empoisonnement à l'oxyde de carbone et possiblement la mort. Pour votre sûreté, l'appareil de chauffage et le système de ventilation devraient être inspectés au moins annuellement par un technicien d'entretien qualifié.

Cet appareil est destiné à un usage résidentiel uniquement et n'est pas approuvé aux serres ou aux environnements aux conditions poussiéreuses, humides, corrosives ou explosives. De telles conditions invalideront la garantie et peuvent entraîner un risque pour votre sécurité.

L'installation, la maintenance, l'entretien, le dépannage et la réparation doivent être effectués par une société d'entretien qualifiée. Madame, monsieur, **n'essayez pas** d'appliquer une de ces procédures vous-même, ce peut entraîner des dommages matériels, des blessures, un risque de mort et invalidera votre garantie.

Cette unité n'est pas approuvée pour l'installation en serres, ou les environnements qui impliquent poussiéreux, humides, corrosifs, ou explosifs. De telles conditions infirmeront la garantie et peuvent créer des conditions peu sûres.

TABLE DES MATIÈRES

Introduction.....	2	Comment enlever le brûleur.....	10
Spécification et dimensions.....	2	Flamme appropriée du brûleur.....	10
Règles de sécurité.....	3	Ensemble de décharge latérale (facultatif)....	14
Dégagements.....	4, 5	Câblage de la plaquette de connexions.....	13
Emplacement.....	6	Réenclenchement manuel.....	13
Installation.....	6	Instructions d'entretien.....	13
Fonctionnement.....	7	Tableau de dépannage.....	19,21
Instructions d'allumage.....	8,9	Liste des pièces.....	16
Réglage de la veilleuse.....	10	Dessin des pièces.....	17,18
		Garantie.....	23

INTRODUCTION

Veillez lire ces instructions et consigne d'utilisations en entier avant d'essayer d'installer, ou d'utiliser cet appareil de chauffage mural à circulation à contre courant et à ventilation directe. Si vous ne comprenez pas une partie quelconque de ces instructions, veuillez consulter les autorités locales, d'autres installateurs qualifiés, technicien d'entretien ou le fournisseur de gaz. **FAUTE DE LIRE OU DE COMPRENDRE CES INSTRUCTIONS PEUT AVOIR COMME CONSÉQUENCE UN FONCTIONNEMENT DÉFECTUEUX OU INEXACT, DES DÉGÂTS MATÉRIELS, UNE BLESSURE GRAVE OU LA MORT.**

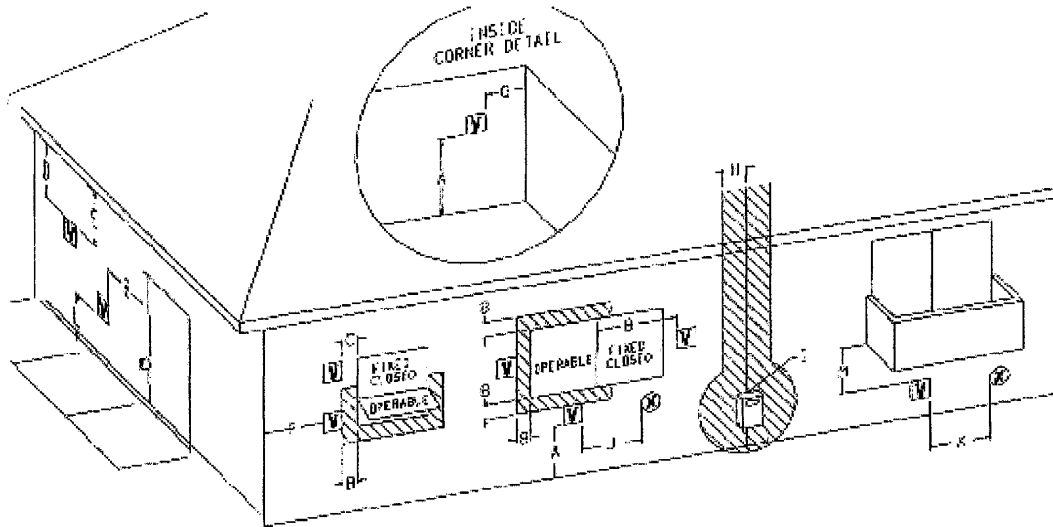
CARACTÉRISTIQUES ET DIMENSIONS

Votre appareil de chauffage à circulation à contre courant et à ventilation directe est emballé et expédié en deux cartons. Un carton contient la fournaise, le fil de thermostat et les crampons isolés. L'autre carton contiendra le tuyau d'aération, le tube d'admission d'air et l'assemblage du chapeau de ventilation. Une fois la fournaise retirée du carton, vérifier la plaque signalétique afin d'assurer que le numéro de modèle est exact et que l'appareil de chauffage mural est équipé pour le type de gaz que vous avez l'intention d'utiliser.

Numéro de Modèle	Type de Réglage	Type de Gaz	Rendement		Vitesse du souffleur	Poids approx. à l'expédition			
			BTU/Heure	Raccord Gaz Dimension Finie		Amps	CFM		
<u>MODELES AVEC VEILLEUSE CONSTANTE À BTU BAS</u>									
DVCF403C-H	24 Volt	Naturel	40,000	1,27 cm	36,35cmLx199,71cmHx29,85P	1	1,95	320	130 Lbs.
DVCF404C-H	24 Volt	Propane	40,000	1,27 cm	36,35cmLx199,71cmHx29,85P	1	1,95	320	130 Lbs.
DVCF553C-H	24 Volt	Naturel	55,500	1,27 cm	36,35cmLx221,77cmHx29,85P	1	3,05	440	144 Lbs.
DVCF554C-H	24 Volt	Propane	55,500	1,27 cm	36,35cmLx221,77cmHx29,85P	1	3,05	440	144 Lbs.
<u>MODELES AVEC ALLUMAGE INTERMITTENT</u>									
DVCF407C-H	24 Volt	Naturel	40,000	1,27 cm	36,35cmLx199,71cmHx29,85P	1	2,2	320	130 Lbs.
DVCF408C-H	24 Volt	Propane	40,000	1,27 cm	36,35cmLx199,71cmHx29,85P	1	2,25	320	130 Lbs.
DVCF557C-H	24 Volt	Naturel	55,000	1,27 cm	36,35cmLx221,77cmHx29,85P	1	3,3	440	144 Lbs.
DVCF558C-H	24 Volt	Propane	55,000	1,27 cm	36,35cmLx221,77cmHx29,85P	1	3,35	440	144 Lbs.

RÈGLES DE SÉCURITÉ

1. Installer l'appareil selon les codes ou règlements locaux, ou en l'absence de tels règlements, selon les codes d'installation CSA-B149.1.
2. Se conformer à tous les codes applicables et ordonnances. S'il en existe aucun, se conformer à la norme ANSI.Z223.1 la plus récente du National Fuel Gas Code. Une copie peut être obtenue de la American Gas Association, 1515 Wilson Blvd., Arlington, VA 22209, ou la National Fire Protection Association, Batterymarch Park, Quincy, MA 02269. Au Canada, utiliser la dernière édition du code d'installation CAN1-B149.
3. Cet appareil, une fois installé, doit être mis à la terre électriquement en conformité avec les codes locaux ou, s'il en existe aucun, en conformité avec le Code national de l'électricité le plus récent, ANSI/NFPA 70. Au Canada, se conformer à la norme CSA C22.2 du Code canadien de l'électricité.
4. Ne pas installer cet appareil dans un véhicule de plaisance, remorque ou maison mobile.
5. Ne pas faire fonctionner cet appareil à moins qu'il soit connecté au système de ventilation fourni avec la bouche d'aération en place.
6. N'utiliser jamais d'allumette, bougie, flamme ou autre source d'allumage pour vérifier les fuites de gaz. Utiliser que de l'eau savonneuse ou du détergent liquide.
7. Avant le nettoyage ou l'entretien, arrêter la gaz et laisser l'appareil de chauffage refroidir.
8. Ne pas faire fonctionner cet appareil sans les grilles et le panneau avant en place.
9. En raison des températures, élevées, l'appareil de chauffage devrait être situé loin du trafic et loin des meubles et des rideaux.
10. Les enfants et les adultes devraient être alertés aux risques de températures élevées de la surface et gardés éloignés pour éviter des brûlures ou la mise à feu de vêtements.
11. Les enfants en bas âge devraient être prudemment supervisés quand ils sont dans la même pièce avec l'appareil de chauffage.
12. Ne pas placer de vêtement ou autre matériel inflammable sur ou près de l'appareil de chauffage.
13. L'installation et la réparation doivent être effectuées par un technicien d'entretien qualifié. L'appareil de chauffage mural devrait être inspecté avant l'utilisation et au moins annuellement par un technicien d'entretien qualifié. Un nettoyage plus fréquent peut être requis s'il y a un excès de peluche provenant de tapis, literie, etc. Il faut absolument que les compartiments de commandes, les brûleurs et les passages d'air de chauffage de la fournaise soit gardés propres.
14. Ne rien placer autour de la fournaise ou du chapeau de ventilation qui obstruera l'écoulement d'air de combustion et de ventilation.
15. Lors de l'installation de l'appareil de chauffage, permettre un dégagement adéquat d'accessibilité pour l'entretien et le fonctionnement approprié. (Voir schéma 1).
16. La chaudière murale devrait être installée à proximité du centre de la zone à chauffer pour une distribution optimale de la chaleur. Si la chaudière est directement installée sur de la moquette, du carrelage ou tout matériau combustible autre que du plancher en bois, installez-la sur un panneau de bois ou de métal fixé au sol, de la largeur et de la profondeur de la chaudière. Si vous devez installer un kit de registre d'air latéral, reportez-vous à la page 14.
17. Ne pas utiliser la fournaise si toute partie a été infiltrée d'eau. Appeler immédiatement un technicien qualifié pour faire l'inspection de l'appareil de chauffage mural ou remplacer toute pièce du système de commande et toute commande de gaz qui a été sous l'eau.
18. Pour votre sûreté, cet appareil de chauffage est équipé d'un interrupteur à réenclenchement manuel. En cas d'échec par le régulateur de température, cet interrupteur fermera entièrement la soupape avant que l'appareil atteigne des températures trop élevées. Après une période de refroidissement, cet interrupteur peut être réenclenché manuellement. Si l'interruption persiste, appeler un réparateur qualifié.
19. Les boîtiers des ensembles de décharge latérale ne doivent pas dépasser 25,40 cm.
20. Déterminer l'emplacement du commutateur auxiliaire de seuil et pousser sur le bouton rouge de réenclenchement afin de rétablir le commutateur au cas où il serait ouvert par accident en cours de transport.



V Borne De Passage
 X Admission D'Air
 ■ Secteur ou la borne n'est pas autorisée

DÉGAGEMENTS DE BORNE DE PASSAGE

LETRE DE REFERENCE AU DESSIN	INSTALLATIONS CANADIENNES ¹	INSTALLATIONS DE ETATS-UNIS ²
A = Le dégagement au-dessus du degré, la véranda, la porche, le pont, ou le balcon	12 Pouces (30 cm)	12 Pouces (30 cm)
B = Le dégagement à la fenêtre ou à la porte qui peut être ouvert	12 Pouces (30 cm)	DVCF40__ 9 Pouces (23 cm) DVCF55__ 12 Pouces (30 cm)
C = Le dégagement à la fenêtre d'une façon permanente fermée	12 Pouces (30 cm)	DVCF40__ 9 Pouces (23 cm) DVCF55__ 12 Pouces (30 cm)
D = Le dégagement vertical à soffit ventilé a localisé au-dessus du terminal dans une distance horizontale de 2 Pieds (61 cm) de la ligne de centre du terminal	18 Pouces (46 cm)	18 Pouces (46 cm)
E = Le dégagement à soffit sans la ventilation	24 Pouces (61 cm)	24 Pouces (61 cm)
F = Le dégagement à hors du coin	12 Pouces (30 cm)	12 Pouces (30 cm)
G = Le dégagement à dans le coin	12 Pouces (30 cm)	12 Pouces (30 cm)
H = Le dégagement à chaque côté de ligne de centre s'est étendu au-dessus du mètre/l'assemblée régulatrice	3 Pieds (91 cm) dans une hauteur 15 Pieds (4.5m) au-dessus de l'assemblée mètre/régulateur	Le dégagement conformément à l'installation locale code et les conditions du fournisseur de gaz
I = Le dégagement pour entretenir la sortie de conduit régulatrice	3 Pieds (91 cm)	Le dégagement conformément à l'installation locale code et les conditions du fournisseur de gaz
J = Le dégagement à l'arrivée de provision d'air de pas mécanique au bâtiment ou l'arrivée d'air de combustion à l'autre appareil	12 Pouces (30 cm)	DVCF40__ 9 Pouces (23 cm) DVCF55__ 12 Pouces (30 cm)
K = Le dégagement à une entrée de provision d'air mécanique	6 Pieds (1.83 m)	3 Pieds (91 cm) au-dessus de si dans 10 Pieds (3 m) horizontalement
L = Le dégagement au-dessus du trottoir pavé ou au-dessus de l'entrée de garage pavée a localisé sur la propriété publique	7 Pieds (2.13m) UN conduit ne terminera pas directement au-dessus d'un trottoir ou au-dessus d'une entrée de garage pavée qui est localisé entre deux demeures de famille seules et sert les deux demeures.	Dégagement conforme aux codes d'installation locaux et aux exigences du fournisseur de gaz.
M = Le dégagement sous la véranda, la porche, le pont, ou le balcon	12 Pouces (30 cm) a permis seulement si la véranda, la porche, le pont, ou le balcon est entièrement l'ouverture sur au moins à deux côtés.	Le dégagement conformément à l'installation locale code et les conditions du fournisseur de gaz.

¹ Conformément à l'actuel CSA-B149.1 Gaz Naturels et le Code d'Installation de Propane

² Conformément à l'ANSI actuel Z223.1/NFPA 54 Code de Gaz de Carburant National

DÉGAGEMENTS

1. Le minimum de dégagement à un mur latéral est de 10,16 cm. (Voir schéma 1). REMARQUE: L'unité peut être encastrée et rester directement contre des poteaux latéraux et la surface intérieure du mur arrière.
2. Le minimum de dégagement au plafond est de 10,16 cm. (Voir schéma 1).
3. Le minimum de dégagement au plancher est de zéro.
4. Le minimum de dégagement du côté du chapeau de ventilation à toutes obstructions saillantes, ou coins est de 30,48 cm. (Voir schéma 2b).
5. Le dégagement minimum de toute fenêtre au côté du chapeau de ventilation est de 22,86 cm pour DVCF403, 404, 407 et 408-C (voir schéma 2) et 30,48 cm pour DVCF553, 554, 557 et 558-C (voir schéma 2b).
6. Le dégagement minimum de toute projection surplombante est de 60,96 cm du dessus du chapeau de ventilation. (Voir schéma 2).
7. **INSTALLATION RÉSIDENIELLE DE GARAGE:** L'équipement d'installation de chauffage au gaz dans les garages résidentiels sera installé de sorte que tous les brûleurs et dispositifs d'allumage de brûleur soient situés à pas moins de 45,72 cm au-dessus du plancher. Un tel équipement sera situé, ou protégé pour qu'il ne soit pas sujet à des dommages par un véhicule en mouvement. Prendre soin de choisir un bon endroit dans le garage. NE PAS situer l'appareil là où de l'air chaud sera dirigé sur un véhicule garé tout près. La peinture peut se décolorer ou le caoutchouc peut durcir et fendre. NE PAS laisser l'air soufflé entrer directement dans des contenants ouverts ou fermés de peinture, d'essence ou d'autres liquides ayant des vapeurs inflammables.

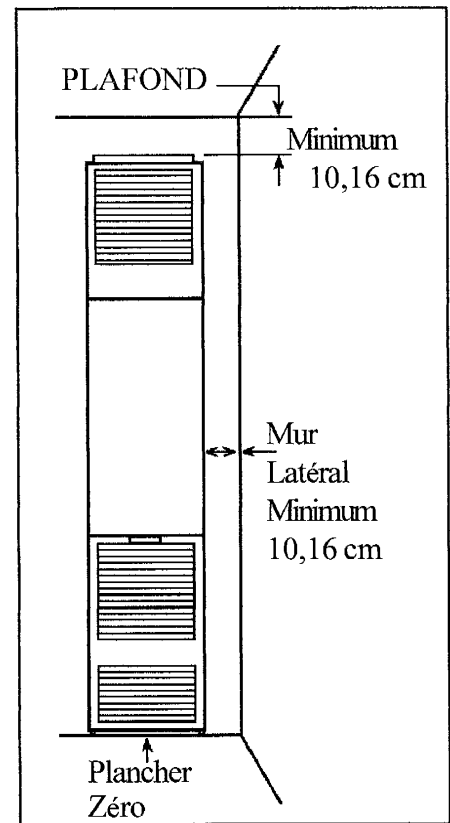


SCHÉMA 1

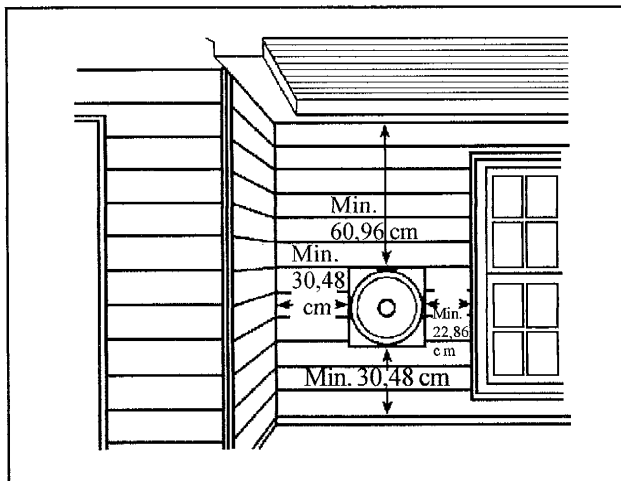


SCHÉMA 2 / DVCF403C, 404C, 407C, ET 408C

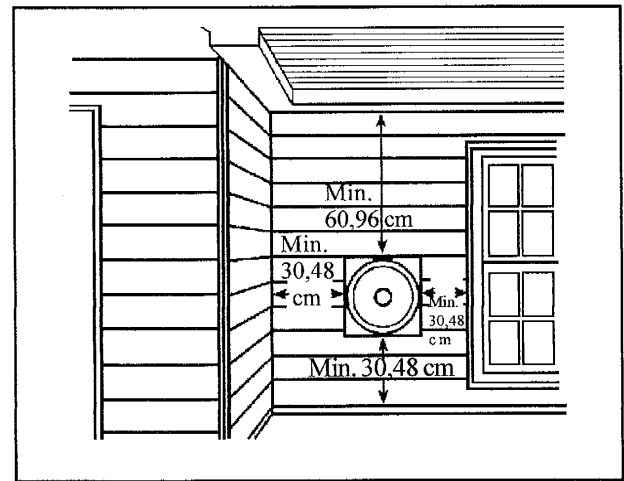
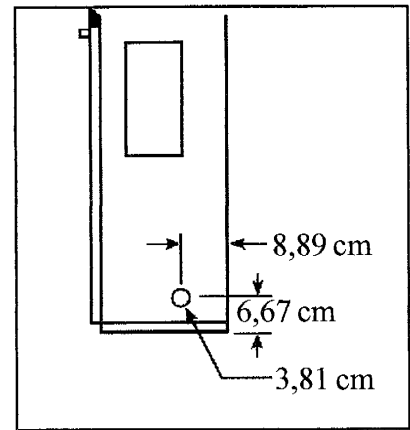


SCHÉMA 2B / DVCF553C, 554C, 557C, ET 558C

EMPLACEMENT

1. Cet appareil de chauffage mural doit être installé sur un mur extérieur et ventilé vers l'extérieur. Si possible, ce mur devrait être sur le côté de la maison qui reçoit le moins de vent puisque les vents de rafale pourraient causer une interruption de la veilleuse.
2. Pour un rendement plus efficace, situer la fournaise aussi centralement que possible dans le secteur à réchauffer.
3. L'appareil peut être aligné contre un mur ou en retrait jusqu'à un maximum de 25,40 cm. Pour une combustion appropriée, s'assurer que l'unité est de niveau de l'avant à l'arrière et de côté à côté.
4. Ne pas installer dans un placard, alcôve, ou petit vestibule où l'appareil pourrait être isolé de l'espace à réchauffer en fermant une porte.
5. S'assurer que le chapeau de ventilation aura les dégagements appropriés.
6. Vérifier à l'intérieur du mur afin de s'assurer qu'il n'y a pas d'obstacles comme des conduites d'eau, câblage électrique, etc. qui pourraient interférer avec l'installation de l'appareil de chauffage ou les tuyaux d'aération.
7. S'assurer de maintenir un dégagement adéquate d'accessibilité pour l'entretien et le fonctionnement approprié.
8. Si la fournaise est installée dans un sous-sol, un dégagement de 30,48 cm doit être maintenu entre le niveau du sol et le bas le chapeau de ventilation. Ne pas installer de fournaise où le chapeau de ventilation se terminera dans l'encadrement de soupirail ou toute autre ouverture au-dessous du niveau du sol.



SCHEMA 3

INSTALLATION

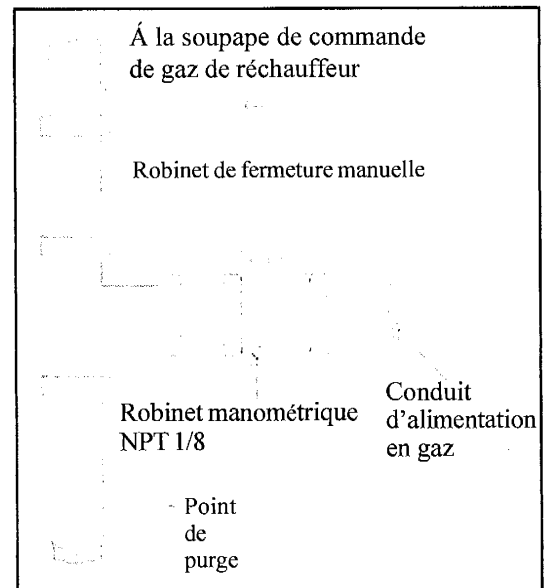
ÉBAUCHE POUR LA POSE ÉLECTRIQUE

Cet appareil est équipé d'un cordon d'alimentation à trois broches qui est situé sur sa partie gauche supérieure. Le câblage 115 V devrait entrer le côté gauche et se terminer dans une boîte de prise (non fournie). Consulter les règlements et codes locaux. (Concernant les ampères, voir la page 2/Spécifications et dimensions).

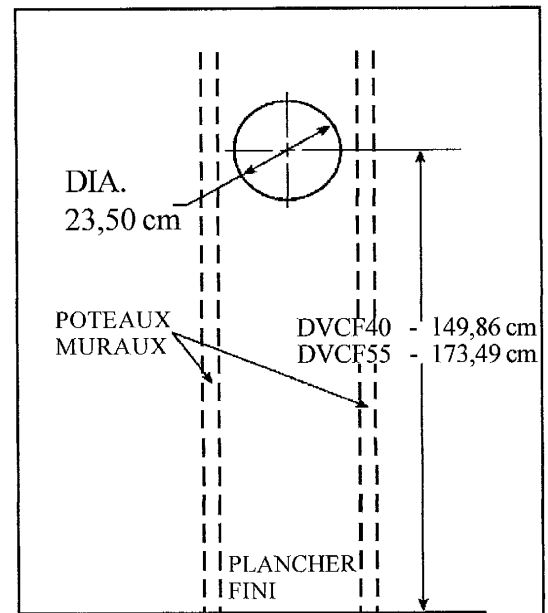
ÉBAUCHE POUR L'ALIMENTATION EN GAZ

Installer un tuyau d'alimentation de gaz naturel de 1,27 cm. Le conduit de gaz peut entrer le cabinet par le côté droit ou par le bas (Voir schéma 3). Le conduit de gaz doit avoir son propre robinet de fermeture manuelle. Installer également un point de purge et fournir une dérivation filetée NPT de 1/8 pouce, accessible pour adaptateur de manomètre d'essai, immédiatement en amont du raccordement d'alimentation de gaz à l'appareil de chauffage. Voir schéma 4.

La fournaise et son propre robinet de fermeture manuelle doivent être déconnectés du système de tuyauterie d'alimentation de gaz pendant toute épreuve sous pression de ce système à des pressions d'épreuve dépassant ½ psig (3,5 kPa). La fournaise doit être isolée du système de tuyauterie d'alimentation de gaz en fermant son robinet de fermeture manuelle pendant toute épreuve de pression du système de tuyauterie de l'alimentation de gaz à des pressions d'épreuve égales ou inférieures à ½ psig (3,5 kPa).



SCHEMA 4



SCHEMA 5

ÉTAPE 1. SITUER L'OUVERTURE DE VENTILATION

Une fois que l'emplacement de l'appareil de chauffage a été déterminé, il faut couper l'ouverture du tuyau de ventilation. Si l'appareil doit être encastré, couper l'ouverture entre les poteaux sur le mur intérieur et couper la plaque de plancher entre les poteaux puisque toutes les dimensions sont indiquées à partir d'un plancher fini. La hauteur de l'ouverture pour un modèle de 40 000 BTU est de 199,71 cm, pour les modèles de 55 000 BTU la hauteur de l'ouverture est de 221,77 cm. REMARQUE: Cette dimension peut être augmentée pour permettre plus d'espace pour l'installation et pour effectuer la connexion des câblages, et finir par la suite.

Couper ensuite une ouverture de 23,50 cm dans le mur extérieur pour laisser passer les tuyaux de ventilation. Le centre de l'ouverture pour l'appareil de chauffage de 40 000 BTU est 149,86 cm, le centre de l'ouverture pour les modèles de 55 000 BTU est 173,99 cm. Voir le schéma 5 à la page 6.

Si l'appareil doit être monté en surface, couper une ouverture de 23,50 cm à travers l'intérieur et l'extérieur du mur. Le centre de l'ouverture sera de 149,86 cm pour le modèle de 40 000 BTU et 173,99 cm pour les modèles de 55 000 BTU, s'assurer que les deux entailles sont de niveau l'une avec l'autre.

INSTALLATION DE L'APPAREIL DE CHAUFFAGE

Le système de ventilation fourni avec cet appareil s'adaptera à des murs de 1,91 cm (une fois encastré) à 30,48 cm d'épaisseur. N'utiliser que le tube d'échappement, le tube d'admission d'air et la bouche d'aération fournis avec l'appareil. Ne pas essayer d'allonger les tubes d'échappement ou d'admission d'air, ce qui pourrait causer un déséquilibre dans la fournaise résultant en un faible rendement et une interruption de la veilleuse (voir schéma 6).

Mesurer la distance exacte «X» entre la surface sur laquelle l'arrière du cabinet reposera (à l'intérieur de la cavité encastrée ou face au mur si autoportant) et la surface extérieure du mur (voir schéma 6).

Tube d'admission d'air «A» - Mesurant à partir de la garniture de la surface, marquer et couper le tuyau de la même dimension que «X». Enlever toutes ébarbures.

Tuyau d'échappement d'air de ventilation «B» - Mesurant à partir de la garniture de la surface, marquer et couper le tuyau 4,45 cm plus grand que la dimension «X». Enlever toutes ébarbures.

Attacher le tuyau d'échappement d'air de ventilation «B» au col de l'échangeur de chaleur et au tube d'admission d'air «A» au rebord de l'arrière de l'appareil utilisant 16 vis n° 8x3/8 («C») fournis. S'assurer que les joints d'étanchéité sont en place et ne sont pas endommagés. Chaque fois que les tuyaux de ventilation sont enlevés, vérifier et remplacer les joints d'étanchéité (si nécessaire). Le fait de ne pas remplacer les garnitures endommagées ou manquantes peut exposer le propriétaire à des conditions pouvant causer un danger de mort.

Fixer l'appareil de chauffage en place en utilisant les 2 trous fournis au bas du caisson. REMARQUE: S'assurer que les deux tubes sont centrés dans l'entaille. Glisser la bouche de ventilation sur les tuyaux sortant à l'arrière de l'appareil. Un mouvement de torsion facilitera cette installation. Fixer le chapeau de ventilation et la plaque-entretoise au mur avec inclinaison vers le bas aux tubes de ventilation pour empêcher l'eau de pénétrer. Des fixations (non fournies) peuvent être requises. Calfeutrer autour de la plaque-entretoise avec le mastic fourni. REMARQUE: Une charpente peut être requise pour fournir une surface plate sur laquelle la plaque-entretoise puisse buter et ne pas laisser entrer la pluie dans l'ouverture du mur.

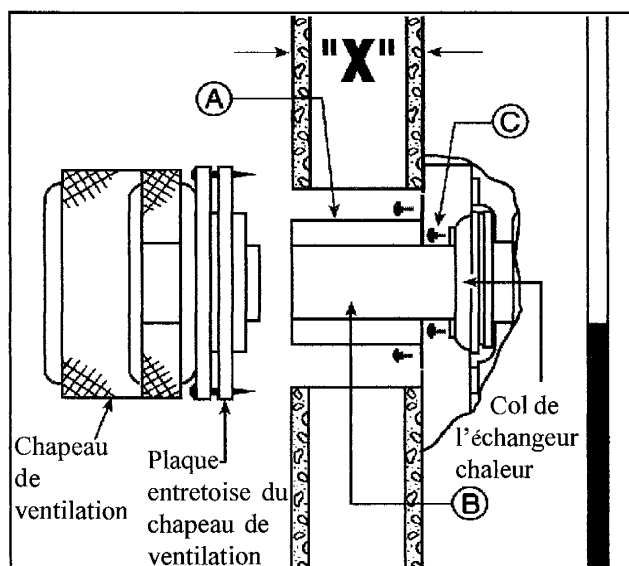


SCHÉMA 6

RACCORDEMENT DE GAZ

Faire le raccordement de gaz entre le robinet de fermeture manuelle et la soupape régulatrice de gaz de l'appareil de chauffage en utilisant un adaptateur approuvé de 1,27 cm. Les composés utilisés sur les joints filetés de la tuyauterie de gaz devront être approuvés pour utilisation avec le propane. Les conduites de gaz doivent être vérifiées pour des fuites par l'installateur à l'aide d'eau savonneuse ou de détergent liquide, et jamais avec une flamme nue. Si les raccordements ne sont pas exposés, un test de pression doit être exécuté. S'assurer de déconnecter l'amenée en gaz du robinet de l'appareil avant le test de pression. La pression du collecteur est pré-réglée à l'usine et devrait être 0,87 kPa pour le gaz naturel et 2,49 kPa pour le propane. La pression d'admission minimum pour le gaz naturel est 1,12 kPa et 2,74 kPa pour le propane «dans le but d'ajustement de la puissance d'entrée». La pression d'admission maximum ne devrait jamais dépasser 1,74 kPa pour le gaz naturel ou 3,49 kPa pour le propane.

INSTALLATION DU THERMOSTAT

Suivre les instructions incluses avec le thermostat. Choisir un endroit pour le thermostat à environ cinq pieds au-dessus du plancher sur un mur intérieur là où il ne sera pas affecté par la chaleur ou les sources froides comme la lumière du soleil directe, les téléviseurs, les foyers à feu ouvert, les tuyaux cachés d'eau chaude ou froide, les courants d'air, etc., et à un minimum de 121,92 cm de l'appareil de chauffage. Le thermostat ne doit pas être placé dans une pièce adjacente. Raccorder le fil à l'appareil de chauffage et faire les raccords aux fils du thermostat sortant du haut de l'appareil de chauffage. Utiliser les crampons isolés (fournis) pour fixer le fil au mur.

FONCTIONNEMENT

Ce chauffage est équipé d'une commande pour ouvrir lentement le gaz. Sur une demande de chaleur, la valve ne s'ouvre pas avec un bruit sec à la pression complète de la rampe à gaz, mais s'ouvre plutôt graduellement à la pression normale de la rampe à gaz. L'écart du temps entre l'allumage du chauffage et le fonctionnement normal de la pression est de deux à cinq secondes. L'ouverture lente assure un allumage en sécurité et moins bruyant.

Après que l'échangeur de chaleur a suffisamment chauffé, le ventilateur commencera à transférer efficacement la chaleur dans la pièce.

INSTRUCTIONS D'ALLUMAGE: DVCF403C-H, DVCF404C-H, DVCF553C-H, DVCF554C-H VEILLEUSE CONSTANTE

PAR SOUCI DE SÉCURITÉ, LIRE AVANT D'ALLUMER

MISE EN GARDE: SI VOUS NE SUIVEZ PAS CES INSTRUCTIONS À LA LETTRE, UN INCENDIE OU UNE EXPLOSION PEUT EN RÉSULTER CAUSANT DES DÉGÂTS, DES BLESSURES OU LA MORT.

- A. Cet appareil est équipé d'une veilleuse qui doit être allumée manuellement. Suivre scrupuleusement les consignes lors de l'allumage de la veilleuse.
- B. AVANT D'ALLUMER, sentir l'air autour de l'appareil afin de détecter toute odeur de gaz. Ne pas oublier de sentir près du sol ; en effet, certains types de gaz sont plus lourds que l'air et iront se reposer près du sol.

QUE FAIRE EN CAS DE DÉTECTION DE GAZ :

- Ne pas essayer d'allumer un appareil.
- Ne pas toucher d'interrupteur, ne pas utiliser de téléphone dans le bâtiment où le gaz a été détecté.
- Appeler immédiatement le fournisseur de gaz à partir d'un téléphone situé chez un voisin. Suivre les directives du fournisseur de gaz.

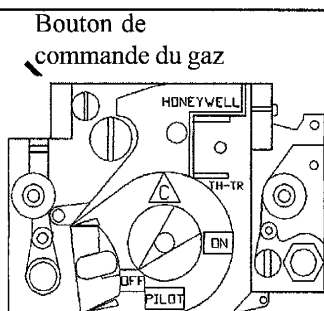
Si le fournisseur de gaz n'est pas disponible, appeler les pompiers.

- C. N'enfoncer et tourner le bouton de commande de gaz qu'à la main. Ne jamais utiliser d'outil. Si le bouton ne s'enfonce pas ou ne tourne pas lorsque manœuvré manuellement, ne pas essayer de le réparer mais prendre contact avec un réparateur qualifié. Forcer le bouton ou essayer de le réparer peut provoquer un incendie ou une explosion.
- D. Ne pas se servir de cet appareil s'il a été plongé dans l'eau, complètement ou en partie. Faire inspecter l'appareil par un technicien qualifié et remplacer toute partie du système de contrôle et toute commande qui ont été plongées dans l'eau.

PN 91211 02/05

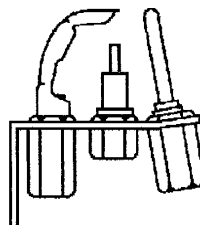
INSTRUCTIONS POUR L'ALLUMAGE

- ARRÊTER! Lire les renseignements de cette étiquette de sécurité.
- Régler le thermostat au point le plus bas.
- Couper l'alimentation électrique de l'appareil.
- Retirer le panneau avant inférieur.
- Enfoncer légèrement le levier de commande de gaz et le déplacer vers la droite ↗ à la position « OFF ».



Bouton de commande de la veilleuse

REMARQUE: Il n'est pas possible de déplacer le bouton de «PILOT» (VEILLEUSE) à «OFF» sans d'abord légèrement appuyer sur le bouton. Ne pas forcer.



- Attendre cinq (5) minutes afin que tout gaz soit éliminé. Sentir ensuite l'air pour détecter du gaz, y compris l'air près du sol. Si une odeur de gaz est détectée, ARRÊTER ! Suivre les consignes du point « B » de l'étiquette de sécurité. Si une odeur de gaz n'est pas détectée, passer à l'étape suivante.
- Ouvrir le couvercle du voyant.
- Repérer le bouton-allumeur piézoélectrique rouge sur le côté de la commande de gaz. Repérer la veilleuse derrière le voyant. (Suivre le tube pilote en métal à partir de la commande de gaz).

- Déplacer le levier de commande de gaz vers la gauche ↖ à la position « PILOT ».
- Appuyer sur le bouton de commande de la veilleuse et le maintenir pressé. Commencer immédiatement à appuyer sur le bouton-allumeur piézoélectrique rouge et à le relâcher en observant la veilleuse au travers du voyant.. Continuer ainsi jusqu'à ce que la veilleuse s'allume. Continuer à appuyer sur le bouton de commande de la veilleuse pendant environ une (1) minute après l'allumage de la veilleuse. Relâcher le bouton de commande de la veilleuse pour que le bouton remonte. La veilleuse devrait rester allumée. Si la veilleuse s'éteint, répéter les étapes de 4 à 9.
- Si le bouton ne remonte pas lorsque relâché, ARRÊTER et appeler immédiatement un technicien ou le fournisseur de gaz.
- Si la veilleuse ne reste pas allumée après plusieurs essais, déplacer le levier de commande de gaz à la position d'arrêt « OFF » et appeler un technicien ou le fournisseur de gaz.
- Fermer le couvercle du voyant.
- Déplacer le levier de commande vers la gauche ↖ à la position « ON ».
- Remettre en place le panneau avant inférieur.
- Remettre l'appareil sous tension.
- Régler le thermostat à la température désirée.

PN 91211 02/05

COMMENT COUPER LE GAZ ALIMENTANT L'APPAREIL

- Régler le thermostat au point le plus bas.
- Couper l'alimentation électrique de l'appareil avant tout travail de service.
- Retirer le panneau avant inférieur.
- Enfoncer légèrement le levier de commande de gaz et le déplacer vers la droite ↗ à la position « OFF ». Ne pas forcer.
- Remettre en place le panneau avant inférieur.

PN 91211 02/05

INSTRUCTIONS D'ALLUMAGE: DVCF407C-H, DVCF408C-H, DVCF557C-H, DVCF558C-H

PAR SOUCI DE SÉCURITÉ, LIRE AVANT D'ALLUMER

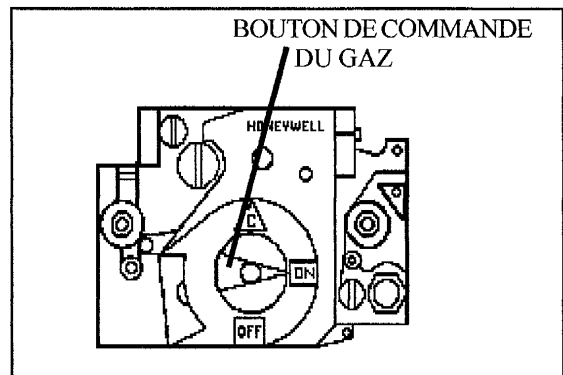
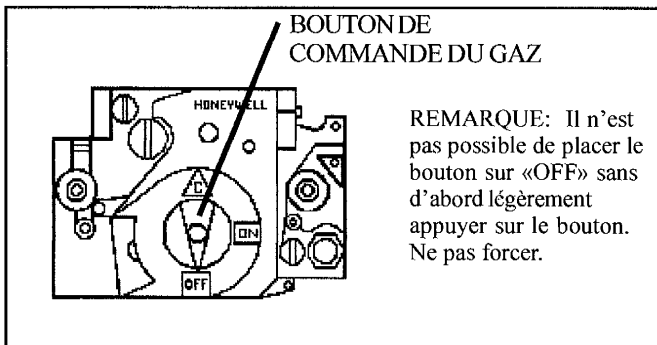
MISE EN GARDE: SI VOUS NE SUIVEZ PAS CES INSTRUCTIONS À LA LETTRE, UN INCENDIE OU UNE EXPLOSION PEUT EN RÉsulTER, CAUSANT DES DÉGÂTS, DES BLESSURES OU LA MORT.

- A. Cet appareil est muni d'un dispositif d'allumage qui allume automatiquement la veilleuse. Ne pas tenter d'allumer la veilleuse manuellement.
- B. AVANT LA MISE EN MARCHÉ, sentir l'air autour de l'appareil afin de détecter toute odeur de gaz. Ne pas oublier de sentir près du sol ; en effet, certains types de gaz sont plus lourds que l'air et iront se reposer près du sol.
- QUE FAIRE EN CAS DE DÉTECTION DE GAZ :**
- Ne pas essayer d'allumer un appareil.
 - Ne pas toucher d'interrupteur, ne pas utiliser de téléphone dans le bâtiment où le gaz a été détecté.
 - Appeler immédiatement le fournisseur de gaz à partir d'un téléphone situé chez un voisin. Suivre les directives du fournisseur de gaz.
- Si le fournisseur de gaz n'est pas disponible, appeler les pompiers.
- C. N'enfoncer et tourner le bouton de commande de gaz qu'à la main. Ne jamais utiliser d'outil. Si le bouton ne s'enfonce pas ou ne tourne pas lorsque manœuvré manuellement, ne pas essayer de le réparer mais prendre contact avec un réparateur qualifié. Forcer le bouton ou essayer de le réparer peut provoquer un incendie ou une explosion.
- D. Ne pas se servir de cet appareil s'il a été plongé dans l'eau, complètement ou en partie. Faire inspecter l'appareil par un technicien qualifié et remplacer toute partie du système de contrôle et toute commande qui ont été plongées dans l'eau.

PN 91214 02/05

INSTRUCTIONS L'ALLUMAGE

1. ARRÊTER! Lire les renseignements de cette étiquette de sécurité.
2. Régler le thermostat au point le plus bas.
3. Couper l'alimentation électrique de l'appareil.
4. Cet appareil est muni d'un dispositif d'allumage qui allume automatiquement la veilleuse. Ne pas tenter d'allumer la veilleuse manuellement.
5. Retirer le panneau avant inférieur.
6. Enfoncer légèrement le levier de commande de gaz et le déplacer vers la droite ↷ à la position « OFF ».



7. Attendre cinq (5) minutes afin que tout gaz soit éliminé. Sentir ensuite l'air pour détecter du gaz, y compris l'air près du sol. Si une odeur de gaz est détectée, ARRÊTER ! Suivre les consignes du point « B » de l'étiquette de sécurité. Si une odeur de gaz n'est pas détectée, passer à l'étape suivante.
8. Déplacer le levier de commande vers la gauche ↶ à la position « ON ».

9. Remettre en place le panneau avant inférieur.
10. Remettre l'appareil sous tension.
11. Régler le thermostat à la température désirée.
12. Si l'appareil ne fonctionne pas, suivre les directives de la section intitulée COMMENT COUPER LE GAZ ALIMENTANT L'APPAREIL et appeler un technicien de service ou le fournisseur de gaz.

PN 91214 02/05

COMMENT COUPER LE GAZ ALIMENTANT L'APPAREIL

1. Régler le thermostat au point le plus bas.
2. Couper toute l'alimentation électrique de l'appareil avant tout travail de service.
3. Retirer le panneau avant inférieur.
4. Enfoncer légèrement le levier de commande de gaz et le déplacer vers la droite ↷ à la position « OFF ». Ne pas forcer.
5. Remettre en place le panneau avant inférieur.

PN 91214 02/05

RÉGLAGE DE LA VEILLEUSE

Repérer la vis de réglage de la veilleuse sur la soupape. La flamme de la veilleuse devrait au moins entourer 0,95 cm du haut du capteur de flamme. Voir schéma 7. La veilleuse fonctionnera à une pression de canalisation de 1,74 kPa pour le gaz naturel et 2,74kPa pour le propane. Pour diminuer la flamme de veilleuse, tourner la vis dans le sens des aiguilles d'une montre (environ six tours) jusqu'à une production suffisante de flamme à un bruit minimal.

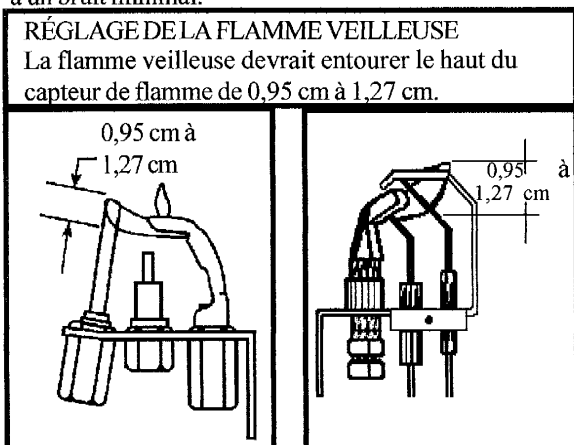


SCHÉMA 7A
Veilleuse Constante

SCHÉMA 7B
Veilleuse I.I.D.

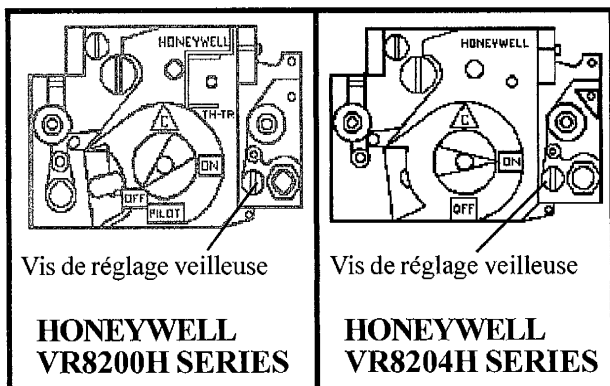


SCHÉMA 7C
VEILLEUSE
CONSTANTE

SCHÉMA 7D
VEILLEUSE I.I.D.

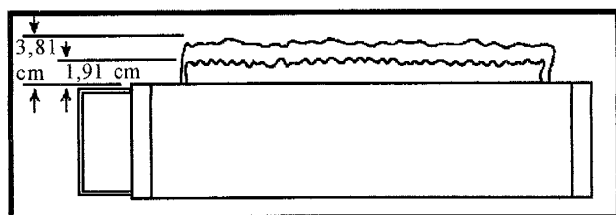


SCHÉMA 8

COMMENT ENLEVER LE BRÛLEUR PRINCIPAL POUR INSPECTION ET NETTOYAGE

- Étape 1. Régler le thermostat au point le plus bas et laisser l'appareil de chauffage refroidir.
- Étape 2. Fermer toute l'alimentation électrique à l'appareil.
- Étape 3. Retirer la grille inférieure.
- Étape 4. Déconnecter l'alimentation en gaz à la soupape.
- Étape 5. Déconnecter les fils de la soupape à gaz.
- Étape 6. Enlever les 15 vis retenant la porte du brûleur à la boîte du brûleur. Retirer complètement le brûleur et l'assemblage soupape.
- Étape 7. Après l'inspection et le nettoyage, remettre l'assemblage brûleur dans la boîte du brûleur et resserrer les 15 vis. REMARQUE: S'assurer que le joint d'étanchéité de la porte n'est pas endommagé et fournit une bonne étanchéité autrement il y aura interruption de la veilleuse.
- Étape 8. Reconnecter les fils à la soupape.
- Étape 9. Reconnecter l'alimentation en gaz à la soupape.
- Étape 10. Remettre l'alimentation électrique à l'appareil.
- Étape 11. Suivre les instructions d'allumage et remettre la grille inférieure en place.

On recommande que la fournaise et tous ses composants soient inspectés au moins annuellement par un technicien d'entretien qualifié. Ceci devrait inclure le brûleur, la veilleuse, l'échangeur de chaleur et le système de ventilation. S'assurer que l'écoulement de l'air de ventilation et de combustion n'est pas obstrué.

IMPORTANT: Maintenir propres le brûleur et le compartiment de commande. Passer l'aspirateur dans le compartiment de commande au début de la saison de chauffage et aussi souvent que requis.

FLAMME APPROPRIÉE DU BRÛLEUR

On peut observer la flamme du brûleur en soulevant la plaque-couvercle du voyant. Une flamme appropriée aura un manteau interne bleu foncé juste au-dessus du brûleur avec une flamme externe bleue pale s'élevant juste au-dessus du brûleur. Voir schéma 8. Il peut y avoir un reflet de jaune là où la flamme de la veilleuse et la flamme du brûleur se rencontrent. Il n'existe aucun réglage d'air primaire sur le brûleur et une flamme appropriée est assurée puisque la pression d'admission exacte et l'orifice d'admission ont été déterminés à l'usine. REMARQUE: On recommande de vérifier la flamme du brûleur au moins deux fois durant la saison de chauffage pour tout changement dans les caractéristiques de la flamme du brûleur. Gardez à l'écart les matières combustibles, l'essence et autres liquides inflammables à vapeur inflammable. L'orifice du brûleur de cet appareil a été déterminé en usine pour des altitudes jusqu'à 609,61 m. Pour les appareils de chauffage installés au-dessus de 609,61 m d'altitude, le rendement B.T.U. doit être réduit de 4% par 304,80 m. Pour la taille d'orifice appropriée, repérer le numéro de modèle et l'altitude sur le tableau d'orifice. Remplacer l'orifice du brûleur. Le changement d'orifice doit être effectué par un installateur ou un technicien d'entretien qualifié.

GAZ NATUREL - ALTITUDE PARTICULIERE

No. de	0 à	609,61 à	1219,21 à	1828,82 à	2438,43 à
Modèle	609,61m	1219,21m	1828,82m	2438,43m	3048,04m
DVCF403C	32	34	35	36	40
DVCF407C	32	34	35	36	40
DVCF553C	3,6mm	29	30	30	31
DVCF557C	3,6mm	29	30	30	31

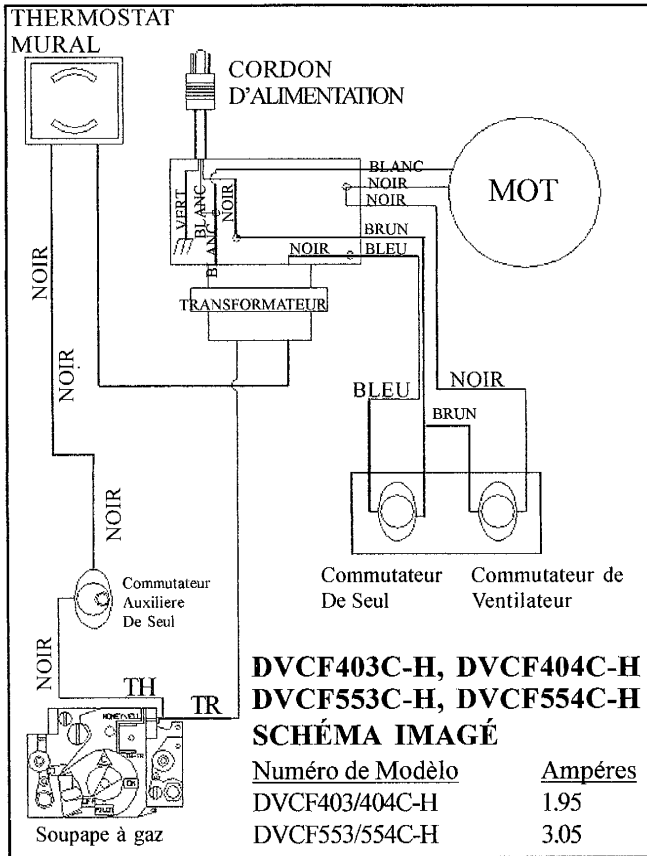
LOT DE COMMANDE NO 49840 2287-1 LOT HAUTE ALTITUDE

PROPANE - ALTITUDE PARTICULIERE

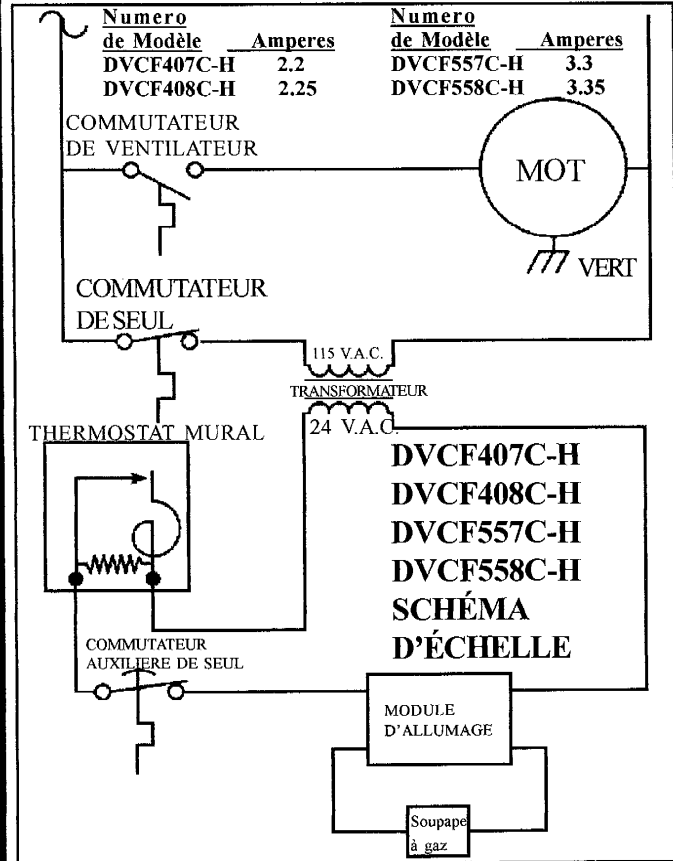
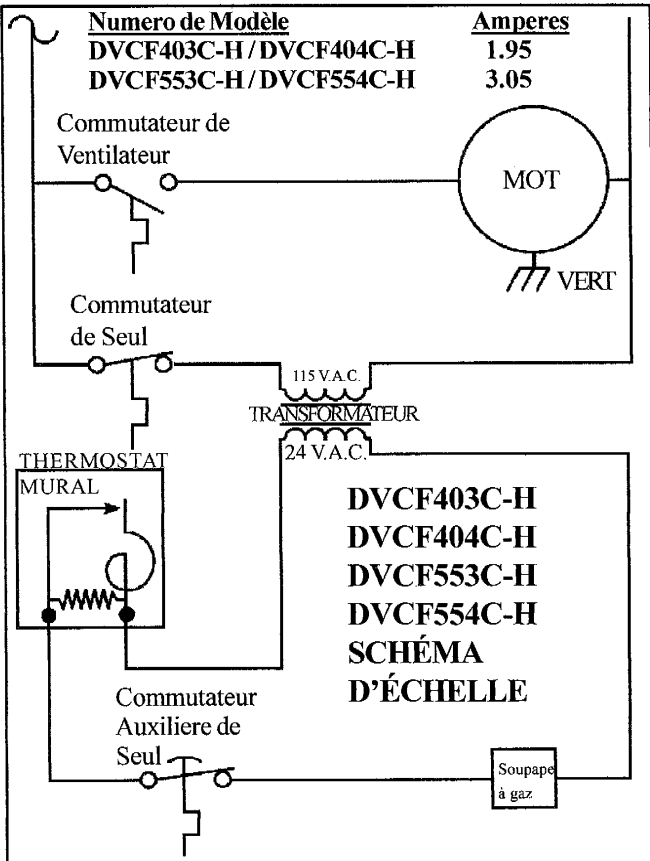
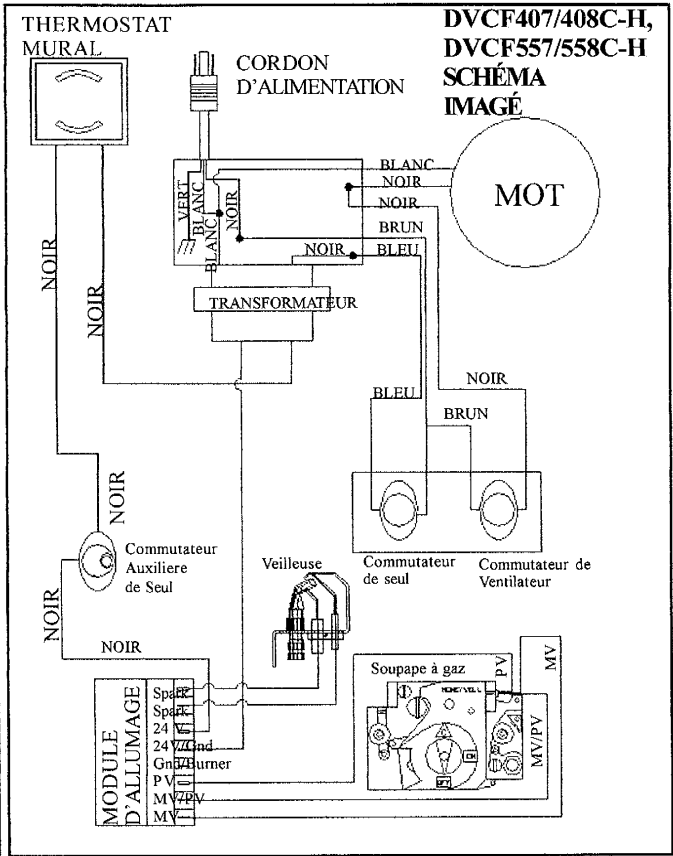
No. de	0 à	609,61 à	1219,21 à	1828,82 à	2438,43 à
Modèle	609,61m	1219,21m	1828,82m	2438,43m	3048,04m
DVCF404C	49	50	51	52	52
DVCF408C	49	50	51	52	52
DVCF554C	44	45	47	48	49
DVCF558C	44	45	47	48	49

LOT DE COMMANDE NO 49840 2287-1 LOT HAUTE ALTITUDE

VEILLEUSE CONSTANTE

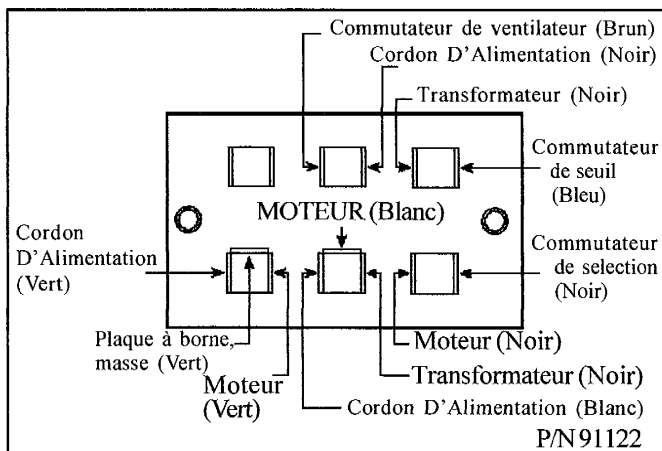


I. I. D.

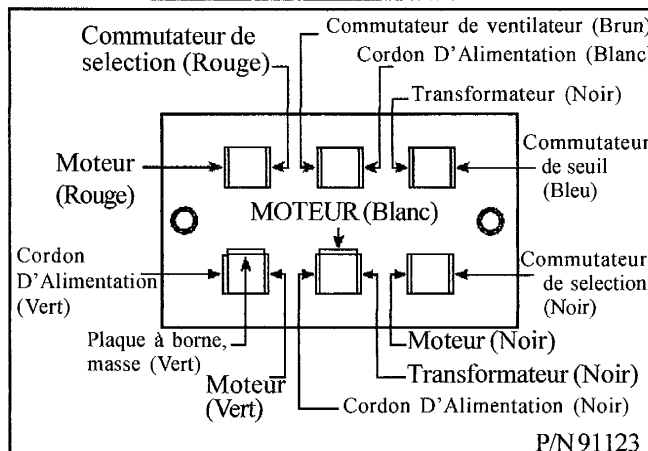


ATTENTION. Au moment de l'entretien des commandes, étiquetez tous les fils avant le débranchement. Des erreurs de câblage peuvent entraîner un fonctionnement inadéquat et dangereux. S'assurer que l'appareil fonctionne adéquatement une fois l'entretien terminé.

DIAGRAMME DE LA PLAQUETTE DE CONNEXIONS



DVCF403C, 404C, 407C, 408C-''H''



DVCF553C, 554C, 557C, 558C-''H''

INTERRUPTEUR À RÉENCLenchement MANUEL

Pour votre sûreté, cet appareil de chauffage est équipé d'un régulateur à réenclenchement manuel. En cas d'échec par le régulateur de température, cet interrupteur fermera entièrement la soupape avant que l'appareil atteigne des températures trop élevées. Après une période de refroidissement, cet interrupteur peut être réenclenché manuellement. Si l'interruption persiste, appeler un réparateur qualifié.

DIRECTIVES D'ENTRETIEN

Garder propres la fournaise et l'aire de la fournaise pour un fonctionnement sûr et approprié. À des intervalles réguliers, tourner la soupape régulatrice à la position d'arrêt «OFF», laisser refroidir et nettoyer à l'intérieur du secteur de commande et sous l'appareil de chauffage. Utiliser un linge humide seulement pour nettoyer le cabinet. Ne pas utiliser aucun type de solvant ou nettoyeur liquide qui pourrait laisser un résidu ou une couche invisible qui pourrait brûler ou fumer quand la fournaise est en marche.

Faites inspecter, nettoyer, réparer la chaudière, y compris le système de ventilation, le fonctionnement de la veilleuse et du brûleur, une fois par an avant toute utilisation par un technicien d'entretien qualifié.

Les paliers du moteur du ventilateur devraient être lubrifiés à chaque douze (12) mois avec de l'huile grade 20 S.A.E. (Voir schéma 10).

Suivre un service régulier et un programme d'entretien pour un fonctionnement sûr et efficace.

Examiner le système de ventilation en tant que partie courante du programme de sécurité sur une base annuelle.

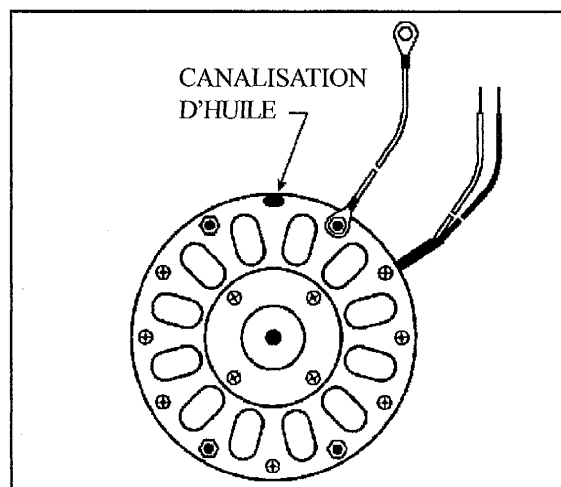


SCHÉMA 10

MISE EN GARDE

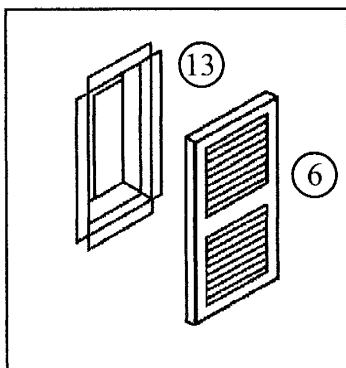
Cet appareil fonctionne au gaz. Ne pas entreposer ou utiliser de l'essence ou d'autres liquides ou vapeurs inflammables aux alentours de cet appareil. Toute matière combustible doit être gardée loin de cet appareil de chauffage afin d'éviter une incendie ou une explosion.

ENSEMBLES DE DÉCHARGE LATÉRALE FACULTATIFS

Ce kit doit être installé par un installateur ou un technicien d'entretien qualifié.

DÉCHARGE LATÉRALE SUR LE CAISSON

1. Utiliser l'ensemble facultatif n° 306SR-A.
2. Couper et retirer la partie enstampée sur le côté du caisson.
3. Retirer la partie du revêtement intérieur.
4. Placer la pièce de raccordement de 3,81 cm. à travers l'ouverture en faisant correspondre les rebords de la pièce de raccordement et la partie de revêtement intérieur.
5. Marquer les trous de vis et retirer la pièce de raccordement.
6. Percer des trous avec une perceuse de 1/8 po.
7. Fixer la pièce de raccordement avec les vis fournies.
8. Positionner la grille, percer des trous dans le caisson et fixer avec les vis fournies.



Ensemble n° 306SR-A
REGISTRE LATÉRAL - AFFLEURANT

DÉCHARGE LATÉRALE (avec pièce de prolongement)

REMARQUE: Longueur maximum de pièce est de 25,40 cm.

1. Utiliser l'ensemble facultatif n° 30SRB-A.
2. Couper l'ouverture dans la cloison sèche comme montré dans le schéma 9.
3. Positionner l'arrêt d'enduit comme indiqué au schéma 9 (facultatif).
4. Couper et retirer la partie estampée sur le côté du caisson.
5. Retirer la partie de revêtement intérieur.
6. Positionner l'appareil.
7. Placer la pièce de raccordement intérieur en place, marquer et couper la pièce de niveau avec le mur. Placer la pièce de raccordement extérieur en place, marquer et couper la pièce de niveau avec le mur.
8. Placer la garniture de la pièce de raccordement en place, glisser la pièce de raccordement intérieur par un mur d'une pièce adjacente et fixer au revêtement intérieur. Glisser la pièce de raccordement extérieur par un mur d'une pièce adjacente et fixer au côté du caisson.
9. Positionner la grille et la fixer au mur.

ÉBAUCHE-POSE DE LA DÉCHARGE LATÉRALE

Installer l'arrêt d'enduit comme montré au schéma 9.
REMARQUE: Lorsque la décharge latérale n° 30SRB-A est utilisée, l'appareil de chauffage devrait être exactement à 10,16 cm du mur latéral.

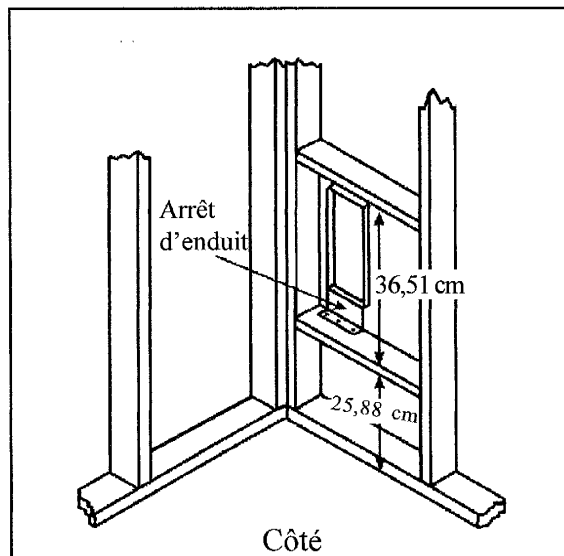
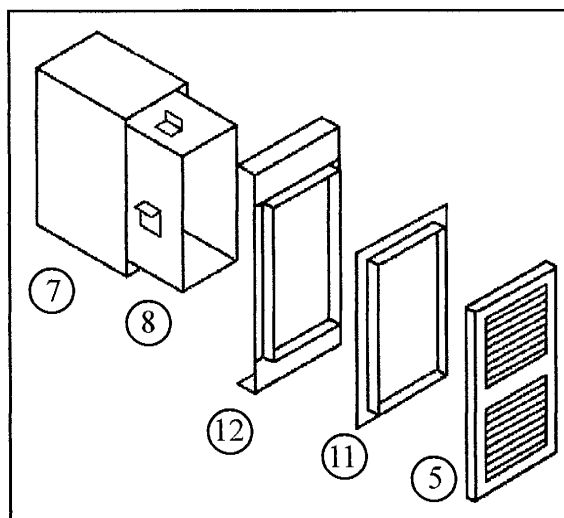


SCHÉMA 9

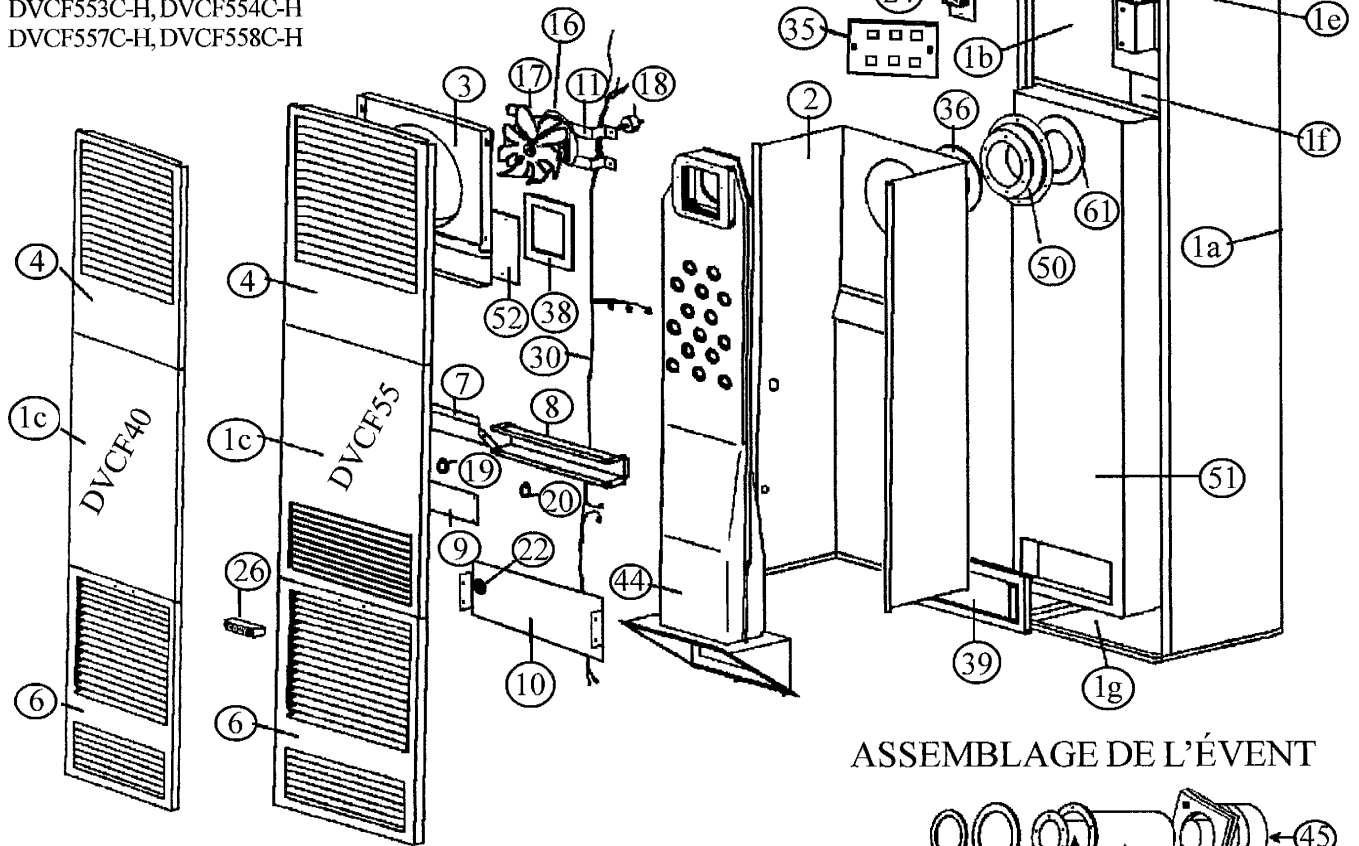


Ensemble n° 30SRB-A Registre latéral av/pièce de raccordement

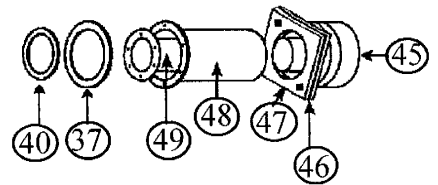
APPAREIL DE CHAUFFAGE MURAL À CIRCULATION À CONTRE COURANT – VENTILATION DIRECTE

MODÈLES:

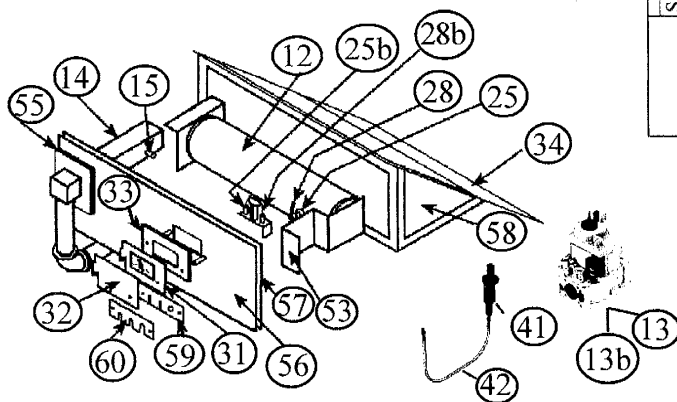
DVCF403C-H, DVCF404C-H
 DVCF407C-H, DVCF408C-H
 DVCF553C-H, DVCF554C-H
 DVCF557C-H, DVCF558C-H



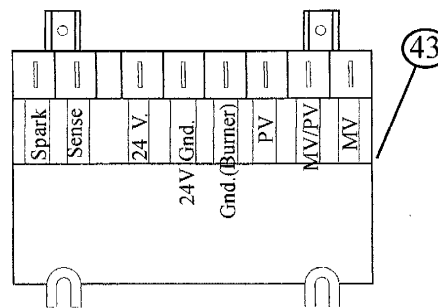
ASSEMBLAGE DE L'ÉVENT



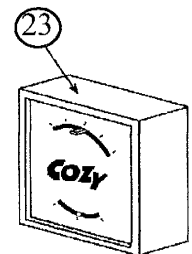
ASSEMBLAGE DU BRÛLEUR
 DVCF40C-H, DVCF55C-H



ALLUMAGE - I.I.D.



THERMOSTAT



N'UTILISER QUE DES PIÈCES DE
 RECHANGE FOURNIES PAR L'USINE.

Prix et spécifications susceptibles de changer sans
 avis préalable. Tous les prix sont FAB usine.

COMMENT COMMANDER DES PIECES. En plus de la description et du numéro de pièce, prière de fournir le numéro de modèle, le numéro de série, ainsi que le type de gaz utilisé.

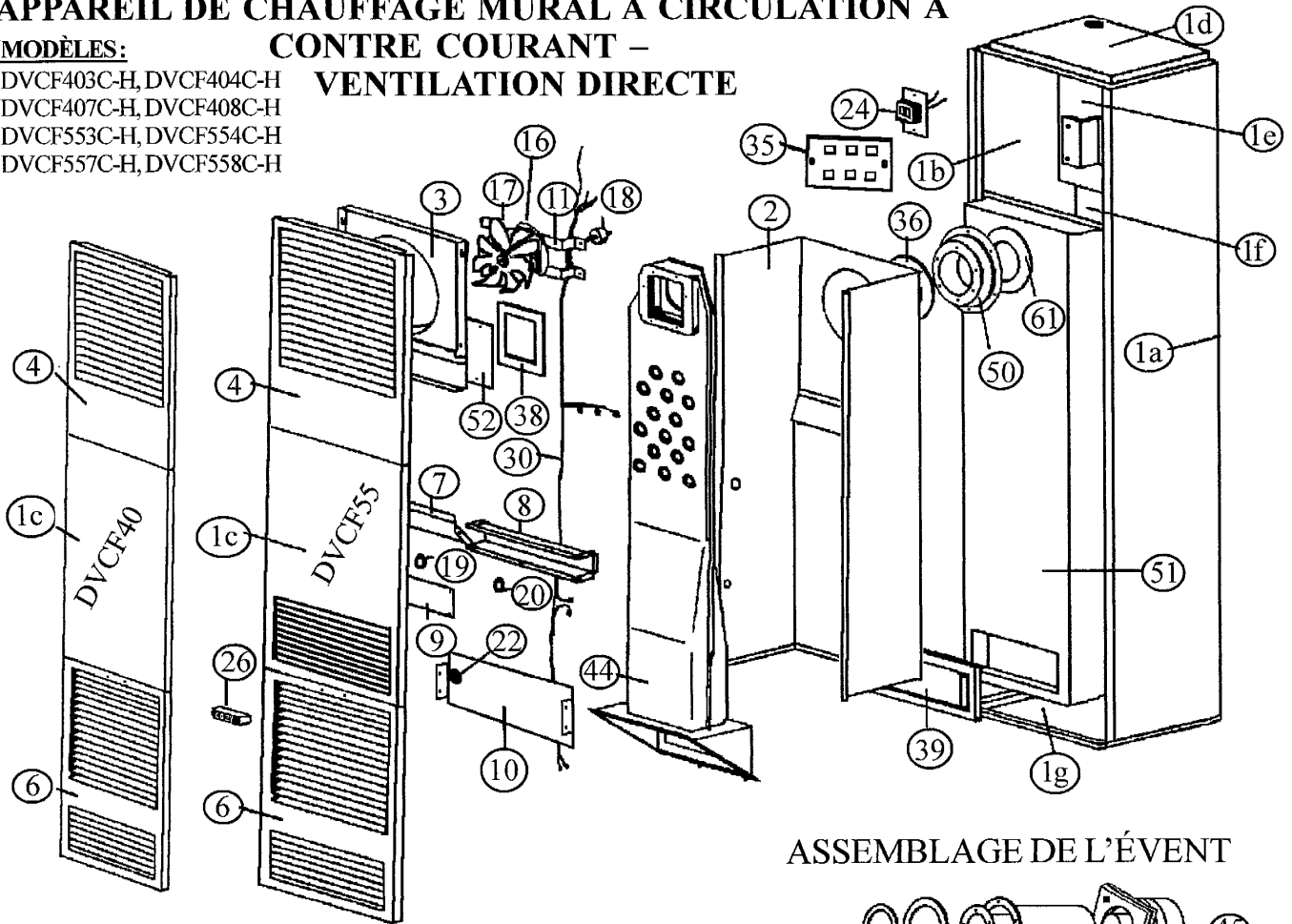
NUMERO DE MODELE	NAT.	DVCF403C		DVCF407C		DVCF553C		DVCF557C	
	L.P.	DVCF404C		DVCF408C		DVCF554C		DVCF558C	
DESCRIPTION DE PIECE	No Ref.	No Piece	Prix Courant	No Piece	Prix Courant	No Piece	Prix Courant	No Piece	Prix Courant
Cote de Chemise, Droit	1a	34065		34065		34560		34560	
Cote de Chemise, Gauche	1b	34055		34055		34550		34550	
Montagem de Tableau du Front Centre	1c	34104		34104		30534		30534	
Montagem Superieure	1d	34050		34050		34050		34050	
Montagem Derriere Superieure	1e	34080		34080		34080		34080	
Montagem Derriere Inferieur	1f	34090		34090		34575		34575	
Montagem du Fond	1g	34070		34070		34070		34070	
Supports de Montagem de Chemise	N/A	*30260		*30260		*30260		*30260	
Assemblage du chemisage interieur	2	34115		34115		34600		34600	
Assemblage buse du ventilateur	3	34140		34140		34140		34140	
L'event a lames superieur	4	34100		34100		34590		34590	
Assemblage de l'event a lames inferieur	6	30100		30100		30100		30100	
Ecran thermique superieur	7	30250		30250		30250		30250	
Boite d'interrupteur	8	30252		30252		30252		30252	
Couvercle de la boite d'interrupteur	9	30253		30253		30253		30253	
Ecran thermique inferieur avant	10	30256		30256		30256		30256	
Support du moteur	11	*34088		*34088		*34579		*34579	
Bruleur	12	72107		72107		72107		72107	
Support du Pilote	53	34440		34440		34440		34440	
Soupape, 7200ER, gaz naturel	13	72090		N/A		72090		N/A	
Soupape, 7200ER, propane	13	72091		N/A		72091		N/A	
Soupape, 7200IPER, gaz naturel	13b	N/A		72092		N/A		72092	
Soupape, 7200IPER, propane	13b	N/A		72093		N/A		72093	
Collecteur	14	72103		72103		72103		72103	
Orifice du bruleur, gaz naturel	15	72147		72147		72140		72140	
Orifice du bruleur, propane	15	72149		72149		72141		72141	
Moteur du ventilateur	16	72108		72108		72110		72110	
Pale de ventilateur	17	72111		72111		72111		72111	
Passe-fils	18	**78010		**78010		**78010		**78010	
Commutateur de seuil 60T11-L220F	19	N/A		N/A		72160		72160	
Commutateur de seuil 60T11-L180F	19	78065		78065		N/A		N/A	
Commutateur de ventilateur 60T12F110	20	78064		78064		78064		78064	
Commutateur auxiliaire de seuil 60T15-L350	22	78086		78086		78086		78086	
Thermostat 24 V	23	78355		78355		78355		78355	
Transformateur	24	78069		78069		78069		78069	
Plaque du Transformateur	N/A	34089		34089		34089		34089	
Plaque a bornes	35	78300		78300		78300		78300	
Veilleuse 0.140.512, gaz naturel	25	72020		N/A		72020		N/A	
Veilleuse 0.140.502, propane	25	72021		N/A		72021		N/A	
Poignee Cozy	26	84003		84003		84003		84003	
Fil de thermostat	27	74518		74518		74518		74518	
Thermocouple Q309A 1954	28	78095		N/A		78095		N/A	
Crampons isoles	29	74209		74209		74209		74209	
Veilleuse 3S-24F, gaz naturel	25b	N/A		72098		N/A		72098	
Veilleuse 3S-24F, propane	25b	N/A		72097		N/A		72097	
Cables groupes	30	72251		72251		72250		72250	
Capteur de flamme S-1	28b	N/A		72025		N/A		72025	

(SUITE - PAGE 16)

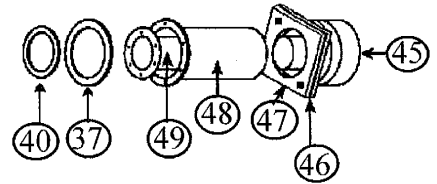
APPAREIL DE CHAUFFAGE MURAL À CIRCULATION À CONTRE COURANT – VENTILATION DIRECTE

MODÈLES:

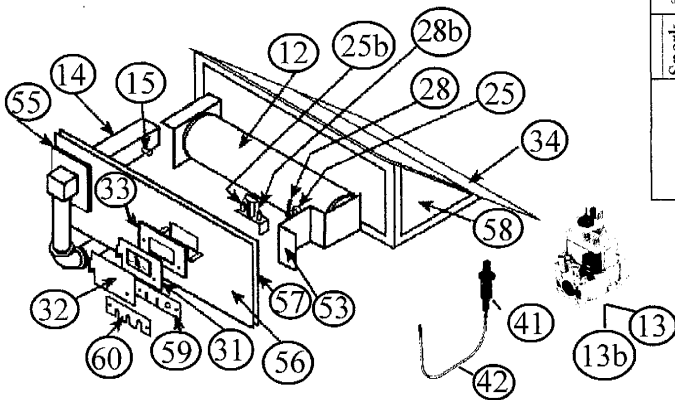
DVCF403C-H, DVCF404C-H
 DVCF407C-H, DVCF408C-H
 DVCF553C-H, DVCF554C-H
 DVCF557C-H, DVCF558C-H



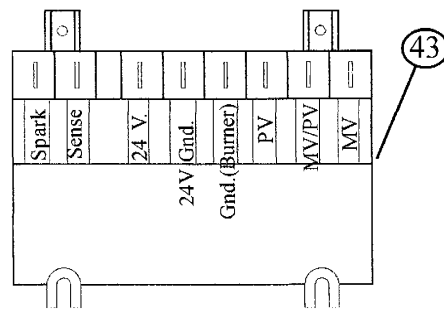
ASSEMBLAGE DE L'ÉVENT



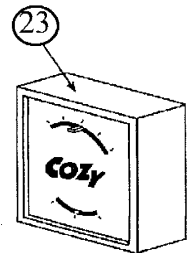
ASSEMBLAGE DU BRÛLEUR
 DVCF40C-H, DVCF55C-H



ALLUMAGE - I.I.D.



THERMOSTAT



N'UTILISER QUE DES PIÈCES DE RECHANGE FOURNIES PAR L'USINE.

Prix et spécifications susceptibles de changer sans avis préalable. Tous les prix sont FAB usine.

COMMENT COMMANDER DES PIÈCES. En plus de la description et du numéro de pièce, prière de fournir le numéro de modèle, le numéro de série, ainsi que le type de gaz utilisé.

MODEL NUMBER	NAT.	DVCF403C		DVCF407C		DVCF553C		DVCF557C	
	L.P.	DVCF404C		DVCF408C		DVCF554C		DVCF558C	
PART DESCRIPTION	REF. NO.	PART NO.	LIST PRICE	PART NO.	LIST PRICE	PART NO.	LIST PRICE	PART NO.	LIST PRICE
Cordon d'alimentation	N/A	78213		78213		78213		78213	
Voyant en verre	31	43252		43252		43252		43252	
Plaque-couvercle du boyant	32	43258		43258		43258		43258	
Garniture du voyant	33	72067		72067		72067		72067	
Garniture du compartiment bruleur	34	72059		72059		72059		72059	
Montagem de Joint Coulissant avec Garnitures	50	34220		34220		34220		34220	
Garniture a raccordement coulissant	N/A	72057		72057		72057		72057	
Garniture annulaire du raccordement coulissant	61	72056		72056		72056		72056	
Garniture a joint coulissant (2 piece/engraphite)	N/A	72058		72058		72058		72058	
Garniture de sortie du conduit de fumée	36	72055		72055		72055		72055	
Garniture du tuyaux d'admission	37	72054		72054		72054		72054	
Porte d'accès de chambre de combustion	52	34195		34195		34195		34195	
Garniture de porte d'accès, chambre de combustion	38	72053		72053		72053		72053	
Garniture d'entrée du compartiment bruleur	39	72052		72052		72052		72052	
Garniture du tuyau d'echappement	40	72051		72051		72051		72051	
Garniture du collecteur	55	72068		72068		72068		72068	
Allumeur piezoelectrique	41	80016		N/A		80016		N/A	
Fil de l'allumeur 0.028.508	42	72022		N/A		72022		N/A	
Bougie d'allumage SP715, gaz naturel	43	N/A		78070		N/A		78070	
Bougie d'allumage SP845, propane	43	N/A		78088		N/A		78088	
Outils d'Echangeur de Chaleur	44	34805		34805		34815		34815	
Assemblage complete du chapeau de ventilation	45	34250		34250		34250		34250	
Plaque d'espacement du chapeau de ventilation	46	34273		34273		34273		34273	
Outils de Montagem de Bouchon de Ventilation	47	34330		34330		34330		34330	
Tuyau d'admission	48	34280		34280		34280		34280	
Tuyau de prise d'air	49	34290		34290		34290		34290	
Coude St. 3/8x90	N/A	84501		84501		84501		84501	
Assemblage du volet d'air	51	34201		34201		34630		34630	
Assemblage inferieur du compartiment bruleur	58	34400		34400		34400		34400	
Assemblage de la porte du bruleur	56	34425		34425		34425		34425	
Garniture de la porte du bruleur	57	72065		72065		72065		72065	
Raccord de la veilleuse 90	N/A	N/A		70352		N/A		70352	
Support de la veilleuse	60	34475		34475		34475		34475	
Protecteur de la bouche de soufflage	N/A	34950		34950		34950		34950	
Tube veilleuse et raccorderie	N/A	78452		78452		78452		78452	
Garniture du tube veilleuse	59	72063		72063		72063		72063	
Instructions d'Allumage	N/A	91260		91261		91260		91261	

Louisville Tin and Stove Company
P.O. Box 2767
Louisville, KY. 40201-2767

*Deux necessaires

** Quatre necessaires

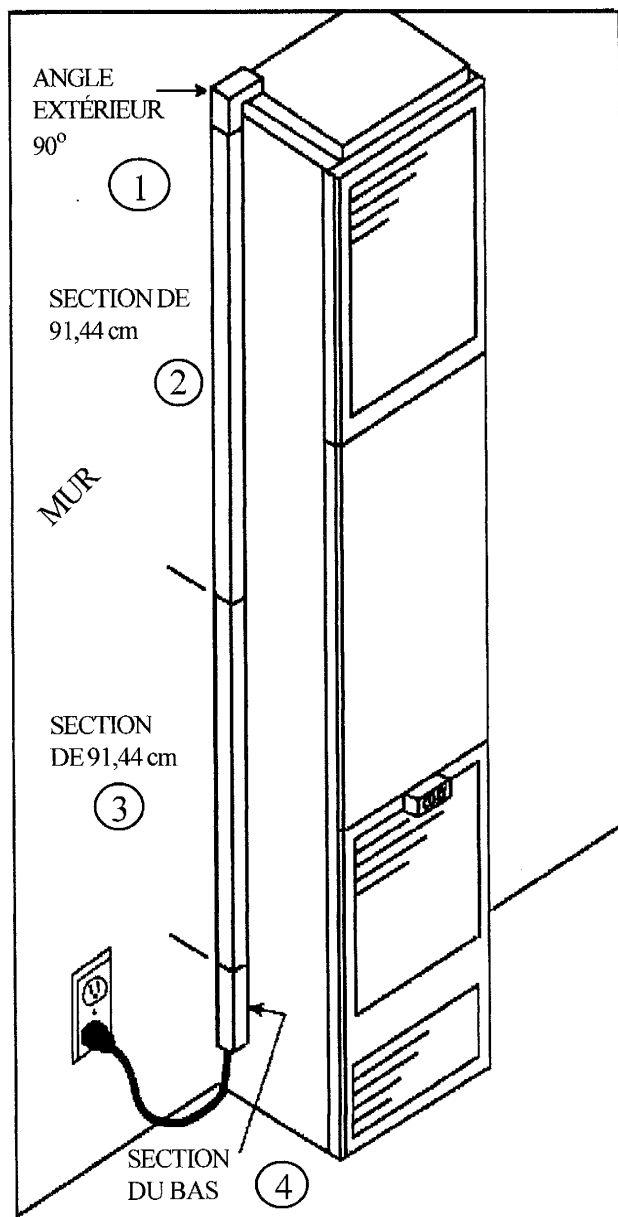
JANVIER 2015

REV. 01/2015
TÉL. (502) 589-5380
TÉLÉC. (502) 589-5382

NÉCESSAIRE DE RALLONGE DE 35,56 CM

Ce kit doit être installé par un installateur ou un technicien d'entretien qualifié.

INSTALLATIONS NON ENCASTRÉE SEULEMENT



UNITÉS AVEC PLAQUE À BORNES

- ÉTAPE 1.** Arrêter l'appareil de chauffage en suivant les instructions d'allumage à la section 3 et laisser l'unité refroidir.
- ÉTAPE 2.** Ferner toute l'alimentation électrique à l'unité.
- ÉTAPE 3.** Retirer l'assemblage évent à lames supérieur, buse du ventilateur et pale de ventilateur.
- ÉTAPE 4.** Desserrer deux vis sur le connecteur romex.
- ÉTAPE 5.** Retirer la plaque-couvercle de la boîte de jonction.
- ÉTAPE 6.** Déconnecter les trios bornes du cordon d'alimentation et retirer le cordon d'alimentation du haut de l'appareil.
- ÉTAPE 7.** Insérer le cordon d'alimentation de l'ensemble dans le connecteur romex et connecter dans la plaque à bornes en suivant le diagramme de câblage des instructions d'allumage/fonctionnement.
- ÉTAPE 8.** Resserrer les deux vis sur le connecteur romex.
- ÉTAPE 9.** Remettre la plaque-couvercle en place.
- ÉTAPE 10.** Remettre l'assemblage évent à lames supérieur, tuyère du ventilateur et pale de ventilateur en place.
- ÉTAPE 11.** Replacer l'angle extérieur (Réf. 1) sur la section de 91,44 cm (Réf. 2) de la canalisation plastique. Insérer le cordon d'alimentation et retirer la pellicule bleue sur la canalisation et placer sur le côté de l'appareil de chauffage.
- ÉTAPE 12.** Insérer le cordon d'alimentation dans la deuxième section de canalisation de 91,44 cm (Réf. 3), retirer la pellicule bleue et placer sur le côté de l'appareil.
- ÉTAPE 13.** Couper une section du bas de 35,56 cm à la longueur requise (voir diagramme), insérer le cordon d'alimentation, retirer la pellicule adhésive et placer sur le côté de l'appareil.
- ÉTAPE 14.** Brancher le cordon d'alimentation dans la prise murale.
- ÉTAPE 15.** Mettre l'appareil de chauffage en marche en suivant les instructions d'allumage.

N° de Modèle	LONGUEUR DE LA SECTION DU BAS (réf. 4) CANALISATION PLASTIQUE
DVCF40	13,49 cm
DVCF55	35,56 cm

REMARQUE: Les longueurs ci-dessus se terminent à environ 5,08 cm au-dessus du plancher.

**LISTE DES PIÈCES POUR LES ACCESSOIRES
APPAREIL DE CHAUFFAGE MURAL À CIRCULATION À CONTRE-COURANT**

DESCRIPTION DE PIÈCES	N° RÉF.	N° PIÈCE	PRIX COURANT
Register arrière/latéral	5	31630	-
Grille latérale	6	31525	-
Grande pièce de raccordement ext.	7	31580	-
Grande pièce de raccordement int.	8	31560	-
Garniture de pièce de raccordement	11	31615	-
Arrêt d'enduit	12	31595	-
Pièce de raccordement latérale	13	31510	-
Angle de garniture du côté du cabinet	14	31310	-
Garniture du haut du cabinet	15	31320	-

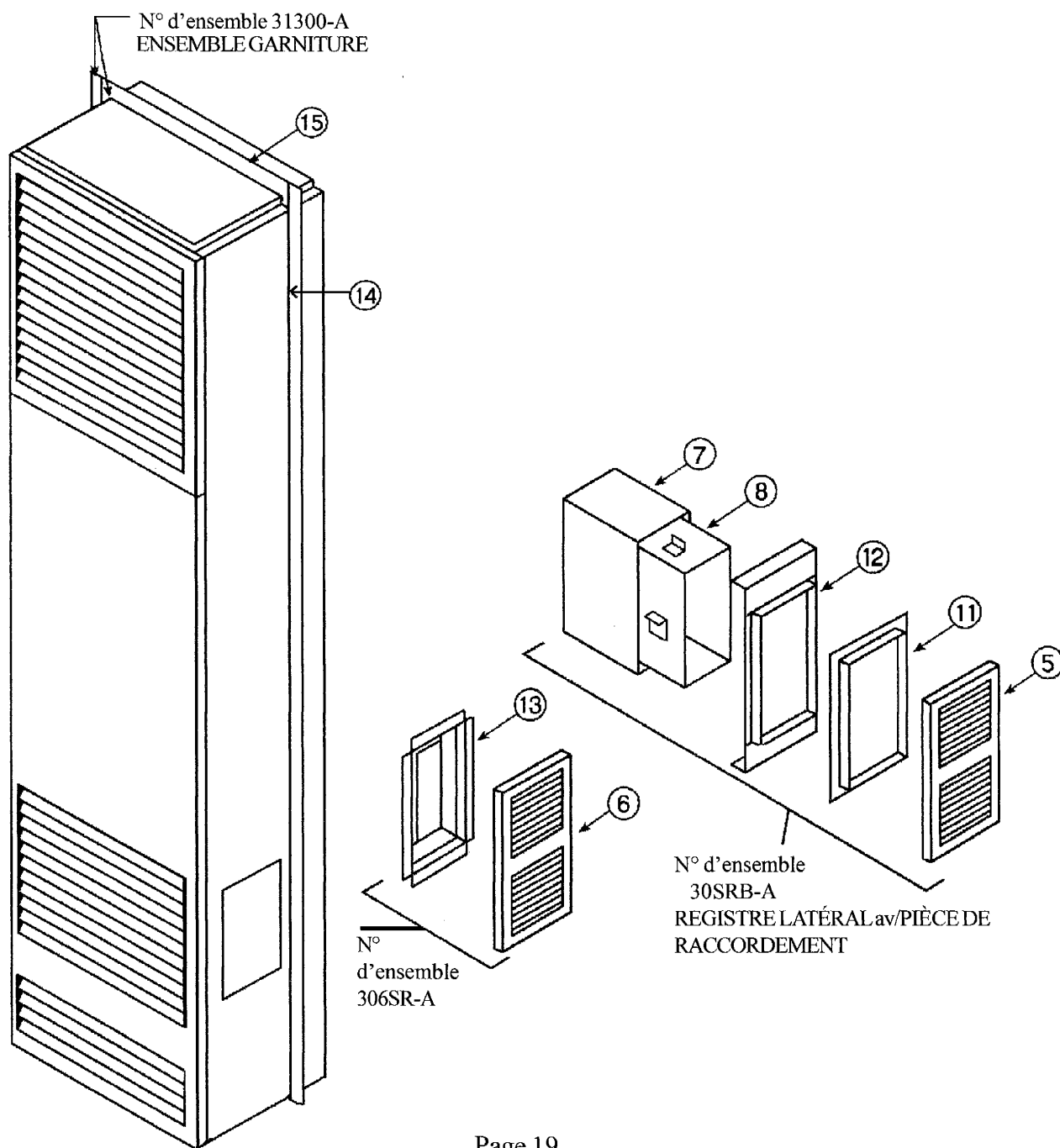


TABLEAU DE DEPANNAGE

A utiliser par un installateur ou un technicien d'entretien qualifié.

PROBLÈME	CAUSE POSSIBLE	ACTION CORRECTIVE
Flamme trop grande	<ol style="list-style-type: none"> Soupape défective. Orifice trop grand du brûleur. Si installé au-dessus de 609,61 m. 	<ol style="list-style-type: none"> Remplacer la soupape. Vérifier avec la société gazière locale pour la taille appropriée d'orifice et remplacer. Voir la section sur l'orifice de brûleur à la page 10.
Flamme jaune de Brûleur	<ol style="list-style-type: none"> Ports obstrués du brûleur. Obstruction aux environs de la bouche d'aération. 	<ol style="list-style-type: none"> Retirer le brûleur principal et vérifier pour des obstructions dans le col, l'entrée du brûleur et les orifices. Nettoyer mais ne pas agrandir l'entrée ou les orifices. S'assurer que le secteur aux environs de la bouche d'aération est dégagé et que le système de ventilation est étanche.
Senteur de gaz	1. Fuite de gaz.	1. Voir la page 1.
Allumage retardé	<ol style="list-style-type: none"> Flamme veilleuse trop petite. Orifices encrassés du brûleur. Pression de gaz basse. La taille de la veilleuse diminue quand le brûleur s'allume. 	<ol style="list-style-type: none"> Régler la flamme veilleuse. Nettoyer orifices du brûleur (ne pas agrandir). Vérifier la pression d'alimentation en gaz. Le conduit d'alimentation est trop petit. Consulter la société gazière locale ou un installateur qualifié.
Ne s'allume pas	<ol style="list-style-type: none"> Alimentation principale fermée. Le cadran des températures ou thermostat n'est pas réglé assez haut. Orifice du brûleur encrassée. Mauvais câblage du thermostat ou thermostat défectueux. Soupape défectueuse. 	<ol style="list-style-type: none"> Ouvrir toutes les soupapes à gaz à commande manuelle. Régler le cadran des températures ou thermostat à une température plus haute pour faire appel à la chaleur. Nettoyer l'orifice du brûleur (ne pas agrandir). Vérifier le câblage, des bornes de thermostat à la soupape, si la soupape s'ouvre, vérifier à nouveau le câblage, remplacer le thermostat. Remplacer la soupape.
Le brûleur ne s'arrête pas	<ol style="list-style-type: none"> Câblage du thermostat ou thermostat défectueux ou endommagé. L'emplacement du thermostat. Défectuosité ou grippage de soupape. Pression de gaz excessive. 	<ol style="list-style-type: none"> Vérifier en enlevant la soupape de la borne. Si la soupape s'arrête remplacer le fil ou le thermostat. Suivre les instructions concernant l'emplacement. Remplacer la vanne. Contacter l'unité fournissant le gaz.
Puissance d'entrée Incorrecte de gaz	<ol style="list-style-type: none"> Puissance d'entrée de gaz non vérifiée. Orifice encrassée. 	<ol style="list-style-type: none"> Vérifier à nouveau la puissance d'entrée de gaz. Nettoyer l'orifice avec un cure-dent propre en bois doux, ne pas agrandir.
Pas assez de chaleur	<ol style="list-style-type: none"> Fournaise trop petite. Cadran des températures réglé trop bas. Pression incorrecte d'alimentation. 	<ol style="list-style-type: none"> Tout particulièrement vrai quand un logement ou une pièce est agrandi. Faire calculer la perte de chaleur et la comparer au rendement de la fournaise. Votre société gazière peut vous fournir ces informations. Si la fournaise est trop petite, la remplacer par une unité de taille exacte. Augmenter le réglage de température. Vérifier la pression d'alimentation.
Trop de chaleur	<ol style="list-style-type: none"> Cadran des températures réglé trop haut. Soupape de contrôle combiné est bloquée. 	<ol style="list-style-type: none"> Régler à une température plus basse. Remplacer la soupape de contrôle combine.
La veilleuse et le brûleur principal s'éteignent pas	<ol style="list-style-type: none"> Thermocouple trop faible. Rendement trop élevé. Couvercle autour du trou d'allumage veilleuse pas hermétique. Les tuyaux d'aération ne sont pas bien installés ou assez étanches. 	<ol style="list-style-type: none"> Vérifier la milli-tension de contrôle et remplacer si trop faible. Vérifier le débit. Resserrer l'écrou papillon pour fixer le couvercle et le voyant. Vérifier et remplacer le joint d'étanchéité si requis. Suivre les instructions. Vérifier les tuyaux d'échappement et d'admission d'air, ainsi que la bouche d'aération. Assurer

TABLEAU DE DEPANNAGE (suite)

A utiliser par un installateur ou un technicien d'entretien qualifié.

PROBLÈME	CAUSE POSSIBLE	ACTION CORRECTIVE
Le brûleur ne s'allume pas	<ol style="list-style-type: none"> 1. La soupape à gaz pas ouverte. 2. Aucune tension à la soupape. 3. Thermostat défectueux. 4. Pas de tension de ligne de 115 V. 5. Soupape à gaz défectueuse. 6. Interrupteur à réenclenchement pas en prise. 	<ol style="list-style-type: none"> 1. Tourner la soupape à gaz à la position «ON». 2. S'assurer qu'il y a 24 V de la soupape au transformateur. 3. Vérifier le thermostat mural. 4. Fournir une tension de ligne. 5. Remplacer la soupape à gaz. 6. Appuyer sur le bouton rouge de l'interrupteur.
(Veilleuse constante) La veilleuse ne s'allume pas ou ne reste pas allumée	<ol style="list-style-type: none"> 1. Air dans la ligne. 2. Thermocouple défectueux. 3. Flamme veilleuse trop basse. 4. Interrupteur de réenclenchement manuel pas en prise. 	<ol style="list-style-type: none"> 1. Purger la ligne. 2. Remplacer le thermocouple. 3. Ajuster la flamme veilleuse. 4. Appuyer sur le bouton rouge de l'interrupteur.
(Veilleuse I.I.D) La veilleuse ne s'allume pas	<ol style="list-style-type: none"> 1. L'étinceleur ne fonctionne pas. 2. L'étinceleur n'allume pas la veilleuse. 3. Interrupteur de réenclenchement manuel pas en prise. 	<ol style="list-style-type: none"> 1. Vérifier les liaisons par fil, fournir une mise à la terre adéquate. 2. <ol style="list-style-type: none"> a. Flamme veilleuse trop petite. b. Tourner la soupape à «ON». c. Vérifier pour obstruction de la veilleuse. 3. Appuyer sur le bouton rouge de l'interrupteur.

FICHE DE SERVICE	

FICHE DE SERVICE	

TABLEAU DE DEPANNAGE - I.I.D.

A utiliser par un installateur ou un technicien d'entretien qualifié.

Code clignotant LED verte (XXY)*	Indique	Prochaine action du système	Intervention d'entretien recommandée
Éteinte	Aucun «besoin de chaleur»	Non applicable	Aucune
Clignotement rapide	Démarrage - Détection de la flamme Étalonage	Non applicable	Aucune
Clignotement normal	Fonctionnement normal	Non applicable	Aucune
2	Patientez 5 minutes avant de réessayer - Veilleuse non détectée pendant la phase d'essai d'allumage	Faites un nouvel essai d'allumage une fois le délai d'attente achevé.	Si le système ne s'allume pas au prochain essai d'allumage, vérifiez l'alimentation de gaz, le brûleur, l'étincelle, le câble de détection de la flamme, toute contamination ou tout mauvais positionnement de l'électrode de détection la flamme et la connexion de terre du brûleur.
3	Nouveau cycle - Échec d'allumage de la flamme pendant le fonctionnement	Faites un nouvel essai d'allumage. Le code clignotant restera visible pendant l'essai s'allumera jusqu'à détection de la flamme	Si le système ne s'allume pas au prochain essai d'allumage, vérifiez l'alimentation de gaz, le brûleur, le câble de détection de la flamme, toute contamination de l'électrode de détection la flamme et la connexion de terre du brûleur.
4	Flamme détectée hors séquence	Si la situation se corrige d'elle-même en l'espace de 10 secondes, la commande revient en séquence normale. Si la situation ne se corrige pas pendant plus de 10 secondes, la commande active le code clignotant 6+4 (voir ci-dessous)	Vérifiez la veilleuse. Remplacez la vanne de gaz si la veilleuse est présente. Si vous ne constatez aucune veilleuse, faites un cycle de «besoin de chaleur». Si l'erreur se répète, remplacez la commande.
7	Fuite de la détection de la flamme vers la mise à terre.	La commande reste en mode d'attente. Une fois l'erreur corrigée, la commande revient en fonctionnement normal après une minute.	Vérifiez les dommages ou court-circuit du fil de plomb de détection de la flamme. Vérifiez que l'électrode de la flamme est en bonne position. Inspectez les craquelures, dommages ou fissures sur la céramique de l'électrode de la flamme.
8	Alimentation de tension secondaire faible (inférieure à 15,5 VCA).	La commande reste en mode d'attente. Une fois l'erreur corrigée, la commande revient en fonctionnement normal après une minute.	Vérifiez le transformateur ou la ligne électrique CA et assurez-vous que la tension d'entrée à la commande est correcte. Effectuez cette vérification avec une charge entière sur le transformateur.
6 + 2	Patientez 5 minutes avant de réessayer, à chaque troisième tentative sur la même action de «besoin de chaleur»	Faites un nouvel essai d'allumage une fois le délai d'attente achevé.	Vérifiez l'alimentation de gaz, le brûleur, l'étincelle et le câble de détection de la flamme, toute contamination ou tout mauvais positionnement de l'électrode de détection de la flamme et la connexion de terre du brûleur.
6 + 3	Toutes les 6èmes tentatives infructueuses sur la même action de «besoin de chaleur»	Patientez 5 minutes avant de réessayer, puis faites un nouvel essai d'allumage.	Vérifiez l'alimentation de gaz, le brûleur, le câble de détection de la flamme, toute contamination de l'électrode de détection de la flamme et la connexion de terre du brûleur.
6 + 4	Flamme détectée hors séquence, supérieure à 10 secondes.	La commande attend que la flamme ne soit plus détectée puis se met en mode verrouillage. Code flash toujours visible. La commande se réinitialise et quitte le mode de verrouillage après une heure.	Vérifiez la veilleuse. Remplacez la vanne de gaz si la veilleuse est présente. Si vous ne constatez aucune veilleuse, faites un cycle de «besoin de chaleur». Si l'erreur se répète, remplacez la commande.
Allumée	Verrouillage automatique dû à une erreur détectée pendant les séquences de vérification automatique.	La commande se réinitialise et quitte le mode de verrouillage après une heure.	Réinitialisez par un cycle de «besoin de chaleur». Si l'erreur se répète, remplacez la commande.

G A R A N T I E R E S T R E I N T E

La Société Cozy Heating Systems LLC garantit à l'utilisateur d'origine le produit fourni pour la période spécifiée dans ce document, à condition que ce produit soit installé, manipulé, entretenu, branché et utilisé conformément aux instructions et spécifications fournies avec le produit. **COMME LE SOULIGNENT NOS INSTRUCTIONS, TOUTES LES CONSIDERATIONS DE GARANTIE SONT SOUMISES A L'INSTALLATION PAR UN INSTALLATEUR QUALIFIE (ENTREPRENEUR). L'AUTO-INSTALLATION EST INTERDITE ET ANNULERA LA GARANTIE.**

Si pendant un an à compter de la date d'installation du produit, une pièce fournie par le fabricant s'avère défectueuse du fait d'un défaut de fabrication ou du matériau, il la remplacera, à condition que les pièces n'aient pas fait l'objet d'une mauvaise utilisation, d'une altération, d'une négligence, ni d'accidents. Les termes de la garantie pour l'échangeur de chaleur et les brûleurs sont couverts dans le Tableau A ci-dessous. Toute réclamation non formulée dans les dix (10) jours après l'expiration de la période de garantie sera considérée comme non recevable par l'utilisateur.

Le fabricant ne sera pas tenu pour responsable et ne sera pas obligé sous cette garantie, à moins que, lorsque cela est demandé, l'utilisateur retourne, à ses frais, le composant ou produit jugé défectueux au fabricant pour vérification, de façon à permettre à ce dernier de déterminer si la réclamation pour défaut est couverte par cette garantie.

Le fabricant ne paiera aucune charge pour fret, main d'œuvre ni autre frais engagé par la réparation, la dépose ou le remplacement d'un produit ou d'un composant jugé défectueux à l'utilisateur ; et le fabricant ne sera pas tenu pour responsable des dépenses engagées par l'utilisateur pour remédier au défaut du produit.

Selon cette garantie, le branchement relève de la responsabilité de l'installateur. Si un branchement s'avère

nécessaire dans le cadre de cette garantie, l'utilisateur du produit devra s'adresser directement à l'installateur pour ce branchement. Si l'utilisateur ne peut pas localiser l'installateur, il devra s'adresser par écrit directement au fabricant, et les coordonnées d'un installateur alternatif lui seront fournies.

La carte d'enregistrement de sécurité du produit (emballée à l'intérieur de l'appareil) doit être complétée et retournée à l'usine.

CETTE GARANTIE REMPLACE EXPRESSÉMENT TOUTE AUTRE GARANTIE EXPRESSE OU IMPLICITE (ECRITE OU ORALE). TOUTE GARANTIE IMPLICITE DE COMMERCIALITÉ OU DE CONFORMITÉ À UNE FIN PARTICULIÈRE EST EXPRESSÉMENT LIMITEE A LA DUREE DE LA GARANTIE ECRITE ET EXPRESSE DU FABRICANT.

EN AUCUNE CIRCONSTANCE, LE FABRICANT NE POURRA ETRE TENU RESPONSABLE DES DOMMAGES SPECIFIQUES, DIRECTS OU CONSECUTIFS OU DES DEPENSES ENGENDREES DIRECTEMENT OU INDIRECTEMENT PAR UN COMPOSANT OU UNE UTILISATION. LES RECOURS DEFINIS PRECEDEMMENT SERONT LES RECOURS EXCLUSIFS DONT L'UTILISATEUR DISPOSERA ET REMPLACERONT TOUS LES AUTRES RECOURS.

CERTAINS ETATS N'AUTORISENT PAS DES LIMITATIONS SUR LA DUREE D'UNE GARANTIE IMPLICITE ; AUSSI, VOUS POUVEZ NE PAS ETRE SOUMIS AUX LIMITATIONS ANTERIEURES.

CERTAINS ETATS N'AUTORISENT PAS L'EXCLUSION OU LA LIMITATIONS DE LA GARANTIE SUR LES DOMMAGES ACCESSOIRES ET INDIRECTS ; AUSSI, VOUS POUVEZ NE PAS ETRE SOUMIS AUX LIMITATIONS ANTERIEURES.

CETTE GARANTIE VOUS CONFERE CERTAINS DROITS LEGAUX PRECIS POUVANT S'AJOUTER A D'AUTRES DROITS VARIANT D'UN ETAT A L'AUTRE.

TABLE A

<u>Produit</u>	<u>Warranty Period</u>	
	<u>Exchangeur de chaleur/ Conduits</u>	<u>Brûleurs</u>
Chauffage sur socle au gaz Cozy	10 Ans	10 Ans
Chauffage mural au gaz Cozy	10 Ans	10 Ans
Chauffage à console ventilée au gaz Cozy	10 Ans	10 Ans
Chauffage à évacuation directe au gaz Cozy	10 Ans	10 Ans
Chauffage à contre-courant au gaz Cozy	10 Ans	10 Ans
Chauffage à évacuation directe, à contre-courant au gaz Cozy	10 Ans	10 Ans
Chauffage à évacuation directe au gaz Cozy pour maison mobile	10 Ans	10 Ans
Chauffage mural à évacuation directe très efficace au gaz Cozy	10 Ans	10 Ans
Chauffage sur plinthe à évacuation directe au gaz Cozy	10 Ans	10 Ans
Chauffage-ventilateur mural à évacuation directe Cozy	10 Ans	10 Ans
Chauffage à évacuation libre à flamme bleue Cozy	N/A	N/A
Chauffage à évacuation libre à infrarouge Cozy	N/A	N/A

SOCIETE COZY HEATING SYSTEMS LLC
3230 INDUSTRIAL PARKWAY. – JEFFERSONVILLE, IN 47130