

Installation Kits

Provide convenient, flexible installation options

Beacon/Morris offers kits for installing Twin-Flo III[®] units in locations other than the kickspace under a cabinet. Each kit comes with all the hardware needed to install the kickspace heater.

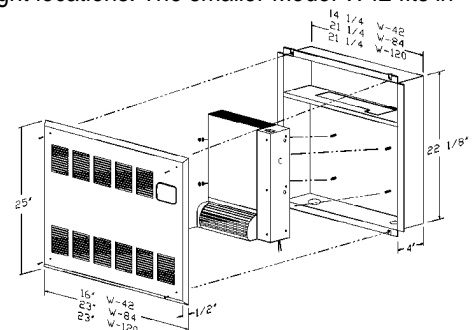


Recessed models finished in Cameo White with beveled edges.

Recessed W42 W84 W120

Twin-Flo III[®] Recessed kits fit into wall recesses so they're ideal for narrow hallways, mud rooms, laundry areas, and other tight locations. The smaller Model W42 fits in between standard 16" center studs.

- Galvanized steel inner cabinet
- Cameo White baked enamel finish
- Color coordinated screw covers and beveled edges for neat appearance

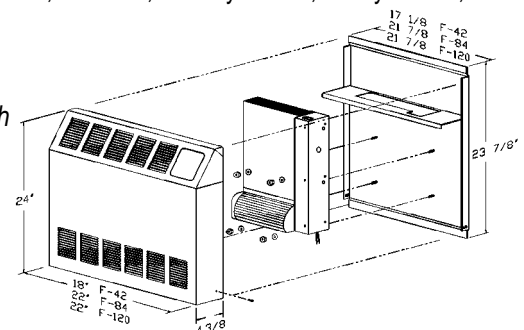


Surface models finished in Cameo White with sloped top and rounded edges.

Surface F42 F84 F120

Twin-Flo III[®] Surface kits install quickly and easily directly to a wall surface. They add warmth to cold hallways, bathrooms, kitchens, laundry rooms, family rooms, work shops, and additions.

- Galvanized steel inner cabinet
- Cameo White baked enamel finish
- New sloped top and rounded edges for neat appearance



Through the Floor Kit features heel proof grille in cameo white.

Floor FK42 FK84 FK120

Where glassed-in walls or sliders leave little room for heating units, Twin-Flo III[®] Floor kits install easily between standard floor joists. The grille provides a choice of forward or rear directional air flow and easy accessibility for routine maintenance.

- Heavy 16 gauge steel grill can be rotated for front or rear discharge
- Protective screen under grill
- Cameo white baked enamel finished grille

