



# PRODUCT CATALOG





## Aspen Background:

Aspen, headquartered in Humble, Texas, is one of the largest independent coil manufacturers in the air conditioning marketplace in the United States and Canada.

Founded in 1975 and family led since inception, we are small enough to be flexible but large enough to stand behind our products.

The Company engineers, manufactures, and markets an extensive line of residential and light commercial evaporator coils and air handlers under the Aspen brand.

We continuously invest in the business so we can provide quality products at competitive prices with short lead times that our customers have come to expect. As part of our growth path we are in the process of strengthening our sales and customer support organization to position Aspen for the next level of growth.



## Why Aspen:

- Shortest lead times in the industry for both coils and air handlers
- Hiss-test-able DX and hydronic heating coils
- AHRI 210/240 certified coils and air handlers
- Flexibility to custom fit our offering to the needs of the end user (Get it your way...)
- Web access for specification sheets, warranty forms and other technical literature
- Ability to adapt to changing market demands
- Low cost-to-market advantage
- R22 and R410A compatibility
- Assembled in the USA
- Faster warranty processing via web registration, claims and administration
- Loyalty programs designed to fit our customer's needs.
- 100% of all coils pressure tested with 500 psi dry air in a water bath
- Shipped with up to 60 psi of dry nitrogen holding charge
- Industry exclusive liquid line Schrader valve provided for "hiss test"
- 100% of Air Handlers run tested
- QMS system, incorporating ISO techniques to deliver a product to the highest industry standards
- Product compliant to UL1995 4th Edition safety requirements
- Metal, Plastic and Paint compliant with respective ASTM standards
- Our warranty claims failure rates are consistent with our quality materials and manufacturing practices, and we believe they continue to exceed that of our competitors
- Industry low leak rates
- High performance thicker bottom wall copper tube than all of the competition



*\*Complete warranty details and registration information available at [www.aspenmfg.com](http://www.aspenmfg.com)*

ASPEN MANUFACTURING • 373 ATASCOCITA ROAD • HUMBLE, TEXAS 77396  
PHONE 800.423.9007 • FAX 281.441.6510  
EMAIL [INFO@ASPENMFG.COM](mailto:INFO@ASPENMFG.COM) • WEB [WWW.ASPENMFG.COM](http://WWW.ASPENMFG.COM)



## TO PLACE AN ORDER...

### 1. All orders **MUST** include the following information:

- ✓ Account # & P.O.#
- ✓ “Requested” ship date – If none, order will be placed and shipped ASAP
- ✓ COMPLETE model #, including “Option Codes” – if standard, fill in the spaces with XXX
- ✓ Contact name, phone and e-mail – **MUST** include all three.
- ✓ **ANY** notes regarding special pricing, terms, shipping etc. – with supporting documentation.

### 2. Send Order To:

Email orders: [orderentry@aspenmfg.com](mailto:orderentry@aspenmfg.com)

Fax orders: (281) 441-6510\*

\*Alternate Fax (281) 441-1863 is available if difficulties are encountered with primary Fax number.

***\*All orders must be placed via fax or email. Phone orders not accepted.***

## RESIDENTIAL COILS

---

NOMENCLATURE.....	4
<b>CA</b> SERIES (DX-TREME) UNCASSED UPFLOW / DOWNFLOW COILS.....	5
<b>CB</b> SERIES (DX-TREME) DEDICATED HORIZONTAL COILS.....	6
<b>CC</b> SERIES (DX-TREME) CASSED UPFLOW/DOWNFLOW COILS.....	7
<b>CE</b> SERIES (DX-TREME) CASSED MULTI-POSITION COILS.....	8
<b>CH</b> SERIES (DX-TREME) SLAB HORIZONTAL COILS.....	9
<b>CR</b> SERIES (DX-TREME) DEDICATED HORIZONTAL PLENUM COILS W/ BUILT-IN AUX. DRAIN PAN.....	10
<b>CS</b> SERIES (DX-TREME) DEDICATED HORIZONTAL COILS.....	11
<b>CT</b> SERIES (DX-TREME) DEDICATED HORIZONTAL COILS.....	12

## LIGHT COMMERCIAL COILS

---

<b>CC</b> SERIES (DX-TREME) LIGHT COMMERCIAL CASSED UPFLOW COILS.....	13
<b>BH</b> SERIES SLAB HORIZONTAL SINGLE OR SPLIT CIRCUIT COILS.....	14

## AIR HANDLERS

---

NOMENCLATURE.....	15
<b>AAC</b> SERIES CEILING MOUNT ELECTRIC HEAT DX COOL AIR HANDLERS.....	17
<b>AAL</b> SERIES MULTI -POSITION ELECTRIC FURNACE.....	20
<b>AAM</b> SERIES MULTI -POSITION ELECTRIC HEAT DX COOL AIR HANDLERS.....	23
<b>AAW</b> SERIES VERTICAL WALL MOUNT ELECTRIC HEAT DX COOL AIR HANDLERS.....	27
<b>ABL</b> SERIES MULTI -POSITION HYDRONIC FURNACE.....	30
<b>ABM</b> SERIES MULTI -POSITION HYDRONIC AIR HANDLERS.....	33
<b>ABW</b> SERIES WALL MOUNT HYDRONIC HEAT DX COOL AIR HANDLERS.....	36
<b>AEC</b> SERIES CEILING MOUNT ELECTRIC HEAT DX COOL AIR HANDLERS.....	39
<b>AEM</b> SERIES VARIABLE SPEED MULTI -POSITION ELECTRIC HEAT DX COOL AIR HANDLERS.....	42
<b>AEW</b> SERIES VERTICAL WALL MOUNT ELECTRIC HEAT DX COOL AIR HANDLERS.....	46
<b>AFL</b> SERIES MULTI -POSITION HIGH EFFICIENCY HYDRONIC FURNACE.....	49
<b>AFM</b> SERIES HIGH EFFICIENCY X13 MULTI -POSITION HYDRONIC HEAT DX COOL AIR HANDLERS.....	53
<b>AFW</b> SERIES WALL MOUNT HYDRONIC HEAT DX COOL AIR HANDLERS.....	46
<b>CAD/WAD/MAD</b> CEILING AND WALL ACCESS DOORS.....	59

## MANUFACTURED HOUSING PRODUCTS

---

<b>AAN</b> SERIES DOWNFLOW MANUFACTURED HOME ELECTRIC FURNACE.....	61
<b>AEN</b> SERIES DOWNFLOW X13 MANUFACTURED HOME ELECTRIC FURNACE.....	64
<b>CM</b> SERIES (DX-TREME) UNCASSED DOWNFLOW COILS FOR USE W/ MFD HOME FURNACES.....	67

## LEGACY PRODUCTS

---

NOMENCLATURE.....	68
<b>22</b> SERIES R22 REPLACEMENT COILS.....	69
<b>BHA/L/C/R/232</b> SERIES SLAB HORIZONTAL COILS.....	70
<b>CP</b> SERIES (DX-TREME) DEDICATED HORIZONTAL COILS WITH PLENUM.....	71
<b>CQ</b> SERIES (DX-TREME) DEDICATED HORIZONTAL COILS W/ PLENUM AND BUILT-IN AUX. DRAIN PAN.....	72

## REFERENCE MATERIALS

---

METERING DEVICE SELECTION MATRIX.....	73
TXV CONVERSIONS (COMMERCIAL CC SERIES).....	74
SERIAL NUMBER NOMENCLATURE.....	75

# DX-treme C-Series Nomenclature

Revised 8/29/13

**C A 24 A3 G -145 L -001**

①

②

③

④

⑤

⑥

⑦

⑧

⑧ Option Code

⑦ Refrigerant and plumbing connections

L = left-hand plumbing and refrigerant connections

R = right-hand plumbing and refrigerant connections

T = refrigerant out the top, plumbing out opposite sides

⑥

CA, CM Series: Drain pan width code  
CB, CC, CE, CP, CQ, CR, CS Series: Furnace width code  
CH Series: cabinet width code

⑤ Metering device

4 = non-bleed A/C or H/P R410 TXV

6 = 20% bleed A/C or H/P R410 TXV

B = 20% bleed A/C or H/P R22 TXV

F = R-22 Flo-rater

G = R-410A Flo-rater

X = non-bleed A/C or H/P R22 TXV

④ Coil descriptor code (face area, rows, fpi)

③ Nominal tonnage (MBTUH)

② Configuration

A = uncased up/down

B = cased dedicated horizontal LaborSaver

C = cased up/down

E = cased multi-position VersaCoil

H = cased dedicated horizontal slab coil

M = manufactured home coil

P = cased dedicated horizontal with attached plenum

Q = cased dedicated horizontal with attached plenum and built-in auxiliary drain

R = cased dedicated horizontal with attached plenum and built-in auxiliary drain, 2nd generation

S = cased dedicated horizontal LaborSaver, 2nd generation

① Series

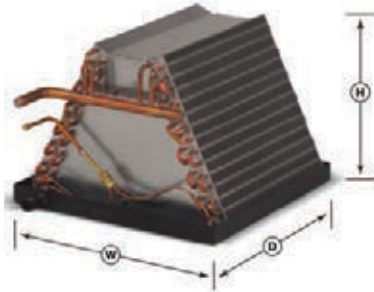
C = C Series (DX-treme)





## PRODUCT DIMENSIONS & SPECIFICATIONS

### DX-TREME CA SERIES UNCASED UPFLOW/DOWNFLOW COILS



Representative drawing only.  
Some models may vary in appearance.

#### STANDARD SPECIFICATIONS

- Rifled copper tubing, enhanced aluminum fins.
- Immersion-tested at 500 psi, then nitrogen-pressurized and sealed.
- Left- or right-hand refrigerant and plumbing connections.
- Liquid line - 3/8" ODS, suction line - 3/4" ODS on 1-1/2- 3 ton & 7/8" ODS on 3-1/2 - 5 ton.
- Externally mounted flowrater body with Schrader valve for hiss-testing.
- Heavy duty plastic drain pans on most models.
- Upflow without field modification. Downflow applications require plate kit, included.
- AHRI certifiable with all brands of A/C and heat pump systems.
- ETL listed for use with both R-22 and R-410a when proper metering device is used.
- Ten-year limited warranty.

#### POPULAR OPTIONS:

- Factory or field-installable TXV.
- Powder painted stainless steel drain pan.
- Schrader mounted on suction manifold.

RESIDENTIAL COILS / CA

COIL MODEL	FLOW RATOR SIZE		DIMENSIONS						SHIPPING INFORMATION			
			PAN WIDTHS [W]"				PAN DEPTH [D]"	BARE SLAB HEIGHT [H]"	SHIPPING WEIGHT [LBS]			SKID QTY
			R22	R410a	13	16			19-1/2	23	2 ROW	
CA24A*	0.059	0.055	13	16	19-1/2		19-3/8	13-1/2	17	27	35	30
CA24B*	0.059	0.055	13	16	19-1/2		19-3/8	15-1/2	20	31	41	25
CA24C*	0.059	0.055	13	16	19-1/2		19-3/8	17-1/2	23	36	47	25
CA24D*	0.059	0.055	13	16	19-1/2		19-3/8	19-1/2	25	40	53	20
CA30A*	0.068	0.059	13	16	19-1/2		19-3/8	15-1/2	20	31	41	25
CA30B*	0.068	0.059	13	16	19-1/2		19-3/8	17-1/2	23	36	47	25
CA30C*	0.068	0.059	13	16	19-1/2		19-3/8	19-1/2	25	40	53	20
CA30D*	0.068	0.059	13	16	19-1/2		19-3/8	21-1/2	28	45	58	16
CA30E*	0.068	0.059	13	16	19-1/2		19-3/8	21-1/2	30	47	60	16
CA36A*	0.074	0.068	13 for 2, 3R; 16 for 4R	16	19-1/2		19-3/8	17-1/2	23	36	47	25
CA36B*	0.074	0.068	13 for 2, 3R; 16 for 4R	16	19-1/2		19-3/8	19-1/2	25	40	53	20
CA36C*	0.074	0.068	13 for 2, 3R; 16 for 4R	16	19-1/2		19-3/8	21-1/2	28	45	58	16
CA36D*	0.074	0.068	13 for 2, 3R; 16 for 4R	16	19-1/2		19-3/8	23-1/2	31	49	64	12
CA42A*	0.080	0.074		16	19-1/2	23	19-3/8	19-1/2	25	40	53	20
CA42B*	0.080	0.074		16	19-1/2	23	19-3/8	21-1/2	28	45	58	16
CA42C*	0.080	0.074		16	19-1/2	23	19-3/8	23-1/2	31	49	64	12
CA42D*	0.080	0.074		16	19-1/2	23	19-3/8	25-1/2	34	54	70	12
CA48A*	0.084	0.080		16	19-1/2	23	19-3/8	21-1/2	28	45	58	16
CA48B*	0.084	0.080		16	19-1/2	23	19-3/8	23-1/2	31	49	64	12
CA48C*	0.084	0.080		16	19-1/2	23	19-3/8	25-1/2	34	54	70	12
CA48D*	0.084	0.080		16	19-1/2	23	19-3/8	27-1/2	37	58	76	12
CA48F*	0.084	0.080		16	19-1/2	23	19-3/8	25-1/2	36	56	72	12
CA48G*	0.084	0.080		16	19-1/2	23	19-3/8	27-1/2	39	60	78	12
CA60A*	0.092	0.089			19-1/2	23	19-3/8	25-1/2	34	54	70	12
CA60B*	0.092	0.089			19-1/2	23	19-3/8	27-1/2	37	58	76	12
CA60C*	0.092	0.089			19-1/2 (2)	23 (2)	21-3/4	24-1/2	38	60	79	12
CA60D*	0.092	0.089			19-1/2 (2)	23 (2)	21-3/4	26-1/2	41	65	86	12
CA60E*	0.092	0.089				24 (3)	21	26-1/2	46	73	95	12
CA60F*	0.092	0.089			19-1/2	23	19-3/8	25-1/2	41	62	80	12
CA60G*	0.092	0.089				24 (3)	21	26-1/2	48	75	97	12

Notes: 1) Do not use heavy duty polypropylene drain pans on oil furnaces or other applications where outlet temperatures may exceed 290°F +/- 5°F. Specify metal drain pans for these applications. 2) Metal drain pan. 3) Metal drain pan. Slab rotated 90°. Refrigerant and plumbing connections still exit in front. 4) Only metal drain pans are available for 13" and 16" wide 4 row coils.

Phone: 281.441.6500  
Toll Free: 800.423.9007  
Fax: 281.441.6510

[www.aspenmfg.com](http://www.aspenmfg.com)

\* For complete warranty details visit [www.aspenmfg.com](http://www.aspenmfg.com).

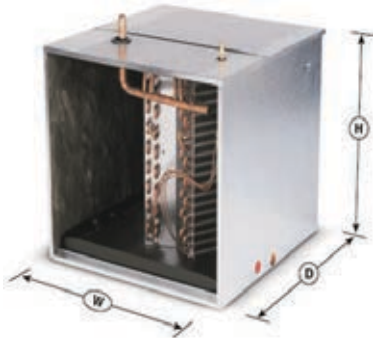


Revised 03/20/15. In keeping with its policy of continuous progress and product improvement, Aspen reserves the right to make changes without notice and incurring obligation. © 2015



**PRODUCT DIMENSIONS & SPECIFICATIONS**

**DX-TREME CB SERIES  
DEDICATED HORIZONTAL COILS**



Representative drawing only.  
Some models may vary in appearance.

**STANDARD SPECIFICATIONS**

- Rified copper tubing, enhanced aluminum fins.
- Immersion-tested at 500 psi, then nitrogen-pressurized and sealed.
- Liquid line - 3/8" ODS, suction line - 3/4" ODS on 1-1/2- 3 ton & 7/8" ODS on 3-1/2 - 5 ton.
- Inlet and outlet dimensions are identical (without end caps).
- Externally mounted flowrater body with Schrader valve for hiss-testing.
- Refrigerant lines exit from the top of the coil.
- Split access doors on top of the coil for easy service.
- Embossed galvanized cabinets standard.
- Top, bottom, and side flanges for furnace connection
- Fully insulated cabinets with faced insulation.
- Heavy duty plastic drain pan with four 3/4" FPT galvanized condensate drains (two per side). Pan is positively sloped toward drains.
- AHRI certifiable with all brands of A/C and heat pump systems.
- ETL listed for use with R-22 and R-410a when proper metering device is used.
- Ten-year limited warranty.

**POPULAR OPTIONS:**

- Factory or field-installable TXV.
- Powder painted stainless steel drain pan.
- Schrader mounted on suction manifold, external to cabinet.

COIL MODEL	PISTON SIZE		DIMENSIONS			SHIPPING INFORMATION			
	R22	R410a	CABINET WIDTH (W)"	CABINET DEPTH (D)"	MAX FURNACE WIDTH (OR HEIGHT WHEN HORZ.)	SHIPPING WEIGHT (LBS)			SKID QTY
						2 ROW	3 ROW	4 ROW	
CB24A*	0.059	0.055	22	22-3/4	16-3/4	29	37	45	16
CB24B*	0.059	0.055	22	22-3/4	16-3/4	34	44	52	16
CB24C*	0.059	0.055	22	22-3/4	20-3/4	37	47	56	16
CB24D*	0.059	0.055	22	22-3/4	20-3/4	43	55	65	16
CB30A*	0.068	0.059	22	22-3/4	16-3/4	34	44	52	16
CB30B*	0.068	0.059	22	22-3/4	16-3/4	39	50	59	16
CB30C*	0.068	0.059	22	22-3/4	20-3/4	43	55	65	16
CB30D*	0.068	0.059	22	22-3/4	20-3/4	49	62	74	16
CB30E*	0.068	0.059	22	22-3/4	20-3/4	37	47	56	16
CB36A*	0.074	0.068	22	22-3/4	16-3/4	39	50	59	16
CB36B*	0.074	0.068	22	22-3/4	16-3/4	44	56	67	16
CB36C*	0.074	0.068	22	22-3/4	20-3/4	49	62	74	16
CB36D*	0.074	0.068	22	22-3/4	20-3/4	55	70	83	16
CB36E*	0.074	0.068	22	22-3/4	20-3/4	42	53	63	16
CB42A*	0.080	0.074	22	22-3/4	18-3/4	44	56	67	16
CB42B*	0.080	0.074	22	22-3/4	18-3/4	49	63	75	16
CB42C*	0.080	0.074	22	22-3/4	22-3/4	54	69	82	12
CB42D*	0.080	0.074	22	22-3/4	22-3/4	60	77	92	12
CB42E*	0.080	0.074	22	22-3/4	22-3/4	47	60	71	12
CB48A*	0.084	0.080	22	22-3/4	20-3/4	49	63	75	16
CB48B*	0.084	0.080	22	22-3/4	20-3/4	55	70	83	16
CB48C*	0.084	0.080	22	22-3/4	24-3/4	60	77	92	12
CB48D*	0.084	0.080	22	22-3/4	24-3/4	67	86	102	12
CB48E*	0.084	0.080	22	22-3/4	24-3/4	52	67	79	12
CB60A*	0.092	0.089	22	22-3/4	24-3/4	60	77	92	12
CB60B*	0.092	0.089	22	22-3/4	24-3/4	67	86	102	12
CB60C*	0.092	0.089	22	22-3/4	26-3/4	71	91	108	12
CB60D* (1)	0.092	0.089	22	25	26-3/4	79	101	120	12
CB60E*	0.092	0.089	22	22-3/4	26-3/4	64	82	97	12
CB60F*	0.092	0.089	22	22-3/4	20-3/4	55	70	83	16
CB60G*	0.092	0.089	22	22-3/4	24-3/4	69	88	104	12

Note: (1) Primary pan constructed of powder-painted galvanized steel. If ordering auxiliary pan, please specify #1823.

Phone: 281.441.6500  
Toll Free: 800.423.9007  
Fax: 281.441.6510  
[www.aspenmfg.com](http://www.aspenmfg.com)



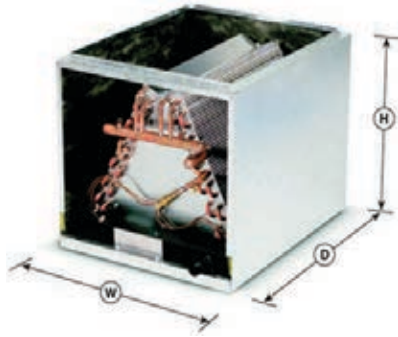
\* For complete warranty details visit [www.aspenmfg.com](http://www.aspenmfg.com).

Revised 04/02/14. In keeping with its policy of continuous progress and product improvement, Aspen reserves the right to make changes without notice and incurring obligation. © 2014



## PRODUCT DIMENSIONS & SPECIFICATIONS

### DX-TREME CC SERIES CASED UPFLOW/DOWNFLOW COILS



Unit shown with service panels removed. Representative drawing only. Some models may vary in appearance.

#### STANDARD SPECIFICATIONS

- Rifled copper tubing, enhanced aluminum fins.
- Immersion-tested at 500 psi, then nitrogen-pressurized and sealed.
- Left- or right-hand refrigerant and plumbing connections.
- Liquid line - 3/8" ODS, suction line - 3/4" ODS on 1-1/2-3 ton & 7/8" ODS on 3-1/2 - 5 ton.
- Externally mounted flowwater body with Schrader valve for hiss-testing.
- Heavy duty plastic drain pans on most models.
- Embossed galvanized cabinets standard. Cabinets feature furnace connectors (patent pending).
- Upflow without field modification. Downflow applications require plate kit, included.
- Split access doors in front for easy service.
- Fully insulated cabinets with faced insulation.
- Ten-year limited warranty.
- AHRI certifiable with all brands of A/C and heat pump systems.
- ETL listed for use with R22 and R410a when proper metering device is used.

#### POPULAR OPTIONS:

- Factory or field-installable TXV available.
- Painted cabinets.
- Powder-painted metal or stainless pans.
- Schrader mounted on suction manifold, external to cabinet.
- Bikini cabinets.

RESIDENTIAL COILS CC

COIL MODEL	PISTON SIZE		DIMENSIONS				SHIPPING INFORMATION			
			CABINET WIDTH [W]"		CABINET DEPTH [D]"	CABINET HEIGHT [H]"	SHIPPING WEIGHT (LBS)			SKID QTY
			MIN WIDTH	MAX WIDTH			2 ROW	3 ROW	4 ROW	
CC24A*	0.059	0.055	14	23	21-1/2	16	29	37	45	20
CC24B*	0.059	0.055	14	23	21-1/2	16	34	44	52	20
CC24C*	0.059	0.055	14	23	21-1/2	20	39	50	59	16
CC24D*	0.059	0.055	14	23	21-1/2	20	44	56	67	16
CC30A*	0.068	0.059	14	23	21-1/2	16	34	44	52	20
CC30B*	0.068	0.059	14	23	21-1/2	20	39	50	59	16
CC30C*	0.068	0.059	14	23	21-1/2	20	44	56	67	16
CC30D*	0.068	0.059	14	23	21-1/2	24	49	62	74	12
CC30E*	0.068	0.059	14	23	21-1/2	24	51	64	76	12
CC36A*	0.074	0.068	14 for 2, 3R; 17 for 4R	23	21-1/2	20	39	50	59	16
CC36B*	0.074	0.068	14 for 2, 3R; 17 for 4R	23	21-1/2	20	44	56	67	16
CC36C*	0.074	0.068	14 for 2, 3R; 17 for 4R	23	21-1/2	24	49	62	74	12
CC36D*	0.074	0.068	14 for 2, 3R; 17 for 4R	23	21-1/2	24	54	69	82	12
CC42A*	0.080	0.074	17	26-1/2	21-1/2	20	44	56	67	16
CC42B*	0.080	0.074	17	26-1/2	21-1/2	24	49	62	74	12
CC42C*	0.080	0.074	17	26-1/2	21-1/2	24	54	69	82	12
CC42D*	0.080	0.074	17	26-1/2	21-1/2	28	58	75	89	12
CC48A*	0.084	0.080	17	26-1/2	21-1/2	24	49	62	74	12
CC48B*	0.084	0.080	17	26-1/2	21-1/2	24	54	69	82	12
CC48C*	0.084	0.080	17	26-1/2	21-1/2	28	58	75	89	12
CC48D*	0.084	0.080	17	26-1/2	21-1/2	28	63	81	96	12
CC48F*	0.084	0.080	17	26-1/2	21-1/2	28	60	77	91	12
CC48G*	0.084	0.080	17	26-1/2	21-1/2	28	65	83	98	12
CC60A*	0.092	0.089	20-1/2	26-1/2	21-1/2	28	58	75	89	12
CC60B*	0.092	0.089	20-1/2	26-1/2	21-1/2	28	63	81	96	12
CC60C* (5)	0.092	0.089	20-1/2	26-1/2	23	28	66	84	100	12
CC60D* (5)	0.092	0.089	20-1/2	26-1/2	23	28	71	91	108	12
CC60E* (3)	0.092	0.089	24-1/2	26-1/2	21-1/2	28	79	101	120	12
CC60F*	0.092	0.089	20-1/2	26-1/2	21-1/2	28	60	77	91	12
CC60G* (3)	0.092	0.089	24-1/2	26-1/2	21-1/2	28	81	103	122	12

Notes: 1) Not all drain pan sizes are currently available in heavy duty plastic. Check with your local Aspen representative for current availability. 2) Do not use heavy duty plastic drain pans on oil furnaces or other applications where outlet temperatures may exceed 290°F +/-5°F. Specify metal drain pans for these applications. 3) Metal drain pan. Slab is rotated 90° inside cabinet. Refrigerant and plumbing connections still exit cabinet front. 4) Top duct opening size can be obtained by subtracting 1-1/2 from width or depth. Bottom duct opening size can be obtained by subtracting 3/4 from width or depth. 5) Metal drain pan.

Phone: 281.441.6500  
Toll Free: 800.423.9007  
Fax: 281.441.6510  
[www.aspenmfg.com](http://www.aspenmfg.com)



\* For complete warranty details visit [www.aspenmfg.com](http://www.aspenmfg.com).

Revised 04/02/14. In keeping with its policy of continuous progress and product improvement, Aspen reserves the right to make changes without notice and incurring obligation. © 2014





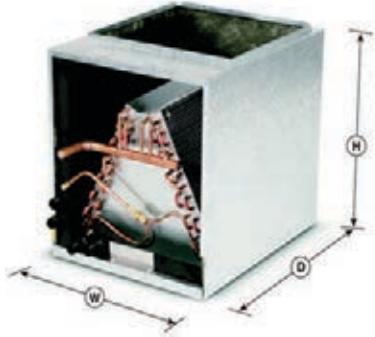
# PRODUCT DIMENSIONS & SPECIFICATIONS



## DX-TREME CE SERIES CASED MULTI-POSITION COILS

### STANDARD SPECIFICATIONS

- Rified copper tubing, enhanced aluminum fins.
- Immersion-tested at 500 psi, then nitrogen-pressurized and sealed.
- Left- or right-hand refrigerant and plumbing connections.
- Liquid line - 3/8" ODS, suction line - 3/4" ODS on 1-1/2- 3 ton & 7/8" ODS on 3-1/2 - 5 ton.
- Externally mounted flowrater body with Schrader valve for hiss-testing.
- Heavy duty plastic upflow drains pans on most models, powder coated galvanized steel horizontal drain pans standard on all.
- Embossed galvanized cabinets standard. Cabinets feature furnace connectors (patent pending).
- Upflow, horizontal right, or horizontal left without field modification. Downflow applications require plate kit, included.
- Split access doors in front for easy service.
- Fully insulated cabinets with faced insulation.
- Ten-year limited warranty.
- AHRI certifiable with all brands of A/C and heat pump systems.
- ETL listed for use with R22 and R410a when proper metering device is used.



Unit shown with service panels removed. Representative drawing only. Some models may vary in appearance.

### POPULAR OPTIONS:

- Factory or field-installable TXV available.
- Painted cabinets.
- Powder-painted metal or stainless pans.
- Schrader mounted on suction manifold, external to cabinet.

**Plenum Dimensions:** Top duct opening size can be obtained by subtracting 1-1/2 from width or depth.  
Bottom duct opening size can be obtained by subtracting 3/4 from width or depth.

COIL MODEL	PISTON SIZE		DIMENSIONS				SHIPPING INFORMATION			
			CABINET WIDTH [W]"		CABINET DEPTH [D]"	CABINET HEIGHT [H]"	SHIPPING WEIGHT [LBS]			SKID QTY
			MIN WIDTH	MAX WIDTH			2 ROW	3 ROW	4 ROW	
CE24A*	0.059	0.055	14	23	21-1/2	19	31	39	46	20
CE24B*	0.059	0.055	14	23	21-1/2	19	36	45	54	20
CE24C*	0.059	0.055	14	23	21-1/2	23	41	52	61	12
CE24D*	0.059	0.055	14	23	21-1/2	23	46	58	69	12
CE30A*	0.068	0.059	14	23	21-1/2	19	36	45	54	20
CE30B*	0.068	0.059	14	23	21-1/2	23	41	52	61	12
CE30C*	0.068	0.059	14	23	21-1/2	23	46	58	69	12
CE30D*	0.068	0.059	14	23	21-1/2	27	52	65	77	12
CE30E*	0.068	0.059	14	23	21-1/2	27	54	67	79	12
CE36A*	0.074	0.068	14 for 2, 3R; 17 for 4R	23	21-1/2	23	41	52	61	12
CE36B*	0.074	0.068	14 for 2, 3R; 17 for 4R	23	21-1/2	23	46	58	69	12
CE36C*	0.074	0.068	14 for 2, 3R; 17 for 4R	23	21-1/2	27	52	65	77	12
CE36D*	0.074	0.068	14 for 2, 3R; 17 for 4R	23	21-1/2	27	57	71	84	12
CE42A*	0.080	0.074	17	26-1/2	21-1/2	23	46	58	69	12
CE42B*	0.080	0.074	17	26-1/2	21-1/2	27	52	65	77	12
CE42C*	0.080	0.074	17	26-1/2	21-1/2	27	57	71	84	12
CE42D*	0.080	0.074	17	26-1/2	21-1/2	30	62	78	92	10
CE48A*	0.084	0.080	17	26-1/2	21-1/2	27	52	65	77	12
CE48B*	0.084	0.080	17	26-1/2	21-1/2	27	57	71	84	12
CE48C*	0.084	0.080	17	26-1/2	21-1/2	30	62	78	92	10
CE48D*	0.084	0.080	17	26-1/2	21-1/2	30	67	84	100	10
CE48F*	0.084	0.080	17	26-1/2	21-1/2	30	64	80	94	10
CE48G*	0.084	0.080	17	26-1/2	21-1/2	30	69	86	102	10
CE60A*	0.092	0.089	20-1/2	26-1/2	21-1/2	30	62	78	92	10
CE60B*	0.092	0.089	20-1/2	26-1/2	21-1/2	30	67	84	100	10
CE60C* (4)	0.092	0.089	20-1/2	26-1/2	23	30	70	88	104	10
CE60D* (4)	0.092	0.089	20-1/2	26-1/2	23	30	76	95	112	10
CE60F*	0.092	0.089	20-1/2	26-1/2	21-1/2	30	64	80	94	10

Notes: 1) Not all drain pan sizes are currently available in heavy duty plastic. Check with your local Aspen representative for current availability. 2) Do not use heavy duty plastic drain pans on oil furnaces or other applications where outlet temperatures may exceed 290°F +/-5°F. Specify metal drain pans for these applications. 3) Metal drain pan.

Phone: 281.441.6500  
Toll Free: 800.423.9007  
Fax: 281.441.6510  
[www.aspenmfg.com](http://www.aspenmfg.com)



\* For complete warranty details visit [www.aspenmfg.com](http://www.aspenmfg.com).

Revised 11/23/15. In keeping with its policy of continuous progress and product improvement, Aspen reserves the right to make changes without notice and incurring obligation. © 2015



## PRODUCT DIMENSIONS & SPECIFICATIONS

### DX-TREME CH SERIES SLAB HORIZONTAL COILS



Representative drawing only.  
Some models may vary in appearance.

#### STANDARD SPECIFICATIONS

- Rified copper tubing, enhanced aluminum fins.
- Immersion-tested at 500 psi, then nitrogen-pressurized and sealed.
- Liquid line - 3/8" ODS, suction line - 3/4" ODS on 1-1/2- 3 ton & 7/8" ODS on 3-1/2 - 5 ton.
- Two 3/4" FPT condensate drains (primary and secondary)
- Powder-painted stainless steel drain pans.
- Externally mounted flowrater body with Schrader valve for hiss-testing..
- Split access doors for easy service.
- Fully insulated cabinets with faced insulation.
- AHRI certifiable with all brands of A/C and heat pump systems.
- ETL listed for use with both R-22 and R-410a when proper metering device is used.
- Ten-year limited warranty.

#### POPULAR OPTIONS:

- Factory or field-installable TXV.
- Schrader mounted on suction manifold, external to cabinet.

RESIDENTIAL COILS / CH

COIL MODEL	FLOW RATOR SIZE		DIMENSIONS					SHIPPING INFORMATION			
			WIDTH	HEIGHT	OPENING		LENGTH	SHIPPING WEIGHT (LBS)			SKID QTY
	R22	R410a	A	B	C	D	E	2 ROW	3 ROW	4 ROW	
CH24A*	0.059	0.055	10	23-1/2	21	16	21-1/2	20	34	N/A	14
CH24B*	0.059	0.055	10	23-1/2	21	24	29-1/2	29	43	N/A	14
CH36A*	0.074	0.068	10	23-1/2	21	24	29-1/2	29	43	N/A	14
CH36B*	0.074	0.068	10	23-1/2	21	30	35-1/2	35	49	N/A	14
CH48A*	0.084	0.080	10	23-1/2	21	30	35-1/2	35	49	N/A	14
CH48B*	0.084	0.080	10	23-1/2	21	36	41-1/2	42	56	N/A	8
CH60A*	0.092	0.089	10	23-1/2	21	36	41-1/2	N/A	56	70	8
CH60B*	0.092	0.089	10	23-1/2	21	42	47-1/2	N/A	66	80	8

Phone: 281.441.6500  
Toll Free: 800.423.9007  
Fax: 281.441.6510  
[www.aspenmfg.com](http://www.aspenmfg.com)



\* For complete warranty details visit [www.aspenmfg.com](http://www.aspenmfg.com).

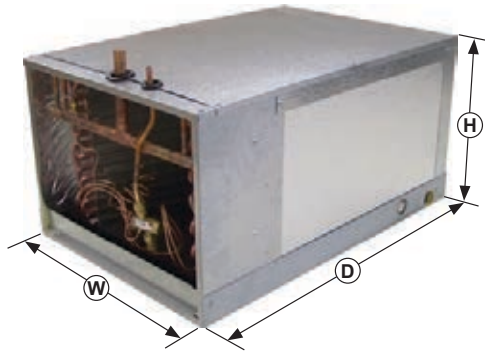
Revised 04/02/14. In keeping with its policy of continuous progress and product improvement, Aspen reserves the right to make changes without notice and incurring obligation. © 2014



# PRODUCT DIMENSIONS & SPECIFICATIONS



## DX-TREME CR SERIES DEDICATED HORIZONTAL PLENUM COIL WITH BUILT-IN AUXILIARY DRAIN PAN



Representative image only. Some models may vary in appearance. Due to continuous product improvement, specifications are subject to change without notice.

### STANDARD SPECIFICATIONS

- Rified copper tubing, enhanced aluminum fins
- Immersion-tested at 500 psi, then nitrogen-pressurized and sealed
- Liquid line - 3/8" ODS, suction line - 3/4" ODS on 1-1/2-3 ton & 7/8" ODS on 3-1/2 - 5 ton.
- Externally mounted flowrater body or internally mounted factory-installed TXV
- Schrader valve on liquid line for hiss-testing
- Refrigerant lines exit top of coil
- Split access doors on top of coil for easy service
- Plastic drain pans (primary and secondary)
- Built-in auxiliary drain pan with 3/4" FPT
- Plenum sides and end constructed of foil-backed faced fiberglass ductboard. Plenum top and bottom constructed of galvanized steel
- AHRI certifiable with all brands of A/C and heat pump systems
- ETL listed for use with R-22 and R-410a when proper metering device is used
- Patent pending design
- Ten-year limited warranty with registration

COIL MODEL	R410a PISTON SIZE	DIMENSIONS			SHIPPING INFORMATION			
		CABINET WIDTH [W]"	CABINET DEPTH [D]"	CABINET HEIGHT [H]"	SHIPPING WEIGHT (LBS)			SKID QTY
					2 ROW	3 ROW	4 ROW	
CR24A*	0.055	20-1/2	31	15-1/2	42	51		8
CR24B*	0.055	20-1/2	31	19-1/2	47	56		8
CR24C*	0.055	20-1/2	31	23-1/2	57	69		8
CR30A*	0.059	20-1/2	31	15-1/2	48	58		8
CR30B*	0.059	20-1/2	31	19-1/2	47	56		8
CR30C*	0.059	20-1/2	31	23-1/2	57	69		8
CR36A*	0.068	20-1/2	31	15-1/2	55	66		8
CR36B*	0.068	20-1/2	31	19-1/2	55	66		8
CR36C*	0.068	20-1/2	31	23-1/2	57	69		8
CR36D*	0.068	20-1/2	31	19-1/2	93	112		8
CR42A*	0.074	20-1/2	40	19-1/2	62	75		8
CR42B*	0.074	20-1/2	40	23-1/2	67	80		8
CR42C*	0.074	20-1/2	40	25-1/2	62	75		8
CR48A*	0.08	20-1/2	40	23-1/2	76	92		8
CR48B*	0.08	20-1/2	40	25-1/2	73	87		8
CR48C*	0.08	20-1/2	40	25-1/2	93	112	135	8
CR60A*	0.089	20-1/2	40	23-1/2	124	149		8
CR60B*	0.089	20-1/2	40	25-1/2	125	150	180	8

Phone: 281.441.6500  
Toll Free: 800.423.9007  
Fax: 281.441.6510  
[www.aspenmfg.com](http://www.aspenmfg.com)



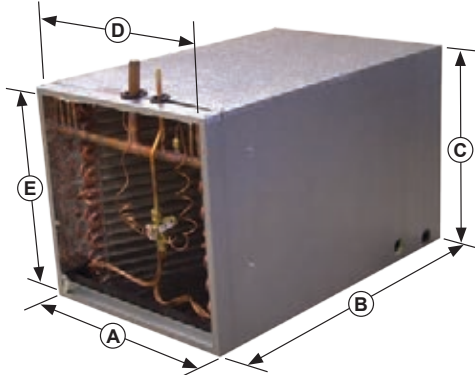
\* For complete warranty details visit [www.aspenmfg.com](http://www.aspenmfg.com).

Revised 01/06/15. In keeping with its policy of continuous progress and product improvement, Aspen reserves the right to make changes without notice and incurring obligation. © 2015



## PRODUCT DIMENSIONS & SPECIFICATIONS

### DX-TREME CS SERIES DEDICATED HORIZONTAL COILS



Representative image only. Some models may vary in appearance. Due to continuous product improvement, specifications are subject to change without notice.

#### STANDARD SPECIFICATIONS

- Rifled copper tubing, enhanced aluminum fins.
- Immersion-tested at 500 psi, then nitrogen-pressurized and sealed.
- Liquid line - 3/8" ODS, suction line - 3/4" ODS on 1-1/2-3 ton & 7/8" ODS on 3-1/2 - 5 ton.
- Inlet and outlet dimensions are identical (without end caps).
- Externally mounted flowrater body with Schrader valve for hiss-testing or internally mounted factory-installed TXV.
- Refrigerant lines exit from the top of the coil.
- Split access doors on top of the coil for easy service.
- Embossed galvanized cabinets standard.
- Top, bottom, and side flanges for furnace connection
- Fully insulated cabinets with faced insulation.
- Heavy duty plastic drain pan with four 3/4" FPT condensate drains (two per side).
- AHRI certifiable with all brands of A/C and heat pump systems.
- ETL listed for use with R-22 and R-410a when proper metering device is used.
- Ten-year limited warranty with registration

RESIDENTIAL COILS / CS

COIL MODEL	R410a PISTON SIZE	DIMENSIONS					SHIPPING INFORMATION			
		Cabinet Width [A]	Cabinet Depth [B]	Cabinet Height [C]	Inside Width [D]	Inside Height [E]	SHIPPING WEIGHT [LBS]			SKID QTY
							2 ROW	3 ROW	4 ROW	
CS24A*	0.055	19 1/2	31	15	18 1/4	14	35	45	N/A	16
CS24B*	0.055	19 1/2	31	19	18 1/4	18	39	50	N/A	16
CS24C*	0.055	19 1/2	31	23	18 1/4	22	47	61	N/A	16
CS30A*	0.059	19 1/2	31	15	18 1/4	14	40	52	N/A	16
CS30B*	0.059	19 1/2	31	19	18 1/4	18	39	50	N/A	16
CS30C*	0.059	19 1/2	31	23	18 1/4	22	47	61	N/A	16
CS36A*	0.068	19 1/2	31	15	18 1/4	14	45	58	N/A	16
CS36B*	0.068	19 1/2	31	19	18 1/4	18	45	58	N/A	16
CS36C*	0.068	19 1/2	31	23	18 1/4	22	47	61	N/A	12
CS36D*	0.068	19 1/2	31	19	18 1/4	18	78	100	N/A	16
CS42A*	0.074	19 1/2	31	19	18 1/4	18	52	66	N/A	16
CS42B*	0.074	19 1/2	31	23	18 1/4	22	55	71	N/A	16
CS42C*	0.074	19 1/2	31	25	18 1/4	24	52	66	N/A	12
CS48A*	0.08	19 1/2	31	23	18 1/4	22	63	81	N/A	12
CS48B*	0.08	19 1/2	31	25	18 1/4	24	60	78	N/A	12
CS48C*	0.08	19 1/2	31	25	18 1/4	24	78	100	128	12
CS60A*	0.089	19 1/2	31	23	18 1/4	22	103	132	N/A	12
CS60B*	0.089	19 1/2	31	25	18 1/4	24	104	133	171	12

Phone: 281.441.6500  
Toll Free: 800.423.9007  
Fax: 281.441.6510  
[www.aspenmfg.com](http://www.aspenmfg.com)



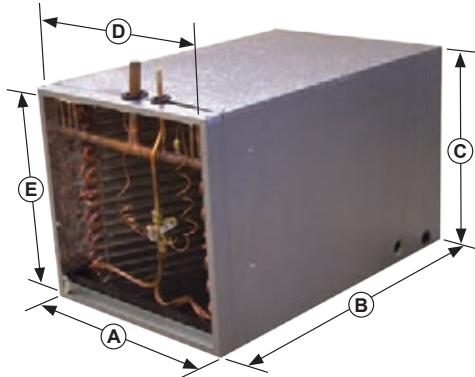
\* For complete warranty details visit [www.aspenmfg.com](http://www.aspenmfg.com).

Revised 02/15/16. In keeping with its policy of continuous progress and product improvement, Aspen reserves the right to make changes without notice and incurring obligation. © 2016



**PRODUCT DIMENSIONS & SPECIFICATIONS**

**DX-TREME CT SERIES  
DEDICATED HORIZONTAL COILS**



**STANDARD SPECIFICATIONS**

- Rifled copper tubing, enhanced aluminum fins.
- Immersion-tested at 500 psi, then nitrogen-pressurized and sealed.
- Liquid line - 3/8" ODS, suction line - 3/4" ODS on 1-1/2- 3 ton & 7/8" ODS on 3-1/2 - 5 ton.
- Inlet and outlet dimensions are identical (without end caps).
- Externally mounted flowrate body with Schrader valve for hiss-testing or internally mounted factory-installed TXV.
- Refrigerant lines exit from the top of the coil.
- Split access doors on top of the coil for easy service.
- Embossed galvanized cabinets standard.
- Top, bottom, and side flanges for furnace connection
- Fully insulated cabinets with faced insulation.
- Heavy duty plastic drain pan with four 3/4" FPT condensate drains (two per side).
- AHRI certifiable with all brands of A/C and heat pump systems.
- ETL listed for use with R-22 and R-410a when proper metering device is used.
- Ten-year limited warranty with registration

Representative image only. Some models may vary in appearance. Due to continuous product improvement, specifications are subject to change without notice.

COIL MODEL	R410a PISTON SIZE	DIMENSIONS					SHIPPING INFORMATION			
		Cabinet Width [A]	Cabinet Depth [B]	Cabinet Height [C]	Inside Width [D]	Inside Height [E]	SHIPPING WEIGHT (LBS)			SKID QTY
							2 ROW	3 ROW	4 ROW	
CT24A*	0.055	21 1/4	31	15	20 1/4	14	35	45	N/A	16
CT24B*	0.055	21 1/4	31	19	20 1/4	18	39	50	N/A	16
CT24C*	0.055	21 1/4	31	23	20 1/4	22	47	61	N/A	16
CT30A*	0.059	21 1/4	31	15	20 1/4	14	40	52	N/A	16
CT30B*	0.059	21 1/4	31	19	20 1/4	18	39	50	N/A	16
CT30C*	0.059	21 1/4	31	23	20 1/4	22	47	61	N/A	16
CT36A*	0.068	21 1/4	31	15	20 1/4	14	45	58	N/A	16
CT36B*	0.068	21 1/4	31	19	20 1/4	18	45	58	N/A	16
CT36C*	0.068	21 1/4	31	23	20 1/4	22	47	61	N/A	12
CT36D*	0.068	21 1/4	31	19	20 1/4	18	78	100	N/A	16
CT42A*	0.074	21 1/4	31	19	20 1/4	18	52	66	N/A	16
CT42B*	0.074	21 1/4	31	23	20 1/4	22	55	71	N/A	16
CT42C*	0.074	21 1/4	31	25	20 1/4	24	52	66	N/A	12
CT48A*	0.08	21 1/4	31	23	20 1/4	22	63	81	N/A	12
CT48B*	0.08	21 1/4	31	25	20 1/4	24	60	78	N/A	12
CT48C*	0.08	21 1/4	31	25	20 1/4	24	78	100	128	12
CT60A*	0.089	21 1/4	31	23	20 1/4	22	103	132	N/A	12
CT60B*	0.089	21 1/4	31	25	20 1/4	24	104	133	171	12

Phone: 281.441.6500  
Toll Free: 800.423.9007  
Fax: 281.441.6510  
[www.aspenmfg.com](http://www.aspenmfg.com)



\* For complete warranty details visit [www.aspenmfg.com](http://www.aspenmfg.com).

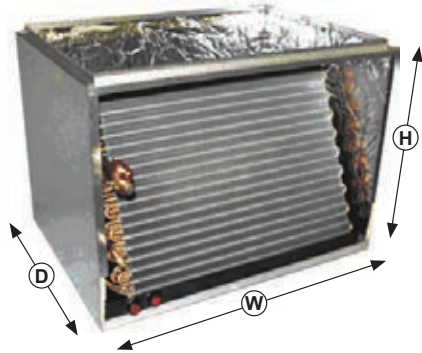
Revised 02/15/16. In keeping with its policy of continuous progress and product improvement, Aspen reserves the right to make changes without notice and incurring obligation. © 2016





## PRODUCT DIMENSIONS & SPECIFICATIONS

### DX-TREME CC SERIES LIGHT COMMERCIAL CASED UPFLOW COILS



Unit shown with service panels removed. Representative drawing only. Some models may vary in appearance.

#### STANDARD SPECIFICATIONS

- Riffed copper tubing, aluminum fins.
- Immersion-tested at 500 psi, then nitrogen-pressurized and sealed.
- 3/4" FPT plumbing connections
- Left-hand refrigerant and plumbing connections.
- Factory-mounted TXV (R-410a - AC & HP compatible, R22 - AC only).
- Powder-painted galvanized steel drain pans. Stainless available.
- Embossed galvanized cabinets standard. Cabinets feature furnace connectors (patent pending).
- Upflow only. (Slab horizontal coils also available.)
- Split access doors in front for easy service.
- Fully insulated cabinets with faced insulation.
- Five-year limited warranty.
- ETL listed for use with R410a when proper metering device is used.

COIL MODEL	DIMENSIONS				SUCTION LINE	LIQUID LINE	SHIPPING INFORMATION	
	CABINET WIDTH [W]"		CABINET DEPTH [D]"	CABINET HEIGHT [H]"			SHIPPING WEIGHT (LBS)	SKID QTY
	MIN WIDTH	MAX WIDTH						
<b>SINGLE CIRCUIT COILS</b>								
CC072A34-XXXX-000	30	36	21-1/2	22	7/8	3/8	84	4
CC072B34-XXXX-000	36	42	21-1/2	22	7/8	3/8	105	4
CC072C34-XXXX-000	42	48	21-1/2	22	7/8	3/8	126	4
CC090A34-XXXX-000	36	42	21-1/2	22	1-1/8	1/2	105	4
CC090B34-XXXX-000	42	48	21-1/2	22	1-1/8	1/2	126	4
CC090C34-XXXX-000	48	54	21-1/2	22	1-1/8	1/2	147	4
CC120A34-XXXX-000	36	42	21-1/2	22	1-1/8	1/2	105	4
CC120B34-XXXX-000	42	48	21-1/2	22	1-1/8	1/2	126	4
CC120C34-XXXX-000	48	54	21-1/2	22	1-1/8	1/2	147	4
<b>DOUBLE CIRCUIT COILS</b>								
CC072A44-XXXX-120	30	36	21-1/2	22	7/8	3/8	103	4
CC072B44-XXXX-120	36	42	21-1/2	22	7/8	3/8	128	4
CC072C44-XXXX-120	42	48	21-1/2	22	7/8	3/8	154	4
CC090A44-XXXX-120	36	42	21-1/2	22	1-1/8	1/2	128	4
CC090B44-XXXX-120	42	48	21-1/2	22	1-1/8	1/2	154	4
CC090C44-XXXX-120	48	54	21-1/2	22	1-1/8	1/2	180	4
CC120A44-XXXX-120	36	42	21-1/2	22	1-1/8	1/2	128	4
CC120B44-XXXX-120	42	48	21-1/2	22	1-1/8	1/2	154	4
CC120C44-XXXX-120	48	54	21-1/2	22	1-1/8	1/2	180	4

Notes: Slabs are oriented with delta plates facing the side walls of the cabinet. Refrigerant and plumbing connections exit cabinet front. Top duct opening size can be obtained by subtracting 1-1/2 from width or depth. Bottom duct opening size can be obtained by subtracting 3/4 from width or depth.

Dual Circuit Commercial Coils	Single Circuit R22 TXV	Single Circuit R410A TXV	Dual Circuit Use 2 R22 TXV	Dual Circuit Use 2 R410A TXV
CC72**[*]	(X) 4195	(4) 4202	(X) 4190	(4) 4200
CC90**[*]	(X) 3946	(4) 3947+3948	(X) 4195	(4) 4202
CC120**[*]	(X) 3940	(4) 3947+3948	(X) 4195	(4) 4202

Phone: 281.441.6500  
Toll Free: 800.423.9007  
Fax: 281.441.6510  
[www.aspenmfg.com](http://www.aspenmfg.com)



\* For complete warranty details visit [www.aspenmfg.com](http://www.aspenmfg.com).

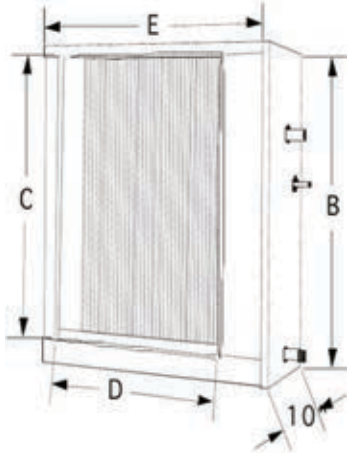
Revised 11/29/16. In keeping with its policy of continuous progress and product improvement, Aspen reserves the right to make changes without notice and incurring obligation. © 2016

LIGHT COMMERCIAL COILS

## PRODUCT DIMENSIONS & SPECIFICATIONS



### BH LIGHT COMMERCIAL SLAB HORIZONTAL COILS SINGLE OR SPLIT CIRCUIT



#### GENERAL SPECIFICATIONS

- Standard refrigerant connections: liquid line - 3/8" ODS, suction line - 7/8" ODS
- One 3/4" MPT condensate drain.
- Powder-painted galvanized steel drain pan. Stainless available.
- Five-year limited warranty.
- Factory installed 20% bleed port TXV[s] standard. (see note for TXV options)
- Single circuit. Dual circuitry available.
- Dual circuit coils can be split top-to-bottom or interfaced.
- Front access panel for easy service.
- Every coil immersion-tested at 450 psi, then nitrogen-pressurized and sealed.
- Heavy gauge embossed galvanized cabinets fully lined with 1/2" faced insulation.
- Rifled copper tubing, enhanced aluminum fins.
- ETL listed.

Representative image only. Some models may vary in appearance. Due to continuous product improvement, specifications are subject to change without notice.

COIL MODEL	DIMENSIONS			
	HEIGHT (B)"	OPENING		LENGTH (E)"
		(C)"	(D)"	
BHA24 36+X*	23-1/2	21	24	29-1/2
BHA40 48+X*	23-1/2	21	29	34-1/2
BHA40 60+X*	25	21	29	34-1/2
BH132 72+X*	25-1/2	21	36	41-1/2
BH332 72+X*	25-1/2	21	42	47-1/2
BH132 90+X*	25-1/2	21	42	47-1/2
BH332 90+X*	25-1/2	21	45	50-1/2
BH132 120+X*	25-1/2	21	42	47-1/2
BH332 120+X*	25-1/2	21	45	50-1/2
BHA24 36+X* SPL	23-1/2	21	24	29-1/2
BHA40 48+X* SPL	23-1/2	21	29	34-1/2
BHA40 60+X* SPL	25	21	29	34-1/2
BH140 72+X* SPL	25-1/2	21	36	41-1/2
BH340 72+X* SPL	25-1/2	21	42	47-1/2
BH140 90+X* SPL	25-1/2	21	42	47-1/2
BH340 90+X* SPL	25-1/2	21	45	50-1/2
BH140 120+X* SPL	25-1/2	21	42	47-1/2
BH340 120+X* SPL	25-1/2	21	45	50-1/2

TXV offering (factory installed): Order X4 for R410 or X1 for R22

Phone: 281.441.6500  
Toll Free: 800.423.9007  
Fax: 281.441.6510  
[www.aspenmfg.com](http://www.aspenmfg.com)



\* For complete warranty details visit [www.aspenmfg.com](http://www.aspenmfg.com).

Revised 06/01/15. In keeping with its policy of continuous progress and product improvement, Aspen reserves the right to make changes without notice and incurring obligation. © 2015

# A Series DX-treme Air Handler Nomenclature

Effective 8/01/06. Revised 8/29/13

**A A M 18 G -001**

①

②

③

④

⑤

⑥

⑥ Option Code

⑤ Metering device

4 = non-bleed A/C or H/P R410 TXV  
6 = 20% bleed A/C or H/P R410 TXV  
B = 20% bleed A/C or H/P R22 TXV  
F = R-22 Flo-rater  
G = R-410A Flo-rater  
X = non-bleed A/C or H/P R22 TXV

④ Nominal tonnage (MBTUH)

③ Configuration

C = Ceiling Mount (End Discharge)  
L = Multi-Position Electric Furnace  
M = Multi-Position  
N = Manufactured Home  
W = Wall Mount

② Voltage

A = 240V PSC Motor  
B = 120V PSC Motor  
E = 240V Constant Torque ECM  
F = 120V Constant Torque ECM

① A = Air Handler

AIR HANDLERS

# Electric Heat Kit Nomenclature

Effective 8/01/06. Revised 8/29/13

**E** **C** **S** **10**  
① ② ③ ④

- ④ **Heat Strip**  
00 = NO Heat  
03 = 3 KW  
05 = 5 KW  
06 = 6 KW  
08 = 8 KW  
10 = 10 KW  
12 = 12 KW (3-phase Circuit Only)  
15 = 15 KW  
20 = 20 KW  
24 = 24 KW (3-phase Circuit Only)  
25 = 25 KW  
30 = 30 KW
- ③ **L = Large Cabinet (42-61)**  
**S = Small Cabinet (18-36)**
- ② **Power Connection**  
3 = 3-phase Circuit Breaker  
4 = 3-phase Terminal Block  
C = Circuit Breaker  
P = Circuit Breaker W/Single Point Block  
T = Terminal Block
- ① **E = Electric Heat Kit**  
E = Fits AAM, AEM Series  
F = Fits AAW, AEW  
G = Fits AAC, AEC

# Hydronic Heat Kit Nomenclature

Revised 3/2/16

**W** **C** **2** **S** **P**  
① ② ③ ④ ⑤

- ⑤ **Pump**  
L = Less Pump and Check Valve  
P = with Standard Pump and Check Valve  
R = with 009 High Pressure Drop Pump  
8 = with 008 High Pressure Drop Pump
- ④ **Coil Dimensions**  
L = Fits Large Chassis (42, 48, 60, 61)  
S = Fits Small Chassis (18, 24, 30, 36)
- ③ **Hydronic Coil Rows**  
2  
3  
4
- ② **Power Connection**  
3 = 3-phase Circuit Breaker  
C = Circuit Breaker  
T = Terminal Block
- ① **W = Hydronic Heat Kit**  
W = Fits ABM, AFM Series  
U = Fits ABW, AFW  
Y = Fits ABC\*, AFC\*



## PRODUCT DIMENSIONS & SPECIFICATIONS

### AAC SERIES CEILING MOUNT ELECTRIC HEAT DX COOL AIR HANDLERS

AAC  
AIR HANDLERS

#### STANDARD FEATURES

##### APPLICATION VERSATILITY

Built in mounting tabs for ceiling or furrdown mounting. Louvered ceiling access panel has separate frame that attaches to ceiling joists. Solid access panel available for use with end return installations. Can be AHRI matched with most brands of air conditioners or heat pumps. ETL listed for use with either R22 or R410a when a proper metering device is used.

##### CABINET

Sturdy, fully insulated galvanized steel cabinet with painted front panels.

##### ELECTRICAL CONTROLS

Units available with either circuit breakers or terminal blocks. Controls easily accessible from the front for easy service. Fan time delay relay standard for increased efficiency. Electrical connections can be made from the top, left, or right.

##### ELECTRIC HEATERS

Models with electric heat include sequencers and temperature limit switches for safe, efficient operation.

##### BLOWER

Direct drive multi-speed blowers circulate air quietly and efficiently. 2-speed motors allow for precise air volume selection. Motor speeds can be easily selected via motor terminals. Blowers mounted on rails so they can be easily removed for service.

##### ELECTRONIC CIRCUIT BOARD

Electronic circuit board provides 30 secs ON/OFF blower time delay extracting more heat/cool from the coil.

##### DX COIL

High efficiency rifled copper tubes/enhanced aluminum fins provide maximum heat transfer. All coils immersion tested at 500 psi then nitrogen pressurized and factory sealed for maximum reliability. Liquid-line Schrader allows pre-installation pressure testing. Available with either orifice or TXV metering device. Field-installable bolt-on TXVs are also available. Primary & secondary condensate drain. All drain connections are 3/4" MPT. Access door allows for coil cleaning.

##### WARRANTY

Five-year limited parts warranty.

##### OPTIONS

See options menu.



Representative image only. Some models may vary in appearance. Due to continuous product improvement, specifications are subject to change without notice.



Phone: 281.441.6500  
Toll Free: 800.423.9007  
Fax: 281.441.6510  
[www.aspenmfg.com](http://www.aspenmfg.com)



\* For complete warranty details visit [www.aspenmfg.com](http://www.aspenmfg.com).

Revised 03/03/16. In keeping with its policy of continuous progress and product improvement, Aspen reserves the right to make changes without notice and incurring obligation. © 2016



## HEATING AND COOLING PERFORMANCE AND ELECTRICAL DATA

MODEL	HEAT KIT	PERFORMANCE DATA					ELECTRICAL DATA			
		NOMINAL COOLING (TONS)	HEATING [KW]		HEATING CAPACITY [MBTUH]		MIN-CIRCUIT AMPACITY		MAX FUSE OR CIRCUIT BREAKER	
			208V	240V	208V	240V	208V	240V	208V	240V
AAC18	G[C,T]S00	1.5	0.0	0.0	0.0	0.0	3.2	3.2	15.0	15.0
	G[C,T]S03		2.3	3.0	7.8	10.2	17.0	18.8	20.0	25.0
	G[C,T]S05		3.8	5.0	12.6	16.7	25.4	28.7	30.0	35.0
	G[C,T]S08		6.0	8.0	20.8	27.3	39.8	44.8	45.0	50.0
	G[C,T]S10		7.5	10.0	25.6	33.4	48.2	54.2	55.0	60.0
AAC24	G[C,T]S00	2.0	0.0	0.0	0.0	0.0	3.2	3.2	15.0	15.0
	G[C,T]S03		2.3	3.0	7.8	10.2	17.0	18.8	20.0	25.0
	G[C,T]S05		3.8	5.0	12.6	16.7	25.4	28.7	30.0	35.0
	G[C,T]S08		6.0	8.0	20.8	27.3	39.8	44.8	45.0	50.0
	G[C,T]S10		7.5	10.0	25.6	33.4	48.2	54.2	55.0	60.0
AAC30	G[C,T]S00	2.5	0.0	0.0	0.0	0.0	5.9	5.9	15.0	15.0
	G[C,T]S03		2.3	3.0	7.8	10.2	19.7	21.5	20.0	25.0
	G[C,T]S05		3.8	5.0	12.6	16.7	28.1	31.4	30.0	35.0
	G[C,T]S08		6.0	8.0	20.8	27.3	42.5	47.5	45.0	50.0
	G[C,T]S10		7.5	10.0	25.6	33.4	50.9	56.9	55.0	60.0
AAC36	G[C,T]S00	3.0	0.0	0.0	0.0	0.0	5.9	5.9	15.0	15.0
	G[C,T]S03		2.3	3.0	7.8	10.2	19.7	21.5	20.0	25.0
	G[C,T]S05		3.8	5.0	12.6	16.7	28.1	31.4	30.0	35.0
	G[C,T]S08		6.0	8.0	20.8	27.3	42.5	47.5	45.0	50.0
	G[C,T]S10		7.5	10.0	25.6	33.4	50.9	56.9	55.0	60.0

### BLOWER DATA

MODELS	MOTOR HP	MOTOR VOLTAGE	SPEED TAP	CFM V. EXTERNAL STATIC * †				
				0.10	0.20	0.30	0.40	0.50
AAC18 & AAC24	1/5	240	LOW	890	850	820	790	760
			HIGH	1020	990	975	939	890
AAC30 & AAC 36	1/3	240	LOW	1115	1070	1010	960	900
			HIGH	1230	1170	1120	1050	980

\* Dry coil with filter, † For 208V multiply by 0.90

### AIR HANDLER CHASSIS NOMENCLATURE

AAC	18	4	-001
AAC = 240V PSC Motor Ceiling Mount	Nominal tonnage (MBTUH)	<u>Metering Device</u> 4 = non-bleed A/C or H/P R410 TXV B = 20% bleed A/C or H/P R22 TXV F = R22 Flo-rater G = R410a Flo-rater X = non-bleed A/C or H/P R22 TXV	Option Code

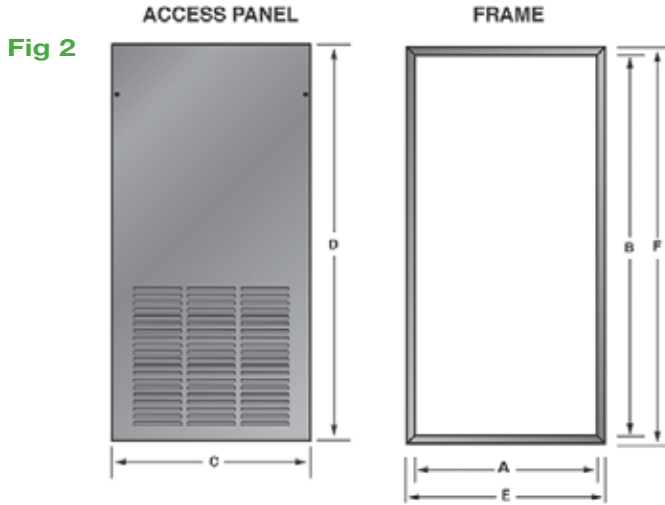
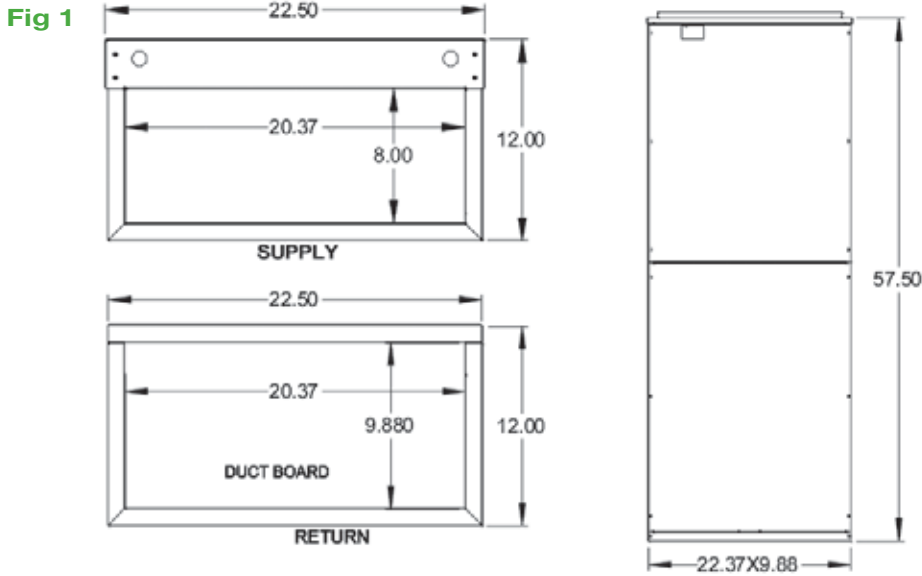
### ELECTRIC HEAT KIT NOMENCLATURE

G	C	S	03
Ceiling mount - electric heat	C = Circuit breaker T = Terminal block	S = 18 - 37	Heat strip 03 = 3 KW 05 = 5 KW 08 = 8 KW 10 = 10KW

# AIR HANDLERS AAC

INSTALLATION CLEARANCES		
	OPERATION	SERVICE
TOP	0"	0"
FRONT	0"	30"
SIDES	0"	0"
REAR	0"	0"

SPECIFICATIONS			
MODEL	PISTON SIZE	SHIP WEIGHT (LBS)	SKID QTY
AAC18	0.049	91	6
AAC24	0.055	91	6
AAC30	0.059	100	6
AAC36	0.068	100	6



ACCESS DOOR DIMENSIONS AND SPECIFICATIONS (Fig 2)								
PANEL MODEL	FOR USE WITH	OPENING SIZE		PANEL DIMENSION		FRAME DIMENSION		# OF PANELS
		A	B	C	D	E	F	
CAD-4(S/L)	AAC	22-3/4	58	24-3/4	60	24-5/8	59-7/8	2



Phone: 281.441.6500  
 Toll Free: 800.423.9007  
 Fax: 281.441.6510  
[www.aspenmfg.com](http://www.aspenmfg.com)



## PRODUCT DIMENSIONS & SPECIFICATIONS

### AAL SERIES MULTI-POSITION ELECTRIC FURNACE

#### STANDARD FEATURES

##### APPLICATION VERSATILITY

Upflow or horizontal left as shipped (field convertible for downflow or horizontal right)

##### CABINET

Sturdy, low profile galvanized steel cabinet with painted front panels. Cabinet fully insulated with 1/2" micro mat non-hygroscopic insulation to prevent sweating and mold growth, to encapsulate glass fibers, and to provide excellent R-value. Stick pins ensure insulation remains in place. Units ship with disposable filter in filter rack.

##### MODULAR ELECTRIC HEAT KITS

Heat kits available with either circuit breakers or terminal blocks. Available with 3 to 30 KW. Models with electric heat include sequencers and temperature limit switches for safe, efficient operation. Modules are easily installed in the field using molex plugs or can be ordered factory-installed. Controls are accessible from the front for easy service. Electrical connections can be made from the top or left. Disconnect does not protrude through the wall panel. Fan time delay relay standard.

##### BLOWER

Direct drive multi-speed blowers circulate air quietly and efficiently and allow for precise air volume selection. Motor speeds can be easily selected via motor terminals. Blowers mounted on rails so they can be easily removed for service.

##### WARRANTY

Five-year limited parts warranty.

##### OPTIONS

See options menu.



Representative image only. Some models may vary in appearance. Due to continuous product improvement, specifications are subject to change without notice.



AIR HANDLERS AAL

Phone: 281.441.6500  
Toll Free: 800.423.9007  
Fax: 281.441.6510  
[www.aspenmfg.com](http://www.aspenmfg.com)



\* For complete warranty details visit [www.aspenmfg.com](http://www.aspenmfg.com).

Revised 01/11/17. In keeping with its policy of continuous progress and product improvement, Aspen reserves the right to make changes without notice and incurring obligation. © 2017

## HEATING AND COOLING PERFORMANCE AND ELECTRICAL DATA

MODEL	HEAT KIT	PERFORMANCE DATA				ELECTRICAL DATA							
		NOMINAL COOLING (TONS)	HEATING (KW)		HEATING CAPACITY (MBTUH)		TOTAL UNIT AMPS		MCA MINIMUM CIRCUIT AMPACITY		MAX FUSE OR CIRCUIT BREAKER		
			208V	240V	208V	240V	208V	240V	208V	240V	208V	240V	
AALS	E(C,T)S00	1.5 & 2	0	0	0	0	1.26	1.4	1.575	1.75	15	15	
	E(C,T)S03		2.3	3	7.8	10.2	12.5	13.9	15.6	17.4	20.0	20.0	
	E(C,T)S05		3.7	4.9	12.6	16.7	19.2	21.8	24.0	27.3	25.0	30.0	
	E(C,T)S08		6.1	8	20.8	27.3	30.7	34.7	38.4	43.4	45.0	50.0	
	E(C,T)S10		7.5	9.8	25.6	33.4	37.5	42.2	46.8	52.8	50.0	55.0	
AALM	E(C,T)S00	2.5 & 3	0	0	0.0	0.0	1.4	1.4	1.8	1.8	15.0	15.0	
	E(C,T)S03		2.3	3	7.8	10.2	13.7	15.1	17.1	18.9	20.0	20.0	
	E(C,T)S05		3.7	4.9	12.6	16.7	20.4	23.0	25.5	28.8	30.0	30.0	
	E(C,T)S08		6.1	8	20.8	27.3	31.9	35.9	39.9	44.9	40.0	45.0	
	E(C,T)S10		7.5	9.8	25.6	33.4	38.7	44.3	48.3	55.4	60.0	60.0	
	E(C,T)S15		11.1	14.7	37.9	50.2	38.7/17.8	44.3/20.8	48.3/22.9	54.3/26.2	60/30	60/30	
AALL	E(C,T)L00	3.5, 4 & 5	0	0	0.0	0.0	2.6	2.6	3.3	3.3	15.0	15.0	
	E(C,T)L08		6.1	8	20.8	27.3	33.7	37.7	42.2	47.2	45.0	50.0	
	E(C,T)L10		7.5	9.8	25.6	33.4	40.5	45.2	50.6	56.5	55.0	60.0	
	E(C,T)L15		11.1	14.7	37.9	50.2	41.1/18.3	46.3/20.8	51.4/22.8	58/26	50/25	60/30	
	E(C,T)L20		14.8	19.6	50.5	66.9	41.1/36.5	46.3/41.7	51.4/45.7	57.8/52.1	60/60	60/60	
	E(C,T)L25		18.5	24.5	63.1	83.6	41.1/36.5/18.3	46.3/41.7/20.8	51.4/45.7/22.8	57.8/52.1/26	60/60/30	60/60/30	
	E(C,T)L30		22.2	29.4	75.8	100.3	41.1/36.5/36.5	46.3/41.7/41.7	51.4/45.7/45.7	51.4/52.1/52.1	60/60/60	60/60/60	

### 208/240V – 3 PHASE CIRCUIT BREAKER

MODEL	HEAT KIT	PERFORMANCE DATA				ELECTRICAL DATA				
		NOMINAL COOLING (TONS)	HEATING (KW)		HEATING CAPACITY (MBTUH)		MIN-CIRCUIT AMPACITY		MAX FUSE OR CIRCUIT BREAKER	
			208V	240V	208V	240V	208V	240V	208V	240V
AALL	E(3,4)L12	3.5, 4 & 5	9.0	12.0	30.7	40.9	36.0	42.0	40.0	50.0
	E(3,4)L15		11.3	15.0	38.4	51.2	44.0	50.0	50.0	50.0
	E(3,4)L24		18.0	24.0	61.4	81.9	55	50/45	60	50/40
	E(3,4)L30		22.5	30.0	76.8	102.4	44/39	50/45	50/40	50/50

### BLOWER DATA

MODEL	MOTOR SPEED	MOTOR HP	MOTOR AMPS	MOTOR VOLTAGE	CFM V. EXTERNAL STATIC*				
					0.10	0.20	0.30	0.40	0.50
					AALS	LOW	1/5	1.8	240
HIGH	1/5	960	920	880		830	770		
AALM	LOW	1/3	2.6	240	1130	1100	1050	1000	950
	HIGH	1/3			1410	1350	1280	1200	1120
AALL	LOW	3/4	4.4	240	1520	1500	1490	1460	1440
	MEDIUM	3/4			1700	1680	1650	1620	1580
	HIGH	3/4			2060	2030	1990	1940	1890

\*Dry coil with filter in place. CFM is based on a 3 row coil. For approximate CFM with a 4 row coil multiply CFM by .96

# AAL

# AIR HANDLERS



**AIR HANDLER CHASSIS NOMENCLATURE**

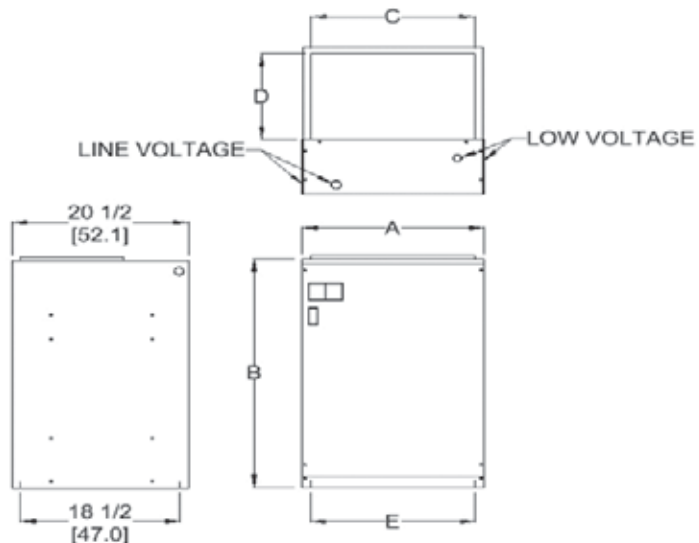
AAL	S	-001
AAL = 240V PSC Motor Multi-Position Electric Furnace	S = 18 & 24 M = 30 & 36 L = 42, 48 & 60	Option Code

**ELECTRIC HEAT KIT NOMENCLATURE**

E	C	S	03
Electric Heat	<p>Interruption</p> <p>C = Circuit Breaker T = Terminal Block P = Single Point Hookup 3 = 3-Phase Circuit Breaker 4 = 3-Phase Terminal Block</p>	S = 18-36 L = 42-60	<p>Heat Strip</p> <p>03 = 3 KW 05 = 5 KW 06 = 6 KW 08 = 8 KW 10 = 10 KW 12 = 12 KW 15 = 15 KW 20 = 20 KW 24 = 24 KW 25 = 25 KW 30 = 30 KW</p>

**DIMENSIONS AND SPECIFICATIONS**

MODEL	WIDTH A"	HEIGHT B"	DUCT OPENING		BOTTOM OPENING	FILTER SIZE	SHIP WEIGHT (LBS)	SKID QTY
			C"	D"	E"			
AALS	21	26	18-3/4	12	18-1/2	16X20	69	8
AALM	21	26	18-3/4	12	18-1/2	16X20	78	8
AALL	24-1/2	32	22-1/4	10-1/2	22	20x20	89	8



Phone: 281.441.6500  
Toll Free: 800.423.9007  
Fax: 281.441.6510  
[www.aspenmfg.com](http://www.aspenmfg.com)





## PRODUCT DIMENSIONS & SPECIFICATIONS

### AAM SERIES MULTI-POSITION ELECTRIC HEAT DX COOL AIR HANDLERS



Representative image only. Some models may vary in appearance. Due to continuous product improvement, specifications are subject to change without notice.



#### STANDARD FEATURES

##### APPLICATION VERSATILITY

Upflow or horizontal right as shipped (field-convertible for down-flow or horizontal left applications). Can be AHRI matched with most brands of air conditioners or heat pumps. ETL listed for use with either R22 or R410a when a proper metering device is used.

##### CABINET

Sturdy, galvanized steel cabinet with painted front panels. Cabinet fully insulated with 1/2" micro mat non-hygroscopic insulation to prevent sweating and mold growth, to encapsulate glass fibers, and to provide excellent R-value. Stick pins ensure insulation remains in place. Units ship with disposable filter in filter rack.

##### MODULAR HEAT KITS

Heat kits available with either circuit breakers or terminal blocks. Available from 3 to 30 KW. Models with electric heat include sequencers and temperature limit switches for safe, efficient operation. Modules are easily installed in the field using molex plugs or can be ordered factory-installed. Controls are accessible from the front for easy service. Electrical connections can be made from the top or left. Disconnect does not protrude through the wall panel. Fan time delay relay standard for increased efficiency.

##### ELECTRONIC CIRCUIT BOARD

Electronic circuit board provides 30 secs ON/OFF blower time delay extracting more heat/cool from the coil.

##### BLOWER

Direct drive multi-speed blowers circulate air quietly and efficiently. 3-speed motors allow for precise air volume selection. Motor speeds can be easily selected via motor terminals. Blowers mounted on rails so they can be easily removed for service.

##### DX COIL

High efficiency rifled copper tubes/enhanced aluminum fins provide maximum heat transfer. All coils immersion tested at 500 psi then nitrogen pressurized and factory sealed for maximum reliability. Liquid-line Schrader allows pre-installation pressure testing. Available with either orifice or TXV metering device. Field-installable bolt-on TXVs are also available. Rugged GLP drain pan holds minimal condensate while eliminating the possibility of corrosion. Drain pan is UV safe. Galvanized metal drain pan with bottom primary and secondary drain connections or alternate right side primary. All connections 3/4" FPT. Access door allows for coil cleaning.

##### WARRANTY

Ten-year limited parts warranty.

##### OPTIONS

See options menu.

AAM  
AIR HANDLERS

Phone: 281.441.6500  
Toll Free: 800.423.9007  
Fax: 281.441.6510  
[www.aspenmfg.com](http://www.aspenmfg.com)



\* For complete warranty details visit [www.aspenmfg.com](http://www.aspenmfg.com).

Revised 01/11/17. In keeping with its policy of continuous progress and product improvement, Aspen reserves the right to make changes without notice and incurring obligation. © 2017

## HEATING AND COOLING PERFORMANCE AND ELECTRICAL DATA

MODEL	HEAT KIT	HEATING CAPACITY (MBTUH)		TOTAL UNIT MCA		MIN FUSE SIZE		MAX FUSE OR CIR BKR	
		208V	240V	208V	240V	208V	240V	208V	240V
AAM 18/19+	E[C,T]S00	0.0	0.0	1.6	1.8	3.2	3.2	15.0	15.0
	E[C,T]S03	7.8	10.2	15.6	17.4	17.0	18.8	20.0	20.0
	E[C,T]S05	13.0	17.1	24.6	27.8	26.0	29.2	30.0	35.0
	E[C,T]S06	15.4	20.5	28.8	33.0	30.2	34.4	35.0	40.0
	E[C,T]S08	20.8	27.3	38.4	43.4	39.8	44.8	45.0	50.0
	E[C,T]S10	25.9	34.1	47.4	53.8	48.8	55.2	60.0	60.0
AAM 24/25 +	E[C,T]S00	0.0	0.0	1.6	1.8	3.2	3.2	15.0	15.0
	E[C,T]S03	7.8	10.2	15.6	17.4	17.0	18.8	20.0	20.0
	E[C,T]S05	13.0	17.1	24.6	27.8	26.0	29.2	30.0	35.0
	E[C,T]S06	15.4	20.5	28.8	33.0	30.2	34.4	35.0	40.0
	E[C,T]S08	20.8	27.3	38.4	43.4	39.8	44.8	45.0	50.0
	E[C,T]S10	25.9	34.1	47.4	53.8	48.8	55.2	60.0	60.0
AAM 30/31 +	E[C,T]S00	0.0	0.0	2.9	3.3	5.9	5.9	15.0	15.0
	E[C,T]S03	7.8	10.2	17.1	18.9	19.7	21.5	20.0	20.0
	E[C,T]S05	13.0	17.1	26.1	29.3	28.7	31.9	30.0	35.0
	E[C,T]S06	15.4	20.5	30.3	34.5	32.9	37.1	35.0	40.0
	E[C,T]S08	20.8	27.3	39.9	44.9	42.5	47.5	45.0	50.0
	E[C,T]S10	25.9	34.1	47.1	53.3	51.5	57.9	60.0	60.0
	E[C,T]S15	38.6	51.2	48/23	56/27	50/25	60/30	50/25	60/30
AAM 36/37 +	E[C,T]S00	0.0	0.0	2.9	3.3	5.9	5.9	30.0	35.0
	E[C,T]S03	7.8	10.2	17.1	18.9	19.7	21.5	35.0	40.0
	E[C,T]S05	13.0	17.1	26.1	29.3	28.7	31.9	45.0	50.0
	E[C,T]S06	15.4	20.5	30.3	34.5	32.9	37.1	60.0	60.0
	E[C,T]S08	20.8	27.3	39.9	44.9	42.5	47.5	45.0	50.0
	E[C,T]S10	25.9	34.1	48.9	55.3	51.5	57.9	50.0	55.0
	E[C,T]S15	38.6	51.2	48/23	56/27	50/25	60/30	50/25	60/30
AAM 42/43 +	E[C,T]L00	0.0	0.0	5.0	5.5	9.9	9.9	15.0	15.0
	E[C,T]L03	7.8	10.2	19.3	21.1	23.7	25.5	25.0	30.0
	E[C,T]L05	13.0	17.1	28.3	31.5	32.7	35.9	35.0	40.0
	E[C,T]L06	15.4	20.5	32.5	36.8	36.9	41.2	40.0	45.0
	E[C,T]L08	20.8	27.3	42.2	47.2	46.6	51.6	50.0	60.0
	E[C,T]L10	25.9	34.1	49.4	55.5	53.8	59.9	60.0	60.0
	E[C,T]L15	38.6	51.2	48/23	56/27	50/25	60/30	50/25	60/30
	E[C,T]L20	51.2	95.6	49/45	58/52	50/50	60/60	60/60	60/60
	E[C,T]L25	64.2	85.3	49/45/23	58/52/26	50/50/25	60/60/30	50/50/30	60/60/30
E[C,T]L30	76.8	102.4	49/45/45	58/52/52	50/50/50	60/60/60	50/50/50	60/60/60	
AAM 48/49 +	E[C,T]L00	0.0	0.0	5.0	5.5	9.9	9.9	15.0	15.0
	E[C,T]L03	7.8	10.2	19.3	21.1	23.7	25.5	25.0	30.0
	E[C,T]L05	13.0	17.1	28.3	31.5	32.7	35.9	35.0	40.0
	E[C,T]L06	15.4	20.5	32.5	36.8	36.9	41.2	40.0	45.0
	E[C,T]L08	20.8	27.3	42.2	47.2	46.6	51.6	50.0	60.0
	E[C,T]L10	25.9	34.1	49.4	55.5	53.8	59.9	60.0	60.0
	E[C,T]L15	38.6	51.2	48/23	56/27	50/25	60/30	50/25	60/30
	E[C,T]L20	51.2	95.6	49/45	58/52	50/50	60/60	60/60	60/60
	E[C,T]L25	64.2	85.3	49/45/23	58/52/26	50/50/25	60/60/30	50/50/30	60/60/30
E[C,T]L30	76.8	102.4	49/45/45	58/52/52	50/50/50	60/60/60	50/50/50	60/60/60	
AAM-60/61 +	E[C,T]L00	0.0	0.0	5.0	5.5	9.9	9.9	15.0	15.0
	E[C,T]L03	7.8	10.2	19.3	21.1	23.7	25.5	25.0	30.0
	E[C,T]L05	13.0	17.1	28.3	31.5	32.7	35.9	35.0	40.0
	E[C,T]L06	15.4	20.5	32.5	36.8	36.9	41.2	40.0	45.0
	E[C,T]L08	20.8	27.3	42.2	47.2	46.6	51.6	50.0	60.0
	E[C,T]L10	25.9	34.1	49.4	55.5	53.8	59.9	60.0	60.0
	E[C,T]L15	38.6	51.2	48/23	56/27	50/25	60/30	50/25	60/30
	E[C,T]L20	51.2	95.6	49/45	58/52	50/50	60/60	60/60	60/60
	E[C,T]L25	64.2	85.3	49/45/23	58/52/26	50/50/25	60/60/30	50/50/30	60/60/30
E[C,T]L30	76.8	102.4	49/45/45	58/52/52	50/50/50	60/60/60	50/50/50	60/60/60	

AIR HANDLERS / AAM

## 208/240V – 3 PHASE CIRCUIT BREAKER

MODEL	PERFORMANCE DATA				ELECTRICAL DATA				
	NOMINAL COOLING (TONS)	HEATING [KW]		HEATING CAPACITY [MBTUH]		MIN-CIRCUIT AMPACITY		MAX FUSE OR CIRCUIT BREAKER	
		208V	240V	208V	240V	208V	240V	208V	240V
AAM42-61+E312	3.5, 4.0 & 5.0	9.0	12.0	30.7	40.9	36.0	42.0	40.0	50.0
AAM42-61+E315		11.3	15.0	38.4	51.2	44.0	50.0	50.0	50.0
AAM42-61+E324		18.0	24.0	61.4	81.9	55	50/45	60	50/40
AAM42-61+E330		22.5	30.0	76.8	102.4	44/39	50/45	50/40	50/50

## BLOWER DATA

MODEL	MOTOR SPEED	MOTOR HP	MOTOR AMPS	MOTOR VOLTAGE	CFM V. EXTERNAL STATIC *				
					0.10	0.20	0.30	0.40	0.50
AAM 18/19/24/25	LOW	1/5	2.8	240	835	800	790	750	695
	HIGH				915	880	875	825	770
AAM 30/31/36/37	LOW	1/3	5.4	240	1130	1100	1050	1000	960
	HIGH				1410	1350	1280	1200	1160
AAM 42/43/48/49/60/61	LOW	3/4	9.5	240	1520	1500	1485	1460	1440
	MID				1700	1675	1640	1620	1575
	HIGH				2060	2020	1980	1935	1885

\*Wet Coil

## AIR HANDLER CHASSIS NOMENCLATURE

AAM	18	F	-001
AAM = 240V PSC Motor Multi-Position Air Handler	Nominal tonnage (MBTUH)	<u>Metering device</u> 4 = non-bleed A/C or H/P R410 TXV B = 20% bleed A/C or H/P R22 TXV F = R22 Flo-rater G = R410a Flo-rater X = non-bleed A/C or H/P R22 TXV	Option Code

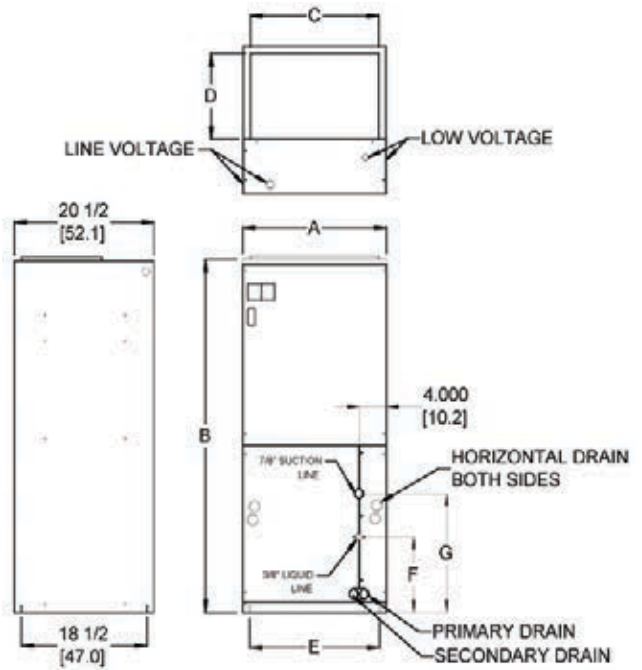
## ELECTRIC HEAT KIT NOMENCLATURE

E	C	S	03
Electric Heat	<u>Interruption</u> C = Circuit Breaker T = Terminal Block P = Single Point Hookup 3 = 3-Phase Circuit Breaker 4 = 3-Phase Terminal Block	S = 18-36 L = 42-60	<u>Heat Strip</u> 03 = 3 KW 05 = 5 KW 06 = 6 KW 08 = 8 KW 10 = 10 KW 12 = 12 KW 15 = 15 KW 20 = 20 KW 24 = 24 KW 25 = 25 KW 30 = 30 KW

AAM  
AIR HANDLERS

## DIMENSIONS AND SPECIFICATIONS

MODEL	A"	B"	C"	D"	E"	F"	G"	FILTER SIZE	PISTON SIZE	SHIP WEIGHT (LBS)	SKID QTY
AAM18,19+E *	21 [53]	40 [102]	18-3/4 [48]	12 [30]	18-1/2 [47]	7-1/4 [18]	10-1/4 [26]	16X20	0.055	99	4
AAM24,25+E *	21 [53]	40 [102]	18-3/4 [48]	12 [30]	18-1/2 [47]	8-1/4 [21]	12-1/4 [31]	16X20	0.059	100	4
AAM30,31+E *	21 [53]	49 1/4 [125]	18-3/4 [48]	12 [30]	18-1/2 [47]	8-1/4 [21]	14-1/4 [36]	16X20	0.068	118	4
AAM36,37+E *	21 [53]	49 1/4 [125]	18-3/4 [48]	12 [30]	18-1/2 [47]	10-1/4 [26]	16-1/4 [41]	16X20	0.074	147	4
AAM42,43+E *	24-1/2 [62]	57 [145]	22-1/4 [57]	10-1/2 [27]	22 [56]	11 [28]	16 [41]	20X20	0.080	153	4
AAM48,49+E *	24-1/2 [62]	57 [145]	22-1/4 [57]	10-1/2 [27]	22 [56]	13 [33]	18 [46]	20X20	0.084	180	4
AAM60,61+E *	24-1/2 [62]	57 [145]	22-1/4 [57]	10-1/2 [27]	22 [56]	15 [38]	20 [51]	20X20	0.092	200	4



Phone: 281.441.6500  
 Toll Free: 800.423.9007  
 Fax: 281.441.6510  
[www.aspenmfg.com](http://www.aspenmfg.com)



## PRODUCT DIMENSIONS & SPECIFICATIONS

### AAW SERIES VERTICAL WALL MOUNT ELECTRIC HEAT DX COOL AIR HANDLERS



Representative image only. Some models may vary in appearance. Due to continuous product improvement, specifications are subject to change without notice.



#### STANDARD FEATURES

##### APPLICATION VERSATILITY

Front or bottom return air position. Offset hanging brackets attach to unit and wall to allow hanging inside closet. Can be AHRI matched with most brands of air conditioners or heat pumps. ETL listed for use with either R22 or R410a when a proper metering device is used.

##### CABINET

Sturdy, short galvanized steel cabinet with painted front panels. Cabinet fully insulated with 1/2" micro mat non-hygroscopic insulation to prevent sweating and mold growth, to encapsulate glass fibers, and to provide excellent R-value. Stick pins ensure insulation remains in place. Units ship with disposable filter in filter rack.

##### MODULAR ELECTRIC HEAT KITS

Heat kits available with either circuit breakers or terminal blocks. Available in 3, 5, 8, & 10 KW. Models with electric heat include sequencers and temperature limit switches for safe, efficient operation. Modules are easily installed in the field using molex plugs or can be ordered factory-installed. Controls are accessible from the front for easy service. Electrical connections can be made from the top or left. Disconnect does not protrude through the wall panel. Fan time delay relay standard for increased efficiency.

##### BLOWER

Direct drive multi-speed blowers circulate air quietly and efficiently. Motor speeds can be easily selected via motor terminals. Swing mounted blowers can be easily removed for service.

##### ELECTRONIC CIRCUIT BOARD

Electronic circuit board provides 30 secs ON/OFF blower time delay extracting more heat/cool from the coil.

##### DX COIL

High efficiency rifled copper tubes/enhanced aluminum fins provide maximum heat transfer. All coils immersion tested at 500 psi then nitrogen pressurized and factory sealed for maximum reliability. Liquid-line Schrader allows pre-installation pressure testing. Available with either check style flowrater or TXV metering device. Field-installable TXVs are also available. Galvanized metal drain pan with bottom primary and secondary drain connections or alternate right side primary. All connections 3/4" FPT. Access door allows for coil cleaning.

##### WARRANTY

Five-year limited parts warranty.

##### OPTIONS

See options menu.

AAW  
AIR HANDLERS

Phone: 281.441.6500  
Toll Free: 800.423.9007  
Fax: 281.441.6510  
[www.aspenmfg.com](http://www.aspenmfg.com)



\* For complete warranty details visit [www.aspenmfg.com](http://www.aspenmfg.com).

Revised 01/11/17. In keeping with its policy of continuous progress and product improvement, Aspen reserves the right to make changes without notice and incurring obligation. © 2017

## HEATING AND COOLING PERFORMANCE AND ELECTRICAL DATA

MODEL	HEAT KIT	PERFORMANCE DATA						ELECTRICAL DATA					
		NOMINAL COOLING (TONS)	HEATING (KW)		HEATING CAPACITY (MBTUH)		MIN-CIRCUIT AMPACITY		MAX. OVERCURRENT PROTECTION		MAX FUSE OR CIRCUIT BREAKER		
			208V	240V	208V	240V	208V	240V	208V	240V	208V	240V	
AAW18	F(C,T)S00	1-1/2	0	0	0.0	0.0	2.3	2.3	4.1	4.1	15	15	
	F(C,T)S03		2.25	3	7.8	10.2	15.8	17.9	14.9	16.6	20	20	
	F(C,T)S05		3.8	5	13.0	17.1	24.8	28.3	22.1	24.9	25	30	
	F(C,T)S08		6.0	8	20.8	27.3	38.3	43.9	32.9	37.4	40	45	
	F(C,T)S10		7.5	10	25.9	34.1	47.3	54.3	40.1	45.7	50	60	
AAW24	F(C,T)S00	2	0	0	0.0	0.0	2.3	2.3	4.1	4.1	15	15	
	F(C,T)S03		2.25	3	7.8	10.2	15.8	17.9	14.9	16.6	20	20	
	F(C,T)S05		3.8	5	13.0	17.1	24.8	28.3	22.1	24.9	25	30	
	F(C,T)S08		6.0	8	20.8	27.3	38.3	43.9	32.9	37.4	40	45	
	F(C,T)S10		7.5	10	25.9	34.1	47.3	54.3	40.1	45.7	50	60	
AAW30	F(C,T)S00	2-1/2	0	0	0.0	0.0	3.3	3.3	5.9	5.9	15	15	
	F(C,T)S03		2.25	3	7.8	10.2	16.8	18.9	16.7	18.4	20	20	
	F(C,T)S05		3.8	5	13.0	17.1	25.8	29.3	23.9	26.7	30	30	
	F(C,T)S08		6.0	8	20.8	27.3	39.3	44.9	34.7	39.2	40	45	
	F(C,T)S10		7.5	10	25.9	34.1	48.3	55.3	41.9	47.5	50	60	
AAW36	F(C,T)S00	3	0	0	0.0	0.0	3.3	3.3	5.9	5.9	15	15	
	F(C,T)S03		2.25	3	7.8	10.2	16.8	18.9	16.7	18.4	20	20	
	F(C,T)S05		3.8	5	13.0	17.1	25.8	29.3	23.9	26.7	30	30	
	F(C,T)S08		6.0	8	20.8	27.3	39.3	44.9	34.7	39.2	40	45	
	F(C,T)S10		7.5	10	25.9	34.1	48.3	55.3	41.9	47.5	50	60	

### BLOWER DATA

MODEL	MOTOR SPEED	MOTOR HP	MOTOR AMPS	MOTOR VOLTAGE	CFM V. EXTERNAL STATIC * †				
					0.10	0.20	0.30	0.40	0.50
AAW18/24	LOW	1/5	1.8	240	834	795	746	687	620
	HIGH				930	888	823	749	680
AAW30/36	LOW	1/3	2.6	240	1123	1094	1062	1034	1000
	HIGH				1396	1358	1313	1261	1200

\* Wet coil with filter, † - For 208 V multiply by 0.90

### AIR HANDLER CHASSIS NOMENCLATURE

AAW	18	F	-001
AAW = 240V PSC Motor Vertical Wall Mount	Nominal tonnage (MBTUH)	<u>Metering Device</u> 4 = non-bleed A/C or H/P R410 TXV B = 20% bleed A/C or H/P R22 TXV F = Flo-rater G = R410a Flo-rater X = non-bleed A/C or H/P R22 TXV	Option Code

### ELECTRIC HEAT KIT NOMENCLATURE

F	C	S	05
Wall Mount Electric Heat	<u>Interruption</u> C = Circuit Breaker T = Terminal Block	S = 18 - 36	Heat strip 03 = 3 KW 05 = 5 KW 08 = 8 KW 10 = 10KW

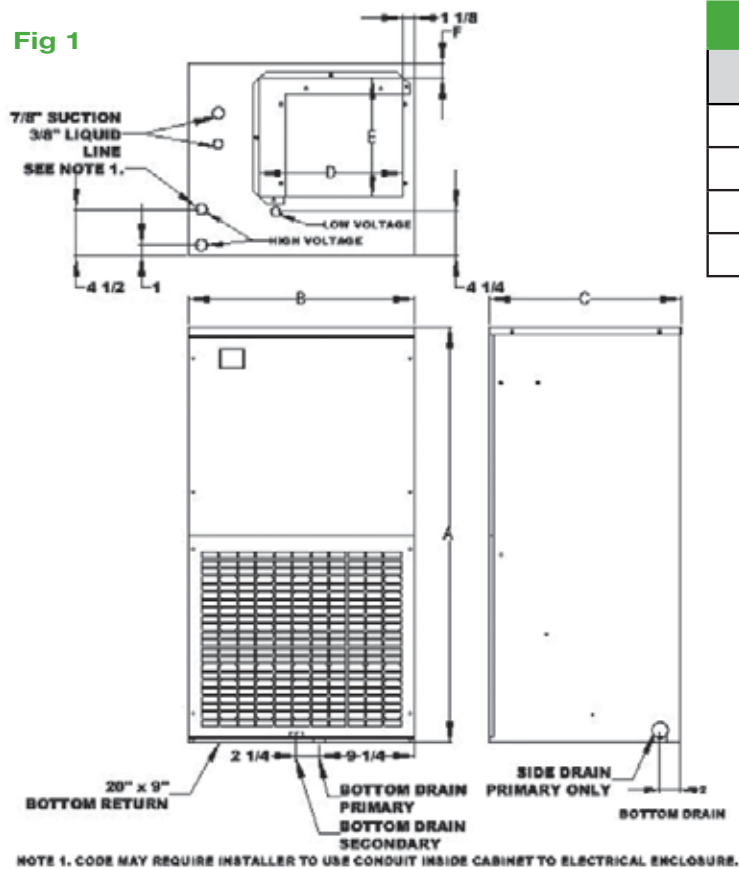
# AAW AIR HANDLERS



## DIMENSIONS AND SPECIFICATIONS (Fig 1)

MODEL	A"	B"	C"	D"	E"	F"	FILTER SIZE	PISTON SIZE	SHIP WEIGHT (LBS)	SKID QTY
AAW18*	37 1/2 [95]	22 [56]	18-3/4 [48]	14 [36]	10 [25]	3-1/4 [8.3]	20X20	0.055	90	4
AAW24*	37 1/2 [95]	22 [56]	18-3/4 [48]	14 [36]	10 [25]	3-1/4 [8.3]	20X20	0.059	90	4
AAW30*	40 1/2 [103]	22 [56]	18-3/4 [48]	14 [36]	11-1/2 [29]	1-3/8 [3.5]	20X20	0.068	102	4
AAW36*	40 1/2 [103]	22 [56]	18-3/4 [48]	14 [36]	11-1/2 [29]	1-3/8 [3.5]	20X20	0.074	102	4

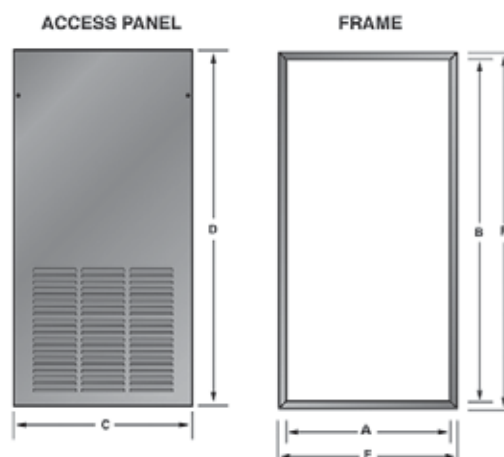
**Fig 1**



## INSTALLATION CLEARANCES

	OPERATION	SERVICE
TOP	0"	0"
FRONT	0"	30"
SIDES	0"	0"
REAR	0"	0"

**Fig 2**



## ACCESS PANEL DIMENSIONS AND SPECIFICATIONS (Fig 2)

PANEL MODEL	FOR USE WITH	OPENING SIZE		PANEL DIMENSION		FRAME DIMENSION		# OF PANELS
		A	B	C	D	E	F	
WAD-7(S/L)	AAW 18/24	22-1/4	39-1/2	24-1/4	41-1/2	24-1/8	41-3/8	1
WAD-8(S/L)	AAW 30/36	22-1/4	42-1/2	24-1/4	44-1/2	24-1/8	44-3/8	1

AAW  
AIR HANDLERS



Phone: 281.441.6500  
Toll Free: 800.423.9007  
Fax: 281.441.6510  
[www.aspenmfg.com](http://www.aspenmfg.com)



## PRODUCT DIMENSIONS & SPECIFICATIONS

### ABL SERIES MULTI-POSITION HYDRONIC FURNACE

#### STANDARD FEATURES

##### APPLICATION VERSATILITY

Upflow or horizontal left as shipped (field convertible for downflow or horizontal right)

##### CABINET

Sturdy, low profile galvanized steel cabinet with painted front panels. Cabinet fully insulated with 1/2" micro mat non-hygroscopic insulation to prevent sweating and mold growth, to encapsulate glass fibers, and to provide excellent R-value. Stick pins ensure insulation remains in place. Units ship with disposable filter in filter rack.

##### MODULAR HYDRONIC HEAT KITS

Heats kits available with either circuit breakers or terminal blocks and are easily installed in the field using molex plugs or can be ordered factory-installed. Freeze stat is standard, wired into circulating pump control circuit. Controls are accessible from the front for easy service. Electrical connections can be made from the top or left. Disconnect does not protrude through the wall panel. Fan time delay relay standard for increased efficiency. Heat kits are available with or without circulating pump and check valve. Units are provided with auxiliary relay for remote pump. Schrader ports are standard on water-out manifold, hose bib available as an option.

##### BLOWER

Direct drive multi-speed blowers circulate air quietly and efficiently and allow for precise air volume selection. Motor speeds can be easily selected via motor terminals. Blowers mounted on rails so they can be easily removed for service.

##### ELECTRONIC CONTROL BOARD

An electronic board controls the functioning of the system reducing moving parts. The board provides for various hot water supply source connections and the blower time delay to maximize heat/cool extraction. As an enhanced feature the pump circulates hot water every 6 hours to prevent coil freeze during off cycle

##### WARRANTY

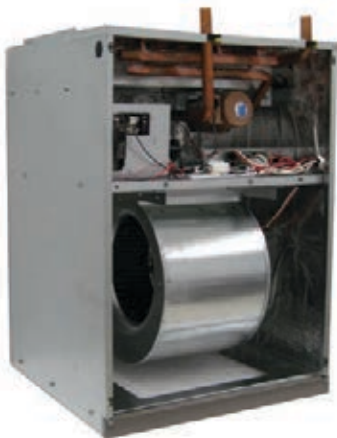
Five-year limited parts warranty.

##### OPTIONS

See options menu.



Representative image only. Some models may vary in appearance. Due to continuous product improvement, specifications are subject to change without notice.



AIR HANDLERS ABL

Phone: 281.441.6500  
Toll Free: 800.423.9007  
Fax: 281.441.6510  
[www.aspenmfg.com](http://www.aspenmfg.com)



\* For complete warranty details visit [www.aspenmfg.com](http://www.aspenmfg.com).

Revised 01/11/17. In keeping with its policy of continuous progress and product improvement, Aspen reserves the right to make changes without notice and incurring obligation. © 2017

## HEATING AND COOLING PERFORMANCE AND ELECTRICAL DATA

UNIT MODEL	PERFORMANCE DATA								ELECTRICAL DATA	
	HYDRONIC HEAT KIT MODEL	NOMINAL COOLING	HEATING COIL		Hydronic Coil Delta P. Ft. Water	HEATING AT 3.5 GPM CAPACITY BTU/HR at 3.5 GPM			MIN. CIR. AMPACITY 120 volt	MAX FUSE OR CIRCUIT BREAKER
			ROW	SIZE		ENTERING WATER TEMP				
					120°	140°	180°			
ABLS	W(C,T)2S(P,L)	Low	2	18"x12"	2.8	17700	24900	39600	4.1	15
		High	2	18"x12"	2.8	20200	28500	45400		
	W(C,T)3S(P,L)	Low	3	18"x12"	2.1	21600	30500	48400		
		High	3	18"x12"	2.1	25000	35300	56300		
ABLM	W(C,T)2S(P,L)	Low	2	18"x12"	2.8	23900	33800	53800	7.4	15
		High	2	18"x12"	2.8	25800	36500	58200		
	W(C,T)3S(P,L)	Low	3	18"x12"	2.1	30100	42500	67700		
		High	3	18"x12"	2.1	32800	46300	73700		
	W(C,T)4S(P,L)	Low	4	18"x12"	1.1	34000	48000	76600		
		High	4	18"x12"	1.1	37200	52600	83800		
ABLL	W(C,T)2L(P,L)	Low	2	22"x14.5"	2.8	33200	46800	74500	12.6	25
		High	2	22"x14.5"	2.8	36600	51800	82500		
	W(C,T)3L(P,L)	Low	3	22"x14.5"	2.1	40500	57300	84400		
		High	3	22"x14.5"	2.1	45000	63600	94000		
	W(C,T)4L(P,L)	Low	4	22"x14.5"	1.1	49000	69300	103600		
		High	4	22"x14.5"	1.1	55000	77700	116300		

### BLOWER DATA

MODEL	MOTOR SPEED	MOTOR HP	MOTOR AMPS	MOTOR VOLTAGE	CFM V. EXTERNAL STATIC *				
					0.10	0.20	0.30	0.40	0.50
ABLS	LOW	1/5	2.8	120	780	740	700	645	585
	HIGH				850	800	745	685	620
ABLM	LOW	1/3	5.4		970	940	880	825	750
	HIGH				1150	1100	1045	980	920
ABLL	LOW	3/4	9.5		1360	1340	1310	1280	1230
	MED				1530	1470	1420	1360	1310
	HIGH				1730	1670	1600	1540	1480

\* Dry coil with filter in place

### AIR HANDLER CHASSIS NOMENCLATURE

ABL	2	-001
ABL = 120V PSC Motor Multi-Position Hydronic Furnace	S = 18 & 24 M = 30 & 36 L = 42, 48 & 60	Option Code

### HYDRONIC HEAT KIT NOMENCLATURE

W	C	2	S	P
Multi-position Hydronic Heat	Interruption C = Circuit Breaker T = Terminal Block	# of rows 2 = 2 rows 3 = 3 rows 4 = 4rows	S = 18, 24, 30, 36 L = 42, 48, 60	P = with pump L = less pump

# AIR HANDLERS

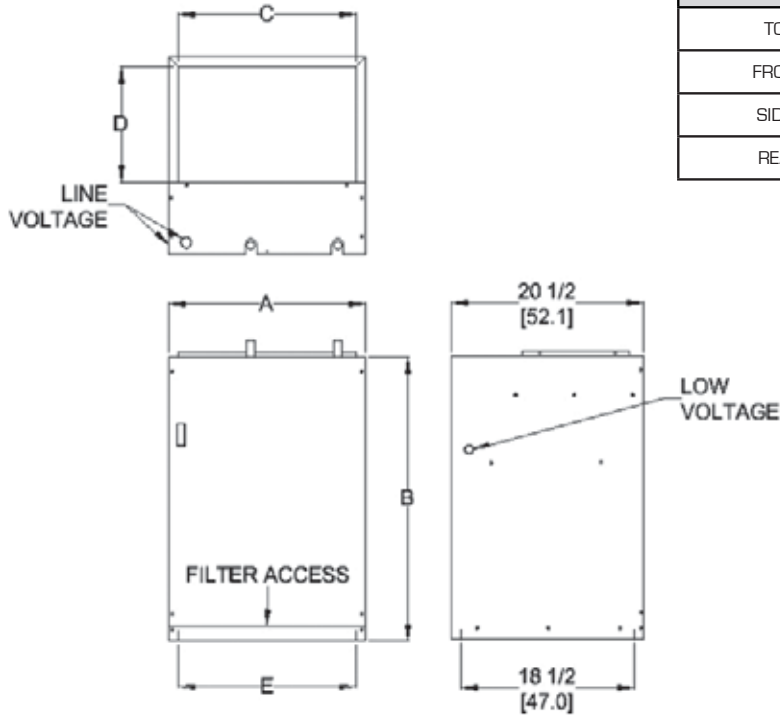
# ABL

## DIMENSIONS AND SPECIFICATIONS

MODEL	WIDTH A"	HEIGHT B"	DUCT OPENING		BOTTOM OPENING	FILTER SIZE	SHIP WEIGHT (LBS)	SKID QTY
			C"	D"	E"			
ABLS	21	21	18-3/4	12	18-1/2	16 x 16	83	4
ABLM	21	21	18-3/4	12	18-1/2	16 x 16	85	4
ABLL	24-1/2	21	22-1/4	14-1/2	22-1/4	20 x 20	110	4

## INSTALLATION CLEARANCES

	OPERATION	SERVICE
TOP	0"	0"
FRONT	0"	30"
SIDES	0"	0"
REAR	0"	0"



AIR HANDLERS

ABL



Phone: 281.441.6500  
Toll Free: 800.423.9007  
Fax: 281.441.6510  
[www.aspenmfg.com](http://www.aspenmfg.com)



## PRODUCT DIMENSIONS & SPECIFICATIONS

### ABM SERIES MULTI-POSITION HYDRONIC AIR HANDLERS

#### STANDARD FEATURES

##### APPLICATION VERSATILITY

Upflow or horizontal right as shipped (field-convertible for downflow or horizontal left applications). Can be AHRI matched with most brands of air conditioners or heat pumps. ETL listed for use with either R22 or R410a when a proper metering device is used.

##### CABINET

Sturdy, galvanized steel cabinet with painted front panels. Cabinet fully insulated with 1/2" micro mat non-hygroscopic insulation to prevent sweating and mold growth, to encapsulate glass fibers, and to provide excellent R-value. Stick pins ensure insulation remains in place. Units ship with disposable filter in filter rack.

##### MODULAR HEAT KITS

Heat kits available with either circuit breakers or terminal blocks. Available in 2, 3 & 4 row. Modules are easily installed in the field using molex plugs or can be ordered factory-installed. Freeze stat is wired into circulating pump control circuit. Controls are accessible from the front for easy service. Electrical connections can be made from the top or left. Disconnect does not protrude through the wall panel. Fan time delay relay standard for increased efficiency. Totally lead free constructed coil. Suitable for potable applications.

##### BLOWER

Direct drive multi-speed blowers circulate air quietly and efficiently. Multiple motor speeds allow for precise air volume selection. Motor speeds can be easily selected via motor terminals. Blowers mounted on rails so they can be easily removed for service.

##### ELECTRONIC CONTROL BOARD

An electronic board controls the functioning of the system reducing moving parts. The board provides for various hot water supply source connections and the blower time delay to maximize heat/cool extraction. As an enhanced feature the pump circulates hot water every 6 hours to prevent coil freeze during off cycle.

##### DX COIL

High efficiency rifled copper tubes/enhanced aluminum fins provide maximum heat transfer. All coils immersion tested at 500 psi then nitrogen pressurized and factory sealed for maximum reliability. Liquid-line Schrader allows pre-installation pressure testing. Available with either orifice or TXV metering device. Field-installable bolt-on TXVs are also available. Rugged GLN drain pan holds minimal condensate while eliminating the possibility of corrosion. Drain pan is UV safe. All drain connections are 3/4" FPT. Access door allows for coil cleaning.

##### WARRANTY

Five-year limited parts warranty.

##### OPTIONS

See options menu.



Representative image only. Some models may vary in appearance. Due to continuous product improvement, specifications are subject to change without notice.



ABM

AIR HANDLERS

Phone: 281.441.6500  
Toll Free: 800.423.9007  
Fax: 281.441.6510  
[www.aspenmfg.com](http://www.aspenmfg.com)



\* For complete warranty details visit [www.aspenmfg.com](http://www.aspenmfg.com).

Revised 01/11/17. In keeping with its policy of continuous progress and product improvement, Aspen reserves the right to make changes without notice and incurring obligation. © 2017

**HEATING AND COOLING PERFORMANCE AND ELECTRICAL DATA**

UNIT MODEL	HYDRONIC HEAT KIT MODEL	NOMINAL COOLING	PERFORMANCE DATA						ELECTRICAL DATA	
			HEATING COIL		Hydronic Coil Delta P. Ft. Water	HEATING AT 3.5 GPM CAPACITY BTU/HR at 3.5 GPM			MIN.CIR. AMPACITY 120 volt	MAX FUSE OR CIRCUIT BREAKER
			ROW	SIZE		ENTERING WATER TEMP				
120°	140°	180°								
ABM 18, 19	W(C,T)2S(P,L)	1.5	2	18"x12"	2.8	17700	24900	39600	4.1	15
	W(C,T)3S(P,L)		3	18"x12"	2.1	21600	30500	48400		
ABM 24, 25	W(C,T)2S(P,L)	2	2	18"x12"	2.8	20200	28500	45400	4.1	15
	W(C,T)3S(P,L)		3	18"x12"	2.1	25000	35300	56300		
ABM 30, 31	W(C,T)2S(P,L)	2.5	2	18"x12"	2.8	22100	31300	49900	7.4	15
	W(C,T)3S(P,L)		3	18"x12"	2.1	27700	39100	62400		
	W(C,T)4S(P,L)		4	18"x12"	1.1	31000	43900	70100000		
ABM 36, 37	W(C,T)2S(P,L)	3	2	18"x12"	2.8	23700	33500	53600	7.4	15
	W(C,T)3S(P,L)		3	18"x12"	2.1	29800	42100	67300		
	W(C,T)4S(P,L)		4	18"x12"	1.1	33500	47400	75800		
ABM 42, 43	W(C,T)2L(P,L)	3.5	2	22"x14.5"	3.6	30200	42600	68000	12.5	25
	W(C,T)3L(P,L)		3	22"x14.5"	1.7	36300	51400	76600		
	W(C,T)4L(P,L)		4	22"x14.5"	1.1	43600	61600	92900		
ABM 48, 49	W(C,T)2L(P,L)	4	2	22"x14.5"	3.6	31700	44800	71400	12.5	25
	W(C,T)3L(P,L)		3	22"x14.5"	1.7	38200	54000	80600		
	W(C,T)4L(P,L)		4	22"x14.5"	1.1	45900	64900	98000		
ABM 60, 61	W(C,T)2L(P,L)	5	2	22"x14.5"	3.6	32900	46600	74400	12.5	25
	W(C,T)3L(P,L)		3	22"x14.5"	1.7	39700	56200	84000		
	W(C,T)4L(P,L)		4	22"x14.5"	1.1	47800	67600	102200		

UNIT MODEL	HYDRONIC HEAT KIT MODEL	NOMINAL COOLING	PERFORMANCE DATA						ELECTRICAL DATA	
			HEATING COIL		Hydronic Coil Delta P. Ft. Water	HEATING AT 5.0 GPM CAPACITY BTU/HR at 5.0 GPM			MIN.CIR. AMPACITY 120 volt	MAX FUSE OR CIRCUIT BREAKER
			ROW	SIZE		ENTERING WATER TEMP				
120°	140°	180°								
ABM 18/19/24/25	W(C,T)2S(P,L)	Low	2	18"x12"	5.6	18700	26400	41900	4.1	15
	W(C,T)2S(P,L)	High	2	18"x12"	5.6	21600	30500	48500		
	W(C,T)3S(P,L)	Low	3	18"x12"	4.2	22900	32300	51200		
	W(C,T)3S(P,L)	High	3	18"x12"	4.2	26900	38000	60300		
ABM 30/31/36/37	W(C,T)2S(P,L)	Low	2	18"x12"	5.6	23900	33800	53800	7.4	15
	W(C,T)2S(P,L)	High	2	18"x12"	5.6	25800	36500	58200		
	W(C,T)3S(P,L)	Low	3	18"x12"	4.2	30100	42500	67700		
	W(C,T)3S(P,L)	High	3	18"x12"	4.2	32800	46300	73700		
	W(C,T)4S(P,L)	Low	4	18"x12"	2.2	34000	48000	76600		
	W(C,T)4S(P,L)	High	4	18"x12"	2.2	37200	52600	83800		
ABM 42/43/48/49/60/61	W(C,T)2L(P,L)	Low	2	22"x14.5"	5.6	33200	46800	74500	12.5	25
	W(C,T)2L(P,L)	High	2	22"x14.5"	5.6	36600	51800	82500		
	W(C,T)3L(P,L)	Low	3	22"x14.5"	3.4	40500	57300	84400		
	W(C,T)3L(P,L)	High	3	22"x14.5"	3.4	45000	63600	94000		
	W(C,T)4L(P,L)	Low	4	22"x14.5"	2.2	49000	69300	103600		
	W(C,T)4L(P,L)	High	4	22"x14.5"	2.2	55000	77700	116300		

**HYDRONIC HEAT KIT NOMENCLATURE**

W	C	2	S	P
Water heat (hydronic)	Interruption C = Circuit Breaker T = Terminal Block	2- 2 row hydronic 3- 3 row hydronic 4- 4 row hydronic 0 - no heat	S= 18-37, coil size- 18 x 12 L= 42-61, coil size- 22 x 14.5	P= 1/40 hp pump 8 = 1/25 hp pump R = 1/8 hp pump L= less pump

**AIR HANDLERS ABM**



## BLOWER DATA

MODEL	MOTOR SPEED	MOTOR HP	MOTOR AMPS	MOTOR VOLTAGE	CFM V. EXTERNAL STATIC *				
					0.10	0.20	0.30	0.40	0.50
ABM18/19/24/25	LOW	1/5	2.8	120	780	740	700	645	585
	HIGH				850	800	745	685	620
ABM 30/31/36/37	LOW	1/3	5.4		1000	980	920	870	800
	HIGH				1210	1190	1160	1130	1070
ABM 42/43/48/49/60/61	LOW	3/4	9.5		1360	1340	1310	1280	1230
	MED				1530	1470	1420	1360	1310
	HIGH				1730	1670	1600	1540	1480

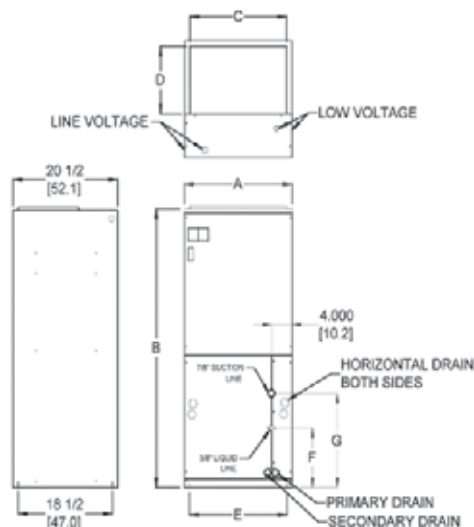
\* Dry coil with filter in place

## AIR HANDLER CHASSIS NOMENCLATURE

ABM	18	F	-001
ABM = 120V PSC Motor Multi-Position Hydronic Air Handler	Nominal tonnage (MBTUH)	<u>Metering Device</u> 4 = non-bleed A/C or H/P R410 TXV B = 20% bleed A/C or H/P R22 TXV F = F-22 Flo-rater G = R410a Flo-rater X = non-bleed A/C or H/P R22 TXV	Option Code

## DIMENSIONS AND SPECIFICATIONS

MODEL	A"	B"	C"	D"	E"	F"	G"	FILTER SIZE	PISTON SIZE	SHIP WEIGHT (LBS)	SKID QTY
ABM18/19+W*	21 [53]	49 1/4 [125]	18-3/4 [48]	12 [30]	18-1/2 [47]	7-1/4 [18]	10-1/4 [26]	16X20	0.055	99	4
ABM24/25+W*	21 [53]	49 1/4 [125]	18-3/4 [48]	12 [30]	18-1/2 [47]	8-1/4 [21]	12-1/4 [31]	16X20	0.059	100	4
ABM30/31+W*	21 [53]	49 1/4 [125]	18-3/4 [48]	12 [30]	18-1/2 [47]	8-1/4 [21]	14-1/4 [36]	16X20	0.068	118	4
ABM36/37+W*	21 [53]	49 1/4 [125]	18-3/4 [48]	12 [30]	18-1/2 [47]	10-1/4 [26]	16-1/4 [41]	16X20	0.074	147	4
ABM42/43+W*	24-1/2 [62]	57 [145]	22-1/4 [57]	14-3/4 [37]	22 [56]	11 [28]	16 [41]	20X20	0.080	153	4
ABM48/49+W*	24-1/2 [62]	57 [145]	22-1/4 [57]	14-3/4 [37]	22 [56]	13 [33]	18 [46]	20X20	0.084	180	4
ABM60/61+W*	24-1/2 [62]	57 [145]	22-1/4 [57]	14-3/4 [37]	22 [56]	15 [38]	20 [51]	20X20	0.092	200	4



Phone: 281.441.6500  
 Toll Free: 800.423.9007  
 Fax: 281.441.6510  
[www.aspenmfg.com](http://www.aspenmfg.com)

**AIR HANDLERS**

**ABM**



## PRODUCT DIMENSIONS & SPECIFICATIONS

### ABW SERIES WALL MOUNT HYDRONIC HEAT DX COOL AIR HANDLERS

AIR HANDLERS  
ABW



Representative image only. Some models may vary in appearance. Due to continuous product improvement, specifications are subject to change without notice.



#### STANDARD FEATURES

##### APPLICATION VERSATILITY

Front or bottom return air. Offset hanging brackets attach to unit and wall to allow hanging inside closet. Can be AHRI matched with most brands of air conditioners or heat pumps. ETL listed for use with either R22 or R410a when a proper metering device is used.

##### CABINET

Sturdy, short galvanized steel cabinet with painted front panels. Cabinet fully insulated with 1/2" micro mat non-hygroscopic insulation to prevent sweating and mold growth, to encapsulate glass fibers, and to provide excellent R-value. Stick pins ensure insulation remains in place. Units ship with disposable filter in filter rack. Low leak cabinet features are standard.

##### MODULAR HYDRONIC HEAT KITS

Heat kits available with either circuit breakers or terminal blocks. Available in 2, 3 & 4 row, providing 16,000 to 59,000 BTU's of heat. Heat kits are easily installed in the field using mox plugs or can be ordered factory-installed. Freeze stat is standard, wired into circulating pump control circuit. Controls are accessible from the front for easy service. Electrical connections can be made from the top or left. Disconnect does not protrude through the wall panel. Fan time delay relay standard for increased efficiency. Heat kits are available with or without circulating pump and check valve. Units are provided with auxiliary relay for remote pump. Schrader ports are standard on water-out manifold, hose bib available as an option. Totally lead free constructed coil. Suitable for potable applications.

##### BLOWER

Direct drive multi-speed blowers circulate air quietly and efficiently. Motor speeds can be easily selected via motor terminals. Swing mounted blowers can be easily removed for service.

##### ELECTRONIC CONTROL BOARD

An electronic board controls the functioning of the system reducing moving parts. The board provides for various hot water supply source connections and the blower time delay to maximize heat/cool extraction. As an enhanced feature the pump circulates hot water every 6 hours to prevent coil freeze during off cycle.

##### DX COIL

High efficiency rifled copper tubes/enhanced aluminum fins provide maximum heat transfer. All coils immersion tested at 500 psi then nitrogen pressurized and factory sealed for maximum reliability. Liquid-line Schrader allows pre-installation pressure testing. Available with either check style flowrater or TXV metering device. Field-installable TXVs are also available. Galvanized metal drain pan with bottom primary and secondary drain connections or alternate right side primary. All connections 3/4" FPT. Access door allows for coil cleaning.

##### WARRANTY

Five-year limited parts warranty.

##### OPTIONS

See options menu.

Phone: 281.441.6500  
Toll Free: 800.423.9007  
Fax: 281.441.6510  
[www.aspenmfg.com](http://www.aspenmfg.com)



\* For complete warranty details visit [www.aspenmfg.com](http://www.aspenmfg.com).

Revised 11/02/16. In keeping with its policy of continuous progress and product improvement, Aspen reserves the right to make changes without notice and incurring obligation. © 2016

## HEATING AND COOLING PERFORMANCE AND ELECTRICAL DATA

UNIT MODEL	PERFORMANCE DATA							ELECTRICAL DATA	
	HYDRONIC HEAT KIT MODEL	NOMINAL COOLING	HEATING COIL	Hydronic Coil Delta P.	Heating Capacity(BTU) @ 3.5 GPM			MIN.CIR. AMPACITY 120 volt	MAX FUSE OR CIRCUIT BREAKER
					ENTERING WATER TEMP				
			ROW	Ft. Water	120°	140°	180°		
ABW 18	U(C,T)2S(P,L)	1.5	2	3	18,800	26,600	42,300	4.1	15
	U(C,T)3S(P,L)		3	1.8	21,600	30,400	48,500		
ABW 24	U(C,T)2S(P,L)	2	2	3	21,000	30,100	48,000	4.1	15
	U(C,T)3S(P,L)		3	1.8	24,700	34,800	55,600		
ABW 30	U(C,T)2S(P,L)	2.5	2	3	23,200	32,800	52,500	7.4	15
	U(C,T)3S(P,L)		3	1.8	27,000	38,200	61,100		
	U(C,T)4S(P,L)		4	1.1	28,300	40,100	64,000		
ABW 36	U(C,T)2S(P,L)	3	2	3	24,700	35,000	56,000	7.4	15
	U(C,T)3S(P,L)		3	1.8	29,900	41,000	65,500		
	U(C,T)4S(P,L)		4	1.1	30,400	43,000	68,800		

## BLOWER DATA

MODEL	MOTOR SPEED	MOTOR HP	MOTOR AMPS	MOTOR VOLTAGE	CFM V. EXTERNAL STATIC *				
					0.10	0.20	0.30	0.40	0.50
ABW18 & ABW 24	LOW	1/5	2.8	120	772	736	690	633	574
	HIGH				829	784	732	663	600
ABW30 & ABW36	LOW	1/3	5.4		1000	980	920	870	800
	HIGH				1210	1190	1160	1130	1070

\* Dry coil

## AIR HANDLER CHASSIS NOMENCLATURE

ABW	18	F	-001
ABW = 120V PSC Motor Vertical Wall Mount	Nominal tonnage (MBTUH)	Metering device 4 = non-bleed A/C or H/P R410 TXV B = 20% bleed A/C or H/P R22 TXV F = R22 Flo-rater G = R410a Flo-rater X = non-bleed A/C or H/P R22 TXV	Option Code

## HYDRONIC HEAT KIT NOMENCLATURE

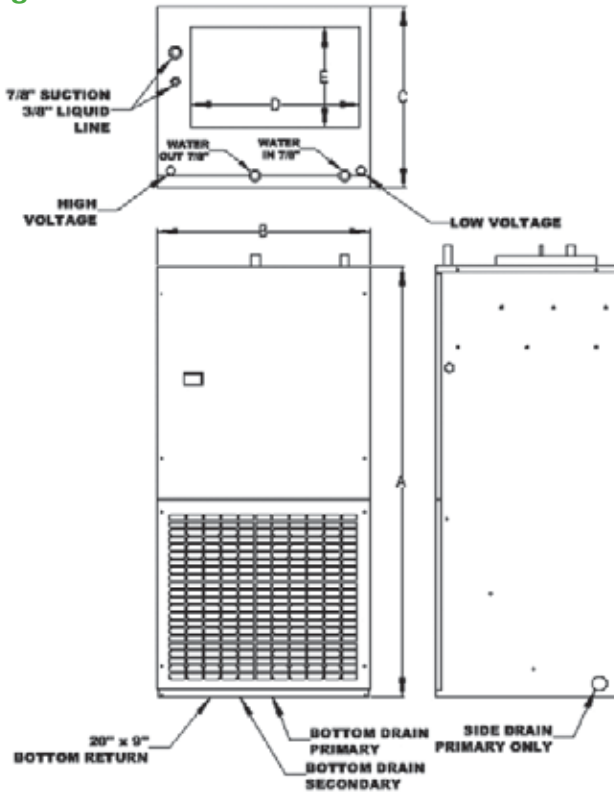
U	C	2	S	P
Wall Mount Hydronic Heat	Interruption C = Circuit Breaker T = Terminal Block	# of rows 2 = 2 rows 3 = 3 rows 4 = 4 rows	S = 18 - 36	P = with pump L = less pump

ABW  
AIR HANDLERS

## DIMENSIONS AND SPECIFICATIONS (Fig 1)

MODEL	A"	B"	C"	D"	E"	FILTER SIZE	PISTON SIZE	SHIP WEIGHT (LBS)	SKID QTY
ABW18*	44-1/2 [113]	22 [56]	18-3/4 [48]	17-5/8 [45]	10-1/2 [27]	20X20	0.055	110	4
ABW24*	44-1/2 [113]	22 [56]	18-3/4 [48]	17-5/8 [45]	10-1/2 [27]	20X20	0.059	110	4
ABW30*	44-1/2 [113]	22 [56]	18-3/4 [48]	17-5/8 [45]	10-1/2 [27]	20X20	0.068	118	4
ABW36*	44-1/2 [113]	22 [56]	18-3/4 [48]	17-5/8 [45]	10-1/2 [27]	20X20	0.074	118	4

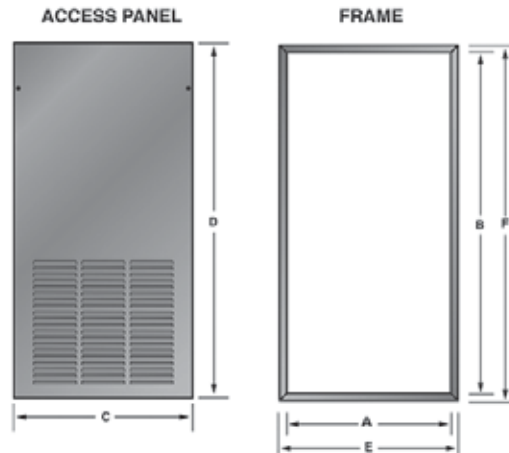
**Fig 1**



## INSTALLATION CLEARANCES

	OPERATION	SERVICE
TOP	0"	0"
FRONT	0"	30"
SIDES	0"	0"
REAR	0"	0"

**Fig 2**



## ACCESS PANEL DIMENSIONS AND SPECIFICATIONS (Fig 2)

PANEL MODEL	FOR USE WITH	OPENING SIZE		PANEL DIMENSION		FRAME DIMENSION		# OF PANELS
		A	B	C	D	E	F	
WAD-9(S/L)	ABW/AFW	22-1/4	46	24-1/4	48	24-1/8	47-7/8	1
WAD-10(S/L) [+ 6"]	ABW/AFW	22-1/4	52	24-1/4	54	24-1/8	47-7/8	1



Phone: 281.441.6500  
 Toll Free: 800.423.9007  
 Fax: 281.441.6510  
[www.aspenmfg.com](http://www.aspenmfg.com)



## PRODUCT DIMENSIONS & SPECIFICATIONS

### AEC SERIES CEILING MOUNT ELECTRIC HEAT DX COOL AIR HANDLERS

AEC  
AIR HANDLERS

#### STANDARD FEATURES

##### APPLICATION VERSATILITY

Built in mounting tabs for ceiling or furrdown mounting. Louvered ceiling access panel has separate frame that attaches to ceiling joists. Solid access panel available for use with end return installations. Can be AHRI matched with most brands of air conditioners or heat pumps. ETL listed for use with either R22 or R410a when a proper metering device is used.

##### MOTOR

Constant torque ECM speeds and torques are controlled by software embedded in the motor to maintain constant torque. Motors are pre-programmed at the factory.

##### CABINET

Sturdy, fully insulated galvanized steel cabinet with painted front panels.

##### MODULAR ELECTRIC HEAT KITS

Heat kits available with either circuit breakers or terminal blocks. Available in 3, 5, 8, & 10 KW. Models with electric heat include sequencers and temperature limit switches for safe, efficient operation. Modules are easily installed in the field using Molex plugs or can be ordered factory-installed. Controls are accessible from the front for easy service. Electrical connections can be made from the top or left. Disconnect does not protrude through the wall panel. Fan time delay relay standard for increased efficiency.

##### BLOWER

Direct drive multi-speed blowers circulate air quietly and efficiently. Motor speeds can be easily selected via motor terminals. Swing mounted blowers can be easily removed for service.

##### ELECTRONIC CIRCUIT BOARD

Electronic circuit board provides 30 secs ON/OFF blower time delay extracting more heat/cool from the coil.

##### DX COIL

High efficiency rifled copper tubes/enhanced aluminum fins provide maximum heat transfer. All coils immersion tested at 500 psi then nitrogen pressurized and factory sealed for maximum reliability. Liquid-line Schrader allows pre-installation pressure testing. Available with either check style flowrater or TXV metering device. Field-installable TXVs are also available. Galvanized metal drain pan with bottom primary and secondary drain connections or alternate right side primary. All connections 3/4" FPT. Access door allows for coil cleaning.

##### WARRANTY

Five-year limited parts warranty.

##### OPTIONS

See options menu.



Representative image only. Some models may vary in appearance. Due to continuous product improvement, specifications are subject to change without notice.



Phone: 281.441.6500  
Toll Free: 800.423.9007  
Fax: 281.441.6510  
[www.aspenmfg.com](http://www.aspenmfg.com)



\* For complete warranty details visit [www.aspenmfg.com](http://www.aspenmfg.com).

Revised 01/11/17. In keeping with its policy of continuous progress and product improvement, Aspen reserves the right to make changes without notice and incurring obligation. © 2017

## HEATING AND COOLING PERFORMANCE AND ELECTRICAL DATA

MODEL	HEAT KIT	PERFORMANCE DATA					ELECTRICAL DATA			
		NOMINAL COOLING (TONS)	HEATING (KW)		HEATING CAPACITY (MBTUH)		MIN-CIRCUIT AMPACITY		MAX FUSE OR CIRCUIT BREAKER	
			208V	240V	208V	240V	208V	240V	208V	240V
AEC18	G(C,T)S00	1-1/2	0	0	0.0	0.0	6.3	6.3	15.0	15.0
	G(C,T)S03		2.3	3	7.8	10.2	20.1	21.9	20.0	25.0
	G(C,T)S05		3.8	5	13.0	17.1	29.1	32.3	30.0	35.0
	G(C,T)S08		6.0	8	20.8	27.3	43.0	48.0	45.0	50.0
	G(C,T)S10		7.5	10	24.9	32.8	50.2	56.3	60.0	60.0
AEC24	G(C,T)S00	2	0	0	0.0	0.0	6.3	6.3	15.0	15.0
	G(C,T)S03		2.3	3	7.8	10.2	20.1	21.9	20.0	25.0
	G(C,T)S05		3.8	5	13.0	17.1	29.1	32.3	30.0	35.0
	G(C,T)S08		6.0	8	20.8	27.3	43.0	48.0	50.0	50.0
	G(C,T)S10		7.5	10	24.9	32.8	50.2	56.3	60.0	60.0
AEC30	G(C,T)S00	2-1/2	0	0	0.0	0.0	9.2	9.2	15.0	15.0
	G(C,T)S03		2.3	3	7.8	10.2	23.0	24.9	20.0	25.0
	G(C,T)S05		3.8	5	13.0	17.1	32.1	35.3	30.0	35.0
	G(C,T)S08		6.0	8	20.8	27.3	45.9	50.9	50.0	50.0
	G(C,T)S10		7.5	10	24.9	32.8	53.1	59.2	60.0	60.0
AEC36 & AEC37	G(C,T)S00	3	0	0	0.0	0.0	9.2	9.2	15.0	15.0
	G(C,T)S03		2.3	3	7.8	10.2	23.0	24.9	20.0	25.0
	G(C,T)S05		3.8	5	13.0	17.1	32.1	35.3	30.0	35.0
	G(C,T)S08		6.0	8	20.8	27.3	45.9	50.9	50.0	50.0
	G(C,T)S10		7.5	10	24.9	32.8	53.1	59.2	60.0	60.0

## BLOWER DATA

MODEL	SPEED TAP	MOTOR HP	MOTOR AMPS	MOTOR VOLTAGE	CFM V. EXTERNAL STATIC * †				
					0.10	0.20	0.30	0.40	0.50
AEC 18 & AEC 24	TAP 5	1/3	2.8	240	890	830	780	730	680
	TAP 4				750	680	640	600	560
	TAP 3				600	565	539	502	480
	TAP 2				750	830	780	730	560
	TAP 1				890	680	640	600	680
AEC 30 & AEC 36 & AEC 37	TAP 5	1/2	4.1		1220	1160	1110	1070	1010
	TAP 4				1110	1075	1040	1010	980
	TAP 3				898	873	853	827	800
	TAP 2				1110	1075	1040	1010	980
	TAP 1				1220	1160	1110	1070	1010

\* Wet coil with filter † For 208 operation multiply by 0.90

## AIR HANDLER CHASSIS NOMENCLATURE

AEC	18	F	-001
AEC = 240V Constant torque ECM Ceiling Mount	Nominal tonnage (MBTUH)	<u>Metering device</u> 4 = non-bleed A/C or H/P R410 TXV B = 20% bleed A/C or H/P R22 TXV F = R22 Flo-rater G = R410a Flo-rater X = non-bleed A/C or H/P R22 TXV	Option Code

## ELECTRIC HEAT KIT NOMENCLATURE

G	C	S	03
Ceiling Mount Electric Heat	<u>Interruption</u> C = Circuit Breaker T = Terminal Block	S = 18-36	<u>Heat Strip</u> 03 = 3 KW 05 = 5 KW 08 = 8 KW 10 = 10 KW

# AIR HANDLERS AEC



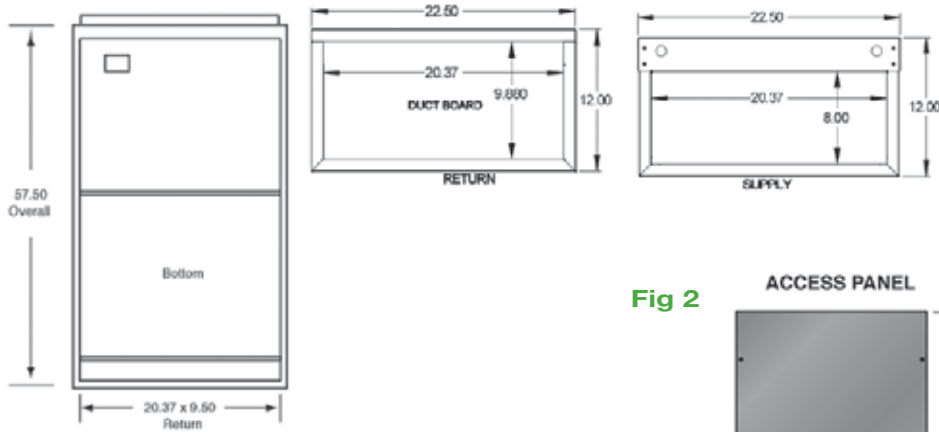
### DIMENSIONS AND SPECIFICATIONS (Fig 1)

MODEL	HEIGHT A"	WIDTH B"	DEPTH C"	D"	E"	FILTER SIZE	PISTON SIZE	SHIP WEIGHT (LBS)	SKID QTY
AEC18*	57 1/2 (146)	22 1/2 (57)	12 (30)	20 3/8 (52)	8 (20)	20X20	0.055	91	6
AEC24*	57 1/2 (146)	22 1/2 (57)	12 (30)	20 3/8 (52)	8 (20)	20X20	0.059	91	6
AEC30*	57 1/2 (146)	22 1/2 (57)	12 (30)	20 3/8 (52)	8 (20)	20X20	0.068	100	6
AEC36* & AEC37*	57 1/2 (146)	22 1/2 (57)	12 (30)	20 3/8 (52)	8 (20)	20X20	0.074	100	6

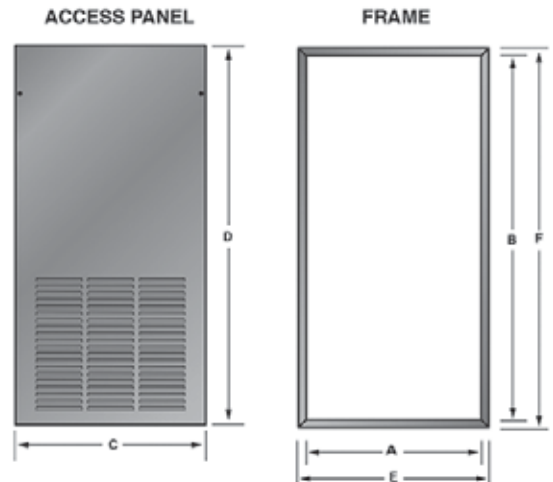
### INSTALLATION CLEARANCES

	OPERATION	SERVICE
TOP	0"	0"
FRONT	0"	30"
SIDES	0"	0"
REAR	0"	0"

**Fig 1**



**Fig 2**



### ACCESS DOOR DIMENSIONS AND SPECIFICATIONS (Fig 2)

PANEL MODEL	FOR USE WITH	OPENING SIZE		PANEL DIMENSION		FRAME DIMENSION		# OF PANELS
		A	B	C	D	E	F	
CAD-4(S/L)	AEC	22-3/4	58	24-3/4	60	24-5/8	59-7/8	2



Phone: 281.441.6500  
Toll Free: 800.423.9007  
Fax: 281.441.6510  
[www.aspenmfg.com](http://www.aspenmfg.com)

**AEC**  
**AIR HANDLERS**



## PRODUCT DIMENSIONS & SPECIFICATIONS

### AEM SERIES MULTI-POSITION ELECTRIC HEAT DX COOL AIR HANDLERS

#### STANDARD FEATURES

##### APPLICATION VERSATILITY

Upflow or horizontal right as shipped (field-convertible for downflow or horizontal left applications). Can be AHRI certified with most brands of air conditioners or heat pumps. ETL listed for use with either R22 or R410a when a proper metering device is used.

##### MOTOR

Constant torque ECM speeds and torques are controlled by software embedded in the motor to maintain constant torque. Motors are pre-programmed at the factory.

##### CABINET

Sturdy, galvanized steel cabinet with painted front panels. Cabinet fully insulated with 1/2" micro mat non-hygroscopic insulation to prevent sweating and mold growth, to encapsulate glass fibers, and to provide excellent R-value. Stick pins ensure insulation remains in place. Units ship with disposable filter in filter rack.

##### BLOWER

Direct drive blowers circulate air quietly and efficiently. Motor speeds and torques programmed in the motor. Blowers mounted on rails so they can be easily removed for service.

##### ELECTRONIC CIRCUIT BOARD

Electronic circuit board provides 30 secs ON/OFF blower time delay extracting more heat/cool from the coil.

##### MODULAR ELECTRIC HEAT KITS

Heat kits available with either circuit breakers or terminal blocks. Available from 3 to 30 KW. Models with electric heat include sequencers and temperature limit switches for safe, efficient operation. Modules are easily installed in the field using molex plugs or can be ordered factory-installed. Controls are accessible from the front for easy service. Electrical connections can be made from the top or left. Disconnect does not protrude through the wall panel. Fan time delay relay standard for increased efficiency.

##### DX COIL

High efficiency rifled copper tubes/enhanced aluminum fins provide maximum heat transfer. All coils immersion tested at 500 psi then nitrogen pressurized and factory sealed for maximum reliability. Liquid-line Schrader allows pre-installation pressure testing. Available with either orifice or TXV metering device. Field-installable bolt-on TXVs are also available. Rugged, UV safe, GLP drain pan holds minimal condensate while eliminating the possibility of corrosion. All drain connections are 3/4" FPT. Access door allows for coil cleaning.

##### WARRANTY

Ten-year limited parts warranty.

##### OPTIONS

See options menu.



Representative image only. Some models may vary in appearance. Due to continuous product improvement, specifications are subject to change without notice.



AIR HANDLERS AEM

Phone: 281.441.6500  
Toll Free: 800.423.9007  
Fax: 281.441.6510  
[www.aspenmfg.com](http://www.aspenmfg.com)



\* For complete warranty details visit [www.aspenmfg.com](http://www.aspenmfg.com).

Revised 08/08/16. In keeping with its policy of continuous progress and product improvement, Aspen reserves the right to make changes without notice and incurring obligation. © 2016

## HEATING AND COOLING PERFORMANCE AND ELECTRICAL DATA

MODEL	ELECTRIC HEAT KIT MODEL	MOTOR AMPS	PERFORMANCE DATA						ELECTRICAL DATA			
			HEATING (KW)		HEAT KIT ONLY AMPS		HEATING CAPACITY (MBTUH)		MIN-CIRCUIT AMPACITY		MAX FUSE SIZE	
			208V	240V	208V	240V	208V	240V	208V	240V	208V	240V
AEM 18/19	E(C,T)S00	2.8	0.0	0.0	0.0	0.0	0.0	0.0	3.2	3.5	15.0	15.0
	E(C,T)S03	2.8	2.3	3.0	11.1	12.5	7.8	10.2	17.0	19.1	20.0	25.0
	E(C,T)S05	2.8	3.8	5.0	18.3	20.8	13.0	17.1	26.0	29.5	30.0	35.0
	E(C,T)S08	2.8	6.1	8.0	29.3	33.3	20.8	27.3	39.8	45.2	45.0	50.0
	E(C,T)S10	2.8	7.6	10.0	36.5	41.7	25.9	34.1	48.8	55.6	60.0	60.0
AEM 24/25	E(C,T)S00	2.8	0.0	0.0	0.0	0.0	0.0	0.0	3.2	3.5	15.0	15.0
	E(C,T)S03	2.8	2.3	3.0	11.1	12.5	7.8	10.2	17.0	19.1	20.0	25.0
	E(C,T)S05	2.8	3.8	5.0	18.3	20.8	13.0	17.1	26.0	29.5	30.0	35.0
	E(C,T)S08	2.8	6.1	8.0	29.3	33.3	20.8	27.3	39.8	45.2	45.0	50.0
	E(C,T)S10	2.8	7.6	10.0	36.5	41.7	25.9	34.1	48.8	55.6	60.0	60.0
AEM 30/31	E(C,T)S00	4.1	0.0	0.0	0.0	0.0	0.0	0.0	4.6	5.1	15.0	15.0
	E(C,T)S03	4.1	2.3	3.0	11.1	12.5	7.8	10.2	18.4	20.8	20.0	25.0
	E(C,T)S05	4.1	3.8	5.0	18.3	20.8	13.0	17.1	27.4	31.2	30.0	35.0
	E(C,T)S08	4.1	6.1	8.0	29.3	33.3	20.8	27.3	41.3	46.8	45.0	50.0
	E(C,T)S10	4.1	7.6	10.0	36.5	41.7	25.9	34.1	50.3	57.2	60.0	60.0
	E(C,T)S15	4.1	11.3	15.0	54.3	62.5	38.6	51.2	50/23	58/26	60/30	60/30
AEM 36/37	E(C,T)S00	4.1	0.0	0.0	0.0	0.0	0.0	0.0	4.6	5.1	15.0	15.0
	E(C,T)S03	4.1	2.3	3.0	11.1	12.5	7.8	10.2	18.4	20.8	20.0	25.0
	E(C,T)S05	4.1	3.8	5.0	18.3	20.8	13.0	17.1	27.4	31.2	30.0	35.0
	E(C,T)S08	4.1	6.1	8.0	29.3	33.3	20.8	27.3	41.3	46.8	45.0	50.0
	E(C,T)S10	4.1	7.6	10.0	36.5	41.7	25.9	34.1	50.3	57.2	60.0	60.0
	E(C,T)S15	4.1	11.3	15.0	54.3	62.5	38.6	51.2	50/23	58/26	60/30	60/30
AEM 42/43	F(C,T)L00	7.6	0.0	0.0	0.0	0.0	0.0	0.0	8.6	9.5	15.0	15.0
	F(C,T)L05	7.6	3.8	5.0	18.3	20.8	13.0	17.1	31.4	26.0	40.0	45.0
	F(C,T)L10	7.6	7.6	10.0	36.5	41.7	25.9	34.1	54.2	60.0	60.0	60.0
	F(C,T)L15	7.6	11.3	15.0	54.3	62.5	38.6	51.2	55.2/22.8	60/26	60/30	60/30
	F(C,T)L20	7.6	15.0	20.0	72.1	83.3	51.2	68.3	55.2/45.7	58/52.1	60/60	60/60
	F(C,T)L25	7.6	18.8	25.0	90.4	104.2	64.2	85.3	55.2/45.7/22.8	58/52/26	60/60/30	60/60/30
	F(C,T)L30	7.6	22.5	30.0	108.2	125.0	76.8	102.4	55.2/45.7/45.7	58/52/52	60/60/60	60/60/60
AEM 48/49	F(C,T)L00	7.6	0.0	0.0	0.0	0.0	0.0	0.0	8.6	9.8	15.0	15.0
	F(C,T)L05	7.6	3.8	5.0	18.3	20.8	13.0	17.1	31.4	26.0	40.0	45.0
	F(C,T)L10	7.6	7.6	10.0	36.5	41.7	25.9	34.1	54.2	60.0	60.0	60.0
	F(C,T)L15	7.6	11.3	15.0	54.3	62.5	38.6	51.2	55.2/22.8	60/26	60/30	60/30
	F(C,T)L20	7.6	15.0	20.0	72.1	83.3	51.2	68.3	55.2/45.7	58/52.1	60/60	60/60
	F(C,T)L25	7.6	18.8	25.0	90.4	104.2	64.2	85.3	55.2/45.7/22.8	58/52/26	60/60/30	60/60/30
	F(C,T)L30	7.6	22.5	30.0	108.2	125.0	76.8	102.4	55.2/45.7/45.7	58/52/52	60/60/60	60/60/60
AEM 60/61	F(C,T)L00	7.6	0.0	0.0	0.0	0.0	0.0	0.0	8.6	9.8	15.0	15.0
	F(C,T)L05	7.6	3.8	5.0	18.3	20.8	13.0	17.1	31.4	26.0	40.0	45.0
	F(C,T)L10	7.6	7.6	10.0	36.5	41.7	25.9	34.1	54.2	60.0	60.0	60.0
	F(C,T)L15	7.6	11.3	15.0	54.3	62.5	38.6	51.2	55.2/22.8	60/26	60/30	60/30
	F(C,T)L20	7.6	15.0	20.0	72.1	83.3	51.2	68.3	55.2/45.7	58/52.1	60/60	60/60
	F(C,T)L25	7.6	18.8	25.0	90.4	104.2	64.2	85.3	55.2/45.7/22.8	58/52/26	60/60/30	60/60/30
	F(C,T)L30	7.6	22.5	30.0	108.2	125.0	76.8	102.4	55.2/45.7/45.7	58/52/52	60/60/60	60/60/60

AEM AIR HANDLERS

## BLOWER DATA

MODEL	SPEED TAP	MOTOR HP	MOTOR AMPS	MOTOR VOLTAGE	CFM V. EXTERNAL STATIC *						
					0.10	0.20	0.30	0.40	0.50	0.60	0.70
AEM 18/19/24/25	TAP 5	1/3	2.8	240	932	894	862	827	800	762	
	TAP 4				750	706	674	627	600	561	
	TAP 3				600	565	539	502	480	449	
	TAP 2				750	706	674	627	600	561	
	TAP 1				932	894	862	827	800	762	
AEM 30/31/36/37	TAP 5	1/2	4.1		1291	1280	1252	1227	1200	1171	
	TAP 4				1122	1091	1066	1034	1000	982	
	TAP 3				898	873	853	827	800	786	
	TAP 2				745	698	668	630	600	558	
	TAP 1				1291	1280	1252	1227	1200	1171	
AEM 42/43/48/49/60/61	TAP 5	1	7.6	2018	1987	1961	1922	1889	1856	1823	
	TAP 4			1738	1696	1667	1636	1598	1566	1527	
	TAP 3			1546	1521	1482	1439	1396	1360	1321	
	TAP 2			1367	1342	1303	1260	1217	1181	1142	
	TAP 1			2018	1987	1961	1922	1889	1856	1823	

\*Wet coil

## AIR HANDLER CHASSIS NOMENCLATURE

AEM	18	F	-001
AEM = 240V Constant torque ECM Multi-Position Air Handler	Nominal tonnage (MBTUH)	<u>Metering device</u> 4 = non-bleed A/C or H/P R410 TXV B = 20% bleed A/C or H/P R22 TXV F = Flo-rater X = non-bleed A/C or H/P R22 TXV	Option Code

## ELECTRIC HEAT KIT NOMENCLATURE

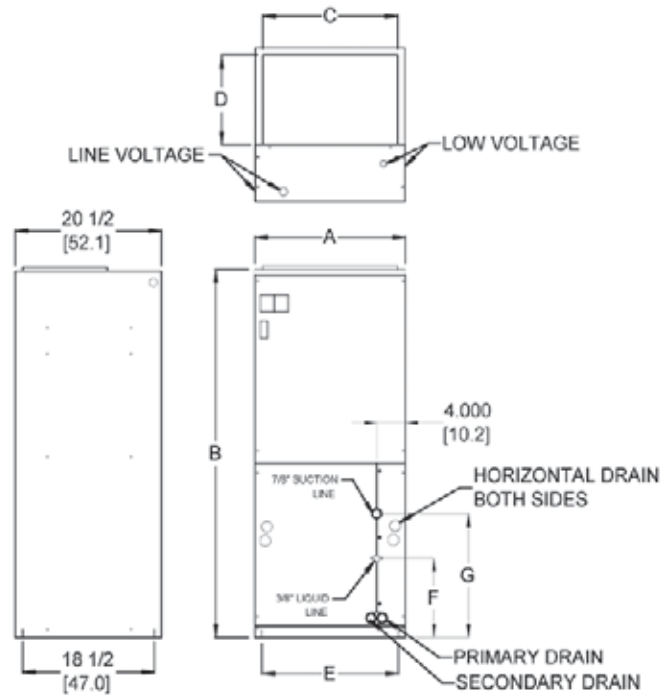
E	C	S	03
Electric Heat	<u>Interruption</u> C = Circuit Breaker T = Terminal Block P = Circuit Breaker w/ Single Point 3 = 3-Phase Circuit Breaker 4 = 3-Phase Terminal Block	S = 18-37 L = 42-61	<u>Heat Strip</u> 00 = 0 KW 03 = 3 KW 05 = 5 KW 06 = 6 KW 08 = 8 KW 10 = 10 KW 12 = 12 KW 15 = 15 KW 20 = 20 KW 24 = 24 KW 25 = 25 KW 30 = 30 KW

AEM

AIR HANDLERS

## DIMENSIONS AND SPECIFICATIONS

MODEL	A"	B"	C"	D"	E"	F"	G"	FILTER SIZE	PISTON SIZE	SHIP WEIGHT (LBS)	SKID QTY
AEM18,19+E*	21 [53]	40 [102]	18-3/4 [48]	12 [30]	18-1/2 [47]	7-1/4 [18]	10-1/4 [26]	16X20	0.055	99	8
AEM24,25+E*	21 [53]	40 [102]	18-3/4 [48]	12 [30]	18-1/2 [47]	8-1/4 [21]	12-1/4 [31]	16X20	0.059	100	8
AEM30,31+E*	21 [53]	49 1/4 [125]	18-3/4 [48]	12 [30]	18-1/2 [47]	8-1/4 [21]	14-1/4 [36]	16X20	0.068	118	4
AEM36,37+E*	21 [53]	49 1/4 [125]	18-3/4 [48]	12 [30]	18-1/2 [47]	10-1/4 [26]	16-1/4 [41]	16X20	0.074	147	4
AEM42,43+E*	24-1/2 [62]	57 [145]	22-1/4 [57]	10-1/2 [27]	22 [56]	11 [28]	16 [41]	20X20	0.080	153	3
AEM48,49+E*	24-1/2 [62]	57 [145]	22-1/4 [57]	10-1/2 [27]	22 [56]	13 [33]	18 [46]	20X20	0.084	180	3
AEM60,61+E*	24-1/2 [62]	57 [145]	22-1/4 [57]	10-1/2 [27]	22 [56]	15 [38]	20 [51]	20X20	0.092	200	3



Phone: 281.441.6500  
 Toll Free: 800.423.9007  
 Fax: 281.441.6510  
[www.aspenmfg.com](http://www.aspenmfg.com)

**AEM**  
**AIR HANDLERS**



## PRODUCT DIMENSIONS & SPECIFICATIONS

### AEW SERIES VERTICAL WALL MOUNT ELECTRIC HEAT DX COOL AIR HANDLERS

AIR HANDLERS AEW



Representative image only. Some models may vary in appearance. Due to continuous product improvement, specifications are subject to change without notice.



#### STANDARD FEATURES

##### APPLICATION VERSATILITY

Front or bottom return air position. Offset hanging brackets attach to unit and wall to allow hanging inside closet. Can be AHRI matched with most brands of air conditioners or heat pumps. ETL listed for use with either R22 or R410a when a proper metering device is used.

##### MOTOR

Pre-programmed, 5-speed, ECM motors that ensure higher efficiency and increased energy savings by delivering constant torque during operation.

##### CABINET

Sturdy, short galvanized steel cabinet with painted front panels. Cabinet fully insulated with 1/2" micro mat non-hygroscopic insulation to prevent sweating and mold growth, to encapsulate glass fibers, and to provide excellent R-value. Stick pins ensure insulation remains in place. Units ship with disposable filter in filter rack.

##### MODULAR ELECTRIC HEAT KITS

Heat kits available with either circuit breakers or terminal blocks. Available in 3, 5, 8, & 10 KW. Models with electric heat include sequencers and temperature limit switches for safe, efficient operation. Modules are easily installed in the field using molex plugs or can be ordered factory-installed. Controls are accessible from the front for easy service. Electrical connections can be made from the top or left. Disconnect does not protrude through the wall panel. Fan time delay relay standard for increased efficiency.

##### BLOWER

Direct drive multi-speed blowers circulate air quietly and efficiently. Motor speeds can be easily selected via motor terminals. Swing mounted blowers can be easily removed for service.

##### ELECTRONIC CIRCUIT BOARD

Electronic circuit board provides 30 secs ON/OFF blower time delay extracting more heat/cool from the coil.

##### DX COIL

High efficiency rifled copper tubes/enhanced aluminum fins provide maximum heat transfer. All coils immersion tested at 500 psi then nitrogen pressurized and factory sealed for maximum reliability. Liquid-line Schrader allows pre-installation pressure testing. Available with either check style flowrater or TXV metering device. Field-installable TXVs are also available. Galvanized metal drain pan with bottom primary and secondary drain connections or alternate right side primary. All connections 3/4" FPT. Access door allows for coil cleaning.

##### WARRANTY

Five-year limited parts warranty.

##### OPTIONS

See options menu.

Phone: 281.441.6500  
Toll Free: 800.423.9007  
Fax: 281.441.6510  
[www.aspenmfg.com](http://www.aspenmfg.com)



\* For complete warranty details visit [www.aspenmfg.com](http://www.aspenmfg.com).

Revised 01/11/17. In keeping with its policy of continuous progress and product improvement, Aspen reserves the right to make changes without notice and incurring obligation. © 2017



## HEATING AND COOLING PERFORMANCE AND ELECTRICAL DATA

MODEL	HEAT KIT	PERFORMANCE DATA					ELECTRICAL DATA					
		NOMINAL COOLING (TONS)	HEATING (KW)		HEATING CAPACITY (MBTUH)		MIN-CIRCUIT AMPACITY		MAX. OVERCURRENT PROTECTION		MAX FUSE OR CIRCUIT BREAKER	
			208V	240V	208V	240V	208V	240V	208V	240V	208V	240V
AEW18	F(C,T)S00	1-1/2	0	0	0.0	0.0	3.5	3.5	6.3	6.3	15	15
	F(C,T)S03		2.3	3	7.8	10.2	17.0	19.1	17.1	18.8	20	20
	F(C,T)S05		3.8	5	13.0	17.1	26.0	29.5	24.3	27.1	30	30
	F(C,T)S08		6.0	8	20.8	27.3	39.6	45.2	35.2	39.6	40	50
	F(C,T)S10		7.5	10	24.9	32.8	48.6	55.6	42.4	48.0	50	60
AEW20*/24	F(C,T)S00	2	0	0	0.0	0.0	3.5	3.5	6.3	6.3	15	15
	F(C,T)S03		2.3	3	7.8	10.2	17.0	19.1	17.1	18.8	20	20
	F(C,T)S05		3.8	5	13.0	17.1	26.0	29.5	24.3	27.1	30	30
	F(C,T)S08		6.0	8	20.8	27.3	39.6	45.2	35.2	39.6	40	50
	F(C,T)S10		7.5	10	24.9	32.8	48.6	55.6	42.4	48.0	50	60
AEW30	F(C,T)S00	2-1/2	0	0	0.0	0.0	5.1	5.1	9.2	9.2	15	15
	F(C,T)S03		2.3	3	7.8	10.2	18.7	20.8	20.0	21.7	25	25
	F(C,T)S05		3.8	5	13.0	17.1	27.7	31.2	27.3	30.1	30	35
	F(C,T)S08		6.0	8	20.8	27.3	41.2	46.8	38.1	42.6	45	50
	F(C,T)S10		7.5	10	24.9	32.8	50.2	57.2	45.3	50.9	60	60
AEW36	F(C,T)S00	3	0	0	0.0	0.0	5.1	5.1	9.2	9.2	15	15
	F(C,T)S03		2.3	3	7.8	10.2	18.7	20.8	20.0	21.7	25	25
	F(C,T)S05		3.8	5	13.0	17.1	27.7	31.2	27.3	30.1	30	35
	F(C,T)S08		6.0	8	20.8	27.3	41.2	46.8	38.1	42.6	45	50
	F(C,T)S10		7.5	10	24.9	32.8	50.2	57.2	45.3	50.9	60	60

## BLOWER DATA

MODEL	SPEED TAP	MOTOR HP	MOTOR AMPS	MOTOR VOLTAGE	CFM V. EXTERNAL STATIC * †				
					0.10	0.20	0.30	0.40	0.50
AEW 18/20/24	TAP 5	1/3	2.8	240	909	864	840	800	782
	TAP 4				723	690	652	631	600
	TAP 3				600	565	539	502	480
	TAP 2				723	690	652	631	600
	TAP 1				909	864	840	800	782
AEW 30/36	TAP 5	1/2	4.1		1365	1332	1303	1271	1240
	TAP 4				1174	1132	1106	1078	1047
	TAP 3				898	873	853	827	800
	TAP 2				745	698	668	630	600
	TAP 1				1365	1332	1303	1271	1240

\* Wet coil with filter † For 208 operation multiply by 0.90

## AIR HANDLER CHASSIS NOMENCLATURE

AEW	18	F	-001
AEW = 240V X13 Motor Vertical Wall Mount	Nominal tonnage (MBTUH)	Metering device 4 = non-bleed A/C or H/P R410 TXV B = 20% bleed A/C or H/P R22 TXV F = R22 Flo-rater G = R410a Flo-rater X = non-bleed A/C or H/P R22 TXV	Option Code

# AIR HANDLERS

# AEW

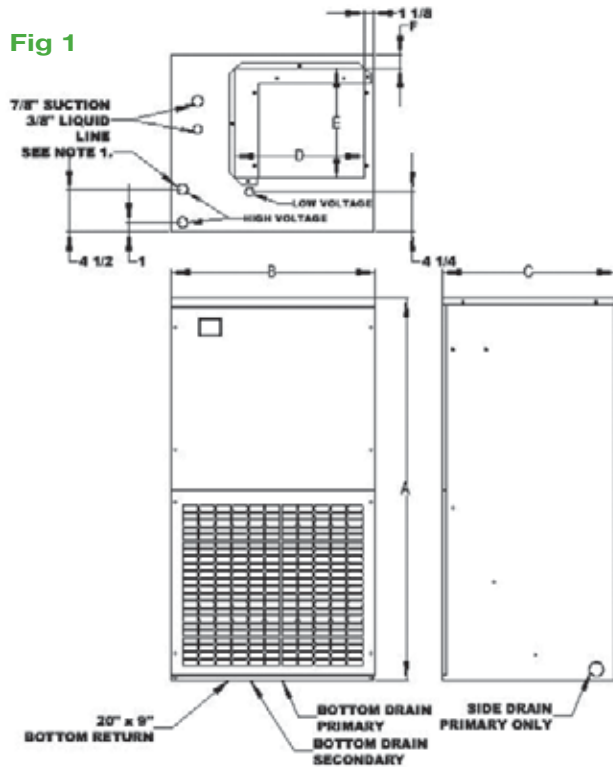
**ELECTRIC HEAT KIT NOMENCLATURE**

F	C	S	O3
Wall Mount Electric Heat	Interruption C = Circuit Breaker T = Terminal Block	S = 18-36	Heat Strip O3 = 3 KW O5 = 5 KW O8 = 8 KW O10 = 10 KW

**DIMENSIONS AND SPECIFICATIONS (Fig 1)**

MODEL	HEIGHT A"	WIDTH B"	DEPTH C"	D"	E"	F"	FILTER SIZE	PISTON SIZE	SHIP WEIGHT (LBS)	SKID QTY
AEW18*	37 1/2 (95)	22 (56)	18 3/4 (48)	14 (36)	10 (25)	3-1/4 (8.3)	20X20	0.055	90	4
AEW24*	37 1/2 (95)	22 (56)	18 3/4 (48)	14 (36)	10 (25)	3-1/4 (8.3)	20X20	0.059	90	4
AEW20*/30*	40 1/2 (103)	22 (56)	18 3/4 (48)	14 (36)	11-1/2 (29)	1-3/8 (3.5)	20X20	0.068	102	4
AEW36*	40 1/2 (103)	22 (56)	18 3/4 (48)	14 (36)	11-1/2 (29)	1-3/8 (3.5)	20X20	0.074	102	4

**Fig 1**

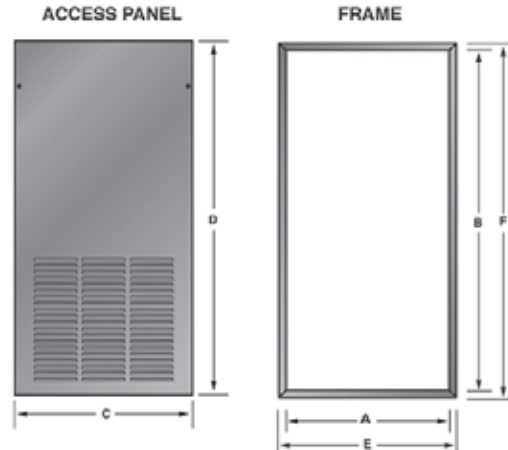


NOTE 1. CODE MAY REQUIRE INSTALLER TO USE CONDUIT INSIDE CABINET TO ELECTRICAL ENCLOSURE.

**INSTALLATION CLEARANCES**

	OPERATION	SERVICE
TOP	0"	0"
FRONT	0"	30"
SIDES	0"	0"
REAR	0"	0"

**Fig 2**



**ACCESS PANEL DIMENSIONS AND SPECIFICATIONS (Fig 2)**

PANEL MODEL	FOR USE WITH	OPENING SIZE		PANEL DIMENSION		FRAME DIMENSION		# OF PANELS
		A	B	C	D	E	F	
WAD-7(S/L)	AEW 18/24	22-1/4	39-1/2	24-1/4	41-1/2	24-1/8	41-3/8	1
WAD-8(S/L)	AEW 20/30/36	22-1/4	42-1/2	24-1/4	44-1/2	24-1/8	44-3/8	1



Phone: 281.441.6500  
 Toll Free: 800.423.9007  
 Fax: 281.441.6510  
[www.aspenmfg.com](http://www.aspenmfg.com)



## PRODUCT DIMENSIONS & SPECIFICATIONS

### AFL SERIES MULTI-POSITION HIGH EFFICIENCY HYDRONIC FURNACE

#### STANDARD FEATURES

##### APPLICATION VERSATILITY

Upflow, downflow, horizontal left or horizontal right as shipped.

##### MOTOR

X-13 has 5 speed taps, Variable speed available with special wiring. Motors are pre-programmed at the factory.

##### CABINET

Sturdy, low profile galvanized steel cabinet with painted front panels. Cabinet fully insulated with 1/2" faced insulation to prevent sweating and mold growth, to encapsulate glass fibers, and to provide excellent R-value. Stick pins ensure insulation remains in place. Units ship with disposable filter in filter rack.

##### MODULAR HYDRONIC HEAT KITS

Standard Heats kits available with either circuit breakers or terminal blocks and are easily installed in the field using molex plugs or can be ordered factory-installed. Freeze stat is standard, wired into circulating pump control circuit. Controls are accessible from the front for easy service. Electrical connections can be made from the top or left. Fan time delay relay standard for increased efficiency. Heat kits are available with or without circulating pump and check valve. Units are provided with auxiliary relay for remote pump. Schrader ports are standard on water-out manifold, hose bib available as an option.

##### BLOWER

Direct drive multi-speed blowers circulate air quietly and efficiently and allow for precise air volume selection. 5 Motor speeds can be easily selected via motor terminals. Blowers mounted on rails so they can be easily removed for service.

##### WARRANTY

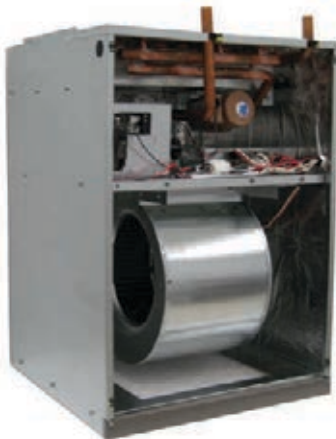
Five-year limited parts warranty.

##### OPTIONS

See options menu.



Representative image only. Some models may vary in appearance. Due to continuous product improvement, specifications are subject to change without notice.



AFL AIR HANDLERS

Phone: 281.441.6500  
Toll Free: 800.423.9007  
Fax: 281.441.6510  
[www.aspenmfg.com](http://www.aspenmfg.com)



\* For complete warranty details visit [www.aspenmfg.com](http://www.aspenmfg.com).

Revised 12/21/16. In keeping with its policy of continuous progress and product improvement, Aspen reserves the right to make changes without notice and incurring obligation. © 2016

## HEATING AND COOLING PERFORMANCE AND ELECTRICAL DATA

UNIT MODEL	HYDRONIC HEAT KIT MODEL	PERFORMANCE DATA								ELECTRICAL DATA	
		MOTOR SPEED TAP	HEATING COIL		Δ P FT. WATER	HEATING AT 3.5 GPM CAPACITY BTU/HR at 3.5 GPM				MIN. CIR. AMPACITY 120 volt	MAX FUSE OR CIRCUIT BREAKER
			ROW	SLAB SIZE		120°	140°	160°	180°		
AFLS	WC2SP	2	2	18 x 12	2.8	17700	24900	32300	39600	6.7	15
		1	2	18 x 12	2.8	20200	28500	36900	45400		
	WC3SP	2	3	18 x 12	2.1	21600	30500	39400	48400		
		1	3	18 x 12	2.1	25000	35300	45800	56300		
	WC2SR	2	2	18 x 12	5.6	18700	26400	34100	41900	8.3	15
		1	2	18 x 12	5.6	21600	30500	39500	48500		
	WC3SR	2	3	18 x 12	4.2	22900	32300	41700	51200		
		1	3	18 x 12	4.2	26900	38000	49100	60300		
AFLM	WC2SP	2	2	18 x 12	2.8	22100	31300	40500	49900	9.2	15
		1	2	18 x 12	2.8	23700	33500	43500	53600		
	WC3SP	2	3	18 x 12	2.1	27700	39100	50700	62400		
		1	3	18 x 12	2.1	29800	42100	54700	67300		
	WC4SP	2	4	18 x 12	1.1	31000	43900	57000	70100	10.8	15
		1	4	18 x 12	1.1	33500	47400	61500	75800		
	WC2SR	2	2	18 x 12	5.6	23900	33800	43700	53800		
		1	2	18 x 12	5.6	25800	36500	47300	58200		
	WC3SR	2	3	18 x 12	4.2	30100	42500	55100	67700		
		1	3	18 x 12	4.2	32800	46300	60000	73700		
	WC4SR	2	4	18 x 12	2.2	34000	48000	62300	76600		
		1	4	18 x 12	2.2	37200	52600	68100	83800		
AFLF	WC2LP	3	2	22 x 14.5	3.6	30200	42600	55300	68000	14.3	15
		2	2	22 x 14.5	3.6	31700	44800	58000	71400		
		1	2	22 x 14.5	3.6	32900	46600	60400	74400		
	WC3LP	3	3	22 x 14.5	1.7	36300	51400	66700	76600		
		2	3	22 x 14.5	1.7	38200	54000	70100	80600		
		1	3	22 x 14.5	1.7	39700	56200	73000	84000		
	WC4LP	3	4	22 x 14.5	1.1	43600	61600	79900	92900		
		2	4	22 x 14.5	1.1	45900	64900	84200	98000		
		1	4	22 x 14.5	1.1	47800	67600	87700	102200		
	WC2LR	3	2	22 x 14.5	7.2	33200	46800	60600	74500	15.8	15
		2	2	22 x 14.5	7.2	35000	49400	64000	78700		
		1	2	22 x 14.5	7.2	36600	51800	67100	82500		
	WC3LR	3	3	22 x 14.5	3.4	40500	57300	74200	84400		
		2	3	22 x 14.5	3.4	42900	60700	78600	89500		
		1	3	22 x 14.5	3.4	45000	63600	82500	94000		
	WC4LR	3	4	22 x 14.5	2.2	49000	69300	89700	103600		
		2	4	22 x 14.5	2.2	52200	73800	95600	110400		
		1	4	22 x 14.5	2.2	55000	77700	100800	116300		

AIR HANDLERS **AFL**

### X-13 BLOWER DATA

MODEL	MOTOR SPEED	CFM V. EXTERNAL STATIC*				
		0.10	0.20	0.30	0.40	0.50
AFLS+ WC2SR WC3SR	1	900	855	800	740	675
	2	670	650	615	600	550
	3	460	445	420	400	385
	4	900	855	800	740	675
	5	350	335	315	300	280
AFLM+ WC2SR WC3SR WC4SR	1	1200	1130	1085	1030	985
	2	1140	1090	1030	975	910
	3	905	870	835	800	740
	4	760	730	695	650	605
	5	475	450	425	400	375
AFL+ WC2LR WC3LR WC4LR	1	1875	1800	1730	1690	1625
	2	1705	1660	1600	1530	1480
	3	1495	1460	1430	1400	1365
	4	1340	1295	1255	1200	1140
	5	910	875	840	800	745

\* Dry coil with filter in place

### PHYSICAL DATA

MODEL		AFLS	AFLM	AFL
TRANSFORMER		40 VA, CLASS 2. 120 VOLT PRIMARY, 24 VOLT SECONDARY		
VOLTAGE		120 VOLT - 60HZ		
FILTER SIZE		16x20x1	16x20x1	20x20x1
BLOWER DATA	WHEEL (DIA." x WIDTH")	9 x 6	10 x 8	12 x 9
	MOTOR HP	1/3	1/2	1
	MOTOR F.L.A.	4.8	6.8	10.9
	FACTORY SPEED TAP	TAP 1	TAP 1	TAP 1
	NOMINAL CFM RANGE	800-300	1200-400	1800-800
PUMP DATA 006 STANDARD	PUMP VOLTAGE	115		
	PUMP HP	1/40		
	PUMP AMPS	.52		
PUMP DATA 009 SPECIAL	PUMP VOLTAGE	115		
	PUMP HP	1/8		
	PUMP AMPS	1.8		

### AIR HANDLER CHASSIS NOMENCLATURE

AFL	S	-001
AFL = 120V X13 Motor Low Boy Hydronic Furnace	S = 18 & 24 M = 30 & 36 L = 42, 48 & 60	Option Code

### HYDRONIC HEAT KIT NOMENCLATURE

W	C	2	S	P
Multi-position Hydronic Heat	<u>Interruption</u> C = Circuit Breaker T = Terminal Block	# of rows 2 = 2 rows 3 = 3 rows 4 = 4rows	S = 18, 24, 30, 36 L = 42, 48, 60	P = with 006 pump R = with 009 pump L = less pump

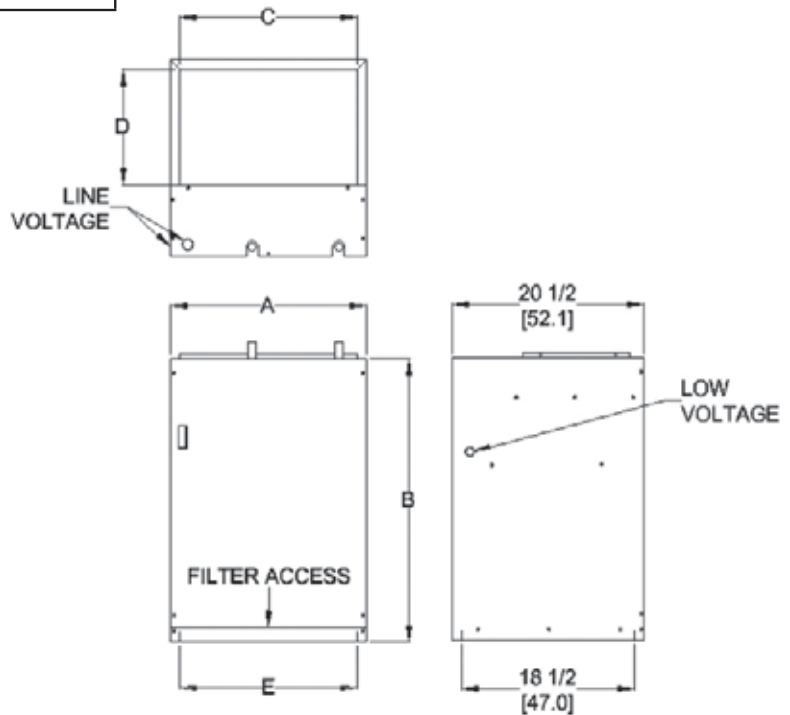
AFL AIR HANDLERS

## DIMENSIONS AND SPECIFICATIONS

MODEL	WIDTH A"	HEIGHT B"	DUCT OPENING		BOTTOM OPENING	FILTER SIZE	SHIP WEIGHT (LBS)	SKID QTY
			C"	D"	E"			
AFLS	21	21	18-3/4	12	18-1/2	16 x 16	83	8
AFLM	21	21	18-3/4	12	18-1/2	16 x 16	85	6
AFL	24-1/2	21	22-1/4	14-1/2	22-1/4	20 x 20	110	6

## INSTALLATION CLEARANCES

	OPERATION	SERVICE
TOP	0"	0"
FRONT	0"	30"
SIDES	0"	0"
REAR	0"	0"



AIR HANDLERS AFL



Phone: 281.441.6500  
 Toll Free: 800.423.9007  
 Fax: 281.441.6510  
[www.aspenmfg.com](http://www.aspenmfg.com)





## PRODUCT DIMENSIONS & SPECIFICATIONS

### AFM SERIES HIGH EFFICIENCY MULTI-POSITION HYDRONIC HEAT DX COOL AIR HANDLERS



Representative image only. Some models may vary in appearance. Due to continuous product improvement, specifications are subject to change without notice.



#### STANDARD FEATURES

##### APPLICATION VERSATILITY

Upflow or horizontal right as shipped (field-convertible for down-flow or horizontal left applications). Can be AHRI certified with most brands of air conditioners or heat pumps. ETL listed for use with either R22 or R410a when a proper metering device is used.

##### MOTOR

Constant torque ECM speeds and torques are controlled by software embedded in the motor to maintain constant torque. Motors are pre-programmed at the factory.

##### CABINET

Sturdy, galvanized steel cabinet with painted front panels. Cabinet fully insulated with 1/2" micro mat non-hygroscopic insulation to prevent sweating and mold growth, to encapsulate glass fibers, and to provide excellent R-value. Stick pins ensure insulation remains in place. Units ship with disposable filter in filter rack.

##### BLOWER

Direct drive blowers circulate air quietly and efficiently. Motor speeds and torques programmed in the motor. Blowers mounted on rails so they can be easily removed for service.

##### ELECTRONIC CONTROL BOARD

An electronic board controls the functioning of the system reducing moving parts. The board provides for various hot water supply source connections and the blower time delay to maximize heat/cool extraction. As an enhanced feature the pump circulates hot water every 6 hours to prevent coil freeze during off cycle.

##### MODULAR HYDRONIC HEAT KITS

Heat kits available with either circuit breakers or terminal blocks. Available in 2, 3 & 4 row, providing 16,000 to 59,000 BTU's of heat. Heat kits are easily installed in the field using mox plugs or can be ordered factory-installed. Freeze stat is standard, wired into circulating pump control circuit. Controls are accessible from the front for easy service. Electrical connections can be made from the top or left. Disconnect does not protrude through the wall panel. Fan time delay relay standard for increased efficiency. Heat kits are available with or without circulating pump and check valve. Units are provided with auxiliary relay for remote pump. Schrader ports are standard on water-out manifold, hose bib available as an option.

##### DX COIL

High efficiency rifled copper tubes/enhanced aluminum fins provide maximum heat transfer. All coils immersion tested at 500 psi then nitrogen pressurized and factory sealed for maximum reliability. Liquid-line Schrader allows pre-installation pressure testing. Available with either orifice or TXV metering device. Field-installable bolt-on TXVs are also available. Rugged, UV safe, GLP drain pan holds minimal condensate while eliminating the possibility of corrosion. Galvanized metal drain pan with bottom primary and secondary drain connections or alternate right side primary. All connections 3/4" FPT. Access door allows for coil cleaning.

##### WARRANTY

Five-year limited parts warranty.

##### OPTIONS

See options menu.

AFM AIR HANDLERS

Phone: 281.441.6500  
Toll Free: 800.423.9007  
Fax: 281.441.6510  
[www.aspenmfg.com](http://www.aspenmfg.com)



\* For complete warranty details visit [www.aspenmfg.com](http://www.aspenmfg.com).

Revised 01/11/17. In keeping with its policy of continuous progress and product improvement, Aspen reserves the right to make changes without notice and incurring obligation. © 2017

**HEATING AND COOLING PERFORMANCE AND ELECTRICAL DATA**

UNIT MODEL	PERFORMANCE DATA								ELECTRICAL DATA	
	HYDRONIC HEAT KIT MODEL	NOMINAL COOLING	HEATING COIL		Hydronic Coil Delta P. Ft. Water	HEATING AT 3.5 GPM CAPACITY BTU/HR at 3.5 GPM			MIN.CIR. AMPACITY 120 volt	MAX FUZE OR CIRCUIT BREAKER
			ROW	SIZE		ENTERING WATER TEMP				
						120°	140°	180°		
AFM 18, 19	W(C,T)2S(P,L)	1.5	2	18"x12"	2.8	17700	24900	39600	6.6	15
	W(C,T)3S(P,L)		3	18"x12"	2.1	21600	30500	48400		
AFM 24, 25	W(C,T)2S(P,L)	2	2	18"x12"	2.8	20200	28500	45400	6.6	15
	W(C,T)3S(P,L)		3	18"x12"	2.1	25000	35300	56300		
AFM 30, 31	W(C,T)2S(P,L)	2.5	2	18"x12"	2.8	22100	31300	49900	9.1	20
	W(C,T)3S(P,L)		3	18"x12"	2.1	27700	39100	62400		
	W(C,T)4S(P,L)		4	18"x12"	1.1	31000	43900	70100		
AFM 36, 37	W(C,T)2S(P,L)	3	2	18"x12"	2.8	23700	33500	53600	9.1	20
	W(C,T)3S(P,L)		3	18"x12"	2.1	29800	42100	67300		
	W(C,T)4S(P,L)		4	18"x12"	1.1	33500	47400	75800		
AFM 42, 43	W(C,T)2L(P,L)	3.5	2	22"x14.5"	3.6	30200	42600	68000	14.3	30
	W(C,T)3L(P,L)		3	22"x14.5"	1.7	36300	51400	76600		
	W(C,T)4L(P,L)		4	22"x14.5"	1.1	43600	61600	92900		
AFM 48, 49	W(C,T)2L(P,L)	4	2	22"x14.5"	3.6	31700	44800	71400	14.3	30
	W(C,T)3L(P,L)		3	22"x14.5"	1.7	38200	54000	80600		
	W(C,T)4L(P,L)		4	22"x14.5"	1.1	45900	64900	98000		
AFM 60, 61	W(C,T)2L(P,L)	5	2	22"x14.5"	3.6	32900	46600	74400	14.3	30
	W(C,T)3L(P,L)		3	22"x14.5"	1.7	39700	56200	84000		
	W(C,T)4L(P,L)		4	22"x14.5"	1.1	47800	67600	102200		
UNIT MODEL	PERFORMANCE DATA								ELECTRICAL DATA	
	HYDRONIC HEAT KIT MODEL	NOMINAL COOLING	HEATING COIL		Hydronic Coil Delta P. Ft. Water	HEATING AT 5 GPM CAPACITY BTU/HR at 5 GPM			MIN.CIR. AMPACITY 120 volt	MAX FUZE OR CIRCUIT BREAKER
			ROW	SIZE		ENTERING WATER TEMP				
						120°	140°	180°		
AFM 18/19/24/25	W(C,T)2S(P,L)	Low	2	18"x12"	5.6	18700	26400	41900	6.6	15
	W(C,T)2S(P,L)	High	2	18"x12"	5.6	22600	31600	49500		
	W(C,T)3S(P,L)	Low	3	18"x12"	4.2	22900	32300	51200		
	W(C,T)3S(P,L)	High	3	18"x12"	4.2	26900	38000	60300		
AFM 30/31/36/37	W(C,T)2S(P,L)	Low	2	18"x12"	5.6	23900	33800	53800	9.1	20
	W(C,T)2S(P,L)	High	2	18"x12"	5.6	25800	36500	58200		
	W(C,T)3S(P,L)	Low	3	18"x12"	4.2	30100	42500	67700		
	W(C,T)3S(P,L)	High	3	18"x12"	4.2	32800	46300	73700		
	W(C,T)4L(P,L)	Low	4	18"x12"	2.2	34000	48000	76600		
	W(C,T)4L(P,L)	High	4	18"x12"	2.2	37200	52600	83800		
AFM 42/43/48/49/60/61	W(C,T)2L(P,L)	Low	2	22"x14.5"	5.6	33200	46800	74500	14.3	30
	W(C,T)2L(P,L)	High	2	22"x14.5"	5.6	36600	51800	82500		
	W(C,T)3L(P,L)	Low	3	22"x14.5"	4.2	40500	57300	84400		
	W(C,T)3L(P,L)	High	3	22"x14.5"	4.2	45000	63600	94000		
	W(C,T)4L(P,L)	Low	4	22"x14.5"	2.2	49000	69300	103600		
	W(C,T)4L(P,L)	High	4	22"x14.5"	2.2	55000	77700	116300		

**HYDRONIC HEAT KIT NOMENCLATURE**

W	C	2	S	P
Water heat (hydronic)	Interruption C = Circuit Breaker T = Terminal Block	2- 2 Row Hydronic Coil 3- 3 Row Hydronic Coil 4- 4 Row Hydronic Coil	S= 18-37, Coil size- 18 x 12 L= 42-61, Coil size- 22 x 14.5	P= w/pump L= less pump

## BLOWER DATA

MODEL	SPEED TAP	MOTOR HP	MOTOR AMPS	MOTOR VOLTAGE	CFM V. EXTERNAL STATIC*				
					0.10	0.20	0.30	0.40	0.50
AFM 18/19/24/25	TAP 5	1/3	4.8	120	900	853	797	738	673
	TAP 4				670	646	613	592	553
	TAP 3				500	476	452	421	400
	TAP 2				400	381	360	339	312
	TAP 1				900	853	797	738	673
AFM 30/31/36/37	TAP 5	1/2	6.8		1150	1087	1030	975	910
	TAP 4				1080	1048	1010	960	895
	TAP 3				900	862	825	796	745
	TAP 2				700	663	632	600	552
	TAP 1				500	473	449	421	395
AFM 42/43/48/60/61	TAP 5	1	10.9	1850	1806	1752	1700	1652	
	TAP 4			1704	1656	1600	1532	1479	
	TAP 3			1494	1461	1426	1400	1364	
	TAP 2			1350	1310	1272	1229	1175	
	TAP 1			676	652	621	600	559	

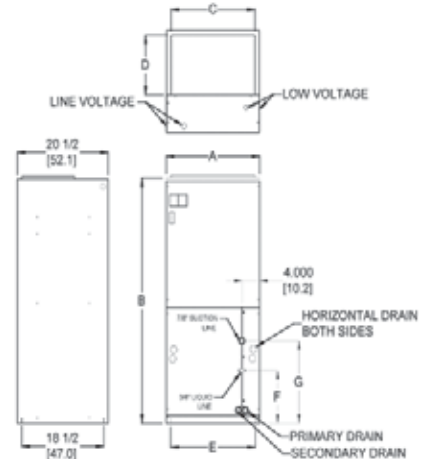
\*Dry coil

## AIR HANDLER CHASSIS NOMENCLATURE

AFM	18	G	-001
AFM = 120V Constant torque ECM Multi-Position Air Handler	Nominal tonnage (MBTUH)	Metering device 4 = non-bleed A/C or H/P R410 TXV B = 20% bleed A/C or H/P R22 TXV F = Flo-rater G = R410a Flo-rater X = non-bleed A/C or H/P R22 TXV	Option Code

## DIMENSIONS AND SPECIFICATIONS

MODEL	A"	B"	C"	D"	E"	F"	G"	FILTER SIZE	PISTON SIZE	SHIP WEIGHT (LBS)	SKID QTY
AFM18/19+W*	21 [53]	49 1/4 [125]	18-3/4 [48]	12 [30]	18-1/2 [47]	7-1/4 [18]	10-1/4 [26]	16X20	0.055	99	4
AFM24/25+W*	21 [53]	49 1/4 [125]	18-3/4 [48]	12 [30]	18-1/2 [47]	8-1/4 [21]	12-1/4 [31]	16X20	0.059	100	4
AFM30/31+W*	21 [53]	49 1/4 [125]	18-3/4 [48]	12 [30]	18-1/2 [47]	8-1/4 [21]	14-1/4 [36]	16X20	0.068	118	4
AFM36/37+W*	21 [53]	49 1/4 [125]	18-3/4 [48]	12 [30]	18-1/2 [47]	10-1/4 [26]	16-1/4 [41]	16X20	0.074	147	4
AFM42/43+W*	24-1/2 [62]	57 [145]	22-1/4 [57]	14-3/4 [37]	22 [56]	11 [28]	16 [41]	20X20	0.080	153	4
AFM48/49+W*	24-1/2 [62]	57 [145]	22-1/4 [57]	14-3/4 [37]	22 [56]	13 [33]	18 [46]	20X20	0.084	180	4
AFM60/61+W*	24-1/2 [62]	57 [145]	22-1/4 [57]	14-3/4 [37]	22 [56]	15 [38]	20 [51]	20X20	0.092	200	4



Phone: 281.441.6500  
 Toll Free: 800.423.9007  
 Fax: 281.441.6510  
[www.aspenmfg.com](http://www.aspenmfg.com)

AFM AIR HANDLERS



## PRODUCT DIMENSIONS & SPECIFICATIONS

### AFW SERIES WALL MOUNT HYDRONIC HEAT DX COOL AIR HANDLERS

#### STANDARD FEATURES

##### APPLICATION VERSATILITY

Front or bottom return air. Offset hanging brackets attach to unit and wall to allow hanging inside closet. Can be AHRI matched with most brands of air conditioners or heat pumps. ETL listed for use with either R22 or R410a when a proper metering device is used.

##### MOTOR

Pre-programmed, 5-speed, ECM motors that ensure higher efficiency and increased energy savings by delivering constant torque during operation.

##### CABINET

Sturdy, short galvanized steel cabinet with painted front panels. Cabinet fully insulated with 1/2" micro mat non-hygroscopic insulation to prevent sweating and mold growth, to encapsulate glass fibers, and to provide excellent R-value. Stick pins ensure insulation remains in place. Units ship with disposable filter in filter rack. Low leak cabinet features are standard.

##### MODULAR HYDRONIC HEAT KITS

Heat kits available with either circuit breakers or terminal blocks. Available in 2, 3 & 4 row, providing 16,000 to 59,000 BTU's of heat. Heat kits are easily installed in the field using molex plugs or can be ordered factory-installed. Freeze stat is standard, wired into circulating pump control circuit. Controls are accessible from the front for easy service. Electrical connections can be made from the top or left. Disconnect does not protrude through the wall panel. Fan time delay relay standard for increased efficiency. Heat kits are available with or without circulating pump and check valve. Units are provided with auxiliary relay for remote pump. Schrader ports are standard on water-out manifold, hose bib available as an option. Totally lead free constructed coil. Suitable for potable applications.

##### BLOWER

Direct drive multi-speed blowers circulate air quietly and efficiently. Motor speeds can be easily selected via motor terminals. Swing mounted blowers can be easily removed for service.

##### ELECTRONIC CONTROL BOARD

An electronic board controls the functioning of the system reducing moving parts. The board provides for various hot water supply source connections and the blower time delay to maximize heat/cool extraction. As an enhanced feature the pump circulates hot water every 6 hours to prevent coil freeze during off cycle.

##### DX COIL

High efficiency rifled copper tubes/enhanced aluminum fins provide maximum heat transfer. All coils immersion tested at 500 psi then nitrogen pressurized and factory sealed for maximum reliability. Liquid-line Schrader allows pre-installation pressure testing. Available with either check style flowrater or TXV metering device. Field-installable TXVs are also available. Galvanized metal drain pan with bottom primary and secondary drain connections or alternate right side primary. All connections 3/4" FPT. Access door allows for coil cleaning.

##### WARRANTY

Five-year limited parts warranty.

##### OPTIONS

See options menu.



Representative image only. Some models may vary in appearance. Due to continuous product improvement, specifications are subject to change without notice.



AFW

AIR HANDLERS

Phone: 281.441.6500  
Toll Free: 800.423.9007  
Fax: 281.441.6510  
[www.aspenmfg.com](http://www.aspenmfg.com)



\* For complete warranty details visit [www.aspenmfg.com](http://www.aspenmfg.com).

Revised 08/08/16. In keeping with its policy of continuous progress and product improvement, Aspen reserves the right to make changes without notice and incurring obligation. © 2016

## HEATING AND COOLING PERFORMANCE AND ELECTRICAL DATA

UNIT MODEL	PERFORMANCE DATA							ELECTRICAL DATA	
	HYDRONIC HEAT KIT MODEL	NOMINAL COOLING	HEATING COIL	Hydronic Coil Delta P. Ft. Water	HEATING AT 3 GPM CAPACITY BTU/HR at 3 GPM			MIN.CIR. AMPACITY 120 volt	MAX FUSE OR CIRCUIT BREAKER
					ENTERING WATER TEMP				
ROW	120°	140°	180°						
AFW 18	W(C,T)2S(P,L)	1.5	2	3	16100	22800	36300	4.1	15
	W(C,T)3S(P,L)		3	1.8	18500	26100	41600		
AFW 24	W(C,T)2S(P,L)	2	2	3	18200	25800	41200	4.1	15
	W(C,T)3S(P,L)		3	1.8	21200	29200	47700		
AFW 30	W(C,T)2S(P,L)	2.5	2	3	19900	28100	45000	7.4	15
	W(C,T)3S(P,L)		3	1.8	23200	32800	52400		
	W(C,T)4S(P,L)		4	1.1	24300	34400	54900		
AFW 36	W(C,T)2S(P,L)	3	2	3	21200	30000	48000	7.4	15
	W(C,T)3S(P,L)		3	1.8	24800	35200	56200		
	W(C,T)4S(P,L)		4	1.1	26100	36900	59000		

## BLOWER DATA

MODEL	SPEED TAP	MOTOR HP	MOTOR AMPS	MOTOR VOLTAGE	CFM V. EXTERNAL STATIC *				
					0.10	0.20	0.30	0.40	0.50
AFW18 & AFW 24	TAP 5	1/3	4.8	120	900	851	800	742	682
	TAP 4				652	630	591	556	530
	TAP 3				500	476	452	421	400
	TAP 2				400	381	360	339	312
	TAP 1				900	851	800	742	682
AFW30 & AFW36	TAP 5	1/2	6.8		1150	1087	1030	975	910
	TAP 4				1080	1048	1010	960	895
	TAP 3				900	862	825	796	745
	TAP 2				700	663	632	600	552
	TAP 1				500	473	449	421	395

\*Dry coil with filter

## AIR HANDLER CHASSIS NOMENCLATURE

AFW	18	G	-001
AFW = 115V X13 Motor Vertical Wall Mount	Nominal tonnage (MBTUH)	Metering device 4 = non-bleed A/C or H/P R410 TXV B = 20% bleed A/C or H/P R22 TXV F = Flo-rater G = R410a Flo-rater X = non-bleed A/C or H/P R22 TXV	Option Code

## HYDRONIC HEAT KIT NOMENCLATURE

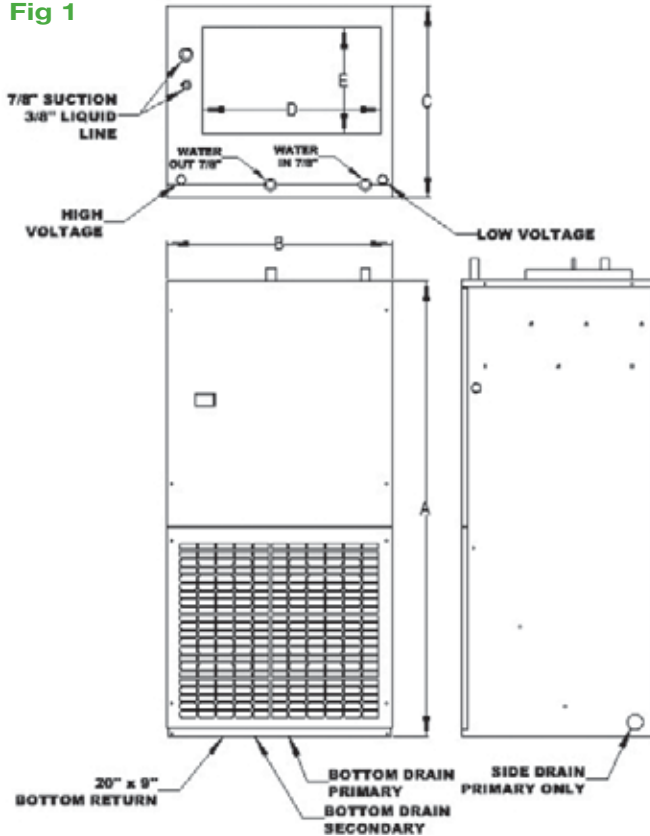
U	C	2	S	P
Wall Mount Hydronic Heat	Interruption C = Circuit Breaker T = Terminal Block	# of rows 2 = 2 rows 3 = 3 rows 4 = 4 rows	S = 18 - 36	P = with pump L = less pump

# AFW AIR HANDLERS

## DIMENSIONS AND SPECIFICATIONS (Fig 1)

MODEL	HEIGHT A"	WIDTH B"	DEPTH C"	D"	E"	FILTER SIZE	PISTON SIZE	SHIP WEIGHT (LBS)	SKID QTY
AFW18*	44-1/2 (113)	22 (56)	18 3/4 (48)	17 5/8 (45)	10-1/2 (27)	20X20	0.055	110	4
AFW24*	44-1/2 (113)	22 (56)	18 3/4 (48)	17 5/8 (45)	10-1/2 (27)	20X20	0.059	110	4
AFW30*	44-1/2 (113)	22 (56)	18 3/4 (48)	17 5/8 (45)	10-1/2 (27)	20X20	0.068	118	4
AFW36*	44-1/2 (113)	22 (56)	18 3/4 (48)	17 5/8 (45)	10-1/2 (27)	20X20	0.074	118	4

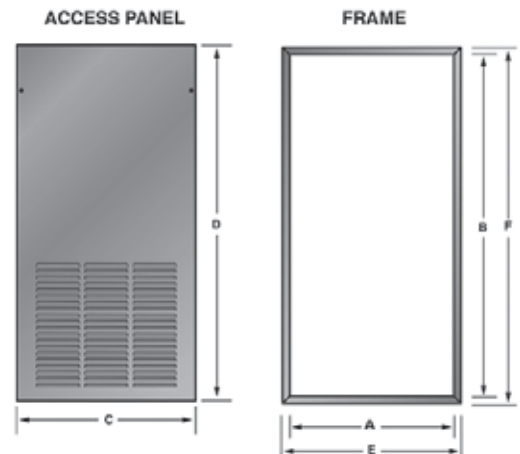
**Fig 1**



## INSTALLATION CLEARANCES

	OPERATION	SERVICE
TOP	0"	0"
FRONT	0"	30"
SIDES	0"	0"
REAR	0"	0"

**Fig 2**



## ACCESS PANEL DIMENSIONS AND SPECIFICATIONS (Fig 2)

PANEL MODEL	FOR USE WITH	OPENING SIZE		PANEL DIMENSION		FRAME DIMENSION		# OF PANELS
		A	B	C	D	E	F	
WAD-9[S/L]	AFW	22-1/4	46	24-1/4	48	24-1/8	47-7/8	1
WAD-10[S/L] [+ 6"]	AFW	22-1/4	52	24-1/4	54	24-1/8	47-7/8	1



Phone: 281.441.6500  
 Toll Free: 800.423.9007  
 Fax: 281.441.6510  
[www.aspenmfg.com](http://www.aspenmfg.com)





## PRODUCT DIMENSIONS & SPECIFICATIONS

### CEILING AND WALL ACCESS DOORS



#### STANDARD FEATURES

##### VERSATILITY

Equipped with hidden frame feature. Fastens to the outside wall surface and does not have to perfectly match the hole opening. Frame screws are not visible after installation. Available in either solid (S) or louvered (L) style.

##### MATERIALS

Galvanized steel construction with powder paint finish. Can be latex painted in the field.

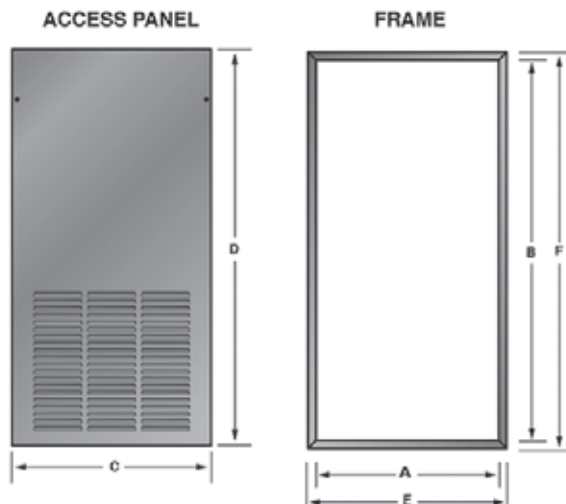
##### WARRANTY

Five-year limited parts warranty.

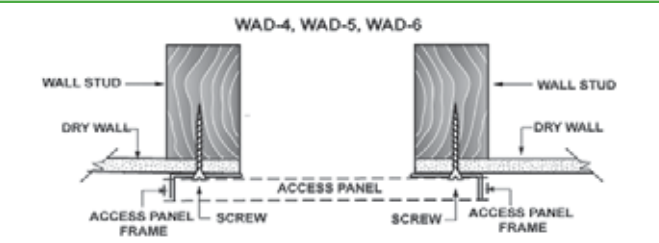
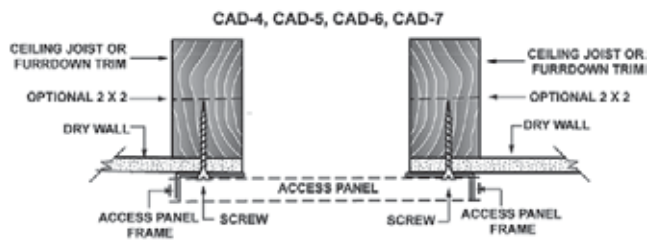
#### DIMENSIONS AND SPECIFICATIONS

PANEL MODEL	FOR USE WITH	OPENING SIZE		PANEL DIMENSION		FRAME DIMENSION		# OF PANELS
		A	B	C	D	E	F	
CAD-4(S/L)	FCB	22-3/4	58	24-3/4	60	24-5/8	59-7/8	2
CAD-5(S/L)	FFC/FFD 18/24	23-7/8	47-5/8	25-7/8	49-5/8	25-3/4	49-1/2	2
CAD-5W(S/L)	FFW 18/24	23-7/8	57-5/8	25-7/8	59-5/8	25-3/4	59-1/2	2
CAD-6(S/L)	FCW	22-3/4	64	24-3/4	66	24-5/8	65-7/8	2
CAD-7(S/L)	FFC/FFD 30/36 FFW 30/36	23-7/8	61-7/8	25-7/8	63-7/8	25-3/4	63-3/4	2
WAD-4(S/L)	FTB	20-3/4	39-1/2	22-3/4	41-1/2	22-5/8	41-3/8	1
WAD-5(S/L)	FWB	20-3/4	44	22-3/4	46	22-5/8	45-7/8	1
WAD-6(S/L)	FWB-013	20-3/4	50	22-3/4	52	22-5/8	51-7/8	1
WAD-7(S/L)	AAW/AEW 18/24	22-1/4	39-1/2	24-1/4	41-1/2	24-1/8	41-3/8	1
WAD-8(S/L)	AAW/AEW 30/36	22-1/4	42-1/2	24-1/4	44-1/2	24-1/8	44-3/8	1
WAD-9(S/L)	ABW/AFW	22-1/4	46	24-1/4	48	24-1/8	47-7/8	1
WAD-16(S/L)	ABW/AFW	22-1/4	52	24-1/4	54	24-1/8	53-7/8	1

NOTE: All CAD, WAD come with embossed material. WAD-16(S/L) comes with smooth material only.



#### INSTALLATION DETAIL



#123156 Revised 06/29/16. In keeping with its policy of continuous progress and product improvement, Aspen reserves the right to make changes without notice and incurring obligation. © 2016

CAD WAD  
MAD

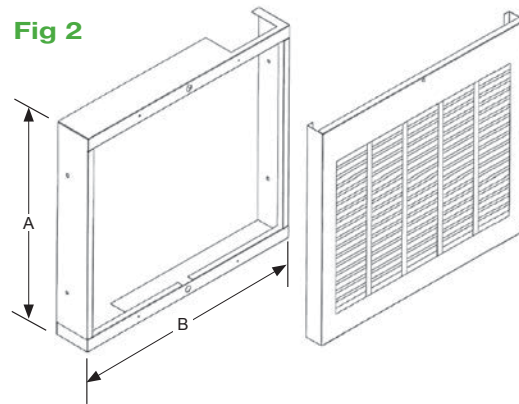
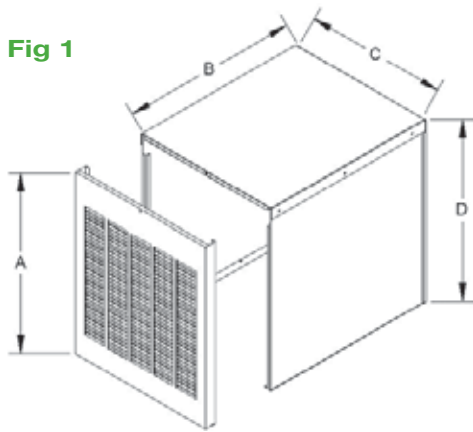
AIR HANDLERS

### Cabinet Dimensions and Specifications (Fig 1)

PANEL MODEL	FOR USE WITH	A	B	C	D
MAD-01(L/S)	AAN/AEN	18	23-1/2	19-3/4	18
MAD-02(L/S)	AAN/AEN	24			24
MAD-03(L/S)	AAN/AEN	36			36

### Door with Frame Kit Dimensions (Fig 2)

PANEL MODEL	FOR USE WITH	A	B
MAD-04(L)	AAN/AEN	24	19-3/4



**CAD WAD  
MAD**

**AIR HANDLERS**



Phone: 281.441.6500  
Toll Free: 800.423.9007  
Fax: 281.441.6510  
[www.aspenmfg.com](http://www.aspenmfg.com)



## PRODUCT DIMENSIONS & SPECIFICATIONS

### AAN DOWNFLOW MANUFACTURED HOME ELECTRIC FURNACE



Representative image only. Some models may vary in appearance. Due to continuous product improvement, specifications are subject to change without notice.



#### STANDARD FEATURES

##### APPLICATION VERSATILITY

Downflow only application. Can be installed in closet and alcove.

##### CABINET

Sturdy, galvanized steel cabinet with painted front panels. Cabinet fully insulated with 1/2" micro mat non-hygroscopic insulation to prevent sweating and mold growth, to encapsulate glass fibers, and to provide excellent R-value. Stick pins ensure insulation remains in place.

##### MODULAR HEAT KITS

Heat kits available with either circuit breakers or terminal blocks. Available from 3 to 20 KW. Models with electric heat include sequencers and temperature limit switches for safe, efficient operation. Modules are easily installed in the field using molex plugs or can be ordered factory-installed. Controls are accessible from the front for easy service. Disconnect does not protrude through the wall panel.

##### ELECTRONIC CIRCUIT BOARD

Electronic circuit board provides 30 secs ON/OFF blower time delay extracting more heat/cool from the coil.

##### BLOWER

Direct drive multi-speed blowers circulate air quietly and efficiently. 3-speed motor allows for precise air volume selection. Motor speeds can be easily selected via motor terminals. Blowers mounted on rails so they can be easily removed for service.

##### WARRANTY

Five-year limited parts warranty.

##### OPTIONS

See options menu.

MANUFACTURED HOUSING PRODUCTS / AAN

Phone: 281.441.6500  
Toll Free: 800.423.9007  
Fax: 281.441.6510  
[www.aspenmfg.com](http://www.aspenmfg.com)



\* For complete warranty details visit [www.aspenmfg.com](http://www.aspenmfg.com).

Revised 08/08/16. In keeping with its policy of continuous progress and product improvement, Aspen reserves the right to make changes without notice and incurring obligation. © 2016

## HEATING AND COOLING PERFORMANCE AND ELECTRICAL DATA

MODEL	HEAT KIT	PERFORMANCE DATA						ELECTRICAL DATA			
		NOMINAL COOLING (TONS)	FAN AMPS	HEATING (KW)		TOTAL UNIT AMPS		MIN-CIRCUIT AMPACITY		MAX FUSE OR CIRCUIT BREAKER	
				208V	240V	208V	240V	208V	240V	208V	240V
AAN 24	F(C,T)L00	2	3	0.0	0.0	2.7	3.0	3.4	3.8	15.0	15.0
	F(C,T)L03			2.3	3.0	13.8	15.5	17.2	19.4	20.0	25.0
	F(C,T)L05			3.8	5.0	21.0	23.8	26.2	29.8	30.0	35.0
	F(C,T)L08			6.1	8.0	32.0	36.3	40.0	45.4	45.0	50.0
	F(C,T)L10			6.8	9.0	35.4	40.5	44.2	50.6	50.0	60.0
AAN 30	F(C,T)L0	2.5	3	0.0	0.0	2.7	3.0	3.4	3.8	15.0	15.0
	F(C,T)L0			2.3	3.0	13.8	15.5	17.2	19.4	20.0	25.0
	F(C,T)L0			3.8	5.0	21.0	23.8	26.2	29.8	30.0	35.0
	F(C,T)L0			6.1	8.0	32.0	36.3	40.0	45.4	40.0	50.0
	F(C,T)L1			6.8	9.0	35.4	40.5	44.2	50.6	50.0	60.0
	F(C,T)L1			10.6	14.0	35.4/18.3	40.6/20.8	44.5/22.8	50.8/26.0	50/25	60/30
AAN 36	F(C,T)L0	3.0	3	0.0	0.0	2.7	3.0	3.4	3.8	15.0	15.0
	F(C,T)L0			2.3	3.0	13.8	15.5	17.2	19.4	20.0	25.0
	F(C,T)L0			3.8	5.0	21.0	23.8	26.2	29.8	30.0	35.0
	F(C,T)L0			6.1	8.0	32.0	36.3	40.0	45.4	45.0	50.0
	F(C,T)L1			6.8	9.0	35.4	40.5	44.2	50.6	50.0	60.0
	F(C,T)L1			10.6	14.0	35.4/18.3	40.6/20.8	44.5/22.8	50.8/26.0	50/25	60/30
AAN 42	F(C,T)L0	3.5	4.4	0.0	0.0	4.0	4.4	5.0	5.5	15.0	15.0
	F(C,T)L05			3.8	5.0	22.2	25.2	27.8	31.5	35.0	40.0
	F(C,T)L10			6.8	9.0	36.7	41.9	45.8	52.4	50.0	60.0
	F(C,T)L15			10.6	14.0	36.7/18.3	41.9/20.8	45.8/22.8	52.4/26.0	50/25	60/30
	F(C,T)L20			13.8	18.0	36.7/32.7	41.9/37.5	45.8/40.9	52.4/46.9	50/45	60/50
	F(C,T)L00			0.0	0.0	4.0	4.4	5.0	5.5	15.0	20.0
AAN 48	F(C,T)L05	4.0	4.4	3.8	5.0	22.2	25.2	27.8	31.5	35.0	40.0
	F(C,T)L10			6.8	9.0	36.7	41.9	45.8	52.4	50.0	60.0
	F(C,T)L15			10.6	14.0	36.7/18.3	42.1/20.8	45.8/22.8	52.4/26.0	50/25	60/30
	F(C,T)L20			13.8	18.0	36.7/32.7	42.1/37.5	45.8/40.9	52.4/46.9	50/45	60/50
	F(C,T)L00			0.0	0.0	4.0	4.4	5.0	5.5	15.0	20.0
AAN 60	F(C,T)L05	5.0	4.4	3.8	5.0	22.2	25.2	27.8	31.5	35.0	40.0
	F(C,T)L10			6.8	9.0	36.7	41.9	45.8	52.4	50.0	60.0
	F(C,T)L15			10.6	14.0	36.7/18.3	42.1/20.8	45.8/22.8	52.4/26.0	50/25	60/30
	F(C,T)L20			13.8	18.0	36.7/32.7	42.1/37.5	45.8/40.9	52.4/46.9	50/45	60/50
	F(C,T)L00			0.0	0.0	4.0	4.4	5.0	5.5	15.0	20.0

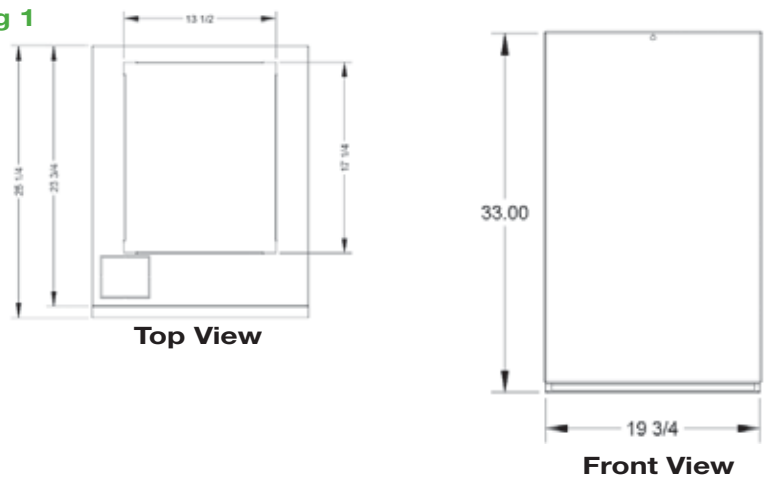
## BLOWER DATA

MODEL	MOTOR SPEED	MOTOR HP	MOTOR AMPS	MOTOR VOLTAGE	CFM V. EXTERNAL STATIC *				
					0.10	0.20	0.30	0.40	0.50
AAN 24/30/36	LOW	1/2	3	240	860	840	820	780	740
	HIGH				1260	1240	1220	1180	1140
AAN 42/48/60	LOW	3/4	4.4		1580	1520	1480	1440	1380
	MED				1700	1640	1560	1520	1460
	HIGH				1800	1720	1660	1620	1560

\*Wet Coil

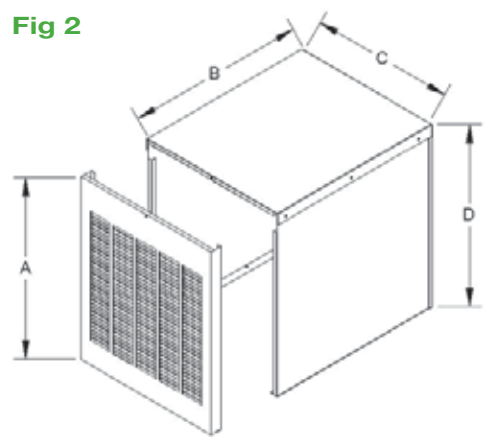
ELECTRIC HEAT KIT NOMENCLATURE			
F	C	L	03
Electric Heat	<u>Interruption</u> C = Circuit Breaker T = Terminal Block P = Circuit Breaker w/Single Point 3 = 3-Phase Circuit Breaker 4 = 3-Phase Terminal Block	L = 42-60	<u>Heat Strip</u> 00 = 0 KW 03 = 3 KW 05 = 5 KW 08 = 8 KW 10 = 10 KW 15 = 15 KW 20 = 20 KW

**Fig 1**

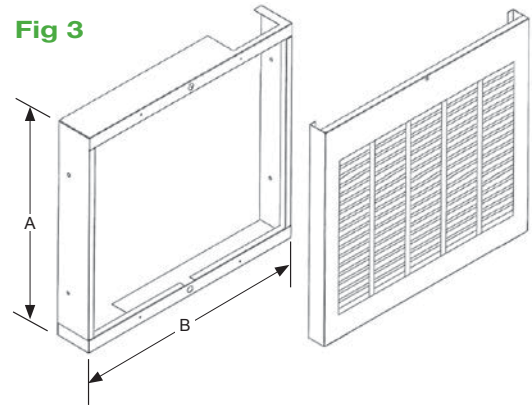


Cabinet Dimensions and Specifications (Fig 2)					
PANEL MODEL	FOR USE WITH	A	B	C	D
MAD-01(L)	AAN	18	23-1/2	19-3/4	18
MAD-02(L)	AAN	24			24
MAD-03(L)	AAN	36			36

**Fig 2**



**Fig 3**



Door with Frame Kit Dimensions (Fig 3)			
PANEL MODEL	FOR USE WITH	A	B
MAD-04(L)	AAN	24	19-3/4



Phone: 281.441.6500  
 Toll Free: 800.423.9007  
 Fax: 281.441.6510  
[www.aspenmfg.com](http://www.aspenmfg.com)





**PRODUCT DIMENSIONS & SPECIFICATIONS**

**AEN DOWNFLOW  
MANUFACTURED HOME  
ELECTRIC FURNACE**



Representative image only. Some models may vary in appearance. Due to continuous product improvement, specifications are subject to change without notice.



**STANDARD FEATURES**

**APPLICATION VERSATILITY**

Downflow only application. Can be installed in closet and alcove.

**MOTOR**

Constant torque ECM speeds and torques are controlled by software embedded in the motor to maintain constant torque. Motors are pre-programmed at the factory.

**CABINET**

Sturdy, galvanized steel cabinet with painted front panels. Cabinet fully insulated with 1/2" micro mat non-hygroscopic insulation to prevent sweating and mold growth, to encapsulate glass fibers, and to provide excellent R-value. Stick pins ensure insulation remains in place.

**MODULAR ELECTRIC HEAT KITS**

Heat kits available with either circuit breakers or terminal blocks. Available from 3 to 20 KW. Models with electric heat include sequencers and temperature limit switches for safe, efficient operation. Modules are easily installed in the field using molex plugs or can be ordered factory-installed. Controls are accessible from the front for easy service. Disconnect does not protrude through the wall panel.

**ELECTRONIC CIRCUIT BOARD**

Electronic circuit board provides 30 secs ON/OFF blower time delay extracting more heat/cool from the coil.

**BLOWER**

Direct drive blowers circulate air quietly and efficiently. Motor speeds and torques programmed in the motor. Blowers mounted on rails so they can be easily removed for service.

**WARRANTY**

Five-year limited parts warranty.

**OPTIONS**

See options menu.

Phone: 281.441.6500  
Toll Free: 800.423.9007  
Fax: 281.441.6510  
[www.aspenmfg.com](http://www.aspenmfg.com)



\* For complete warranty details visit [www.aspenmfg.com](http://www.aspenmfg.com).

Revised 08/08/16. In keeping with its policy of continuous progress and product improvement, Aspen reserves the right to make changes without notice and incurring obligation. © 2016



## HEATING AND COOLING PERFORMANCE AND ELECTRICAL DATA

MODEL	HEAT KIT	PERFORMANCE DATA						ELECTRICAL DATA			
		NOMINAL COOLING (TONS)	FAN AMPS	HEATING (KW)		TOTAL UNIT AMPS		MIN-CIRCUIT AMPACITY		MAX FUSE OR CIRCUIT BREAKER	
				208V	240V	208V	240V	208V	240V	208V	240V
AEN 24	F(C,T)L00	2	4.1	0.0	0.0	0.0	0.0	0.0	0.0	15.0	15.0
	F(C,T)L03			2.3	3.0	11.1	12.5	13.8	15.6	20.0	25.0
	F(C,T)L05			3.8	5.0	18.3	20.8	22.8	26.0	30.0	30.0
	F(C,T)L08			6.1	8.0	29.3	33.3	36.7	41.7	40.0	45.0
	F(C,T)L10			6.8	9.0	32.7	37.5	40.9	46.9	45.0	50.0
AEN 30	F(C,T)L00	2.5		0.0	0.0	0.0	0.0	0.0	0.0	15.0	15.0
	F(C,T)L03			2.3	3.0	11.1	12.5	13.8	15.6	20.0	25.0
	F(C,T)L05			3.8	5.0	18.3	20.8	22.8	26.0	30.0	30.0
	F(C,T)L08			6.1	8.0	29.3	33.3	36.7	41.7	40.0	45.0
	F(C,T)L10			6.8	9.0	32.7	37.5	40.9	46.9	45.0	50.0
	F(C,T)L15			10.6	14.0	36.4/18.3	41.6/20.8	45.5/22.8	52.0/26.0	50/25	60/30
AEN 36	F(C,T)L00	3.0		0.0	0.0	0.0	0.0	0.0	0.0	15.0	15.0
	F(C,T)L03			2.3	3.0	11.1	12.5	13.8	15.6	20.0	25.0
	F(C,T)L05			3.8	5.0	18.3	20.8	22.8	26.0	30.0	30.0
	F(C,T)L08			6.1	8.0	29.3	33.3	36.7	41.7	40.0	45.0
	F(C,T)L10		6.8	9.0	32.7	37.5	40.9	46.9	45.0	50.0	
	F(C,T)L15		10.6	14.0	36.4/18.3	41.6/20.8	45.5/22.8	52.0/26.0	50/25	60/30	
AEN 42	F(C,T)L00	3.5	0.0	0.0	0.0	0.0	0.0	0.0	15.0	15.0	
	F(C,T)L05		3.8	5.0	18.3	20.8	22.8	26.0	30.0	30.0	
	F(C,T)L10		6.8	9.0	32.7	37.5	40.9	46.9	45.0	50.0	
	F(C,T)L15		10.6	14.0	36.4/18.3	41.6/20.8	45.5/22.8	52.0/26.0	50/25	60/30	
	F(C,T)L20		13.8	18.0	36.4/32.7	41.6/37.5	45.5/40.9	52.0/46.9	50/45	60/50	
AEN 48	F(C,T)L00	4.0	0.0	0.0	0.0	0.0	0.0	0.0	15.0	20.0	
	F(C,T)L05		3.8	5.0	18.3	20.8	22.8	26.0	35.0	40.0	
	F(C,T)L10		6.8	9.0	32.7	37.5	40.9	46.9	55.0	60.0	
	F(C,T)L15		10.6	14.0	39.5/18.3	45.1/20.8	49.4/22.8	56.4/26.0	50/25	60/30	
	F(C,T)L20		13.8	18.0	39.5/32.7	45.1/37.5	49.4/40.9	56.4/46.9	50/45	60/50	
AEN 60	F(C,T)L00	5.0	0.0	0.0	0.0	0.0	0.0	0.0	15.0	20.0	
	F(C,T)L05		3.8	5.0	18.3	20.8	22.8	26.0	35.0	40.0	
	F(C,T)L10		6.8	9.0	32.7	37.5	40.9	46.9	55.0	60.0	
	F(C,T)L15		10.6	14.0	39.5/18.3	45.1/20.8	49.4/22.8	56.4/26.0	50/25	60/30	
	F(C,T)L20		13.8	18.0	39.5/32.7	45.1/37.5	49.4/40.9	56.4/46.9	50/45	60/50	

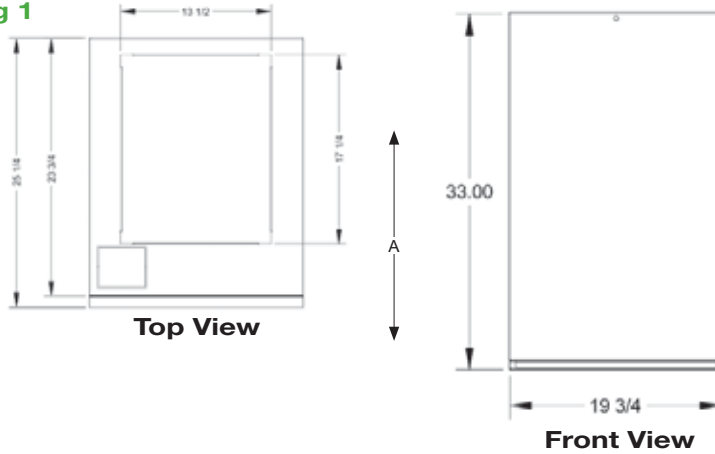
MANUFACTURED HOUSING PRODUCTS / AEN



**ELECTRIC HEAT KIT NOMENCLATURE**

F	C	L	03
Electric Heat	<p><u>Interruption</u>                      C = Circuit Breaker                      T = Terminal Block                      P = Circuit Breaker w/Single Point                      3 = 3-Phase Circuit Breaker                      4 = 3-Phase Terminal Block</p>	L = 42-60	<p><u>Heat Strip</u>                      00 = 0 KW                      03 = 3 KW                      05 = 5 KW                      08 = 8 KW                      10 = 10 KW                      15 = 15 KW                      20 = 20 KW</p>

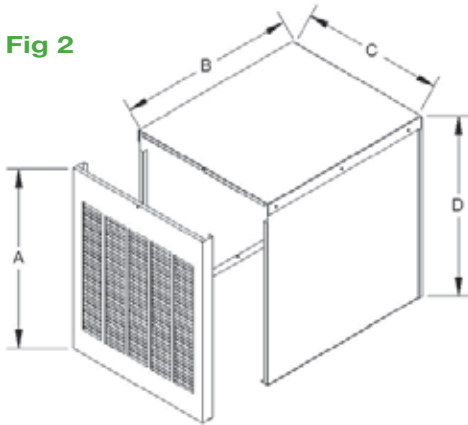
**Fig 1**



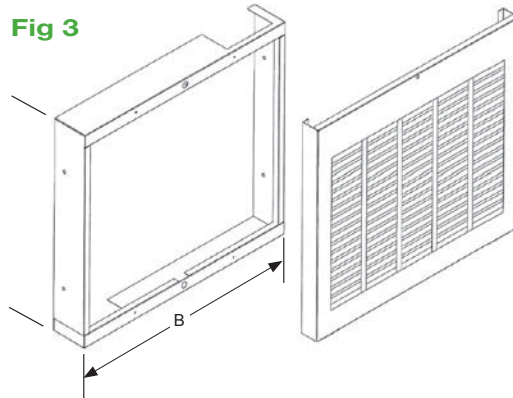
**Cabinet Dimensions and Specifications (Fig 2)**

PANEL MODEL	FOR USE WITH	A	B	C	D
MAD-01(L)	AEN	18	23-1/2	19-3/4	18
MAD-02(L)	AEN	24			24
MAD-03(L)	AEN	36			36

**Fig 2**



**Fig 3**



**Door with Frame Kit Dimensions (Fig 3)**

PANEL MODEL	FOR USE WITH	A	B
MAD-04(L)	AEN	24	19-3/4

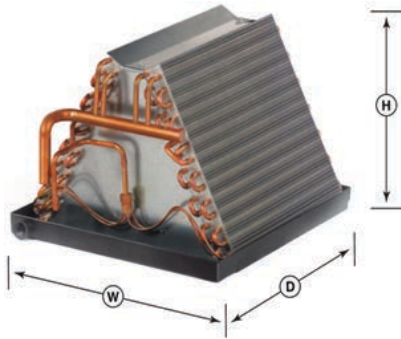


Phone: 281.441.6500  
 Toll Free: 800.423.9007  
 Fax: 281.441.6510  
[www.aspenmfg.com](http://www.aspenmfg.com)



## PRODUCT DIMENSIONS & SPECIFICATIONS

### DX-TREME CM SERIES UNCASSED DOWNFLOW COILS FOR USE WITH MANUFACTURED HOME FURNACES



Representative drawing only.  
Some models may vary in appearance.

#### STANDARD SPECIFICATIONS

- Riffled copper tubing, enhanced aluminum fins.
- Immersion-tested at 500 psi, then nitrogen-pressurized and sealed.
- Left-hand refrigerant and plumbing connections.
- Liquid line - 3/8" ODS, suction line - 3/4" ODS on 1-1/2-3 ton & 7/8" ODS on 3-1/2 - 5 ton.
- Liquid line Schrader valve for hiss-testing.
- Heavy duty polypropylene drain pans.
- Drain connection: 177L pans have single LH 3/4" FPT, 195L pan have quad drains, 3/4" FPT.
- Condensate drain elbow and flexible drain tubing included.
- Downflow plate kit included.
- AHRI certifiable with all brands of A/C and heat pump systems.
- ETL listed for use with both R-22 and R-410a when proper metering device is used.
- Ten-year limited warranty.

#### POPULAR OPTIONS:

- Factory or field-installable TXV.
- Schrader mounted on suction manifold.

COIL MODEL	PISTON SIZE		DIMENSIONS			SHIPPING INFORMATION			
	R22	R410a	PAN WIDTH [W]"	PAN DEPTH [D]"	BARE SLAB HEIGHT [H]"	SHIPPING WEIGHT [LBS]			SKID QTY
						2 ROW	3 ROW	4 ROW	
CM24A(2,3)*-177L	0.059	0.055	17-3/4	19-5/8	13-1/2	17	27	N/A	30
CM24B(2,3)*-177L	0.059	0.055	17-3/4	19-5/8	15-1/2	20	31	N/A	25
CM24C(2,3)*-177L	0.059	0.055	17-3/4	19-5/8	17-1/2	23	36	N/A	25
CM24D(2,3)*-177L	0.059	0.055	17-3/4	19-5/8	19-1/2	25	40	N/A	20
CM30A(2,3)*-177L	0.068	0.059	17-3/4	19-5/8	15-1/2	20	31	N/A	25
CM30B(2,3)*-177L	0.068	0.059	17-3/4	19-5/8	17-1/2	23	36	N/A	25
CM30C(2,3)*-177L	0.068	0.059	17-3/4	19-5/8	19-1/2	25	40	N/A	20
CM36A(2,3)*-177L	0.074	0.068	17-3/4	19-5/8	17-1/2	23	36	N/A	25
CM36B(2,3)*-177L	0.074	0.068	17-3/4	19-5/8	19-1/2	25	40	N/A	20
CM42A(2,3)*-177L	0.080	0.074	17-3/4	19-5/8	19-1/2	25	40	N/A	20
‡ CM48A3*-177L	0.084	0.080	17-3/4	19-5/8	21-1/2	N/A	45	N/A	16
‡ CM48A4*-195L	0.084	0.080	19-1/2	19-3/8	21-1/2	N/A	N/A	58	16
‡ CM48B3*-177L	0.084	0.080	17-3/4	19-5/8	23-1/2	N/A	49	N/A	12
‡ CM48B4*-195L	0.084	0.080	19-1/2	19-3/8	23-1/2	N/A	N/A	64	12
‡ CM48C3*-177L	0.084	0.080	17-3/4	19-5/8	25-1/2	N/A	54	N/A	12
‡ CM48C4*-195L	0.084	0.080	19-1/2	19-3/8	25-1/2	N/A	N/A	70	12
‡ CM48D3*-177L	0.084	0.080	17-3/4	19-5/8	27-1/2	N/A	58	N/A	12
‡ CM48D4*-195L	0.084	0.080	19-1/2	19-3/8	27-1/2	N/A	N/A	76	12
CM48E3*-177L	0.084	0.080	17-3/4	19-5/8	19-1/2	N/A	40	N/A	20
‡ CM60A(3,4)*-195L	0.092	0.089	19-1/2	19-3/8	25-1/2	N/A	54	70	12
‡ CM60B(3,4)*-195L	0.092	0.089	19-1/2	19-3/8	27-1/2	N/A	58	76	12

Notes: Do not use heavy duty plastic drain pans on oil furnaces or other applications where outlet temperatures may exceed 290°F +/-5°F.

Specify metal drain pans for these applications.

‡ These coils are intended to be mounted on top of the furnace, not inside the furnace cavity.

() number of rows available

\* Metering devices available - F = R22 flowrater; X = R22 TXV; 4 = R410a TXV; G = R410a flowrater

Phone: 281.441.6500  
Toll Free: 800.423.9007  
Fax: 281.441.6510  
[www.aspenmfg.com](http://www.aspenmfg.com)



\* For complete warranty details visit [www.aspenmfg.com](http://www.aspenmfg.com).

Revised 04/27/15. In keeping with its policy of continuous progress and product improvement, Aspen reserves the right to make changes without notice and incurring obligation. © 2015

MANUFACTURED HOUSING PRODUCTS / GM

# DX-treme Series Nomenclature

Revised 7/11/13

**22 A 24 A3 F -145 L -001**

①

②

③

④

⑤

⑥

⑦

⑧

⑧ Option Code

⑦ Refrigerant and plumbing connections  
L = left-hand  
R = right-hand

⑥ 22A Series: Drain pan width code  
22C, 22E Series: Furnace width code

⑤ Metering device  
F = R-22 Flo-rater  
G = R-410A Flo-rater  
B = 20% bleed A/C or H/P R22 TXV  
X = non-bleed A/C or H/P R22 TXV  
4 = non-bleed A/C or H/P R410 TXV  
6 = 20% bleed A/C or H/P R410 TXV

④ Coil descriptor code (face area, rows, fpi)

③ Nominal tonnage (MBTUH)

② Configuration  
A = uncased up/down  
C = cased up/down  
E = cased multi-position VersaCoil

① Series  
22 = 22 Series


LEGACY PRODUCTS




## PRODUCT DIMENSIONS & SPECIFICATIONS

### 22 SERIES R22 REPLACEMENT COILS


- Minimum inventory - 4 coils x width dimension
- Easy to define part number - begins with 22
- All coils are embossed steel - \$10 adder for paint
  - Five-year limited warranty

UNCASED UPFLOW/DOWNFLOW	COIL MODEL	FLOW RATOR SIZE	DIMENSIONS					SHIPPING INFORMATION		
			PAN WIDTHS				PAN DEPTH	BARE SLAB HEIGHT	SHIPPING WEIGHT (LBS)	SKID QTY
			13	16	19-1/2	23				
	22A24F-XXXL-003	0.059	13	16	19-1/2		19-3/8	12	17	30
	22A36F-XXXL-003	0.074	13	16	19-1/2		19-3/8	16	23	25
	22A48F-XXXL-003	0.084		16	19-1/2	23	19-3/8	20	28	16
	22A60F-XXXL-003	0.092			19-1/2	23	19-3/8	24	54	12

\*.003 option code indicates: schrader valve on suction line

CASED UPFLOW/DOWNFLOW	COIL MODEL	FLOW RATOR SIZE	DIMENSIONS				SHIPPING INFORMATION	
			MIN CABINET WIDTH	MAX CABINET WIDTH	CABINET DEPTH	CABINET HEIGHT	SHIPPING WEIGHT (LBS)	SKID QTY
	22C24F-XXXL-022	0.059	14	23	21-1/2	16	29	20
	22C36F-XXXL-022	0.074	14	23	21-1/2	20	39	16
	22C48F-XXXL-022	0.084	17	26-1/2	21-1/2	24	49	12
	22C60F-XXXL-022	0.092	20-1/2	26-1/2	21-1/2	28	75	12

\*.022 option code indicates: schrader mounted on suction line outside the cabinet, flanged top duct opening

CASED UPFLOW/DOWNFLOW	COIL MODEL	FLOW RATOR SIZE	DIMENSIONS				SHIPPING INFORMATION	
			MIN CABINET WIDTH	MAX CABINET WIDTH	CABINET DEPTH	CABINET HEIGHT	SHIPPING WEIGHT (LBS)	SKID QTY
	22E24F-XXXL-034	0.059	14	23	21-1/2	19	31	20
	22E36F-XXXL-034	0.074	14	23	21-1/2	23	41	12
	22E48F-XXXL-034	0.084	17	26-1/2	21-1/2	27	52	12
	22E60F-XXXL-034	0.092	20-1/2	26-1/2	21-1/2	30	78	10

\*.034 option code indicates: schrader on the suction line outside the cabinet, flanged top duct opening

Phone: 281.441.6500  
Toll Free: 800.423.9007  
Fax: 281.441.6510  
[www.aspenmfg.com](http://www.aspenmfg.com)

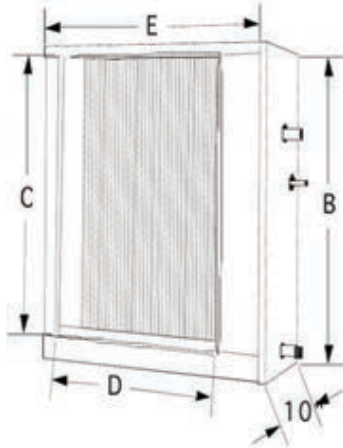


\* For complete warranty details visit [www.aspenmfg.com](http://www.aspenmfg.com).

Revised 06/01/15. In keeping with its policy of continuous progress and product improvement, Aspen reserves the right to make changes without notice and incurring obligation. © 2015

LEGACY PRODUCTS / 22

**BH SERIES HORIZONTAL COILS**



**GENERAL SPECIFICATIONS**

- Standard refrigerant connections: liquid line - 3/8" ODS, suction line - 7/8" ODS.
- Two 3/4" MPT condensate drains.
- Powder-painted metal drain pan. Stainless available.
- Five-year limited warranty.
- Flowrate standard. Factory or field-installable TXV available.
- Immersion-tested at 500 psi, then nitrogen-pressurized and sealed.
- Heavy gauge embossed galvanized cabinet fully lined with 1/2" faced insulation.
- Rifled copper tubing, enhanced aluminum fins.
- ETL listed.

Representative image only. Some models may vary in appearance. Due to continuous product improvement, specifications are subject to change without notice.

COIL MODEL	REPLACES	DIMENSIONS			
		HEIGHT (B)"	OPENING		LENGTH (E)"
			(C)"	(D)"	
<b>BHA SLAB HIGH HORIZONTAL COILS</b>					
BHA** 24	N/A	23-1/2	21	16	21-1/2
BHA** 36	N/A	23-1/2	21	24	29-1/2
BHA** 48	N/A	23-1/2	21	29	34-1/2
BHA** 60	N/A	25	21	29	34-1/2
<b>BHC HORIZONTAL COILS</b>					
BHC24 24	RTE524CH	21-1/2	17-1/2	22	27
BHC32 36	RTE536CH	21-1/2	17-1/2	22	27
BHC32 48	RTE48CH, 548CH	21-1/2	17-1/2	28	33
BHC32 60	RTE60CH	25-1/2	21-1/2	28	33
<b>BHL SLAB LOW HORIZONTAL COILS</b>					
BHL** 24	N/A	17	14-1/2	21-1/2	27
BHL** 36	N/A	17	14-1/2	21-1/2	27
BHL** 48	N/A	17	14-1/2	29	36
BHL** 60	N/A	21	18-1/2	29	36
<b>BHR SLAB HORIZONTAL COILS</b>					
BHR24 24	N/A	23-1/2	21	16	21-1/2
BHR32 36	N/A	23-1/2	21	16	21-1/2
BHR32 48	N/A	23-1/2	21	24	29-1/2
BHR32 60	N/A	25-1/2	21	24	29-1/2
<b>BH232 60 SLAB HIGH HORIZONTAL COILS</b>					
BH232 60	N/A	23-1/2	21	33-3/4	39-1/4

Phone: 281.441.6500  
Toll Free: 800.423.9007  
Fax: 281.441.6510  
[www.aspenmfg.com](http://www.aspenmfg.com)



\* For complete warranty details visit [www.aspenmfg.com](http://www.aspenmfg.com).

Revised 11/03/16. In keeping with its policy of continuous progress and product improvement, Aspen reserves the right to make changes without notice and incurring obligation. © 2016

**LEGACY PRODUCTS BH\***





## PRODUCT DIMENSIONS & SPECIFICATIONS

### DX-TREME CP SERIES DEDICATED HORIZONTAL COILS WITH PLENUM



Representative drawing only.  
Some models may vary in appearance.

#### STANDARD SPECIFICATIONS

- Rified copper tubing, enhanced aluminum fins.
- Immersion-tested at 500 psi, then nitrogen-pressurized and sealed.
- Liquid line - 3/8" ODS, suction line - 3/4" ODS on 1-1/2- 3 ton & 7/8" ODS on 3-1/2 - 5 ton.
- Inlet and outlet dimensions are identical (without end caps).
- Externally mounted flowwater body with Schrader valve for hiss-testing.
- Refrigerant lines exit from the top of the coil.
- Split access doors on top of the coil for easy service.
- Embossed galvanized cabinets standard.
- Fully insulated cabinets with faced insulation.
- Heavy duty plastic pan with four 3/4" FPT galvanized condensate drains (two per side). Pan is positively sloped toward drains.
- Plenum sides and top constructed of foil-backed faced fiberglass ductboard or sheet metal.
- Plenum end and bottom constructed of galvanized steel.
- AHRI certifiable with all brands of A/C and heat pump systems.
- ETL listed for use with R-22 and R-410a when proper metering device is used.
- Ten-year limited warranty.

#### POPULAR OPTIONS:

- Factory or field-installable TXV.
- Powder painted stainless steel drain pan.
- Schrader mounted on suction manifold external to cabinet.

COIL MODEL	PISTON SIZE		DIMENSIONS			SHIPPING INFORMATION			
	R22	R410a	CABINET WIDTH [W]"	CABINET DEPTH [D]"	MAX FURNACE WIDTH (OR HEIGHT WHEN HORZ.)	SHIPPING WEIGHT (LBS)			SKID QTY
						2 ROW	3 ROW	4 ROW	
CP24A*	0.059	0.055	22	46	16-3/4	41	49	57	8
CP24B*	0.059	0.055	22	46	16-3/4	46	56	64	8
CP24C*	0.059	0.055	22	46	20-3/4	57	67	76	8
CP24D*	0.059	0.055	22	46	20-3/4	63	75	85	8
CP30A*	0.068	0.059	22	46	16-3/4	46	56	64	8
CP30B*	0.068	0.059	22	46	16-3/4	51	62	71	8
CP30C*	0.068	0.059	22	46	20-3/4	63	75	85	8
CP30D*	0.068	0.059	22	46	20-3/4	69	82	94	8
CP30E*	0.068	0.059	22	46	20-3/4	49	59	68	8
CP36A*	0.074	0.068	22	46	16-3/4	51	62	71	8
CP36B*	0.074	0.068	22	46	16-3/4	56	68	79	8
CP36C*	0.074	0.068	22	46	20-3/4	69	82	94	8
CP36D*	0.074	0.068	22	46	20-3/4	75	90	103	8
CP36E*	0.074	0.068	22	46	20-3/4	54	65	75	8
CP42A*	0.080	0.074	22	46	18-3/4	57	69	80	8
CP42B*	0.080	0.074	22	46	18-3/4	62	76	88	8
CP42C*	0.080	0.074	22	46	22-3/4	70	85	98	6
CP42D*	0.080	0.074	22	46	22-3/4	76	93	108	6
CP42E*	0.080	0.074	22	46	22-3/4	60	73	84	6
CP48A*	0.084	0.080	22	46	20-3/4	62	76	88	8
CP48B*	0.084	0.080	22	46	20-3/4	68	83	96	8
CP48C*	0.084	0.080	22	46	24-3/4	76	93	108	6
CP48D*	0.084	0.080	22	46	24-3/4	83	102	118	6
CP48E*	0.084	0.080	22	46	24-3/4	65	80	92	6
CP60A*	0.092	0.089	22	46	24-3/4	76	93	108	6
CP60B*	0.092	0.089	22	46	24-3/4	83	102	118	6
CP60C*	0.092	0.089	22	46	26-3/4	89	109	126	6
CP60D*(1)	0.092	0.089	22	46	26-3/4	97	119	138	6
CP60E*	0.092	0.089	22	46	26-3/4	80	98	113	6
CP60F*	0.092	0.089	22	46	20-3/4	68	83	96	8
CP60G*	0.092	0.089	22	46	24-3/4	85	104	118	6

Note: (1) Primary pan constructed of powder-painted galvanized steel. P/N 1823

Phone: 281.441.6500  
Toll Free: 800.423.9007  
Fax: 281.441.6510  
[www.aspenmfg.com](http://www.aspenmfg.com)



\* For complete warranty details visit [www.aspenmfg.com](http://www.aspenmfg.com).

Revised 04/02/14. In keeping with its policy of continuous progress and product improvement, Aspen reserves the right to make changes without notice and incurring obligation. © 2014

LEGACY PRODUCTS CP



## PRODUCT DIMENSIONS & SPECIFICATIONS

### DX-TREME CQ SERIES DEDICATED HORIZONTAL COILS WITH PLENUM AND BUILT-IN AUXILIARY DRAIN PAN (patent pending)



Representative drawing only.  
Some models may vary in appearance.

#### STANDARD SPECIFICATIONS

- Riffed copper tubing, enhanced aluminum fins.
- Immersion-tested at 500 psi, then nitrogen-pressurized and sealed.
- Liquid line - 3/8" ODS, suction line - 3/4" ODS on 1-1/2 - 3 ton & 7/8" ODS on 3-1/2 - 5 ton.
- Inlet and outlet dimensions are identical (without end caps).
- Externally mounted flowrater body with Schrader valve for hiss-testing.
- Refrigerant lines exit from top of coil.
- Split access doors on top of coil for easy service.
- Embossed galvanized cabinets standard.
- Fully insulated cabinets with faced insulation.
- Primary pan constructed of heavy duty plastic with four 3/4" FPT condensate drains (two per side). Pan is positively sloped toward drains. Drain diverter channels condensate out of secondary drain into auxiliary pan.
- Auxiliary pan constructed of painted galvanized steel with two 3/4" FPT condensate drains (one per side).
- Plenum sides and top constructed of foil-backed faced fiberglass ductboard or sheet metal.
- Plenum end and bottom constructed of galvanized steel.
- AHRI certifiable with all brands of A/C and heat pump systems.
- ETL listed for use with R-22 and R-410a when proper metering device is used.
- Ten-year limited warranty.

#### POPULAR OPTIONS:

- Factory or field-installable TXV.
- Schrader mounted on suction manifold external to cabinet.

COIL MODEL	PISTON SIZE		DIMENSIONS			SHIPPING INFORMATION			
	R22	R410a	CABINET WIDTH [W]"	CABINET DEPTH [D]"	CABINET HEIGHT [H]"	SHIPPING WEIGHT (LBS)			SKID QTY
						2 ROW	3 ROW	4 ROW	
CQ24A*	0.059	0.055	22	46	18-1/8	47	55	63	8
CQ24B*	0.059	0.055	22	46	18-1/8	52	62	70	8
CQ24C*	0.059	0.055	22	46	22-1/8	63	73	82	8
CQ24D*	0.059	0.055	22	46	22-1/8	69	81	91	8
CQ30A*	0.068	0.059	22	46	18-1/8	52	62	70	8
CQ30B*	0.068	0.059	22	46	18-1/8	57	68	77	8
CQ30C*	0.068	0.059	22	46	22-1/8	69	81	91	8
CQ30D*	0.068	0.059	22	46	22-1/8	75	88	100	8
CQ30E*	0.068	0.059	22	46	22-1/8	55	65	74	8
CQ36A*	0.074	0.068	22	46	18-1/8	57	68	77	8
CQ36B*	0.074	0.068	22	46	18-1/8	62	74	85	8
CQ36C*	0.074	0.068	22	46	22-1/8	75	88	100	8
CQ36D*	0.074	0.068	22	46	22-1/8	81	96	109	8
CQ36E*	0.074	0.068	22	46	22-1/8	60	71	81	8
CQ42A*	0.080	0.074	22	46	20-1/8	63	75	86	8
CQ42B*	0.080	0.074	22	46	20-1/8	68	82	94	8
CQ42C*	0.080	0.074	22	46	24-1/8	76	91	104	6
CQ42D*	0.080	0.074	22	46	24-1/8	82	99	114	6
CQ42E*	0.080	0.074	22	46	24-1/8	66	79	90	6
CQ48A*	0.084	0.080	22	46	22-1/8	68	82	94	8
CQ48B*	0.084	0.080	22	46	22-1/8	74	89	102	8
CQ48C*	0.084	0.080	22	46	26-1/8	82	99	114	6
CQ48D*	0.084	0.080	22	46	26-1/8	89	108	124	6
CQ48E*	0.084	0.080	22	46	26-1/8	71	86	98	6
CQ60A*	0.092	0.089	22	46	26-1/8	82	99	114	6
CQ60B*	0.092	0.089	22	46	26-1/8	89	108	124	6
CQ60C*	0.092	0.089	22	46	28-1/8	95	115	132	6
CQ60D*(1)	0.092	0.089	22	46	28-1/8	103	125	144	6
CQ60E*	0.092	0.089	22	46	28-1/8	86	104	119	6
CQ60F*	0.092	0.089	22	46	22-1/8	74	89	102	8
CQ60G*	0.092	0.089	22	46	26-1/8	91	110	126	6

Note: (1) Primary pan constructed of powder-painted galvanized steel (P/N 1823).

Phone: 281.441.6500  
Toll Free: 800.423.9007  
Fax: 281.441.6510  
[www.aspenmfg.com](http://www.aspenmfg.com)



\* For complete warranty details visit [www.aspenmfg.com](http://www.aspenmfg.com).

Revised 04/02/14. In keeping with its policy of continuous progress and product improvement, Aspen reserves the right to make changes without notice and incurring obligation. © 2014

LEGACY PRODUCTS HQ



# Metering Device Selection Matrix

Refrigerant	Range (tons)	For use with A/C or H/P	20% Bleed Port	TXV Kit Model No.	Aspen Part No.*	Parker p/n	Sporlan p/n	Emerson	Danfoss	Ordering Nomenclature	
										C coils & A AH's	B coils & F AH's
R410A	1 1/2-3 1/2	Both	No	X5-3	4200 (1)	HCE3KX100A	CBBIZE-3-GA-BP20 - NON BLEED	ANCE 3 ZW195	067U5985	4	+X5
R410A	4-5.6	Both	No	X5-5	4202 (1)	HCE5KX100A	CBBIZE-6-GA-BP20 - NON BLEED	ANCE 5 ZW195	067U5986	4	+X5
R410A	1 1/2-3 1/2	Both	Yes	X6-3	4203 (2)					6	+X6
R410A	4-5.6	Both	Yes	X6-5	4204 (2)					6	+X6
R22	1 1/2-3 1/2	Both	Yes	X3-3	4044 (1)	HCE3VX100AB20	CBBVE-3-GA-BP20	ANCEB 3 HAA	0674-3114	B	+X3
R22	4-5.6	Both	Yes	X3-5	4050 (1)	HCE5VX100AB20	CBBVE-6-GA-BP20	ANCEB 5 HAA	0674-3116	B	+X3
R22	1 1/2-3 1/2	Both	No	X2-3	4190 (1)	HCE3VX100A	CBBVE-3-GA-BP20 - NON BLEED	ANCE 3 HAA	0674-3113	X	+X2
R22	4-5.6	Both	No	X2-5	4195 (1)	HCE5VX100A	CBBVE-6-GA-BP20 - NON BLEED	ANCE 5 HAA	0674-3115	X	+X2
R410A	7.5-10	Both	No	X4-10	3947 (2)	ALSO NEED #3948 ADAPTER	N/A	N/A	N/A	4	+X4
R22	7.5	A/C	No	X1-7.5	3946 (2)	N/A		N/A	N/A	X	+X1
R22	10	A/C	No	X1-10	3940 (2)	N/A	SVE-10-CP-100	N/A	N/A	X	+X1

\*[1] = Non-Adjustable Valve; [2] = Adjustable Valve

## PISTON SIZE-NON TXV USE

Tonnage	R22		R410A		PART #	PART #
	Orifice Sz	PART #	Orifice Sz	PART #		
1T	0.041	3962	N/A	N/A		
1.5T	0.055	3999	0.049	4006		
2T	0.059	4000	0.055	3999		
2.5T	0.068	3987	0.059	4000		
3T	0.074	4001	0.068	3987		
3.5T	0.080	3990	0.074	4001		
4T	0.084	3991	0.080	3990		
5T	0.092	3998	0.089	3960		

Dual Circuit Commercial Coils	Single Circuit R22 TXV	Single Circuit R410A TXV	Dual Circuit Use 2 R22 TXV	Dual Circuit Use 2 R410A TXV
BV***72+[*]	(X1) 4195	(X4) 4202	(X1) 4190	(X4) 4200
BV***90+[*]	(X1) 3946	(X4) 3947+3948	(X1) 4195	(X4) 4202
BV***120+[*]	(X1) 3940	(X4) 3947+3948	(X1) 4195	(X4) 4202
CC72**[*]	(X) 4195	(4) 4202	(X) 4190	(4) 4200
CC90**[*]	(X) 3946	(4) 3947+3948	(X) 4195	(4) 4202
CC120**[*]	(X) 3940	(4) 3947+3948	(X) 4195	(4) 4202

Phone: 281.441.6500  
 Toll Free: 800.423.9007  
 Fax: 281.441.6510  
[www.aspenmfg.com](http://www.aspenmfg.com)

Revised 07/19/16. In keeping with its policy of continuous progress and product improvement, Aspen reserves the right to make changes without notice and incurring obligation. © 2016

# REFERENCE MATERIAL



# TXV (Expansion Valves)

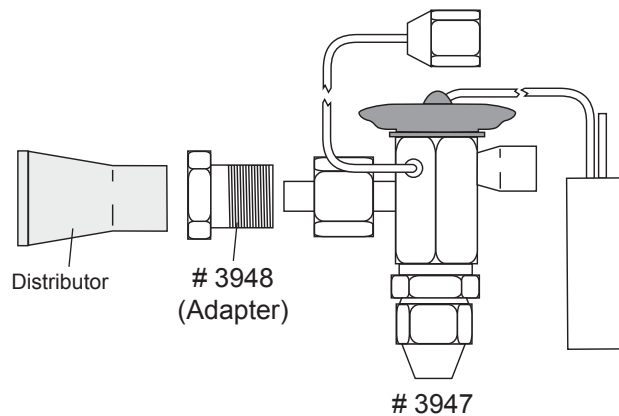
Commercial Horizontal Slab &  
CC Series 7.5 -10 ton Single Circuit Coils

These coils can be converted between R-22 and R-410A. Distributor piece removal will require proficiency in brazing and soldering. Understand the differences between the R-22 and R-410A expansion valves before attempting conversion, particularly when converting from R-410A to R-22.

## R-22 to R-410A Conversion

7.5 Ton & 10 Ton

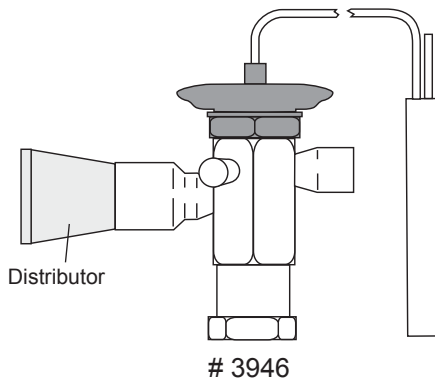
Requires Part #3947 (Bolt type) plus Adapter #3948



## R-410A to R-22 Conversion:

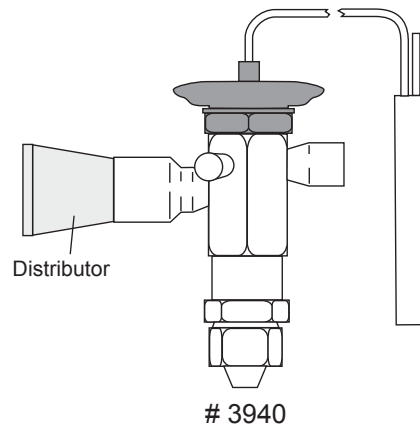
7.5 Ton

Requires part #3946 (sweat fitting)



10 Ton

Requires part #3940 (sweat fitting)



Phone: 281.441.6500  
Toll Free: 800.423.9007  
Fax: 281.441.6510  
[www.aspenmfg.com](http://www.aspenmfg.com)



Revised 04/02/14. In keeping with its policy of continuous progress and product improvement, Aspen reserves the right to make changes without notice and incurring obligation.

# Serial Number Nomenclature

Effective January 2000

**A 00 - 12345**

①

②

③

①

## Month Code

A = JANUARY  
B = FEBRUARY  
C = MARCH  
D = APRIL  
E = MAY  
F = JUNE  
G = JULY  
H = AUGUST  
J = SEPTEMBER  
K = OCTOBER  
L = NOVEMBER  
M = DECEMBER

Note: The letter "I" is skipped

② Year Code  
00 = 2000  
01 = 2001  
02 = 2002  
(etc.)

③ Sequential  
Serial  
Number

REFERENCE MATERIAL

## ASPEN MANUFACTURING TERMS AND CONDITIONS

**PAYMENT TERMS:** Terms are 1% 10 days, net 30 days from invoice date. A finance charge of 1-1/2% or the maximum allowed by law will be assessed on all past due amounts. All orders are subject to a minimum \$20 billing. All orders payable in US funds.

**FREIGHT TERMS:** All shipments are F.O.B. Humble TX. Orders for \$15,000 or more of merchandise will be shipped freight prepaid to any one destination in the continental U.S. or Canada. Orders for less than \$15,000 of merchandise will be shipped freight prepaid and added to invoice. "Will Call" orders will not be assessed freight charges, regardless of size.

**FREIGHT CHARGES:** All accessorial charges assessed by the freight company, including drop charges, detention charges, lift gate charges, etc., will be passed on to the buyer.

**DROP SHIPMENTS:** There is a three-drop limit per truckload, with a 50-unit minimum per drop.

**POOLING ORDERS:** For the purposes of determining freight charges, each purchase order will be evaluated individually. Pooling of orders, whether from the same customer or different customers, in order to qualify for prepaid freight will not be allowed. Aspen will group orders together whenever possible in order to minimize freight charges. Doing so will not incur future obligation.

**METHOD OF SHIPMENT:** The method of shipment is at the discretion of Aspen. If special routing is requested, Aspen will charge for the difference between such routing and normal minimum freight charge to such point.

**BUYER DELAYED DELIVERIES:** Product shipment cannot be delayed beyond a requested or agreed to delivery date once production has begun. If buyer cannot or will not accept delivery as scheduled, Aspen will charge a storage fee of \$75.00 per day for each truckload or partial truckload that remains in Aspen's shipping facility.

**BACKORDERS:** Backorders will be shipped according to the freight terms of the original order.

**WARRANTY:** Aspen's warranty varies according to product. Buyer should consult the warranty documents relevant to the products he is purchasing.

**ORDER AND LINE ITEM MINIMUMS:** The minimum order quantity is fifty units. The minimum line item quantity is ten.

**RECEIPT OF SHIPMENT:** Our Bill of Lading is acknowledgment by the freight carrier that they have accepted the shipment in good condition. Responsibility for shipment is the carrier's. Damaged merchandise must be reported to the carrier directly by the buyer. The buyer should insist that such damages are itemized on the freight bill. Deductions for damage will not be allowed because Aspen's responsibility ends with consignment to the carrier. If there are shortages, they should be noted on the freight bill and the carrier should be notified immediately. Aspen must receive notification of shortages within 24 hours of receipt of shipment.

**RETURN POLICY:** No merchandise will be accepted for return unless accompanied by a preauthorized Aspen return authorization tag. Credits for new material accepted for return will be at the original sales price or current market price, whichever is lower, less handling and restocking charges of 20%. Buyer must prepay all return transportation charges. No goods will be accepted for return more than six months after shipment unless under warranty. Obsolete products or products made to special order are not returnable.

**ORDER ACCEPTANCE:** All orders must be in writing and are subject to acceptance by Aspen. A purchase order number must appear on all orders. No agent, salesman, or other representative, has any authority to waive, alter, or enlarge these standard terms, unless authorized in writing by an officer of Aspen.

**CHANGE ORDERS:** Change orders cannot be accepted during the order freeze period. The length of this period is usually two weeks, but may vary. For current status of the freeze period contact your Aspen representative. Quantity increases and line item additions will usually be acceptable.

**ORDER CANCELLATION:** Partial or total cancellations of orders by the buyer must be in writing to Aspen in advance of the start of production.

**CREDIT APPROVAL:** If, during the performance hereof, the financial responsibility of buyer is determined at the sole discretion of Aspen's Credit Department to be unacceptable or if buyer fails to make any payments in accordance with the terms hereof, Aspen may defer or decline to make any shipments hereunder except upon receipt of Cash payments in advance, or Aspen may terminate this order without further obligation of Aspen to buyer.

**TAXES:** Any direct or excise tax which may now or hereafter be imposed by federal or state government or any subdivision thereof upon the manufacture, sale, or delivery of the goods covered by this order may be added by Aspen to the purchase price of such goods, and if so added, shall be paid by the buyer.

**CREDITS:** Accounting credits expire one year from date of issuance. Credits can only be applied toward the purchase of Aspen equipment (not parts). Cash reimbursal for credits in lieu of equipment purchases is not allowed.

**DELIVERY DATES:** Any delivery dates, which may be indicated, are estimates only and are not guaranteed. Buyer's requested delivery date is considered to be approximate and subject to Aspen's acceptance.

**PROPERTY DAMAGE:** In case of product failure resulting in property damage, the factory should be contacted as soon as possible. No corrective action should be taken without prior written authorization from the factory.

**PRODUCT CHANGES:** Aspen reserves the right to change specifications, design and material in the interest of product improvement, without incurring obligation to the buyer.

**SOLE AND EXCLUSIVE AGREEMENT:** The terms and conditions of an order shall constitute the sole and exclusive agreement between Aspen and buyer. No waiver of any individual provision hereof shall constitute a waiver of any other provisions.

Effective 1/1/16. Revised 2/16/15. Subject to change without notice.



A photograph of an Aspen Manufacturing building. The building has a corrugated metal facade. At the top left, there is a large 3D logo consisting of a stylized mountain range in blue and white, followed by the word "ASPEN" in large, blue, 3D block letters. Below "ASPEN" is the word "MANUFACTURING" in smaller, blue, 3D block letters. The lower portion of the building's facade is cut out to reveal a white, stylized mountain range graphic. The background shows trees and a clear sky.

**ASPEN**  
MANUFACTURING



373 Atascocita Rd.  
Humble, TX 77396  
Phone: 281.441.6500  
Toll Free: 800.423.9007  
Fax: 281.441.6510  
[www.aspenmfg.com](http://www.aspenmfg.com)



**Right products. Right features. Right price.**