



2017

Parts List

Effective July 1, 2017



TERMS OF SALE

Terms: Net 30 Days

Freight: All shipments are F.O.B., 126 Bailey Road, North Haven, Connecticut. Risk of loss beyond that point is buyers responsibility. Carlin will pay for freight on orders of \$1,500 or more shipped to a single location within the contiguous United States. Carlin will not pay for special or premium shipping.

Minimum Orders: \$20.00

Returns: Factory authorization is required prior to any return, and the return must be made within sixty (60) days of such authorization. Merchandise to be returned must be shipped freight prepaid. Non-warranty returns are subject to a 20% restocking charge.

Claims: Claims for shortage or error in shipment must be made within ten (10) days of receipt. Claims for damage or loss in transit must be made directly to the delivering carrier.

Prices: Prices herein supersede all previous prices and are subject to change without notice. All orders will be billed at the price in effect at the time the order is received by Carlin. Orders specifying delivery dates beyond standard lead times will be billed at prices in effect at the time of shipment.

The above terms are supplemental to terms stated on Carlin invoices.

BURNER COMPONENTS	
Primary Controls & Accessories.....	3
Ignitors & Accessories.....	4
PSC Motors.....	5
TEMPERATURE CONTROLS	
EZ Temp Controls & Accessories.....	6-7
RESIDENTIAL OIL BURNERS	
EZ Oil Burners.....	8-10
99FRD.....	11
102CRD.....	12
Appliance Specific Residential Oil Burners.....	13
COMMERCIAL OIL BURNERS	
201CRD, 301CRD, 601CRD, 701CRD, 702CRD, 801CRD, 1050FFD, 1150FFD.....	14-21
<i>Control Panels & Options</i>	
Optional Control Sets.....	22
Control Panels.....	23
APPLIANCE SPECIFIC COMMERCIAL OIL BURNERS.....	
	24-27
RESIDENTIAL GAS BURNERS	
EZGas Pro.....	28-29
Appliance Specific Residential Gas Burners.....	29
G3B Burner.....	30
COMMERCIAL GAS BURNERS	
201GAS.....	31
301GAS.....	32
601GAS.....	33
702GAS.....	34
COMMERCIAL DUAL FUEL BURNERS	
702G/O.....	35
APPLIANCE SPECIFIC COMMERCIAL GAS AND DUAL FUEL BURNERS.....	
	36-45
REPLACEMENT PARTS	
EZ Oil Burners.....	46-47
99FRD, 100CRD, 102CRD Oil Burners.....	48-49
201-301 Oil Burners.....	50-51
601, 701, 702 Oil Burners.....	52-53
801, 1050, 1150 Oil Burners.....	54-55
EZGas Pro Burners.....	56-57
G3B Gas Burners.....	58-59
201 Gas Burners.....	60-61
301 Gas Burners.....	62-63
601 Gas Burners.....	64-65
301/601 Gas Train.....	66-67
702G & 702G/O Burners.....	68-69
702G & 702G/O Train.....	70-71
Gas Service Totes.....	72

NOTES

Part No.	Description	Case Qty.
PRIMARY CONTROL – For Universal Replacement		
70200S	Fully Adjustable Control with Alarm & Blocked Vent Contacts	15
PRIMARY CONTROLS – For Like-for-Like Replacement		
4020002S	15 Sec. TFI. Interrupted Duty	15
4223002S	30 Sec. TFI. Interrupted Duty	15
48245S	45 Sec. TFI. Constant/Intermittent Duty with Smart Ignition	15
5020002S	15 Sec. TFI. Interrupted Duty. Alarm Contacts	15
6020002S*	15 Pre/15 TFI/15 Post. Interrupted Duty. Alarm Contacts	15
6020002S015120	15 Pre/15 TFI/120 Post. Interrupted Duty. Alarm Contacts	15
6020002S030015	30 Pre/15 TFI/15 Post. Interrupted Duty. Alarm Contacts	15
6020051S	10 Pre/15 TFI/0 Post. Interrupted Duty. Alarm Contacts	15
6020002S030030	30 Pre/15 TFI/30 Post. Interrupted Duty. Alarm Contacts	15
6020002S030120	30 Pre/15 TFI/120 Post. Interrupted Duty. Alarm Contacts	15
6020002S030300	30 Pre/15 TFI/300 Post. Interrupted Duty. Alarm Contacts	15
6020002S060010	60 Pre/15 TFI/10 Post. Interrupted Duty. Alarm Contacts	15
60240S11	10 Pre/15 TFI/10 Post. Interrupted Duty. Alarm Contacts. 208-240V, 50/60Hz	15
*Exact replacement for Weil McLain primary controls		
GAS PRIMARY CONTROLS		
60200FRS	60200FR GAS PRIMARY	15
60200FRNS	30 Pre/4 TFI/30 Post. Flame Rod Gas Control Non Recycling	15
PARTS & ACCESSORIES		
14407S0ES	Cad Cell Assembly, Service Kit 22"	N/A
4002400AS	Cad Cell, Eye Only	N/A
98225S	Kit, Valve-Relay for 60200-02 (701/702CRD, 801CRD, 1050FFD, 1150FFD)	N/A
98435S	Kool-Kit, "M" Interface PCB w/Transformer	N/A



70200S

Part No.	Description	Case Qty.
UNIVERSAL IGNITOR		
45000S	110V Heavy Duty Ignitor – Mounts to any base plate	15
IGNITORS ONLY – NO BASEPLATE		
41000S	110V Ignitor	15
4070001S	220V Ignitor	15
4180002S1	120V Ignitor – Single-Pole Secondary (EZ-Gas)	15
4180002S2	120V Ignitor – Single-Pole Secondary (201 Gas)	15
4180002S	120V Ignitor – Single-Pole Secondary (301 Gas)	15
IGNITORS ON BASEPLATES		
41000SOCAS	Ignitor/Base Carlin	12
41000SOSC	Ignitor/Base Carlin (201 - 301CRD)	12
41000SOLC	Ignitor/Base Carlin (601CRD, 701CRD, 702CRD, 801CRD, 1050FFD, 1150FFD & 601GAS, 702GAS, 702G/O Burners)	12
41000SOBK1	Ignitor/Base Beckett AF, AFG	12
41000SOBK2	OBSOLETE USE 45000S IGNITOR-IT WILL WORK ON EXISTING BASEPLATE	12
41000SOWA1	Ignitor/Base Wayne HS	12
41000SOWA2	Ignitor/Base Wayne E	12
41000SOWA3	Ignitor/Base Wayne M	12
41000SOWM	OBSOLETE USE 45000S IGNITOR-IT WILL WORK ON EXISTING BASEPLATE	12
UNIVERSAL IGNITOR KIT		
41000SOKIT	Universal Ignitor Kit with two 41000S & baseplate kits*	6
BASEPLATES		
4102000CAS	Base Plate Kit Carlin Residential*	20
4102000CSC	Base Plate Kit Carlin Small Commercial (201 - 301CRD)	20
4102000CLC	Base Plate Kit Carlin Large Commercial (601CRD - 1150FFD)	20
4102000BK1	Base Plate Kit Beckett*	20
4102000WA2	Base Plate Kit Wayne E*	20
4102000WA3	Base Plate Kit Wayne M*	20
ACCESSORIES		
41DTK01S	Universal Terminal Kit*	N/A
98061AS	Transition Piece for 41000 Series Ignitor	N/A
4102000WA1	Interface Plate and Gasket Kit Wayne HS	20

*Items included in 41000-SO-KIT.



45000S

Part No.	Description
PSC MOTORS	
98022S	1/6 hp, 120 vac, 60 Hz, 48M Frame (For Residential Burners)
98611S	1/6 hp, 120 vac, 60 Hz, 48N Frame (For Carlin 201GAS, 301GAS Burners)
98627S	1/6 hp, 220/240 vac, 50/60 Hz, 48M Frame (For Residential Burners)
98629S	1/15 hp, 120 vac, 60 Hz, 48M Frame (For Carlin EZ Gas Burner)
98630S	1/4 hp, 120 vac, 60 Hz, 48N Frame (For Carlin 201/301 Oil Burners)
98866S	1/6 hp, 120 vac, 60 Hz, 48N Frame, 1725 rpm
99220S	1/4 hp, 220 vac, 50 Hz, 48N Frame (For Carlin 201/301 Oil Burners)

*120 motors per pallet



Part No.	Description	Replaces	Temp Limit (F)	High Limit (F)	Case Quantity
90000 DUAL LIMIT – UNIVERSAL TEMPERATURE CONTROLS					
90000B1S	Service Pak - Dual limit (operating limit and manual reset high limit) temperature control for direct fired storage water heaters (and other similar applications). Includes temperature control and mounting hardware only. Replacement for Carlin Model 90000BL1S. UL Recognized.	L4103A	90°-160°, 8° Diff.	180°, 10° Diff.	20

INDIRECT & DIRECT FIRED STORAGE WATER HEATER TEMPERATURE CONTROLS

90200 SINGLE LIMIT TEMPERATURE CONTROLS – SERVICE PAK					
90200A6S	Bradford White - Aero Series Recommended Temperature Range Service Pak - Single limit temperature control for direct fired storage water heater (and similar applications). Includes temperature control and mounting hardware only. Replacement for Carlin Model 90200AL6S. UL Recognized.	L4006A L4080B	120°-145°, 6° Diff.	N/A	20
90200A7S	Bock Residential Recommended Temperature Range Service Pak - Single limit temperature control for direct fired storage water heater (and similar applications). Includes temperature control and mounting hardware only. Replacement for Carlin Model 90200AL7S. UL Recognized.	L4006A L4080B	100°-160°, 8° Diff.	N/A	20
90200A8S	Therma-Flo Everhot Recommended Temperature Range Service Pak - Single limit temperature control for direct fired storage water heater (and similar applications). Includes temperature control and mounting hardware only. Replacement for Carlin Model 90200AL8S. UL Recognized.	L4006A L4080B	90°-130°, 8° Diff.	N/A	20

DIRECT FIRED STORAGE WATER HEATER TEMPERATURE CONTROLS INSTALL PAK

90000 DUAL LIMIT TEMPERATURE CONTROLS WITH MANUAL RESET – INSTALL PAK					
90000BL2S	Bock Residential Recommended Temperature Range Install Pak – Dual limit (operating limit and manual reset high limit) temperature control for direct fired storage water heaters (and other similar applications). Includes temperature control, J-Box, 98861B well (2.4" length), 98917A single sensor and mounting hardware. UL Listed.	L4103A	100°-160°, 8° Diff.	180°, 10° Diff.	20

DIRECT FIRED STORAGE WATER HEATER TEMPERATURE CONTROLS

90000 DUAL LIMIT TEMPERATURE CONTROLS WITH MANUAL RESET – SERVICE PAK					
90000B2S	Bock Residential Recommended Temperature Range Service Pak - Dual limit (operating limit and manual reset high limit) temperature control for direct fired storage water heaters (and other similar applications). Includes temperature control and mounting hardware only. Replacement for Carlin Model 90000BL2S. UL Recognized.		100°-160°, 8° Diff.	180°, 10° Diff.	20
90000B4S	Bradford White - Aero Series Recommended Temperature Range Service Pak- Dual limit (operating limit and manual reset high limit) temperature control for direct fired storage water heaters (and other similar applications). Includes temperature control and mounting hardware only. Replacement for Carlin Model 90000BL4S. UL Recognized.		120°-145°, 6° Diff.	165°, 6° Diff.	20
90000B10S	Therma-Flo Everhot Recommended Temperature Range Service Pak - Dual limit (operating limit and manual reset high limit) temperature control for direct fired storage water heaters (and other similar applications). Includes temperature control and mounting hardware only. Replacement for Carlin Model 90000BL10S. UL Recognized.		90°-130°, 8° Diff.	160°, 10° Diff.	20
90000C5S	John Wood Recommended Temperature Range Service Pak - Dual limit (operating limit and manual reset high limit) temperature control for direct fired storage water heaters (and other similar applications). Includes temperature control and mounting hardware only. Replacement for Carlin Model 90000CL5S & 90000CL5PS. UL Recognized.		90°-160°, 10° Diff.	200°, 1° Diff.	20
90000C6S	John Wood Recommended Temperature Range Service Pak - Dual limit (operating limit and manual reset high limit) temperature control for direct fired storage water heaters (and other similar applications). Includes temperature control and mounting hardware only. Replacement for Carlin Model 90000C6. UL Recognized.		90°-180°, 10° Diff.	200°, 1° Diff.	20

Part No.	Description	Replaces HW Models	Temp Limit (F)	High Limit (F)	Case Quantity
----------	-------------	--------------------	----------------	----------------	---------------

COMMERCIAL DIRECT FIRED STORAGE WATER HEATER TEMPERATURE CONTROLS

90300 DUAL LIMIT TEMPERATURE CONTROLS WITH MANUAL RESET - SERVICE PAK					
90300B1S	Bock Commercial Recommended Temperature Range Service Pak - Dual limit (operating limit and manual reset high limit) for direct fired commercial storage water heaters (and similar applications). Includes temperature control and mounting hardware only. Replacement for Carlin Model 90100BL1S. UL Recognized.	L4080B & L8100C	100°-180°, 8° Diff.	200°, 10° Diff.	20

ACCESSORIES

WELL KITS	
98861AS	2.61" with Insulation Depth = 1.55", Insertion Depth = 1.06", 3/4" NPT
98861BS	3.51" with Insulation Depth = 2.45", Insertion Depth = 1.06", 3/4" NPT
98861CS	5.46" with Insulation Depth = 4.40", Insertion Depth = 1.06", 3/4" NPT
98861DS	6.18" with Insulation Depth = 5.12", Insertion Depth = 1.06", 3/4" NPT
98861FS	6.65" with Insulation Depth = 4.40", Insertion Depth = 2.25", 3/4" NPT for use with John Wood Model JW317-717
98861GS	4.7" with Insulation Depth = 2.45", Insertion Depth = 2.25", 3/4" NPT for use with John Wood Models JWF307, JWF507, JWF357.
SENSORS	
98917AS	Single Sensor for use in well, 12" leads
98917BS	Dual Sensor for use in well, 12" leads
98917JS	Triple Sensor for use in well, 18" leads
98917FS	Single Sensor for use in well, 24" leads
98917HS	Dual Sensor for use in well, 36" leads
98917ES	Single Sensor for use in well, 48" leads
98917DS	Single Sensor for use in well, 120" leads
98917GS	Dual Sensor for use in well, 120" leads
MOUNTING HARDWARE	
51116S	EZ-Temp mounting hardware for Carlin well or existing well - Includes longest rubber retainer, retainer washer, lock washer, jam nut, well clamp, sensor retainer spring, flat washer, and tensioning screw.

Part No.	Description
EZ-PRO OIL BURNERS WITH COVERS	
9687607JC	EZ-1, 7" Air Tube, Universal Flange
9687609JC	EZ-1, 9" Air Tube, Universal Flange
9687611JC	EZ-1, 11" Air Tube, Universal Flange

Note: If swing out door on boiler, you will need to order flex line separately.
 Note: If two-pipe oil line system, you will need to order the two-pipe oil line kit separately.
 Note: If outside air/direct venting is required, you will need to order the 50433KIT.

STANDARD EQUIPMENT – FLEX LINES OR OUTSIDE AIR INLET KIT NOT INCLUDED WITH BURNER

- Most OEM burners are available with the cover. Consult the factory for pricing and part numbers.
1. EZ-Pro Chassis (0.50-2.60)
 2. Carlin 98022 1/6 HP PSC Motor
 3. Carlin 70200 Fully Adjustable Control
 4. Carlin 45000 Constant Duty Ignitor (14KV Secondary)
 5. Suntec A2VA-3006 Single-Stage Fuel Unit with Integral Solenoid Valve
 6. Single Pipe Oil Line
 7. Nozzle Line Heater
 8. 7", 9", or 11" Air Tube and Combustion Head with Stainless Steel Nose Cone

Part No.	Description
"A" PACKAGE = EZ-1 BURNER, 48245 INTERMITTENT DUTY CONTROL	
96876-05A	Above Package with 5" Air Tube
96876-07A	Above Package with 7" Air Tube
96876-09A	Above Package with 9" Air Tube
"B" PACKAGE = EZ-1 BURNER, 40200 INTERRUPTED DUTY CONTROL	
96876-05B	Above Package with 5" Air Tube
96876-07B	Above Package with 7" Air Tube
96876-09B	Above Package with 9" Air Tube
"K" PACKAGE = EZ-1 BURNER, 42230 INTERRUPTED DUTY CONTROL	
96876-0700K	Above Package with 7" Air Tube
96876-0900K	Above Package with 9" Air Tube
"EZ-PRO" PACKAGE = EZ-1 BURNER, 70200 FULLY ADJUSTABLE CONTROL W/ ALARM & BLOCKED VENT CONTACTS	
96876-05JP	Above Package with 5" Air Tube
96876-07JP	Above Package with 7" Air Tube
96876-09JP	Above Package with 9" Air Tube

STANDARD EQUIPMENT – ALL ABOVE

1. EZ-1 Burner
2. 45000 Carlin Solid State Ignitor
3. CAD Cell
4. Single-Stage Pump (EZ-Pro Only – Suntec 3006 Single-Stage Fuel Unit with Solenoid Valve)
5. Air Tube
6. Combustion Head
7. Nozzle Line Heater
8. Universal Flange and Gasket

Part No.	Description
----------	-------------

EZ OIL BURNER CHASSIS. FOLLOWING PRICES ARE FOR CHASSIS ONLY.	
9687600E	EZ-1, Jct. Box, 45000 Ignitor, CAD Cell, 1 Stage Pump
81201	EZ-1, Carlin 48245 Intermittent Duty Control, 45000 Ignitor, CAD Cell, 1 Stage Pump
8120100B	EZ-1, Carlin 40200 Interrupted Duty Control, 45000 Ignitor, CAD Cell, 1 Stage Pump
9687600J	EZ-1, Carlin 70200 Fully Adjustable Control, Inst. Oil Valve, 45000 Ignitor, CAD Cell, 1 Stage
84801	EZ-2, Carlin 48245 Intermittent Duty Control, 45000 Ignitor, CAD Cell, 1 Stage Pump
8480100B	EZ-2, Carlin 40200 Interrupted Duty Control, 45000 Ignitor, CAD Cell, 1 Stage Pump
969950000J	EZ-2, Carlin 70200 Fully Adjustable Control, Inst. Oil Valve, 45000 Ignitor, CAD Cell, 1 Stage
969960000E	EZ-3, Jct. Box, 45000 Ignitor, CAD Cell, 1 Stage Pump
86401	EZ-3, Carlin 48245 Intermittent Duty Control, Ignitor, CAD Cell, 1 Stage Pump
8640100B	EZ-3, Carlin 40200 Interrupted Duty Control, 45000 Ignitor, CAD Cell, 1 Stage Pump
969960000J	EZ-3, Carlin 70200 Fully Adjustable Control, Inst. Oil Valve, 45000 Ignitor, CAD Cell, 1 Stage

Part No.	Description
----------	-------------

BURNER MOUNTED OPTIONS – ADD ONS	
Contact Carlin	Pump 2 Stage, "B" (Suntec)
Contact Carlin	Delayed Oil Valve
Contact Carlin	Carlin SVC Instant Opening Oil Valve

AIR TUBE AND COMBUSTION HEAD ASSEMBLIES – "CARLIN SUPER TUBE" WITH NOZZLE LINE HEATER	
78071S	EZ-1, 5" Air Tube / Combustion Head Assembly / Nozzle Line Heater
78089S	EZ-1, 7" Air Tube / Combustion Head Assembly / Nozzle Line Heater
78105S	EZ-1, 9" Air Tube / Combustion Head Assembly / Nozzle Line Heater
78113S	EZ-1, 11" Air tube / Combustion Head Assembly / Nozzle Line Heater
84764S	EZ-2, 3, - 5" Air Tube / Combustion Head Assembly / Nozzle Line Heater
84772S	EZ-2, 3, - 7" Air Tube / Combustion Head Assembly / Nozzle Line Heater
84780S	EZ-2, 3, - 9" Air Tube / Combustion Head Assembly / Nozzle Line Heater
84798S	EZ-2, 3, - 11" Air Tube / Combustion Head Assembly / Nozzle Line Heater

MOUNTING FLANGE AND/OR PEDESTAL	
23317S	Pedestal
72470S	Pedestal (10 pack)
81372S	3-1/2" Heavy-Duty Universal Flange / Gasket
82560S	3-1/2" Heavy-Duty Universal Flange / Gasket (10 pack)

NOZZLES	
Contact Carlin	Nozzles - Consult Factory for Availability of Spray Patterns

STANDARD EQUIPMENT

1. 45000 Carlin Solid State Ignitor
2. CAD Cell
3. Nozzle Line Heater
4. Carlin PSC Motor 1/6 hp, 3450 rpm
5. Single-Stage Fuel Unit



Part No.	Description
----------	-------------

OIL BURNER COVER KITS - For Use on Carlin EZ Oil Burners

RESCVR1S	Cover Kit- Oil: Includes cover, backplate, mounting hardware
----------	--

NOTE: Fits EZ-1, EZ-2, EZ-3, EZ-LF, EZ-Pro, EZ-66, 99FRD, 100CRD, and 102CRD manufactured after October 10, 2012.



Part No.	Description
----------	-------------

OUTSIDE AIR/DIRECT VENT KIT

50433KIT	Includes: Filler Section for Backplate with mounting bolts, 4" Air Inlet with Mounting Screws, Insert for Oil Line Opening, 1 5/8" Grommet for BX Cable, push plugs
----------	---

Filler Section for Backplate



Grommet



Insert for Oil Line Opening



4" Air Inlet



Part No.	Description
----------	-------------

OPTIONAL ACCESSORIES

50271	Flex Line
-------	-----------

Part No.	Description
----------	-------------

99FRD OIL BURNER CHASSIS

10201	99FRD Carlin 48245 Intermittent Duty Control, 45000 Ignitor, CAD Cell, 1 Stg. Pump
10504	99FRD Carlin 40200 Interrupted Duty Control, 45000 Ignitor
97325	99FRD Carlin 45000 Ignitor Only, Junction Box
973250011J	99FRD Carlin 70200 Fully Adjustable Control , 45000 Ignitor

Note: Above burners come with 2 slot air bands and blank shutter. If firing over 2.25 GPH, you will need to order an open shutter.

BURNER MOUNTED OPTIONS – ADD-ONS

Contact Carlin	Pump 2 Stg., "B" Style
Contact Carlin	Suntec A2VA-3006 Single-Stage Fuel Unit with Integral Solenoid Valve
Contact Carlin	Carlin SVC Instant Opening Oil Valve
Contact Carlin	Delayed Opening Oil Valve

AIR TUBE AND COMBUSTION HEAD ASSEMBLIES

20180S	5" Standard
20230S	7" Standard
20313S	9" Standard
19919S	11" Standard

AIR TUBE AND CONVERSION KITS FOR OEM BOILERS

64006	5" WS (See Instruction Sheet P/N 64105 for Boiler Model)
65524	7" WS (See Instruction Sheet P/N 67462 for Boiler Model)

MOUNTING FLANGE AND/OR PEDESTAL

23150S	3" Universal Flange/Gasket
23317S	Pedestal
72462S	3" Universal Flange/Gasket (10 pack)
72470S	Pedestal (10 pack)

NOZZLES

Contact Carlin	Nozzles - Consult Factory for Availability of Spray Patterns
----------------	--

STANDARD EQUIPMENT

1. 45000 Carlin Solid State Ignitor
2. CAD Cell
3. Single-Stage Pump
4. Carlin PSC Motor 1/6 hp, 3450 rpm
5. 4" x 4" Junction Box for Field Wiring



99FRD

Part No.	Description
----------	-------------

102CRD OIL BURNER CHASSIS

97403	102CRD Carlin 40200 Interrupted Duty Control, 45000 Ignitor
974030011J	102CRD Carlin 70200 Fully Adjustable Control, 45000 Ignitor

BURNER MOUNTED OPTIONS – ADD-ONS

Contact Carlin	Pump 2 Stg., "B" Style (in lieu of "A" pump)
Contact Carlin	Suntec B2VA-4006 Two-Stage Fuel Unit with Integral Solenoid Valve
Contact Carlin	Delayed Opening Oil Valve

AIR TUBE AND COMBUSTION HEAD ASSEMBLIES

21790S	5" with 2 5/8" I.D. Air Cone, 2.00 - 3.50 GPH "B" Style
21857S	7" with 2 5/8" I.D. Air Cone, 2.00 - 3.50 GPH "B" Style
21881S	9" with 2 5/8" I.D. Air Cone, 2.00 - 3.50 GPH "B" Style
21691S	11" with 2 5/8" I.D. Air Cone, 2.00 - 3.50 GPH "B" Style
21980S	5" with 3" I.D. Air Cone, 3.00 - 4.50 GPH "C" Style
21998S	7" with 3" I.D. Air Cone, 3.00 - 4.50 GPH "C" Style
22004S	9" with 3" I.D. Air Cone, 3.00 - 4.50 GPH "C" Style
21915S	11" with 3" I.D. Air Cone, 3.00 - 4.50 GPH "C" Style

MOUNTING FLANGE GASKETS AND PEDESTALS

23150S	3" Universal Flange/Gasket
23317S	Pedestal
72462S	3" Universal Flange/Gasket (10 pack)
72470S	Pedestal (10 pack)

NOZZLES

Contact Carlin	Consult Factory For Availability of Spray Patterns
----------------	--

STANDARD EQUIPMENT

1. 45000 Carlin Solid State Ignitor
2. CAD Cell
3. Single-Stage Pump
4. 4" x 4" Junction Box for Field Wiring
5. Carlin PSC Motor 1/6 hp, 3450 rpm
6. Carlin Instant Opening Oil Valve

BURNERS FOR BOILERS & FURNACES

Carlin manufactures hundreds of burners that are factory-set for specific oil-fired appliances. These burners (easily identified by a mounting flange that is welded onto the tube) can be purchased from the appliance manufacturer. If the appliance is no longer in production or the appliance manufacturer does not have the burner available, please contact us at 800-989-2275.

Part No.	Description
----------	-------------

201CRD OIL BURNER CHASSIS

91629B01	201CRD Carlin 40200 Control, 45000 Ignitor, 1 Stg., "A" Pump
91629B02	201CRD Carlin 70200 Fully Adjustable Control, 45000 Ignitor, 1 Stg. "A" Pump
916290033J	201CRD Carlin 70200 Fully Adjustable Control, 45000 Ignitor, 2 Stg. "B" Pump
916290033JN	201CRD Carlin 70200 Fully Adjustable Control, 45000 Ignitor, 1 Stg. "A" Pump w/ NYC
916290033JB	201CRD Carlin 70200 Fully Adjustable Control, 45000 Ignitor, 2 Stg. "B" Pump w/ NYC

BURNER MOUNTED OPTIONS – ADD-ONS

Contact Carlin	Pump 2 Stg., "B" Style (in lieu of "A" pump)
Contact Carlin	Control Panel (also available for remote mounting)
Contact Carlin	Control Sets

AIR TUBE AND COMBUSTION HEAD ASSEMBLIES

22046S	7" Standard
22053S	9" Standard
22012S	11" Standard
22020S	15" Standard

MOUNTING FLANGE AND/OR PEDESTAL

23259S	4" Universal Flange/Gasket - Aluminum
23184S	4" Flange/Gasket for pressurized application
23358S	Pedestal

NOZZLES

Contact Carlin	Nozzles - Consult Factory for Availability of Spray Patterns
----------------	--

STANDARD EQUIPMENT

1. 45000 Carlin Solid State Ignitor
2. CAD Cell
3. Single-Stage Pump
4. 4" x 4" Junction Box for Field Wiring
5. Carlin PSC Motor, 1/4hp, 3450 rpm
6. Carlin Instant Opening Oil Valve
7. Pressure Augmentor
8. Electronic Time Delay, 4 Sec. (Not Required with 70200 Control)



201CRD

Part No.	Description
301CRD OIL BURNER CHASSIS	
91652B01	301CRD Carlin 40200 Control, 45000 Ignitor, 1 Stg., "A" Pump
91652B02	301CRD Carlin 70200 Fully Adjustable Control, 45000 Ignitor, 1 Stg., "A" Pump
9165200B02B	301CRD Carlin 70200 Fully Adjustable Control, 45000 Ignitor, 2 Stg., "B" Pump
916520033JN	301CRD Carlin 70200 Fully Adjustable Control, 45000 Ignitor, 1 Stg., "A" Pump w/ NYC
916520033JBN	301CRD Carlin 70200 Fully Adjustable Control, 45000 Ignitor, 2 Stg., "B" Pump w/ NYC
BURNER MOUNTED OPTIONS – ADD-ONS	
Contact Carlin	Pump 2 Stg., "B" Style (in lieu of "A" pump)
Contact Carlin	Control Panel
Contact Carlin	Control Sets
AIR TUBE AND COMBUSTION HEAD ASSEMBLIES	
22293S	6" with 3 1/4" I.D. Air Cone, 3 - 6 GPH "B" Style
22327S	8" with 3 1/4" I.D. Air Cone, 3 - 6 GPH "B" Style
22202S	10" with 3 1/4" I.D. Air Cone, 3 - 6 GPH "B" Style
22236S	14" with 3 1/4" I.D. Air Cone, 3 - 6 GPH "B" Style
22442S	6" with 3 1/2" I.D. Air Cone, 4 - 7 GPH "C" Style
22475S	8" with 3 1/2" I.D. Air Cone, 4 - 7 GPH "C" Style
22350S	10" with 3 1/2" I.D. Air Cone, 4 - 7 GPH "C" Style
22384S	14" with 3 1/2" I.D. Air Cone, 4 - 7 GPH "C" Style
MOUNTING FLANGE AND/OR PEDESTAL	
23259S	4" Universal Flange/Gasket - Aluminum
23184S	4" Flange/Gasket for pressurized application
23358S	Pedestal
NOZZLES	
Contact Carlin	Consult Factory for Availability of Spray Patterns

STANDARD EQUIPMENT

1. 45000 Carlin Solid State Ignitor
2. CAD Cell
3. Single Stage Pump
4. 4" x 4" Junction Box for Field Wiring
5. Carlin PSC Motor, 1/4hp, 3450 rpm
6. Carlin Instant Opening Oil Valve
7. Pressure Augmentor
8. Electronic Time Delay, 4 Sec. (Not Required with 70200 Control)

COMMERCIAL
OIL

Part No.	Description
601CRD OIL BURNER CHASSIS	
91660B03	601CRD Carlin 40200 Control, 45000 Ignitor, 2 Stg. Pump
91660B04	601CRD Carlin 70200 Fully Adjustable Control, 45000 Ignitor, 2 Stg. Pump
91660033JN	601CRD Carlin 70200 Fully Adjustable Control, 45000 Ignitor, 2 Stg. Pump w/ NYC
BURNER MOUNTED OPTIONS – ADD-ONS	
Contact Carlin	2 Pole Motor Contactor (required when motor wired for 208-230 volts)
Contact Carlin	Pump 2 Stage "J" Style
Contact Carlin	Control Panel
Contact Carlin	Control Sets
AIR TUBE AND COMBUSTION HEAD ASSEMBLIES	
22517S	10" Standard
22541S	12" Standard
22574S	14" Standard
MOUNTING FLANGE AND/OR PEDESTAL	
23259S	4" Universal Flange/Gasket - Aluminum
23184S	4" Flange/Gasket for pressurized application
23382S	Pedestal
NOZZLES	
Contact Carlin	Nozzles - Consult Factory for Availability of Spray Patterns

STANDARD EQUIPMENT

1. 45000 Carlin Solid State Ignitor
2. Two Stage Fuel Pump "B"
3. Motor 1/2hp, 3450 rpm, 115V, 60 Hz
4. Carlin Instant Opening Oil Valve
5. Electronic Time Delay, 4 Sec. (Not Required with 70200 Control)

COMMERCIAL
OIL

Part No.	Description
701CRD OIL BURNER CHASSIS	
91686B04	701CRD Carlin 70200 Fully Adjustable Control, 45000 Ignitor, 2 Stg. Pump
916860033JN	701CRD Carlin 70200 Fully Adjustable Control, 45000 Ignitor, 2 Stg. Pump w/NYC
BURNER MOUNTED OPTIONS – ADD-ONS	
Contact Carlin	Pump 2 Stage "J" Style
Contact Carlin	Control Sets
AIR TUBE AND COMBUSTION HEAD ASSEMBLIES	
22632S	10" Standard
22665S	12" Standard
22699S	14" Standard
MOUNTING FLANGE AND/OR PEDESTAL	
23259S	4" Universal Flange/Gasket - Aluminum
23184S	4" Flange/Gasket for pressurized application
23382S	Pedestal
NOZZLES	
Contact Carlin	Nozzles - (2) required - Consult Factory for Availability of Spray Patterns

STANDARD EQUIPMENT

1. 45000 Carlin Solid State Ignitor
2. Two Stage Fuel Pump "B"
3. Motor 1/2hp, 3450 rpm, 115/208-230V, 60 Hz
4. Low and High Fire Oil Valves
5. Damper Motor with End Switch
6. Electronic Time Delay, 4 Sec. (Not Required with 70200 Control)
7. Motor Contactor – 2 Pole, 120V, 60HZ Coil

COMMERCIAL
OIL

Part No.	Description
----------	-------------

702CRD OIL BURNER CHASSIS

91694B03	702CRD Carlin 40200 Control, 45000 Ignitor, 2 Stg. Pump
91694B04	702CRD Carlin 70200 Fully Adjustable Control, 45000 Ignitor, 2 Stg. Pump
916940033JN	702CRD Carlin 70200 Fully Adjustable Control, 45000 Ignitor, 2 Stg. Pump w/ NYC

BURNER MOUNTED OPTIONS – ADD-ONS

Contact Carlin	Control Panel
Contact Carlin	Control Sets

AIR TUBE AND COMBUSTION HEAD ASSEMBLIES

68650S	10" Standard
--------	--------------

MOUNTING FLANGE AND/OR PEDESTAL

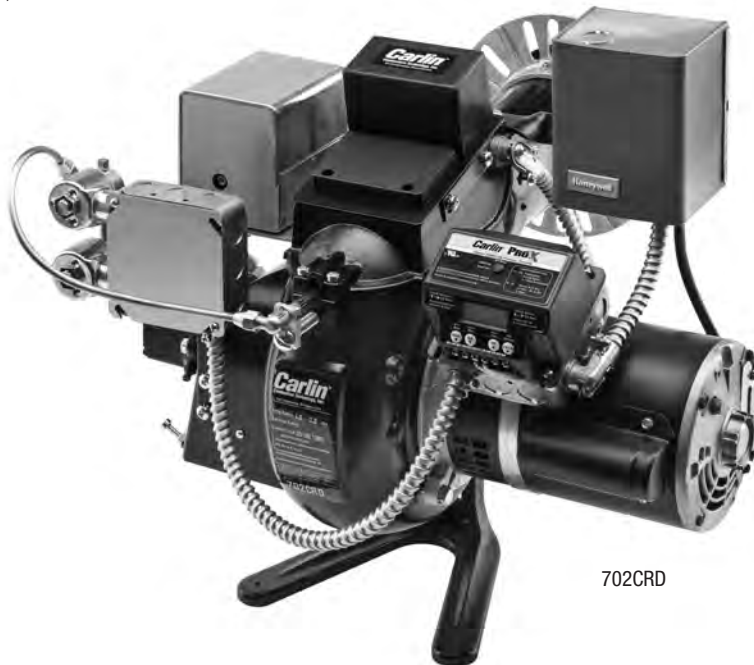
23259S	4" Universal Flange/Gasket - Aluminum
23184S	4" Flange/Gasket for pressurized application
23382S	Pedestal

NOZZLES

Contact Carlin	Nozzles - Consult Factory for Availability of Spray Patterns
----------------	--

STANDARD EQUIPMENT

1. 45000 Carlin Solid State Ignitor
2. Two Stage Two Step Fuel Pump "B"
3. Electronic Time Delay, 4 Sec. (Not Required with 70200 Control)
4. Motor 1/2hp, 3450 rpm, 115/208-230V, 60 Hz
5. Low Fire and Redundant Oil Valve
6. Damper Motor with End Switch
7. Motor Contactor – 2 Pole, 120V, 60HZ Coil



702CRD

Part No.	Description
----------	-------------

801CRD OIL BURNER CHASSIS	
91710B03	801CRD Carlin 40200 Control, 45000 Ignitor, 2 Stg. Pump
91710B04	801CRD Carlin 70200 Fully Adjustable Control, 45000 Ignitor, 2 Stg. Pump
917100033JN	801CRD Carlin 70200 Fully Adjustable Control, 45000 Ignitor, 2 Stg. Pump w/ NYC

BURNER MOUNTED OPTIONS – ADD-ONS	
Contact Carlin	Motor, 3 Phase, 208-230/460V
Contact Carlin	Pump 2 Stg. "J" Style
Contact Carlin	Control Panel
Contact Carlin	Control Sets

AIR TUBE AND COMBUSTION HEAD ASSEMBLIES	
22756S	10" Standard
22780S	12" Standard
22814S	15" Standard

UV Controls Require 12" or 15" Air Tube
UV Controls with Panel Mounted Require 15" Air Tube

MOUNTING FLANGE AND/OR PEDESTAL	
23283S	5" Universal Flange/Gasket - Cast Aluminum
23218S	5" Flange/Gasket for pressurized application
59576S	5" Flange required for UV Application
23382S	Pedestal

NOZZLES	
Contact Carlin	Nozzles - (2) Required - Consult Factory for Availability of Spray Patterns

STANDARD EQUIPMENT

1. 45000 Carlin Solid State Ignitor
2. Two Stage Fuel Pump "B"
3. Electronic Time Delay, 4 Sec. (Not Required with 70200 Control)
4. Motor 3/4hp, 3450 rpm, 115/208-230V, 60 Hz, 1 Phase
5. Low and High Fire Oil Valves
6. Damper Motor with End Switch
7. Motor Contactor – 2 Pole, 120V, 60HZ Coil

COMMERCIAL
OIL

Part No.	Description
----------	-------------

1050FFD OIL BURNER CHASSIS

91728B03	1050FFD, Carlin 40200 Control, 45000 Ignitor, 1 Phase (up to 20 GPH)
917281833J	1050FFD Carlin 70200 Control, 45000 Ignitor (up to 20 GPH)
9172818V43	1050FFD EMX43UV Control Pkg, 45000 Ignitor (over 20 GPH)
917281833JN	1050FFD Carlin 70200 Control, 45000 Ignitor (up to 20 GPH) w/ NYC
9172818V43N	1050FFD EMX43UV Control Pkg, 45000 Ignitor (over 20 GPH) w/ NYC
	1050FFD Burner (Base Price Less Control Package for Above 20 GPH)

BURNER MOUNTED OPTIONS – ADD-ONS

Contact Carlin	Motor, 3 Phase, 208-230/460V
Contact Carlin	Code Requirement Options Available
Contact Carlin	Control Panel
Contact Carlin	Control Sets

NOZZLES

Contact Carlin	Nozzles - (3) Required - Consult Factory for Availability of Spray Patterns
----------------	---

STANDARD EQUIPMENT

1. Motor 1hp, 1 Phase, 115/208-230V
2. Motor Contactor – 2 pole, 120V, 60HZ Coil
3. 45000 Carlin Solid State Ignitor
4. Two Stage Fuel Pump "J"
5. Low and High Fire Oil Valves
6. Air Tube/Combustion Head, Pedestal, Flange and Spacer
7. Damper Motor with End Switch
8. Electronic Time Delay, 4 Sec. (Not Required with 70200 Control)

Note: When ordering you must specify the following:

1. Select "Control Option" from Price Book Page 21.
2. Specify "Spacer Length" – 4", 5", 6", 7", or 8" (4" or 5" spacer length required for Honeywell ultra-violet self-checking controls.)



1050FFD

COMMERCIAL
OIL

Part No.	Description
1150FFD OIL BURNER CHASSIS	
7311415U43	1150FFD EMX43UV Control Set, 45000 Ignitor, 1PH
7311415U43N	1150FFD EMX43UV Control Set, 45000 Ignitor, 1PH w/ NYC
Contact Carlin	1150FFD, Add Control Set (See Control Set Price Sheet)
BURNER MOUNTED OPTIONS – ADD-ONS	
Contact Carlin	Motor, 3 Phase, 208-230/460V
Contact Carlin	Code Requirement Options Available
Contact Carlin	Control Panel
Contact Carlin	Control Sets
NOZZLES	
Contact Carlin	Nozzles - (3) Required - Consult Factory for Availability of Spray Patterns

STANDARD EQUIPMENT

1. Motor 1-1/2hp, 1 Phase, 115/208-230V
2. Motor Contactor – 2 pole, 120V, 60HZ Coil
3. 45000 Carlin Solid State Ignitor
4. Two Stage Fuel Pump “J”
5. Low and High Fire Oil Valves
6. Air Tube/Combustion Head, Pedestal, Flange and Spacer
7. Damper Motor with End Switch
8. Air Flow Proven Switch
9. Duplex Switch Package

Note: When ordering you must specify the following:

1. Select “Control Option” from Price Book Page 21.
2. Specify “Spacer Length” – 4”, 5”, 6”, 7”, or 8” (4” or 5” spacer length required for Honeywell ultra-violet self-checking controls.)

COMMERCIAL
OIL

To substitute an optional control package for the standard control included in the chassis only price (Models 201CRD thru 801CRD) or the burner price (Models 1050FFD and 1150FFD), do the following:

1. Select optional control package to be substituted.
2. Add control package cost, as shown in “Price Adder” column to base burner cost.

Note: Air flow switch, low oil pressure switch, and safety oil valve required for IRI. Air flow switch and safety oil valve required for FM. 6020002 control does not meet IRI or FM requirements.

Optional Control Package Substituted is:		
Control Set Part Number	Relay Part Number	Notes

FIREYE ULTRA-VIOLET SCANNERS		
EMX24UV	MP230	Fireeye Control (1, 5, 6)--Non-Recycling, 4 Sec. TFI, 4 Sec. Flame Stabilization Period, 4 Sec. FFRT, 30 Sec. Pre-Purge, MP230 Programmer, 61-3060 Sub-Base, MAUV1 Amplifier, UV1A Scanner.

HONEYWELL ULTRA-VIOLET SCANNERS		
EMX15UV	RM7897C	1000 Honeywell Control (1, 5, 6)--Field Selectable Recycling, 10 Sec. TFI, 3 Sec. FFRT, 30 Sec. Pre-Purge, 15 Sec. Post-Purge, R7849A 1023 UV Amplifier, Q7800B 1003 Sub-Base, C7027A 1023 Scanner, ST7800A 1039 Timing Card.
EMX39UV	RM7897A	1002 Honeywell Control (1, 5, 6)--Field Selectable Recycling/Non-Recycling, 10 Sec. TFI. Field Selectable 0.8/3.0 Sec. FFRT, 30 Sec. Pre-Purge, Q7800B 1003 Sub-Base, C7027A 1023 UV Scanner, R7849A 1023 UV Amplifier, ST7800A 1039 Timing Card.
EMX43UV	RM7840L	1075 Honeywell Control (3, 4, 6)--Field Selectable Recycling, 10 Sec. TFI, Field Selectable 3.0 FFRT, 30 Sec. Pre-Purge, 15 Sec. Post-Purge, Q7800B 1003 Sub-Base, C7027A 1023 UV Scanner, R7849A 1023 UV Amplifier, ST7800A 1039 Timing Card. Over 20 GPH Control Package.
EMX43UVSC	RM7840L	1075 Honeywell Control (2, 3, 4, 6)--Field Selectable Recycling, 10 Sec. TFI, Field Selectable 3.0 FFRT, 30 Sec. Pre-Purge, Q7800B 1003 Sub-Base, C7027A 1023 UV Scanner, R7849B 1021 UV Amplifier SC, ST7800A 1039 Timing Card. Over 20 GPH Control Package.

HONEYWELL INFRA-RED SCANNERS		
EMX45UVSC	RM7840L	1075 Honeywell Control (2, 3, 4, 6)--Field Selectable Recycling, 10 Sec. TFI, Field Selectable 3.0 FFRT, 30 Sec. Pre-Purge, 15 Sec. Post-Purge, Q7800B 1003 Sub-Base, C7915A1010 IR Scanner, R7852B1009 Amplifier (Self Check), ST7800A 1039 Timing Card. Over 20 GPH.

VISUAL DISPLAY		
Fireye	97271	ED 510 Display Module
Honeywell	97719	RM 7800 Display Module

CAD CELL CONTROL SETS (SEE NOTE 1)		
40E	40200-02	Carlin Interrupted Duty Control – Recycling - 15 Sec.TFI, 10 Sec. Flame Stabilization Period. CAD Cell Flame Detector.
50E	50200-02	Carlin Interrupted Duty Microprocessor – Recycling - 15 Sec. TFI, CAD Cell Flame Detector, Alarm Contacts.
70E	70200	Carlin Fully Adjustable Control – with Alarm and Blocked Vent Contacts.

NOTES

1. All control packages meet CSD-1, Mass Code, UL-296, and NYC-BAR codes for under 20 GPH.
2. Meets Mass Code over 20 GPH where noted.
3. Meets UL-296 over 20 GPH where noted.
4. Meets NYC-BAR Code over 20 GPH and under 30 GPH where noted.
5. Can be installed on all units under 20 GPH.
6. Selected units meet IRI requirements with additional sensors installed. In addition to a non-recycling control, IRI requires the installation of a low oil pressure switch and an airflow switch.
7. Air flow switch, low oil pressure switch, and safety oil valve required for IRI. Air flow switch and safety oil valve required for FM. 70200 control does not meet IRI or FM requirements.

COMMERCIAL OIL

Part No.	Description
----------	-------------

CONTROL PANELS

Consult Carlin	Basic Control Panel - 16"W x 14"H x 7"D
----------------	---

- Burner-mounted panels are available on models: 201CRD, 301CRD, 601CRD, 701CRD, 702CRD, 801CRD, 1050FFD and 1150FFD burners.
- Remote mountings are available for all Residential and Commercial burner models.
- Price of control must be added.
- All panel options are not compatible and all possible specification options are not covered. Each panel must be submitted to Carlin Engineering for final approvals and the exact price will be sent to the customer in the acknowledgment.

STANDARD FEATURES

- Terminal Block with required terminal modules (up to 25 terminal modules)
- Terminal Block Marking Strip
- Service Switch
- Low Fire Switch (on 701CRD and larger only)
- Circuit Breaker with reset (on control circuit)
- Wiring Harness to accommodate specific control
- Wiring Diagram
- Removable Hinged Door
- Hinged Top for easy access

NOTE: Air flow switch, low oil pressure switch, and safety oil valve required for IRI. Air flow switch and safety oil valve required for FM. 6020002 control does not meet IRI or FM requirements.

Part No.	Add-On Options
----------	----------------

82552	Diaphragm Air Flow Switch
33845	Alarm Bell
61200	Alarm Silencing System
35899	Low Oil Pressure Switch
98007	Transformer, 120/24V, 40 VA
50418	Control Circuit Transformer (specify primary voltage & phase) 240-480/120
50420	Control Circuit Transformer (specify primary voltage & phase) 190-220/380-440/120
50419	Control Circuit Transformer (specify primary voltage & phase) 600/120
97991	DPDT R4222D1039 Isolating Relay
97237	Relay Base 8-Pin
78741	Low-High Switch Panel Kit
61267	Safety Oil Valve Kit
37341	Oil Pressure Gage (400#) with Shut-off Cock
	Remote Panel Option
74823	Indicator Light Lamp

INDICATOR LIGHTS AS SPECIFIED

Consult Carlin	Select from the following indicator lights: Power On, Burner Motor, Flow (when air flow switch specified), Ignition, Main Flame, High Fire, Control Lockout, High Limit, Low Water, Call for Heat.
----------------	--

Appliance	Chassis		Air Tube Kit Part No.	Nozzle(s)		
	Burner	Chassis Part No.		Nozzle (1)	Nozzle (2)	Nozzle (3)
BURNHAM V SERIES						
V903A	301CRD	9165200B02B	98147KIT	2.50 80B	N/A	N/A
V904	301CRD	9165200B02B	91991KIT	3.00 80SS	N/A	N/A
V904A	301CRD	9165200B02B	98147KIT	3.50 80SS	N/A	N/A
V905	301CRD	9165200B02B	91991KIT	3.75 80SS	N/A	N/A
V905A	301CRD	9165200B02B	98148KIT	4.50 80SS	N/A	N/A
V906	301CRD	9165200B02B	91918KIT	4.50 60H	N/A	N/A
V906A	702CRD	91694B04	98149KIT	4.00 60P	N/A	N/A
V907	702CRD	91694B04	49304KIT	4.00 70B	N/A	N/A
V907A	702CRD	91694B04	98149KIT	5.00 60P	N/A	N/A
V908	702CRD	91694B04	49304KIT	4.50 70B	N/A	N/A
V908A	702CRD	91694B04	98149KIT	5.50 60P	N/A	N/A
V909	702CRD	91694B04	49304KIT	5.00 70B	N/A	N/A
V909A	801CRD	91710B04	98150KIT	5.50 45H	4.00 45H	N/A
V910	702CRD	91694B04	49304KIT	6.00 70B	N/A	N/A
V910A	801CRD	91710B04	98150KIT	6.50 45H	4.50 45H	N/A
V911	702CRD	91694B04	49304KIT	6.50 60PLP	N/A	N/A
V911A	801CRD	91710B04	98150KIT	6.00 45H	6.00 45H	N/A
V912	801CRD	91710B04	49445KIT	5.50 45H	5.00 45H	N/A
V912A	801CRD	91710B04	98150KIT	7.00 45H	6.50 45H	N/A
V1105	702CRD	91694B04	97979KIT	4.50 60B	N/A	N/A
V1106	702CRD	91694B04	97979KIT	5.50 60B	N/A	N/A
V1107	801CRD	91710B04	97980KIT	5.50 45H	4.50 45H	N/A
V1108	801CRD	91710B04	97980KIT	5.50 45H	5.50 45H	N/A
V1109	801CRD	91710B04	97980KIT	6.00 45H	6.00 45H	N/A
V1110	1050FFD	9046433JV1110	Included	9.00 45SS	3.75 45SS	3.75 45SS
V1111	1050FFD	9046433JV1111	Included	9.00 45SS	4.50 45SS	4.50 45SS
V1112	1050FFD	9046433JBV12	Included	9.00 45SS	5.50 45SS	5.50 45SS
V1113	1050FFD	90464V43B13	Included	9.00 45SS	6.50 45SS	6.50 45SS
V1114	1150FFD	97732V4311	Included	12.00 45SS	5.50 45SS	6.00 45SS
V1115	1150FFD	97732V4311	Included	12.00 45SS	7.00 45SS	6.50 45SS
V1116	1150FFD	97732V4311	Included	12.00 45SS	7.50 45SS	7.50 45SS
V1117	1150FFD	97732V4311	Included	12.00 45SS	8.50 45SS	8.50 45SS

APPLIANCE
SPECIFIC OIL

Appliance	Chassis		Air Tube Kit Part No.	Nozzle(s)		
	Burner	Chassis Part No.		Nozzle (1)	Nozzle (2)	Nozzle (3)
PEERLESS SC/SCT						
SC/SCT-05	201CRD	916290033J	48835KIT	2.50 60B	N/A	N/A
SC/SCT-06	201CRD	916290033J	48835KIT	3.00 60B	N/A	N/A
SC/SCT-07	201CRD	916290033J	48835KIT	3.25 45SS	N/A	N/A
SC/SCT-08	201CRD	916290033J	48835KIT	3.75 45SS	N/A	N/A
SC/SCT-09	301CRD	9165200B02B	49049KIT	4.00 45B	N/A	N/A
SC/SCT-10	301CRD	9165200B02B	49049KIT	4.50 45B	N/A	N/A
PEERLESS LC						
LC-04	301CRD	9165200B02B	97507KIT	4.00 60SS	N/A	N/A
LC-05R	301CRD	9165200B02B	97507KIT	4.50 60SS	N/A	N/A
LC-05	702CRD	91694B04	97500KIT	3.50 45P	N/A	N/A
LC-06	702CRD	91694B04	97500KIT	4.50 45P	N/A	N/A
LC-07	702CRD	91694B04	97500KIT	5.00 45P	N/A	N/A
LC-08	702CRD	91694B04	97500KIT	6.00 45P	N/A	N/A
LC-09	801CRD	91710B04	49460KIT	5.50 45H	4.00 45H	N/A
LC-10	801CRD	91710B04	49460KIT	6.00 45H	4.50 45H	N/A
LC-11	801CRD	91710B04	49460KIT	6.00 45H	5.50 45H	N/A
LC-12	801CRD	91710B04	49460KIT	6.50 45H	6.00 45H	N/A
LC-13	801CRD	91710B04	49460KIT	6.50 45H	7.00 45H	N/A
LC-14	801CRD	91710B04	49460KIT	6.50 45H	8.50 45H	N/A
PEERLESS TC						
TC-04	702CRD	91694B04	93377KIT	4.50 45P	N/A	N/A
TC-05	702CRD	91694B04	93377KIT	6.00 45P	N/A	N/A
TC-06	801CRD	91710B04	49429KIT	5.50 45H	4.50 45H	N/A
TC-07	801CRD	91710B04	49429KIT	6.00 45H	6.00 45H	N/A
TC-08	801CRD	91710B04	49429KIT	6.50 45H	7.50 45H	N/A
TC-09	1050FFD	7277733JTC9	Included	9.00 45SS	5.00 45SS	5.00 45SS
TC-10	1050FFD	7277733JTC10	Included	9.00 45SS	6.50 45SS	6.50 45SS
TC-11	1150FFD	17046V43TC12	Included	12.00 45SS	6.00 45SS	6.00 45SS
TC-12	1150FFD	17046V43TC12	Included	12.00 45SS	7.00 45SS	7.00 45SS
TC-13	1150FFD	17046V43TC12	Included	12.00 45SS	8.50 45SS	8.50 45SS
TC-14	1150FFD	17046V43TC12	Included	12.00 45SS	9.00 45SS	9.00 45SS
PEERLESS TCII						
TCII-4	702CRD	91694B04	93377KIT	4.50 45P	N/A	N/A
TCII-5	702CRD	91694B04	93377KIT	5.50 45H	N/A	N/A
TCII-6	801CRD	91710B04	49429KIT	5.50 45H	4.50 45H	N/A
TCII-7	801CRD	91710B04	49429KIT	6.00 45H	5.50 45H	N/A
TCII-8	801CRD	91710B04	49429KIT	6.50 45H	6.50 45H	N/A
TCII-9	1050FFD	72777TC1	Included	9.00 45SS	4.50 45SS	5.00 45SS
TCII-10	1050FFD	72777TC4	Included	9.00 45SS	6.00 45SS	6.00 45SS
TCII-11	1150FFD	17046TC1	Included	11.00 45SS	6.00 45SS	6.00 45SS
TCII-12	1150FFD	17046TC1	Included	12.00 45SS	6.50 45SS	6.50 45SS
TCII-13	1150FFD	17046TC1	Included	13.00 45SS	7.00 45SS	7.00 45SS
TCII-14	1150FFD	17046TC1	Included	14.00 45SS	7.50 45SS	7.50 45SS

Parts List ■ Items that are shaded are considered stock items and will ship in 3-5 days.

APPLIANCE SPECIFIC OIL

Appliance	Chassis		Air Tube Kit Part No.	Nozzle(s)		
	Burner	Chassis Part No.		Nozzle (1)	Nozzle (2)	Nozzle (3)
SMITH 19						
19A-03	201CRD	916290033J	98307KIT	2.00 70B	N/A	N/A
19A-04	301CRD	91652B02	90787KIT	2.75 80SS	N/A	N/A
19A-05	301CRD	91652B02	90787KIT	4.00 60PLP	N/A	N/A
19A-06	702CRD	91694B04	49312KIT	3.75 60P	N/A	N/A
19A-07	702CRD	91694B04	49312KIT	4.50 60P	N/A	N/A
19A-08	702CRD	91694B04	49312KIT	5.00 60P	N/A	N/A
19A-09	702CRD	91694B04	49312KIT	6.00 60P	N/A	N/A
19A-10	801CRD	91710B04	91827KIT	5.50 45H	4.00 45H	N/A
19A-11	801CRD	91710B04	91827KIT	5.50 45H	5.50 45H	N/A
19A-12	801CRD	91710B04	91827KIT	6.00 45H	6.00 45H	N/A
SMITH 28						
28A-4	702CRD	91694B04	93377KIT	4.50 45P	N/A	N/A
28A-5	702CRD	91694B04	93377KIT	6.00 45P	N/A	N/A
28A-6	801CRD	91710B04	49429KIT	5.50 45H	4.50 45H	N/A
28A-7	801CRD	91710B04	49429KIT	6.00 45H	6.00 45H	N/A
28A-8	801CRD	91710B04	49429KIT	6.50 45H	7.50 45H	N/A
28A-9	1050FFD	1551133J28	Included	9.00 45SS	5.00 45SS	5.00 45SS
28A-10	1050FFD	15511U43S28	Included	9.00 45SS	6.50 45SS	6.50 45SS
28A-11	1150FFD	97227U43S281	Included	12.00 45SS	6.00 45SS	6.00 45SS
28A-12	1150FFD	97227U43S281	Included	12.00 45SS	7.00 45SS	7.00 45SS
28A-13	1150FFD	97227U43S281	Included	12.00 45SS	8.50 45SS	8.50 45SS
28A-14	1150FFD	97227U43S281	Included	12.00 45SS	9.00 45SS	9.00 45SS
SMITH HE28						
HE 28-4	702CRD	91694B04	93377KIT	4.50 45P	N/A	N/A
HE 28-5	702CRD	91694B04	93377KIT	5.50 45H	N/A	N/A
HE 28-6	801CRD	91710B04	49429KIT	5.50 45H	4.50 45H	N/A
HE 28-7	801CRD	91710B04	49429KIT	6.00 45H	5.50 45H	N/A
HE 28-8	801CRD	91710B04	49429KIT	6.50 45H	6.50 45H	N/A
HE 28-9	1050FFD	1551133J28	Included	9.00 45SS	4.50 45SS	5.00 45SS
HE 28-10	1050FFD	15511U43S28	Included	9.00 45SS	6.00 45SS	6.00 45SS
HE 28-11	1150FFD	97227U43S281	Included	11.00 45SS	6.00 45SS	6.00 45SS
HE 28-12	1150FFD	97227U43S281	Included	12.00 45SS	6.50 45SS	6.50 45SS
HE 28-13	1150FFD	97227U43S281	Included	13.00 45SS	7.00 45SS	7.00 45SS

APPLIANCE SPECIFIC OIL

Appliance	Chassis		Air Tube Kit Part No.	Nozzle(s)		
	Burner	Chassis Part No.		Nozzle (1)	Nozzle (2)	Nozzle (3)
WEIL-MCLAIN 80 SERIES						
480	201CRD	916290033J	48736KIT	2.75 60P	N/A	N/A
580	301CRD	9165200B02B	96792KIT	3.75 60P	N/A	N/A
680	301CRD	9165200B02B	96792KIT	4.50 60P	N/A	N/A
780	702CRD	91694B04	49304KIT	3.75 45P	N/A	N/A
880	702CRD	91694B04	49304KIT	4.50 45P	N/A	N/A
980	702CRD	91694B04	49304KIT	5.00 45P	N/A	N/A
1080	702CRD	91694B04	49304KIT	5.50 45P	N/A	N/A
1180	702CRD	91694B04	49304KIT	6.00 45P	N/A	N/A
1280	801CRD	91710B04	49445KIT	5.50 45P	4.00 45P	N/A
WEIL-MCLAIN 88 SERIES						
488-R2	702CRD	91694B04	49304KIT	4.00 60PLP	N/A	N/A
488	702CRD	91694B04	49304KIT	4.00 60PLP	N/A	N/A
588	702CRD	91694B04	49304KIT	5.50 70P	N/A	N/A
688	801CRD	91710B04	49445KIT	5.50 45H	4.50 45H	N/A
788	801CRD	91710B04	49445KIT	6.00 45H	5.50 45H	N/A
888	801CRD	91710B04	49445KIT	6.50 45H	7.00 45H	N/A
988	1050FFD	1574333JBL88	Included	9.00 45SS	4.50 45SS	5.00 45SS
1088R	1050FFD	1574333JBL88	Included	10.00 45SS	5.00 45SS	5.00 45SS
1088	1050FFD	15743V43BL88	Included	10.00 45SS	6.00 45SS	5.50 45SS
1188	1150FFD	97329V43BL88	Included	12.00 45SS	6.00 45SS	5.50 45SS
1288	1150FFD	97329V43BL88	Included	12.00 45SS	7.00 45SS	7.00 45SS
1388	1150FFD	97329V43BL88	Included	13.00 45SS	7.50 45SS	8.00 45SS
1488	1150FFD	97329V43BL88	Included	14.00 45SS	8.00 45SS	9.00 45SS
WEIL-MCLAIN 88 SERIES 2						
488-R	702CRD	91694B04	49304KIT	4.00 70P	N/A	N/A
488	702CRD	91694B04	49304KIT	4.00 70P	N/A	N/A
588	702CRD	91694B04	49304KIT	5.50 60P	N/A	N/A
688	801CRD	91710B04	49445KIT	5.50 45H	4.50 45H	N/A
788	801CRD	91710B04	49445KIT	6.00 45H	5.50 45H	N/A
888	801CRD	91710B04	49445KIT	6.50 45H	7.00 45H	N/A
988R	1050FFD	1574333JBL88	Included	9.00 45SS	4.00 45S	4.00 45SS
988	1050FFD	1574333JBL88	Included	9.00 45SS	4.50 45SS	5.00 45SS
1088R	1050FFD	1574333JBL88	Included	10.00 45SS	5.00 45SS	5.00 45SS
1088	1050FFD	15743V43BL88	Included	10.00 45SS	6.00 45SS	5.50 45SS
1188	1150FFD	97329V43BL88	Included	12.00 45SS	6.00 45SS	5.50 45SS
1288	1150FFD	97329V43BL88	Included	12.00 45SS	7.00 45SS	7.00 45SS
1388	1150FFD	97329V43BL88	Included	13.00 45SS	7.50 45SS	8.00 45SS
1488	1150FFD	97329V43BL88	Included	14.00 45SS	8.00 45SS	8.00 45SS

APPLIANCE SPECIFIC OIL

Part No.	Description
----------	-------------

EZGas Pro MULTI-FIT BURNERS

Includes one diffuser (B: 50,000-175,000 BTU, A: 150,000 -275,000 BTU, 9-Slot: 70,000-230,000 BTU) and matching Air Band, Adjustable Flange, Field Drilled Orifice

9859210BFR1	EZGas Pro Natural/Propane 10" Air Tube, "B" Diffuser
9859210AFR1A	EZGas Pro Natural/Propane 10" Air Tube, "A" Diffuser
9859210SFR1	EZGas Pro Natural/Propane 10" Air Tube, 9-Slot Diffuser
9859212BFR1	EZGas Pro Natural/Propane 12" Air Tube, "B" Diffuser
9859212AFR1	EZGas Pro Natural/Propane 12" Air Tube, "A" Diffuser
9859212SFR1	EZGas Pro Natural/Propane 12" Air Tube, 9-Slot Diffuser
9859214BFR1	EZGas Pro Natural/Propane 14" Air Tube, "B" Diffuser
9859214AFR1	EZGas Pro Natural/Propane 14" Air Tube, "A" Diffuser
9859214SFR3	EZGas Pro Natural/Propane 14" Air Tube, 9-Slot Diffuser
9859216BFR	EZGas Pro Natural/Propane 16" Air Tube, "B" Diffuser
9859216AFR	EZGas Pro Natural/Propane 16" Air Tube, "A" Diffuser
9859218BFR1	EZGas Pro Natural/Propane 18" Air Tube, "B" Diffuser
9859218AFR	EZGas Pro Natural/Propane 18" Air Tube, "A" Diffuser

EZGas Pro Universal (Full BTU Range) Burners

Includes three Diffuser Plates (A, B, and 9-Slot), two Air Bands (1-Slot and 2-Slot), Adjustable Flange and Field Drilled Orifice.

9859210FRU	Universal (Full Range) EZGas Pro Burner 10" Air Tube - Accommodates most boilers
9859210FRU1	As Above with Cover (RESCVR5S) Installed
9859214FRU	Universal (Full Range) EZGas Pro Burner 14" Air Tube - Accommodates most Furnaces & Water Heaters
9859214FRU1	As Above with Cover (RESCVR5S) Installed

EZGas Pro STANDARD EQUIPMENT

- 24V Dual Gas Valve (Natural or Propane Gas) LP Conversion Kit not required.
- Direct Spark Ignition
- Pre-Wired Package Burner
- Carlin 60200FR Primary Safety Control
- Carlin Solid State Ignitor 9KV
- Carlin PSC Motor
- Indicator Light – Flame Present
- Flame Signal Test Jack
- Heavy Duty Universal Mounting Flange or OEM Welded Flange & Gasket
- Air Tube: 10" with UTL 1-3/4" - 3-1/2", 12" with UTL 1-3/4" - 5-1/2", 14" with UTL 1-3/4" - 7-1/2", 16" with UTL 1-3/4 - 9-1/2", 18" with UTL 1-3/4 - 11-1/2"
- Orifice Drilled for 3/32" Pilot Hole

OPTIONAL EQUIPMENT

- Pedestal mount Part No. 23317BLUS. Add \$10.00.
 - Cover Kit (see next page)
- NOTE: EZGas Service Kit Totes – see page 74



EZGas Pro

GAS BURNERS COVER KITS – For Use on Carlin EZGas Pro Burners

Part No.	Description
RESCVR5S	Cover Kit-Gas: Includes cover, backplate, mounting hardware, 8" field drilled orifice
33902FS	Shallow junction box kit

NOTE: Fits EZGas Burners manufactured after August 9, 2012.



OUTSIDE AIR/DIRECT VENT KIT

Part No.	Description
50433KIT	Includes: Filler Section for Backplate with mounting bolts, 4" Air Inlet with Mounting Screws, Insert for Oil Line Opening, 1-5/8" Grommet for BX Cable, push plugs

Filler Section for Backplate



Grommet



Insert for Oil Line Opening



4" Air Inlet



RESIDENTIAL GAS BURNERS
Appliance Specific Burners

Part No.	Description
----------	-------------

EZGas Pro APPLIANCE SPECIFIC BURNERS

Factory configured EZ Gas Burners. Available for a wide variety of oil-fired appliances. (Consult Carlin's Burner Setup Tables at www.CarlinCombustion.com). Includes welded mounting flange, mounted diffuser plate and air band, and a pre-drilled orifice.

Consult Factory	EZGas Pro Appliance Specific Burners
-----------------	--------------------------------------

Part No.	Description
G3B GAS BURNERS	
<i>60,000-180,000 BTU/HR INPUT</i>	
74245	G3B Natural/Propane GH1 6"
74252	G3B Natural/Propane GH1 9"
74229	G3B Natural/Propane GH1 12"

STANDARD EQUIPMENT

1. 24V Dual Gas Valve (Natural or Propane Gas) LP Conversion Kit not required.
2. Hot Surface Ignition
3. Pre-Wired Control Panel
4. 24V Primary Safety Control
5. Transformer 120/24V
6. Indicator Light – Gas Valve On
7. Terminal Strip
8. Flange & Pedestal
9. 6", 9" or 12" Air Tube
10. Orifice Drilled for Lowest Burner Input (Propane)
11. Motor Relay

RESIDENTIAL
GAS

Part No.	Description
201GAS GAS BURNERS WITH DIRECT SPARK IGNITION, 120V CONTROL SYSTEM AND 120V GAS VALVE	
<i>150,000-399,000 BTUH INPUT Diffuser BTU Rates: "C" Diffuser 150,000-215,000 BTU, "B" Diffuser 215,000-300,000 BTU, "A" Diffuser 300,000-399,000 BTU</i>	
9859308CFR	201GAS Natural/Propane 8" Air Tube, "C" Diffuser
9859308BFRA	201GAS Natural/Propane 8" Air Tube, "B" Diffuser
9859308AFR1	201GAS Natural/Propane 8" Air Tube, "A" Diffuser
9859310CFR	201GAS Natural/Propane 10" Air Tube, "C" Diffuser
9859310BFRA	201GAS Natural/Propane 10" Air Tube, "B" Diffuser
9859310AFR1	201GAS Natural/Propane 10" Air Tube, "A" Diffuser
9859312CFR	201GAS Natural/Propane 12" Air Tube, "C" Diffuser
9859312BFRA	201GAS Natural/Propane 12" Air Tube, "B" Diffuser
9859312AFR1	201GAS Natural/Propane 12" Air Tube, "A" Diffuser
9859314CFR1	201GAS Natural/Propane 14" Air Tube, "C" Diffuser
9859314BFRA2	201GAS Natural/Propane 14" Air Tube, "B" Diffuser
9859314AFR1	201GAS Natural/Propane 14" Air Tube, "A" Diffuser
9859316CFR	201GAS Natural/Propane 16" Air Tube, "C" Diffuser
9859316BFRA	201GAS Natural/Propane 16" Air Tube, "B" Diffuser
9859316AFRA	201GAS Natural/Propane 16" Air Tube, "A" Diffuser

STANDARD EQUIPMENT

1. 120V Combination Gas Valve and Regulator (Natural or Propane Gas)
2. Direct Spark Ignition
3. Pre-Wired Package Burner
4. Carlin 60200FR Primary Safety Control
5. Carlin Solid State Ignitor 9KV
6. Carlin PSC Motor
7. Indicator Light – Flame Present
8. Flame Signal Test Jack
9. Heavy Duty Universal Mounting Flange or OEM Welded Flange & Gasket
10. Air Tube: 8" with UTL 1-3/4"- 2-1/2", 10" with UTL 1-3/4"- 4-1/2", 12" with UTL 1-3/4"- 6-1/2", 14" with UTL 1-3/4"- 8-1/2", 16" with UTL 1-3/4"- 10-1/2"
11. Orifice Drilled for 3/32" Pilot Hole

OPTIONAL EQUIPMENT

1. Pedestal mount Part No. 23358BLUS. Add \$30.04.
2. Dual Vales and RV Regulator. Add \$183.25.

Model 201GAS fires both natural & propane gas without a conversion kit.



201GAS

RESIDENTIAL
GAS

Part No.	Description
----------	-------------

301GAS GAS BURNERS WITH DIRECT SPARK IGNITION, 120V CONTROL SYSTEM AND PRE-WIRED GAS TRAIN

Note: Low Gas Pressure Train required for burners firing with less than 5" W.C. See Adder Below for Low Gas Pressure Gas Trains. In Massachusetts, you Can't fire this burner over 999,999 BTUH. See 601GAS for burners firing over 999,999 BTUH. Gas trains come pre-wired, pre-piped and factory tested. Model 301GAS fires both natural and propane gas without a conversion kit.

CHASSIS & TRAIN – 401,000-1,100,000 BTUH INPUT

9931214LFR	301GAS Natural/Propane 14" B Air Tube, Firing Rate 401,000-700,000 BTUH, blank air shutter
9931214MFR	301GAS Natural/Propane 14" C Air Tube, Firing Rate 550,000-1,100,000 BTUH, partial (center) air shutter
9931214HFR	301GAS Natural/Propane 14" C Air Tube, Firing Rate 750,000-1,100,000 BTUH, no air shutter

MASSACHUSETTS BURNERS (with train) REQUIRE A NON-RECYCLING CONTROL – 401,000-999,999 BTUH INPUT

9931214LFRM	301GAS Natural/Propane 14" Air Tube, Firing Rate 401,000-700,000 BTUH
9931214MFRM	301GAS Natural/Propane 14" Air Tube, Firing Rate 550,000-999,999 BTUH
9931214HFRM	301GAS Natural/Propane 14" Air Tube, Firing Rate 750,000-999,999 BTUH

LOW GAS PRESSURE GAS TRAINS – REPLACES STANDARD GAS TRAIN. ADD TO BURNER PRICE ABOVE

Consult Factory	Low Gas Pressure - 1 1/4" Gas Train for up to 800,000 BTUH
Consult Factory	Low Gas Pressure - 1 1/2" Gas Train for up to 950,000 BTUH

NEW VENTLESS GAS TRAINS. ADD TO BURNER PRICE ABOVE

Consult Factory	1" Gas train for up to 700,000 BTUH for Natural or Propane
Consult Factory	1 1/2" Gas Train for up to 950,000 BTUH for Natural or Propane
Consult Factory	2" Gas Train for up to 1,000,000 BTUH for Natural or Propane

TRAIN ONLY – STANDARD*

99518C*	1" Train
99519C*	1 1/4" Train
99924C*	1 1/2" Train
99925C*	2" Train

*To meet Mass code, please add "EN" to part number and add \$156

STANDARD EQUIPMENT

1. Direct Spark Ignition
2. Carlin 41800 Solid State Ignitor 9KV
3. Carlin 60200FR Primary Safety Control
4. Indicator Light – Flame Present
5. Flame Signal Test Jack
6. Carlin 1/6 HP PSC Motor
7. Tridelta Model AP4638 Differential Pressure Type Air Flow Switch
8. OEM Welded Flange & Gasket
9. 14" Air Tube
10. Standard Burner comes equipped with 1" Standard Gas Train

OPTIONAL EQUIPMENT

1. Pedestal mount Part No. 23358BLUS. Add \$30.04.



301GAS

Part No.	Description
----------	-------------

601GAS GAS BURNERS WITH DIRECT SPARK IGNITION, 120V CONTROL SYSTEM AND PRE-WIRED GAS TRAIN

Note: Low Gas Pressure Train required for burners firing with less than 5" W.C. See Adder Below for Low Gas Pressure Burners. For Massachusetts burners with low gas pressure add the Low Gas Pressure Gas Train to the burner cost. Gas trains come pre-wired, pre-piped and factory tested. Model 601GAS fires both natural and propane gas without a conversion kit.

CHASSIS & TRAIN – 700,000-1,500,000 BTUH INPUT

9952014LFR	601GAS Natural/Propane - 14" Air Tube, 1" Gas Train 700,000-1,000,000 BTUH
9952014MFR	601GAS Natural/Propane - 14" Air Tube, 1" Gas Train 800,000-1,050,000 BTUH
9952014HFR	601GAS Natural/Propane - 14" Air Tube, 1 1/4" Gas Train 900,000-1,500,000 BTUH

MASSACHUSETTS BURNERS (with train) REQUIRE A NON-RECYCLING CONTROL – 700,000-1,500,000 BTUH INPUT

9952014LFR-MN	MA 601GAS Natural 14" Air Tube, 1" Gas Train 700,000-1,000,000 BTUH
9952014LFR-MP	MA 601GAS Propane 14" Air Tube, 1" Gas Train 700,000-1,000,000 BTUH
9952014MFR-MN	MA 601GAS Natural 14" Air Tube, 1" Gas Train 800,000-1,050,000 BTUH
9952014MFR-MP	MA 601GAS Propane 14" Air Tube, 1" Gas Train 800,000-1,050,000 BTUH
9952014HFR-MN	MA 601GAS Natural 14" Air Tube, 1 1/4" Gas Train 900,000-1,500,000 BTUH
9952014HFR-MP	MA 601GAS Propane 14" Air Tube, 1 1/4" Gas Train 900,000-1,500,000 BTUH

NEW VENTLESS GAS TRAINS. ADD TO BURNER PRICE ABOVE

Consult Factory	1" Gas train for up to 1,050,000 BTUH for Natural or Propane
Consult Factory	1 1/2" Gas Train for up to 1,300,000 BTUH for Natural or Propane
Consult Factory	2" Gas Train for up to 1,500,000 BTUH for Natural or Propane

LOW GAS PRESSURE GAS TRAINS – REPLACES STANDARD GAS TRAIN. ADD TO BURNER PRICE ABOVE

9952014HFR-MN15	Burners with MA Code Low Gas Pressure Train - 1 1/2" Gas Train for to 1,137,000 BTUH
9952014HFR-15	Burners with Low Gas Pressure Train- 1 1/2" Gas Train for up to 1,137,000 BTUH
9952014HFR-MN20	Burners with MA Code Low Gas Pressure Train- 2" Gas Train for up to 1,400,000 BTUH
9952014HFR-20	Burners with Low Gas Pressure Train - 2" Gas Train for up to 1,400,000 BTUH

STANDARD EQUIPMENT

1. Direct Spark Ignition
2. Carlin 41800 Solid State Ignitor
3. Carlin 60200FR Primary Safety Control
4. Indicator Light – Flame Present
5. Flame Signal Test Jack
6. Marathon 1/2 HP Motor
7. Tridelta Model AP 4638
8. OEM Welded Flange & Gasket
9. 14" Air Tube

OPTIONAL EQUIPMENT

1. Pedestal mount Part No. 23382BLU1S. Add \$62.23.

COMMERCIAL
GAS

Part No.	Description
----------	-------------

702GAS GAS BURNERS WITH DIRECT SPARK IGNITION, 120V CONTROL SYSTEM AND PRE-WIRED GAS TRAIN

Note: Chassis, Gas Train, and Orifice sold separately. Low Gas Pressure Train required for burners firing with less than 5" W.C. See Adder Below for Low Gas Pressure Burners. Massachusetts burners require special wiring codes. See below. Gas trains come prewired, prepiped, and factory tested. Model 702GAS fires both natural and propane gas without a conversion kit. Only need to change pilot orifice.
IMPORTANT: Gas Pressure can fluctuate based on local area demand. Select the gas train that corresponds to the lowest anticipated pressure. When in doubt, select the next larger train size or call Tech Support at 800-989-2275 for assistance.

CHASSIS – 840,000-1,600,000 BTUH INPUT

50065V50	702GAS Standard Chassis Only
50065V50M	702GAS Massachusetts Code Chassis Only

STANDARD AND LOW GAS PRESSURE GAS TRAIN

99743B	1" Gas Train for Low Pressure up to 950,000 BTUH, Standard Pressure up to 1,100,000 BTUH
99743E	1 1/4" Gas Train for Low Pressure up to 1,050,000 BTUH, Standard Pressure up to 1,350,000 BTUH
99743G	1 1/2" Gas Train for Low Pressure up to 1,200,000 BTUH, Standard Pressure up to 1,600,000 BTUH
99743J	2" Gas Train for Low and Standard Pressure up to 1,600,000 BTUH

MASSACHUSETTS CODE AND LOW GAS PRESSURE GAS TRAIN

99743C	1" Gas Train for Low Pressure up to 950,000 BTUH, Standard Pressure up to 1,100,000 BTUH
99743F	1 1/4" Gas Train for Low Pressure up to 1,050,000 BTUH, Standard Pressure up to 1,350,000 BTUH
99743H	1 1/2" Gas Train for Low Pressure up to 1,200,000 BTUH, Standard Pressure up to 1,600,000 BTUH
99743K	2" Gas Train for Low and Standard Pressure up to 1,600,000 BTUH

NEW VENTLESS GAS TRAINS

Consult Factory	1" Gas train for Natural or Propane
Consult Factory	1 1/4" Gas Train for Natural or Propane
Consult Factory	1 1/2" Gas Train for Natural or Propane
Consult Factory	2" Gas Train for Natural or Propane

ORIFICE

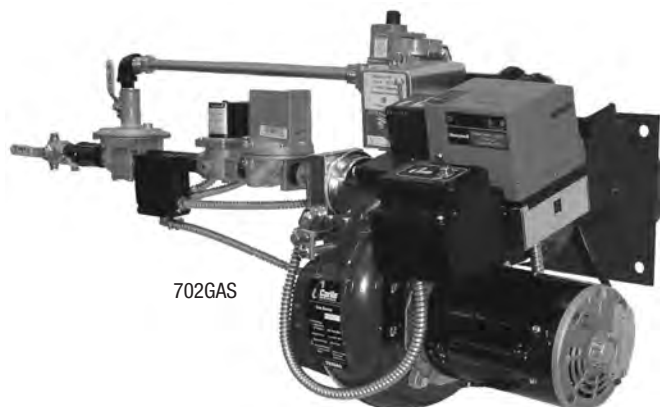
73007S	Natural Gas
73007AS	Propane

STANDARD EQUIPMENT

1. Carlin 41000 Solid State Ignitor
2. Model RM7897C Primary Safety Control
3. Model C7027A UV Scanner
4. Marathon 1/2 HP Motor
5. Damper Motor with End Switch
6. 14" Air Tube

OPTIONAL TRAIN EQUIPMENT

1. Pedestal mount Part No. 23382BLU1S. Add \$62.23



702GAS

Part No.	Description
----------	-------------

702G/O COMBINATION GAS/OIL BURNERS WITH 120V CONTROL SYSTEM AND PREWIRED GAS TRAIN

Note: Chassis, Gas Train, and Orifice sold separately. Low Gas Pressure Train required for burners firing with less than 5" W.C. See Adder Below for Low Gas Pressure Burners. Massachusetts burners require special wiring codes. See below. Gas trains come prewired, prepiped, and factory tested. Model 702G/O fires both natural and propane gas without a conversion kit. Only need to change pilot orifice.
IMPORTANT: Gas Pressure can fluctuate based on local area demand. Select the gas train that corresponds to the lowest anticipated pressure. When in doubt, select the next larger train size or call Tech Support at 800-989-2275 for assistance.

CHASSIS – 6.0 TO 11.2 GPH OIL AND 840,000-1,600,000 BTUH INPUT

99445V50	702G/O Standard Chassis Only
99445V50M	702G/O Massachusetts Code Chassis Only
99445V50N	702G/O New York City Chassis Only

STANDARD AND LOW GAS PRESSURE GAS TRAIN

99743B	1" Gas Train for Low Pressure up to 950,000 BTUH, Standard Pressure up to 1,100,000 BTUH
99743E	1 1/4" Gas Train for Low Pressure up to 1,050,000 BTUH, Standard Pressure up to 1,350,000 BTUH
99743G	1 1/2" Gas Train for Low Pressure up to 1,200,000 BTUH, Standard Pressure up to 1,600,000 BTUH
99743J	2" Gas Train for Low and Standard Pressure up to 1,600,000 BTUH

MASSACHUSETTS CODE AND LOW GAS PRESSURE GAS TRAIN

99743C	1" Gas Train for Low Pressure up to 950,000 BTUH, Standard Pressure up to 1,100,000 BTUH
99743F	1 1/4" Gas Train for Low Pressure up to 1,050,000 BTUH, Standard Pressure up to 1,350,000 BTUH
99743H	1 1/2" Gas Train for Low Pressure up to 1,200,000 BTUH, Standard Pressure up to 1,600,000 BTUH
99743K	2" Gas Train for Low and Standard Pressure up to 1,600,000 BTUH

NEW VENTLESS GAS TRAINS

Consult Factory	1" Gas train for Natural or Propane
Consult Factory	1 1/4" Gas Train for Natural or Propane
Consult Factory	1 1/2" Gas Train for Natural or Propane
Consult Factory	2" Gas Train for Natural or Propane

ORIFICE

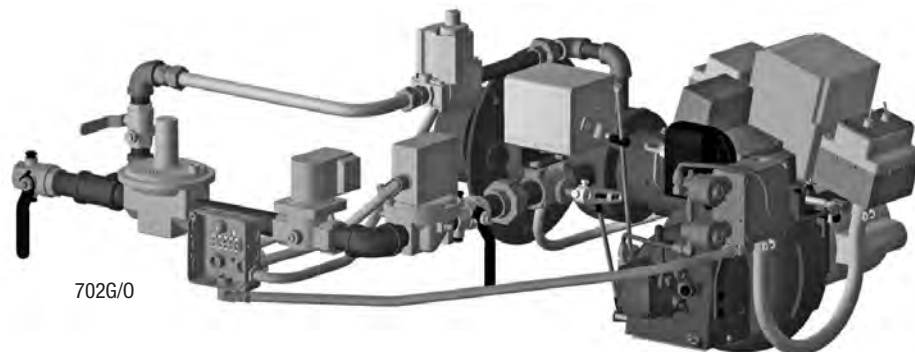
73007S	Natural Gas
73007AS	Propane

STANDARD EQUIPMENT

1. Carlin 41000 Solid State Ignitor
2. Model RM7897C Primary Safety Control
3. Model C7027A UV Scanner
4. Marathon 1/2 HP Motor
5. Damper Motor with End Switch
6. 14" Air Tube
7. Two Stage Two Step Fuel Pump "B"

OPTIONAL TRAIN EQUIPMENT

1. Pedestal mount Part No. 23382REDS. Add \$62.23.



Fuel Type	Chassis			Air Tube Kit Includes Orifices			Air Shutter Setting	Front Plate (from Boiler Mfg.)
	Appliance	Burner	Chassis Part No.	Air Tube Kit Part No.	Natural Gas Orifice	Propane Orifice		Part No.
BURNHAM								
Both	V903A	301GAS	99312-10	99597KIT	9925020AH 31/64	995020U 25/64	FULL	602292311
Both	V904A	301GAS	99312-10	99597KIT	9925020AW 37/64	995020X 7/16	FULL	602292311
Both	V905A	601GAS	99520-10	99597KIT1	9925020BA 23/32	9925020BT 33/64	N/A	602292311
Nat Gas	V906A	601GAS	99520-12	99600KIT	9947620CJ 1-1/16	—	N/A	602292311
Propane			99520-10	99599KIT	—	9925020AJ 5/8		
Nat Gas	V907A	601GAS	99520-12	99600KIT1	9947620AR 1-1/8	—	N/A	602292311
Propane			99520-10	99599KIT1	—	9925020BD 19/32		
Nat Gas	V908A	601GAS	99520-12	99600KIT1	9947620AZ 15/16	—	N/A	602292311
Propane			99520-10	99599KIT1	—	9925020AP 11/16		
PEERLESS SC/SCT								
Both	SC/SCT-05	301GAS	99312-10	99749BKIT	9925020AG 29/64	9925020T 3/8	FULL	90604
Both	SC/SCT-06	301GAS	99312-10	99749AKIT	9925020AM 1/2	9925020V 13/32	FULL	90604
Both	SC/SCT-07	301GAS	99312-10	99749KIT	9925020AV 35/64	9925020X 7/16	FULL	90604
Both	SC/SCT-08	301GAS	99312-10	99749KIT	9925020BD 19/32	9925020AG 29/64	FULL	90604
Both	SC/SCT-09	301GAS	99312-10	99733KIT	9925020BD 19/32	9925020AY 15/32	CENTER	90604
Both	SC/SCT-10	301GAS	99312-10	99733KIT	9925020BR 21/32	9925020AM 1/2	CENTER	90604
PEERLESS LC								
Both	LC-04	301GAS	99312-10	99581KIT	9925020BD 19/32	9925020AG 29/64	CENTER	S1049
Both	LC-05R	301GAS	99312-10	99539KIT	9925020BR 21/32	9925020AM 1/2	CENTER	S1049
Both	LC-05	301GAS	99312-10	99539KIT	9925020BA 23/32	9925020AV 35/64	NONE	S1049
Nat Gas	LC-06	601GAS	99520-12	99540KIT	9947620CD 1.38	—	N/A	S1049
Propane			99520-10	99539KIT2	—	9925020BD 19/32		
Nat Gas	LC-07	601GAS	99520-12	99540KIT1	9947620CD 1.38	—	N/A	S1049
Propane			99520-10	99539KIT3	—	9925020BR 21/32		

Fuel Type	Chassis			Air Tube Kit Includes Orifices			Air Shutter Setting	Front Plate (from Boiler Mfg.)
	Appliance	Burner	Chassis Part No.	Air Tube Kit Part No.	Natural Gas Orifice	Propane Orifice		Part No.
SMITH								
Nat Gas	19A-03	201GAS	99076FR3	N/A	9938440AK 9/16	—	NONE	3565
Propane	19A-03	201GAS	99076FR3P	N/A	—	9938440X 7/16	NONE	3565
Both	19A-04	301GAS	99312-10	99728KIT	9925020AL 17/32	9925020V 13/32	CENTER	3565
Both	19A-05	301GAS	99312-10	99528KIT	9925020AJ 5/8	9925020AM 1/2	NONE	3565
Both	19A-06	301GAS	99312-10	99529KIT	9925020AN 25/32	9925020AK 9/16	NONE	3565
Nat Gas	19A-07	601GAS	99520-12	99530KIT	9947620CD 1.38	—	N/A	3565
Propane	19A-07	601GAS	99520-10	99529KIT1	—	9952020AJ 5/8	N/A	3565
Nat Gas	19A-08	601GAS	99520-12	99530KIT1	9947620AR 1-1/8	—	N/A	3565
Propane	19A-08	601GAS	99520-10	99529KIT2	—	9952020AP 11/16	N/A	3565
WEIL-MCLAIN 80 SERIES								
Both	480	301GAS	99312-10	99311KIT	9925020AM 1/2	9925020T 3/8	FULL	385-700-235
Both	580	301GAS	99312-10	99311KIT	9925020AK 9/16	9925020X 7/16	PARTIAL	385-700-235
Both	680	301GAS	99312-10	99310KIT	9925020AJ 5/8	9925020AM 1/2	PARTIAL	385-700-235
Both	780	301GAS	99312-10	99310KIT	9925020AP 11/16	9925020AL 17/32	NO SHUTTER	385-700-235
Both	880	601GAS	99520-10	99310KIT1	9925020CB 1.05	9925020BD 19/32	N/A	385-700-235
Nat Gas	980	601GAS	99520-12	99538KIT	9947620AZ 15/16	—	N/A	385-700-235
Propane			99520-10	99310KIT2	—	9925020BR 21/32		
Nat Gas	1080	601GAS	99520-12	99538KIT	9947620AR 1-1/8	—	N/A	385-700-235
Propane			99520-12	99538KIT2	—	9947620AX 3/4		
WEIL-MCLAIN 88 SERIES								
Nat Gas	488	601GAS	99520-12	99538KIT	9947620AZ 15/16	—	N/A	—
Propane			99520-10	99310KIT2	—	9925020BD 19/32		—
Both	588	601GAS	99520-12	99538KIT2	9947620AR 1-1/8	9947620AX 3/4	N/A	—

Fuel Type	Chassis			Air Tube Kit Includes Orifices			Air Shutter Setting	Front Plate (from Boiler Mfg.)
	Appliance	Burner	Chassis Part No.	Air Tube Kit Part No.	Natural Gas Orifice	Propane Orifice		Part No.
BURNHAM								
Both	V903A	301GAS	99312-10M	99597KIT	9925020AH 31/64	9925020U 25/64	FULL	602292311
Both	V904A	301GAS	99312-10M	99597KIT	9952020AW 37/64	9925020X 7/16	FULL	602292311
Both	V905A	601GAS	99520-10M	99597KIT1	9925020BA 23/32	9925020BT 33/64	N/A	602292311
Nat Gas	V906A	601GAS	99520-12M	99600KIT	9947620CJ 1-1/16	—	N/A	602292311
Propane			99520-10MP	99599KIT	—	9925020AJ 5/8		602292311
Nat Gas	V907A	601GAS	99520-12M	99600KIT1	9947620AR 1-1/8	—	N/A	602292311
Propane			99520-10MP	99599KIT1	—	9925020BD 19/32		602292311
Nat Gas	V908A	601GAS	99520-12M	99600KIT1	9947620AZ 15/16	—	N/A	602292311
Propane			99520-10MP	99599KIT1	—	9925020AP 11/16		602292311

Note: V903A through V905A boilers require 8" extended front plate (if not already equipped) part no. 6022909

PEERLESS SC/SCT								
Both	SC/SCT-05	301GAS	99312-10M	99749BKIT	9925020AG 29/64	9925020T 3/8	FULL	90604
Both	SC/SCT-06	301GAS	99312-10M	99749AKIT	9925020AM 1/2	9925020V 13/32	FULL	90604
Both	SC/SCT-07	301GAS	99312-10M	99749KIT	9925020AV 35/64	9925020X 7/16	FULL	90604
Both	SC/SCT-08	301GAS	99312-10M	99749KIT	9925020BD 19/32	9925020AG 29/64	FULL	90604
Both	SC/SCT-09	301GAS	99312-10M	99733KIT	9925020BD 19/32	9925020AY 15/32	CENTER	90604
Both	SC/SCT-10	301GAS	99312-10M	99733KIT	9925020BR 21/32	9925020AM 1/2	CENTER	90604
PEERLESS LC								
Both	LC-04	301GAS	99312-10M	99581KIT	9925020BD 19/32	9925020AG 29/64	CENTER	S1049
Both	LC-05R	301GAS	99312-10M	99539KIT	9925020BR 21/32	9925020AM 1/2	CENTER	S1049
Both	LC-05	301GAS	99312-10M	99539KIT1	9925020BA 23/32	9925020AV 35/64	NONE	S1049
Nat Gas	LC-06	601GAS	99520-12M	99540KIT	9947620CD 1.38	—	N/A	S1049
Propane			99520-10MP	99539KIT2	—	9925020BD 19/32		
Nat Gas	LC-07	601GAS	99520-12M	99540KIT1	9947620CD 1.38	—	N/A	S1049
Propane			99520-10MP	99539KIT3	—	9925020BR 21/32		

APPLIANCE SPECIFIC GAS

Fuel Type	Chassis			Air Tube Kit Includes Orifices			Air Shutter Setting	Front Plate (from Boiler Mfg.)
	Appliance	Burner	Chassis Part No.	Air Tube Kit Part No.	Natural Gas Orifice	Propane Orifice		Part No.
SMITH								
Nat Gas	19A-03	201GAS	99076FR3	N/A	9938440AK 9/16	—	NONE	3565
Propane			99076FR3P	N/A	—	9938440x 7/16		
Both	19A-04	301GAS	99312-10M	99728KIT	9925020AL 17/32	9925020V 13/32	CENTER	3565
Both	19A-05	301GAS	99312-10M	99528KIT	9925020AJ 5/8	9925020AM 1/2	NONE	3565
Both	19A-06	301GAS	99312-10M	99529KIT	9925020AN 25/32	9925020AK 9/16	NONE	3565
Nat Gas	19A-07	601GAS	99520-12M	99530KIT	9947620CD 1.38	—	N/A	3565
Propane			99520-10MP	99529KIT1	—	9952020AJ 5/8		
Nat Gas	19A-08	601GAS	99520-12M	99530KIT1	9947620AR 1-1/8	—	N/A	3565
Propane			99520-10MP	99529KIT2	—	9952020AP 11/16		
WEIL-MCLAIN 80 SERIES								
Both	480	301GAS	99312-10M	99311KIT	9925020AM 1/2	9925020T 3/8	FULL	385-700-235
Both	580	301GAS	99312-10M	99311KIT	9925020AK 9/16	9925020X 7/16	PARTIAL	385-700-235
Both	680	301GAS	99312-10M	99310KIT	9925020AJ 5/8	9925020AM 1/2	PARTIAL	385-700-235
Both	780	301GAS	99312-10M	99310KIT	9925020AP 11/16	9925020AL 17/32	NO SHUTTER	385-700-235
Nat Gas	880	601GAS	99520-10M	99310KIT1	9925020CB 1.05	—	N/A	385-700-235
Propane			99520-10MP	99310KIT1	—	9925020BD 19/32		
Nat Gas	980	601GAS	99520-12M	99538KIT	9947620AZ 15/16	—	N/A	385-700-235
Propane			99520-10MP	99310KIT2	—	9925020BR 21/32		
Nat Gas	1080	601GAS	99520-12M	99538KIT	9947620AR 1-1/8	—	N/A	385-700-235
Propane			99520-12MP	99538KIT2	—	9947620AX 3/4		
WEIL-MCLAIN 88 SERIES								
Nat Gas	488	601GAS	99520-12M	99538KIT	9947620AZ 15/16	—	N/A	—
Propane			99520-10MP	99310KIT2	—	9925020BD 19/32		—
Nat Gas	588	601GAS	99520-12M	99538KIT	9947620AR 1-1/8	—	N/A	—
Propane			99520-12MP	99538KIT2	—	9947620AX 3/4		—

Fuel Type	Chassis			Air Tube Kit Includes Orifices			Air Shutter Setting	Front Plate (from Boiler Mfg.)
	Appliance	Burner	Chassis Part No.	Air Tube Kit Part No.	Natural Gas Orifice	Propane Orifice		Part No.
Burnham								
Nat Gas	V903A	301 GAS	99312-10NV	99597KIT	9925020AH 31/64	—	FULL	602292311
Propane			99312-10NVP		—	9925020U 25/64		
Nat Gas	V904A	301 GAS	99312-10NV	99597KIT	9952020AW 37/64	—	FULL	602292311
Propane			99312-10NVP		—	9925020X 7/16		
Nat Gas	V905A	601 GAS	99520-10NV	99597KIT1	9925020BA 23/32	—	N/A	602292311
Propane			99520-10NVP		—	9925020BT 33/64		
Nat Gas	V906A	601 GAS	99520-15NV	99600KIT	9947620CJ 1-1/16	—	N/A	602292311
Propane			99520-10NVP	99599KIT	—	9925020AJ 5/8		
Nat Gas	V907A	601 GAS	99520-15NV	99600KIT1	9947620AR 1-1/8	—	N/A	602292311
Propane			99520-10NVP	99599KIT1	—	9952020BD 19/32		
Nat Gas	V908A	601 GAS	99520-15NV	99600KIT1	9947620AZ 15/16	—	N/A	602292311
Propane			99520-10NVP	99599KIT1	—	9925020AP 11/16		

Note: V903A through V905A boilers require 8" extended front plate (if not already equipped) part no. 6022909

PEERLESS SC/SCT								
Nat Gas	SC/SCT-05	301 GAS	99312-10NV	99749BKIT	9925020AG 29/64	—	FULL	90604
Propane			99312-10NVP		—	9925020T 3/8		
Nat Gas	SC/SCT-06	301 GAS	99312-10NV	99749AKIT	9925020AM 1/2	—	FULL	90604
Propane			99312-10NVP		—	9925020V 13/32		
Nat Gas	SC/SCT-07	301 GAS	99312-10NV	99749KIT	9925020AV 35/64	—	FULL	90604
Propane			99312-10NVP		—	9925020X 7/16		
Nat Gas	SC/SCT-08	301 GAS	99312-10NV	99749KIT	9925020BD 19/32	—	FULL	90604
Propane			99312-10NVP		—	9925020AG 29/64		
Nat Gas	SC/SCT-09	301 GAS	99312-10NV	99733KIT	9925020BD 19/32	—	CENTER	90604
Propane			99312-10NVP		—	9925020AY 15/32		
Nat Gas	SC/SCT-10	301 GAS	99312-10NV	99733KIT	9925020BR 21/32	—	CENTER	90604
Propane			99312-10NVP		—	9925020AM 1/2		
PEERLESS LC								
Nat Gas	LC-04	301 GAS	99312-10NV	99581KIT	9925020BD 19/32	—	CENTER	S1049
Propane			99312-10NVP		—	9925020AG 29/64		
Nat Gas	LC-05R	301 GAS	99312-10NV	99539KIT	9925020BR 21/32	—	CENTER	S1049
Propane			99312-10NVP		—	9925020AM 1/2		
Nat Gas	LC-05	301 GAS	99312-10NV	99539KIT1	9925020BA 23/32	—	NONE	S1049
Propane			99312-10NVP		—	9925020AV 35/64		
Nat Gas	LC-06	601 GAS	99520-15NV	99540KIT	9947620CD 1.38	—	N/A	S1049
Propane			99520-10NVP	99539KIT2	—	9925020BD 19/32		
Nat Gas	LC-07	601 GAS	99520-15NV	99540KIT1	9947620CD 1.38	—	N/A	S1049
Propane			99520-10NVP	99539KIT3	—	9925020BR 21/32		

APPLIANCE SPECIFIC GAS

Fuel Type	Chassis			Air Tube Kit Includes Orifices			Air Shutter Setting	Front Plate (from Boiler Mfg.)
	Appliance	Burner	Chassis Part No.	Air Tube Kit Part No.	Natural Gas Orifice	Propane Orifice		Part No.
SMITH								
Nat Gas	19A-04	301 GAS	99312-10NV	99728KIT	9925020AL 17/32	—	CENTER	3565
Propane			99312-10NVP		—	9925020V 13/32		
Nat Gas	19A-05	301 GAS	99312-10NV	99528KIT	9925020AJ 5/8	—	NONE	3565
Propane			99312-10NVP		—	9925020AM 1/2		
Nat Gas	19A-06	301 GAS	99312-10NV	99529KIT	9925020AN 25/32	—	NONE	3565
Propane			99312-10NVP		—	9925020AK 9/16		
Nat Gas	19A-07	601 GAS	99520-15NV	99530KIT	9947620CD 1.38	—	N/A	3565
Propane			99520-10NVP	99529KIT1	—	9925020AJ 5/8		
Nat Gas	19A-08	601 GAS	99520-15NV	99530KIT1	9947620AR 1-1/8	—	N/A	3565
Propane			99520-10NVP	99529KIT2	—	9925020AP 11/16		
WEIL-MCLAIN 80 SERIES								
Nat Gas	480	301 GAS	99312-10NV	99311KIT	9925020AM 1/2	—	FULL	385-700-235
Propane			99312-10NVP		—	9925020T 3/8		
Nat Gas	580	301 GAS	99312-10NV	99311KIT	9925020AK 9/16	—	PARTIAL	385-700-235
Propane			99312-10NVP		—	9925020X 7/16		
Nat Gas	680	301 GAS	99312-10NV	99310KIT	9925020AJ 5/8	—	PARTIAL	385-700-235
Propane			99312-10NVP		—	9925020AM 1/2		
Nat Gas	780	301 GAS	99312-10NV	99310KIT	9925020AP 11/16	—	NO SHUTTER	385-700-235
Propane			99312-10NVP		—	9925020AL 17/32		
Nat Gas	880	601 GAS	99520-10NV	99310KIT1	9925020CB 1.05	—	N/A	385-700-235
Propane			99520-10NVP	99310KIT1	—	9925020BD 19/32		
Nat Gas	980	601 GAS	99520-15NV	99538KIT	9947620AZ 15/16	—	N/A	385-700-235
Propane			99520-10NVP	99310KIT2	—	9925020BR 21/32		
Nat Gas	1080	601 GAS	99520-15NV	99538KIT	9947620AR 1-1/8	—	N/A	385-700-235
Propane			99520-15NVP	99538KIT2	—	9947620AX 3/4		
WEIL-MCLAIN 88 SERIES								
Nat Gas	488	601 GAS	99520-15NV	99538KIT	9947620AZ 15/16	—	N/A	—
Propane			99520-10NVP	99310KIT2	—	9925020BD 19/32		—
Nat Gas	588	601 GAS	99520-15NV	99538KIT	9947620AR 1-1/8	—	N/A	—
Propane			99520-15NVP	99538KIT2	—	9947620AX 3/4		—

Step 1. Select Burner Chassis

Appliance	Input Oil GPM	Input Gas MBH	Burner Model	Chassis Part No.	Mode	Oil Spec Nozzle	Pump Pressure	Head Setting ②	Low Fire Air Setting ②
-----------	---------------	---------------	--------------	------------------	------	-----------------	---------------	----------------	------------------------

BURNHAM

V906A	7.00	1010	702G/O	99753V50	L-H-0 ①	4.00 60P	100/300	1/4"	1/2"
V907A	8.30	1198	702G/O	99753V50	L-H-0 ①	5.00 60P	100/300	7/16"	1/2"
V908A	9.60	1386	702G/O	99753V50	L-H-0 ①	5.50 60P	100/300	3/4"	9/16"

PEERLESS

LC-05	6.10	881	702G/O	99747V50	L-H-0 ①	3.50 45P	100/300	3/16"	5/16"
LC-06	7.50	1,077	702G/O	99747V50	L-H-0 ①	4.50 45P	100/300	5/16"	7/16"
LC-07	8.80	1,273	702G/O	99747V50	L-H-0 ①	5.00 45P	100/300	1/2"	3/8"
LC-08	10.20	1,469	702G/O	99747V50	L-H-0 ①	6.00 45P	100/300	1"	7/16"

SMITH

19A-6	6.50	931	702G/O	99751V50	L-H-0 ①	3.75 60P	100/300	1/4"	5/16"
19A-7	6.90	1,137	702G/O	99751V50	L-H-0 ①	4.50 70B	100/300	3/8"	1/2"
19A-8	9.30	1,342	702G/O	99751V50	L-H-0 ①	5.00 70B	100/300	1/2"	1/2"

WEIL-MCLAIN

780	6.50	935	702G/O	99752V50	L-H-0 ①	3.75 45P	100/300	3/16"	3/8"
880	6.50	1,082	702G/O	99752V50	L-H-0 ①	4.50 45P	100/300	5/16"	3/8"
980	8.50	1,230	702G/O	99752V50	L-H-0 ①	5.00 45P	100/300	3/8"	7/16"
1080	9.60	1,378	702G/O	99752V50	L-H-0 ①	5.50 45P	100/300	5/8"	9/16"
488	7.00	1,010	702G/O	99752V50	L-H-0 ①	4.00 70P	100/300	5/16"	3/8"
588	9.40	1,357	702G/O	99752V50	L-H-0 ①	5.50 60P	100/300	1 1/4"	3/8"

① Can convert to L-H-L by adding high fire limit control and removing jumper in control panel. Call for assistance

② Head Setting and Low Fire Air Setting represent starting points. All burners must be set up with combustion test equipment.

Note: For NYC add an N to the end of the chassis number \$3120.65

Step 2. Select Gas Train

Part No.	Gas Pressure	Max MBH	Description
99743B	< 5" WC ⓘ	950	1" Gas Train for Low Pressure up to 950,000 BTUH, Standard Pressure up to 1,100,000 BTUH.
	> 5" WC ⓘ	1,100	
99743E	< 5" WC ⓘ	1,050	1 1/4" Gas Train for Low Pressure up to 1,050 BTUH, Standard Pressure up to 1,350,000 BTUH.
	> 5" WC ⓘ	1,350	
99743G	< 5" WC ⓘ	1,200	1 1/2" Gas Train for Low Pressure up to 1,200,000 BTUH, Standard Pressure up to 1,600,000 BTUH.
	> 5" WC ⓘ	1,600	
99743J	< 5" WC ⓘ	1,600	2" Gas Train for Low and Standard Pressure up to 1,600,000 BTUH.WW
	> 5" WC ⓘ	1,600	
VENTLESS DUAL FUEL BURNERS			
99743BNV	< 5" WC ⓘ	950	1" Gas Train with Low and High Gas Pressure Switches
99743BNVP	> 5" WC ⓘ	1,100	
99743ENV	< 5" WC ⓘ	1,050	1 1/4" Gas Train with Low and High Gas Pressure Switches
99743ENVP	> 5" WC ⓘ	1,350	
99743GNV	< 5" WC ⓘ	1,200	1 1/2" Gas Train with Low and High Gas Pressure Switches
99743GNVP	> 5" WC ⓘ	1,600	
99743JNV	< 5" WC ⓘ	1,600	2" Gas Train with Low and High Gas Pressure Switches
99743JNVP	> 5" WC ⓘ	1,600	

ⓘ **IMPORTANT:** Gas pressure can fluctuate based on local area demand. Select the gas train that corresponds to the lowest anticipated pressure. When in doubt, select the next larger train size or call Tech Support at 800-989-2275 for assistance.

Step 3. Select Orifice

Part No.	Fuel
73007	Natural Gas
73007A	Propane

Step 1. Select Burner Chassis

Appliance	Input Oil GPM	Input Gas MBH	Burner Model	Chassis Part No.	Mode	Oil Spec Nozzle	Pump Pressure	Head Setting ②	Low Fire Air Setting ②
-----------	---------------	---------------	--------------	------------------	------	-----------------	---------------	----------------	------------------------

BURNHAM

V906A	7.00	1010	702G/O	99753V50M	L-H-0 ①	4.00 60P	100/300	1/4"	1/2"
V907A	8.30	1198	702G/O	99753V50M	L-H-0 ①	5.00 60P	100/300	7/16"	1/2"
V908A	9.60	1386	702G/O	99753V50M	L-H-0 ①	5.50 60P	100/300	3/4"	9/16"

PEERLESS

LC-05	6.10	881	702G/O	99747V50M	L-H-0 ①	3.50 45P	100/300	3/16"	5/16"
LC-06	7.50	1,077	702G/O	99747V50M	L-H-0 ①	4.50 45P	100/300	5/16"	7/16"
LC-07	8.80	1,273	702G/O	99747V50M	L-H-0 ①	5.00 45P	100/300	1/2"	3/8"
LC-08	10.20	1,469	702G/O	99747V50M	L-H-0 ①	6.00 45P	100/300	1"	7/16"

SMITH

19A-6	6.50	931	702G/O	99751V50M	L-H-0 ①	3.75 60P	100/300	1/4"	5/16"
19A-7	6.90	1,137	702G/O	99751V50M	L-H-0 ①	4.50 70B	100/300	3/8"	1/2"
19A-8	9.30	1,342	702G/O	99751V50M	L-H-0 ①	5.00 70B	100/300	1/2"	1/2"

WEIL-MCLAIN

780	6.50	935	702G/O	99752V50M	L-H-0 ①	3.75 45P	100/300	3/16"	3/8"
880	6.50	1,082	702G/O	99752V50M	L-H-0 ①	4.50 45P	100/300	5/16"	3/8"
980	8.50	1,230	702G/O	99752V50M	L-H-0 ①	5.00 45P	100/300	3/8"	7/16"
1080	9.60	1,378	702G/O	99752V50M	L-H-0 ①	5.50 45P	100/300	5/8"	9/16"
488	7.00	1,010	702G/O	99752V50M	L-H-0 ①	4.00 70P	100/300	5/16"	3/8"
588	9.40	1,357	702G/O	99752V50M	L-H-0 ①	5.50 60P	100/300	1 1/4"	3/8"

① Can convert to L-H-L by adding high fire limit control and removing jumper in control panel. Call for assistance

② Head Setting and Low Fire Air Setting represent starting points. All burners must be set up with combustion test equipment.

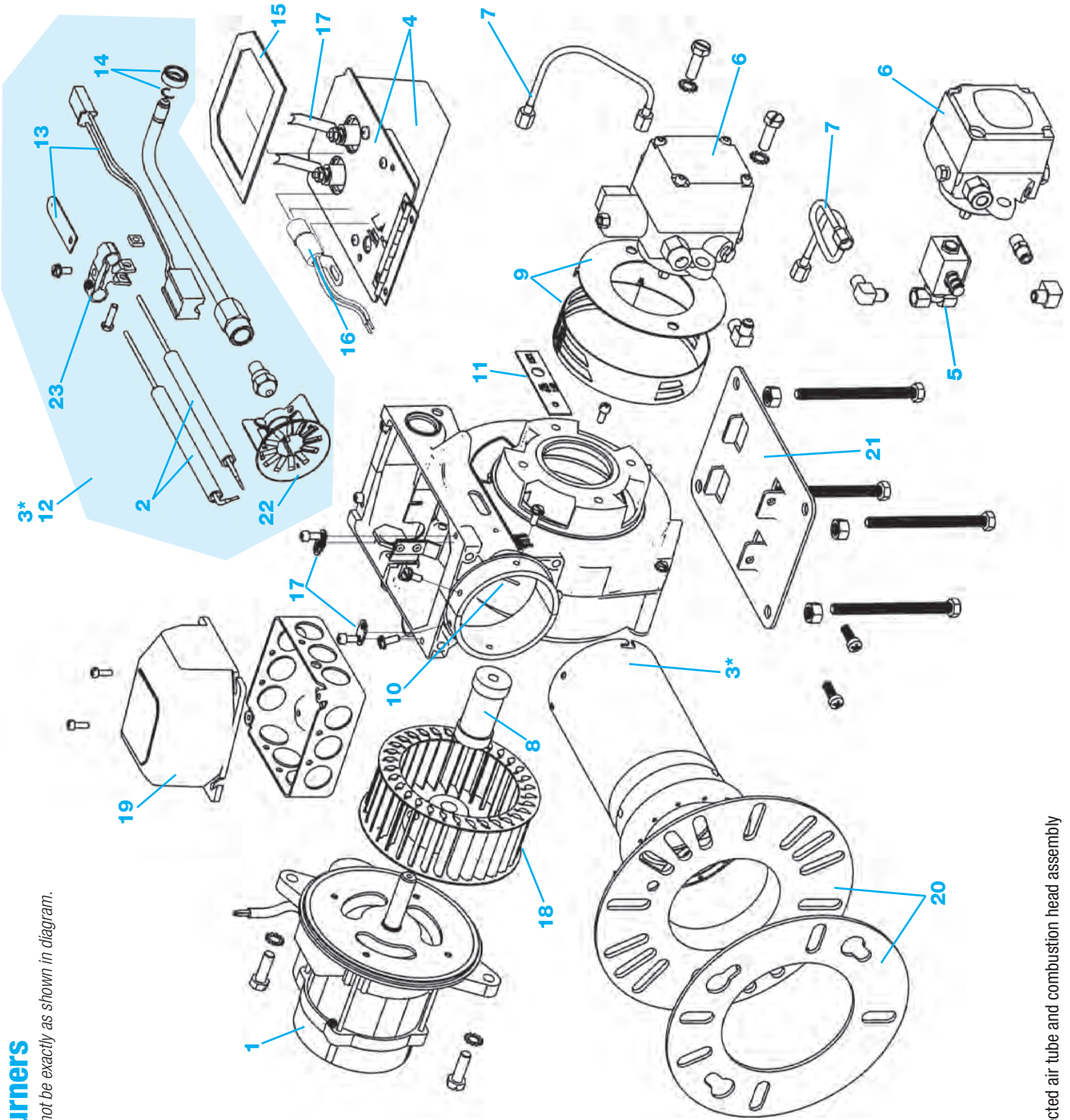
Step 2. Select Gas Train

Part No.	Gas Pressure	Max MBH	Description
99743C	< 5" WC ⓘ	950	1" Gas Train with Low and High Gas Pressure Switches
	> 5" WC ⓘ	1,100	
99743F	< 5" WC ⓘ	1,050	1-1/4" Gas Train with Low and High Gas Pressure Switches
	> 5" WC ⓘ	1,350	
99743H	< 5" WC ⓘ	1,200	1-1/2" Gas Train with Low and High Gas Pressure Switches
	> 5" WC ⓘ	1,600	
99743K	< 5" WC ⓘ	1,600	2" Gas Train with Low and High Gas Pressure Switches
	> 5" WC ⓘ	1,600	
VENTLESS DUAL FUEL BURNERS			
99743BNV	< 5" WC ⓘ	950	1" Gas Train for Low Pressure up to 950,000 BTUH, Standard Pressure up to 1,100,000 BTUH.
99743BNVP	> 5" WC ⓘ	1,100	
99743ENV	< 5" WC ⓘ	1,050	1-1/4" Gas Train for Low Pressure up to 1,050 BTUH, Standard Pressure up to 1,350,000 BTUH.
99743ENVP	> 5" WC ⓘ	1,350	
99743GNV	< 5" WC ⓘ	1,200	1-1/2" Gas Train for Low Pressure up to 1,200,000 BTUH, Standard Pressure up to 1,600,000 BTUH.
99743GNVP	> 5" WC ⓘ	1,600	
99743JNV	< 5" WC ⓘ	1,600	2" Gas Train for Low and Standard Pressure up to 1,600,000 BTUH.
99743JNVP	> 5" WC ⓘ	1,600	

ⓘ **IMPORTANT:** Gas pressure can fluctuate based on local area demand. Select the gas train that corresponds to the lowest anticipated pressure. When in doubt, select the next larger train size or call Tech Support at 800-989-2275 for assistance.

Step 3. Select Orifice

Part No.	Fuel
73007	Natural Gas
73007A	Propane



EZ Oil Burners

Note: Parts may not be exactly as shown in diagram.

*3 includes selected air tube and combustion head assembly

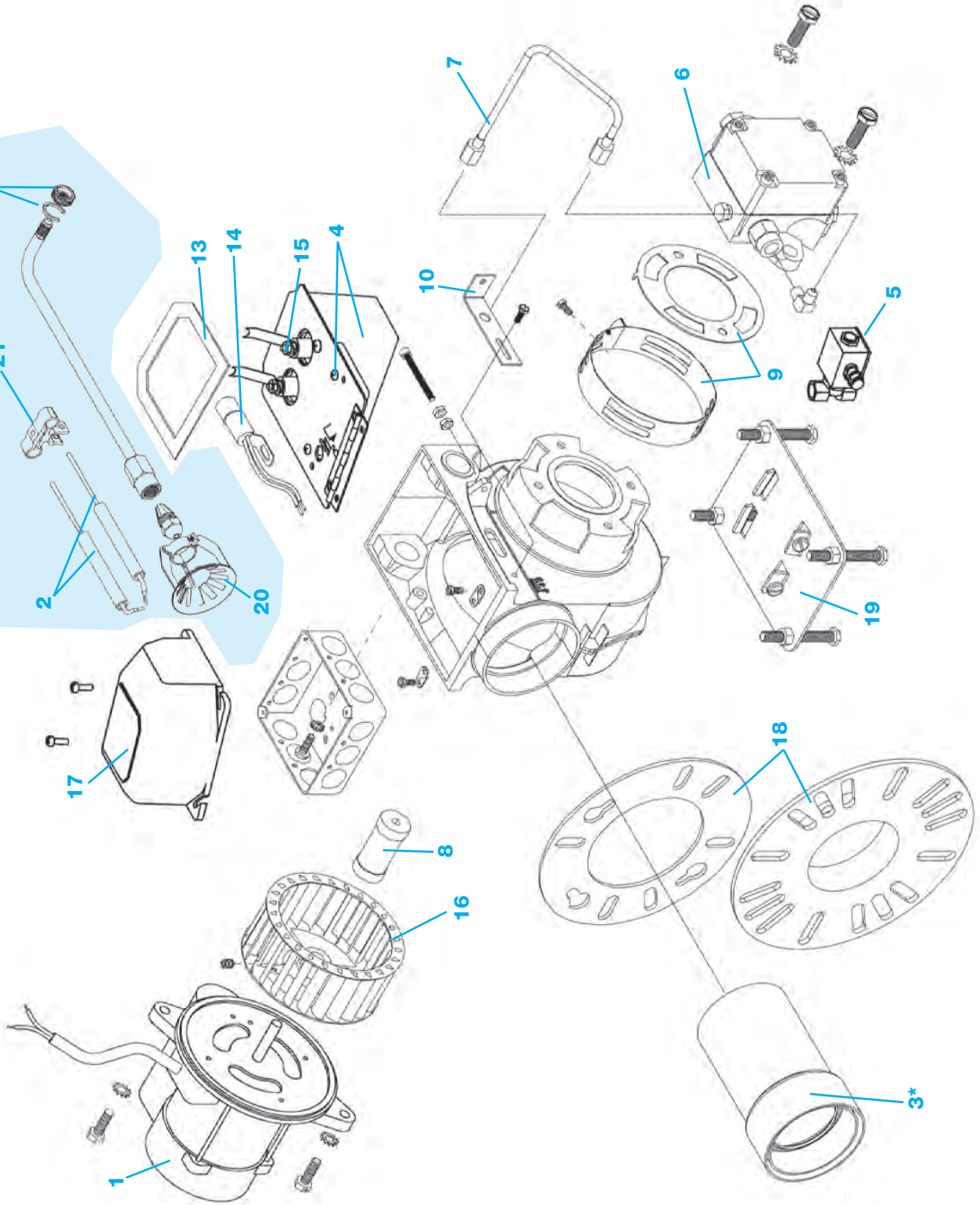
ITEM	PART NO.	DESCRIPTION	EZ1	EZ2	EZ3
12	77941S	Combustion Head Assy 4", 6-3/4" OAL	•		
	77958S	Combustion Head Assy 5", 7-3/4" OAL	•	•	•
	77966S	Combustion Head Assy 7", 9-3/4" OAL	•	•	•
	77974S	Combustion Head Assy 9", 11-3/4" OAL	•	•	•
	77982S	Combustion Head Assy 11", 13-3/4" OAL	•	•	•
13	66795S	Nozzle Line Heater Kit	•	•	•
14	50624S	C-Ring & Thumb nut kit	•	•	•
15	40167S	Ignitor Baseplate Gasket	•	•	•
16	14407S0ES	CAD Cell Kit	•	•	•
17	41DTK01S	Universal Terminal Kit	•	•	•
18	77933S	Blower wheel / fan, 5-1/16" OD x 2" W, 1/2" BORE	•	•	•
19	70200S	Universal Primary w/ Display 70200	•	•	•
	48245S	Model 48245 Primary w/ Smart Ignition	•	•	•
	4020002S	Model 40200 Primary 30/15/30	•	•	•
	5020002S	Model 50200 Primary 30/15/30	•	•	•
	6020002S	Model 60200 Primary 15/15/15	•	•	•
20	81372S	Mounting Flange & Gasket	•	•	•
	82560S	Mounting Flange & Gasket 10-Pak	•	•	•
	50821S	Gasket Only 10-Pak	•	•	•
21	23317S	Pedestal w/Hardware	•	•	•
22	77438S	Retention Ring Assy	•	•	•
23	23135S	Electrode Bracket w/screws and nut	•	•	•
24	PROTOTYPE	Residential Oil Replacement Parts Tote: Includes 70200S Control, Cad Cell Kit, 45000S Ignitor, 82792S Electrodes, EZ1 Head Bar Kit, Oil line kit, Nozzle line heater kit, EZ and 99FRD Retention Rings, Electrode Setting Gauges and E-Ring and Thumb nut kit. (not shown)	•	•	•

ITEM	PART NO.	DESCRIPTION	EZ1	EZ2	EZ3
1	98022S	1/6HP PSC Motor, 48 M Frame	•	•	•
2	82750S	Electrode set (2), - 4", 5-3/4" OAL	•		
	82768S	Electrode set (2), - 5", 6-3/4" OAL	•	•	•
	82776S	Electrode set (2), - 7", 8-3/4" OAL	•	•	•
	82784S	Electrode set (2), - 9", 10-3/4" OAL	•	•	•
	82792S	Electrode set (2), - 11", 12-3/4" OAL	•	•	•
3	78071S	EZ1 5" Air Tube/Combustion Head Assy	•		
	78089S	EZ1 7" Air Tube/Combustion Head Assy	•		
	78105S	EZ1 9" Air Tube/Combustion Head Assy	•		
	78113S	EZ1 11" Air Tube/Combustion Head Assy	•		
	84764S	EZ2/3 5" Air Tube/Combustion Head Assy		•	•
	84772S	EZ2/3 7" Air Tube/Combustion Head Assy		•	•
	84780S	EZ2/3 9" Air Tube/Combustion Head Assy		•	•
84798S	EZ2/3 11" Air Tube/Combustion Head Assy		•	•	
4	41000S	110V Ignitor	•	•	•
	41000S0CAS	110V Ignitor on Baseplate	•	•	•
5	SVC10FFS	Oil Valve	•	•	•
	98289S	Oil Valve Kit with fittings	•	•	•
6	22996S	Fuel Unit A2VA-7116	•	•	•
	98750S	Fuel Unit A2VA-3006 with solenoid	•	•	•
7	34397S	Oil line kit (incl. all oil lines)	•	•	•
	34470S	Oil line for Pump to Combustion Head	•	•	•
8	75564S	Fuel Unit Coupling	•	•	•
9	98055S	EZ1 Airband/Air Shutter Kit	•		
	98087S	EZ2 Airband/Air Shutter Kit		•	
	98096S	EZ3 Airband/Air Shutter Kit			•
10	98059AS	Augmentor, rivet & washer kit	•	•	•
11	81570S	Head bar kit (7 bars & screw)	•		
	84715S	Head bar kit (4 bars & screw)		•	
	86389S	Head bar kit (3 bars & screw)			•

Parts List.

48 **EZ66, 99FRD, 100CRD, 102CRD Oil Burners**

Note: Parts may not be exactly as shown in diagram.

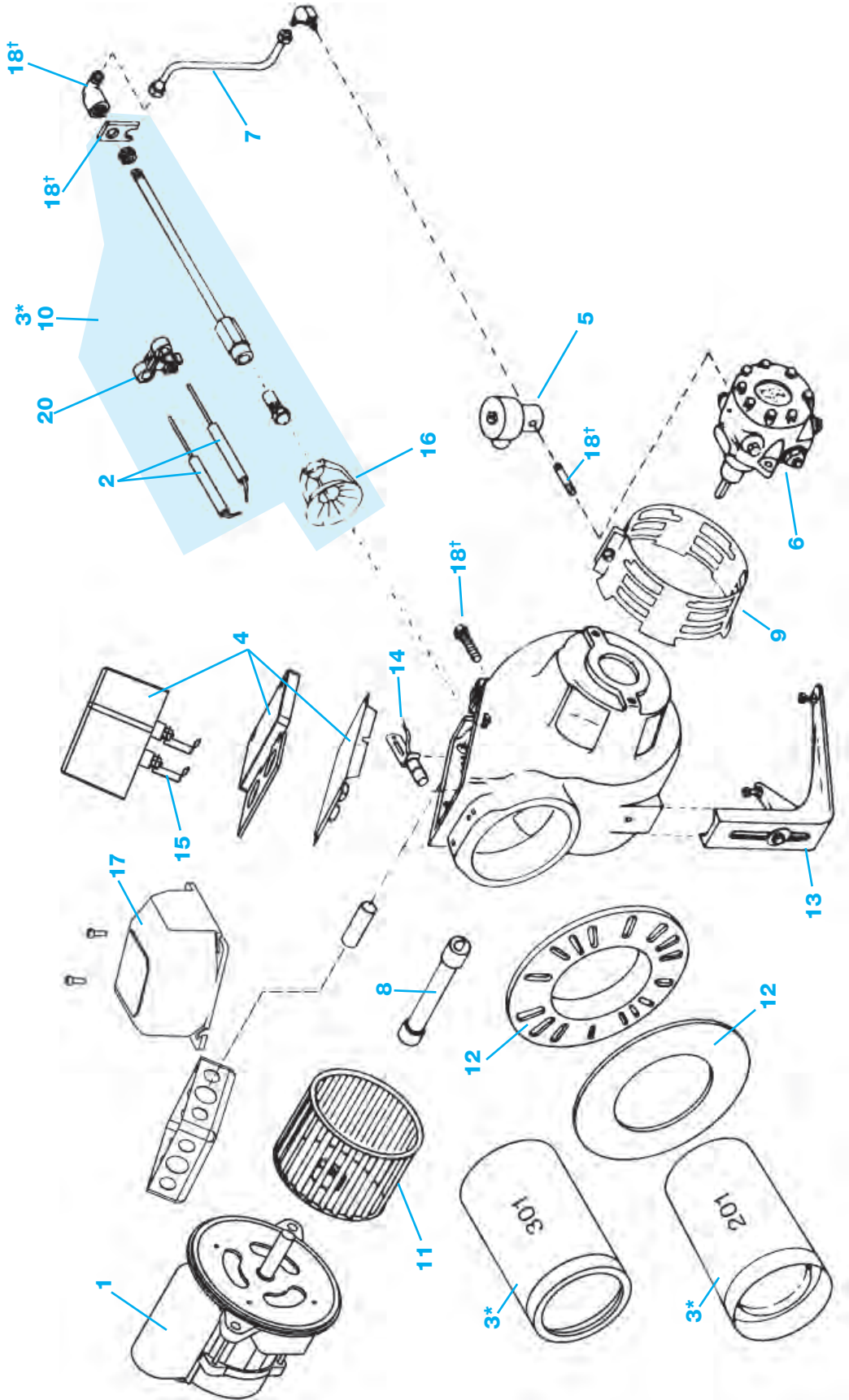


*3 includes selected air tube and combustion head assembly

ITEM	PART NO.	DESCRIPTION	EZ66	99FRD	100CRD	102CRD
1	98022S	1/6HP PSC Motor, 48 M Frame	•	•	•	•
2	82768S	Electrode set (2), - 5", 6-3/4" OAL	•	•	•	•
	82776S	Electrode set (2), - 7", 8-3/4" OAL	•	•	•	•
	82784S	Electrode set (2), - 9", 10-3/4" OAL	•	•	•	•
	82792S	Electrode set (2), - 11", 12-3/4" OAL	•	•	•	•
3	20180S	99FRD/100CRD 5" Air Tube/Combustion Head Assy	•	•	•	•
	20230S	99FRD/100CRD 7" Air Tube/Combustion Head Assy	•	•	•	•
	20313S	99FRD/100CRD 9" Air Tube/Combustion Head Assy	•	•	•	•
	19919S	99FRD/100CRD 11" Air Tube/Combustion Head Assy	•	•	•	•
	21790S	102CRD 5" B Air Tube/Combustion Head Assy	•	•	•	•
	21857S	102CRD 7" B Air Tube/Combustion Head Assy	•	•	•	•
	21881S	102CRD 9" B Air Tube/Combustion Head Assy	•	•	•	•
	21691S	102CRD 11" B Air Tube/Combustion Head Assy	•	•	•	•
	21980S	102CRD 5" C Air Tube/Combustion Head Assy	•	•	•	•
	21998S	102CRD 7" C Air Tube/Combustion Head Assy	•	•	•	•
4	41000S	110V Ignitor	•	•	•	•
	41000S0CAS	110V Ignitor on Baseplate	•	•	•	•
5	SVC10FFS	Oil Valve	•	•	•	•
	98289S	Oil Valve Kit with fittings	•	•	•	•
6	22996S	Fuel Unit A2VA-7116	•	•	•	•
	98750S	Fuel Unit A2VA-3006	•	•	•	•
	23234S	Fuel Unit A2VA-7916	•	•	•	•
7	34397S	Oil line kit (incl. all oil lines)	•	•	•	•
8	75564S	Fuel Unit Coupling	•	•	•	•
9	98100S	99FRD/100CRD Air Band Shutter Single Kit	•	•	•	•
	98101S	99FRD/100CRD/102CRD Air Band Shutter Dual Kit	•	•	•	•
10	5489001S	Nozzle Line adjusting slide	•	•	•	•
	98115S	EZ66 Head Bar Kit	•	•	•	•

Parts List

ITEM	PART NO.	DESCRIPTION	EZ66	99FRD	100CRD	102CRD
11	51805S	Combustion Head Assy 5", 8-1/8" OAL	•	•	•	•
	51854S	Combustion Head Assy 7", 10-1/8" OAL	•	•	•	•
	51896S	Combustion Head Assy 9", 12-1/8" OAL	•	•	•	•
	51599S	Combustion Head Assy 11", 14-1/8" OAL	•	•	•	•
	52316S	Combustion Head Assy 5", 8-1/8" OAL	•	•	•	•
	52373S	Combustion Head Assy 7", 10-1/8" OAL	•	•	•	•
12	52472S	Combustion Head Assy 9", 12-1/8" OAL	•	•	•	•
	52183S	Combustion Head Assy 11", 14-1/8" OAL	•	•	•	•
12	50624S	C-Ring & Thumb nut kit	•	•	•	•
13	40167S	Ignitor Baseplate Gasket	•	•	•	•
14	14407S0ES	CAD Cell Kit	•	•	•	•
15	41DTK01S	Universal Terminal Kit	•	•	•	•
16	28605S	Blower wheel / fan 99FRD, 5-1/4" OD x 2" W, 1/2" BORE	•	•	•	•
	28530S	Blower wheel / fan 100CRD, 4-1/4" OD x 2-5/16" W, 1/2" BORE	•	•	•	•
	28506S	Blower wheel / fan 102CRD, 5-1/16" OD x 2-1/4" W, 1/2" BORE	•	•	•	•
17	70200S	Universal Primary w/ Display 70200	•	•	•	•
	48245S	Model 48245 Primary w/ Smart Ignition	•	•	•	•
	4020002S	Model 40200 Primary 30/15/30	•	•	•	•
	5020002S	Model 50200 Primary 30/15/30	•	•	•	•
18	6020002S	Model 60200 Primary 15/15/15	•	•	•	•
	23150S	Mounting Flange & Gasket	•	•	•	•
19	40287S	Gasket only	•	•	•	•
	23317S	Pedestal w/Hardware	•	•	•	•
20	54981S	Retention Ring Assy 99/100	•	•	•	•
	55061S	Retention Ring Assy 102CRD	•	•	•	•
21	23135S	Electrode Bracket	•	•	•	•
22	PROTOTE	Residential Oil Replacement Parts Kit: Includes 70200S Control, Cad cell kit, 45000S Ignitor, 82792S Electrodes, EZ1 Head Bar Kit, Oil line kit, Nozzle line heater kit, EZ and 99FRD Retention Rings, Electrode setting gauges and E-Ring and Thumb nut kit. (not shown)	•	•	•	•



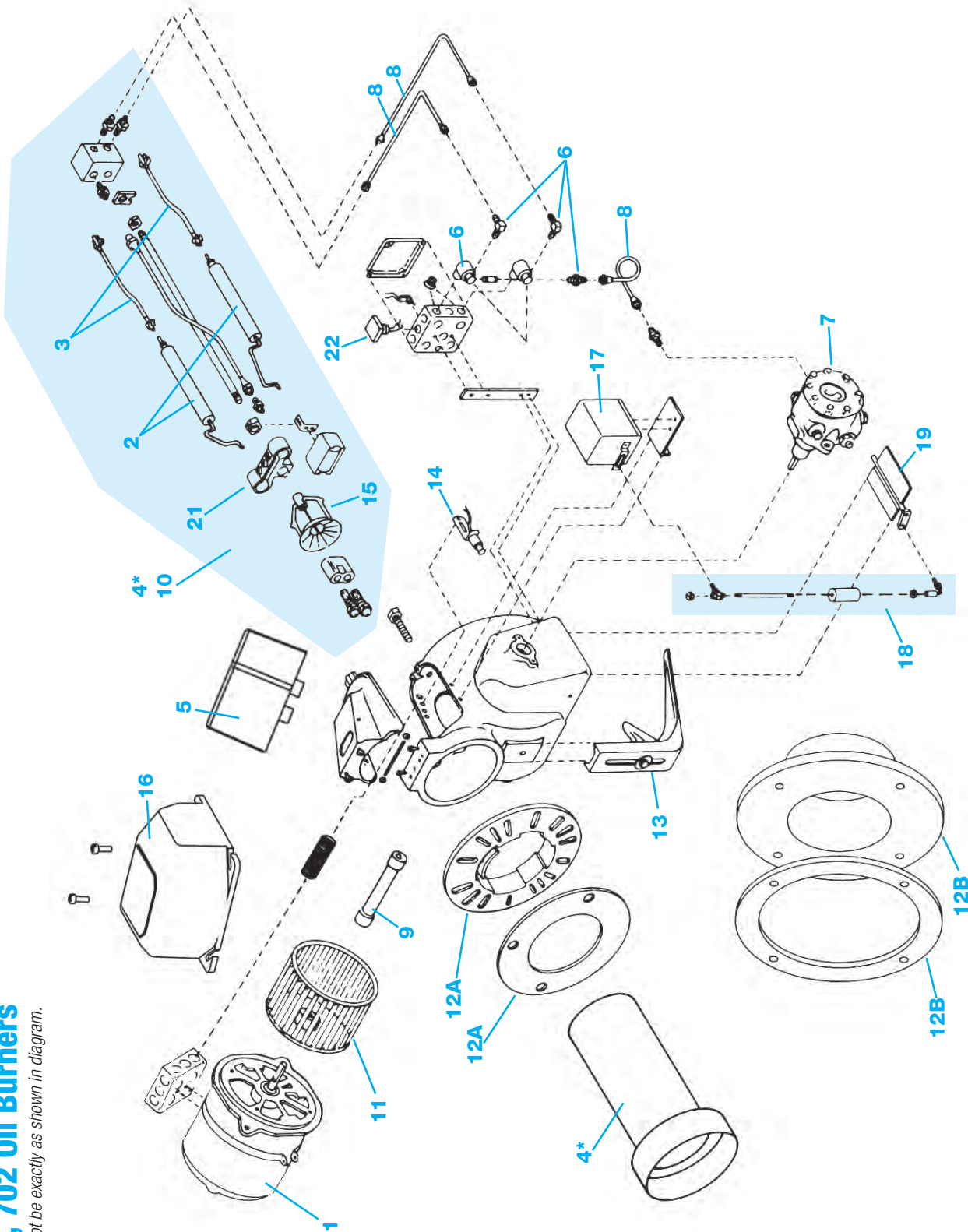
50 201-301 Oil Burner

Note: Parts may not be exactly as shown in diagram.

*3 includes selected air tube and combustion head assembly
†18 includes multiple parts

ITEM	PART NO.	DESCRIPTION	201CRD	301CRD
10	54155S	7" Nominal, 16-3/4" OAL Combustion Head Assy	•	
	54205S	9" Nominal, 18-3/4" OAL Combustion Head Assy	•	
	53975S	11" Nominal, 20-3/4" OAL Combustion Head Assy	•	
	54031S	15" Nominal, 24-5/16" OAL Combustion Head Assy	•	
	55574S	6" Nominal 16-3/4" OAL Combustion Head Assy	•	
	55616S	8" Nominal 18-3/4" OAL Combustion Head Assy	•	
	55434S	10" Nominal 20-3/4" OAL Combustion Head Assy	•	
	55491S	14" Nominal 24-3/4" OAL Combustion Head Assy	•	
	28563S	Blower wheel/ fan, 5-3/4" OD x 4" W, 1/2" BORE	•	
	23259S	4" Universal Flange & Gasket	•	
23184S	4" Pressure Flange & Gasket	•		
23358S	Pedestal w/ hardware	•		
14407S0ES	CAD Cell Kit	•		
41DTK01S	Universal Ignitor Terminal Kit	•		
55418S	Retention Ring Assy 201CRD	•		
55715S	Retention Ring Assy 3010CRD	•		
17	70200S	Universal Primary w/ Display 70200	•	
	4020002S	Model 40200 Primary 30/15/30	•	
	5020002S	Model 50200 Primary 30/15/30	•	
	6020002S	Model 60200 Primary 15/15/15	•	
2301KITS	Hardware Kit (Yoke, CH elbow, OV Nip, CH Adj screw)	•		
47035S	Pressure Augmentor (not shown)	•		
59881S	Electrode Bracket	•		

ITEM	PART NO.	DESCRIPTION	201CRD	301CRD
1	98630S	1/4 hp, 120V, 60HZ, 48N Frame Motor	•	•
2	82776S	Electrode Set (2), 7/6" Nominal, Approx. 8-1/2" OAL	•	•
	82784S	Electrode Set (2), 9/8" Nominal, Approx. 10-3/4" OAL	•	•
	82792S	Electrode Set (2), 11/10" Nominal, Approx. 12-1/2" OAL	•	•
	82818S	Electrode Set (2), 15/14" Nominal, Approx. 16-1/2" OAL	•	•
	82826S	Electrode Set (2), 18/17" Nominal, Approx. 19-1/2" OAL	•	•
	22046S	201CRD 7" Air Tube/Combustion Head Assy	•	
22053S	201CRD 9" Air Tube/Combustion Head Assy	•		
22012S	201CRD 11" Air Tube/Combustion Head Assy	•		
22020S	201CRD 15" Air Tube/Combustion Head Assy	•		
22293S	301CRD B-Style 6" Air Tube/Combustion Head Assy	•		
22327S	301CRD B-Style 8" Air Tube/Combustion Head Assy	•		
22202S	301CRD B-Style 10" Air Tube/Combustion Head Assy	•		
22236S	301CRD B-Style 14" Air Tube/Combustion Head Assy	•		
22442S	301CRD C-Style 6" Air Tube/Combustion Head Assy	•		
22475S	301CRD C-Style 8" Air Tube/Combustion Head Assy	•		
22350S	301CRD C-Style 10" Air Tube/Combustion Head Assy	•		
22384S	301CRD C-Style 14" Air Tube/Combustion Head Assy	•		
4	41000S	110V Ignitor	•	•
	41000S0SC	110V Ignitor on Baseplate	•	•
5	SVC10FFS	Oil Valve	•	•
	98289S	Oil Valve Kit with fittings	•	•
6	23234S	Fuel Unit, 1 Stage, A2YA-7916 100PSI	•	•
	74443S	Fuel Unit, 1 Stage, NYC, A2YA-7916 100PSI	•	•
	74443HPS	Fuel Unit, 1 Stage, NYC, A2YA-7916 150PSI	•	•
	23267S	Fuel Unit, 2 Stage, B2YA-8916 100PSI	•	•
	74459S	Fuel Unit, 2 Stage, NYC, B2YA-8916 100PSI	•	•
74559HPAS	Fuel Unit, 2 Stage, NYC, B2YA-8916 140PSI	•	•	
74559HPS	Fuel Unit, 2 Stage, NYC, B2YA-8916 150PSI	•	•	
34785S	Oil line kit (incl. all oil lines)	•	•	
28720S	Fuel Unit Coupling	•	•	
47001S	201/301CRD 4-slot Air Band	•	•	



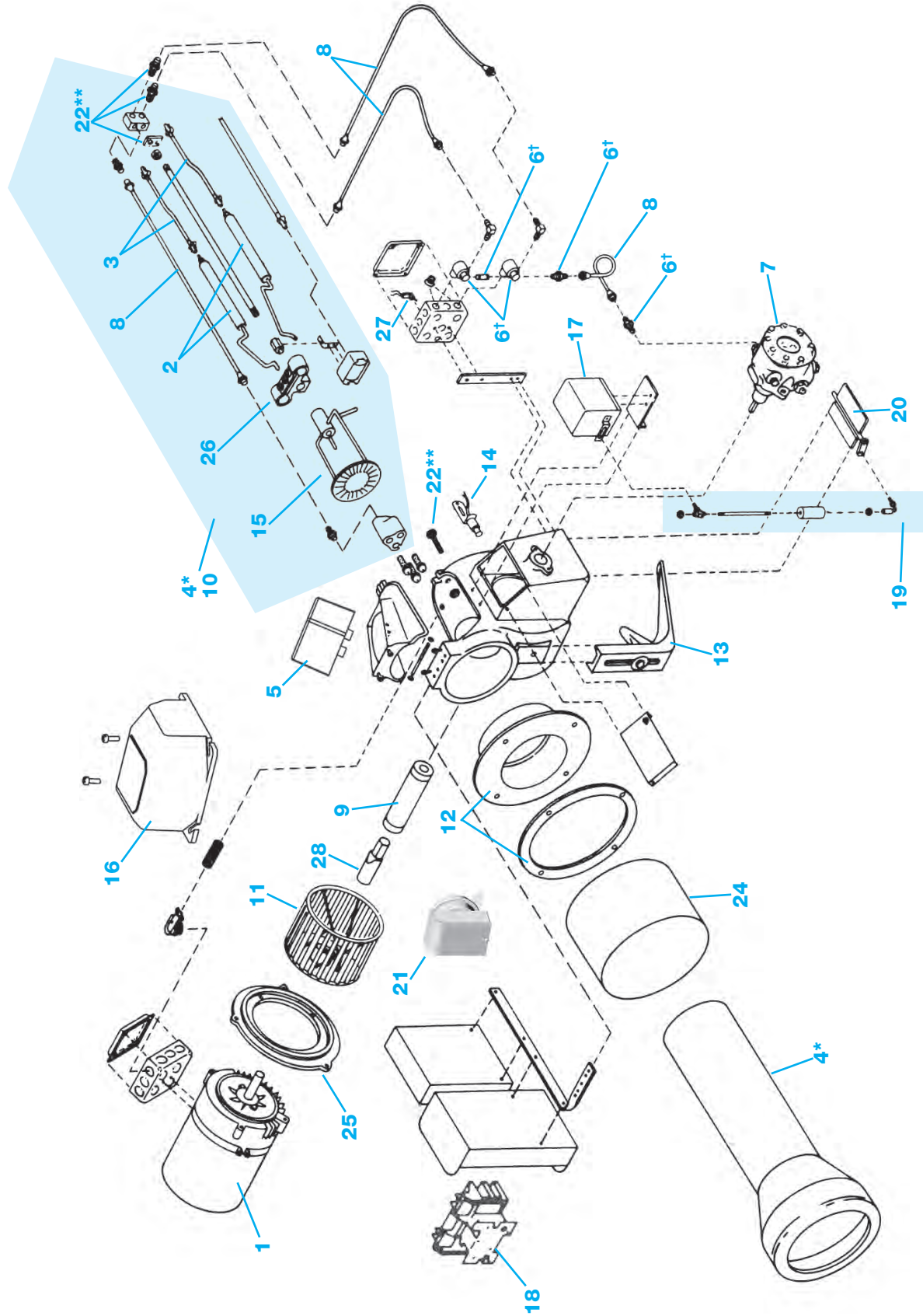
52 601. 701, 702 Oil Burners

Note: Parts may not be exactly as shown in diagram.

*4 includes selected air tube and combustion head assembly

ITEM	PART NO.	DESCRIPTION	601CRD	701CRD	702CRD
1	27706S	1/2 hp, 115/230V, 60HZ, 1 Phase, 3450 rpm Motor	•	•	•
2	98507S	Electrode Set (2), Approx. 9-1/4" OAL	•	•	•
3	56069S	Ignition Wire 9-1/4" OAL, for Nominal 12" Air Tube (2 req'd)	•	•	•
	56036S	Ignition Wire 10-3/4" OAL for Nominal 14" Air Tube (2 req'd)	•	•	•
	56085S	Ignition Wire 8-3/8" OAL, for Nominal 10" Air Tube (2 req'd)	•	•	•
4	22517S	601CRD 10" Standard Air Tube/Combustion Head Assy	•		
	22541S	601CRD 12" Standard Air Tube/Combustion Head Assy	•		
	22574S	601CRD 14" Standard Air Tube/Combustion Head Assy	•		
	22632S	701CRD 10" Standard Air Tube/Combustion Head Assy		•	
	22665S	701CRD 12" Standard Air Tube/Combustion Head Assy		•	
	22699S	701CRD 14" Standard Air Tube/Combustion Head Assy		•	
5	68650S	702CRD 10" Standard Air Tube/Combustion Head Assy			•
	41000S	110V Ignitor	•	•	•
6	41000S0LC	110V Ignitor on Baseplate	•	•	•
	40857S	Instant Oil Valve 32Z0071TSCV	•	•	•
	41004S	Instant Oil Valve 32Z0078TSCV 3 Way	•	•	•
7	61150KITS	Oil Valve Fitting Kit (44560, 29678, 44461, 29728, 44545)	•	•	•
	74450S	Fuel Unit, 2 Stage, NYC, J4PB-B1000G	•		
	74468S	Fuel Unit, 2 Stage, NYC, J4PB-B1000G		•	
	23556S	Fuel Unit, 2 Stage, B2TA-8851			•
	74476S	Fuel Unit, 2 Stage, NYC, B2TA-8851 100/300PSI			•
	98042S	Fuel Unit, 2 Stage, B2TA-8260			•
8	98127S	Fuel Unit, 2 Stage, NYC, B2TA-8260	•	•	
	98126S	Fuel Unit, 2 Stage, NYC, B2TA-8260	•	•	
8	75291S	Oil line kit	•	•	•
9	28738S	Coupling 1/2" ID x 7/16" ID x 4 7/8" L, H or J Pump	•	•	•
	28761S	Coupling 1/2" ID x 5/16" ID x 6 11/32" L, B Pump	•	•	•
	98856S	Coupling 1/2" ID x 5/16" ID x 6 13/16" L, B Pump			•

ITEM	PART NO.	DESCRIPTION	601CRD	701CRD	702CRD
10	56416S	10" Nominal 20-3/4" OAL Combustion Head Assy	•		
	56440S	12" Nominal 22-3/4" OAL Combustion Head Assy	•		
	56473S	14" Nominal 24-3/4" OAL Combustion Head Assy	•		
	57349S	10" Nominal 20-3/4" OAL Combustion Head Assy		•	
	57539S	12" Nominal 22-3/4" OAL Combustion Head Assy		•	
	57596S	14" Nominal 25-3/4" OAL Combustion Head Assy		•	
11	57737S	10" Nominal 20-3/4" OAL Combustion Head Assy	•		
	98857S	Blower Wheel Only, 6-1/2" OD x 3-3/4" W, 1/2" Bore	•	•	•
12A	98857KITS	Blower Wheel, Coupling, Augmentor, 6-1/2" OD x 3-3/4" W, 1/2" Bore			•
	23259S	4" Universal Flange & Gasket	•	•	•
	23184S	4" Pressure Flange & Gasket	•	•	•
13	59444UVS	4" Pressure Flange & Gasket – Ultra Violet (not shown)	•	•	•
	23382S	Pedestal w/ hardware	•	•	•
14	14407S0ES	CAD Cell Kit	•	•	•
	56580S	Retention Ring Assy 601CRD	•		
15	56697S	Retention Ring Assy 701CRD		•	
	56747S	Retention Ring Assy 702CRD			•
	70200S	Universal Primary w/ Display 70200	•	•	•
16	4020002S	Model 40200 Primary 30/15/30	•	•	•
	5020002S	Model 50200 Primary 30/15/30	•	•	•
	6020002S	Model 60200 Primary 15/15/15	•	•	•
17	35808S	Damper Motor – M436A		•	•
18	22871S	Damper Motor Linkage Kit		•	•
	47407S	Air Shutter Assembly		•	
19	48108S	Air Shutter Assembly		•	
	6702KITS	Hardware Kit (54916, 29694, 47167, 29892, 29728)	•	•	•
20	59881S	Electrode Bracket	•	•	•
	35741S	4 Second Time Delay	•	•	•



54 **801, 1050 & 1150 Oil Burners**

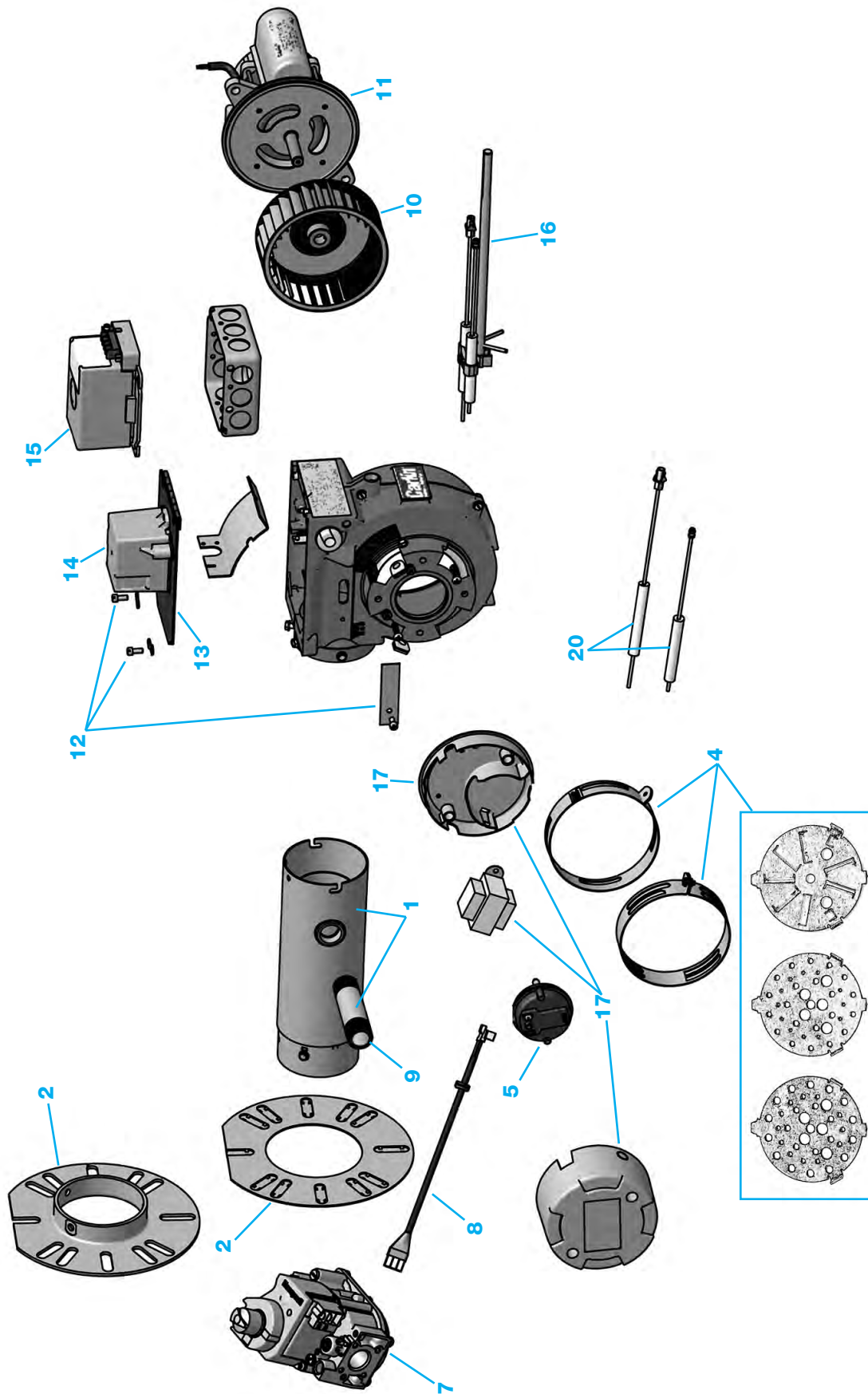
Note: Parts may not be exactly as shown in diagram.

*4 includes selected air tube and combustion head assembly
†6 includes multiple parts **22 includes multiple parts

ITEM	PART NO.	DESCRIPTION	801CRD	1050FFD	1150FFD
1	27730S	Motor: 3/4HP 115/208-230V 60HZ, 1 Phase, 3450 RPM	•		
	27746S	Motor: 3/4HP 115/208-230V 60HZ, 3 Phase, 3450 RPM	•		
	27516S	Motor: 1HP 115/208-230V 60HZ, 1 Phase, 3450 RPM	•	•	
	27532S	Motor: 1 HP 115/208-230V 60HZ, 3 Phase, 3450 RPM	•	•	
	27557S	Motor: 1-1/2HP 115/208-230V 60HZ, 1 Phase, 3450 RPM	•	•	
	27565S	Motor: 1-1/2HP 115/208-230V 60HZ, 3 Phase, 3450 RPM	•	•	
2	98507S	Electrode Set of 2, Approx. 9-1/4" OAL	•	•	•
3	56069S	Ignition Wire: 9-1/4" OAL, for Nominal 10" Air Tube (2 req'd)	•		
	56127S	Ignition Wire: 10-1/8" OAL for Nominal 12" Air Tube (2 req'd)	•		
	56135S	Ignition Wire: 11-5/8" OAL, for Nominal 15" Air Tube (2 req'd)	•		
	55772S	Ignition Wire: 12-1/4" OAL (2 req'd)	•	•	
4	22756S	801CRD 10" Standard Air Tube/Combustion Head Assy	•		
	22780S	801CRD 12" Standard Air Tube/Combustion Head Assy	•		
	22814S	801CRD 15" Standard Air Tube/Combustion Head Assy	•		
	45328KIT	18-1/2" OAL Air Tube/Combustion Head Assy & Flame Funnel Assy		•	
	45344KIT	18-1/2" OAL Air Tube/Combustion Head Assy & Flame Funnel Assy used with UV and Infra-red scanners		•	
	45393KIT	15-3/8" OAL Air Tube/Combustion Head Assy & Flame Funnel Assy	•		
5	45443KIT	15-3/8" OAL Air Tube/Combustion Head Assy & Flame Funnel Assy used with UV and Infra-red scanners			•
	41000S	110V Ignitor	•	•	•
6	41000S0LC	110V Ignitor on Baseplate	•	•	•
	41004S	Instant Oil Valve 3Z20078TSCV 3 Way	•		
	40600S	Instant Oil Valve 3Z20027TSCV 3 Way (2 required)	•		
	61150KITS	Oil Valve Fitting Kit(44560, 29678, 44461 (.047), 44545, 29694)	•	•	•
7	98042S	Fuel Unit, 2 Stage, B27A-8260	•		
	98126S	Fuel Unit, 2 Stage, B27A-8260, NYC	•		
	23507S	Fuel Unit, 2 Stage, J4PB-B1000G	•	•	•
	74484S	Fuel Unit, 2 Stage, NYC, J4PB-B1000G	•		
	74492S	Fuel Unit, 2 Stage, NYC, J4PB-B1000G	•	•	•
8	34785KITS	Oil line kit (incl. all oil lines)	•	•	•
	98229S	Coupling: 1/2" ID x 5/16" ID x 6-1/2" L, B Pump	•		
9	28779S	Coupling: 1/2" ID x 7/16" ID x 5-13/16" L, H or J Pump	•		
	58032S	10" Nominal 22-1/4" OAL Combustion Head Assy	•		
10	58081S	12" Nominal 24-1/4" OAL Combustion Head Assy	•		
	58123S	15" Nominal 27-1/4" OAL Combustion Head Assy	•		
	51961S	Standard 27-1/2" OAL Combustion Head Assy		•	
	52019S	Standard 27-1/2" OAL Combustion Head Assy		•	
11	28546S	Blower Wheel/Fan: 7" OD x 5 W, 5/8" Bore	•	•	•
	28556S	Blower Wheel/Fan: 7-5/8" OD x 5" W, 5/8" Bore	•	•	•

Parts List

ITEM	PART NO.	DESCRIPTION	801CRD	1050FFD	1150FFD
12	23283S	5" Universal Flange & Gasket	•		
	23218S	5" Pressure Flange & Gasket	•	•	
	59576S	5" Pressure Flange & Gasket – For use with Ultra Violet Control	•		
	59550S	Flange/Gasket for use with Ultra Violet Control		•	
	59592S	Flange/Gasket for Forced Draft		•	
	59618S	Flange/Gasket for use with Ultra Violet Control		•	•
13	23382S	Pedestal w/ hardware	•	•	•
14	14407S0ES	CAD Cell Kit	•		
	56812S	Retention Ring Assy 801CRD	•		
15	55210S	Retention Ring Assy 1050FFD		•	
	55269S	Retention Ring Assy 1150FFD		•	•
	70200S	Universal Primary W/ Display 70200*	•		
16	4020002S	Model 40200 Primary 30/15/30*	•	•	
	5020002S	Model 50200 Primary 30/15/30*	•	•	
	6020002S	Model 60200 Primary 15/15/15*	•	•	
	99822S	EMX43UV – Control Set Honeywell RM7840L	•	•	•
	99822CS	EMX43UVSC – Control Set Honeywell RM7840L	•	•	•
*Cannot use on burners firing 20GPH or greater					
17	35808S	Damper Motor – M436A	•	•	•
18	35824S	Motor Contactor 20 AMP R4242B1005	•		
	35840S	Motor Contactor 30 AMP R4243B1004	•		
19	22889S	Damper Motor Linkage Kit	•	•	•
	48504S	Air Shutter Assembly**	•	•	•
**Includes 4840SS & 5025S and all components to adjust air					
21	35881S	Air Flow Switch Kit		•	•
22	81150KITS	Hardware Kit (Includes 54916, 47167, 29728, 29892)	•	•	•
	97203S	Auxiliary Switch 0607B-1067		•	•
24	61820S	Spacer 4" Long		•	
	61838S	Spacer 5" Long		•	
	61846S	Spacer 6" Long		•	
	61853S	Spacer 7" Long		•	
	61861S	Spacer 8" Long		•	
	61879S	Spacer 4" Long		•	•
	61887S	Spacer 5" Long		•	•
	61895S	Spacer 6" Long		•	•
25	61903S	Spacer 7" Long		•	•
	61911S	Spacer 8" Long		•	•
25	46771S	Motor Mounting Ring	•	•	•
26	59881S	Electrode bracket with screws	•	•	•
27	33910S	Toggle Switch (Not shown)	•	•	•
28	34207S	Shaft Extension only		•	•



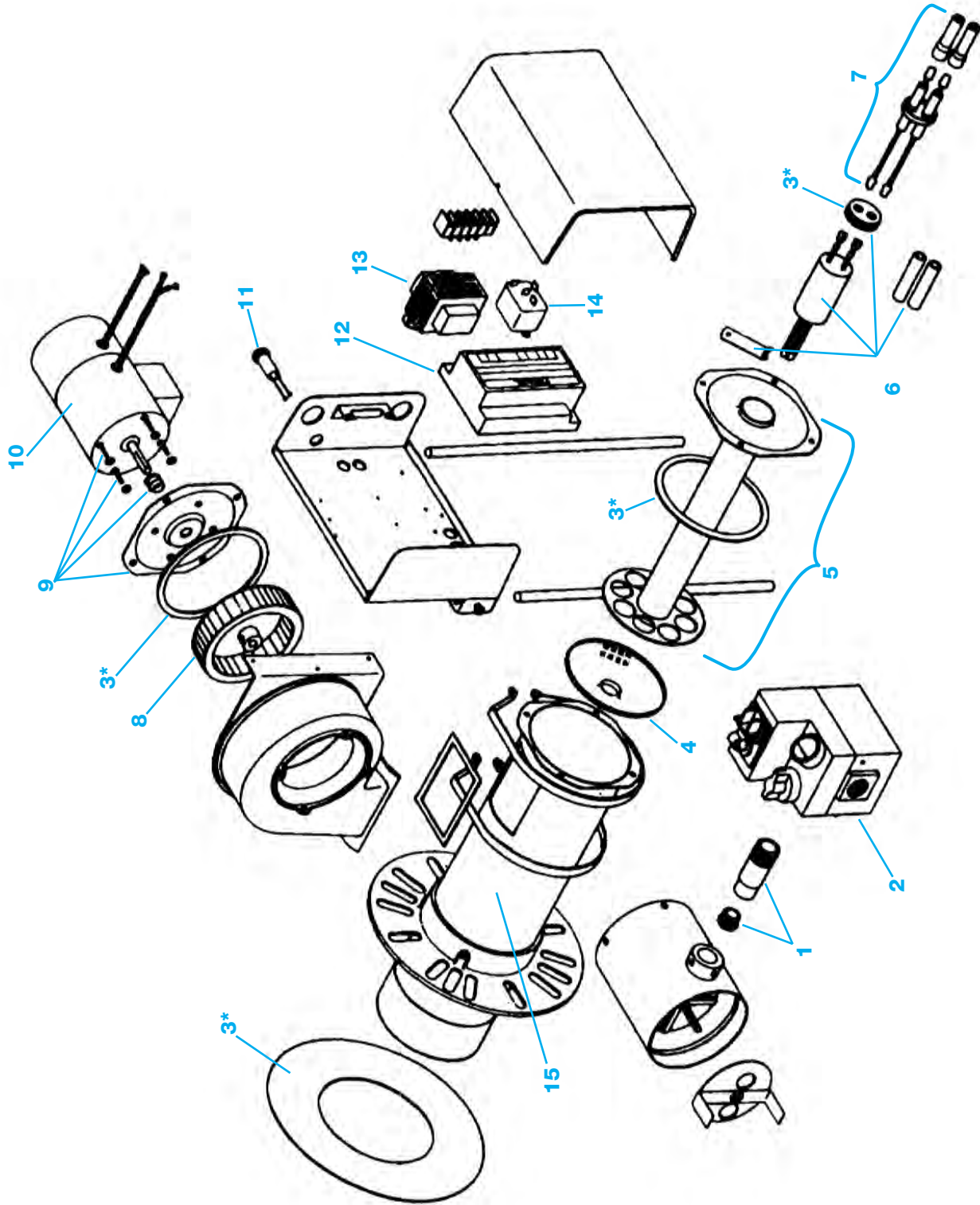
56 EZGas Pro Burners

Note: Parts may not be exactly as shown in diagram.

ITEM	PART NO.	DESCRIPTION
1	99392AKITS	10" Air Tube Kit, A Diffuser w/ Field Drilled Orifice
	99392BKITS	10" Air Tube Kit, B Diffuser w/ Field Drilled Orifice
	99392CKITS	10" Air Tube Kit, 9-Slot Diffuser w/ Field Drilled Orifice
	99392DKITS	12" Air Tube Kit, A Diffuser w/ Field Drilled Orifice
	99392EKITS	12" Air Tube Kit, B Diffuser w/ Field Drilled Orifice
	99392FKITS	12" Air Tube Kit, 9-Slot Diffuser w/ Field Drilled Orifice
	99392GKITS	14" Air Tube Kit, A Diffuser w/ Field Drilled Orifice
	99392HKITS	14" Air Tube Kit, B Diffuser w/ Field Drilled Orifice
	99392NKITS	14" Air Tube Kit, 9-Slot Diffuser w/ Field Drilled Orifice
	99392SKITS	16" Air Tube Kit, A Diffuser w/ Field Drilled Orifice
2	50833AS	Flange/Gasket Kit
	50821AS	Flange Gasket Single Piece
3	50821S	Flange Gasket 10 pack
	GSKTKIT1	EZ Gasket Seal Kit
4	50808KITS	Full Firing Rate Kit – A, B & 9S Diffuser + 2 Airbands
5	98522S	Air Flow Switch 120 Volt
	50806S	Air Flow Switch 24 Volt
6	98554S	Blower sensing lines kit – Only used on EZGAS 120V version (not shown)
7	50824S	Gas valve 24 volt
	98523S	Gas valve 120 volt
8	50819AS	Gas valve power harness (EZGas Pro only)
9	9938440XX	Field drilled orifice

ITEM	PART NO.	DESCRIPTION
10	77933S	Blower wheel, 5-1/16" OD x 2" W, 1/2" BORE
11	98629S	Motor PSC 1/15HP
	98022S	Motor PSC 1/6HP (Can be used on gas same as oil)
12	98282AS	Hardware kit for EZGAS/EZGAS PRO
13	98498S	Hinged cover plate for Ignitor
14	4180002S1	Ignitor for EZGAS & EZGAS PRO
15	602002FR363S	Primary Control Microprocessor Flame Rod
16	98572AS	Ignitor electrode/flame rod assembly 10"
	98572BS	Ignitor electrode/flame rod assembly 12"
	98572CS	Ignitor electrode/flame rod assembly 14"
	98572DS	Ignitor electrode/flame rod assembly 16"
	98572ES	Ignitor electrode/flame rod assembly 18"
17	50822S	Transformer EZGAS PRO
18	GPROTOTES	EZGAS PRO Burner Service kit Tote for PRO burners (not shown)
	EZGASTOTES	EZGAS Burner Service kit Tote for 120V burners (not shown)
19	99017S	Test Kit – Includes FR Test Jack & Spark Tester (not shown)
20	50873AS	Electrode/ Flame Rod for 10" EZGAS OAL=11¼"
	50873BS	Electrode/ Flame Rod for 12" EZGAS OAL=12¼"
	50873CS	Electrode/ Flame Rod for 14" EZGAS OAL=14¼"
	50873DS	Electrode/ Flame Rod for 16" EZGAS
21	50873ES	Electrode/ Flame Rod for 18" EZGAS
	EZGFRWIRES	EZGas Flame Rod Wire (not shown)

NOTE: EZGas Service Kit Totes – see page 74

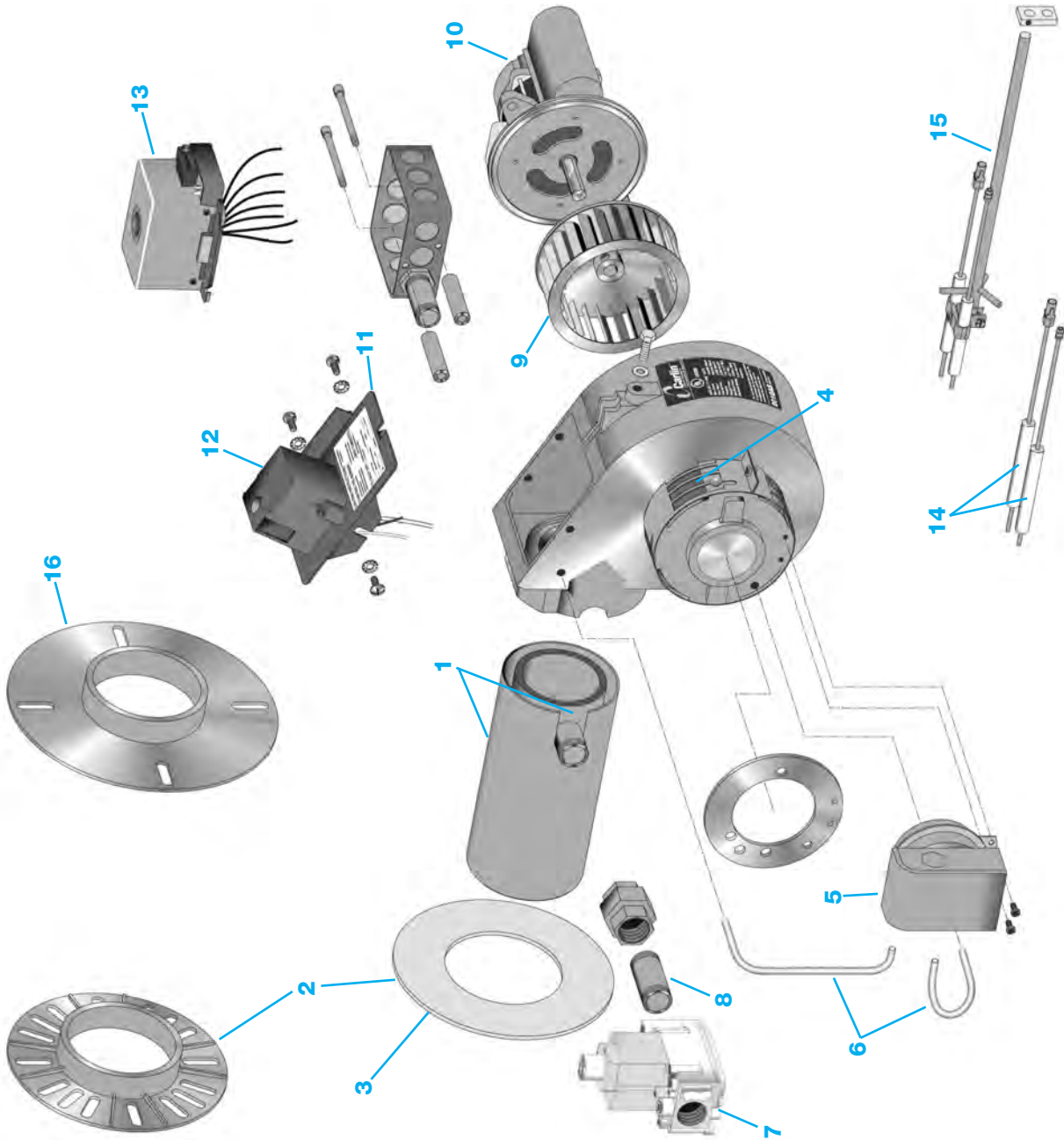


Note: Parts may not be exactly as shown in diagram.

ITEM	PART NO.	DESCRIPTION
1	61663S	Orifice Kit (Includes 60582 and 61663)
2	41053S	Gas Valve 24 Volt
3	40360S	Gasket kit (Includes 40287, 40360 & 2-40402)
4	57117S	Flameholder
5	97875S	Ignition Tube Assembly with Gasket 6"
	97876S	Ignition Tube Assembly with Gasket 9"
	97877S	Ignition Tube Assembly with Gasket 12"
If entire tube needs replacing, entire burner must be replaced.		
6	87197S	Hot Surface Ignitor Assembly
7	46631S	Rear Ignitor assembly with boots 6"
	46656S	Rear Ignitor assembly with boots 9"
	46615S	Rear Ignitor assembly with boots 12"

Parts List

ITEM	PART NO.	DESCRIPTION
8	28613S	Blower Wheel, 4" OD x 1" W, 5/16" BORE
9	51060S	Motor Mounting Ring with bushing
10	27789S	Burner Motor 1/50HP
11	33936S	Indicator Light
12	99564KITS	Control Honeywell S89C
13	24315S	Transformer 40 VA rating 115-volt Primary
14	35782S	Motor Relay – 24V coil, SPST
15	If this item needs to be replaced the entire burner needs to be replaced.	



60 201 Gas Burners

Note: Parts may not be exactly as shown in diagram.

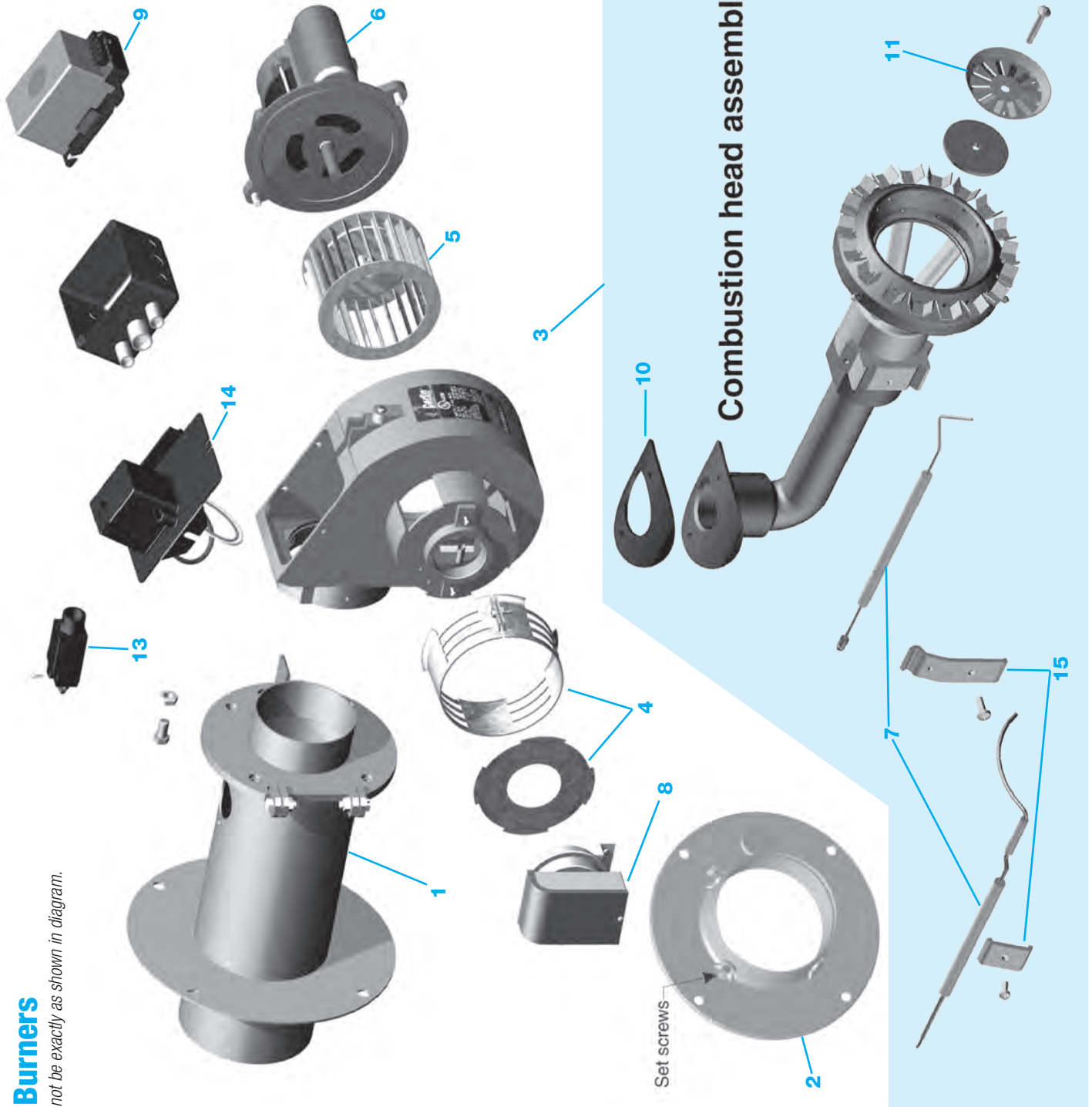
ITEM	PART NO.	DESCRIPTION
1	98514AAKITS	8" Air Tube w/ A Diffuser & Gas Can
	98514ABKITS	8" Air Tube w/ B Diffuser & Gas Can
	98514BAKITS	10" Air Tube w/ A Diffuser & Gas Can
	98514BBKITS	10" Air Tube w/ B Diffuser & Gas Can
	98514CAKITS	12" Air Tube w/ A Diffuser & Gas Can
	98514CBKITS	12" Air Tube w/ B Diffuser & Gas Can
	98514DAKITS	14" Air Tube w/ A Diffuser & Gas Can
	98514DBKITS	14" Air Tube w/ B Diffuser & Gas Can
	98514EAKITS	16" Air Tube w/ A Diffuser & Gas Can
98514EBKITS	16" Air Tube w/ B Diffuser & Gas Can	
2	59642BLUS	Flange/Gasket kit for 201GAS
3	40287S	Gasket for Flange only
4	98542S	Air Band 2 Slot for 201 Gas and 202 Gas
	47001S	Air Band 4 Slot for 201 Gas, 202 Gas
5	98521KITS	Airflow switch and mounting plate assembly for 201 Gas
6	98557S	Blower sensing line kit inlet and outlet
7	98523S	Gas valve VR4305M-4540 for EZGAS and 201 Gas
8	9938440XX	Field drilled orifice for EZGASPRO, EZGAS & 201GAS
9	28563S	Blower wheel (used on 201/301 Oil and Gas), 5-3/4" OD x 4" W, 1/2" BORE

ITEM	PART NO.	DESCRIPTION
10	98611S	Motor 1/6HP 120V 60Hz, 48N Frame
	98630S	Motor 1/4HP 120V 60Hz, 48N Frame (used on oil 201/301)
11	98534S	Hinged cover plate for Ignitor
12	4180002S2	Ignitor for 201GAS
13	6020002FR363S	Primary Control Microprocessor Flame Rod
14	98433AS	Ignitor electrode/flame rod 8"
	98433BS	Ignitor electrode/flame rod 10"
	98433CS	Ignitor electrode/flame rod 12"
	98433DS	Ignitor electrode/flame rod 14"
	98433ES	Ignitor electrode/flame rod 16"
15	98540AS	Ignitor electrode/flame rod assembly 8"
	98540BS	Ignitor electrode/flame rod assembly 10"
	98540CS	Ignitor electrode/flame rod assembly 12"
	98540DS	Ignitor electrode/flame rod assembly 14"
	98540ES	Ignitor electrode/flame rod assembly 16"
16	59444BLUS	Optional forced draft flange
17	20GFRWIRES	201 GAS Flame Rod Wire (not shown)

Parts List

62 301 Gas Burners

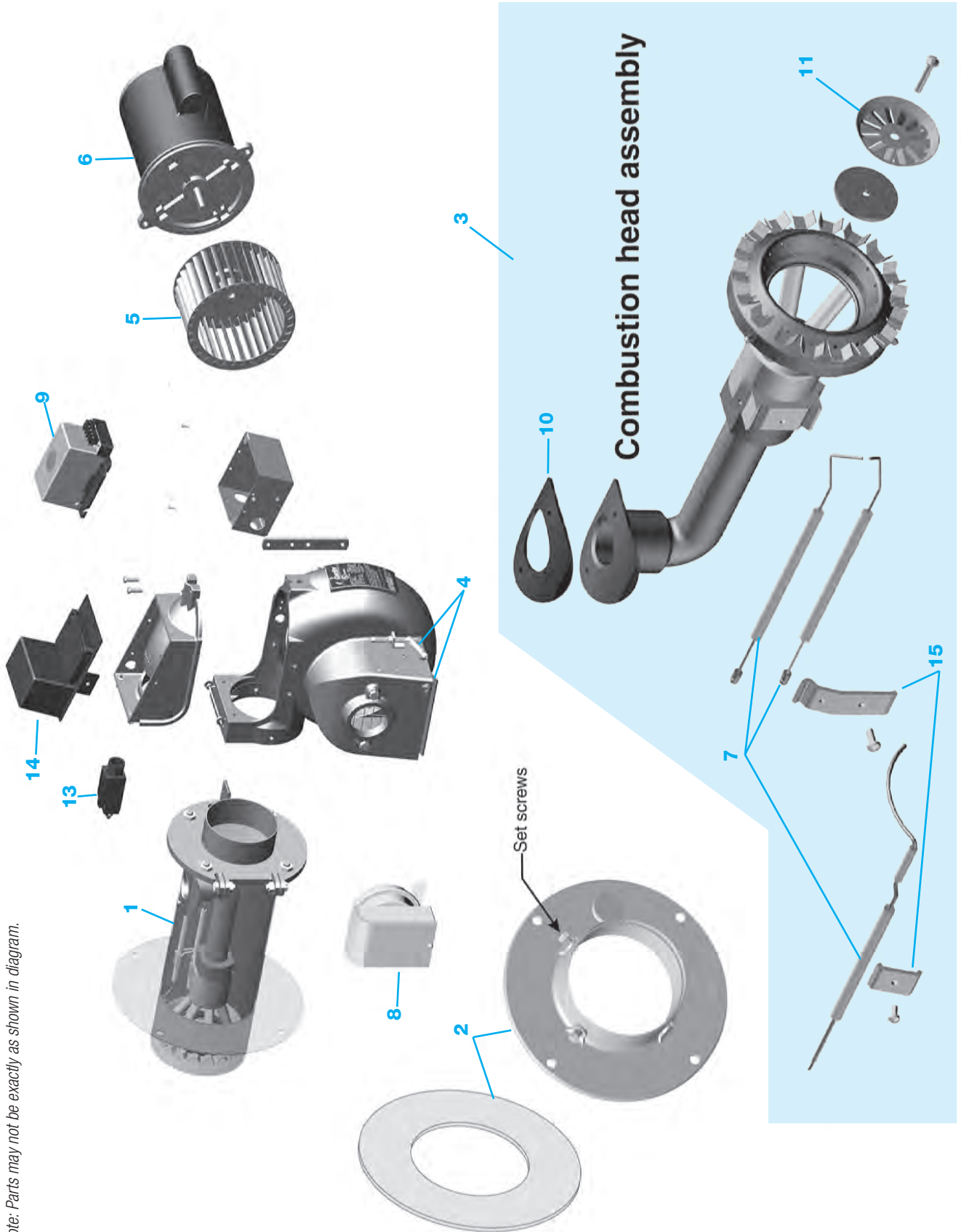
Note: Parts may not be exactly as shown in diagram.



ITEM	PART NO.	DESCRIPTION
1	99259S	301/601 Gas Airtube 14" B, 1" inlet for rates 401,000 to 700,000 BTU's.
	99189S	301/601 Gas Airtube 14" C, 1" inlet for rates 550,000 to 1,100,000 BTU's.
2	99255KITS	Flange/Gasket kit for 301GAS/601GAS
3	99164S	Combustion Head Assembly "B" Head
	99277S	Combustion Head Assembly "C" Head
4	99254S	Airband/Air Shutter Kit
5	28563S	Blower wheel/ fan, 5-3/4" OD x 4" W, 1/2" BORE
6	98611S	Motor 1/6HP, 120V, 60HZ, 48N Frame
7	99158S	Ignition Electrode/Flame Rod 301GAS

ITEM	PART NO.	DESCRIPTION
8	98521KITS	Airflow switch and mounting plate assembly for 201/301/601GAS
9	60200FR943S	Primary Control Microprocessor Flame Rod
10	99260S	Gasket Kit (includes 40253, 99260, 99430)
11	99162S	Retention Ring Assy
12	30GFRWIRES	Flame Rod Wire 24" for 301/601Gas (not shown)
13	99261KITS	Door Interlock Switch and Mounting Screws
14	4180002S	Ignitor for 301GAS
15	99153KITS	Electrode/Flame Rod Bracket assembly

Parts List

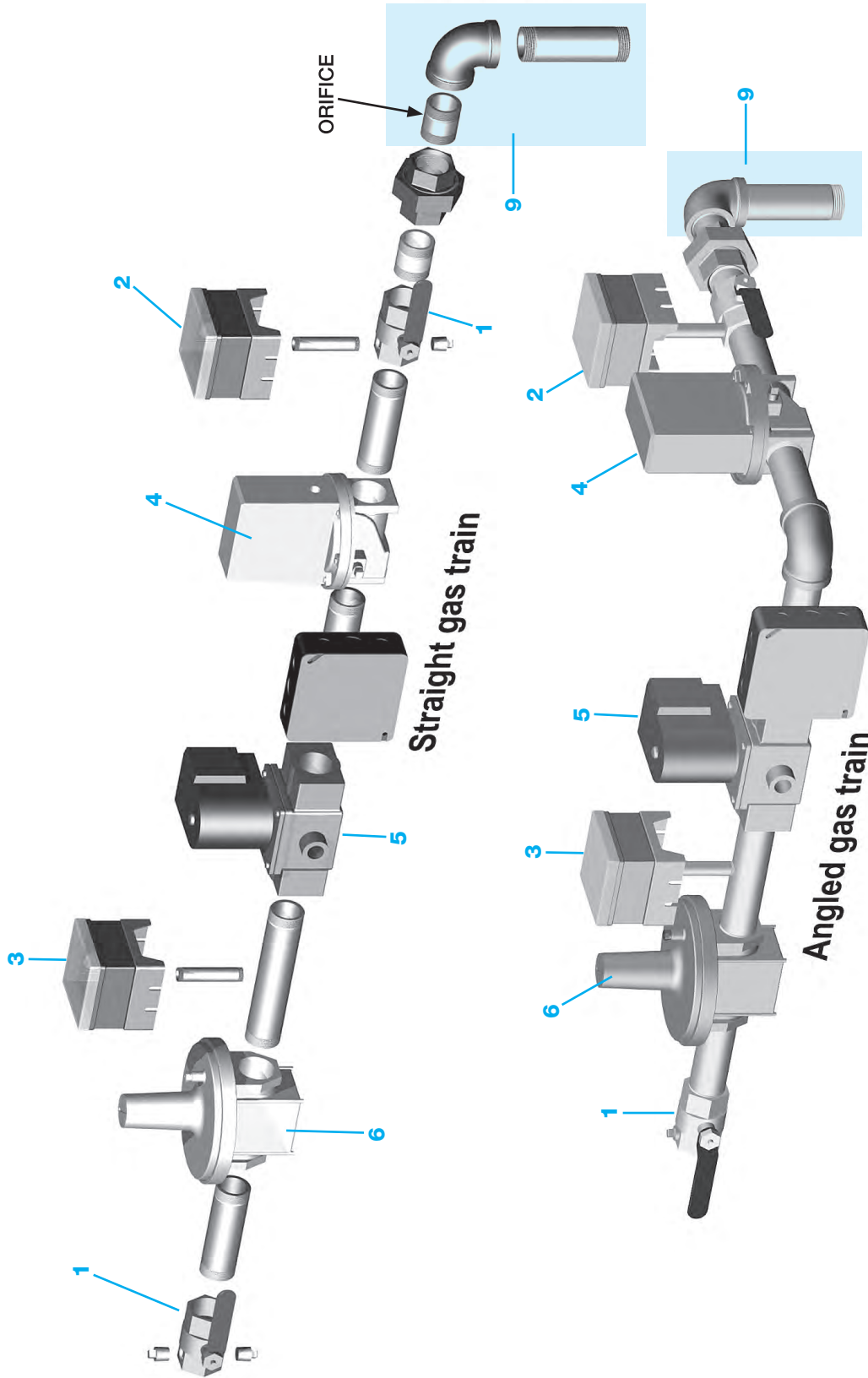


601 Gas Burners

Note: Parts may not be exactly as shown in diagram.

ITEM	PART NO.	DESCRIPTION
1	99259S	301/601 Gas Airtube 14" B, 1" inlet for rates 401,000 to 700,000 BTU'S.
	99189S	301/601 Gas Airtube 14" C, 1" inlet for rates 550,000 to 1,100,000 BTU'S.
	99507S	601 Gas Airtube 14" D, 1-1/4" INLET, 900,000 TO 1,500,000 BTU'S
2	99255KITS	Flange/Gasket kit for 301 GAS/601 GAS
3	99294S	11" Combustion Head Assembly
	99535S	12" Combustion Head Assembly
	99295S	21" Combustion Head Assembly
	99536S	22" Combustion Head Assembly
	99532S	31" Combustion Head Assembly
	99516S	32" Combustion Head Assembly
4	47407S	Air Shutter Kit
5	98857S	Blower wheel/fan, 6-1/2" OD x 3-3/4" W, 1/2" BORE
6	27706S	Motor 1/2HP 115/230V 60Hz, 1PH

ITEM	PART NO.	DESCRIPTION
7	99292S	Ignition Electrode/Flame Rod 601 GAS (Includes 99292, 99293, 99161)
8	98521KITS	Airflow switch and mounting plate assembly for 201/301/601 GAS
9	60200FR943S	Primary Control Microprocessor Flame Rod
10	99260S	Gasket Kit (Includes 40253, 99260, 99430)
11	99162S	Retention Ring Assy
12	30GFRWIRES	Flame Rod Wire 24" for 301/601 Gas (not shown)
	99477S	Ignition Wire 14-1/2" (not shown)
13	99261KITS	Door Interlock Switch and Mounting Screws
14	41000SOLC	Ignitor for 601 Gas w/Baseplate
15	99153KITS	Electrode/Flame Rod Bracket assembly (Includes 99153 & 99155)

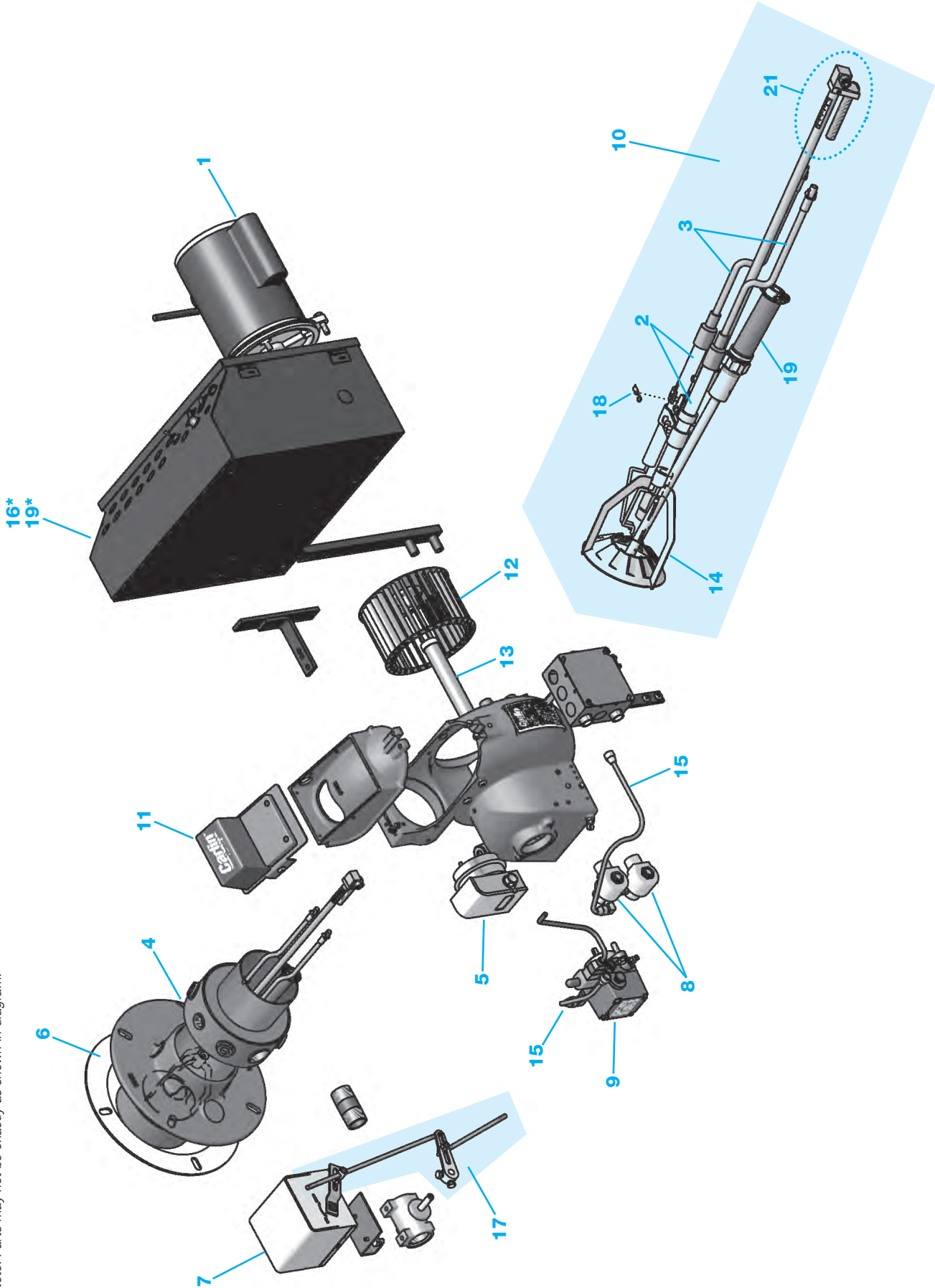


66 301 / 601Gas Train

Note: Parts may not be exactly as shown in diagram.

ITEM	PART NO.	DESCRIPTION	301 GAS	601 GAS
1	99225S	Manual Gas Shutoff 1" NPT	•	•
	99245S	Manual Gas Shutoff 1-1/4" NPT	•	•
	99246S	Manual Gas Shutoff 1-1/2" NPT	•	•
	99926S	Manual Gas Shutoff 2" NPT	•	•
2	99235S	High gas pressure switch	•	•
3	99234S	Low Gas pressure switch	•	•
	99227S	Primary Gas Valve, Honeywell 48A 2169 1" NPT w/ bleed restrictor	•	•
	99434S	Primary Gas Valve, Honeywell 48A 2177 1-1/4" NPT w/ bleed restrictor	•	•
	99343AS	Primary Gas Valve, Honeywell V48A 2185 1-1/2" NPT w/ bleed restrictor	•	•
	99434BS	Primary Gas Valve, Honeywell 48A 2243 2" NPT w/ bleed restrictor	•	•
4	99796AS	Primary Gas Valve Honeywell V4944N-1011 1" NPT MASS CODE Natural Gas	•	•
	99796BS	Primary Gas Valve Honeywell V4944N-1029 1-1/4" NPT MASS CODE Natural Gas	•	•
	99796ES	Primary Gas Valve Honeywell V4944N-1037 1-1/2" NPT MASS CODE Natural Gas	•	•
	99796FS	Primary Gas Valve Honeywell V4944N-1045 2" NPT MASS CODE Natural Gas	•	•
	99796CS	Primary Gas Valve Honeywell V4944L-1016 1" NPT MASS CODE Propane Gas	•	•
	99796DS	Primary Gas Valve Honeywell V4944L-1024 1-1/4" NPT MASS CODE Propane Gas	•	•

ITEM	PART NO.	DESCRIPTION	301 GAS	601 GAS
5	99229S	Secondary Gas Valve Honeywell V4295A 1031 - 1" NPT	•	•
	99435S	Secondary Gas Valve Honeywell V4295A 1049 - 1-1/4" NPT	•	•
	99435AS	Secondary Gas Valve Honeywell V4295A 1056 - 1-1/2" NPT	•	•
	99435BS	Secondary Gas Valve Honeywell V4295A 1064 - 2" NPT	•	•
6	99233S	Gas Pressure Regulator 1" NPT Maxitrol RV-61	•	•
	99432S	Gas Pressure Regulator 1-1/4" NPT Maxitrol RV-81	•	•
	99432AS	Gas Pressure Regulator 1-1/2" NPT Maxitrol RV-81	•	•
	99432BS	Gas Pressure Regulator 2" NPT Maxitrol RV-91	•	•
7	99957S	Time Delay relay 8-second (Mounted to gas train junction box)	•	•
8	99415S	Spring Kit (Includes 99759 & 99415)	•	•
9	9925020XX	Gas Orifice pilot hole for field drill 7/32" - 1" NPT	•	•
	9947620XX	Gas Orifice pilot hole for field drill 9/32" - 1-1/4" NPT	•	•
	99250KIT1S	Orifice 7/32 & 3" Elbow kit	•	•
	99476KIT1S	Orifice 9/32 & 3" Elbow Kit	•	•



68 702G & 702G/O Burners

Note: Parts may not be exactly as shown in diagram.

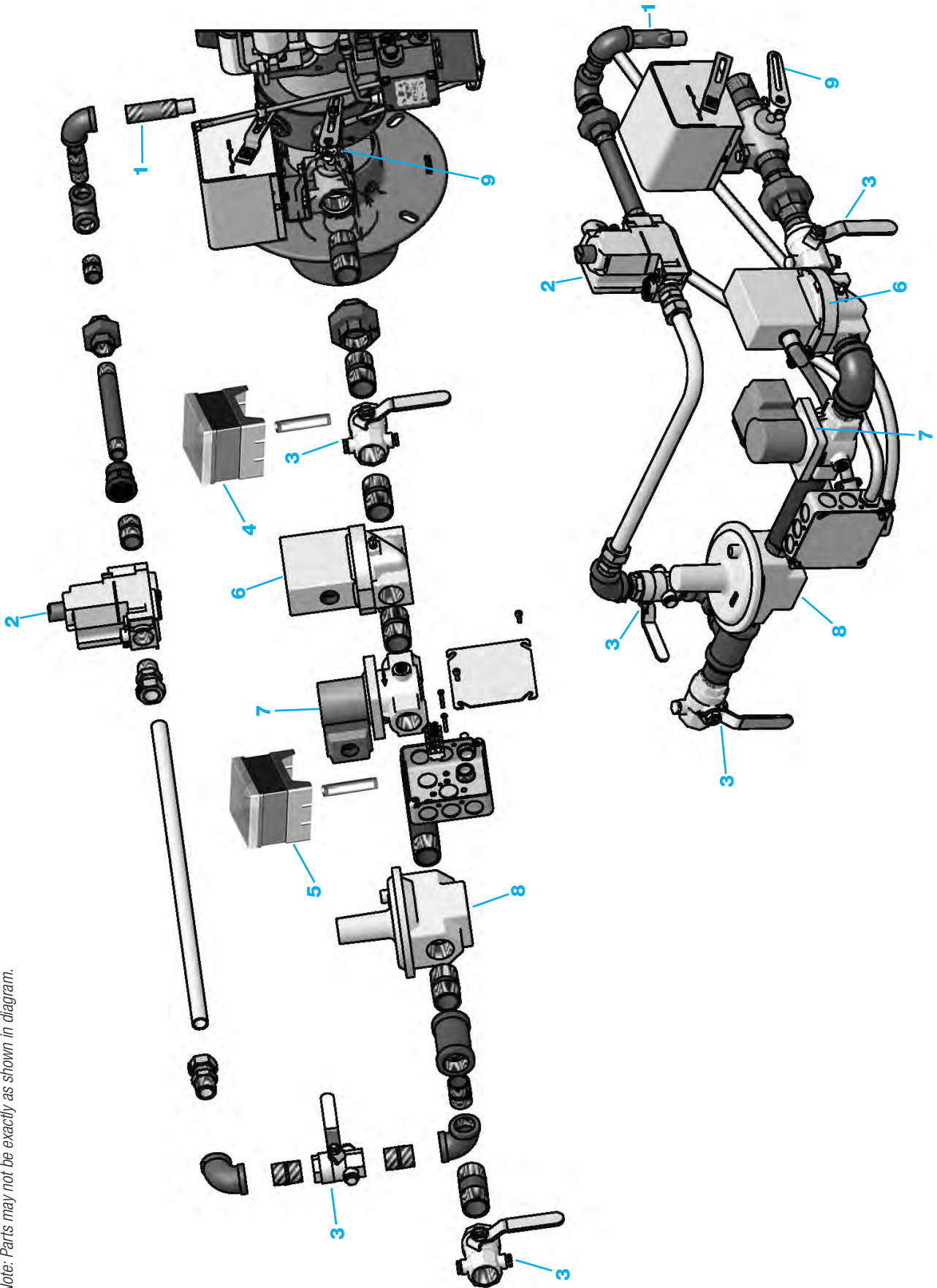
ITEM	PART NO.	DESCRIPTION	702Gas	702G/O
1	27706S	Motor: 1/2 hp, 115/230V, 60HZ, 1 Phase, 3450 rpm	•	•
2	98507S	Electrode Set of 2, Approx. 9-1/4" OAL	•	•
3	55772S	Ignition wire – One wire in Service Pack (2 Req'd)	•	•
4	99541S	14" Tube with pressurized flange 1" main gas inlet; 1/2" pilot inlet	•	•
5	98522S	Air Flow Switch 120 Volt	•	•
6	40246S	Gasket	•	•
7	35808S	Damper Motor – M436A	•	•
8	40857S	Instant Oil Valve 32Z0071TSCV	•	•
	41004S	Instant Oil Valve 32Z0078TSCV 3 Way	•	•
	61150KITS	Oil Valve Kit (44560, 29678, 44461, 29728, 44545)	•	•
9	23556S	Suntec, 2 Stage, B2TA-8851	•	•
	74476S	Suntec, 2 Stage, NYC, B2TA-8851 100/300PSI	•	•
10	57810S	14" Combustion Head Assembly (includes thermal fuse and electrode wire)	•	•
11	41000S	Ignitor	•	•
	41000S0LC	Ignitor on Baseplate	•	•
12	98857KITS	Blower Wheel, Coupling, Augmentor, 6-1/2" OD x 3-3/4" W, 1/2" Bore	•	•

ITEM	PART NO.	DESCRIPTION	702Gas	702G/O
13	98856S	Coupling 1/2" ID x 5/16" ID x 6-13/16" L, B Pump	•	•
14	56747S	Retention Ring Assy 702CRD	•	•
15	75291S	Oil line kit (75358S, 75291S)	•	•
16	35824S	Motor Contactor 20 AMP R4242B1005 (not shown)	•	•
17	22889S	Damper Motor Linkage Kit	•	•
18	34215S	Thermal fuse	•	•
19	35311S	C7027A1023 UV Scanner	•	•
	97656S	Q7800B1003 Sub Base	•	•
	99766S	RM7897C1000 Programming Control	•	•
	97662S	R7849A1023 Amplifier	•	•
	97716S	ST7800A1054 Timing Card	•	•
	EMX15UVS	EMX15UV KIT includes all of the above	•	•
20	23382REDS	Pedestal (not shown)	•	•
	23382BLU1S	Pedestal (not shown)	•	•
21	6702KITS	Hardware Kit (Yoke 54916, C/H adj screw 47167, oil line elbow 29694)	•	•

Parts List

70 702G & 702G/O Train

Note: Parts may not be exactly as shown in diagram.



ITEM	PART NO.	DESCRIPTION	702Gas	702G/O
1	73007S	Orifice nipple assembly Natural Gas	•	•
	73007AS	Orifice nipple assembly Propane Gas	•	•
2	98523S	Pilot Gas valve 120 volt	•	•
3	99455S	Manual Gas Shutoff 3/4" NPT	•	•
	99225S	Manual Gas Shutoff 1" NPT	•	•
	99245S	Manual Gas Shutoff 1-1/4" NPT	•	•
	99246S	Manual Gas Shutoff 1-1/2" NPT	•	•
	99926S	Manual Gas Shutoff 2" NPT	•	•
4	99235S	High gas pressure switch	•	•
5	99234S	Low Gas pressure switch	•	•
6	99227S	Primary Gas Valve, Honeywell 48A 2169 1" NPT w/ bleed restrictor	•	•
	99434S	Primary Gas Valve, Honeywell 48A 2177 1-1/4" NPT w/ bleed restrictor	•	•
	99434AS	Primary Gas Valve, Honeywell V48A 2185 1-1/2" NPT w/ bleed restrictor	•	•
	99434BS	Primary Gas Valve, Honeywell 48A 2243 2" NPT w/ bleed restrictor		

ITEM	PART NO.	DESCRIPTION	702Gas	702G/O
7	99229S	Secondary Gas Valve Honeywell V4295A 1031 – 1" NPT	•	•
	99435S	Secondary Gas Valve Honeywell V4295A 1049 – 1-1/4" NPT	•	•
	99435AS	Secondary Gas Valve Honeywell V4295A 1056 – 1-1/2" NPT	•	•
	99435BS	Secondary Gas Valve Honeywell V4295A 1064 – 2" NPT	•	•
8	99233S	Gas Pressure Regulator 1" NPT Maxitrol RV-61	•	•
	99432S	Gas Pressure Regulator 1-1/4" NPT Maxitrol RV-81	•	•
	99432AS	Gas Pressure Regulator 1-1/2" NPT Maxitrol RV-81	•	•
	99432BS	Gas Pressure Regulator 2" NPT Maxitrol RV-91	•	•
9	99533S	Butterfly valve and crank arm – Eclipse 48V-A, 1" NPT	•	•

Part No.	Description
----------	-------------

EZGAS PRO BURNER SERVICE KIT TOTE

Use for EZGAS PRO Burners

GPROTOTES*	EZGas Pro Burner Service Kit Tote
------------	-----------------------------------

*For EZGAS PRO Burners manufactured after 11/2013

INCLUDES

1. EZGAS Pro Burner Instruction Manual
2. 13" Flame Rod WireEZGFRWIREs
3. Carlin Ignitor4180002S1
4. Carlin 60200FR Control.....6020002FR363S
5. 10" Electrode/Flame Rod50873AS
6. 12" Electrode/Flame Rod50873BS
7. 14" Electrode/Flame Rod50873CS
8. Air Flow Switch 24V50806S
9. Gas Valve 24V50824S
10. Flame Signal Test Jack & Ignitor Spark Tester99017S
11. Orifice Nipple9938440XX
12. Full Firing Rate Kit A,B & 9S Diffuser & Airbands ...50808KITS
13. Transformer 24V50822S



EZGAS BURNER SERVICE KIT TOTE

Use for EZGAS Burners

EZGASTOTES*	EZ-Gas Burner Service Kit Tote
-------------	--------------------------------

*For EZGAS Burners manufactured after 11/2013

INCLUDES

1. EZ-Gas Burner Instruction Manual
2. 13" Flame Rod WireEZGFRWIREs
3. Carlin Ignitor4180002S1
4. Carlin 60200FR Control.....6020002FR363S
5. 10" Electrode/Flame Rod50873AS
6. 12" Electrode/Flame Rod50873BS
7. 14" Electrode/Flame Rod50873CS
8. Air Flow Switch 120V98522S
9. Gas Valve98523S
10. Flame Signal Test Jack & Ignitor Spark Tester99017S
11. Orifice Nipple9938440XX



126 Bailey Road, North Haven, CT 06473

Tel: 203-680-9401 Fax 203-680-9403

www.carlincombustion.com