

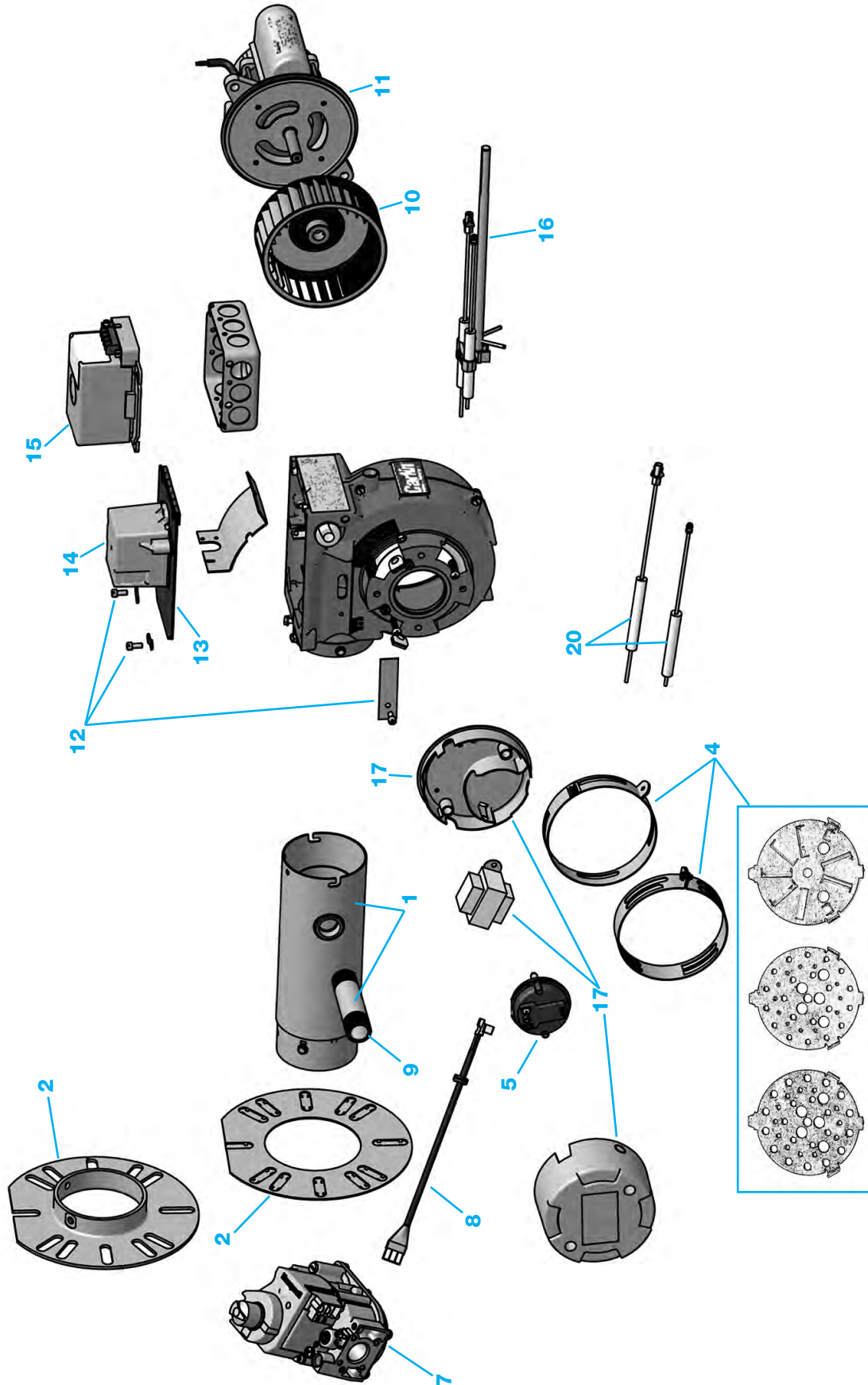
54 REPLACEMENT PARTS 801, 1050 & 1150 Oil Burners

Note: Parts may not be exactly as shown in diagram.

*4 includes selected air tube and combustion head assembly
 †6 includes multiple parts **22 includes multiple parts

ITEM	PART NO.	DESCRIPTION	801CRD	1050FFD	1150FFD
1	27730S	Motor: 3/4HP 115/208-230V 60HZ, 1 Phase, 3450 RPM	•		
	27748S	Motor: 3/4HP 115/208-230V 60HZ, 3 Phase, 3450 RPM	•		
	27516S	Motor: 1HP 115/208-230V 60HZ, 1 Phase, 3450 RPM	•	•	
	27532S	Motor: 1 HP 115/208-230V 60HZ, 3 Phase, 3450 RPM	•	•	
	27557S	Motor: 1-1/2HP 115/208-230V 60HZ, 1 Phase, 3450 RPM	•		•
	27565S	Motor: 1-1/2HP 115/208-230V 60HZ, 3 Phase, 3450 RPM	•		•
2	98507S	Electrode Set of 2, Approx. 9-1/4" OAL	•	•	•
3	56069S	Ignition Wire: 9-1/4" OAL, for Nominal 10" Air Tube (2 req'd)	•		
	56127S	Ignition Wire: 10-1/8" OAL for Nominal 12" Air Tube (2 req'd)	•		
	56135S	Ignition Wire: 11-5/8" OAL for Nominal 15" Air Tube (2 req'd)	•		
	55772S	Ignition Wire: 12-1/4" OAL (2 req'd)	•		
	22756S	801CRD 10" Standard Air Tube/Combustion Head Assy	•		
4	22780S	801CRD 12" Standard Air Tube/Combustion Head Assy	•		
	22814S	801CRD 15" Standard Air Tube/Combustion Head Assy	•		
	45328KIT	18-1/2" OAL Air Tube/Combustion Head Assy & Flame Funnel Assy		•	
	45344KIT	18-1/2" OAL Air Tube/Combustion Head Assy & Flame Funnel Assy used with UV and Infra-red scanners		•	
	45393KIT	15-3/8" OAL Air Tube/Combustion Head Assy & Flame Funnel Assy	•		
	45443KIT	15-3/8" OAL Air Tube/Combustion Head Assy & Flame Funnel Assy used with UV and Infra-red scanners	•		
5	41000S	110V Ignitor	•	•	•
	41000SOLC	110V Ignitor on Baseplate	•	•	•
6	41004S	Instant Oil Valve 3220078TSCV 3 Way	•		
	40600S	Instant Oil Valve 3220027TSCV 3 Way	•	•	
	61150KITS	Oil Valve Fitting Kit (44560, 29678, 44461 (.047), 44545, 29694)	•	•	•
7	98042S	Fuel Unit, 2 Stage, B2TA-8260	•		
	98126S	Fuel Unit, 2 Stage, B2TA-8260, NYC	•		
	23507S	Fuel Unit, 2 Stage, J4PB-B1000G	•	•	•
	74484S	Fuel Unit, 2 Stage, NYC, J4PB-B1000G	•		
	74492S	Fuel Unit, 2 Stage, NYC, J4PB-B1000G	•	•	•
8	34785KITS	Oil line kit (incl. all oil lines)	•	•	•
9	98229S	Coupling: 1/2" ID x 5/16" ID x 6-1/2" L, B Pump	•		
	28779S	Coupling: 1/2" ID x 7/16" ID x 5-13/16" L, H or J Pump	•		
10	58032S	10" Nominal 22-1/4" OAL Combustion Head Assy	•		
	58081S	12" Nominal 24-1/4" OAL Combustion Head Assy	•		
	58123S	15" Nominal 27-1/4" OAL Combustion Head Assy	•		
	51961S	Standard 27-1/2" OAL Combustion Head Assy		•	
	52019S	Standard 27-1/2" OAL Combustion Head Assy		•	
11	28548S	Blower Wheel/Fan: 7" OD x 5 W, 5/8" Bore	•	•	•
	28555S	Blower Wheel/Fan: 7-5/8" OD x 5" W, 5/8" Bore	•		

ITEM	PART NO.	DESCRIPTION	801CRD	1050FFD	1150FFD
12	23283S	5" Universal Flange & Gasket	•	•	•
	23218S	5" Pressure Flange & Gasket	•		
	59576S	5" Pressure Flange & Gasket – For use with Ultra Violet Control	•		
	59550S	Flange/Gasket for use with Ultra Violet Control		•	
	59592S	Flange/Gasket for Forced Draft		•	•
	59618S	Flange/Gasket for use with Ultra Violet Control		•	•
13	23382S	Pedestal w/ hardware	•	•	•
14	14407S0ES	CAD Cell Kit	•		
15	56812S	Retention Ring Assy 801CRD	•		
	55210S	Retention Ring Assy 1050FFD		•	
	55269S	Retention Ring Assy 1150FFD		•	•
16	7020US	Universal Primary W/ Display 70200*	•	•	•
	4020002S	Model 40200 Primary 30/15/30*	•	•	•
	5020002S	Model 50200 Primary 30/15/30*	•	•	•
	6020002S	Model 60200 Primary 15/15/15*	•	•	•
	99822S	EMX43UV – Control Set Honeywell RM7840L	•	•	•
	99822CS	EMX43UVSC – Control Set Honeywell RM7840L	•	•	•
*Cannot use on burners firing 20GPH or greater					
17	35809S	Damper Motor – M436A	•	•	•
18	35824S	Motor Contactor 20 AMP R4242B1005	•		
	35840S	Motor Contactor 30 AMP R4243B1004	•		
19	22889S	Damper Motor Linkage Kit	•	•	•
20	48504S	Air Shutter Assembly**	•	•	•
**Includes 48405S & 50252S and all components to adjust air					
21	35881S	Air Flow Switch Kit	•	•	•
22	81150KITS	Hardware Kit (includes 54916,47167,29728,29892)	•	•	•
	97203S	Auxiliary Switch 0607B-1067		•	•
23	34207S	Shaft Extension only		•	•
24	61820S	Spacer 4" Long		•	
	61838S	Spacer 5" Long		•	
	61846S	Spacer 6" Long		•	
	61853S	Spacer 7" Long		•	
	61861S	Spacer 8" Long		•	
	61879S	Spacer 4" Long		•	
	61887S	Spacer 5" Long		•	
	61895S	Spacer 6" Long		•	
	61903S	Spacer 7" Long		•	
	61911S	Spacer 8" Long		•	
25	46771S	Motor Mounting Ring	•	•	•
26	59881S	Electrode bracket with screws	•	•	•
27	33910S	Toggle Switch (Not shown)	•	•	•



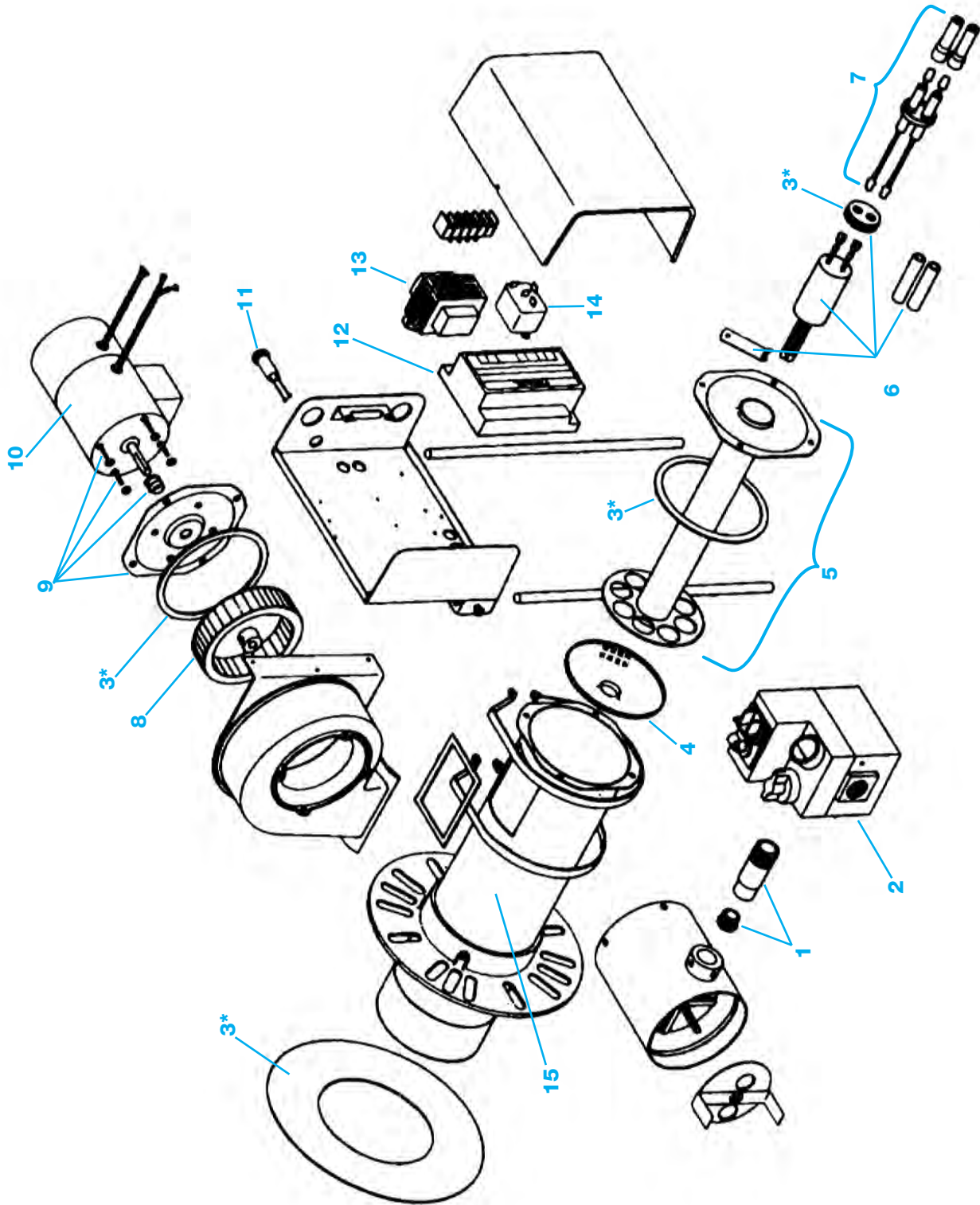
EZGas Pro Burners

Note: Parts may not be exactly as shown in diagram.

ITEM	PART NO.	DESCRIPTION
	99392AKITS	10" Air Tube Kit, A Diffuser w/ Field Drilled Orifice
	99392BKITS	10" Air Tube Kit, B Diffuser w/ Field Drilled Orifice
	99392CKITS	10" Air Tube Kit, 9-Slot Diffuser w/ Field Drilled Orifice
	99392DKITS	12" Air Tube Kit, A Diffuser w/ Field Drilled Orifice
	99392EKITS	12" Air Tube Kit, B Diffuser w/ Field Drilled Orifice
	99392FKITS	12" Air Tube Kit, 9-Slot Diffuser w/ Field Drilled Orifice
1	99392GKITS	14" Air Tube Kit, A Diffuser w/ Field Drilled Orifice
	99392HKITS	14" Air Tube Kit, B Diffuser w/ Field Drilled Orifice
	99392NKITS	14" Air Tube Kit, 9-Slot Diffuser w/ Field Drilled Orifice
	99392SKITS	16" Air Tube Kit, A Diffuser w/ Field Drilled Orifice
	99392PKITS	16" Air Tube Kit, B Diffuser w/ Field Drilled Orifice
	99392MKITS	18" Air Tube Kit, A Diffuser w/ Field Drilled Orifice
	99392KKITS	18" Air Tube Kit, B Diffuser w/ Field Drilled Orifice
2	50833AS	Flange/Gasket Kit
3	50821AS	Gasket Kit – Includes 50821 & GSKTKIT1 (not shown)
4	50808KITS	Full Firing Rate Kit – A, B & 9S Diffuser + 2 Airbands
5	98522S	Air Flow Switch 120 Volt
	50806S	Air Flow Switch 24 Volt
6	98554S	Blower sensing lines kit – Only used on EZGAS 120V version (not shown)
7	50824S	Gas valve 24 volt
	98523S	Gas valve 120 volt
8	50819AS	Gas valve power harness (EZGas Pro only)
9	9938440XX	Field drilled orifice

ITEM	PART NO.	DESCRIPTION
10	77933S	Blower wheel, 5-1/16" OD x 2" W, 1/2" BORE
11	98629S	Motor PSC 1/15HP
	98022S	Motor PSC 1/6HP (Can be used on gas same as oil)
12	98282AS	Hardware kit for EZGAS/EZGAS PRO
13	98498S	Hinged cover plate for Ignitor
14	4180002S1	Ignitor for EZGAS & EZGAS PRO
15	602002FR363S	Primary Control Microprocessor Flame Rod
	98572AS	Ignitor electrode/flame rod assembly 10"
	98572BS	Ignitor electrode/flame rod assembly 12"
16	98572CS	Ignitor electrode/flame rod assembly 14"
	98572DS	Ignitor electrode/flame rod assembly 16"
	98572ES	Ignitor electrode/flame rod assembly 18"
17	50822S	Transformer EZGAS PRO
18	GPROTOTES	EZGAS PRO Burner Service kit Tote for PRO burners (not shown)
	EZGASTOTES	EZGAS Burner Service kit Tote for 120V burners (not shown)
19	99017S	Test Kit – Includes FR Test Jack & Spark Tester (not shown)
	50873AS	Electrode/ Flame Rod for 10" EZGAS
	50873BS	Electrode/ Flame Rod for 12" EZGAS
20	50873CS	Electrode/ Flame Rod for 14" EZGAS
	50873DS	Electrode/ Flame Rod for 16" EZGAS
	50873ES	Electrode/ Flame Rod for 18" EZGAS
21	EZGFRWIRES	EZGas Flame Rod Wire (not shown)

NOTE: EZGas Service Kit Totes – see page 74



G3B Gas Burner

Note: Parts may not be exactly as shown in diagram.

*3 Includes multiple parts

ITEM	PART NO.	DESCRIPTION
8	28613S	Blower Wheel, 4" OD x 1" W, 5/16" BORE
9	51060S	Motor Mounting Ring with bushing
10	27789S	Burner Motor 1/50HP
11	33936S	Indicator Light
12	99564KITS	Control Honeywell S89C
13	24315S	Transformer 40 VA rating 115-volt Primary
14	35782S	Motor Relay – 24V coil, SPST
15	If this item needs to be replaced the entire burner needs to be replaced.	

ITEM	PART NO.	DESCRIPTION
1	61663S	Orifice Kit (Includes 60582 and 61663)
2	41053S	Gas Valve 24 Volt
3	40360S	Gasket kit (Includes 40287, 40360 & 2-40402)
4	57117S	Flameholder
5	97875S	Ignition Tube Assembly with Gasket 6"
	97876S	Ignition Tube Assembly with Gasket 9"
	97877S	Ignition Tube Assembly with Gasket 12"
6	87197S	Hot Surface Ignitor Assembly
7	46631S	Rear Ignitor assembly with boots 6"
	46656S	Rear Ignitor assembly with boots 9"
	46615S	Rear Ignitor assembly with boots 12"