

Submitted by: \_\_\_\_\_

Date: \_\_\_\_\_

Stamped Face Supply

Side Wall / Ceiling

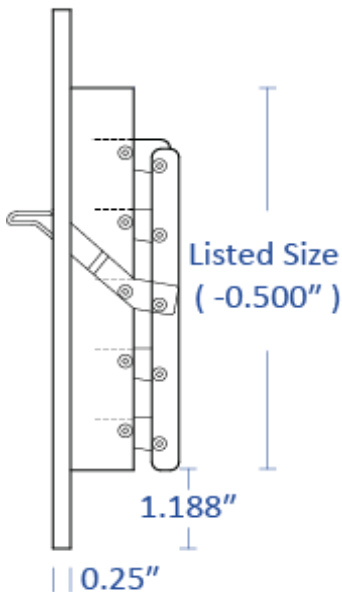
**Model:**



- Multi-shutter Damper
- Opposed Blade Damper

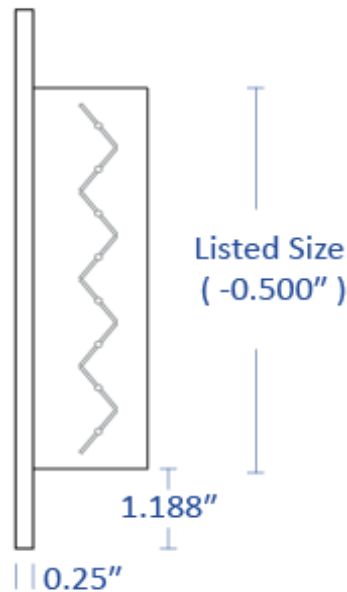
**Multi-Shutter Damper**

±1 7/16"±



**Opposed Blade Damper**

±1 11/16"±



**Model Features**

- Stamped 2 way air pattern
- 1/2" fin spacing with 45° blade angle
- Durable white powder coat finish

**Material:** Steel

**Face:** Stamped

**Model Size:**

Project Name: \_\_\_\_\_

Architect: \_\_\_\_\_

Project Location: \_\_\_\_\_

Engineer: \_\_\_\_\_

Contractor: \_\_\_\_\_